

### FEATURED MODEL

**157-090-CR**      **BLANCORADOS Kitchen Faucet in Polished Chrome**

### ADDITIONAL MODELS

**157-090-CR/CR**      **Polished Chrome with Polished Chrome Spray**

**157-090-ST**      **Stainless (Satin Nickel)**

**157-090-ST/ST**      **Stainless (Satin Nickel) with Stainless (Satin Nickel) Spray**

### FEATURES

- Solid brass body
- Ceramic disc cartridge
- Color coded hot & cold supply lines
- Durable spiral flexible pull-down spray hose
- Reversible mounting hardware adapts to thick or thin mounting surfaces
- 2.2 G.P.M. flow rate
- Installation in a 1-3/8" hole

### CODE/STANDARDS COMPLIANCE

ASME A112.18.1-2005  
 IAPMO Listed

### WARRANTY

Blanco America's Kitchen faucets feature a "NO HASSLE" LIMITED LIFETIME WARRANTY to be free of all manufacturing defects under normal use. See our complete warranty for details.

While Blanco America endeavors to provide accurate information, all dimensions are nominal, cannot be guaranteed, and are subject to change or cancellation. Blanco America assumes no responsibility for use of superseded or voided specifications.

### PRODUCT SPECIFICATION

Kitchen faucet to include lever handle and pull-down spray, with solid brass body and ceramic disc cartridge. Faucet dimensions to be as follows: Reach: 10"; Spout Height: 8-1/2". Hot and cold supply lines to be color coded. Reversible mounting hardware to adapt to thick or thin mounting surfaces. Kitchen faucet to be BLANCORADOS™, Model 157-090-\_\_\_\_\_in\_\_\_\_\_finish.

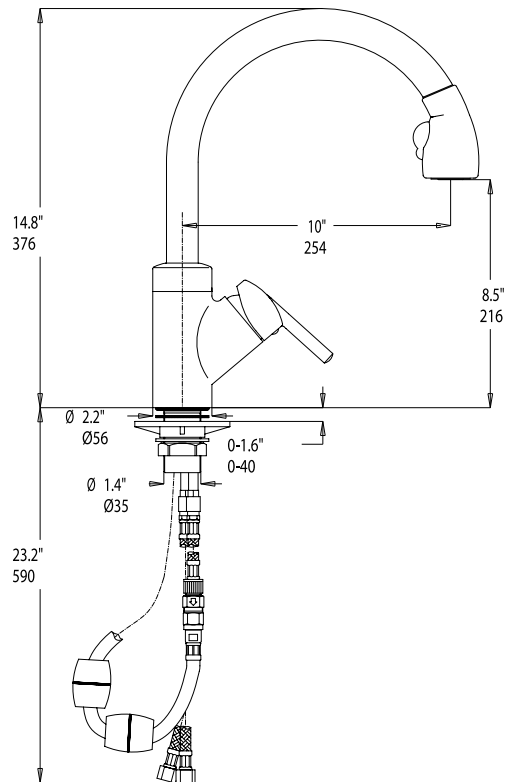
- Polished Chrome 157-090-CR
- Polished Chrome 157-090-CR/CR
- Stainless (Satin Nickel) 157-090-ST
- Stainless (Satin Nickel) 157-090-ST/ST



MODEL 157-090

### NOMINAL DIMENSIONS

| MODEL   | REACH | SPOUT HEIGHT | FAUCET HEIGHT |
|---------|-------|--------------|---------------|
| 157-090 | 10    | 8-1/2        | 15            |



See next page for exploded parts drawing and parts list.

### JOB INFORMATION

Job Name: \_\_\_\_\_

Contact: \_\_\_\_\_

Date Specified: \_\_\_\_\_

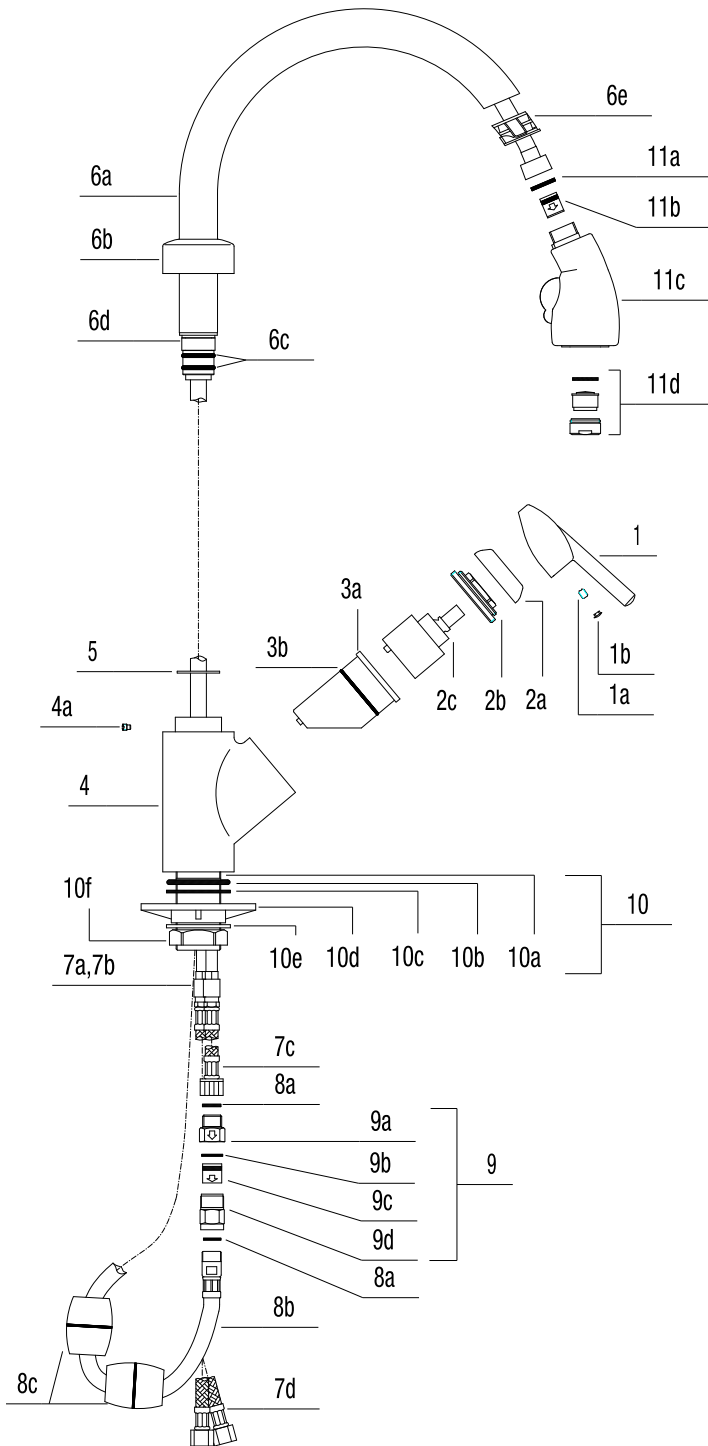
Specifier: \_\_\_\_\_

Contractor: \_\_\_\_\_

**BLANCO AMERICA**  
**800.451.5782**  
**www.blancoamerica.com**

### BLANCORADOS™

### MODEL 157-090



| NUM. | DOC. PART # | DESCRIPTION                  |
|------|-------------|------------------------------|
| 1    | 3312        | LEVER                        |
| 1a   | 2058        | SCREW                        |
| 1b   | 1270        | BUTTON                       |
| 2a   | 3303        | CAP                          |
| 2b   | 3311        | NUT                          |
| 2c   | 2408        | CARTRIDGE                    |
| 3a   | 3313        | INSERT                       |
| 3b   | 1.78X41     | O'RING                       |
| 4    | 3316        | BODY                         |
| 4a   | 467         | SCREW                        |
| 5    | 3307        | TEFLON RING                  |
| 6a   | 3382        | SPOUT                        |
| 6b   | 3376        | CAP                          |
| 6c   | 2.62X18.72  | O'RING                       |
| 6d   | 2623        | TEFLON RING                  |
| 6e   | 3371        | INSERT                       |
| 7a   | 3326        | EXTENSION OUTLET             |
| 7b   | 1.78X7.94   | O'RING                       |
| 7c   | 3330        | SUPPLY TUBE                  |
| 7d   | 2350        | HOSE                         |
| 8a   | 13.7X10X1.5 | FIBER                        |
| 8b   | 3377        | HOSE                         |
| 8c   | 2582        | WEIGHT                       |
| 9    | 1-3115      | CHECK VALVE ASSY             |
| 9a   | 3116        | NIPPLE                       |
| 9b   | 16.5X12X1.5 | FIBER                        |
| 9c   | 2419        | CHECK VALVE                  |
| 9d   | 3115        | CHECK VALVE BODY             |
| 10   | 1-3333      | MOUNTING NUT ASSY            |
| 10a  | 3304        | MOUNTING SLEEVE              |
| 10b  | 3.53X42.86  | O'RING                       |
| 10c  | 48X38X2     | RUBBER WASHER                |
| 10d  | 3109        | PLASTIC BASE                 |
| 10e  | 2258        | METAL WASHER                 |
| 10f  | 3333        | NUT                          |
| 11a  | 3381        | WASHER SCREEN                |
| 11b  | 1318        | FLOW REGULATOR W/CHECK VALVE |
| 11c  | 3302        | PULL-DOWN SPRAY              |
| 11d  | 1-680       | AERATOR SET                  |

## Free Manuals Download Website

<http://myh66.com>

<http://usermanuals.us>

<http://www.somanuals.com>

<http://www.4manuals.cc>

<http://www.manual-lib.com>

<http://www.404manual.com>

<http://www.luxmanual.com>

<http://aubethermostatmanual.com>

Golf course search by state

<http://golfingnear.com>

Email search by domain

<http://emailbydomain.com>

Auto manuals search

<http://auto.somanuals.com>

TV manuals search

<http://tv.somanuals.com>