

### FEATURED MODEL

**157-130-CR** BLANCOMERIDIAN™ Widespread with side spray in Polished Chrome

### ADDITIONAL MODELS

**157-130-ST** Stainless (Satin Nickel)

### FEATURES

- Solid brass body
- Ceramic disc cartridge
- Color coded hot & cold supply lines
- Reversible mounting hardware adapts to thick or thin mounting surfaces
- 2.2 G.P.M. flow rate
- Installation in a 1-3/8" hole

### CODE/STANDARDS COMPLIANCE

ASME A112.18.1-2005

IAPMO Listed

### WARRANTY

Blanco America's Kitchen faucets feature a "NO HASSLE" LIMITED LIFETIME WARRANTY to be free of all manufacturing defects under normal use. See our complete warranty for details.

While Blanco America endeavors to provide accurate information, all dimensions are nominal, cannot be guaranteed, and are subject to change or cancellation. Blanco America assumes no responsibility for use of superseded or voided specifications.

### PRODUCT SPECIFICATION

Kitchen faucet to include widespread cross handles with solid brass body, ceramic disc cartridge and side spray. Faucet dimensions to be as follows: Reach: 9-1/2"; Spout Height: 7-1/2". Hot and cold supply lines to be color coded. Reversible mounting hardware to adapt to thick or thin mounting surfaces. Kitchen faucet to be BLANCOMERIDIAN™ Widespread with side spray, Model 157-130-\_\_\_\_\_ in \_\_\_\_\_ finish.

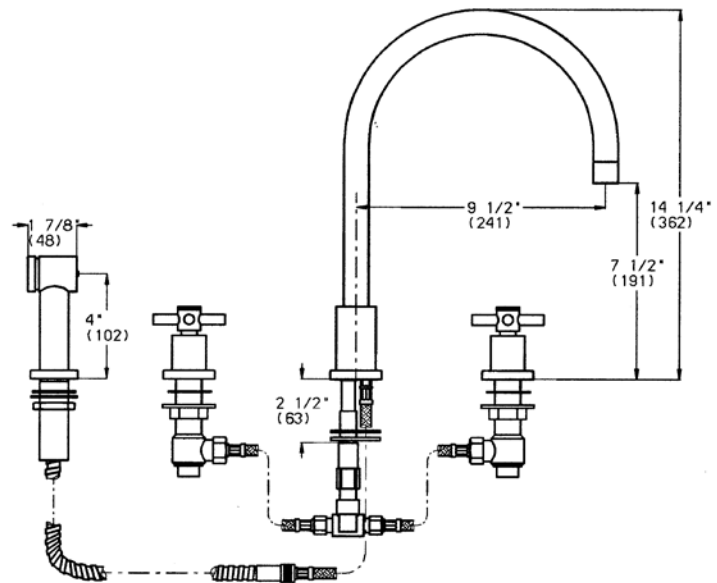
- Polished Chrome 157-130-CR
- Stainless (Satin Nickel) 157-130-ST



MODEL 157-130

### NOMINAL DIMENSIONS

MODEL	REACH	SPOUT HEIGHT	FAUCET HEIGHT
157-130	9-1/2	7-1/2	14-1/4



See next page for exploded parts drawing and parts list.

### JOB INFORMATION

Job Name: \_\_\_\_\_

Contact: \_\_\_\_\_

Date Specified: \_\_\_\_\_

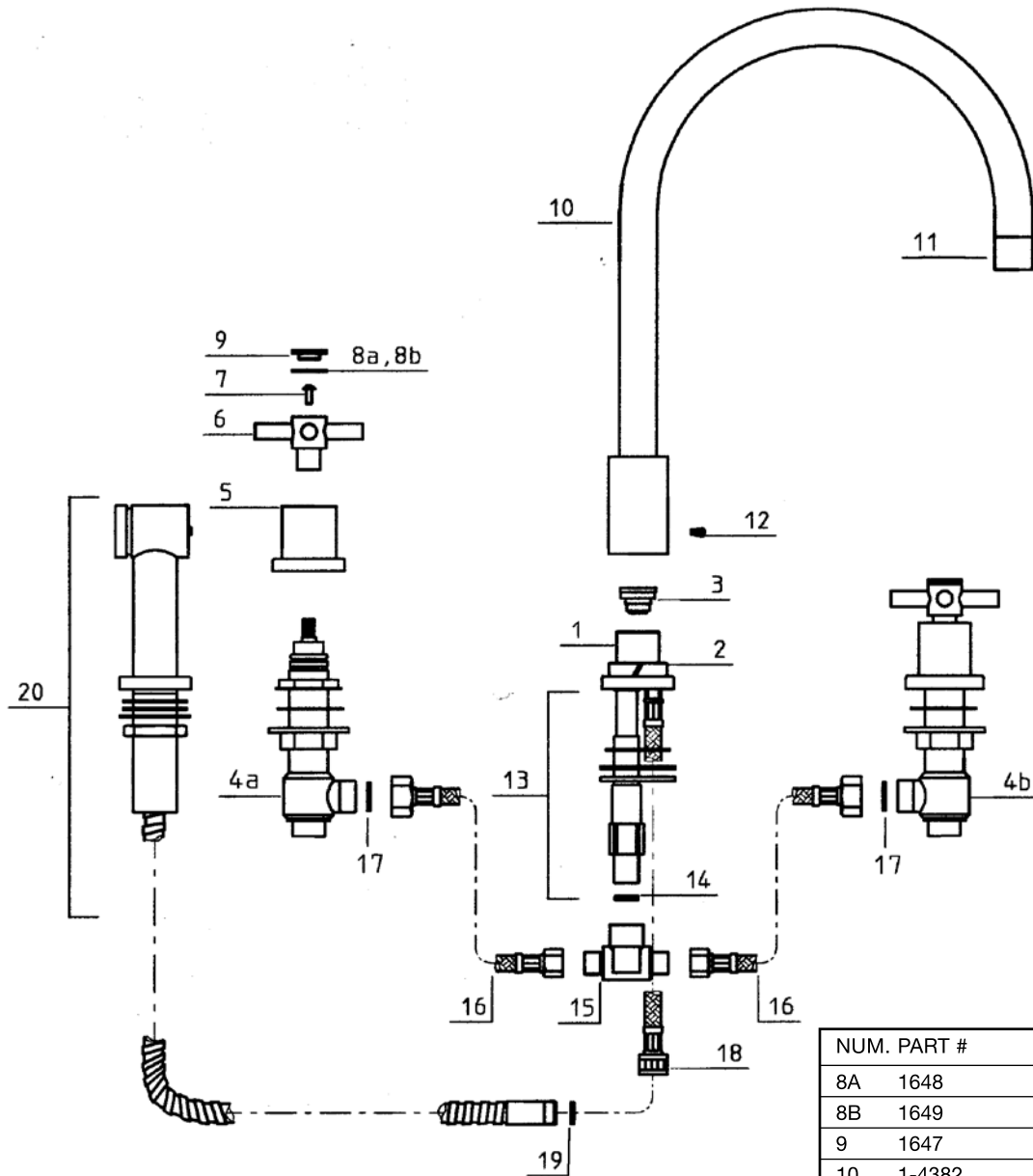
Specifier: \_\_\_\_\_

Contractor: \_\_\_\_\_

**BLANCO AMERICA**  
**800.451.5782**  
**www.blancoamerica.com**

### BLANCOMERIDIAN™ WIDESPREAD

### MODEL 157-130



NUM. PART #	DESCRIPTION
1 4383	BASE
2 4385	TEFLON RING
3 2453	DIVERTER
4A 3665	HEAD WORK ASSY LEFT
4B 3664	HEAD WORK ASSY RIGHT
5 4384	COVER
6 1645	LEVER
7 2312	SCREW

NUM. PART #	DESCRIPTION
8A 1648	RED RING
8B 1649	BLUE RING
9 1647	BUTTON
10 1-4382	SPOUT ASSY
11 1-4359	AERATOR SET
12 4058	SCREW
13 1-3548	MOUNTING NUT ASSY
14 14.5X8.5X2.5	RUBBER WASHER
15 1026	T-FITTING
16 1028	HOSE
17 18.5X11.9X1.5	FIBER WASHER
18 2360	SUPPLY TUBE
19 13.7X10X1.5	FIBER WASHER
20 1-4355	SIDE SPRAY

## Free Manuals Download Website

<http://myh66.com>

<http://usermanuals.us>

<http://www.somanuals.com>

<http://www.4manuals.cc>

<http://www.manual-lib.com>

<http://www.404manual.com>

<http://www.luxmanual.com>

<http://aubethermostatmanual.com>

Golf course search by state

<http://golfingnear.com>

Email search by domain

<http://emailbydomain.com>

Auto manuals search

<http://auto.somanuals.com>

TV manuals search

<http://tv.somanuals.com>