

### FEATURED MODEL

**157-131-ST** BLANCOMERIDIAN™ Widespread without side spray in Stainless (Satin Nickel)

### ADDITIONAL MODELS

**157-131-CR** Polished Chrome

### FEATURES

- Solid brass body
- Ceramic disc cartridge
- Color coded hot & cold supply lines
- Reversible mounting hardware adapts to thick or thin mounting surfaces
- 2.2 G.P.M. flow rate
- Installation in a 1-3/8" hole

### CODE/STANDARDS COMPLIANCE

ASME A112.18.1-2005  
 IAPMO Listed

### WARRANTY

Blanco America's Kitchen faucets feature a "NO HASSLE" LIMITED LIFETIME WARRANTY to be free of all manufacturing defects under normal use. See our complete warranty for details.

While Blanco America endeavors to provide accurate information, all dimensions are nominal, cannot be guaranteed, and are subject to change or cancellation. Blanco America assumes no responsibility for use of superseded or voided specifications.

### PRODUCT SPECIFICATION

Kitchen faucet to include widespread cross handles with solid brass body and ceramic disc cartridge. Faucet dimensions to be as follows: Reach: 9-1/2"; Spout Height: 7-1/2". Hot and cold supply lines to be color coded. Reversible mounting hardware to adapt to thick or thin mounting surfaces. Kitchen faucet to be BLANCOMERIDIAN™ Widespread, Model 157-131-\_\_\_\_\_ in \_\_\_\_\_ finish.

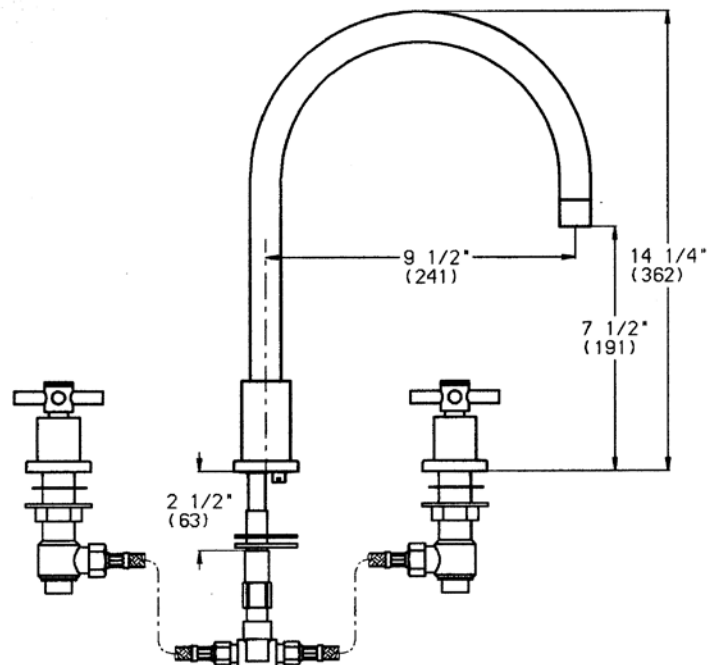
- Stainless (Satin Nickel) 157-131-ST
- Polished Chrome 157-131-CR



MODEL 157-131

### NOMINAL DIMENSIONS

MODEL	REACH	SPOUT HEIGHT	FAUCET HEIGHT
157-131	9-1/2	7-1/2	14-1/4



See next page for exploded parts drawing and parts list.

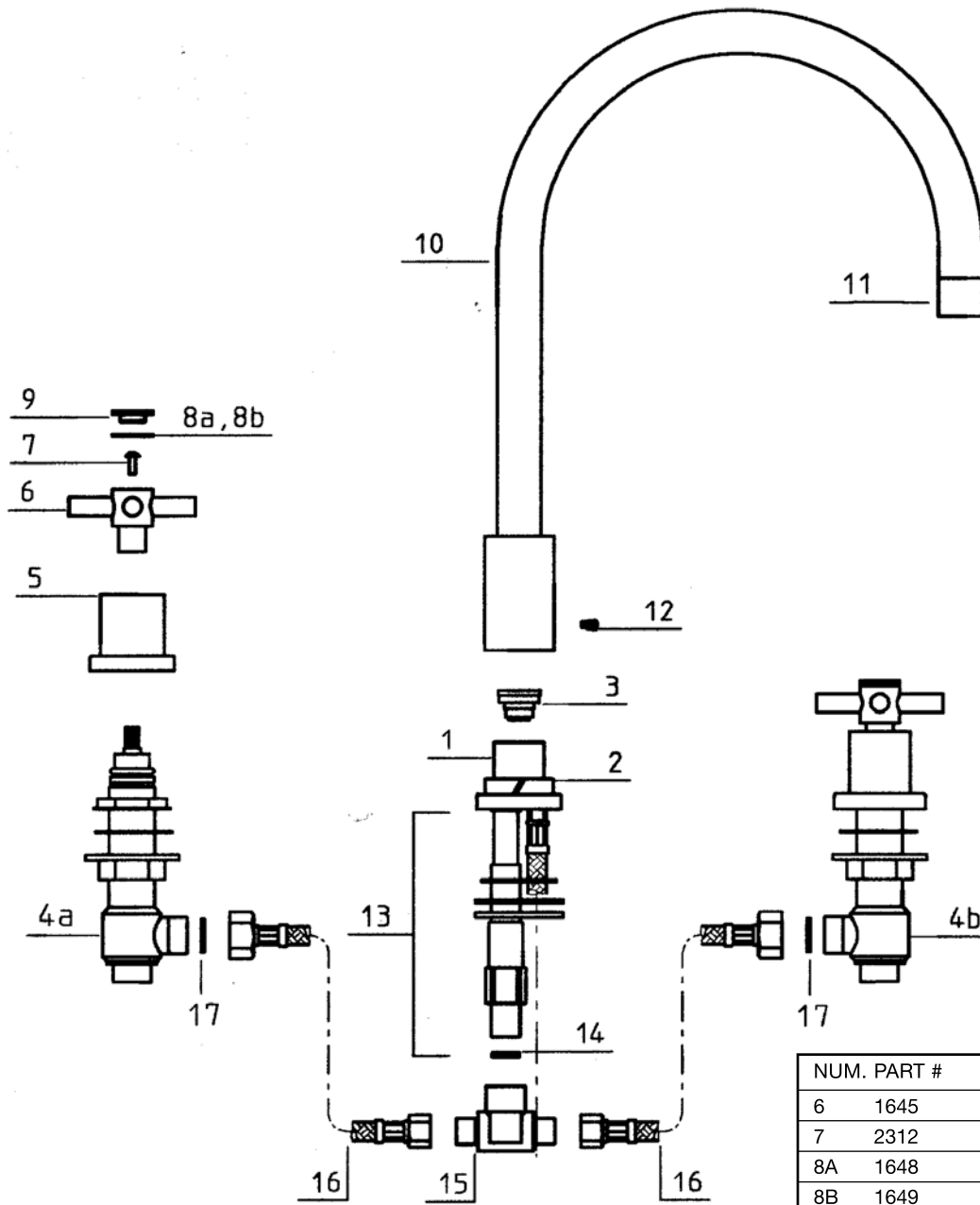
### JOB INFORMATION

Job Name: \_\_\_\_\_  
 Contact: \_\_\_\_\_  
 Date Specified: \_\_\_\_\_  
 Specifier: \_\_\_\_\_  
 Contractor: \_\_\_\_\_

**BLANCO AMERICA**  
**800.451.5782**  
**www.blancoamerica.com**

### BLANCOMERIDIAN™ WIDESPREAD

### MODEL 157-131



NUM. PART #	DESCRIPTION
1	4383 BASE
2	4385 TEFLON RING
3	2453 DIVERTER
4A	3665 HEAD WORK ASSY LEFT
4B	3664 HEAD WORK ASSY RIGHT
5	4384 COVER

NUM. PART #	DESCRIPTION
6	1645 LEVER
7	2312 SCREW
8A	1648 RED RING
8B	1649 BLUE RING
9	1647 BUTTON
10	1-4382 SPOUT ASSY
11	1-4359 AERATOR SET
12	4058 SCREW
13	1-3548 MOUNTING NUT ASSY
14	14.5X8.5X2.5 RUBBER WASHER
15	1026 T-FITTING
16	1028 HOSE
17	18.5X11.9X1.5 FIBER WASHER

## Free Manuals Download Website

<http://myh66.com>

<http://usermanuals.us>

<http://www.somanuals.com>

<http://www.4manuals.cc>

<http://www.manual-lib.com>

<http://www.404manual.com>

<http://www.luxmanual.com>

<http://aubethermostatmanual.com>

Golf course search by state

<http://golfingnear.com>

Email search by domain

<http://emailbydomain.com>

Auto manuals search

<http://auto.somanuals.com>

TV manuals search

<http://tv.somanuals.com>