

### FEATURED MODEL

**157-134-CR** BLANCOMERIDIAN™ Bridge with side spray in Polished Chrome

### ADDITIONAL MODELS

**157-134-ST** Stainless (Satin Nickel)

### FEATURES

- Solid brass body
- Ceramic disc cartridge
- Color coded hot & cold supply lines
- Reversible mounting hardware adapts to thick or thin mounting surfaces
- 2.2 G.P.M. flow rate
- Installation in a 1-3/8" hole
- Side spray is cold-water use only

### CODE/STANDARDS COMPLIANCE

ASME A112.18.1-2005  
 IAPMO Listed

### WARRANTY

Blanco America's Kitchen faucets feature a "NO HASSLE" LIMITED LIFETIME WARRANTY to be free of all manufacturing defects under normal use. See our complete warranty for details.

While Blanco America endeavors to provide accurate information, all dimensions are nominal, cannot be guaranteed, and are subject to change or cancellation. Blanco America assumes no responsibility for use of superseded or voided specifications.

### PRODUCT SPECIFICATION

Kitchen faucet to include bridge design with cross handles with solid brass body, ceramic disc cartridge and cold-water only side spray. Faucet dimensions to be as follows: Reach: 9-1/2"; Spout Height: 9-1/4". Hot and cold supply lines to be color coded. Reversible mounting hardware to adapt to thick or thin mounting surfaces. Kitchen faucet to be BLANCOMERIDIAN™ Bridge with side spray, Model 157-134-\_\_\_\_\_ in \_\_\_\_\_ finish.

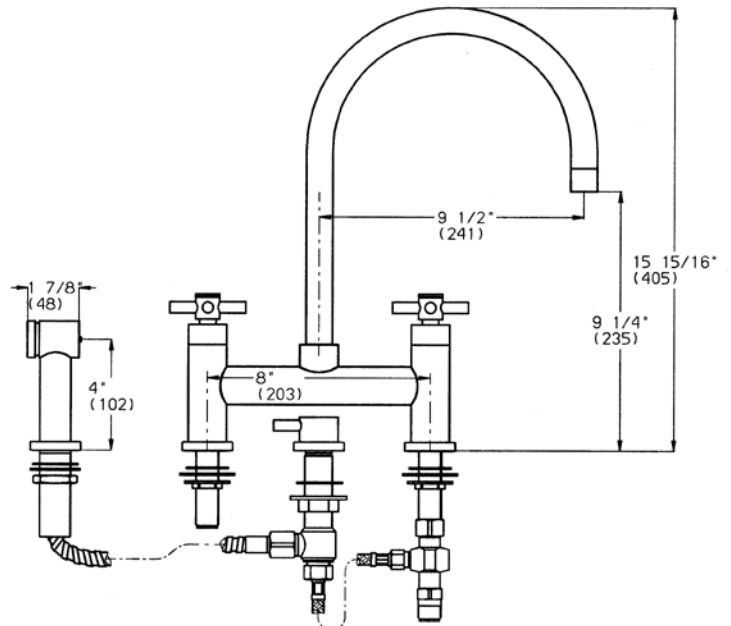
- Polished Chrome 157-134-CR
- Stainless (Satin Nickel) 157-134-ST



MODEL 157-134

### NOMINAL DIMENSIONS

MODEL	REACH	SPOUT HEIGHT	FAUCET HEIGHT
157-134	9-1/2	9-1/4	15-15/16



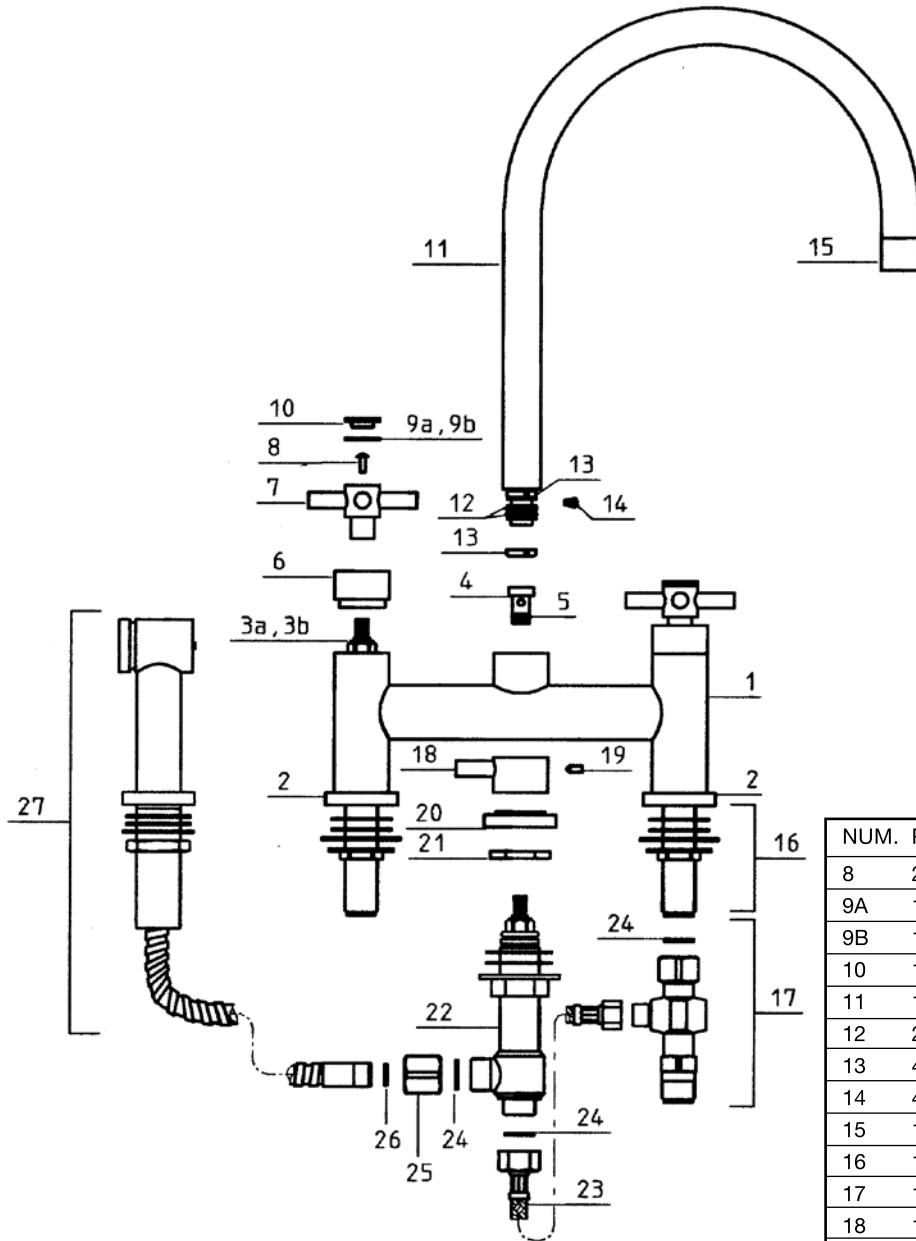
See next page for exploded parts drawing and parts list.

### JOB INFORMATION

Job Name: \_\_\_\_\_  
 Contact: \_\_\_\_\_  
 Date Specified: \_\_\_\_\_  
 Specifier: \_\_\_\_\_  
 Contractor: \_\_\_\_\_

**BLANCO AMERICA**  
**800.451.5782**  
**www.blancoamerica.com**

### BLANCOMERIDIAN™ BRIDGE MODEL 157-134



NUM.	PART #	DESCRIPTION
1	4361	BODY
2	4362	BASE
3A	315	HEAD WORK LEFT
3B	2614	HEAD WORK RIGHT
4	4358	PLUG
5	3.53X4.34	O-RING
6	4363	COVER
7	1645	LEVER

NUM.	PART #	DESCRIPTION
8	2312	SCREW
9A	1648	RED RING
9B	1649	BLUE RING
10	1647	BUTTON
11	1-4360	SPOUT ASSY
12	2.62X13.1	O-RING
13	4059	TEFLON RING
14	4058	SCREW
15	1-4359	AERATOR SET
16	1-853	MOUNTING NUT ASSY
17	1-4367	CONNECTOR ASSY
18	1-4350	HANDLE ASSY
19	3358	SCREW
20	4349	BASE
21	4348	NUT
22	3665	COLD WATER SIDE SPRAY VALVE
23	1028	HOSE
24	18.5X11.9X1.5	FIBER WASHER
25	4347	NIPPLE
26	13.7X10X1.5	FIBER WASHER
27	1-4355	COLD WATER SIDE SPRAY

## Free Manuals Download Website

<http://myh66.com>

<http://usermanuals.us>

<http://www.somanuals.com>

<http://www.4manuals.cc>

<http://www.manual-lib.com>

<http://www.404manual.com>

<http://www.luxmanual.com>

<http://aubethermostatmanual.com>

Golf course search by state

<http://golfingnear.com>

Email search by domain

<http://emailbydomain.com>

Auto manuals search

<http://auto.somanuals.com>

TV manuals search

<http://tv.somanuals.com>