

FEATURED MODEL

157-138-CR BLANCOTERRA™ Twin Handle with side spray in Polished Chrome

ADDITIONAL MODELS

157-138-ST Stainless
157-138-ORB Oil Rubbed Bronze

FEATURES

- Solid brass body and all metal side spray
- Ceramic disc cartridge
- Color coded hot & cold supply lines
- Reversible mounting hardware adapts to thick or thin mounting surfaces
- 2.2 G.P.M. flow rate
- Installation in a 1-3/8" hole, side spray in 1-3/8" hole

CODE/STANDARDS COMPLIANCE

ASME A112.18.1-2005
 IAPMO Listed

WARRANTY

Blanco America's Kitchen faucets in Chrome and Stainless feature a LIMITED LIFETIME WARRANTY to be free of all manufacturing defects under normal use. 5-YEAR LIMITED LIFETIME WARRANTY on Oil Rubbed Bronze. See our complete warranty for details.

While Blanco America endeavors to provide accurate information, all dimensions are nominal, cannot be guaranteed, and are subject to change or cancellation. Blanco America assumes no responsibility for use of superseded or voided specifications.

PRODUCT SPECIFICATION

Kitchen faucet to include twin lever handles with solid brass body, ceramic disc cartridge and all metal side spray. Faucet dimensions to be as follows: Reach: 9-11/16"; Spout Height: 7". Hot and cold supply lines to be color coded. Reversible mounting hardware to adapt to thick or thin mounting surfaces. Kitchen faucet to be BLANCOTERRA™ Twin Handle with side spray, Model 157-138-_____ in _____ finish.

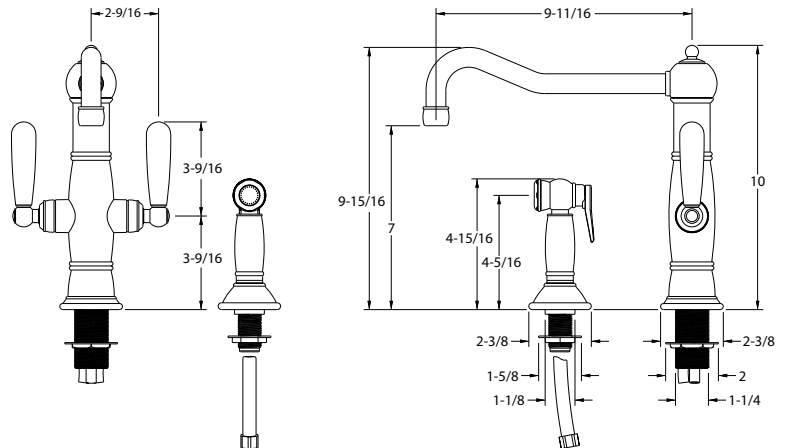
- Polished Chrome 157-138-CR
- Stainless 157-138-ST
- Oil Rubbed Bronze 157-138-ORB



MODEL 157-138

NOMINAL DIMENSIONS

MODEL	REACH	SPOUT HEIGHT	FAUCET HEIGHT
157-138	9-11/16	7	10



JOB INFORMATION

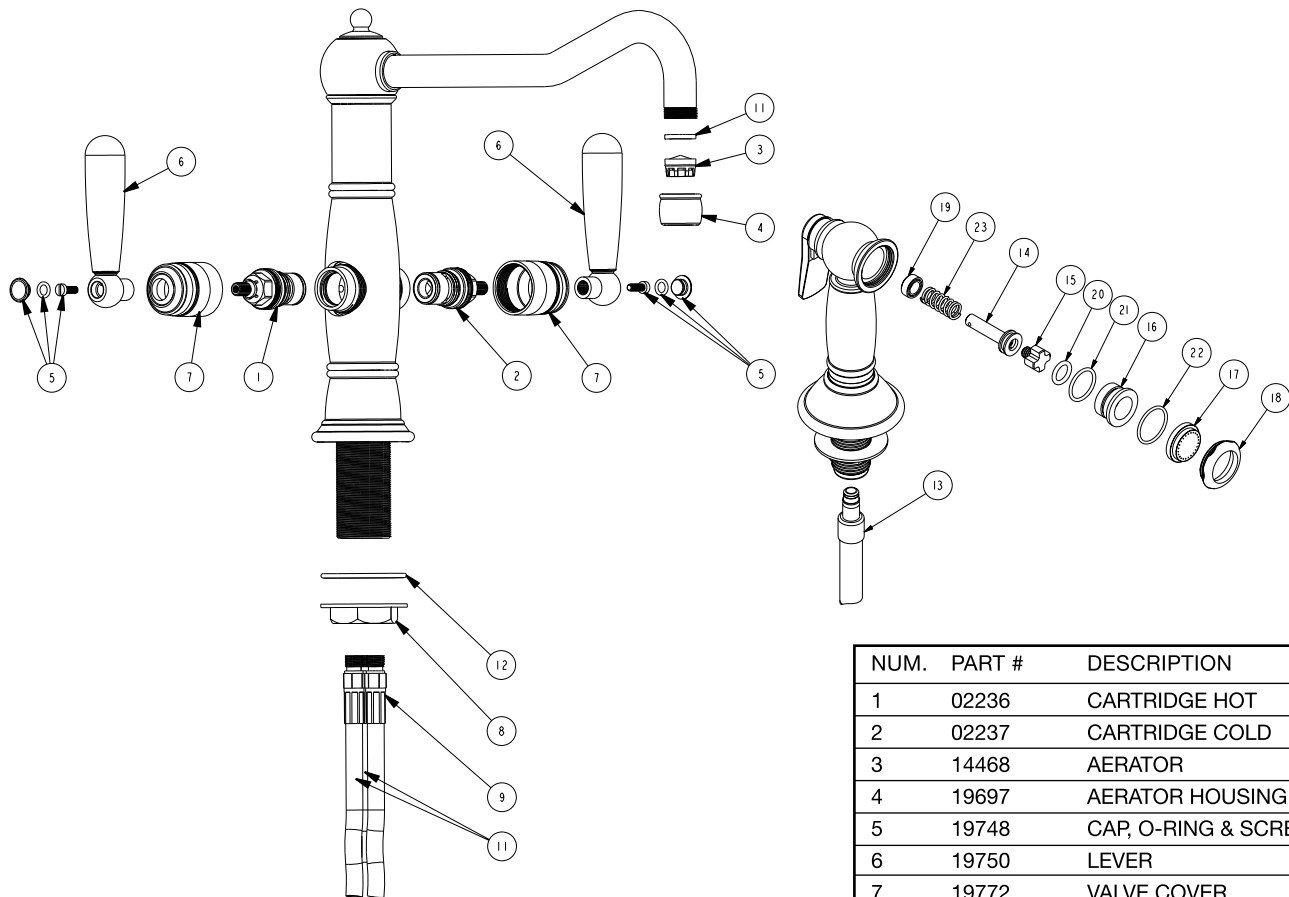
Job Name: _____
 Contact: _____
 Date Specified: _____
 Specifier: _____
 Contractor: _____

See next page for exploded parts drawing and parts list.

BLANCO AMERICA
800.451.5782
www.blancoamerica.com

BLANCOTERRA™ TWIN HANDLE

MODEL 157-138



NUM.	PART #	DESCRIPTION
1	02236	CARTRIDGE HOT
2	02237	CARTRIDGE COLD
3	14468	AERATOR
4	19697	AERATOR HOUSING
5	19748	CAP, O-RING & SCREW
6	19750	LEVER
7	19772	VALVE COVER
8	20083	NUT
9	20087	FLEX HOSE
10	20190	FLEX HOSE
11	91390	RUBBER WASHER
12	91794	O-RING
13	02819	FLEX HOSE
14	20074	ACTUATOR
15	20075	ACTUATOR GUIDE
16	20076	SEAL
17	20077	NOZZLE
18	20078	CAP
19	91920	ACTUATOR SEAL
20	91921	O-RING, ACTUATOR
21	91922	O-RING, SEAL
22	91923	O-RING, CAP
23	92251	SPRING

Free Manuals Download Website

<http://myh66.com>

<http://usermanuals.us>

<http://www.somanuals.com>

<http://www.4manuals.cc>

<http://www.manual-lib.com>

<http://www.404manual.com>

<http://www.luxmanual.com>

<http://aubethermostatmanual.com>

Golf course search by state

<http://golfingnear.com>

Email search by domain

<http://emailbydomain.com>

Auto manuals search

<http://auto.somanuals.com>

TV manuals search

<http://tv.somanuals.com>