

### FEATURED MODEL

**157-144-ORB** BLANCOTERRA™ Bridge without side spray in Oil Rubbed Bronze

### ADDITIONAL MODELS

**157-144-CR** Polished Chrome

**157-144-ST** Stainless (Satin Nickel)

### FEATURES

- Solid brass body
- Ceramic disc cartridge
- Color coded hot & cold supply lines
- Reversible mounting hardware adapts to thick or thin mounting surfaces
- 2.2 G.P.M. flow rate
- Installation in a 1-3/8" hole

### CODE/STANDARDS COMPLIANCE

ASME A112.18.1-2005

IAPMO Listed

### WARRANTY

Blanco America's Kitchen faucets in Chrome and Satin Nickel feature a LIMITED LIFETIME WARRANTY to be free of all manufacturing defects under normal use. 5-YEAR LIMITED LIFETIME WARRANTY on Oil Rubbed Bronze. See our complete warranty for details.

While Blanco America endeavors to provide accurate information, all dimensions are nominal, cannot be guaranteed, and are subject to change or cancellation. Blanco America assumes no responsibility for use of superseded or voided specifications.

### PRODUCT SPECIFICATION

Kitchen faucet to include bridge design with lever handles, solid brass body and ceramic disc cartridge. Faucet dimensions to be as follows: Reach: 9-11/16"; Spout Height: 7". Hot and cold supply lines to be color coded. Reversible mounting hardware to adapt to thick or thin mounting surfaces. Kitchen faucet to be BLANCOTERRA™ Bridge without side spray, Model 157-144-\_\_\_\_ in \_\_\_\_\_ finish.

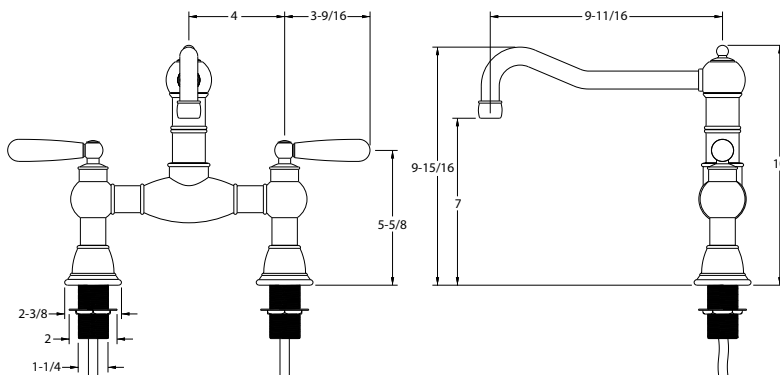
- Oil Rubbed Bronze 157-144-ORB
- Polished Chrome 157-144-CR
- Stainless (Satin Nickel) 157-144-ST



MODEL 157-144

### NOMINAL DIMENSIONS

MODEL	REACH	SPOUT HEIGHT	FAUCET HEIGHT
157-144	9-11/16	7	10



### JOB INFORMATION

Job Name: \_\_\_\_\_

Contact: \_\_\_\_\_

Date Specified: \_\_\_\_\_

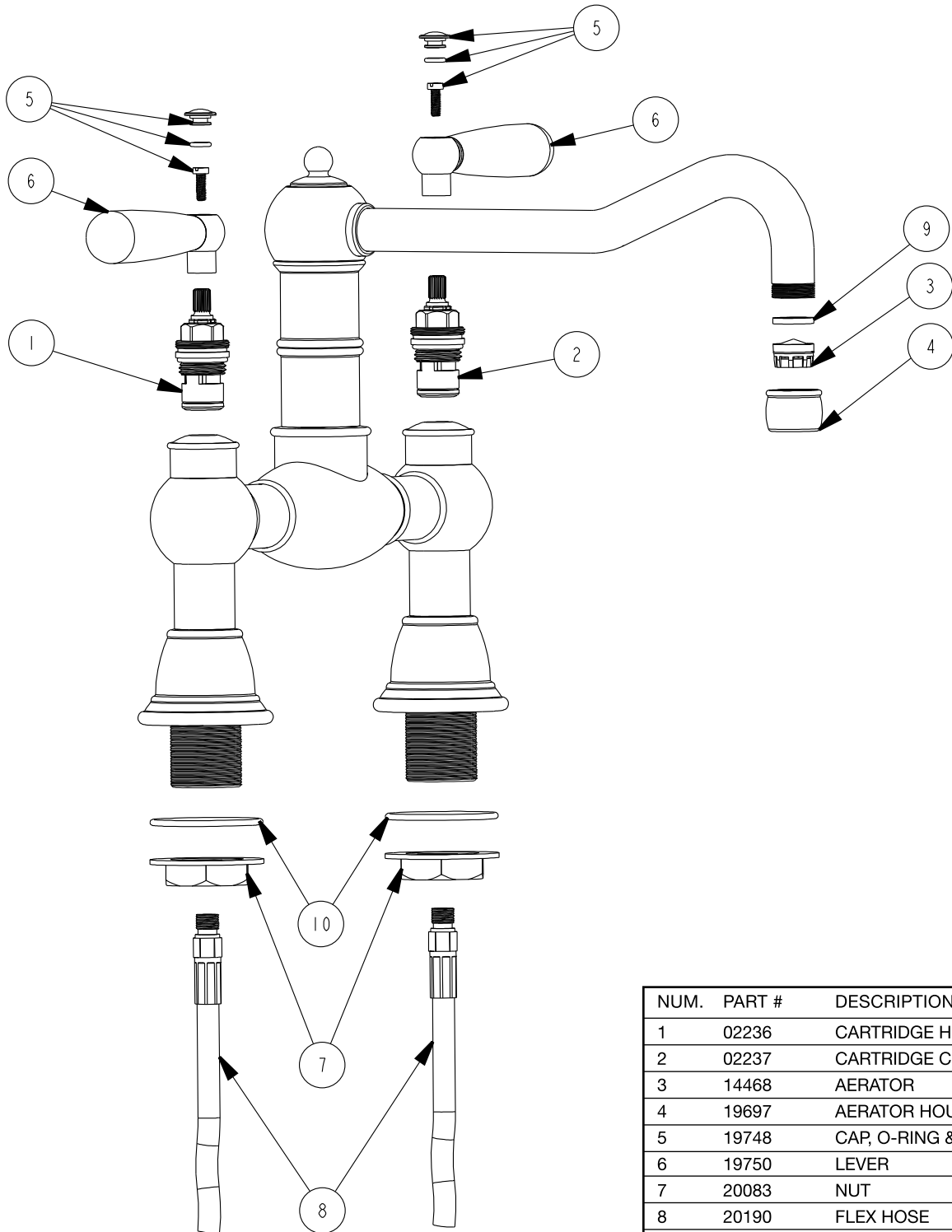
Specifier: \_\_\_\_\_

Contractor: \_\_\_\_\_

See next page for exploded parts drawing and parts list.

**BLANCO AMERICA**  
**800.451.5782**  
**www.blancoamerica.com**

### BLANCOTERRA™ BRIDGE MODEL 157-144



NUM.	PART #	DESCRIPTION
1	02236	CARTRIDGE HOT
2	02237	CARTRIDGE COLD
3	14468	AERATOR
4	19697	AERATOR HOUSING
5	19748	CAP, O-RING & SCREW
6	19750	LEVER
7	20083	NUT
8	20190	FLEX HOSE
9	91390	RUBBER WASHER
10	91794	O-RING

## Free Manuals Download Website

<http://myh66.com>

<http://usermanuals.us>

<http://www.somanuals.com>

<http://www.4manuals.cc>

<http://www.manual-lib.com>

<http://www.404manual.com>

<http://www.luxmanual.com>

<http://aubethermostatmanual.com>

Golf course search by state

<http://golfingnear.com>

Email search by domain

<http://emailbydomain.com>

Auto manuals search

<http://auto.somanuals.com>

TV manuals search

<http://tv.somanuals.com>