

### FEATURED MODEL

**157-182-CR** BLANCO MASTER ILUX™ Single Lever with Colored L.E.D. in Polished Chrome

### ADDITIONAL MODELS

**157-182-ST** Stainless

### FEATURES

- Solid brass body
- Ceramic disc cartridge
- Extra long supply lines
- Light-emitting diodes color the water jet with ultra-bright colored light to indicate the water temperature (red = hot, purple = tepid, blue = cold)
- Maximum 2.2 G.P.M. flow rate
- Turbine driven; no electrical connection necessary
- Installation in a 1-3/8" hole
- Minimum operating requirement of 3 Bar = 43.5 psi
- Includes 2 dirt filters for turbine protection

### CODE/STANDARDS COMPLIANCE

ASME A112.18.1-2005

NSF 61 Certified in conformance to the uniform plumbing code (UPC)

### WARRANTY

Blanco America's Kitchen faucets feature a LIMITED 5-YEAR WARRANTY to be free of all manufacturing defects under normal use. See our complete warranty for details.

While Blanco America endeavors to provide accurate information, all dimensions are nominal, cannot be guaranteed, and are subject to change or cancellation. Blanco America assumes no responsibility for use of superseded or voided specifications.

### PRODUCT SPECIFICATION

Kitchen faucet to include single lever handle, solid brass body and ceramic disc cartridge. Faucet dimensions to be as follows: Reach: 7-1/2"; Spout Height: 10-1/8", and Faucet Height: 13-1/2". L.E.D. colors the water jet to indicate hot and cold temperature. Kitchen faucet to be BLANCO MASTER ILUX™ Single Lever, Model 157-182-\_\_\_\_\_ in \_\_\_\_\_ finish.

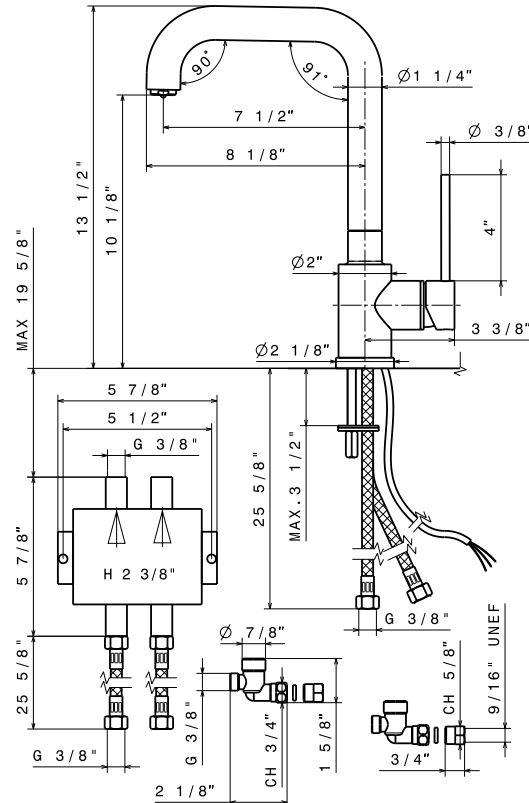
- Polished Chrome 157-182-CR
- Stainless 157-182-ST



MODEL 157-182

### NOMINAL DIMENSIONS

MODEL	REACH	SPOUT HEIGHT	FAUCET HEIGHT
157-182	7-1/2	10-1/8	13-1/2



### JOB INFORMATION

Job Name: \_\_\_\_\_

Contact: \_\_\_\_\_

Date Specified: \_\_\_\_\_

Specifier: \_\_\_\_\_

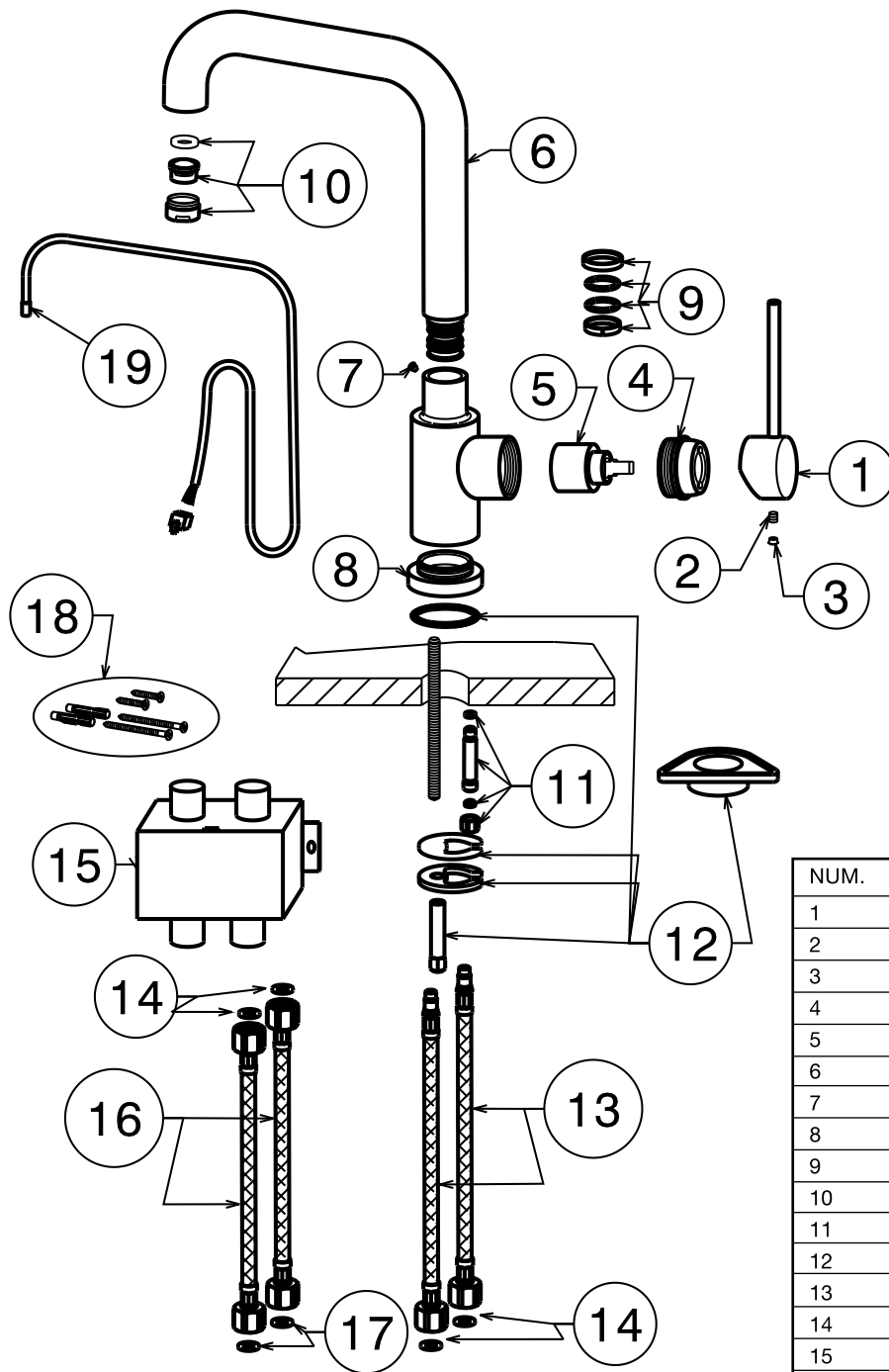
Contractor: \_\_\_\_\_

See next page for exploded parts drawing and parts list.

**BLANCO AMERICA**  
**800.451.5782**  
**www.blancoamerica.com**

### BLANCO MASTER ILUX™ SINGLE LEVER

### MODEL 157-182



NUM.	PART #	DESCRIPTION
1	17970	LEVER
2	10698	LEVER FIXING SCREW
3	16652	COVER SCREW
4	16034	CARTRIDGE LOCK NUT
5	14720	CARTRIDGE
6	20676	SPOUT
7	10235	SPOUT HOLDING SCREW
8	17950	BASE RING
9	14806	O-RINGS SET
10	54	JET REGULATOR
11	12860	MOUNTING SET
12	17973	FITTING TRIANGLE
13	18240	FLEXI-HOSE
14	13306	FLEXI-HOSE SEALS
15	12856	TURBINE UNIT
16	15043	FLEXI-HOSE FOR TURBINE UNIT
17	13306	FLEXI-HOSES SEALS
18	12347	MOUNT SET FOR TURBINE UNIT
19	20637	LED WITH CABLE, CONNECTOR

## Free Manuals Download Website

<http://myh66.com>

<http://usermanuals.us>

<http://www.somanuals.com>

<http://www.4manuals.cc>

<http://www.manual-lib.com>

<http://www.404manual.com>

<http://www.luxmanual.com>

<http://aubethermostatmanual.com>

Golf course search by state

<http://golfingnear.com>

Email search by domain

<http://emailbydomain.com>

Auto manuals search

<http://auto.somanuals.com>

TV manuals search

<http://tv.somanuals.com>