

### FEATURED MODEL

221-070 Biscuit, 9-1/2" & 9-1/2" bowl depths

### ADDITIONAL MODELS

221-068 Metallic Gray, 9-1/2" & 9-1/2" bowl depths

221-069 White, 9-1/2" & 9-1/2" bowl depths

221-071 Anthracite, 9-1/2" & 9-1/2" bowl depths

222-695 Café Brown, 9-1/2" & 9-1/2" bowl depths

### FEATURES

- 80% rock hard granite
- Color all the way through
- Highly resistant to scratching, staining and all household acids and alkali solutions
- Non-porous, easy-to-clean
- Heat resistant to 536° F
- Extremely hygienic, does not absorb odors or bacteria

### CODE/STANDARDS COMPLIANCE

ANSI Z124.6-97

IAPMO/UPC listed

### INCLUDED ACCESSORIES

3 Sink Grids

Walnut Cutting Board

Custom Stainless Steel Colander

### WARRANTY

Blanco America's SILGRANIT® Series sinks feature a LIMITED LIFETIME WARRANTY to be free of all manufacturing defects under normal use. See our complete warranty for details.

While Blanco America endeavors to provide accurate information, all dimensions are nominal, cannot be guaranteed, and are subject to change or cancellation. Blanco America assumes no responsibility for use of superseded or voided specifications.

### PRODUCT SPECIFICATION

Undermount sink to be multi-level bowl design, 48" in length and 20" in front-to-back depth. Sink to be made from Silgranit® hard composite material. Sink to feature two bowls with integrated drainer. Sink to be Blanco (Check one)

- Model 221-068       Model 221-069  
 Model 221-070       Model 221-071  
 Model 222-695

with left bowl depth of 9-1/2" and right bowl depth of 9-1/2".

- White 221-069       Biscuit 221-070  
 Anthracite 221-071       Metallic Gray 221-068  
 Café Brown 222-695

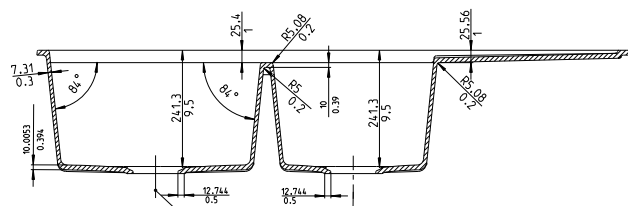
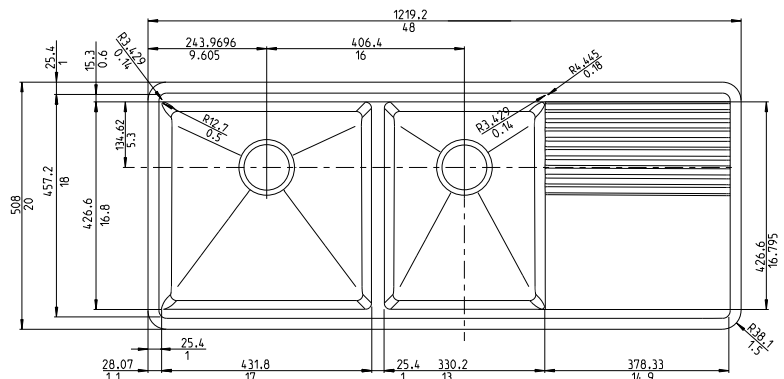


MODEL 221-070 Shown

### NOMINAL DIMENSIONS

OVERALL	CUTOUT SIZE	BOWL DEPTH		DRAIN DIAMETER	
		LEFT	RIGHT	LEFT	RIGHT
48 x 20	Template provided with approximate 1/8" reveal	9-1/2	9-1/2	3-1/2	3-1/2

DXF cutout templates available on our web site.



### JOB INFORMATION

Job Name: \_\_\_\_\_

Contact: \_\_\_\_\_

Date Specified: \_\_\_\_\_

Specifier: \_\_\_\_\_

Contractor: \_\_\_\_\_

**BLANCO AMERICA**  
**800.451.5782**  
**www.blancoamerica.com**

© 2008 BLANCO AMERICA

06/08

SPEC-003

## Free Manuals Download Website

<http://myh66.com>

<http://usermanuals.us>

<http://www.somanuals.com>

<http://www.4manuals.cc>

<http://www.manual-lib.com>

<http://www.404manual.com>

<http://www.luxmanual.com>

<http://aubethermostatmanual.com>

Golf course search by state

<http://golfingnear.com>

Email search by domain

<http://emailbydomain.com>

Auto manuals search

<http://auto.somanuals.com>

TV manuals search

<http://tv.somanuals.com>