

### FEATURED MODEL

500-336 6-1/2" bowl depth

### FEATURES

- 18 gauge, 304 series stainless steel
- 18/10 chrome/nickel content
- Long-lasting, easy-to-clean, satin polished finish
- Rear drain placement
- Sink can be undermounted

### CODE/STANDARDS COMPLIANCE

ASME 112.19.3-00

### OPTIONAL ACCESSORIES

Grid: 221-032 (Formerly 500-155)

### WARRANTY

Blanco America's Platinum Series sinks feature a "NO HASSLE" LIMITED LIFETIME WARRANTY to be free of all manufacturing defects under normal use. See our complete warranty for details.

While Blanco America endeavors to provide accurate information, all dimensions are nominal, cannot be guaranteed, and are subject to change or cancellation. Blanco America assumes no responsibility for use of superseded or voided specifications.

### PRODUCT SPECIFICATION

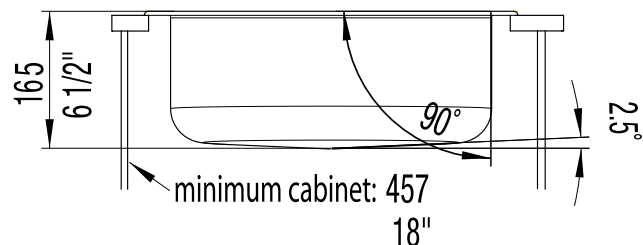
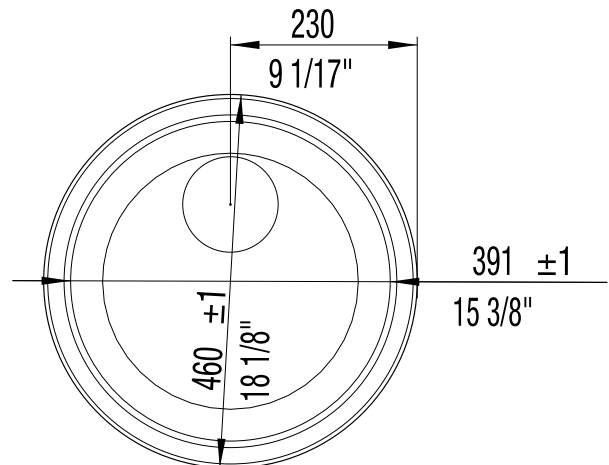
Drop-In sink to be bar sink design, 18-1/8" in diameter. Sink to be made from 18 gauge, 304 series stainless steel, with 18/10 chrome/nickel content and satin polished finish. Sink to feature rear drain placement. Sink to be Blanco Model 500-336, with bowl depth of 6-1/2".



MODEL 500-336

### NOMINAL DIMENSIONS

MODEL	OVERALL	CUTOUT SIZE	BOWL DEPTH	DRAIN DIAMETER
500-336	18-1/8	17-1/2	6-1/2	3-1/2



### JOB INFORMATION

Job Name: \_\_\_\_\_

Contact: \_\_\_\_\_

Date Specified: \_\_\_\_\_

Specifier: \_\_\_\_\_

Contractor: \_\_\_\_\_

**BLANCO AMERICA**  
 800.451.5782  
 www.blancoamerica.com

© 2007 BLANCO AMERICA  
 04/07 SPEC-003

## Free Manuals Download Website

<http://myh66.com>

<http://usermanuals.us>

<http://www.somanuals.com>

<http://www.4manuals.cc>

<http://www.manual-lib.com>

<http://www.404manual.com>

<http://www.luxmanual.com>

<http://aubethermostatmanual.com>

Golf course search by state

<http://golfingnear.com>

Email search by domain

<http://emailbydomain.com>

Auto manuals search

<http://auto.somanuals.com>

TV manuals search

<http://tv.somanuals.com>