

FEATURED MODEL

501-117-A 10-1/2" & 10-1/2" bowl depths

FEATURES

- 18 gauge, 304 series stainless steel (16 gauge apron)
- 18/8 chrome/nickel content
- Long-lasting, easy-to-clean, satin finish
- Center drain placement

OPTIONAL ACCESSORIES

Colander: 215-651

WARRANTY

Blanco America's BLANCOMAGNUM Series sinks feature a 15-year "NO HASSLE" LIMITED WARRANTY to be free of all manufacturing defects under normal use. See our complete warranty for details.

While Blanco America endeavors to provide accurate information, all dimensions are nominal, cannot be guaranteed, and are subject to change or cancellation. Blanco America assumes no responsibility for use of superseded or voided specifications.

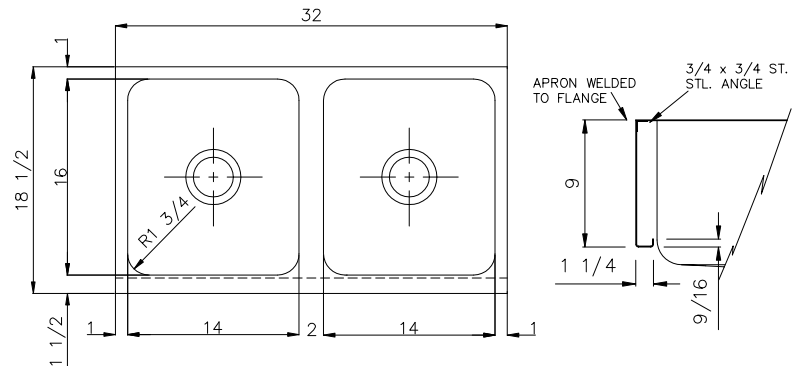


MODEL 501-117-A

NOMINAL DIMENSIONS

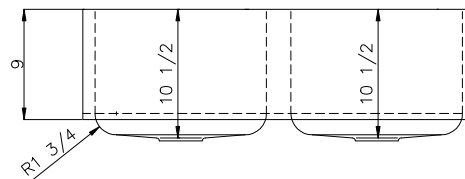
MODEL	OVERALL	BOWL DEPTH		DRAIN DIAMETER
		LEFT	RIGHT	
501-117-A	32 x 18-1/2	10-1/2	10-1/2	3-1/2

DXF cutout templates available on our web site or this specification CD.



PRODUCT SPECIFICATION

Undermount sink to be specialty double bowl design with 16 gauge apron, 32" in length and 18-1/2" in front-to-back depth. Sink to be made from 18 gauge, 304 series stainless steel, with 18/8 chrome/nickel content and satin finish. Sink to feature center drain placement. Sink to be Blanco Model 501-117-A, with left bowl depth of 10-1/2" and right bowl depth of 10-1/2".



JOB INFORMATION

Job Name: _____

Contact: _____

Date Specified: _____

Specifier: _____

Contractor: _____

BLANCO AMERICA
800.451.5782
www.blancoamerica.com

© 2004 BLANCO AMERICA
03/04 SPEC-003

Free Manuals Download Website

<http://myh66.com>

<http://usermanuals.us>

<http://www.somanuals.com>

<http://www.4manuals.cc>

<http://www.manual-lib.com>

<http://www.404manual.com>

<http://www.luxmanual.com>

<http://aubethermostatmanual.com>

Golf course search by state

<http://golfingnear.com>

Email search by domain

<http://emailbydomain.com>

Auto manuals search

<http://auto.somanuals.com>

TV manuals search

<http://tv.somanuals.com>