

### FEATURED MODEL

501-306 8-1/2" & 8-1/2" bowl depths

### FEATURES

- 18 gauge, 304 series stainless steel
- 18/8 chrome/nickel content
- Long-lasting, easy-to-clean, satin finish
- Rear drain placement

### OPTIONAL ACCESSORIES

Sink Grid: 221-035 (Formerly 501-916)

Colander: 215-651

### WARRANTY

Blanco America's BLANCOSPEX PLUS™ Series sinks feature a "NO HASSLE" LIMITED LIFETIME WARRANTY to be free of all manufacturing defects under normal use. See our complete warranty for details.

While Blanco America endeavors to provide accurate information, all dimensions are nominal, cannot be guaranteed, and are subject to change or cancellation. Blanco America assumes no responsibility for use of superseded or voided specifications.

### PRODUCT SPECIFICATION

Undermount sink to be equal double bowl design, 31-1/8" in length and 18" in front-to-back depth. Sink to be made from 18 gauge, 304 series stainless steel, with 18/8 chrome/nickel content and satin finish. Sink to feature rear drain placement. Sink to be Blanco Model 501-306, with left bowl depth of 8-1/2" and right bowl depth of 8-1/2".

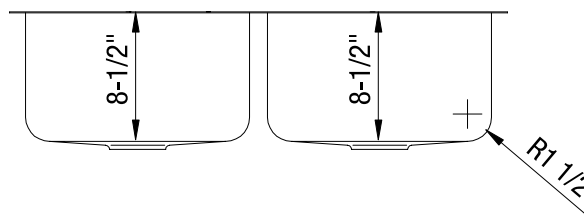
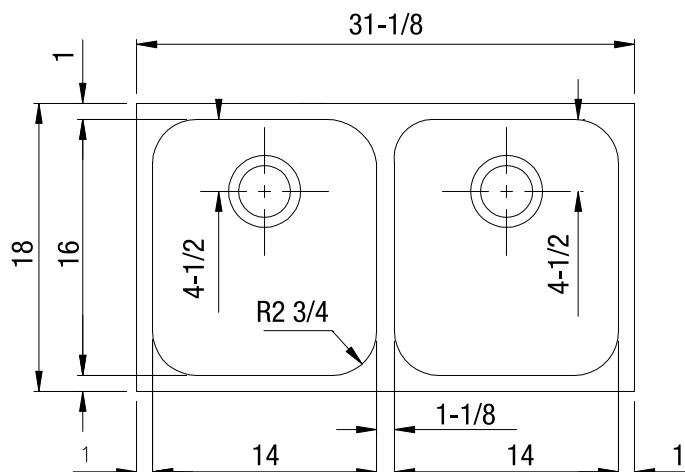


MODEL 501-306

### NOMINAL DIMENSIONS

| MODEL   | OVERALL     | CUTOUT SIZE                                    | BOWL DEPTH LEFT | BOWL DEPTH RIGHT | DRAIN DIAMETER |
|---------|-------------|--|-----------------|------------------|----------------|
| 501-306 | 31-1/8 x 18 | Template provided with approximate 1/8" reveal | 8-1/2           | 8-1/2            | 3-1/2          |

DXF cutout templates available on our web site.



### JOB INFORMATION

Job Name: \_\_\_\_\_

Contact: \_\_\_\_\_

Date Specified: \_\_\_\_\_

Specifier: \_\_\_\_\_

Contractor: \_\_\_\_\_

**BLANCO AMERICA**  
**800.451.5782**  
**www.blancoamerica.com**

© 2007 BLANCO AMERICA  
 04/07 SPEC-003

## Free Manuals Download Website

<http://myh66.com>

<http://usermanuals.us>

<http://www.somanuals.com>

<http://www.4manuals.cc>

<http://www.manual-lib.com>

<http://www.404manual.com>

<http://www.luxmanual.com>

<http://aubethermostatmanual.com>

Golf course search by state

<http://golfingnear.com>

Email search by domain

<http://emailbydomain.com>

Auto manuals search

<http://auto.somanuals.com>

TV manuals search

<http://tv.somanuals.com>