

### FEATURED MODEL

513-685 10" bowl depth

### ADDITIONAL MODELS

- 513-691 Large Bowl with Drainboard
- 513-692 Super Single Bowl with Drainboard
- 513-686 Super Single Bowl without Drainboard

### FEATURES

- 18 gauge, 304 series stainless steel
- 18/10 chrome/nickel content
- Handcrafted from a single panel of stainless steel
- 10mm radius corners
- Elegant and functional drain grooves
- Long-lasting, easy-to-clean, satin polished finish
- Sound-deadening insulation
- Rear drain placement

### CODE/STANDARDS COMPLIANCE

ASME 112.19.3-00  
 IAPMO/UPC listed

### OPTIONAL ACCESSORY

- Sink Grids: 512-945
- Colander: 215-651, 218-772
- Cutting Board: 218-620

### WARRANTY

Blanco America's BLANCOPRECISION™ 10 sinks feature a "NO HASSLE" LIMITED LIFETIME WARRANTY to be free of all manufacturing defects under normal use. See our complete warranty for details.

While Blanco America endeavors to provide accurate information, all dimensions are nominal, cannot be guaranteed, and are subject to change or cancellation. Blanco America assumes no responsibility for use of superseded or voided specifications.

### PRODUCT SPECIFICATION

Undermount sink to be 23" in length and 20" in front-to-back depth. Sink to be handcrafted from a single panel of 18 gauge, 304 series stainless steel, with 18/10 chrome/nickel content and satin polished finish. Sink to feature 10mm radius corners and rear drain placement. Sink to be Blanco Model 513-685, with bowl depth of 10".

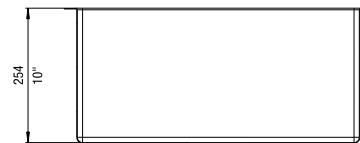
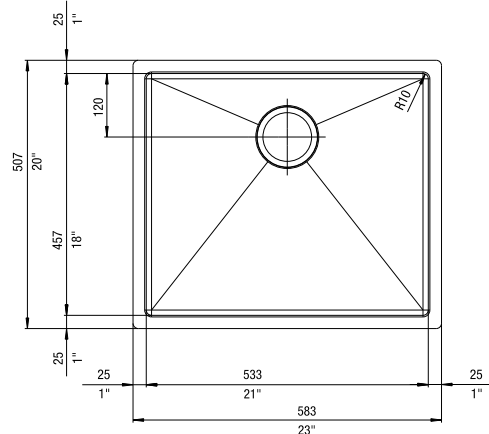


MODEL 513-685

### NOMINAL DIMENSIONS

MODEL	OVERALL	BOWL DEPTH	DRAIN DIAMETER
513-685	23 x 20	10	3-1/2

DXF cutout templates available on our web site or this specification CD.



### JOB INFORMATION

Job Name: \_\_\_\_\_

Contact: \_\_\_\_\_

Date Specified: \_\_\_\_\_

Specifier: \_\_\_\_\_

Contractor: \_\_\_\_\_

**BLANCO AMERICA**  
**800.451.5782**  
**www.blancoamerica.com**

© 2006 BLANCO AMERICA  
 05/06 SPEC-003

## Free Manuals Download Website

<http://myh66.com>

<http://usermanuals.us>

<http://www.somanuals.com>

<http://www.4manuals.cc>

<http://www.manual-lib.com>

<http://www.404manual.com>

<http://www.luxmanual.com>

<http://aubethermostatmanual.com>

Golf course search by state

<http://golfingnear.com>

Email search by domain

<http://emailbydomain.com>

Auto manuals search

<http://auto.somanuals.com>

TV manuals search

<http://tv.somanuals.com>