

FEATURED MODEL

513-688 10" and 10" bowl depths

ADDITIONAL MODELS

513-694 1-3/4 Bowl with Drainboard

FEATURES

- 18 gauge, 304 series stainless steel
- 18/10 chrome/nickel content
- Handcrafted from a single panel of stainless steel
- 10mm radius corners
- Elegant and functional drain grooves
- Long-lasting, easy-to-clean, satin polished finish
- Sound-deadening insulation
- Rear drain placement

CODE/STANDARDS COMPLIANCE

ASME 112.19.3-00

IAPMO/UPC listed

OPTIONAL ACCESSORY

Sink Grids: 512-940, 512-941

Colander: 215-651, 218-772

Cutting Board: 218-620

WARRANTY

Blanco America's BLANCOPRECISION™ 10 sinks feature a "NO HASSLE" LIMITED LIFETIME WARRANTY to be free of all manufacturing defects under normal use. See our complete warranty for details.

While Blanco America endeavors to provide accurate information, all dimensions are nominal, cannot be guaranteed, and are subject to change or cancellation. Blanco America assumes no responsibility for use of superseded or voided specifications.

PRODUCT SPECIFICATION

Undermount sink to be 33" in length and 20" in front-to-back depth. Sink to be handcrafted from a single panel of 18 gauge, 304 series stainless steel, with 18/10 chrome/nickel content and satin polished finish. Sink to feature 10mm radius corners and rear drain placement. Sink to be Blanco Model 513-688, with left bowl depth of 10" and right bowl depth of 10".

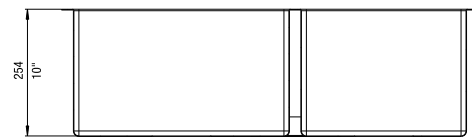
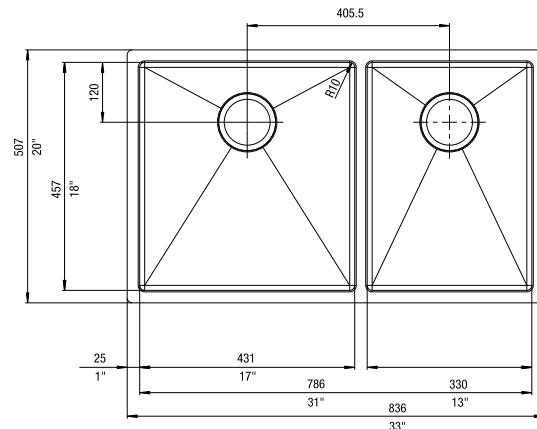


MODEL 513-688

NOMINAL DIMENSIONS

MODEL	OVERALL	BOWL DEPTH		DRAIN DIAMETER
		LEFT	RIGHT	
513-688	33 x 20	10	10	3-1/2

DXF cutout templates available on our web site or this specification CD.



JOB INFORMATION

Job Name: _____

Contact: _____

Date Specified: _____

Specifier: _____

Contractor: _____

BLANCO AMERICA
800.451.5782
www.blancoamerica.com

© 2006 BLANCO AMERICA
 05/06

SPEC-003

Free Manuals Download Website

<http://myh66.com>

<http://usermanuals.us>

<http://www.somanuals.com>

<http://www.4manuals.cc>

<http://www.manual-lib.com>

<http://www.404manual.com>

<http://www.luxmanual.com>

<http://aubethermostatmanual.com>

Golf course search by state

<http://golfingnear.com>

Email search by domain

<http://emailbydomain.com>

Auto manuals search

<http://auto.somanuals.com>

TV manuals search

<http://tv.somanuals.com>