

### FEATURED MODEL

514-473 6-3/4" & 9" bowl depths

### ADDITIONAL MODELS

- 511-749 Left side large bowl, 8" & 6-3/4" bowl depths
- 511-749R Right side large bowl, 6-3/4" & 8" bowl depths
- 511-750 Left side large bowl, 10" & 6-3/4" bowl depths
- 511-750R Right side large bowl, 6-3/4" & 10" bowl depths
- 514-472 Left side large bowl, 9" & 6-3/4" bowl depths

### FEATURES

- 18 gauge, 304 series stainless steel
- 18/10 chrome/nickel content
- Long-lasting, easy-to-clean, satin polished finish
- Rear drain placement

### CODE/STANDARDS COMPLIANCE

ASME 112.19.3-00  
IAPMO/UPC listed

### OPTIONAL ACCESSORIES

- Sink Grids: 220-994 (Formerly 511-920)  
220-995 (Formerly 511-921)
- Colanders: 215-651, 510-889  
221-026 (Formerly 508-802)

### WARRANTY

Blanco America's Platinum Series sinks feature a "NO HASSLE" LIMITED LIFETIME WARRANTY to be free of all manufacturing defects under normal use. See our complete warranty for details.

While Blanco America endeavors to provide accurate information, all dimensions are nominal, cannot be guaranteed, and are subject to change or cancellation. Blanco America assumes no responsibility for use of superseded or voided specifications.

### PRODUCT SPECIFICATION

Reverse bowl undermount sink to be 1-1/2 bowl design, 31-1/2" in length and 20-7/8" in front-to-back depth. Sink to be made from 18 gauge, 304 series stainless steel, with 18/10 chrome/nickel content and satin polished finish. Sink to feature rear drain placement. Sink to be Blanco Model 514-473, with large bowl depth of 9" and small bowl depth of 6-3/4".

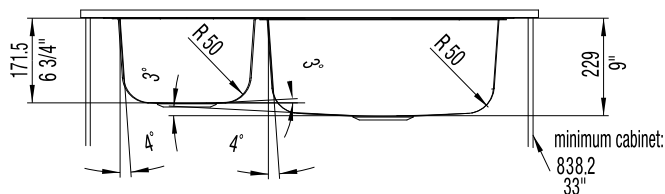
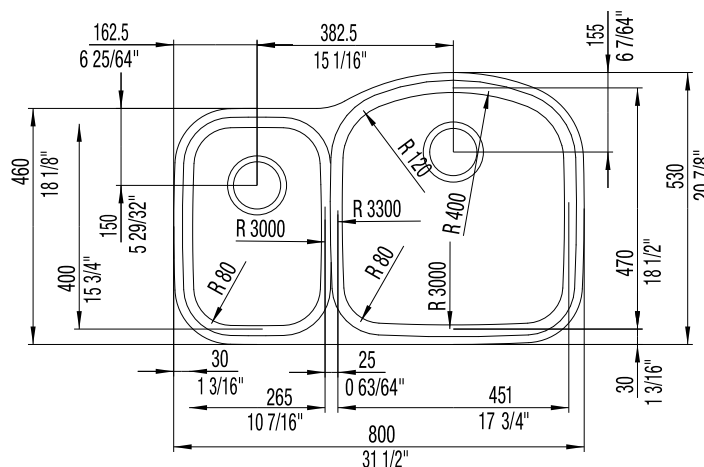


MODEL 514-473

### NOMINAL DIMENSIONS

MODEL	OVERALL	CUTOUT SIZE	BOWL DEPTH		DRAIN DIAMETER
			LEFT	RIGHT	
514-473	31-1/2 x 20-7/8	Template provided with approximate 1/8" reveal	6-3/4	9	3-1/2

DXF cutout templates available on our web site.



### JOB INFORMATION

Job Name: \_\_\_\_\_

Contact: \_\_\_\_\_

Date Specified: \_\_\_\_\_

Specifier: \_\_\_\_\_

Contractor: \_\_\_\_\_

**BLANCO AMERICA**  
800.451.5782  
www.blancoamerica.com

© 2007 BLANCO AMERICA  
04/07 SPEC-003

## Free Manuals Download Website

<http://myh66.com>

<http://usermanuals.us>

<http://www.somanuals.com>

<http://www.4manuals.cc>

<http://www.manual-lib.com>

<http://www.404manual.com>

<http://www.luxmanual.com>

<http://aubethermostatmanual.com>

Golf course search by state

<http://golfingnear.com>

Email search by domain

<http://emailbydomain.com>

Auto manuals search

<http://auto.somanuals.com>

TV manuals search

<http://tv.somanuals.com>