

1999

**BMW E36 Coupe
and Convertible
318is/C, 323is/C,
328is/C, M3**

Electrical

Troubleshooting

Manual

Vehicles produced 9/98 to 8/99



ELECTRICAL TROUBLESHOOTING MANUAL

SERIES 3 – E36 (318i, 323i, 328i, M3, COUPE AND CONVERTIBLE)

SCHEMATICS

MODEL YEAR 1999

0100.0	INDEX	5116.0	POWER MIRRORS
0110.0	INTRODUCTION	5120.0	ZKE DOOR LOCK HEATING (TSH)
0140.0	SYMBOLS	5126.0	ZKE CENTRAL LOCKING (ZV)
0670.0	POWER DISTRIBUTION CHART	5133.1	POWER WINDOWS (FH)
0670.1	FUSE CHART	5200.0	POWER SEATS
0670.2	POWER DISTRIBUTION	5203.0	HEATED SEATS
0670.3	FUSE DETAILS	5410.1	POWER TILT/SLIDE SUNROOF (SHD)
0670.4	GROUND DISTRIBUTION	5430.1	ELECTRICAL CONVERTIBLE TOP
0670.5	DATA LINK	6100.0	CENTRAL BODY ELECTRONICS (ZKE IV)
1210.17	ENGINE CONTROL SYSTEM MS41.1 (6-CYLINDER M52)	6133.0	HORN
1210.20	ENGINE CONTROL SYSTEM (DME M5.2, 4-CYLINDER M44)	6135.0	DRIVE-AWAY PROTECTION (EWS II)
1230.0	CHARGING SYSTEM	6160.1	WIPER/WASHER MODULE (WWM)
1240.0	START	6167.1	HEADLIGHT WASHER (SRA)
2460.2	ELECTRONIC TRANSMISSION CONTROL (EGS A4S 270R)	6169.0	WINDSHIELD WASHER JET HEATERS
2460.4	ELECTRONIC TRANSMISSION CONTROL (EGS A5S 310Z)	6211.0	INSTRUMENT CLUSTER
3234.0	SUPPLEMENTAL RESTRAINT SYSTEM (AIR BAG)	6213.1	ANALOG CLOCK
3450.1	SLIP CONTROL (ABS/ASC)	6213.2	MULTI-FUNCTION CLOCK
		6214.0	ON-BOARD DISPLAY

6300.0	LIGHT SWITCH DETAILS	6424.0	REAR WINDOW DEFOGGER/ ANTENNA
6312.0	HEADLIGHTS/FOG LIGHTS	6450.7	INTEGRATED CLIMATE REGULATION (IHKA E36)
6313.0	TURN/HAZARD LIGHTS	6510.0	RADIO/STEREO
6314.0	PARK/TAIL LIGHTS	6510.1	RADIO/HIFI/TOP HIFI
6320.0	LICENSE PLATE/LUGGAGE COMPARTMENT LIGHTS	6561.0	CELLULAR TELEPHONE (PROVISIONS)
6322.0	BACK UP LIGHTS	6571.0	CRUISE CONTROL (TEMPOMAT)
6325.0	BRAKE LIGHTS	6575.2	ANTI-THEFT SYSTEM (ALPINE)
6330.3	INTERIOR LIGHTS	6581.2	ON-BOARD COMPUTER (BC V)
6332.1	GLOVE BOX LIGHT/CASSETTE BOX/ASHTRAY LIGHT/CHARGING SOCKET/CIGAR LIGHTER	7000.0	COMPONENT LOCATION CHART
6350.0	CRASH CONTROL MODULE	7100.0	COMPONENT LOCATION VIEWS
6410.5	HEATING CONTROL (HR)	8000.0	SPLICE LOCATION VIEWS
6412.10	PARK VENTILATION WITH HR	8500.0	CONNECTOR VIEWS
6412.20	PARK VENTILATION WITH IHKA E36		



0100.0 INDEX

ABS HYDRAULIC UNIT, Y1	3450.1-06
ABS HYDRAULIC UNIT, Y1w	3450.1-01
ABS PEDAL TRAVEL SENSOR, S123	3450.1-01
ABS PUMP MOTOR RELAY, TIMED, K125	3450.1-00
ABS PUMP MOTOR RELAY, TIMED, K125	3450.1-05
ABS RELAY, K10	3450.1-00
AIR BAG GAS GENERATOR, DRIVER'S, G5	3234.0-00
AIR BAG GAS GENERATOR, LEFT SIDE, G14	3234.0-01
AIR BAG GAS GENERATOR, PASSENGER'S, G6	3234.0-00
AIR BAG GAS GENERATOR, RIGHT SIDE, G15	3234.0-01
AIR CONDITIONING COMPRESSOR, Y2	6450.7-04
AIR PUMP, Y6133	1210.17-05
AIR PUMP, Y6133	1210.20-09
ANALOG CLOCK	6213.1-00
ANALOG CLOCK, N5	6213.1-00
ANTENNA AMPLIFIER AM/FM, N8	6424.0
ANTI-THEFT CONTROL MODULE (ALPINE), N12w	6575.2
ANTI-THEFT HORN (ALPINE), H1w	6575.2-02
ANTI-THEFT SYSTEM (ALPINE)	6575.2
ASC DIODE, V7	3450.1-00
ASC SWITCH, S6	3450.1-02
ASC SWITCH, S6	3450.1-07
ASHTRAY LIGHT, FRONT, E25	6300.0-01
ASHTRAY LIGHT, REAR, E28y	6300.0-01
AUTOMATIC CLIMATE CONTROL MODULE, A115	6450.7
AUTOMATIC TRANSMISSION RANGE SWITCH, S3	2460.
AUXILIARY FAN MOTOR, M9	6450.7

AUXILIARY FUSE BOX IN LUGGAGE COMPARTMENT, P96	0670.2
AUXILIARY FUSE BOX, P95	0670.2-03
AUXILIARY FUSE BOX, P97	0670.2
AUXILIARY THROTTLE POSITION MOTOR (ADS), M93	3450.1-02
AUXILIARY THROTTLE POSITION MOTOR (ADS), M93	3450.1-07
AUXILIARY THROTTLE POSITION SENSOR, R31	3450.1-04
AUXILIARY TURN LIGHT, LEFT FRONT, H9	6313.0-02
AUXILIARY TURN LIGHT, RIGHT FRONT, H8	6313.0-02
B+ JUMP START JUNCTION POINT, G6430	0670.2
BACK UP LIGHT, LEFT, H27	6322.0-00
BACK UP LIGHT, RIGHT, H28	6322.0-00
BACK UP LIGHTS	6322.0
BATTERY, G1	0670.2
BLOWER MOTOR, M30	6410.5-01
BLOWER MOTOR, M30	6412.10-01
BLOWER MOTOR, M30	6412.20-00
BLOWER MOTOR, M30	6450.7-00
BLOWER RELAY, K4	6410.5-00
BLOWER RELAY, K4	6412.10-00
BLOWER RELAY, K4	6412.20-00
BLOWER RELAY, K4	6450.7-00
BLOWER RESISTORS, R11	6410.5-01
BLOWER RESISTORS, R11	6412.10-01
BLOWER SWITCH, S75	6410.5-01
BLOWER SWITCH, S75	6412.10-00
BODY ELECTRONICS CONTROL MODULE (ZKE IV), A104	6100.0



INDEX

BRAKE FLUID LEVEL SWITCH, B18	6211.0-00
BRAKE LIGHT SWITCH, S29	6325.0-00
BRAKE LIGHT SWITCH, S30	6325.0-01
BRAKE LIGHT, LEFT, H24	6325.0
BRAKE LIGHT, RIGHT, H31	6325.0
BRAKE LIGHTS	6325.0
BRAKE PAD SENSOR, LEFT FRONT, B16	6211.0-01
BRAKE PAD SENSOR, RIGHT REAR, B17	6211.0-01
CAMSHAFT POSITION SENSOR (CYLINDER IDENTIFICATION), B6204	1210.17-06
CARBON CANISTER VALVE, Y199	1210.17-10
CARBON CANISTER VALVE, Y199	1210.20-09
CASSETTE BOX LIGHT, E45y	6300.0-00
CD CHANGER, N22	6510.1
CELLULAR TELEPHONE (PROVISIONS)	6561.0
CENTRAL BODY ELECTRONICS (ZKE IV)	6100.0
CENTRAL LOCKING SWITCH, S302	5126.0-02
CENTRAL POWER WINDOW SWITCH, S40y	5133.1-02
CHARGING SOCKET, X779	6332.1-01
CHARGING SYSTEM	1230.0
CHECK CONTROL MODULE, A4	6581.2
CHIME MODULE, H10	6581.2-01
CIGAR LIGHTER LIGHT, FRONT, E29	6300.0-01
CIGAR LIGHTER, FRONT, E28	6332.1-00
CLUTCH SWITCH, S32	6571.0-01
COMBINATION SWITCH, S7	6312.0-00
COMBINATION SWITCH, S7	6313.0-00
COMPONENT LOCATION CHART	7000.0

COMPONENT LOCATION VIEWS	7100.0
COMPRESSOR CONTROL RELAY, K19	6450.7-04
CONNECTOR VIEWS	8500.0
CONTACT RING, C101	3234.0-00
CONVERTIBLE TOP ACTUATING SWITCH, S143	5430.1-01
CONVERTIBLE TOP CONTROL MODULE, A96	5430.1
CONVERTIBLE TOP END-POSITION MICRO SWITCH, S164	5430.1-01
CONVERTIBLE TOP MOTOR, M101	5430.1-02
CONVERTIBLE TOP POSITION MICRO SWITCH, S165	5430.1-01
CONVERTIBLE TOP STORAGE LID LOCK MOTOR, M43	5430.1-02
CONVERTIBLE TOP STORAGE LID MICRO SWITCH, S214	5430.1-04
CONVERTIBLE TOP STORAGE LID MOTOR, M100	5430.1-02
CRANKSHAFT POSITION/RPM SENSOR, B6203	1210.
CRASH CONTROL MODULE	6350.0
CRASH CONTROL MODULE, N17	6350.0-01
CRUISE CONTROL (TEMPOMAT)	6571.0
CRUISE CONTROL ACTUATOR (TEMPOMAT), M25	6571.0-01
CRUISE CONTROL MODULE (TEMPOMAT), A8	6571.0
CRUISE CONTROL SWITCH, S28	6571.0-00
DATA LINK	0670.5
DATA LINK CONNECTOR, D100	0670.5
DAY LIGHT RELAY MODULE, K46z	6312.0-01
DEFOGGER I, REAR, E9	6424.0
DEFOGGER RELAY, REAR, K13	6424.0
DEFOGGER/ANTENNA, REAR, E10	6424.0



DEFROSTER FLAP MOTOR, M35 6450.7-03
DIMMER, N3 6300.0-00
DIVERSITY, N404 6424.0-04
DOME LIGHT/MAP READING ASSEMBLY, FRONT, E34 .. 6330.3
DOOR HANDLE SWITCH, DRIVER'S, S48 6575.2-00
DOOR JAMB SWITCH, DRIVER'S, S14 5133.1-00
DOOR JAMB SWITCH, PASSENGER'S, S13 5133.1-00
DOOR LOCK HEATER, E48 5120.0-00
DOOR LOCK MOTOR, DRIVER'S, M12 5126.0-00
DOOR LOCK MOTOR, PASSENGER'S, M13 5126.0-00
DOOR LOCK SWITCH, DRIVER'S, S47 5126.0-02
DOOR LOCK SWITCH, PASSENGER'S, S49 5126.0-02
DOUBLE TEMPERATURE SWITCH, S36y 6450.7-06
DRIVE-AWAY PROTECTION (EWS II) 6135.0
DUAL TEMPERATURE SENSOR
(COOLANT TEMPERATURE), B6256 1210.17-02
ELECTRICAL CONVERTIBLE TOP 5430.1
ELECTRONIC IMMOBILIZER CONTROL MODULE
(EWS II), A836 6135.0
ELECTRONIC TRANSMISSION CONTROL
(EGS A4S 270R) 2460.2
ELECTRONIC TRANSMISSION CONTROL
(EGS A5S 310Z) 2460.4
ENGINE CONTROL MODULE (DME), A6000 1210.
ENGINE CONTROL MODULE RELAY, K6300 1210.
ENGINE CONTROL SYSTEM
(DME M5.2, 4-CYLINDER M44) 1210.20
ENGINE CONTROL SYSTEM MS41.1
(6-CYLINDER M52) 1210.17

ENGINE COOLANT LEVEL SWITCH, S63 6581.2-02
ENGINE COOLANT TEMPERATURE SENSOR, B6232 1210.17-02
ENGINE COOLANT TEMPERATURE SENSOR, B6232 1210.20-05
ENGINE COOLANT TEMPERATURE SENSOR, B6236 1210.17-02
ENGINE HOOD SWITCH, S21w 6575.2-02
EVAPORATIVE EMISSION VALVE, Y6120 1210.
EVAPORATOR TEMPERATURE SENSOR, B14 6450.7-02
EXHAUST GAS FLAP VALVE, Y198 1210.17-09
FINAL STAGE UNIT, N2 6412.20-00
FINAL STAGE UNIT, N2 6450.7-00
FOG LIGHT RELAY, FRONT, K47 6312.0-00
FOG LIGHT SWITCH, S10 6312.0-00
FOG LIGHT, LEFT, E26 6312.0-00
FOG LIGHT, RIGHT, E27 6312.0-00
FOOTWELL LIGHT, LEFT FRONT, E61 6330.3
FOOTWELL LIGHT, RIGHT FRONT, E62 6330.3
FRESH AIR FLAP MOTOR, M36 6450.7-00
FUEL CHANGEOVER VALVE, Y6263 1210.20-09
FUEL INJECTION VALVE, CYL. 1, Y6101 1210.
FUEL INJECTION VALVE, CYL. 2, Y6102 1210.
FUEL INJECTION VALVE, CYL. 3, Y6103 1210.
FUEL INJECTION VALVE, CYL. 4, Y6104 1210.
FUEL INJECTION VALVE, CYL. 5, Y6105 1210.17-01
FUEL INJECTION VALVE, CYL. 6, Y6106 1210.17-01
FUEL LEVEL SENSOR, B6 6211.0-04
FUEL PUMP RELAY, CYL. 1-6, K6301 1210.17-04
FUEL PUMP RELAY, K6301w 1210.20-04
FUEL PUMP, M2 1210.



FUEL TANK PRESSURE SENSOR, B72	1210.17-10
FUEL TANK PRESSURE SENSOR, B72	1210.20-05
FUEL TANK SENSOR II, B25y	6211.0-04
FUSE CHART	0670.1
FUSE DETAILS	0670.3
GAS FILLER LOCK MOTOR, M16	5126.0-00
GEAR SHIFT LEVER INDICATOR, E96	6300.0-01
GENERATOR, G6509	1230.0-00
GLOVE BOX LIGHT, E42	6332.1-01
GLOVE BOX LIGHT/CASSETTE BOX/ASHTRAY LIGHT/ CHARGING SOCKET/CIGAR LIGHTER	6332.1
GLOVE BOX LOCK MOTOR, M107	5126.0-00
GROUND DISTRIBUTION	0670.4
HALL EFFECT CAMSHAFT SENSOR, B6209	1210.20-04
HARD TOP CONNECTOR 1, E99	5430.1-00
HARD TOP CONNECTOR 2, E100y	6330.3-03
HAZARD FLASHER RELAY, K16	6313.0-00
HAZARD SWITCH, S18	6313.0-01
HEADLIGHT WASHER (SRA)	6167.1
HEADLIGHT, LEFT, E7	6313.0-02
HEADLIGHT, LEFT, E7	6314.0-01
HEADLIGHT, RIGHT, E8	6313.0-02
HEADLIGHT, RIGHT, E8	6314.0-01
HEADLIGHT/FOG LIGHT WASHER PUMP, M7	6167.1-00
HEADLIGHTS/FOG LIGHTS	6312.0
HEAT EXCHANGER TEMPERATURE SENSOR, LH, B11 6410.5-01	
HEAT EXCHANGER TEMPERATURE SENSOR, LH, B11 6450.7-02	
HEAT EXCHANGER TEMPERATURE SENSOR, RH, B126450.7-02	

HEATED SEATS	5203.0
HIFI AMPLIFIER, A18	6510.1
HIGH BEAM LIGHT RELAY, K46	6312.0-01
HIGH BEAM LIGHT, LEFT, E11	6312.0-01
HIGH BEAM LIGHT, RIGHT, E12	6312.0-01
HIGH LEVEL STOP LIGHT, H34	6325.0
HIGH LEVEL STOP LIGHT/REAR SPOILER, H34z	6325.0
HIGH RANGE SPEAKER, LEFT FRONT, H59	6510.0-00
HIGH RANGE SPEAKER, LEFT FRONT, H59	6510.1-01
HIGH RANGE SPEAKER, LEFT REAR, H56	6510.1
HIGH RANGE SPEAKER, RIGHT FRONT, H50	6510.0-00
HIGH RANGE SPEAKER, RIGHT FRONT, H50	6510.1-02
HIGH RANGE SPEAKER, RIGHT REAR, H53	6510.1
HIGH SPEED RELAY, K22	6450.7-05
HIGH SPEED RELAY, K22	6450.7-06
HORN	6133.0
HORN RELAY (ALPINE), K108	6575.2-02
HORN RELAY, K2	6133.0-00
HORN SWITCH, S4	6133.0-00
HORN, LEFT, H2	6133.0-00
HORN, RIGHT, H3	6133.0-00
HOT FILM AIR MASS METER, B6207	1210.17-05
HOT FILM AIR MASS METER, B6217	1210.20-06
IDLE SPEED CONTROL VALVE, Y6130	1210.
IGNITION COIL, CYL. 1, T6151	1210.
IGNITION COIL, CYL. 2, T6152	1210.
IGNITION COIL, CYL. 3, T6153	1210.
IGNITION COIL, CYL. 4, T6154	1210.



INDEX

IGNITION COIL, CYL. 5, T6155	1210.17-03
IGNITION COIL, CYL. 6, T6156	1210.17-03
IGNITION SWITCH, S2	0670.2-04
INDEX	0100.0
INSTRUMENT CLUSTER	6211.0
INSTRUMENT CLUSTER, A2w	6211.0
INTAKE AIR RESONANCE CHANGEOVER VALVE, Y6131	1210.20-01
INTAKE AIR TEMPERATURE SENSOR, B6205	1210.
INTEGRATED CLIMATE REGULATION (IHKA E36)	6450.7
INTERIOR LIGHT, LEFT REAR, E39	6330.3
INTERIOR LIGHT, RIGHT REAR, E40	6330.3
INTERIOR LIGHTS	6330.3
INTERMEDIATE PRESSURE SWITCH, B9	6450.7
INTRODUCTION	0110.0
JET HEATER THERMOSWITCH, S198	6169.0-00
KICK-DOWN SWITCH, S8507	2460.
KNOCK SENSOR, B6240	1210.17-06
KNOCK SENSOR, B6240	1210.20-05
LICENSE PLATE LIGHT, LEFT, E43	6320.0-00
LICENSE PLATE LIGHT, RIGHT, E44	6320.0-00
LICENSE PLATE/LUGGAGE COMPARTMENT LIGHTS ...	6320.0
LIGHT EMITTING DIODE (LED)	6575.2-00
LIGHT SWITCH DETAILS	6300.0
LIGHT SWITCH, S8	6300.0-00
LOW BEAM LIGHT RELAY, K48	6312.0-01
LOW BEAM LIGHT, LEFT, E13	6312.0-01
LOW BEAM LIGHT, RIGHT, E14	6312.0-01

LOW RANGE SPEAKER, LEFT FRONT, H58	6510.0-00
LOW RANGE SPEAKER, LEFT FRONT, H58	6510.1-01
LOW RANGE SPEAKER, LEFT REAR, H57	6510.1
LOW RANGE SPEAKER, RIGHT FRONT, H51	6510.0-00
LOW RANGE SPEAKER, RIGHT FRONT, H51	6510.1-02
LOW RANGE SPEAKER, RIGHT REAR, H52	6510.1
LOW-NOISE MICROPHONE	6575.2-00
LUGGAGE COMPARTMENT LID MICRO SWITCH, S213	5430.1-02
LUGGAGE COMPARTMENT LID RELAY, K117	5126.0-01
LUGGAGE COMPARTMENT LIGHT ASSEMBLY, LEFT, E46	6313.0-02
LUGGAGE COMPARTMENT LIGHT ASSEMBLY, LEFT, E46	6314.0-01
LUGGAGE COMPARTMENT LIGHT ASSEMBLY, LEFT, E46	6322.0-00
LUGGAGE COMPARTMENT LIGHT ASSEMBLY, LEFT, E46	6325.0
LUGGAGE COMPARTMENT LIGHT ASSEMBLY, LEFT, E46	6581.2
LUGGAGE COMPARTMENT LIGHT ASSEMBLY, RIGHT, E47	6313.0-02
LUGGAGE COMPARTMENT LIGHT ASSEMBLY, RIGHT, E47	6314.0-01
LUGGAGE COMPARTMENT LIGHT ASSEMBLY, RIGHT, E47	6322.0-00
LUGGAGE COMPARTMENT LIGHT ASSEMBLY, RIGHT, E47	6325.0
LUGGAGE COMPARTMENT LIGHT ASSEMBLY, RIGHT, E47	6581.2



INDEX

LUGGAGE COMPARTMENT LIGHT SWITCH, S61y ...	6320.0-01	ON-BOARD DISPLAY, A35	6214.0-00
LUGGAGE COMPARTMENT LIGHT, E32	6320.0-01	OUTSIDE TEMPERATURE SENSOR, B13	6450.7-02
LUGGAGE COMPARTMENT LIGHT, LEFT, E101	6320.0-01	OXYGEN SENSOR (BEHIND CATALYTIC CONVERTER), B62002	1210.20-04
LUGGAGE COMPARTMENT LIGHT, RIGHT, E102	6320.0-01	OXYGEN SENSOR (IN FRONT OF CATALYTIC CONVERTER), B62001 .	1210.20-04
LUGGAGE COMPARTMENT LOCK MOTOR, M17	5126.0-01	OXYGEN SENSOR I (BEHIND CATALYTIC CONVERTER), B62102	1210.17-04
MAKE-UP MIRROR LIGHT, DRIVER'S, E35	6330.3	OXYGEN SENSOR I (IN FRONT OF CATALYTIC CONVERTER), B62101 .	1210.17-04
MAKE-UP MIRROR LIGHT, PASSENGER'S, E36	6330.3	OXYGEN SENSOR II (BEHIND CATALYTIC CONVERTER), B62202	1210.17-04
MAKE-UP MIRROR SWITCH, DRIVER'S, S77	6330.3	OXYGEN SENSOR II (IN FRONT OF CATALYTIC CONVERTER), B62201 .	1210.17-04
MAKE-UP MIRROR SWITCH, PASSENGER'S, S78	6330.3	PARK BRAKE SWITCH, S31	6211.0-00
MID-HIGH RANGE SPEAKER, LEFT, H42	6510.1-01	PARK LIGHT, LEFT, E15	6314.0-01
MID-HIGH RANGE SPEAKER, RIGHT, H43	6510.1-02	PARK LIGHT, RIGHT, E19	6314.0-01
MIDRANGE SPEAKER, LEFT FRONT, H55	6510.1-01	PARK VENTILATION RELAY, K450	6412.
MIDRANGE SPEAKER, RIGHT FRONT, H54	6510.1-02	PARK VENTILATION RELAY, K450	6412.10-01
MIRROR CONTROL SWITCH, S17	5116.0-00	PARK VENTILATION WITH HR	6412.10
MIRROR, DRIVER'S SIDE, Y5	5116.0	PARK VENTILATION WITH IHKA E36	6412.20
MIRROR, PASSENGER'S SIDE, Y6	5116.0	PARK/TAIL LIGHTS	6314.0
MULTI-FUNCTION CLOCK	6213.2	POWER DISTRIBUTION	0670.2
MULTI-FUNCTION CLOCK, N10	6213.2	POWER DISTRIBUTION BOX, FRONT, P90	0670.2
NORMAL SPEED RELAY, K21	6450.7-05	POWER DISTRIBUTION CHART	0670.0
NORMAL SPEED RELAY, K21	6450.7-06	POWER MIRRORS	5116.0
OBD II CONNECTOR, D110	0670.5	POWER SEATS	5200.0
OIL PRESSURE SWITCH, B6231	6211.0-00	POWER TILT/SLIDE SUNROOF (SHD)	5410.1
OIL TEMPERATURE SENSOR, B6238	6211.0-04		
ON-BOARD COMPUTER (BC V)	6581.2		
ON-BOARD COMPUTER TEMPERATURE SENSOR, B21	6581.2-00		
ON-BOARD COMPUTER, N4	6581.2		
ON-BOARD DISPLAY	6214.0		



POWER WINDOW SWITCH, DRIVER'S, S126y 5133.1-01
POWER WINDOW SWITCH, PASSENGER'S, S127y ... 5133.1-01
POWER WINDOWS (FH) 5133.1
PRESSURE SWITCH, B8y 6450.7
PRESSURE SWITCH, B9508 6450.7
PROGRAM SWITCH, S8503 2460.
PYROTECHNICAL BELT TENSIONER,
DRIVER'S SIDE, G12 3234.0-00
PYROTECHNICAL BELT TENSIONER,
PASSENGER'S SIDE, G13 3234.0-00
RADIO, N9 6510.0-00
RADIO, N9 6510.1
RADIO/HIFI/TOP HIFI 6510.1
RADIO/STEREO 6510.0
REAR POWER WINDOW SWITCH, LH, S128z 5133.1-02
REAR POWER WINDOW SWITCH, RH, S129z 5133.1-02
RECIRCULATION FLAP MOTOR, M40 6450.7-03
RECIRCULATION FLAP MOTOR, REAR, M46 6450.7-03
REGULATION FLAP MOTOR, M44 6450.7-03
RELAY MODULE, A5 5133.1-04
RELAY MODULE, A5 6100.0-04
RESISTOR, R8554 0670.4-12
REVERSING LIGHT SWITCH, S8511 6322.0-00
ROLLOVER PROTECTION ACTUATOR, LH, Y85 5430.1-03
ROLLOVER PROTECTION ACTUATOR, RH, Y86 5430.1-03
ROLLOVER SENSOR, N24 5430.1-03
SEAT BELT SWITCH, DRIVER'S, S58 3234.0-02
SEAT BELT SWITCH, PASSENGER'S, S59 3234.0-02

SEAT CONTROL SWITCH, DRIVER'S SEAT, S51 5200.0-00
SEAT CONTROL SWITCH, PASSENGER'S SEAT, S56 . 5200.0-01
SEAT CUSHION TILT MOTOR, DRIVER'S, M50 5200.0-00
SEAT CUSHION TILT MOTOR, PASSENGER'S, M61 .. 5200.0-01
SEAT HEATER SWITCH, DRIVER'S SEAT, S53 5203.0-00
SEAT HEATER SWITCH, PASSENGER'S SEAT, S54 .. 5203.0-00
SEAT HEATER, DRIVER'S, E57 5203.0-00
SEAT HEATER, PASSENGER'S, E58 5203.0-00
SEAT HEIGHT MOTOR, DRIVER'S, M52 5200.0-00
SEAT HEIGHT MOTOR, PASSENGER'S, M59 5200.0-01
SEAT LUMBAR SUPPORT MOTOR/VALVE, DRIVER'S,
M55z 5200.0-02
SEAT LUMBAR SWITCH, DRIVER'S, S52 5200.0-02
SEAT MAT, I1008 3234.0-03
SEAT MOVEMENT MOTOR, DRIVER'S, M51 5200.0-00
SEAT MOVEMENT MOTOR, PASSENGER'S, M60 5200.0-01
SEAT OCCUPANCY DETECTOR, A113 3234.0-03
SEATBACK HEATER, DRIVER'S, E56 5203.0-00
SEATBACK HEATER, PASSENGER'S, E59 5203.0-00
SEATBACK RECLINER MOTOR, DRIVER'S, M53 5200.0-00
SEATBACK RECLINER MOTOR, PASSENGER'S, M58 5200.0-01
SECONDARY AIR PUMP RELAY, K6304 1210.17-05
SECONDARY AIR PUMP RELAY, K6304 1210.20-09
SECONDARY AIR PUMP VALVE, Y6163 1210.17-05
SECONDARY AIR PUMP VALVE, Y6163 1210.20-09
SHIFT-LOCK, Y19 2460.
SIDE IMPACT SENSOR, DRIVER'S, B78 3234.0-01
SIDE IMPACT SENSOR, PASSENGER'S, B79 3234.0-01



INDEX

SLIP CONTROL (ABS/ASC)	3450.1
SLIP CONTROL MODULE (ABS/ASC), A52	3450.1
SOLENOID VALVE ("RUNNING LOSSES"), Y6550	1210.17-05
SPATIAL SOUND RELAY, K128	6510.1-05
SPEAKER, LEFT REAR, H46	6510.0-00
SPEAKER, LEFT REAR, H46	6510.1
SPEAKER, RIGHT REAR, H45	6510.0-00
SPEAKER, RIGHT REAR, H45	6510.1
SPEED SENSOR – ABS, LEFT FRONT, B2	3450.1
SPEED SENSOR – ABS, LEFT REAR, B4	3450.1
SPEED SENSOR – ABS, RIGHT FRONT, B1	3450.1
SPEED SENSOR – ABS, RIGHT REAR, B3	3450.1
SPLICE LOCATION VIEWS	8000.0
START	1240.0
STARTER IMMOBILIZATION SWITCH, S235	6135.0-00
STARTER, M6510	1240.0-02
SUBWOOFER, H66	6510.1-06
SUPPLEMENTAL RESTRAINT SYSTEM	
CONTROL MODULE, A12	3234.0
SUPPLEMENTAL RESTRAINT SYSTEM (AIR BAG)	3234.0
SUPPRESSION FILTER, C900	6424.0
SYMBOLS	0140.0
TAIL LIGHT, LEFT, H25	6314.0-01
TAIL LIGHT, LEFT, H37	6314.0-01
TAIL LIGHT, RIGHT, H30	6314.0-01
TAIL LIGHT, RIGHT, H39	6314.0-01
TELEPHONE CONNECTOR	6561.0
TEMPERATURE SWITCH, S36	6450.7-05

THERMOSTAT, A32y	6410.5
THROTTLE POSITION SENSOR (ASC), R6255z	3450.1-05
THROTTLE POSITION SENSOR, R6252	1210.
TILT/SLIDE SUNROOF CONTROL ASSEMBLY, A56 ...	5410.1-00
TILT/SLIDE SUNROOF SWITCH (SHD), S38	5410.1-00
TOP HIFI SWITCH, S303y	6510.1-04
TRANSMISSION CONTROL MODULE (EGS), A7000 ..	2460.4-00
TRANSMISSION CONTROL MODULE (EGS), A8500 ..	2460.2-00
TRANSMISSION POSITION INDICATOR LIGHT, E82 ..	6300.0-01
TRANSMISSION VALVE UNIT, Y8505	2460.2-01
TRANSMISSION VALVE UNIT, Y8505y	2460.2-07
TRANSMISSION VALVE UNIT, Y8505y	2460.4-01
TRANSMITTER MODULE (EWS II), A835	6135.0-01
TURN LIGHT, LEFT FRONT, H7	6313.0-02
TURN LIGHT, LEFT REAR, H6	6313.0-02
TURN LIGHT, RIGHT FRONT, H4	6313.0-02
TURN LIGHT, RIGHT REAR, H5	6313.0-02
TURN/HAZARD LIGHTS	6313.0
UNCOUPLING DIODE, V6	6412.20-00
UNLOADER RELAY, TERMINAL 15, K6326	1210.
UNLOADER RELAY, TERMINAL 15, K9	5203.0-00
VARIABLE CAMSHAFT CONTROL VALVE 1, Y6275 ..	1210.17-05
VEHICLE SPEED SENSOR, B10	6211.0-04
WASHER FLUID LEVEL SWITCH, S64	6581.2-02
WASHER JET HEATER, LEFT, E51	6169.0-00
WASHER JET HEATER, RIGHT, E52	6169.0-00
WASHER PUMP, M4	6160.1
WATER VALVE ASSEMBLY, Y4	6410.5-00



INDEX

WATER VALVE ASSEMBLY, Y4	6450.7-01
WINDOW BLOWER MICRO SWITCH, REAR, S196	5430.1-01
WINDOW BLOWER RELAY, REAR, K99	6424.0-02
WINDOW BLOWER, REAR, M105	6424.0-02
WINDOW DEFOGGER/ANTENNA, REAR,	6424.0
WINDOW MOTOR, DRIVER'S, M21	5133.1-03
WINDOW MOTOR, LEFT REAR, M98	5133.1-04
WINDOW MOTOR, PASSENGER'S, M23	5133.1-03
WINDOW MOTOR, RIGHT REAR, M99	5133.1-04
WINDSCREEN COWL PANEL LOCK MICRO SWITCH, S231	5430.1-00
WINDSCREEN COWL PANEL LOCK MOTOR, M132 ...	5430.1-00
WINDSHIELD WASHER JET HEATERS	6169.0
WIPER MOTOR, M3	6160.1
WIPER/WASHER MODULE (LOW II), A64	6160.1-00
WIPER/WASHER MODULE (WWM)	6160.1
WIPER/WASHER MODULE, A51	6160.1
WIPER/WASHER SWITCH, S5	6160.1
ZKE CENTRAL LOCKING (ZV)	5126.0
ZKE DOOR LOCK HEATING (TSH)	5120.0

Schematics

The schematics divide the entire vehicle electrical system into individual circuits. Interacting electrical components are shown on one common schematic.

Switches and other components are represented in such a way that their general layout and function are self-explicit. They are arranged on the sheet such that the current path can be followed from positive (top) to negative (bottom).

Important: The components and wires are not drawn to scale. For instance, a lead with a length of over 1m can be shown as a lead that is only a few cm long. To ensure clear arrangement, all connectors, lines branches and connected components from the fuses to the component and from the component to ground connection are not shown within the individual cells. If required, reference can be made to cells **0670.3 Fuse Details** and **0670.4 Ground Distribution** where all lines are illustrated with all plug connections, line branches and connected components.

All circuit symbols used are listed and explained in cell **0140.0 Symbols**.

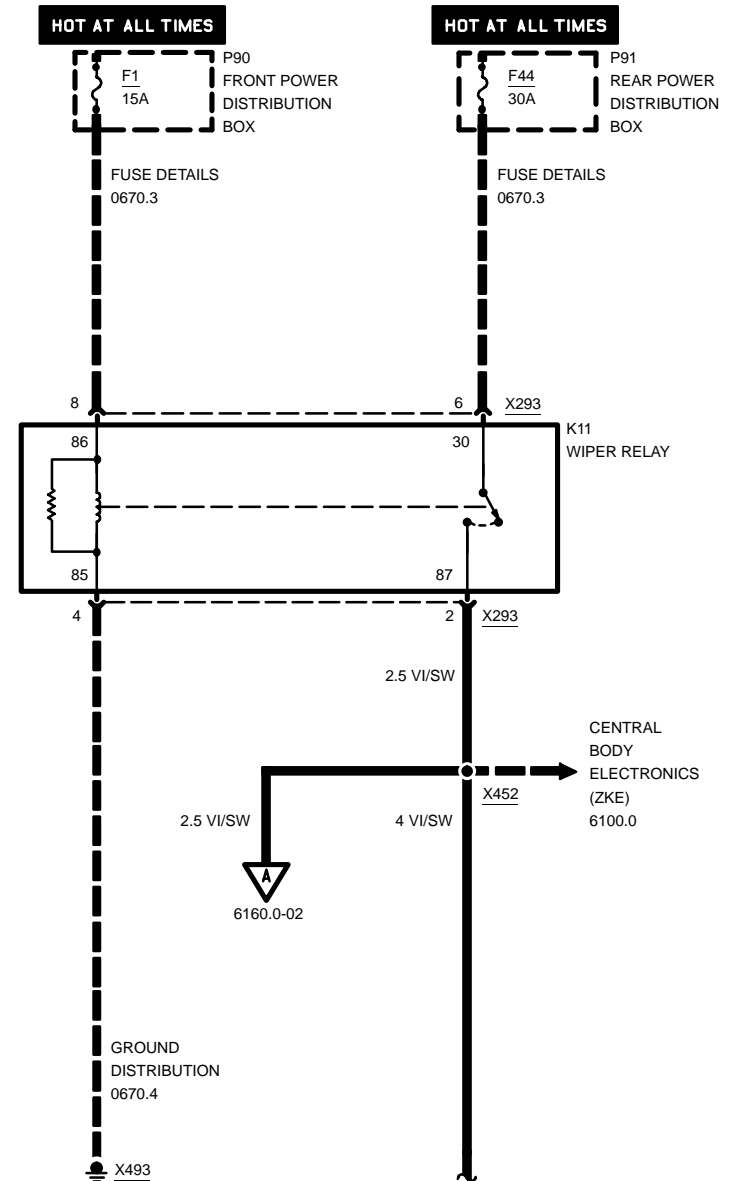
In cell **7000.0 Component Location Chart** all important connectors, ground points and components are listed in tabular form. It provides a precise description of the component locations in the vehicle.

In cell **7100.0 Component Location Views** the location of connectors and components which are difficult to locate are shown in line arts or illustrations. In cell **8000.0 Splice Location Views** all splices are listed in numerical order and illustrations are provided to assist in locating splices on larger harnesses. In cell **8500.0 Connector Views** diagrams of connectors with more than 2 pins are illustrated.

Included in this ETM are foldout block diagrams. These are overviews of the entire system (EGS, ABS, AC, etc.) which helps understand the relationships between various components and control unit of the system being diagnosed.

Example

General conventions can be explained based on the following schematic example.





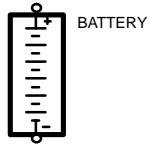
INTRODUCTION

General Conventions

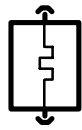
1. Switches and relays are always shown in rest position (e.g. K11).
2. A component shown in a dashed frame signifies that the component is illustrated only in part (e.g. P90 and P91).
3. A component shown in a completely drawn frame signifies that the component is illustrated in full (e.g. K11).
4. The dashed line between pin 8 and pin 6 of connector X293 indicates that both pins belong to connector X293.
5. The dashed line from fuse F1 to pin 8 of connector X293 shows the positive supply of relay K11. If required, refer to cell **0670.3 Fuse Details** at fuse F1 for the complete line progressing with plug connections, line branches, wire colors and cross sections.
6. The dashed line with an arrow at splice X452 indicates that several wires lead to splice X452. All lines leading to the connection are illustrated in cell **6100.0 Central Body Electronics (ZKE)**. An interrupted line with an arrow indicates that only this one wire leads to another circuit.
7. The dashed line from pin 4 of connector X293 to ground X493 shows the ground supply for relay K11. If required, refer to cell **0670.4 Ground Distribution** at ground X493 for the complete line progression with all plug connections, line branches, wire colors, and cross sections.
8. The interrupted line from splice X452 with an **A** in the open arrow is continued on page 6160.0-02. Termination of wire 4 VI/SW from splice X452 with a wavy line indicates that the wire is continued on the opposite page.



0140.0 SYMBOLS



BATTERY



HEATING ELEMENT



VARIABLE RESISTANCE SENSOR
VARIABLE CONTACT IS MOVED BY AN EXTERNAL FORCE



ANTENNA



FUSE DETAILS



LOUDSPEAKER OR HORN



VARIABLE RESISTOR
RESISTANCE IS CHANGED BY TEMPERATURE OR PRESSURE



CONTROL/POWER ELECTRONICS



FUSIBLE LINK



LIGHT



DIODE CURRENT CAN FLOW ONLY IN DIRECTION OF ARROW



HALL EFFECT SENSOR



PERMANENT MAGNET MOTOR ONE SPEED



ZENER DIODE TO REGULATE VOLTAGE



RADIO



CIRCUIT BREAKER



PERMANENT MAGNET MOTOR TWO SPEEDS



LIGHT EMITTING DIODE (LED)



TRANSISTORIZED SWITCH



SOLENOID



INDUCTIVE SENSOR



SOLENOID CONTROLLED VALVE OR CLUTCH SOLENOID



KNOCK SENSOR



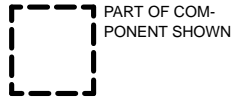
OXYGEN SENSOR



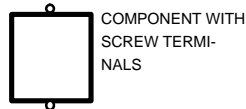
VEHICLE SPEED SENSOR



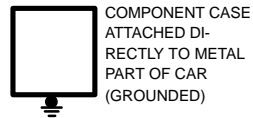
ENTIRE COM-
PONENT SHOWN



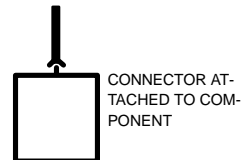
PART OF COM-
PONENT SHOWN



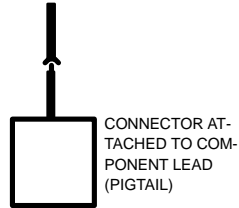
COMPONENT WITH
SCREW TERMI-
NALS



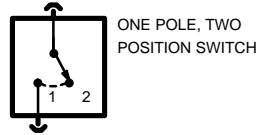
COMPONENT CASE
ATTACHED DI-
RECTLY TO METAL
PART OF CAR
(GROUNDED)



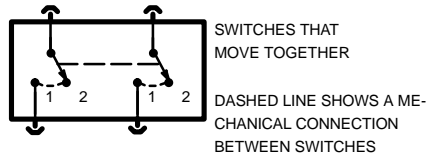
CONNECTOR AT-
TACHED TO COM-
PONENT



CONNECTOR AT-
TACHED TO COM-
PONENT LEAD
(PIGTAIL)



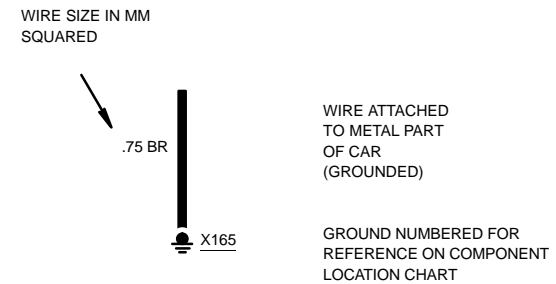
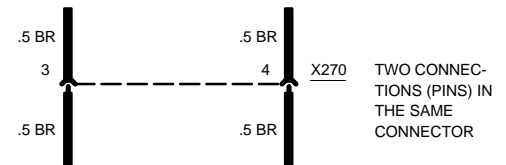
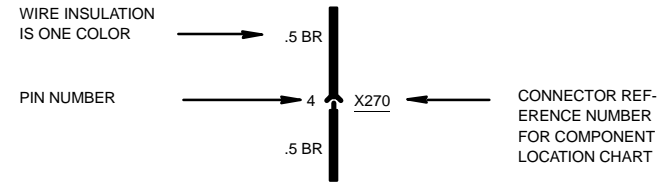
ONE POLE, TWO
POSITION SWITCH



SWITCHES THAT
MOVE TOGETHER

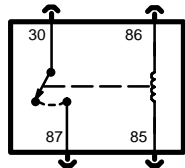
DASHED LINE SHOWS A ME-
CHANICAL CONNECTION
BETWEEN SWITCHES

WIRE COLOR	
BL	BLUE
BR	BROWN
GE	YELLOW
GN	GREEN
GR	GRAY
OR	ORANGE
RS	PINK
RT	RED
SW	BLACK
VI	VIOLET
WS	WHITE
TR	TRANSPARENT

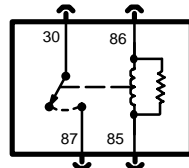




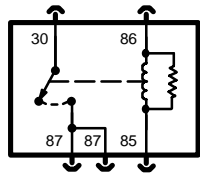
SYMBOLS



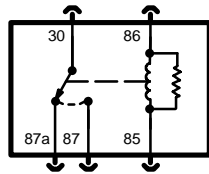
CONTACT RELAY



RELAY WITH RESISTOR ACROSS WINDING



CONTACT RELAY WITH TWO OUTPUTS



CHANGEOVER RELAY WITH TWO OUTPUTS

TERMINAL NUMBER DESCRIPTION

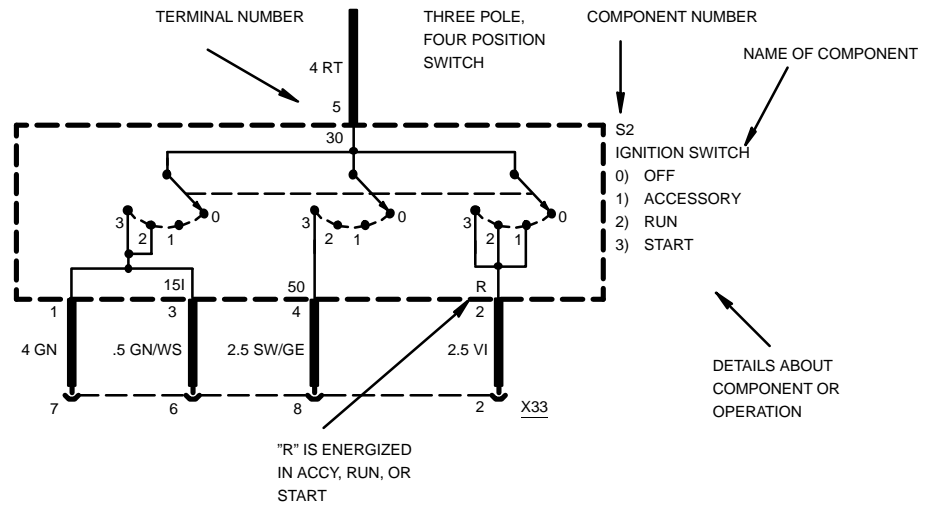
30 RELAY INPUT

85 RELAY OUTPUT (WINDING)

86 RELAY INPUT (WINDING)

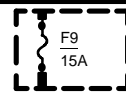
87 RELAY OUTPUT (ENERGIZED)

87a RELAY OUTPUT (AT REST)



TERMINAL NUMBER	DESCRIPTION	TERMINAL NUMBER	DESCRIPTION
50	VOLTAGE: IGNITION SWITCH IN START	15I	VOLTAGE: IGNITION SWITCH IN RUN
30	VOLTAGE: SUPPLIED AT ALL TIMES	R	VOLTAGE: IGNITION SWITCH IN ACCESSORY, RUN OR START
15	VOLTAGE: IGNITION SWITCH IN RUN OR START	31	GROUND

HOT AT ALL TIMES



INDICATES THAT FUSE 9 IS SUPPLIED WITH POWER AT ALL TIMES

POWER STATUS

HOT AT ALL TIMES

HOT IN RUN AND START

HOT IN ACCY, RUN AND START

DESCRIPTION

VOLTAGE: SUPPLIED AT ALL TIMES

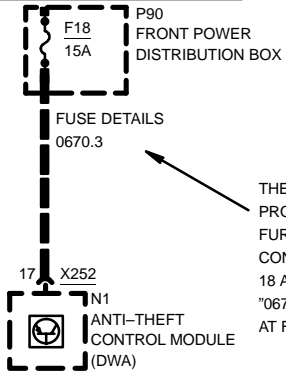
VOLTAGE: IGNITION SWITCH IN RUN OR START

VOLTAGE: IGNITION SWITCH IN ACCESSORY, RUN OR START

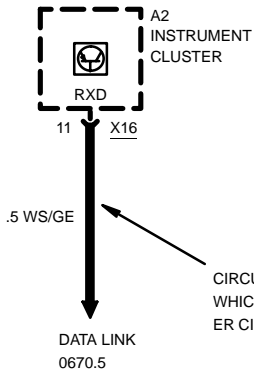


SYMBOLS

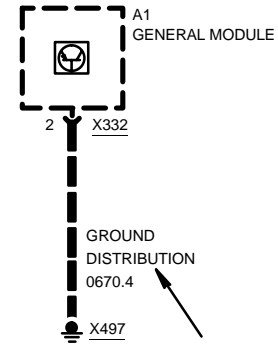
HOT IN ACCY, RUN AND START



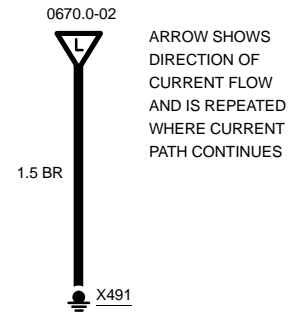
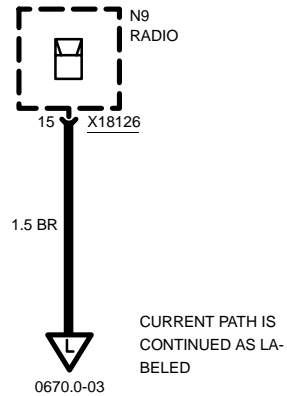
THE COMPLETE WIRE PROGRESSION AND FURTHER CIRCUITS CONNECTED TO FUSE 18 ARE SHOWN IN CELL "0670.3 FUSE DETAILS" AT FUSE 18



CIRCUIT REFERENCE-A WIRE WHICH CONNECTS TO ANOTHER CIRCUIT



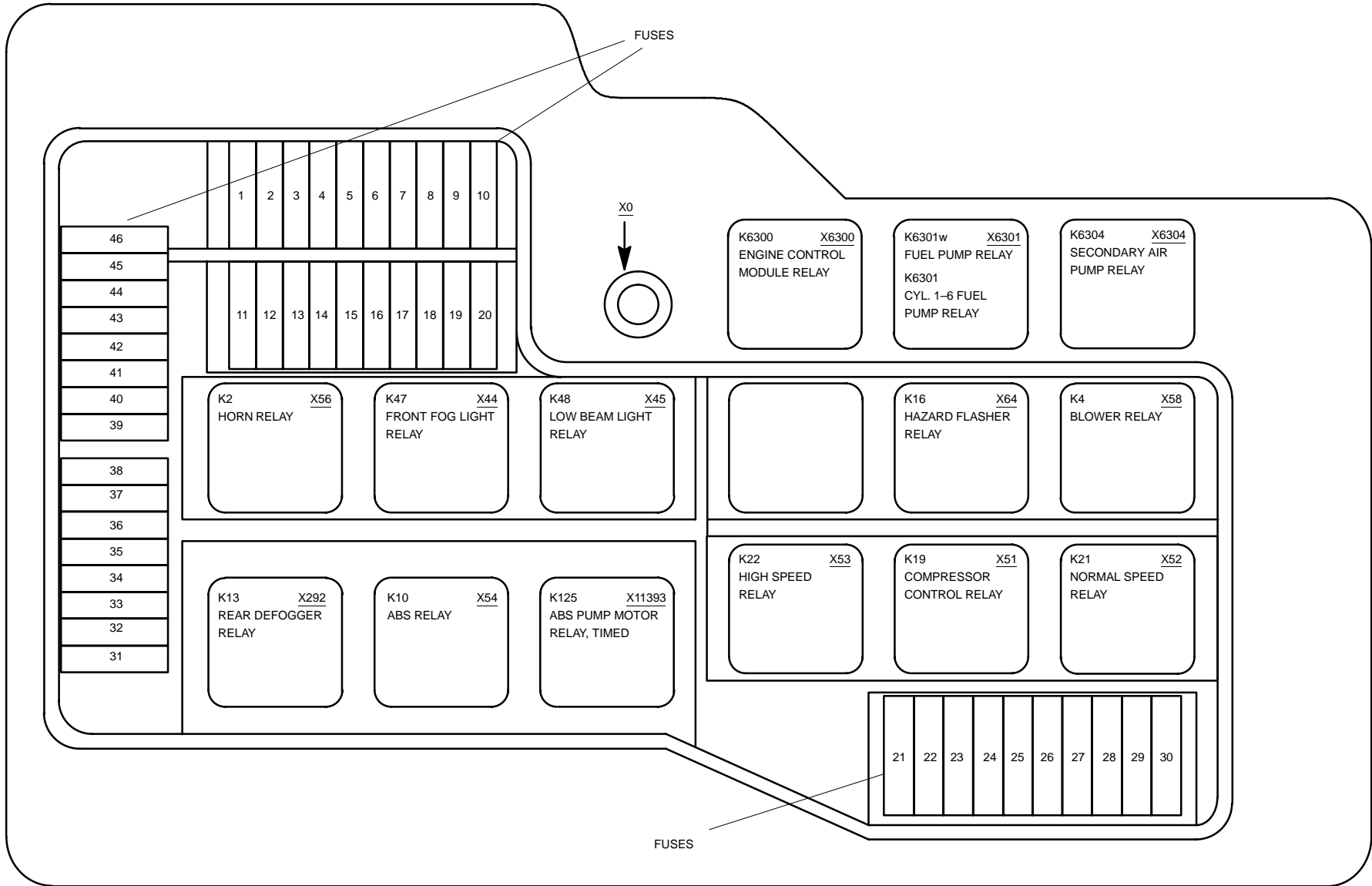
THE COMPLETE WIRE PROGRESSION AND FURTHER CIRCUITS CONNECTED TO GROUND X497 ARE SHOWN IN CELL "0670.4 GROUND DISTRIBUTION" AT GROUND X497





0670.0 POWER DISTRIBUTION CHART

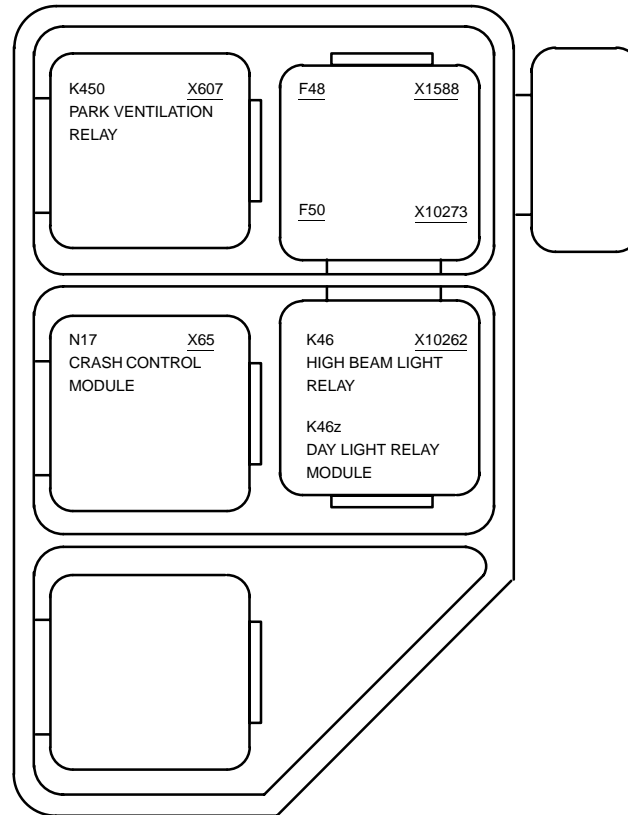
FRONT POWER DISTRIBUTION BOX





POWER DISTRIBUTION CHART

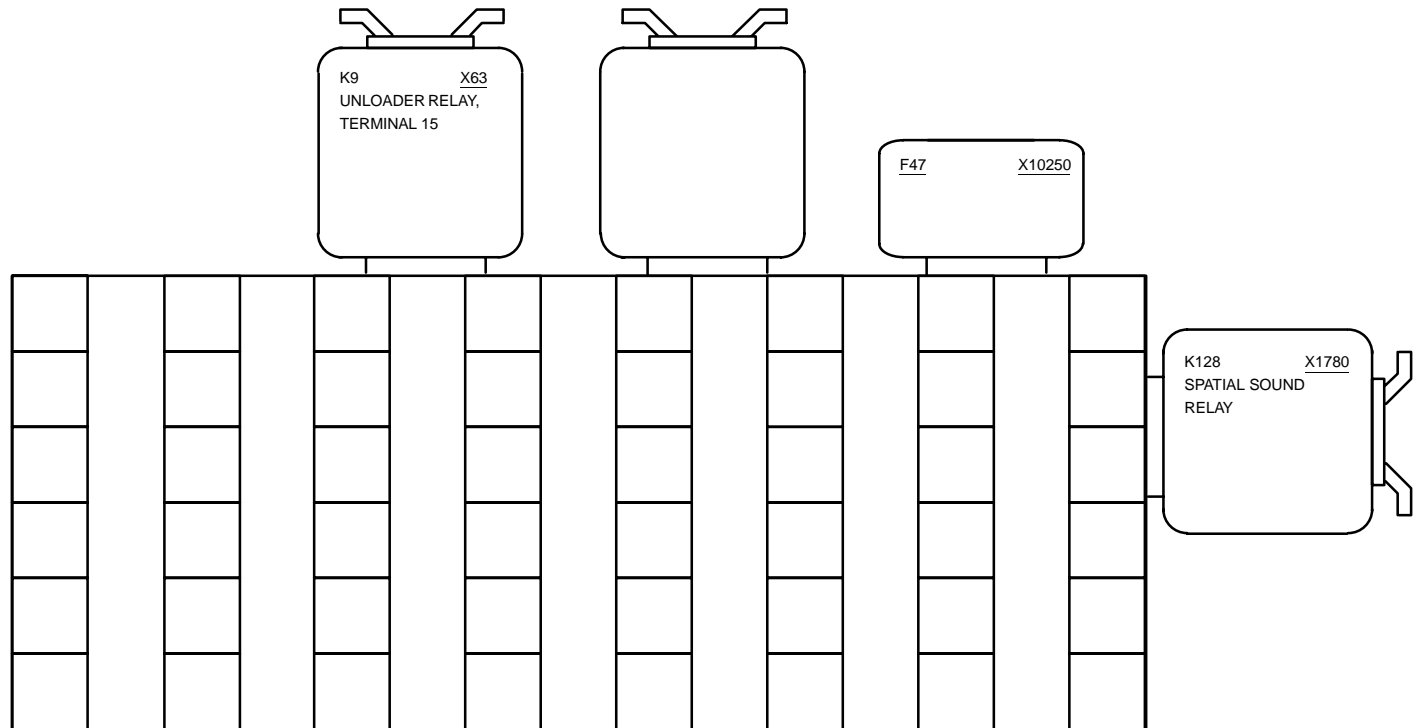
RELAY PANEL UNDER LH SIDE OF DASHBOARD





POWER DISTRIBUTION CHART

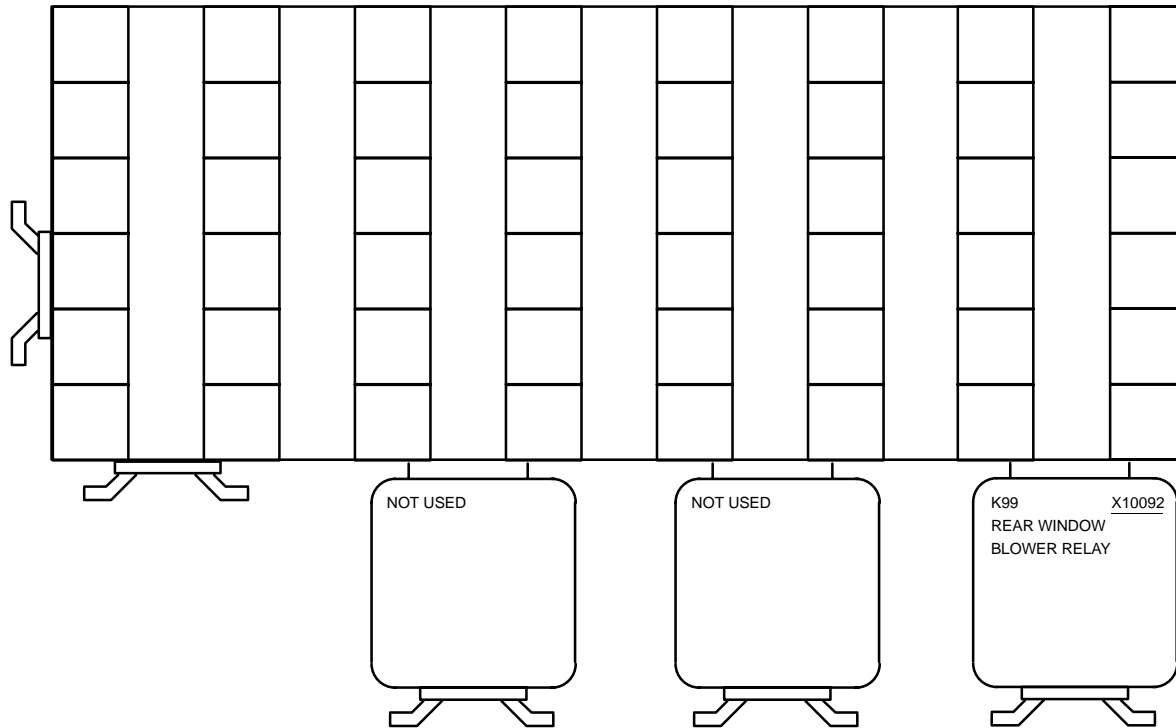
SPLICE PANEL UNDER LH SIDE OF DASHBOARD





POWER DISTRIBUTION CHART

SPLICE PANEL UNDER RH SIDE OF DASHBOARD





0670.1 FUSE CHART

FUSES 1 TO 29

	FUSE NUMBER																													
	1	2	3	4	5	6	7	8	9	10	11	12	13	14	15	16	17	18	19	20	21	22	23	24	25	26	27	28	29	
	30A	5A	30A	15A	30A	20A	5A	15A	20A	30A	7.5A	7.5A	5A	30A	15A	5A	10A	15A	30A	30A	5A	5A	5A	10A	5A	10A	5A	5A	7.5A	
1210.17 ENGINE CONTROL SYSTEM MS41.1 (6-CYLINDER M52)																●		●												
1210.20 ENGINE CONTROL SYSTEM (DME M5.2, 4-CYLINDER M44)		●														●		●												
1230.0 CHARGING SYSTEM																														
1240.0 START																													●	
2460.2 ELECTRONIC TRANSMISSION CONTROL (EGS A4S 270R)																											●		●	
2460.4 ELECTRONIC TRANSMISSION CONTROL (EGS A5S 310Z)																											●		●	
3234.0 SUPPLEMENTAL RESTRAINT SYSTEM (AIR BAG)																												●		
3450.1 SLIP CONTROL (ABS/ASC)										●											●							●		
5116.0 POWER MIRRORS																									●					
5120.0 ZKE DOOR LOCK HEATING (TSH)							●																							
5126.0 ZKE CENTRAL LOCKING (ZV)							●																						●	
5133.1 POWER WINDOWS (FH)														●						●										
5200.0 POWER SEATS					●																									
5203.0 HEATED SEATS			●																				●							
5410.1 POWER TILT/SLIDE SUNROOF (SHD)	●																													
5430.1 ELECTRICAL CONVERTIBLE TOP							●																	●			●			
6100.0 CENTRAL BODY ELECTRONICS (ZKE IV)														●																
6133.0 HORN								●																						
6135.0 DRIVE-AWAY PROTECTION (EWS II)																													●	
6160.1 WIPER/WASHER MODULE (WWM)		●																												

03/00

0670.1-00

1999



FUSE CHART

FUSES 1 TO 29

	FUSE NUMBER																												
	1	2	3	4	5	6	7	8	9	10	11	12	13	14	15	16	17	18	19	20	21	22	23	24	25	26	27	28	29
	30A	5A	30A	15A	30A	20A	5A	15A	20A	30A	7.5A	7.5A	5A	30A	15A	5A	10A	15A	30A	30A	5A	5A	5A	10A	5A	10A	5A	5A	7.5A
6167.1 HEADLIGHT WASHER (SRA)			●																										
6169.0 WINDSHIELD WASHER JET HEATERS																									●				
6211.0 INSTRUMENT CLUSTER																							●				●		
6213.1 ANALOG CLOCK																							●					●	
6213.2 MULTI-FUNCTION CLOCK																							●				●		
6214.0 ON-BOARD DISPLAY																							●				●		
6300.0 LIGHT SWITCH DETAILS																						●				●			
6312.0 HEADLIGHTS/FOG LIGHTS											●	●			●								●		●				●
6313.0 TURN/HAZARD LIGHTS																							●						
6314.0 PARK/TAIL/UNDERHOOD LIGHTS																													
6320.0 LICENSE PLATE/LUGGAGE COMPARTMENT LIGHTS																													
6322.0 BACK UP LIGHTS																											●		
6325.0 BRAKE LIGHTS																													
6330.3 INTERIOR LIGHTS																													
6332.1 GLOVE BOX LIGHT/CASSETTE BOX/ASHTRAY LIGHT/CHARGING SOCKET/CIGAR LIGHTER																													
6350.0 CRASH CONTROL MODULE																													
6410.5 HEATING CONTROL (HR)																						●		●					
6412.10 PARK VENTILATION WITH HR																						●							
6412.20 PARK VENTILATION WITH IHKA E36																						●							
6424.0 REAR WINDOW DEFOGGER/ANTENNA						●																		●					



FUSE CHART

FUSES 30 TO 50

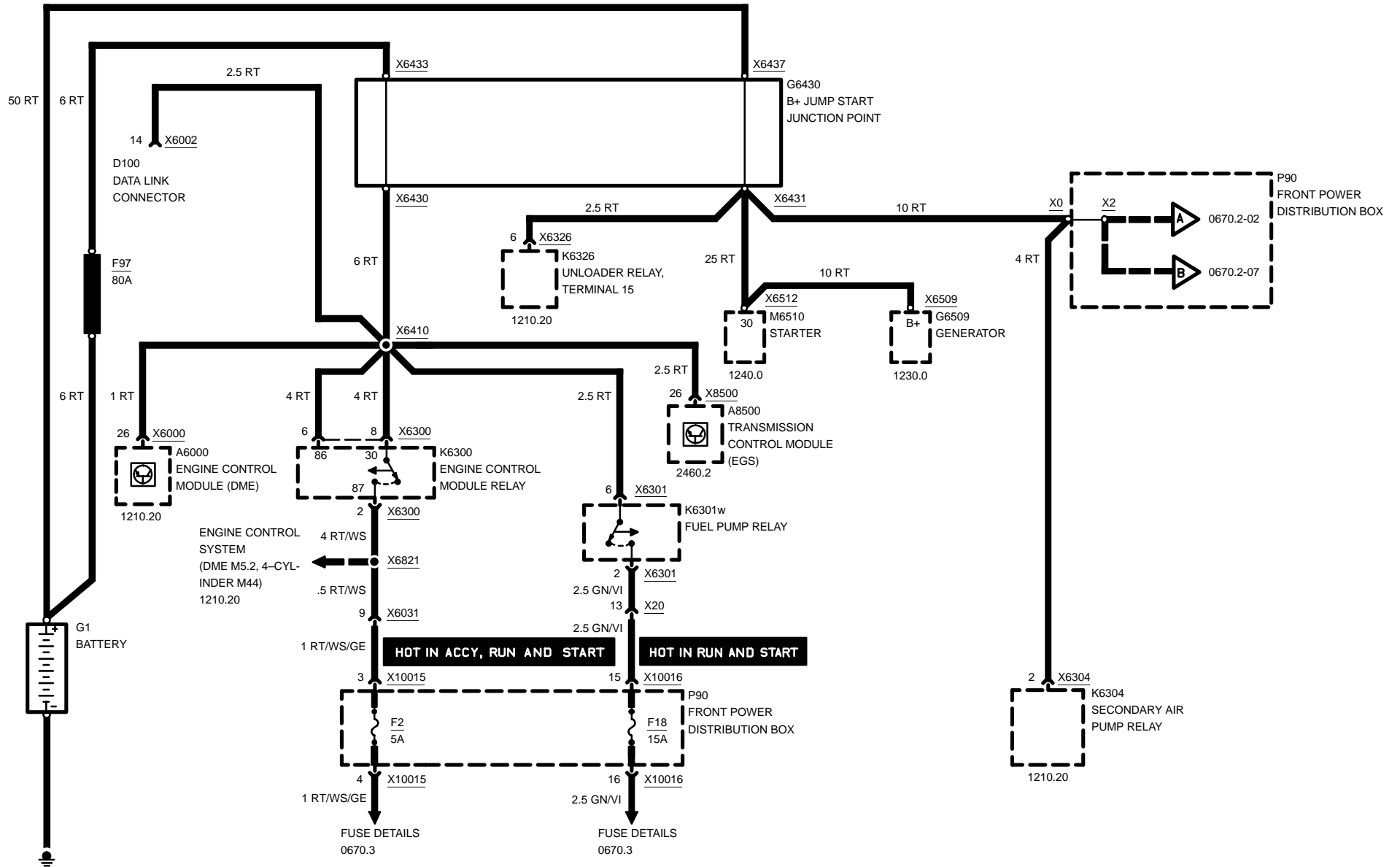
	FUSE NUMBER																				
	30	31	32	33	34	35	36	37	38	39	40	41	42	43	44	45	46	47	48	49	50
	7.5A	5A	30A	10A	15A	25A	30A	10A	30A	7.5A	30A	30A	7.5A	5A	15A	7.5A	15A	15A	40A	20A	5A
1210.17 ENGINE CONTROL SYSTEM MS41.1 (6-CYLINDER M52)										●							●				●
1210.20 ENGINE CONTROL SYSTEM (DME M5.2, 4-CYLINDER M44)										●							●				
1230.0 CHARGING SYSTEM																					
1240.0 START		●														●					
2460.2 ELECTRONIC TRANSMISSION CONTROL (EGS A4S 270R)																	●				
2460.4 ELECTRONIC TRANSMISSION CONTROL (EGS A5S 310Z)																	●				
3234.0 SUPPLEMENTAL RESTRAINT SYSTEM (AIR BAG)													●								
3450.1 SLIP CONTROL (ABS/ASC)									●								●				
5116.0 POWER MIRRORS																					
5120.0 ZKE DOOR LOCK HEATING (TSH)						●															
5126.0 ZKE CENTRAL LOCKING (ZV)		●				●											●				
5133.1 POWER WINDOWS (FH)																					
5200.0 POWER SEATS											●										
5203.0 HEATED SEATS																					
5410.1 POWER TILT/SLIDE SUNROOF (SHD)																					
5430.1 ELECTRICAL CONVERTIBLE TOP													●	●						●	
6100.0 CENTRAL BODY ELECTRONICS (ZKE IV)				●		●								●							
6133.0 HORN																					
6135.0 DRIVE-AWAY PROTECTION (EWS II)		●															●				
6160.1 WIPER/WASHER MODULE (WWM)							●	●							●						



FUSE CHART

FUSES 30 TO 50

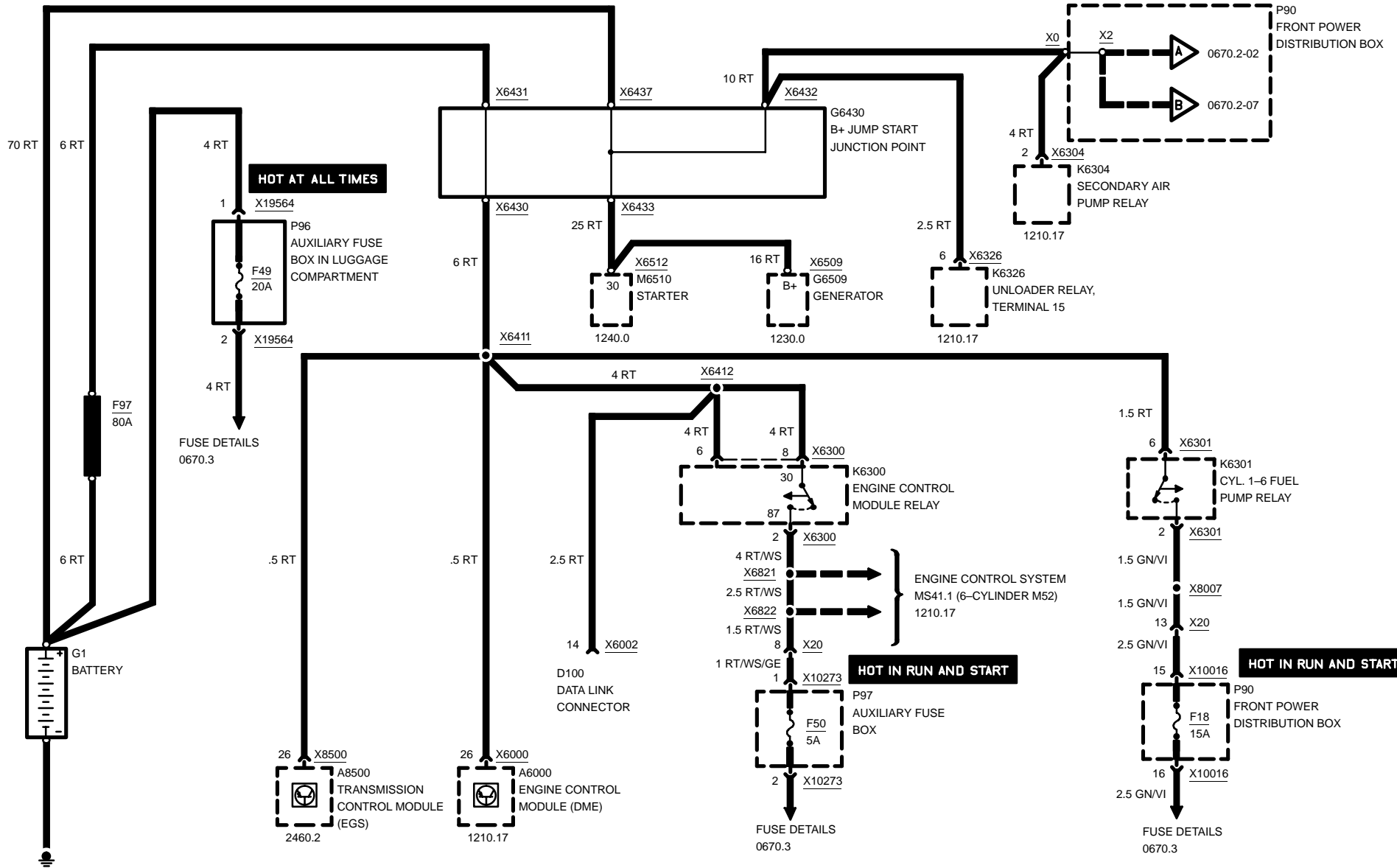
	FUSE NUMBER																				
	30	31	32	33	34	35	36	37	38	39	40	41	42	43	44	45	46	47	48	49	50
	7.5A	5A	30A	10A	15A	25A	30A	10A	30A	7.5A	30A	30A	7.5A	5A	15A	7.5A	15A	15A	40A	20A	5A
6167.1 HEADLIGHT WASHER (SRA)							●								●						
6169.0 WINDSHIELD WASHER JET HEATERS																					
6211.0 INSTRUMENT CLUSTER		●														●	●				
6213.1 ANALOG CLOCK		●																			
6213.2 MULTI-FUNCTION CLOCK		●														●	●				
6214.0 ON-BOARD DISPLAY		●														●	●				
6300.0 LIGHT SWITCH DETAILS				●				●													
6312.0 HEADLIGHTS/FOG LIGHTS	●																				
6313.0 TURN/HAZARD LIGHTS				●																	
6314.0 PARK/TAIL/UNDERHOOD LIGHTS				●				●													
6320.0 LICENSE PLATE/LUGGAGE COMPARTMENT LIGHTS				●				●													
6322.0 BACK UP LIGHTS																					
6325.0 BRAKE LIGHTS																	●				
6330.3 INTERIOR LIGHTS				●										●							
6332.1 GLOVE BOX LIGHT/CASSETTE BOX/ASHTRAY LIGHT/CHARGING SOCKET/CIGAR LIGHTER		●	●					●							●						
6350.0 CRASH CONTROL MODULE					●																
6410.5 HEATING CONTROL (HR)																					
6412.10 PARK VENTILATION WITH HR																					
6412.20 PARK VENTILATION WITH IHKA E36																					
6424.0 REAR WINDOW DEFOGGER/ANTENNA														●							





POWER DISTRIBUTION

323i, 328i, M3



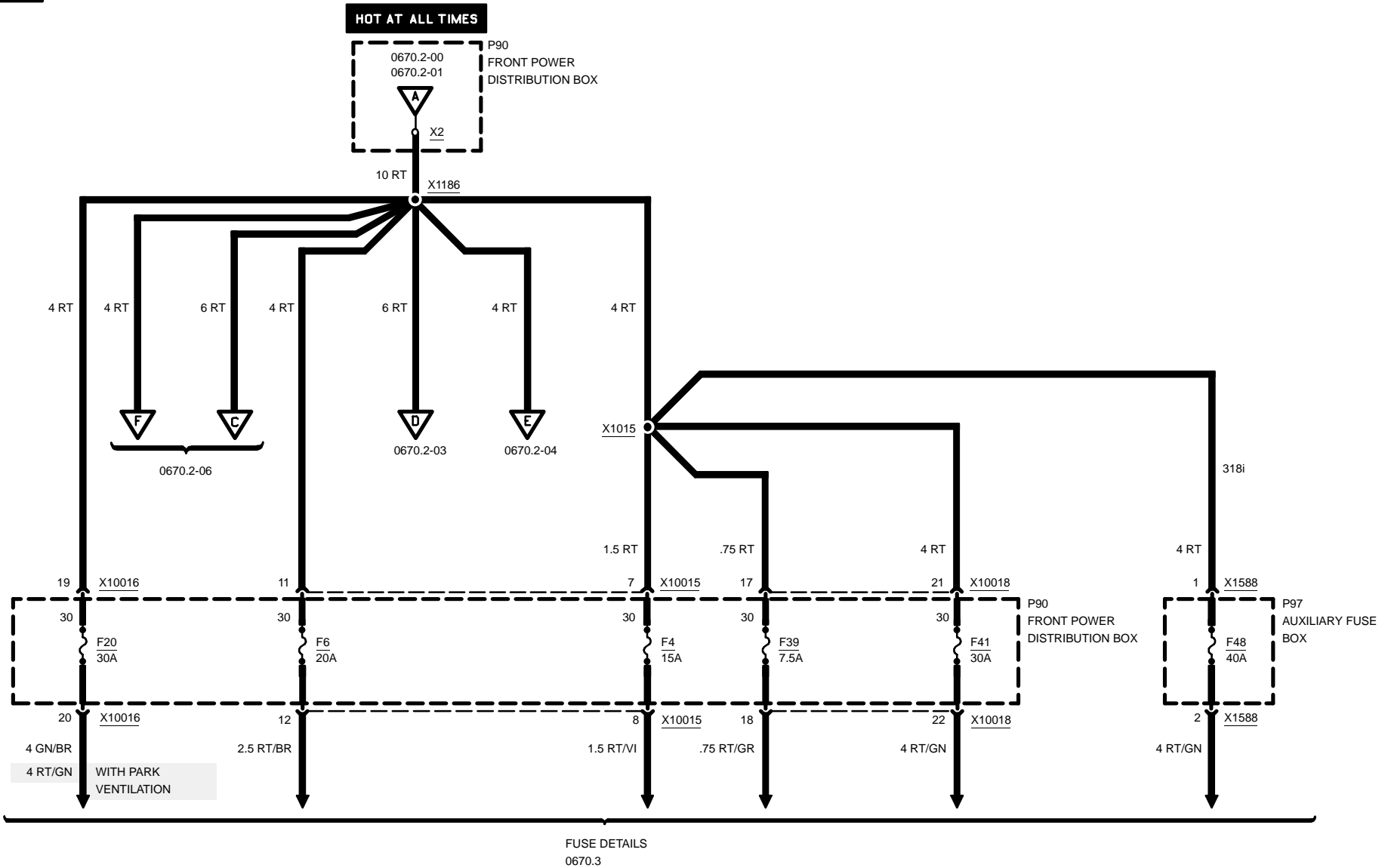
03/00

0670.2-01

1999

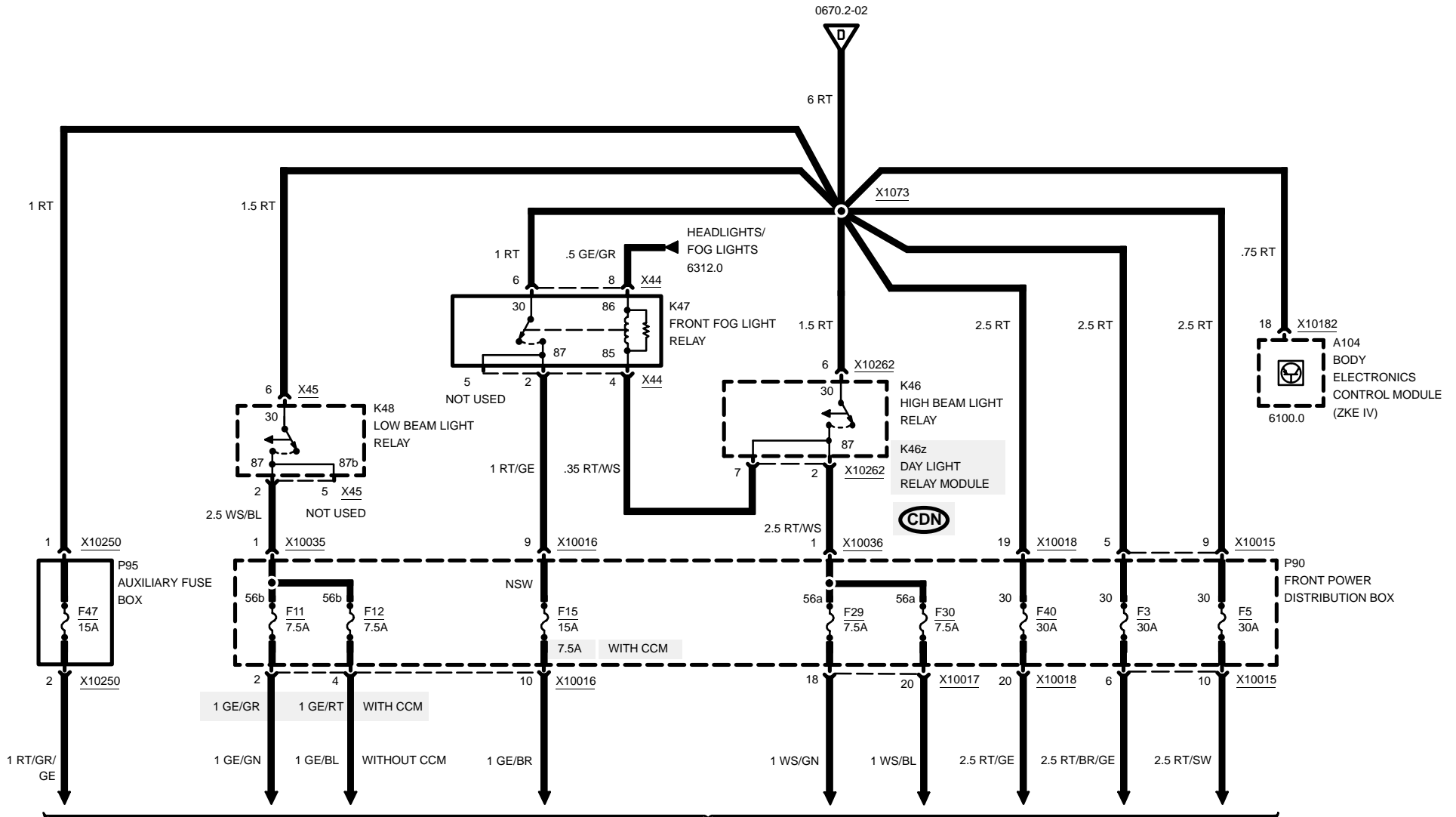


POWER DISTRIBUTION





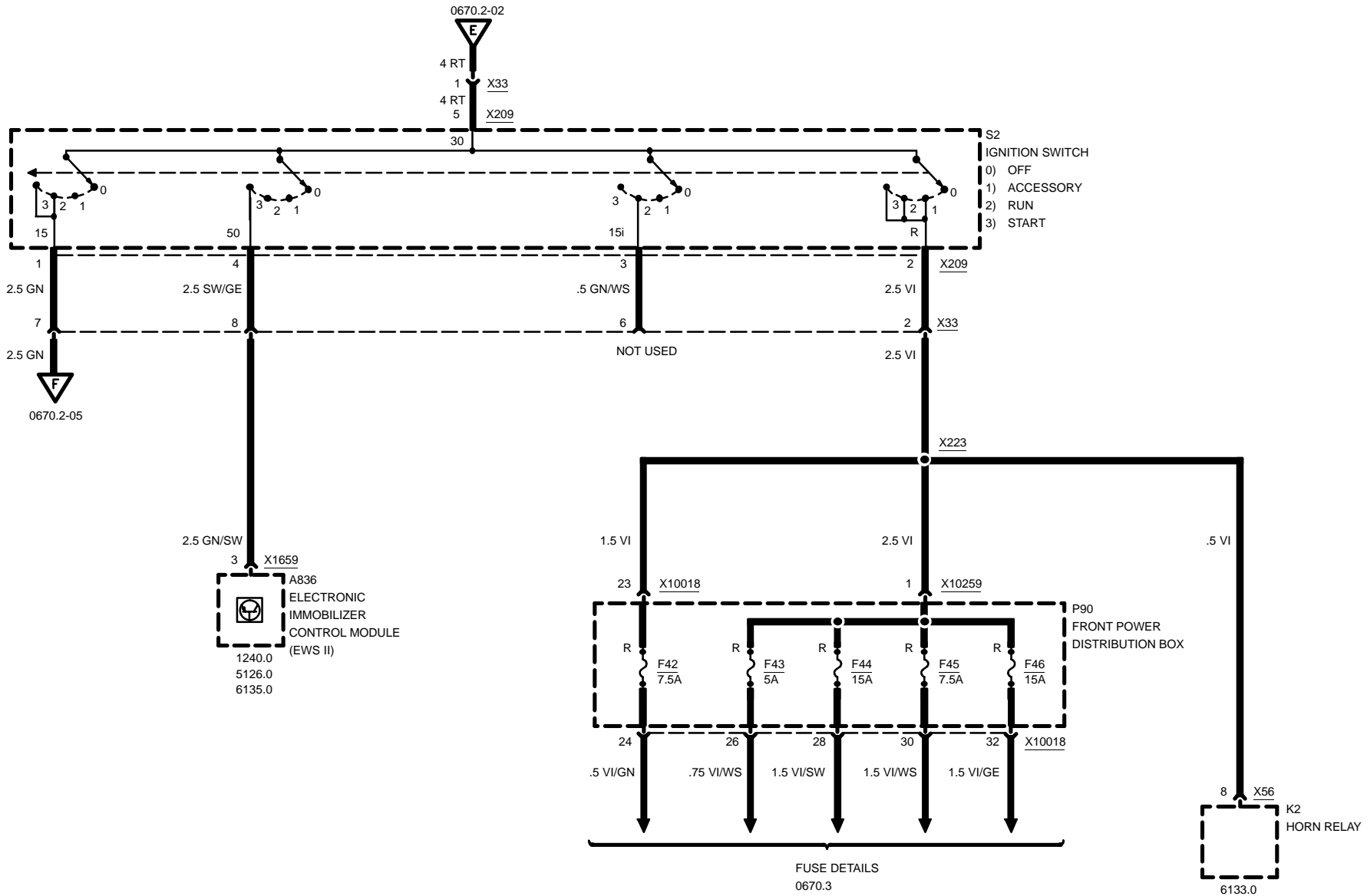
POWER DISTRIBUTION



FUSE DETAILS
0670.3



POWER DISTRIBUTION



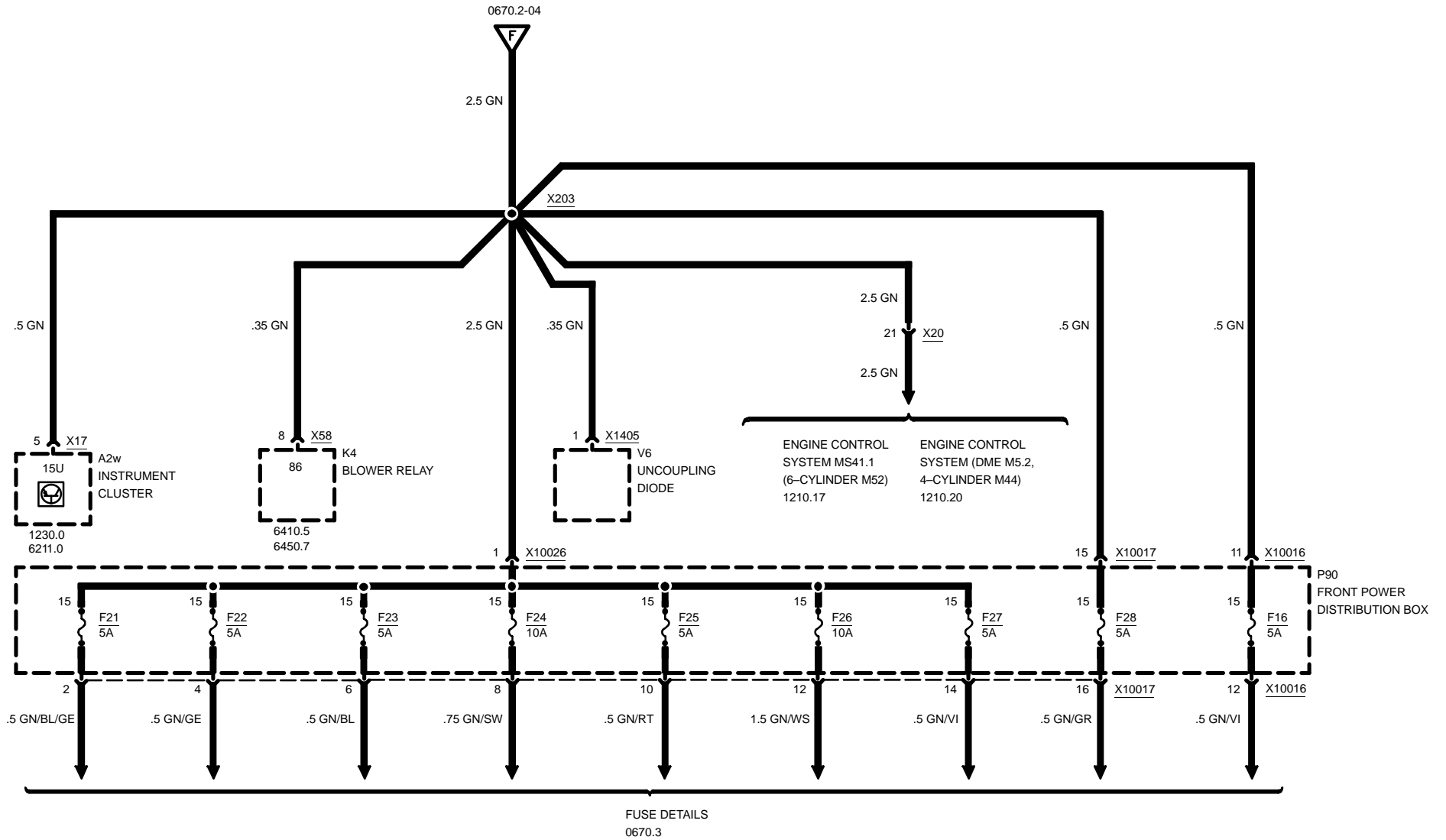
03/00

0670.2-04

1999



POWER DISTRIBUTION



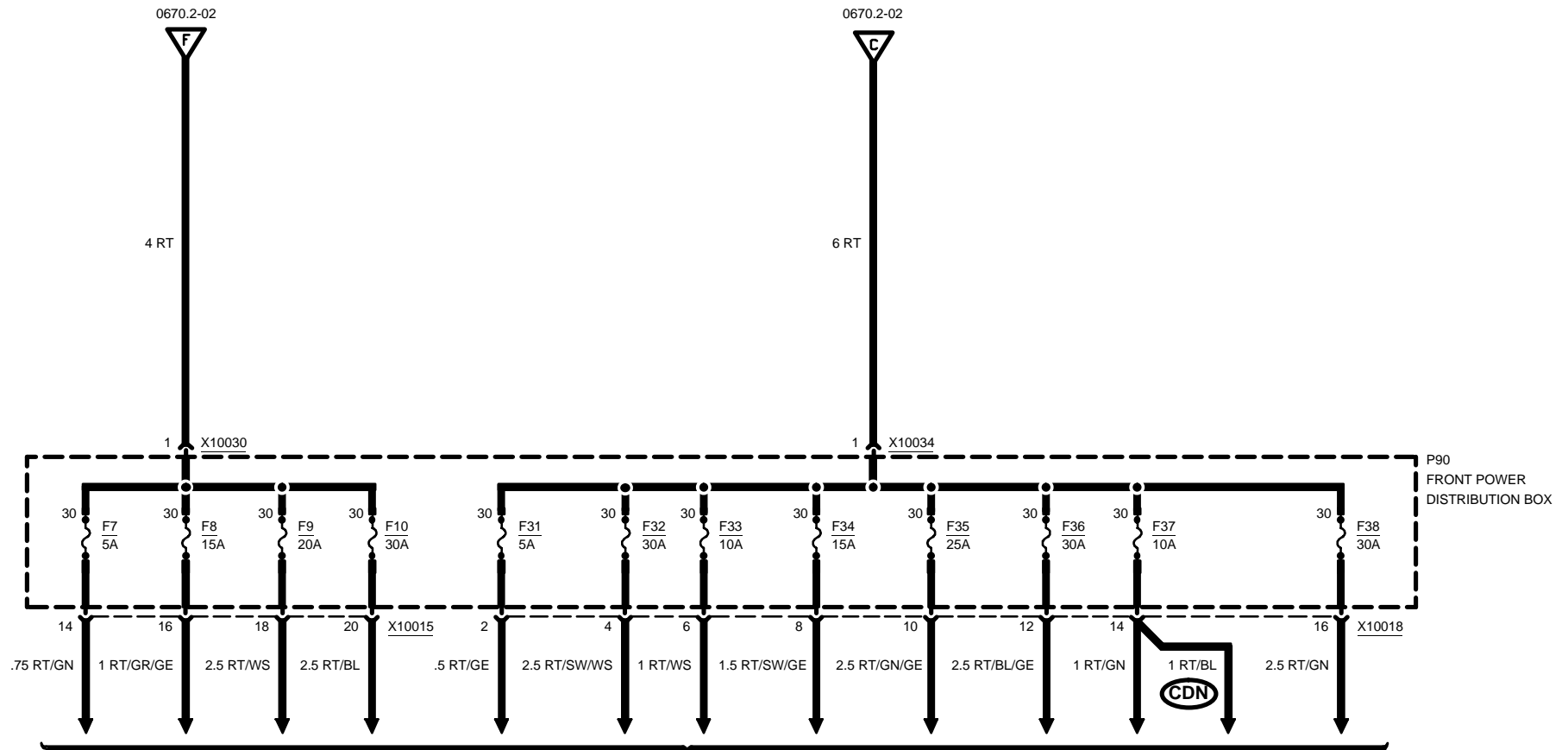
03/00

0670.2-05

1999



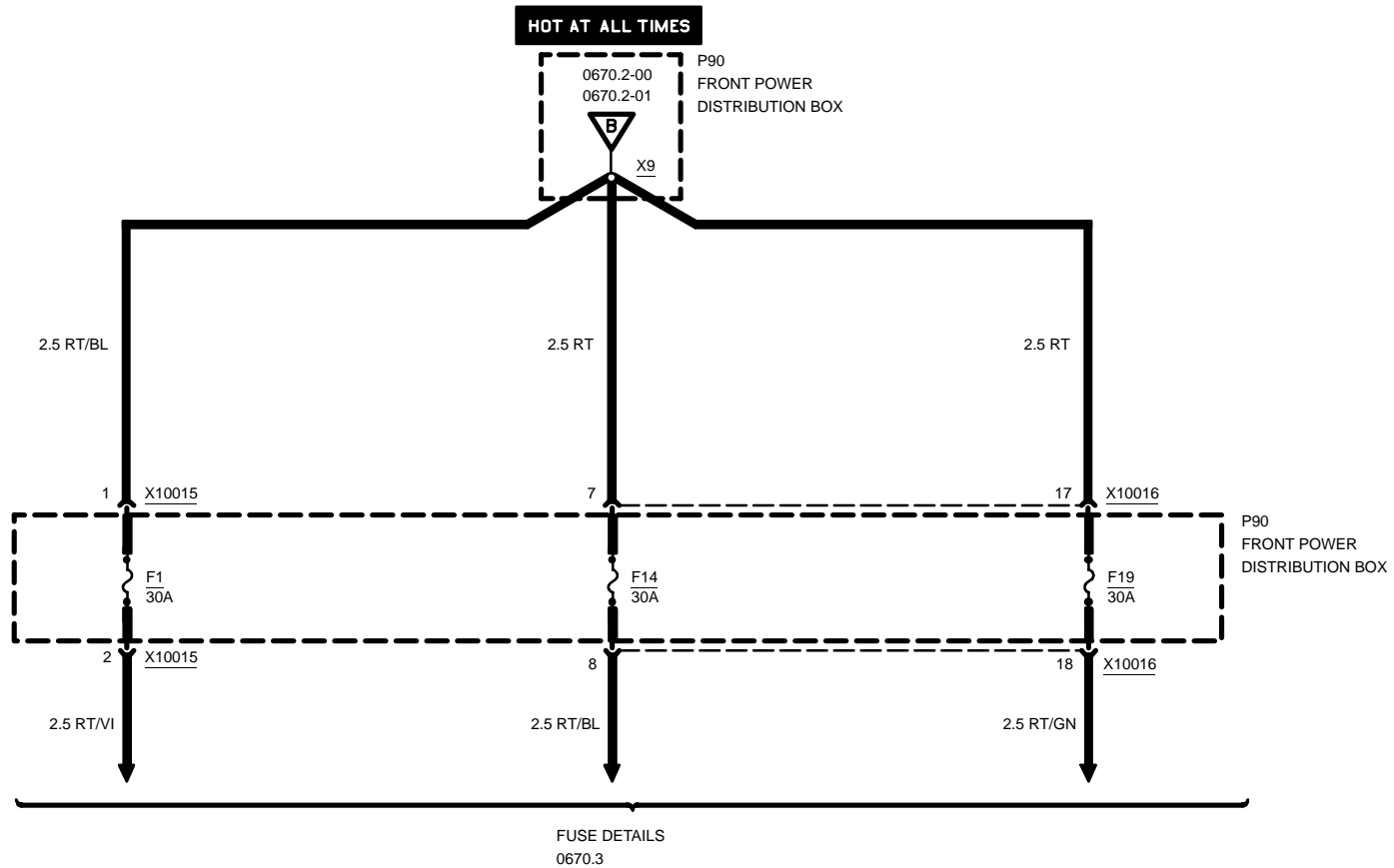
POWER DISTRIBUTION



FUSE DETAILS
0670.3



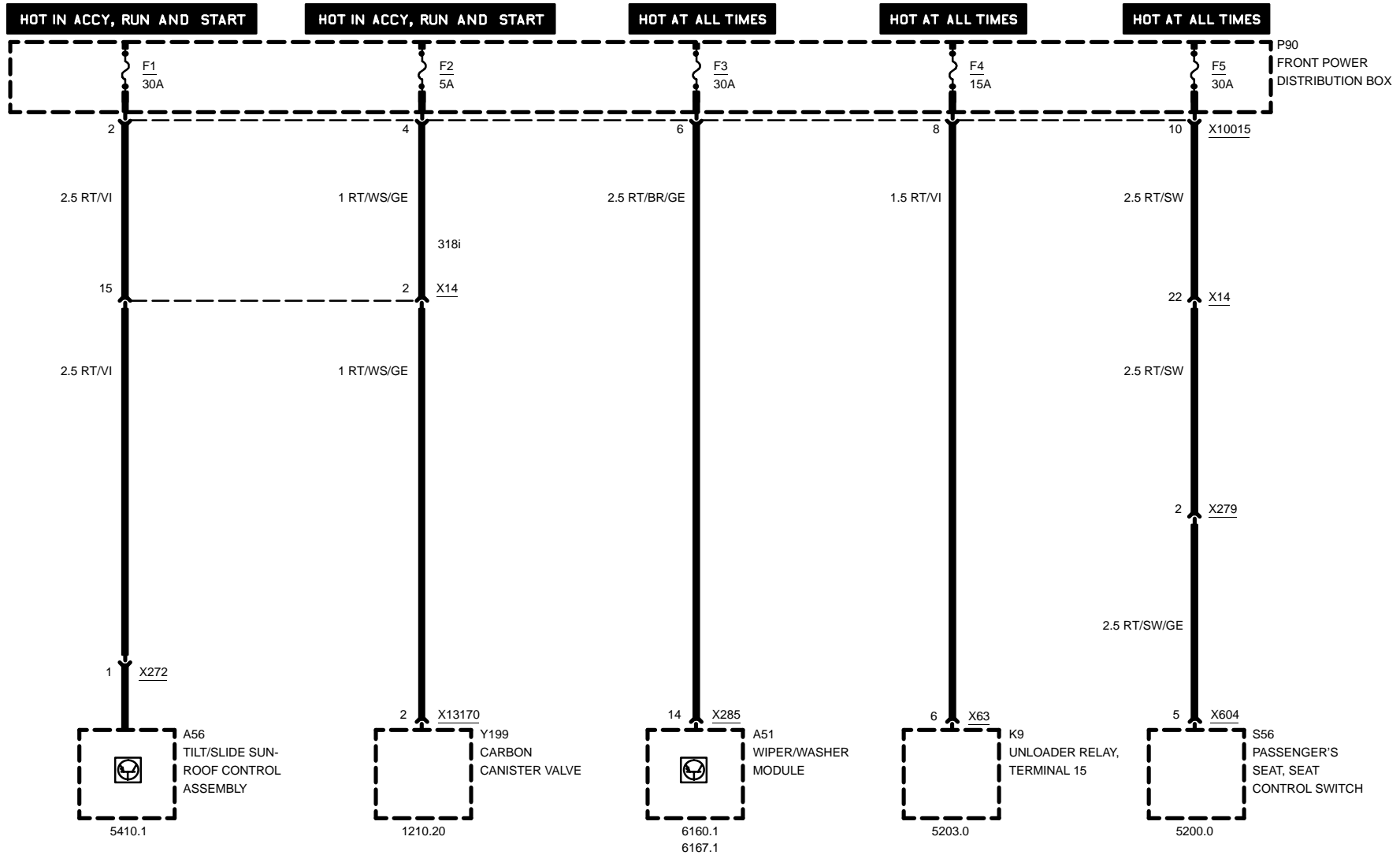
POWER DISTRIBUTION





0670.3 FUSE DETAILS

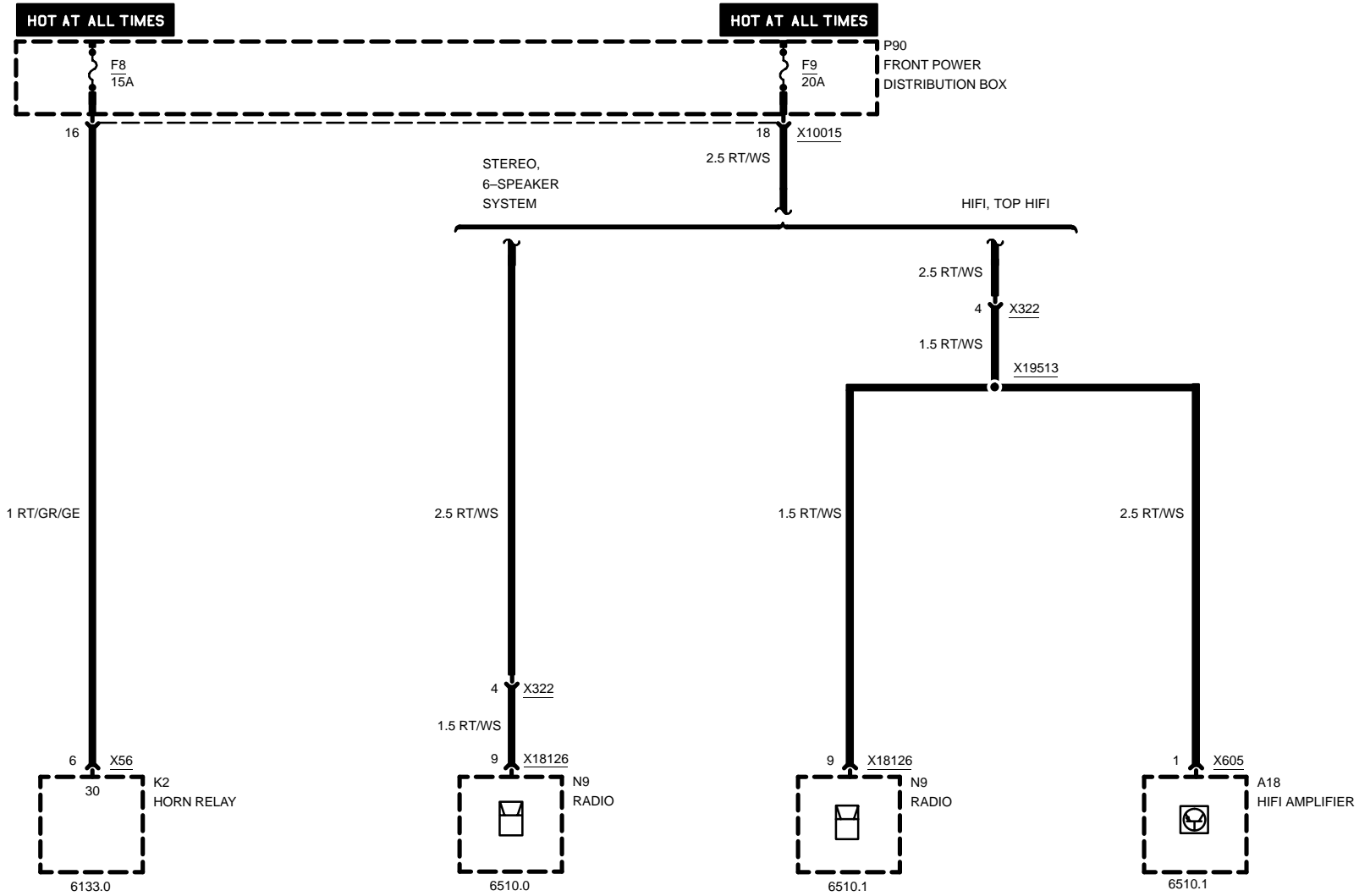
FUSES 1, 2, 3, 4, AND 5





FUSE DETAILS

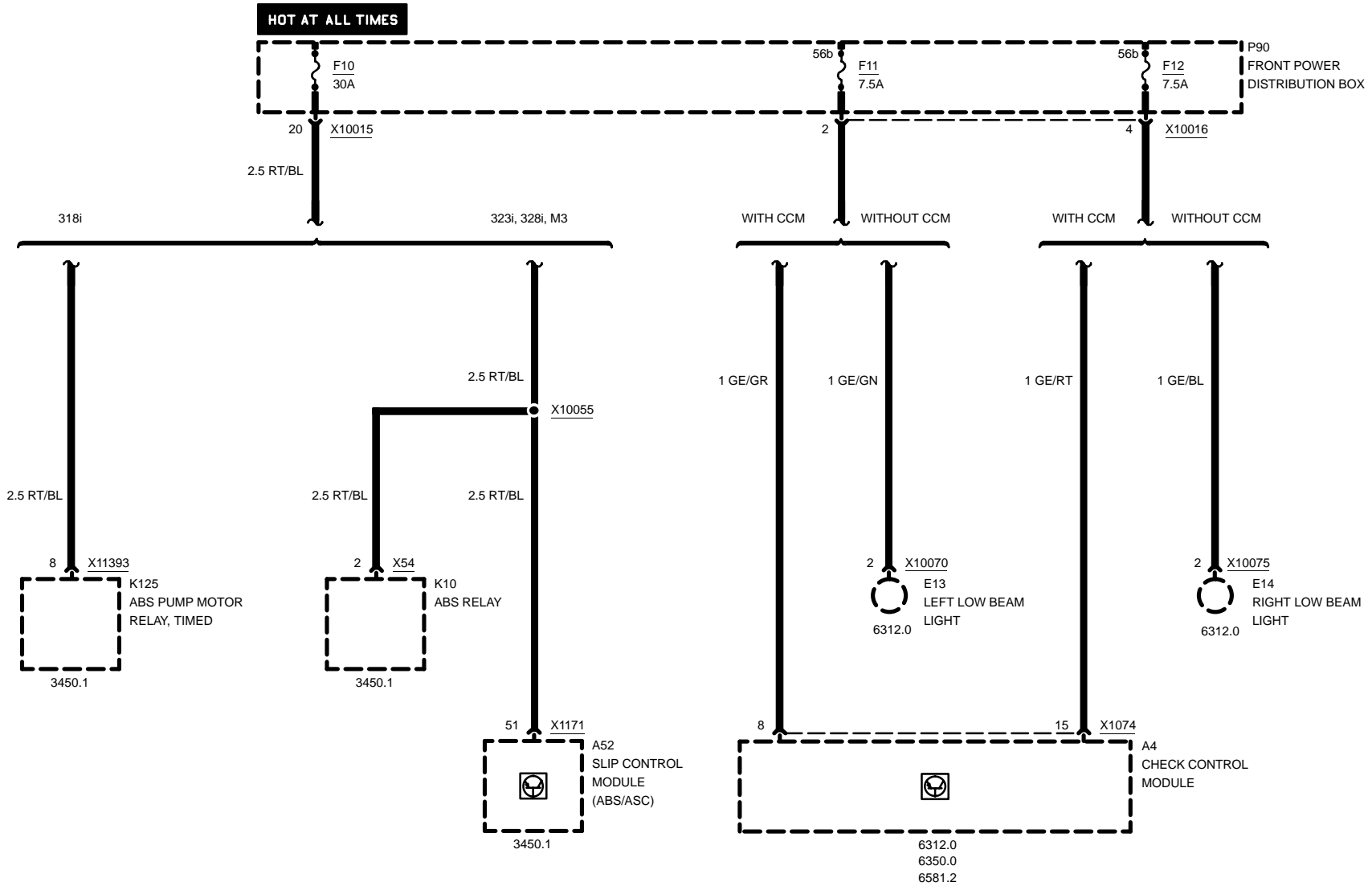
FUSES 8 AND 9





FUSE DETAILS

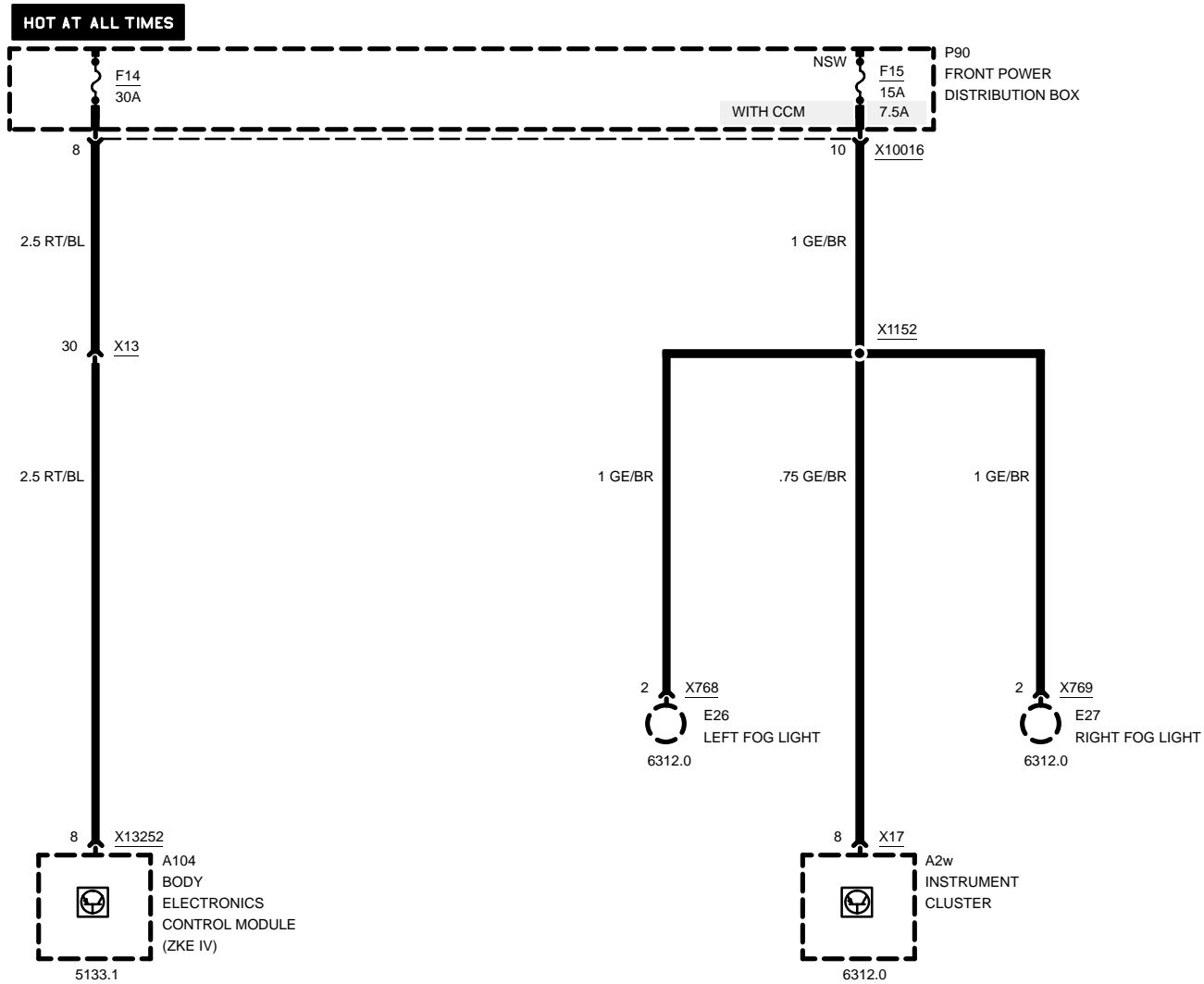
FUSES 10, 11, AND 12





FUSE DETAILS

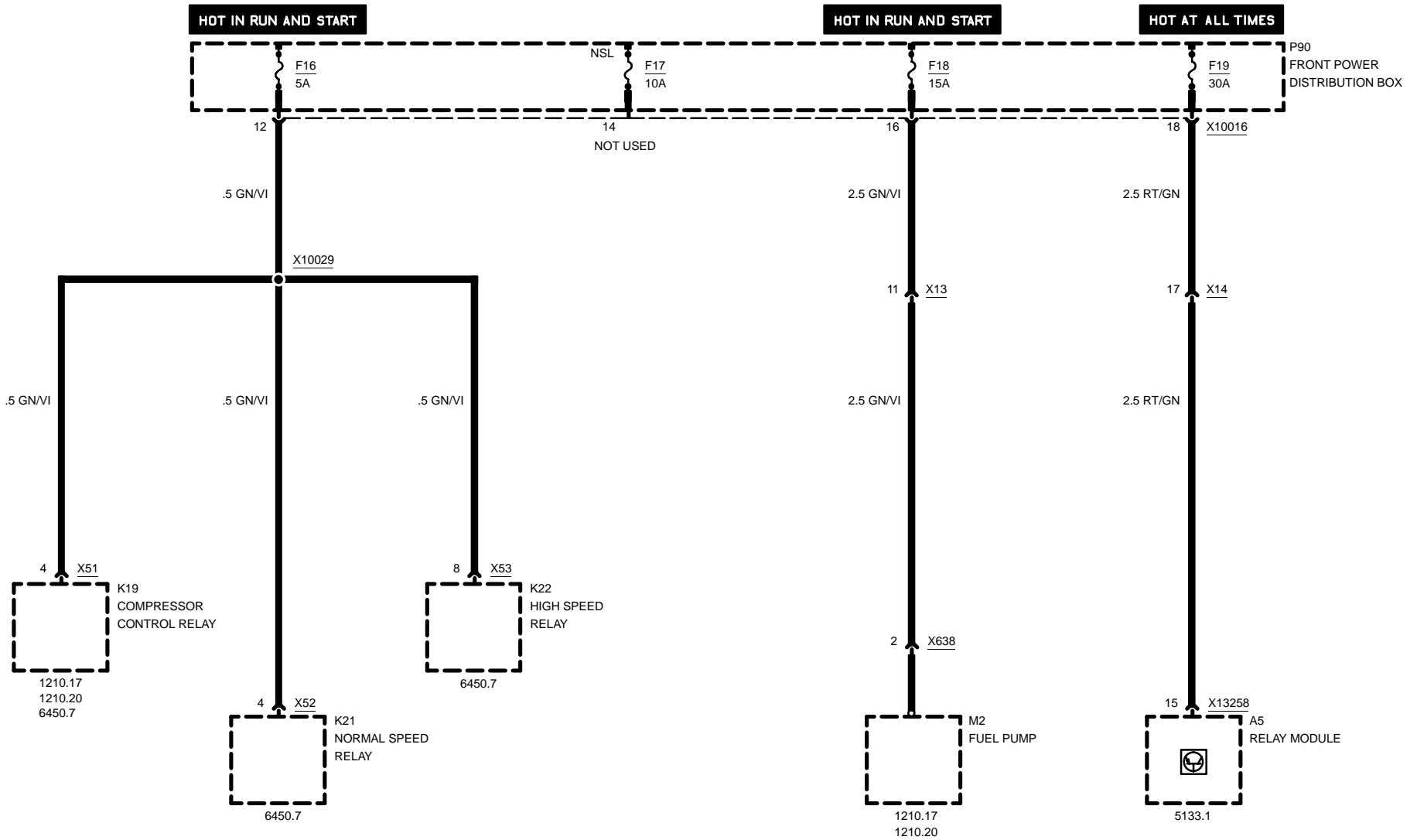
FUSES 14 AND 15





FUSE DETAILS

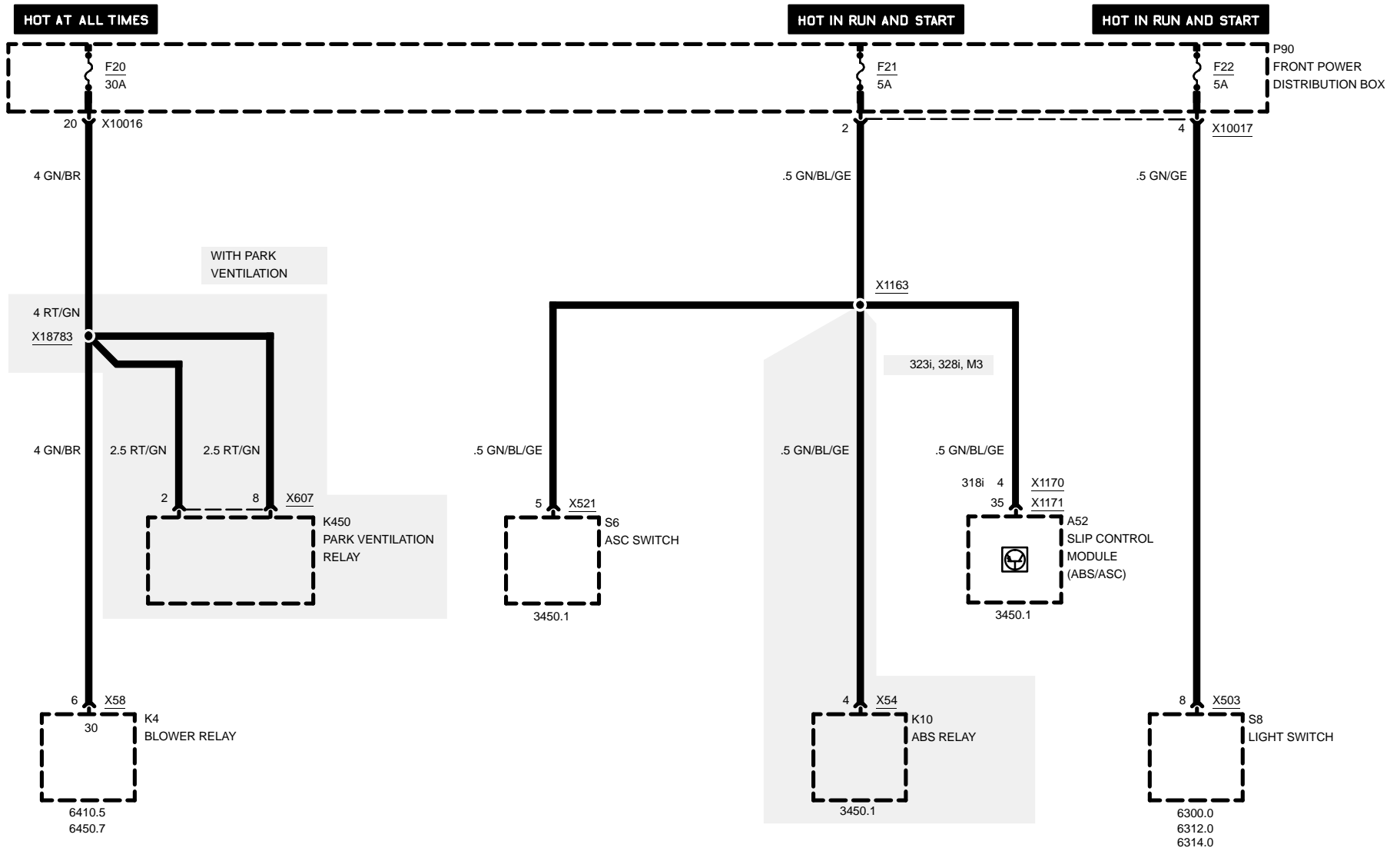
FUSES 16, 17, 18, AND 19





FUSE DETAILS

FUSES 20, 21, AND 22



03/00

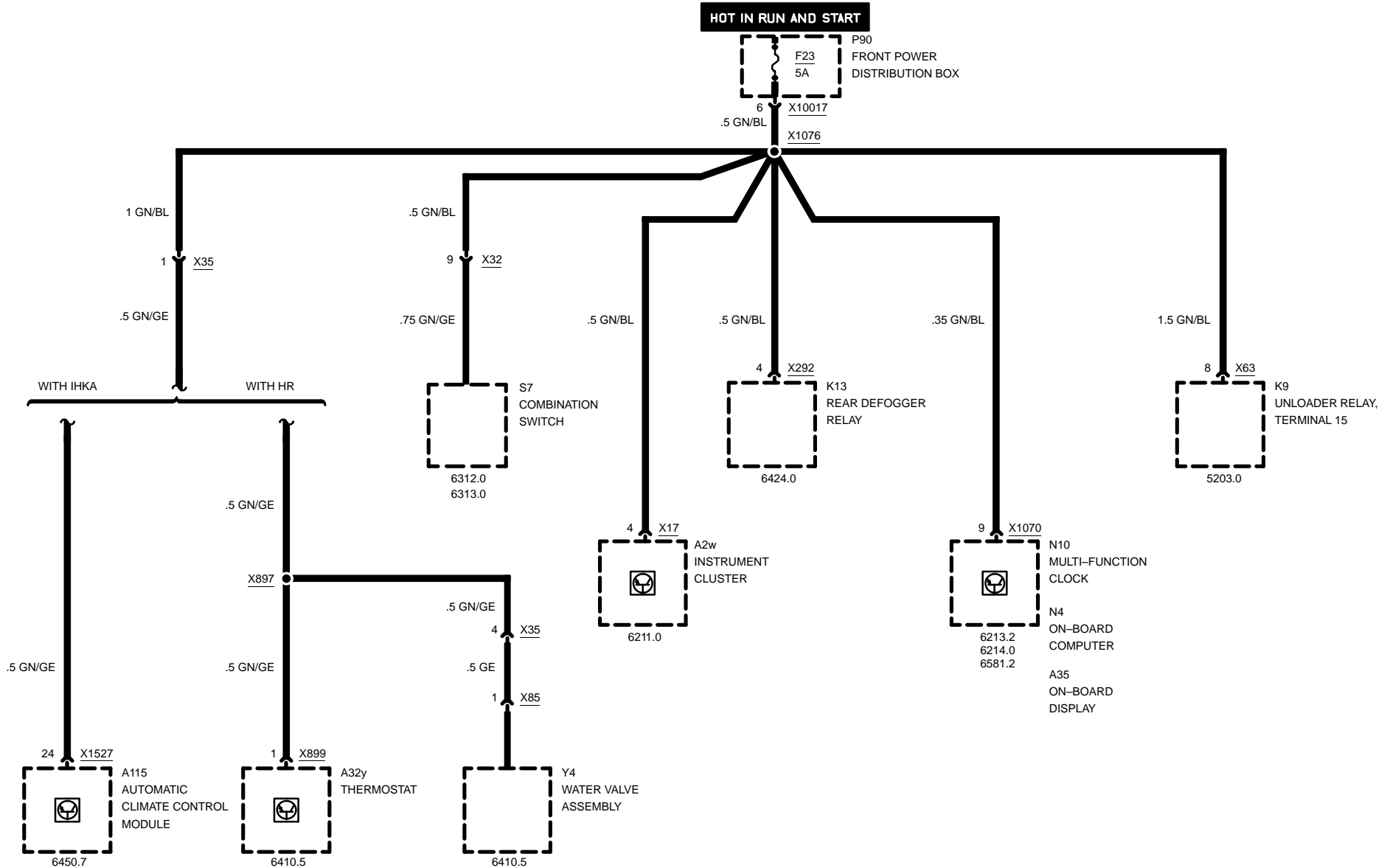
0670.3-06

1999



FUSE DETAILS

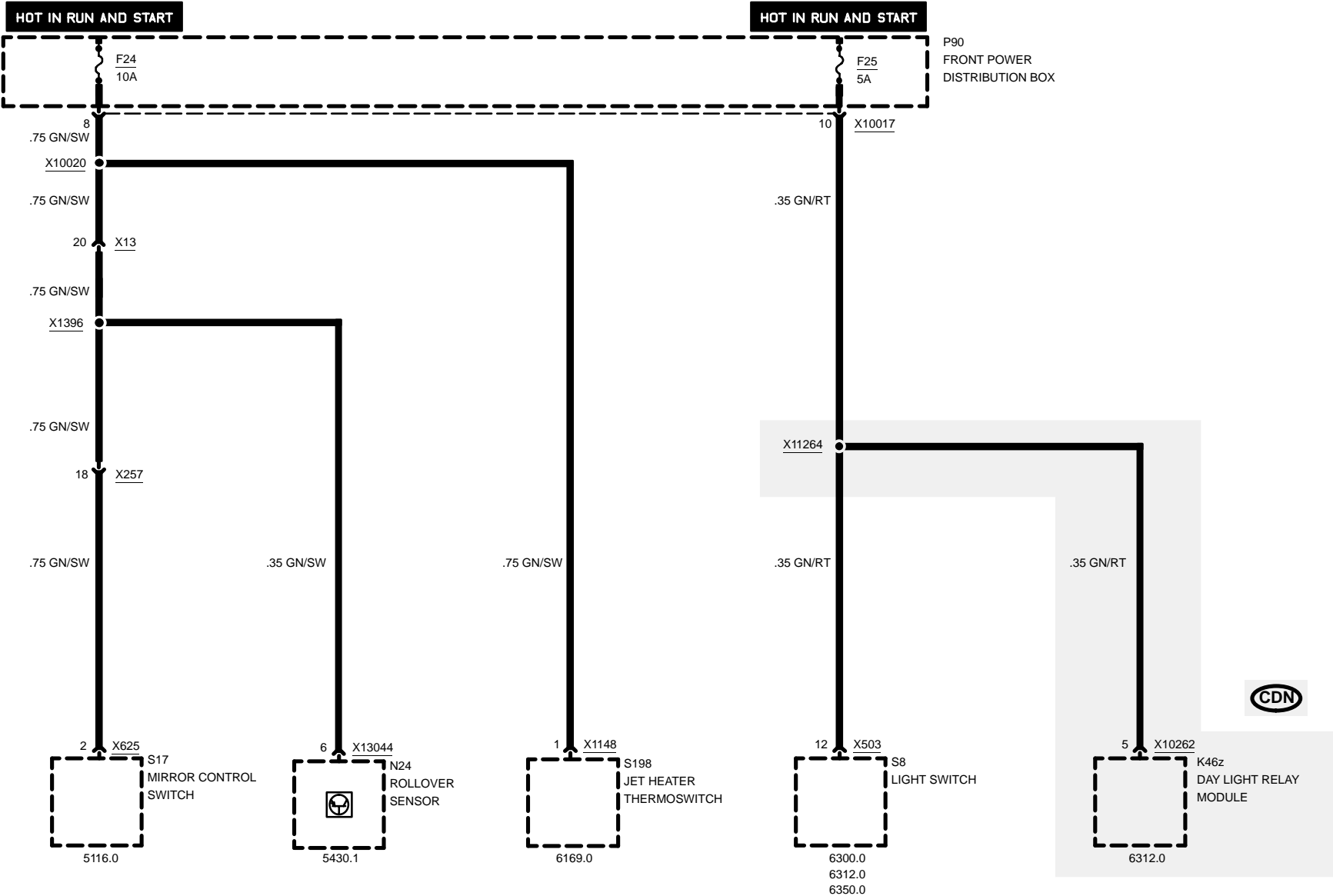
FUSE 23





FUSE DETAILS

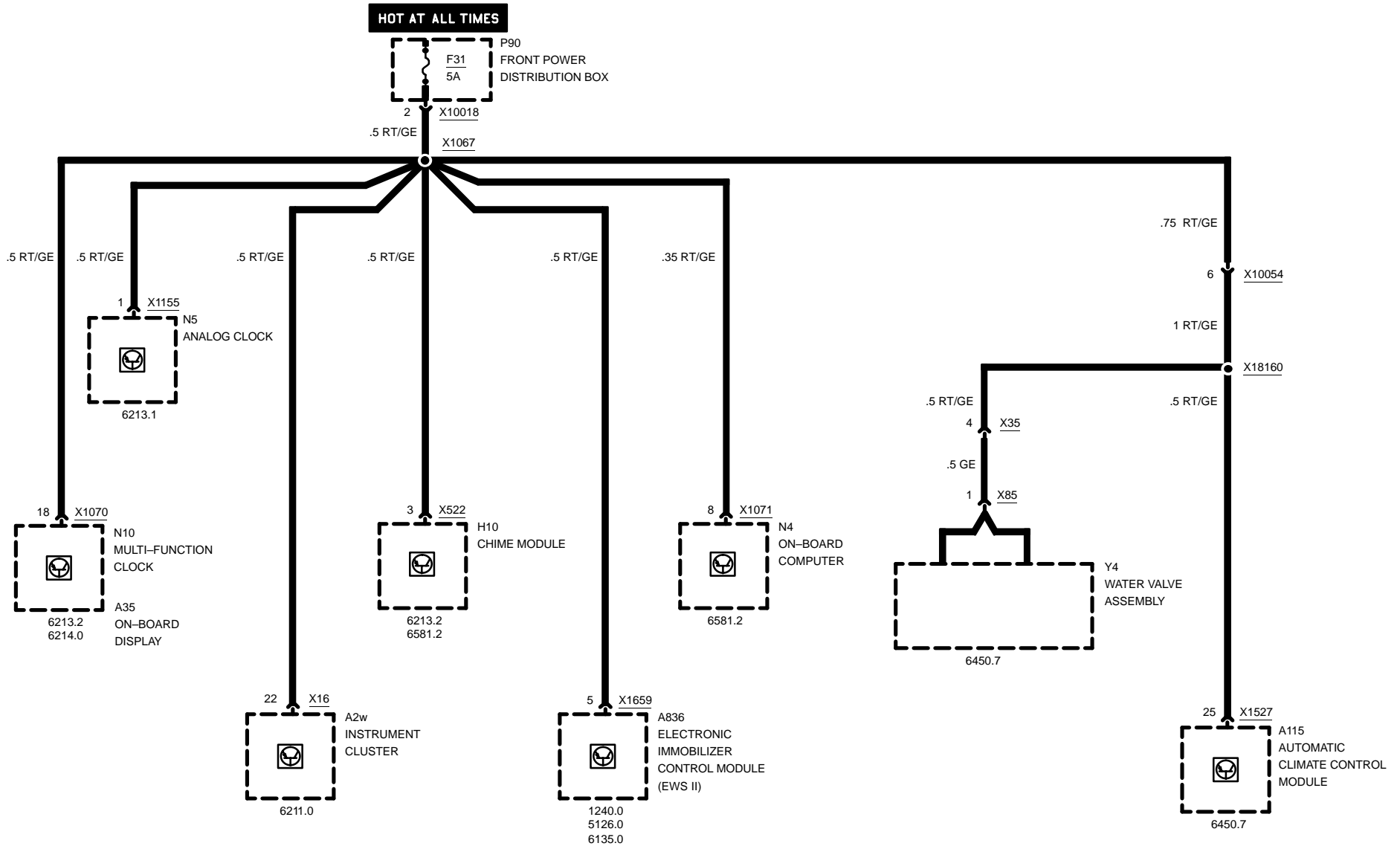
FUSES 24 AND 25





FUSE DETAILS

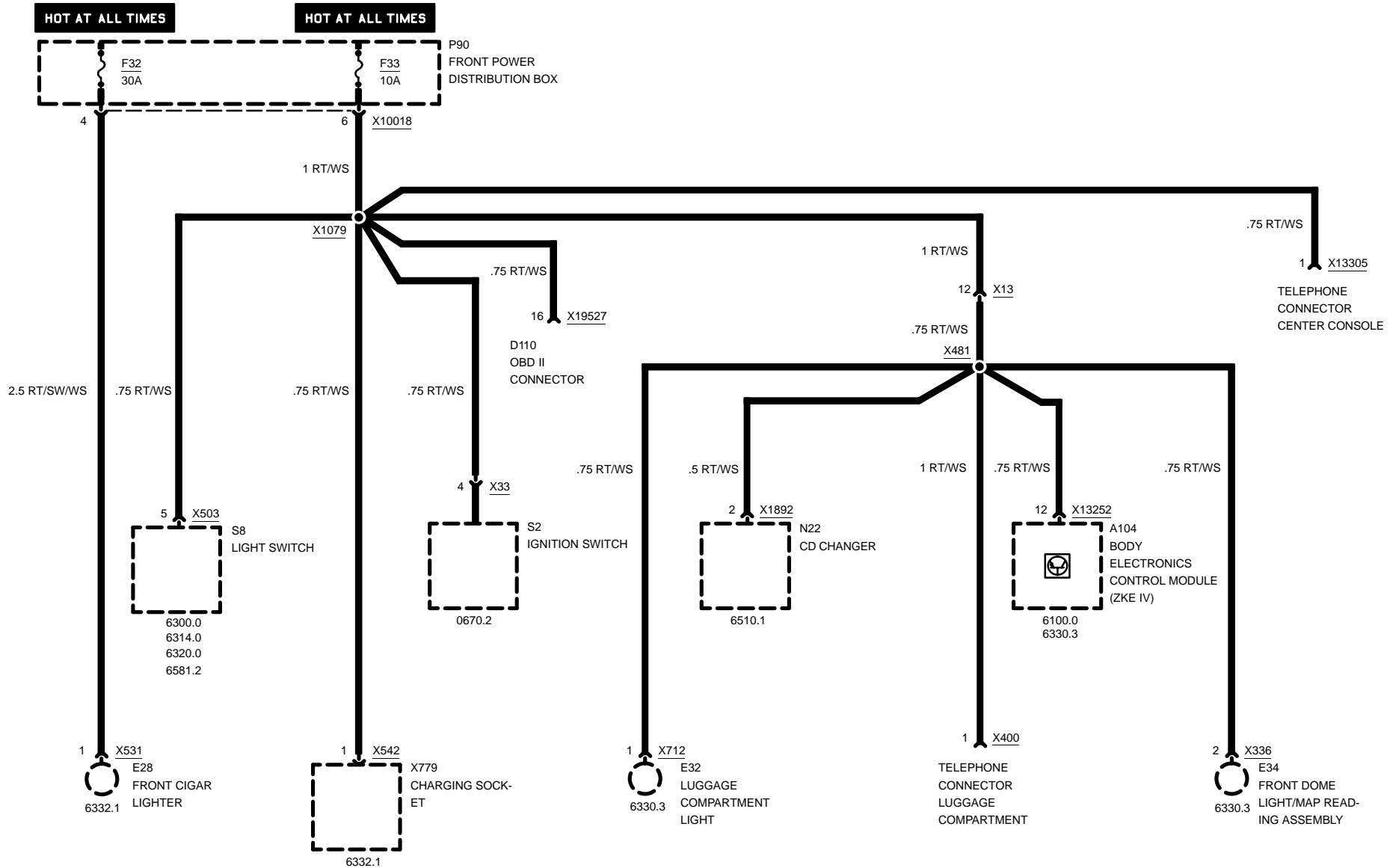
FUSE 31





FUSE DETAILS

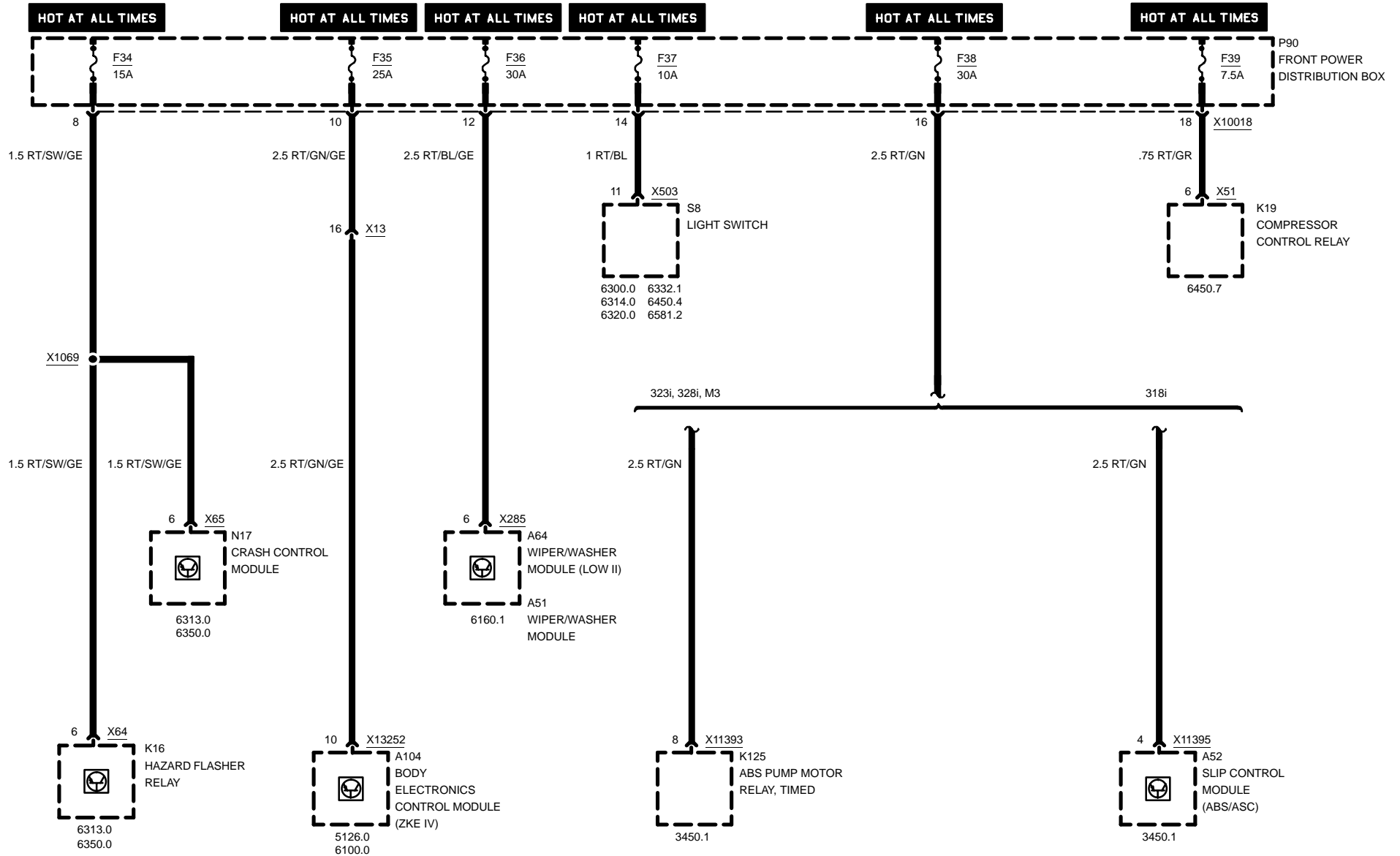
FUSES 32 AND 33





FUSE DETAILS

FUSES 34, 35, 36, 37, 38, AND 39



03/00

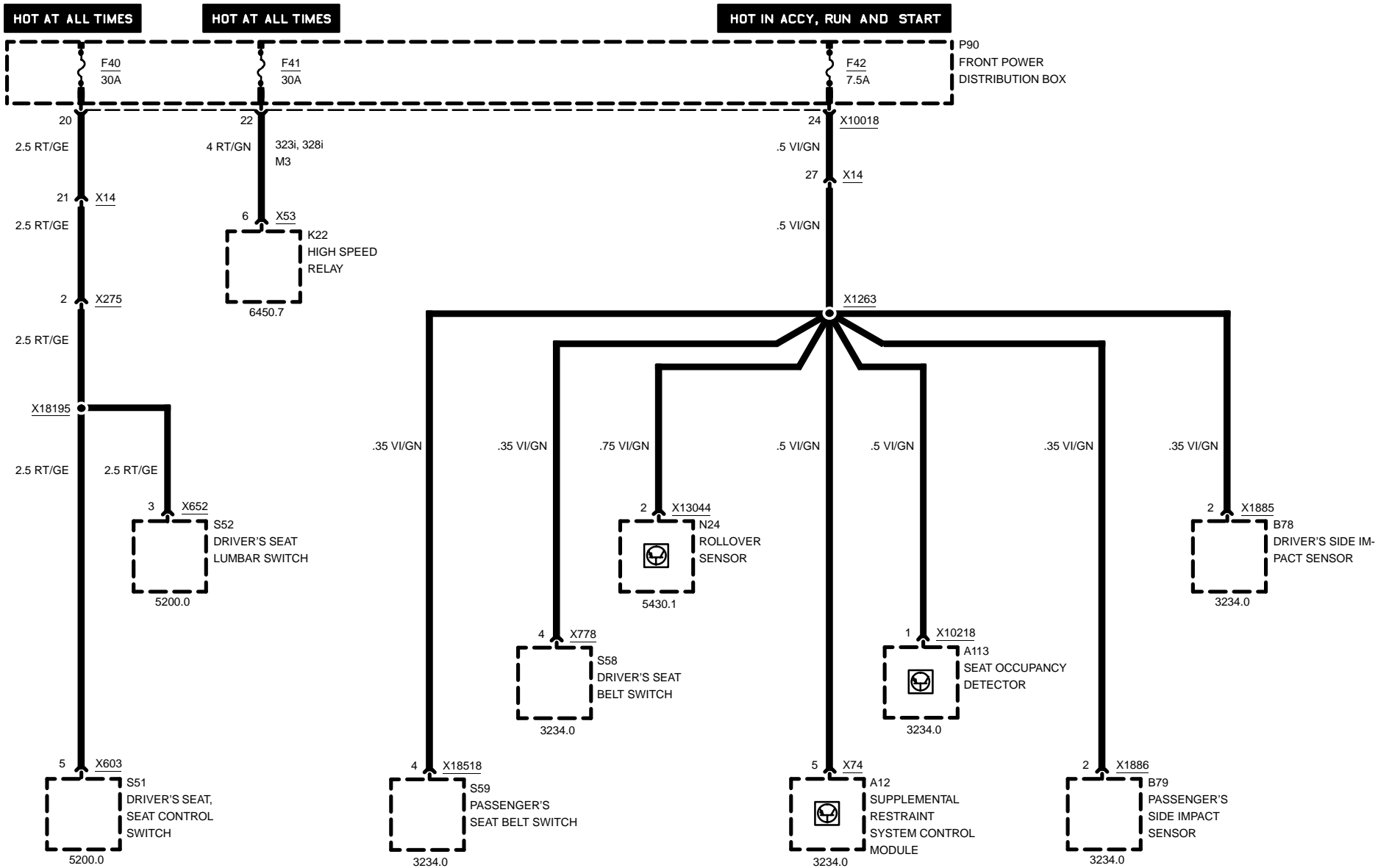
0670.3-12

1999



FUSE DETAILS

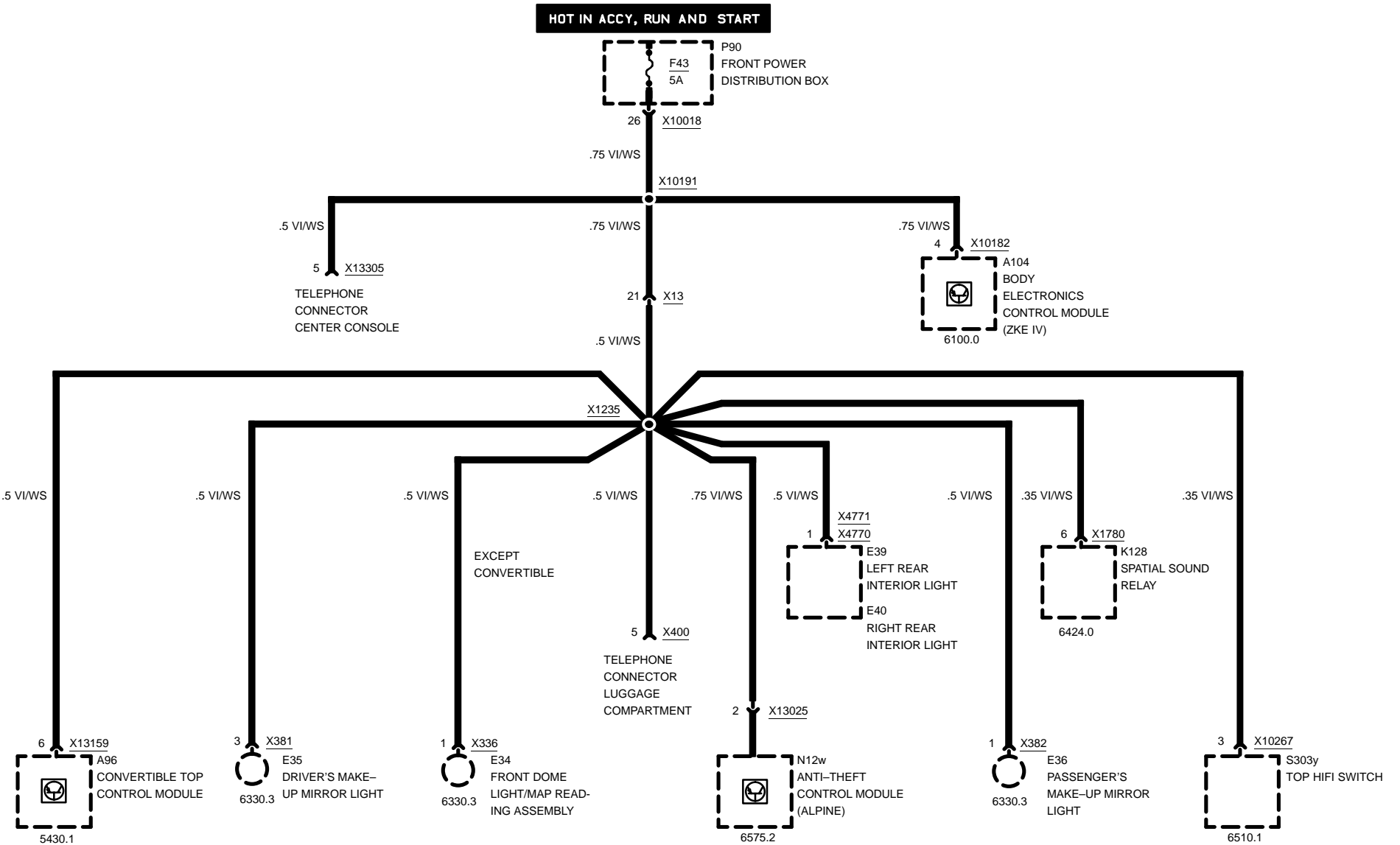
FUSES 40, 41, AND 42





FUSE DETAILS

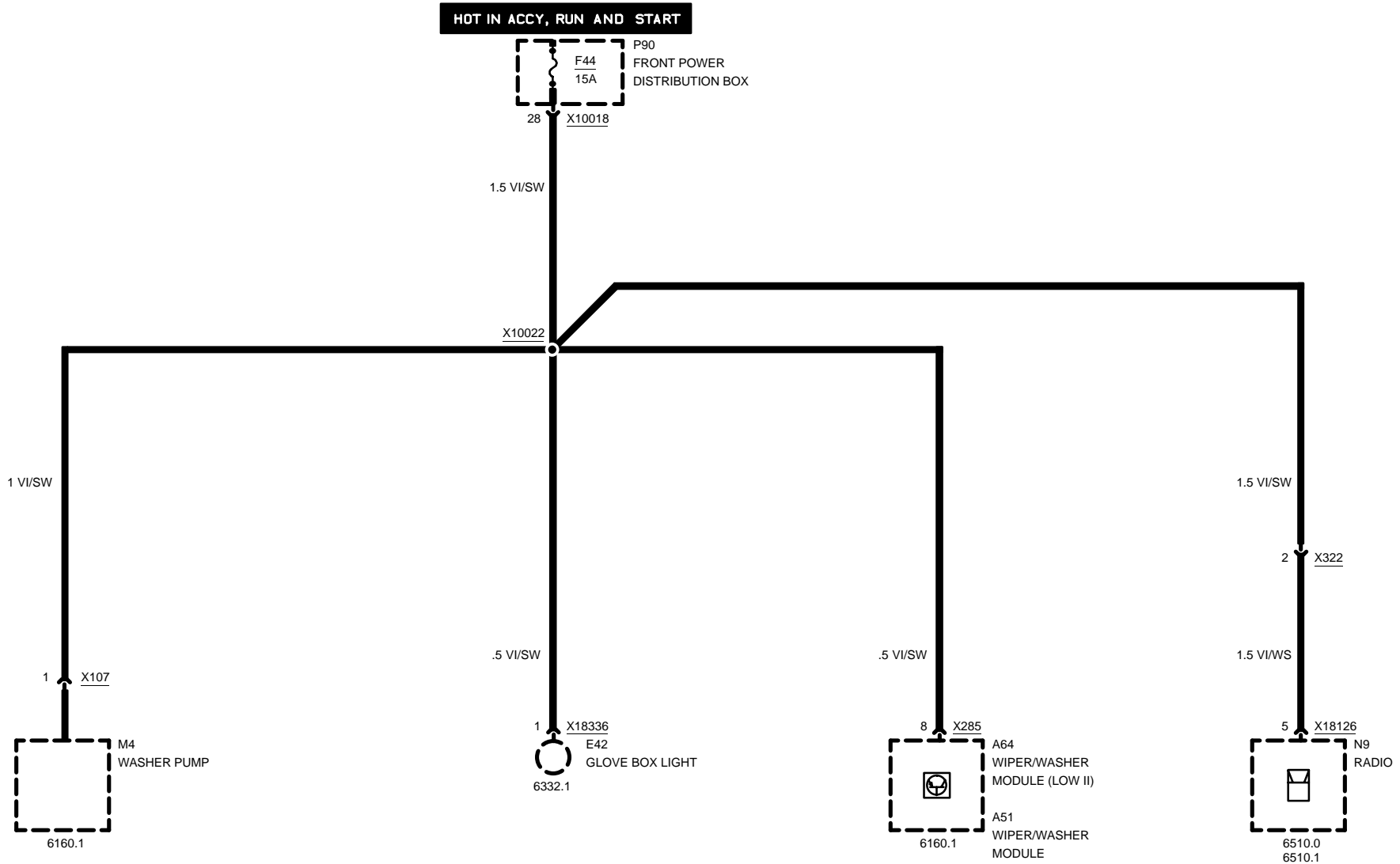
FUSE 43





FUSE DETAILS

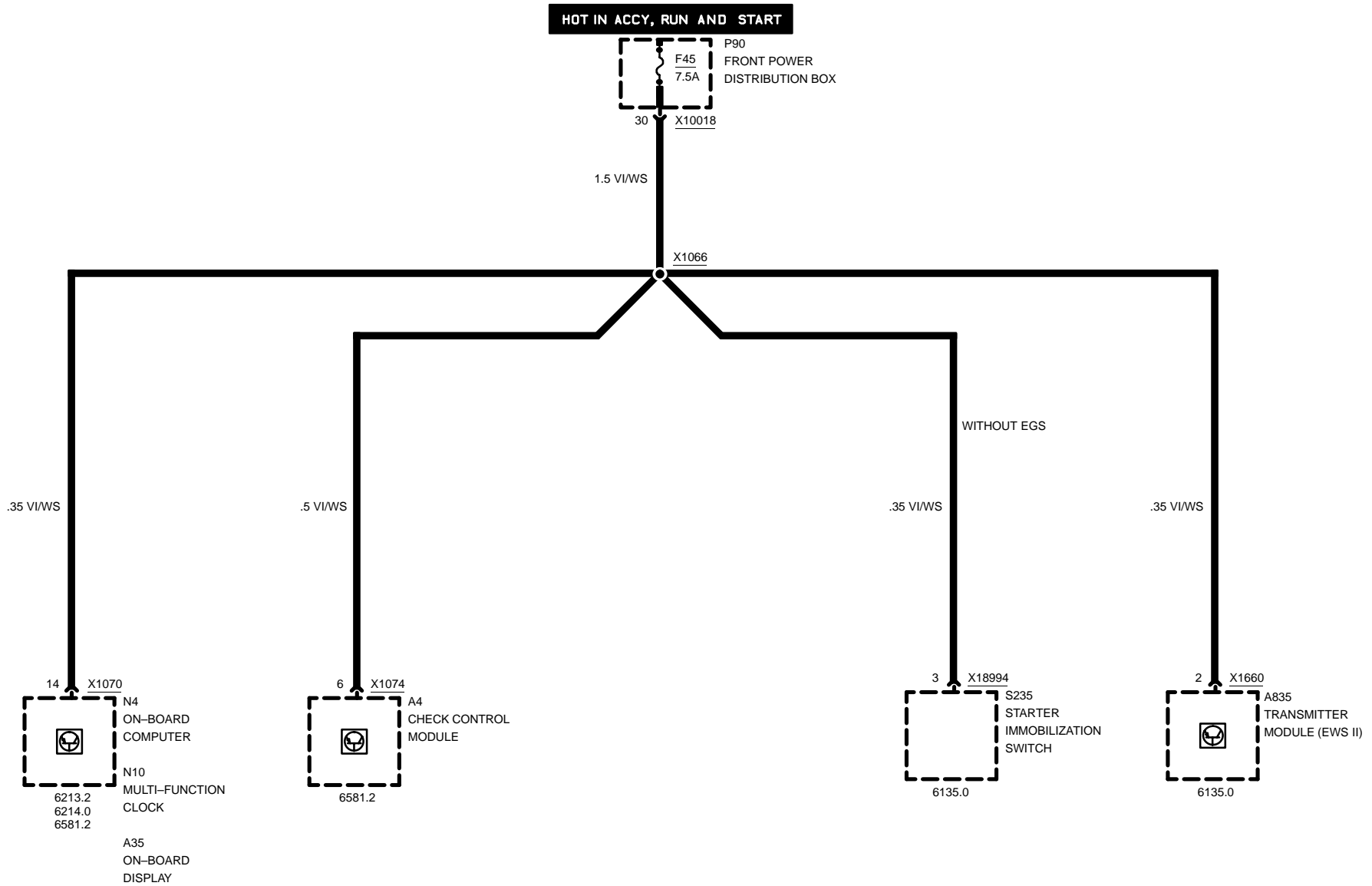
FUSE 44





FUSE DETAILS

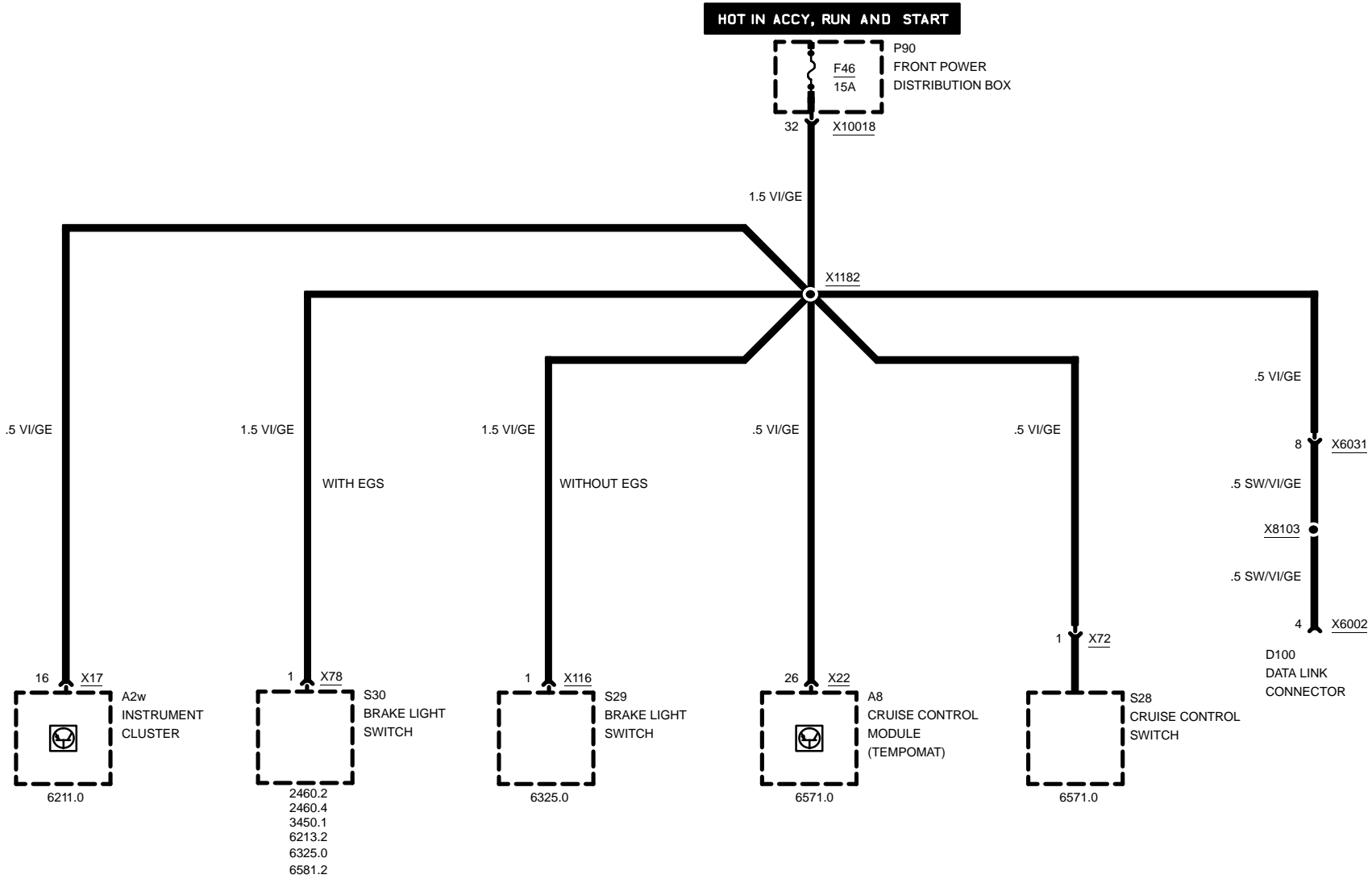
FUSE 45





FUSE DETAILS

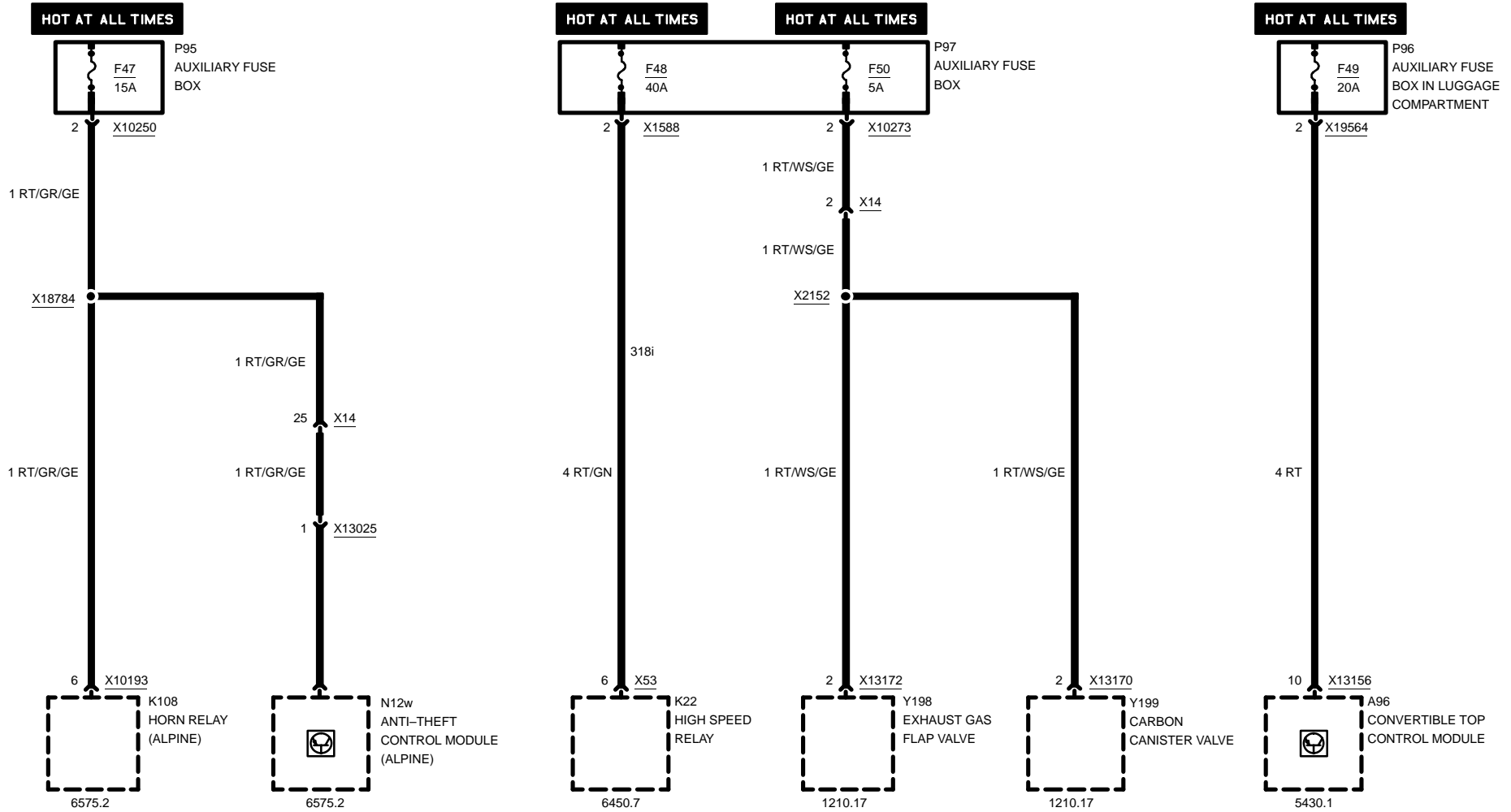
FUSE 46





FUSE DETAILS

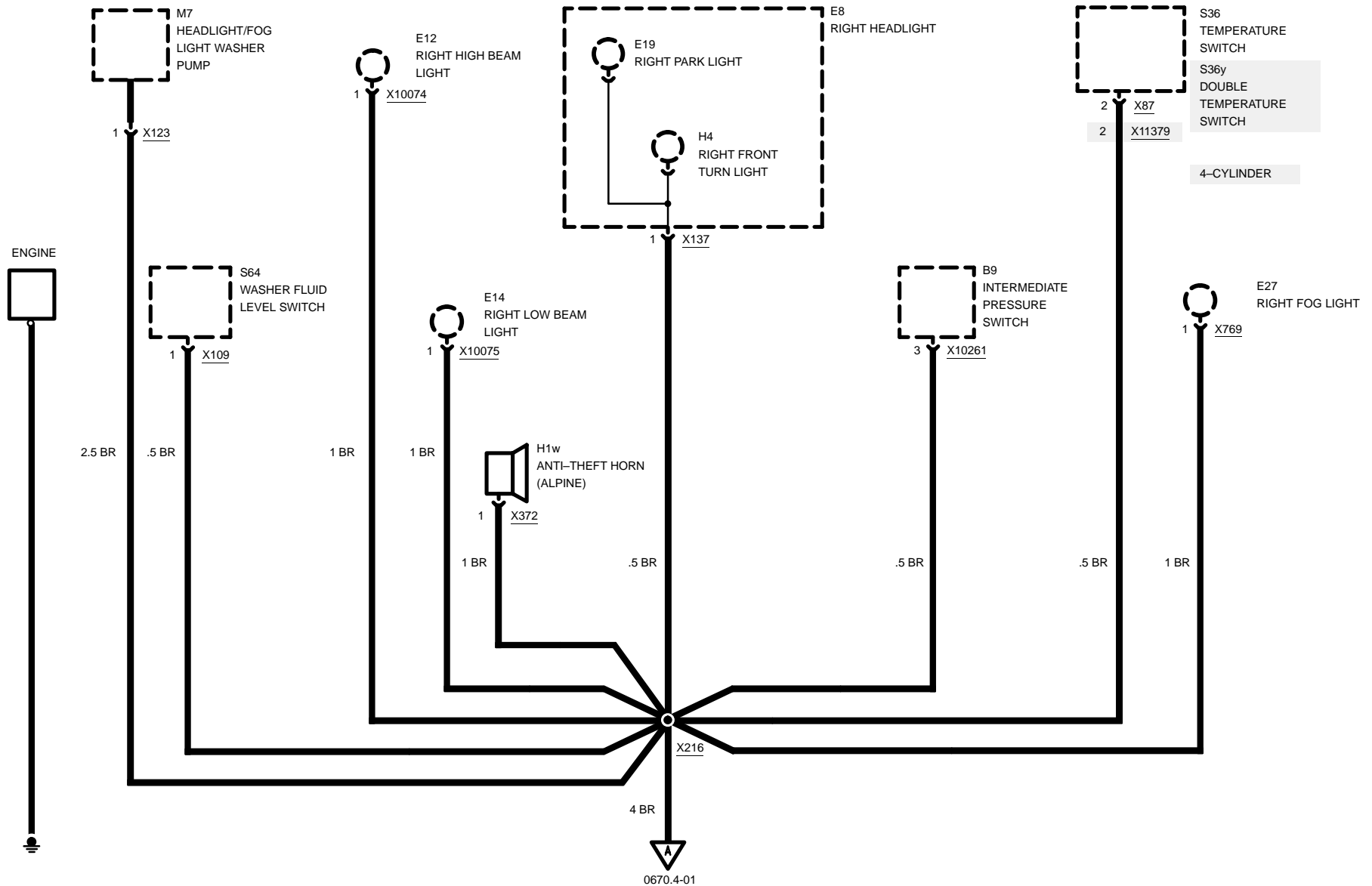
FUSES 47, 48, 49, AND 50





0670.4 GROUND DISTRIBUTION

GROUND X165



03/00

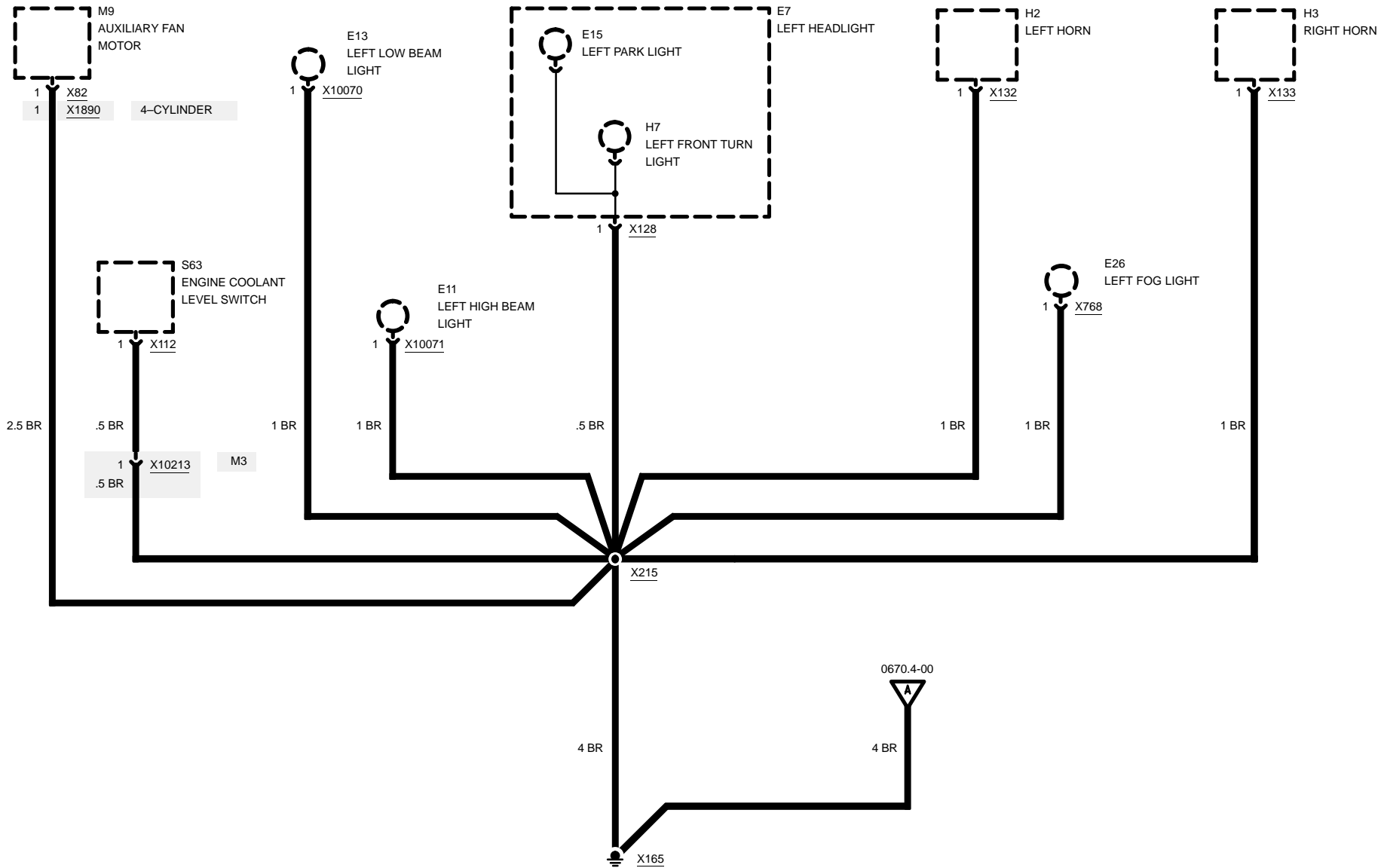
0670.4-00

1999



GROUND DISTRIBUTION

GROUND X165



03/00

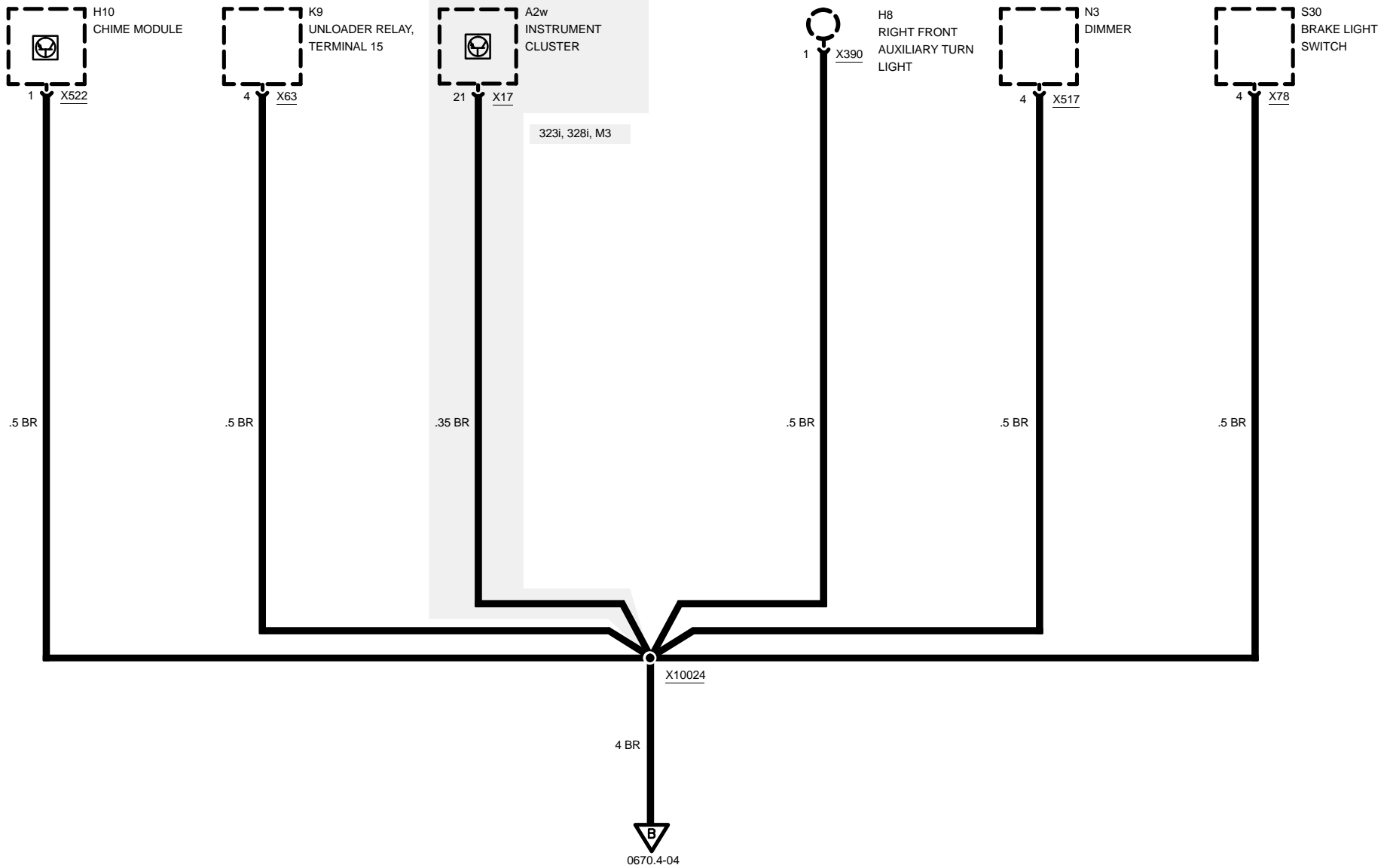
0670.4-01

1999



GROUND DISTRIBUTION

GROUND X173



03/00

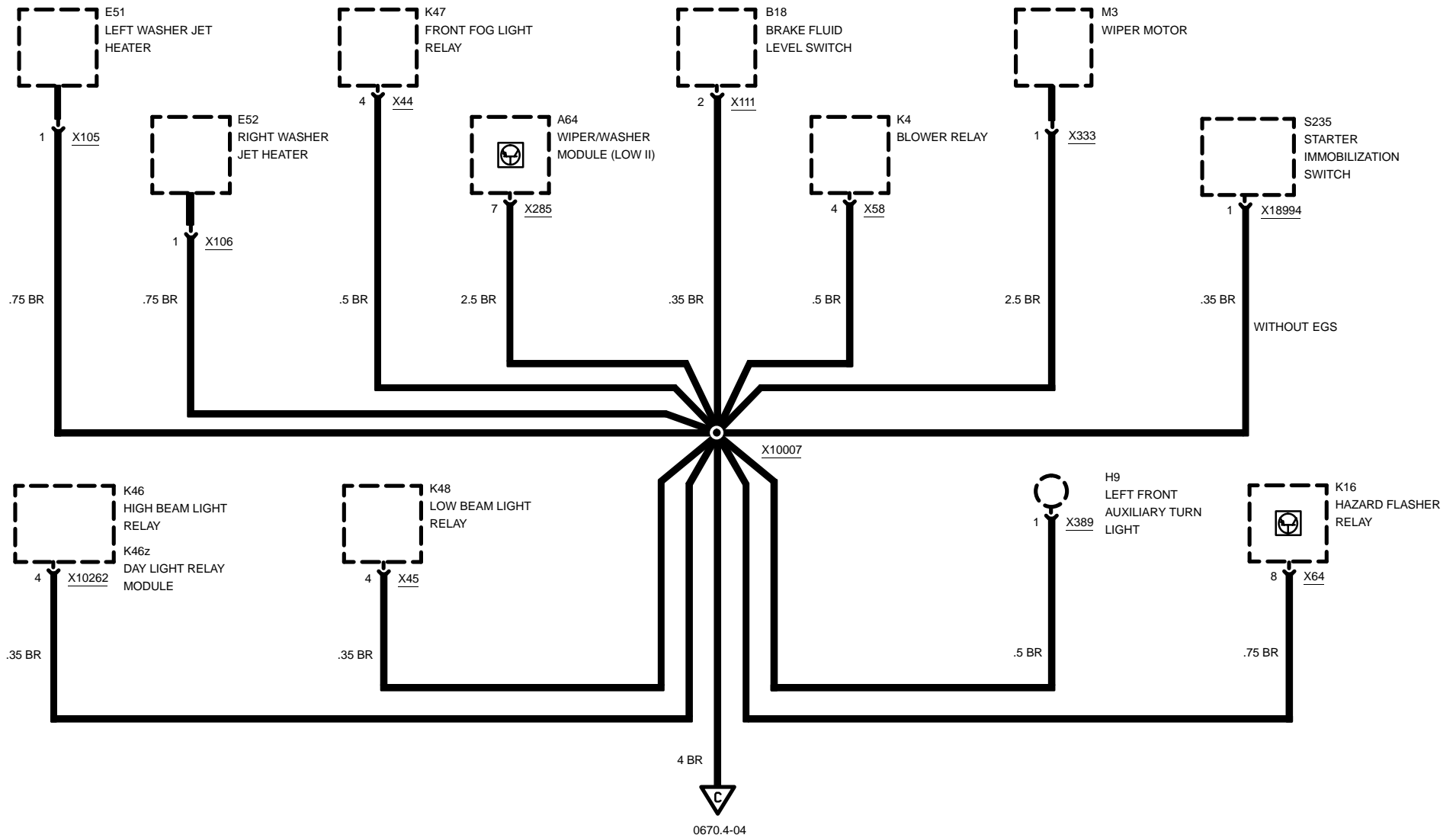
0670.4-02

1999



GROUND DISTRIBUTION

GROUND X173



03/00

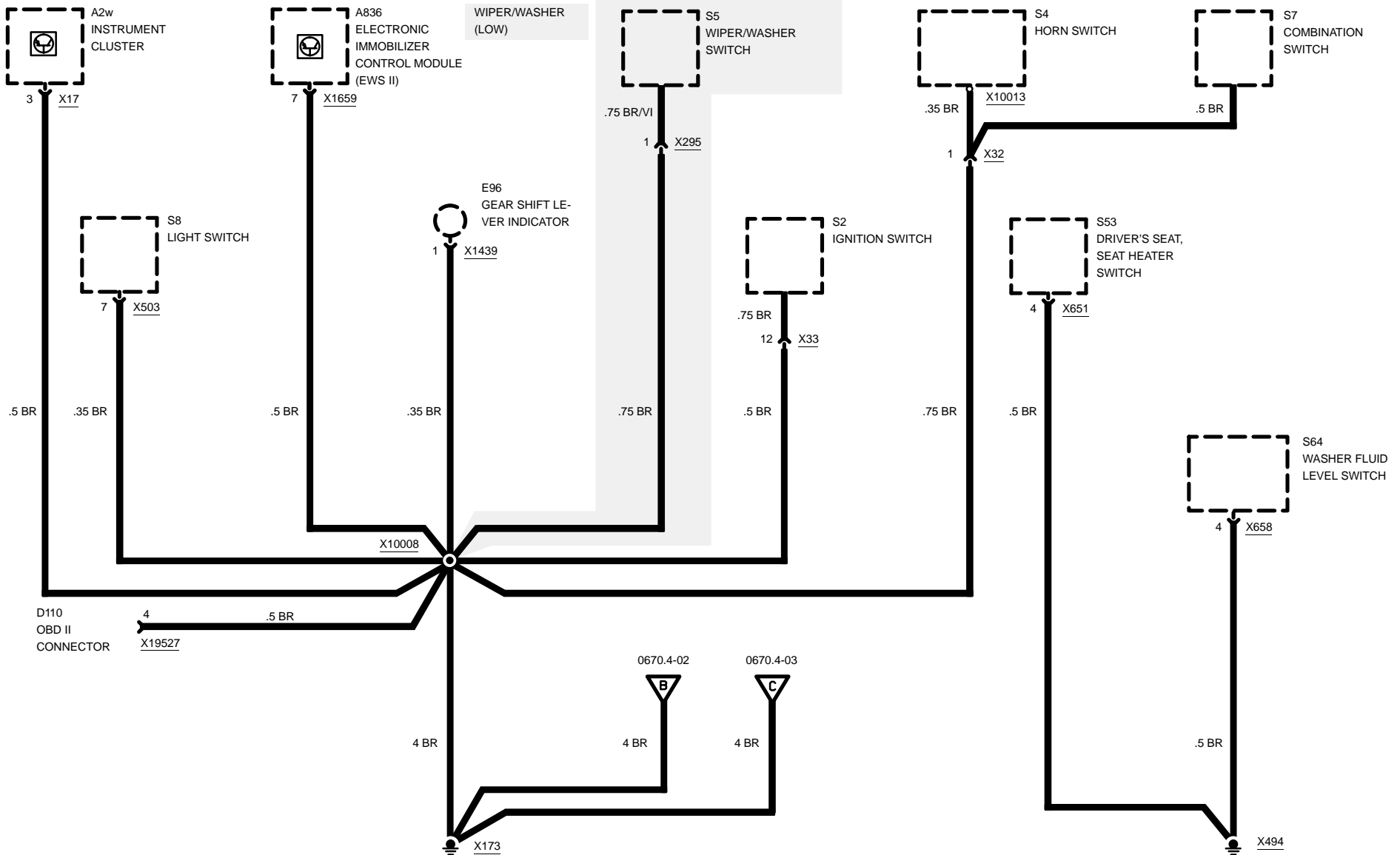
0670.4-03

1999



GROUND DISTRIBUTION

GROUNDS X173 AND X494



03/00

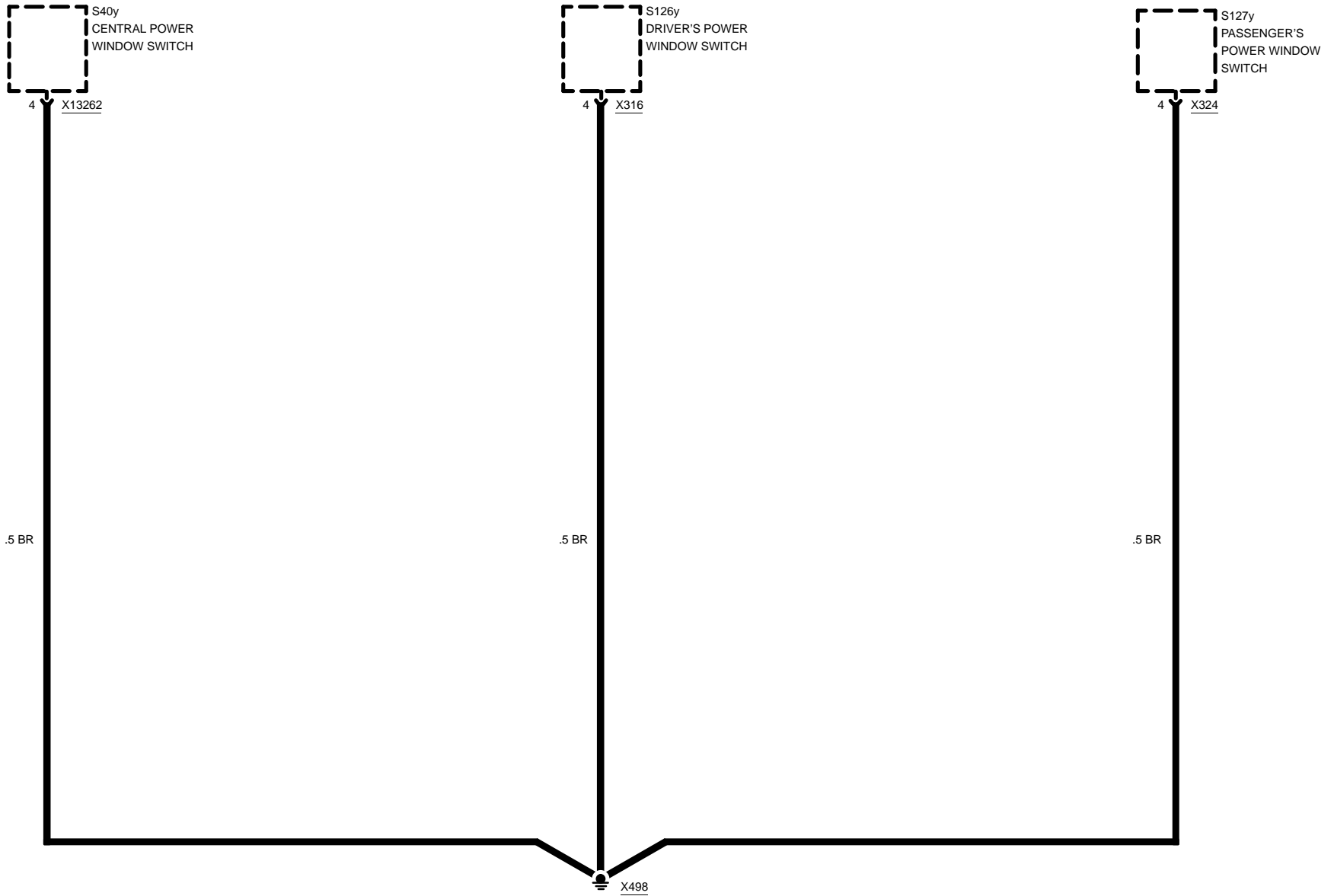
0670.4-04

1999



GROUND DISTRIBUTION

GROUND X498



03/00

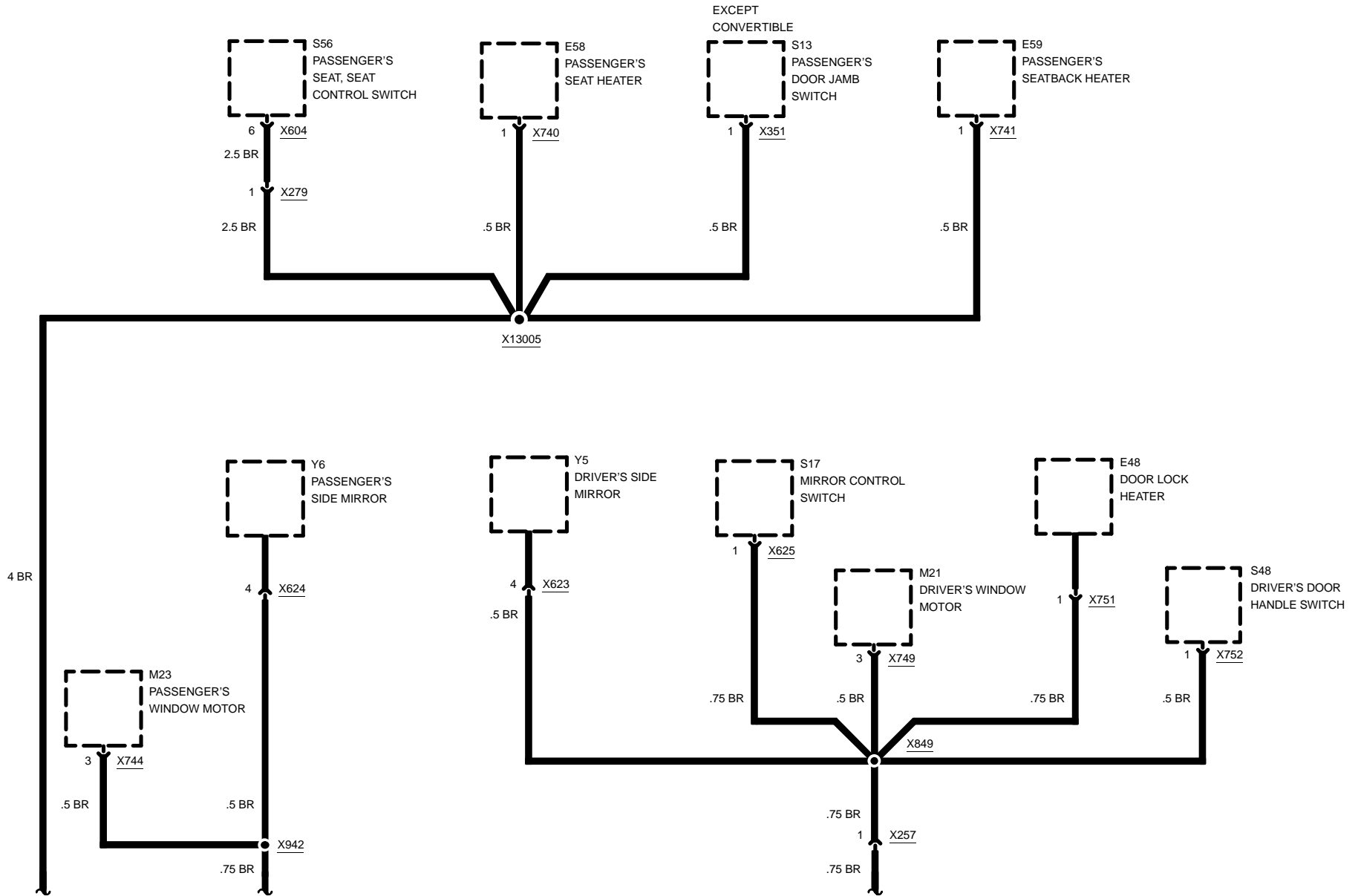
0670.4-05

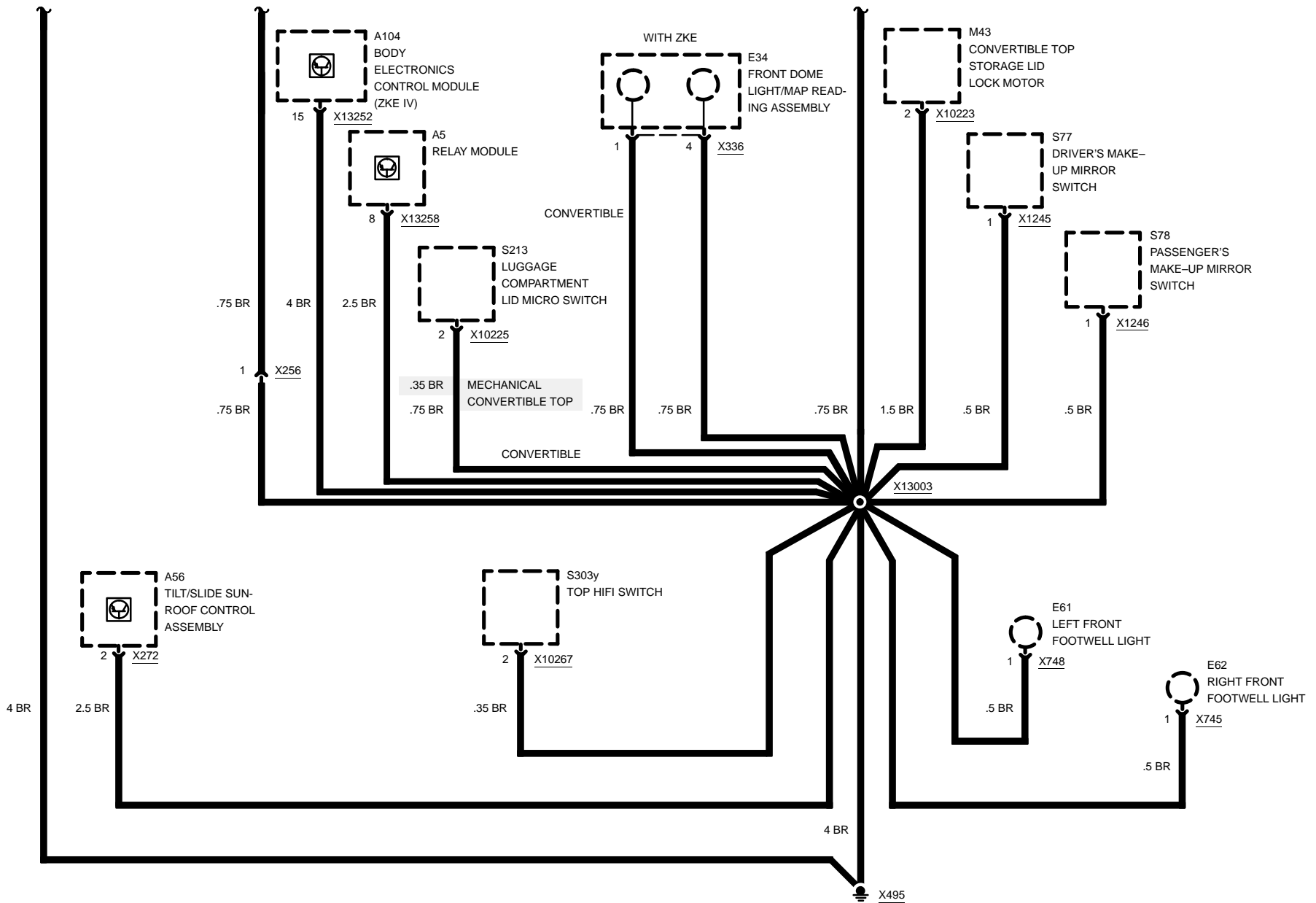
1999



GROUND DISTRIBUTION

GROUND X495

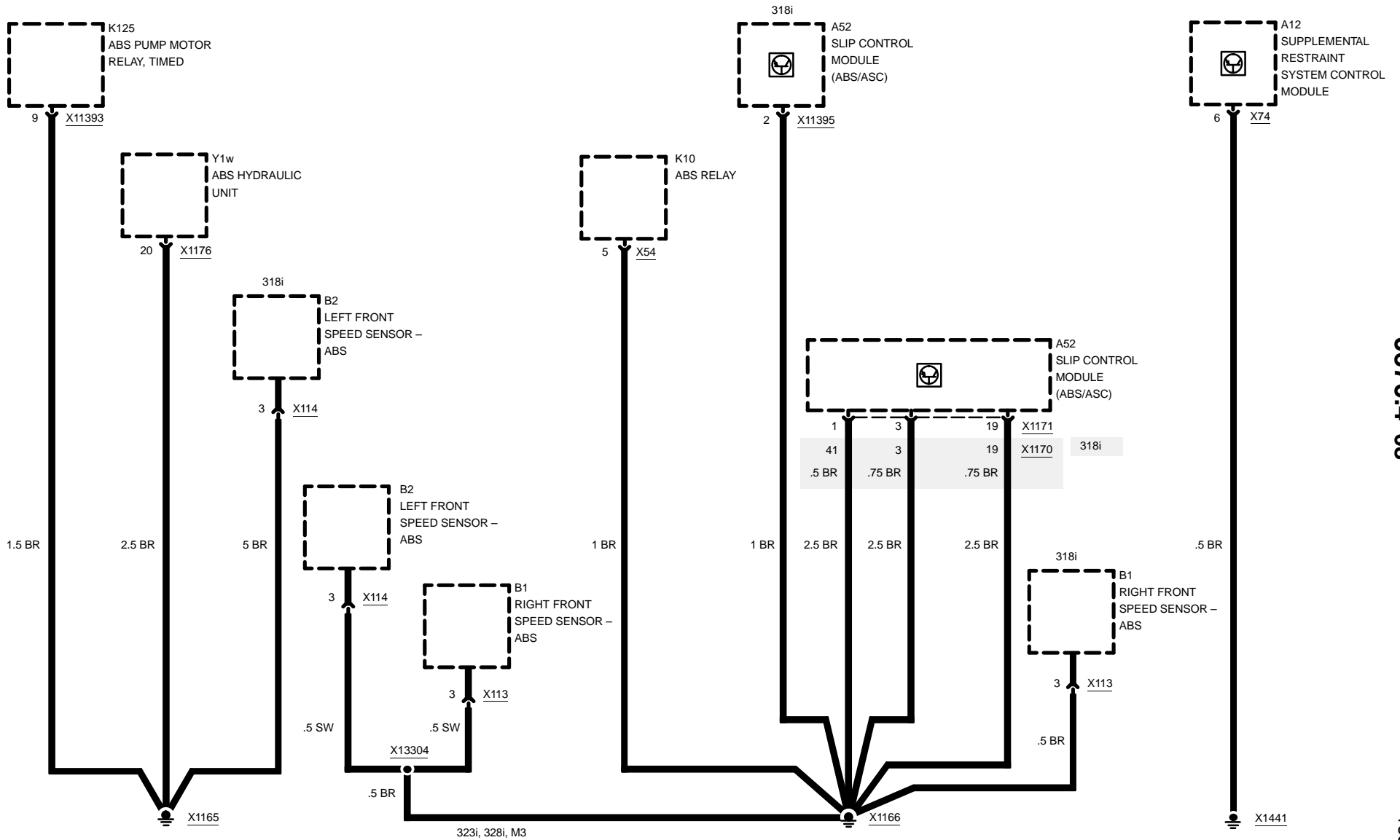






GROUND DISTRIBUTION

GROUNDS X1165, X1166, AND X1441



03/00

0670.4-08

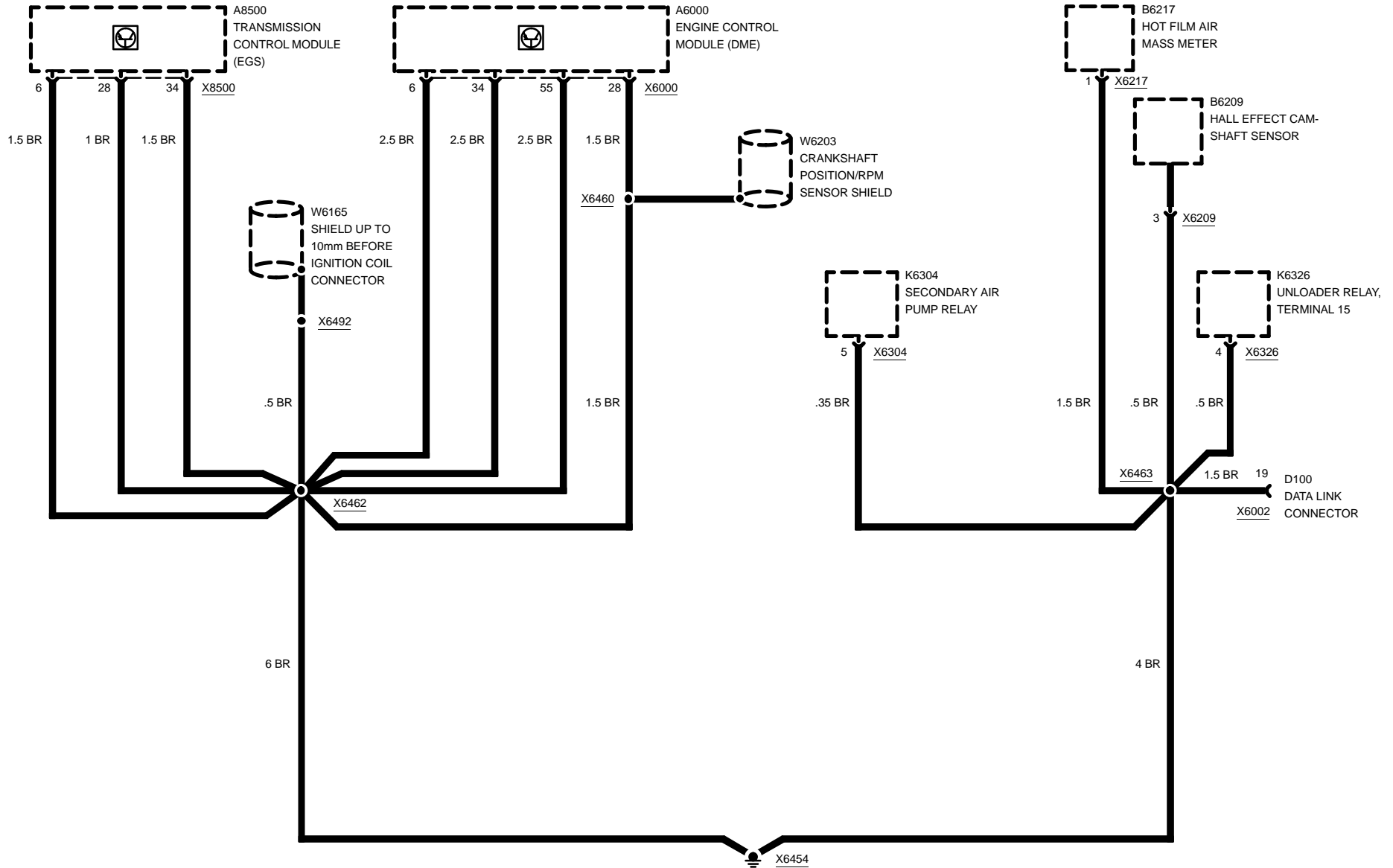
1999



GROUND DISTRIBUTION

318i

GROUND X6454



03/00

0670.4-09

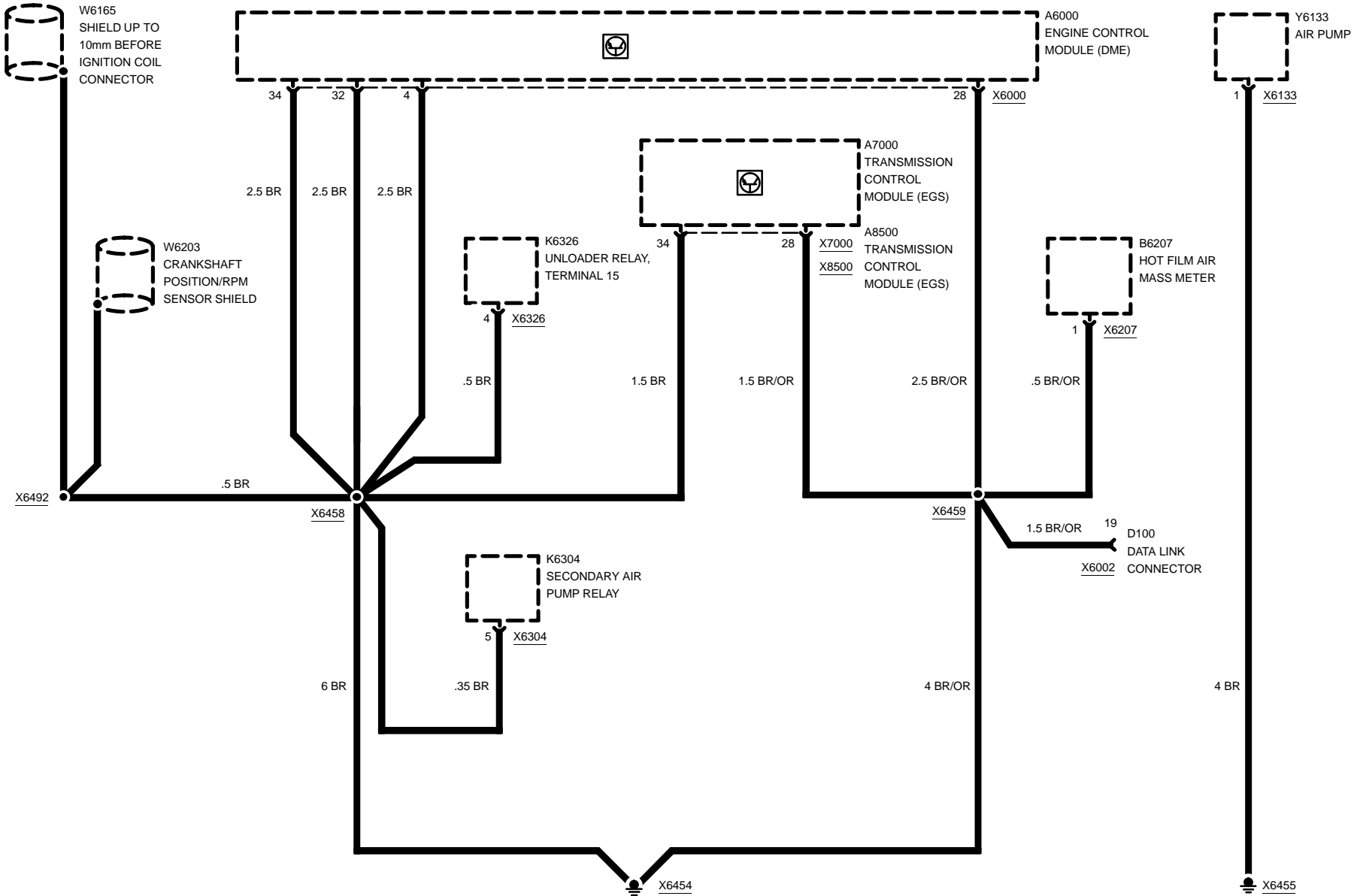
1999



GROUND DISTRIBUTION

323i, 328i, M3

GROUNDS X6454 AND X6455



03/00

0670.4-10

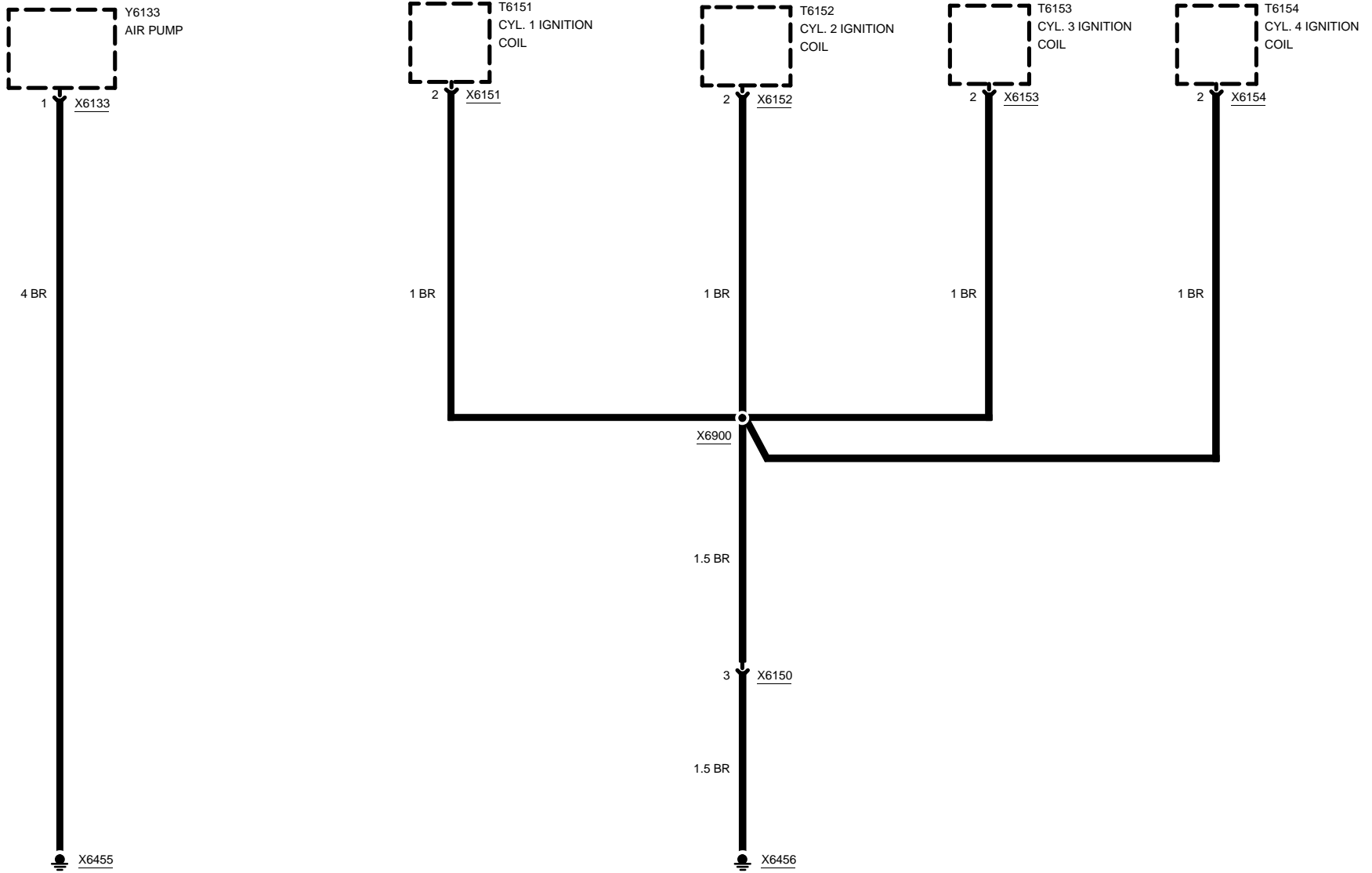
1999



GROUND DISTRIBUTION

GROUNDS X6455 AND X6456

318i



03/00

0670.4-11

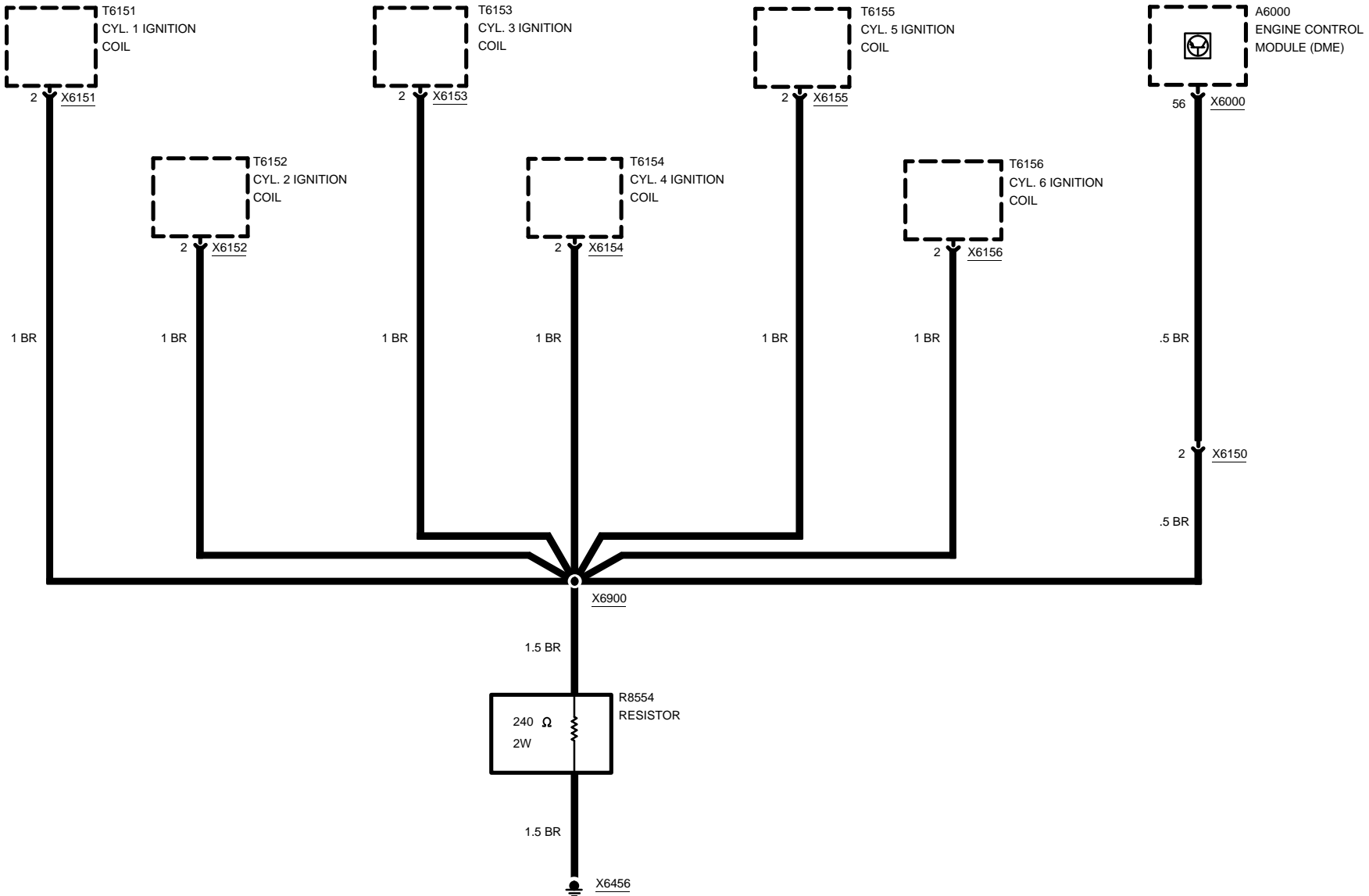
1999



GROUND DISTRIBUTION

323i, 328i, M3

GROUND X6456



03/00

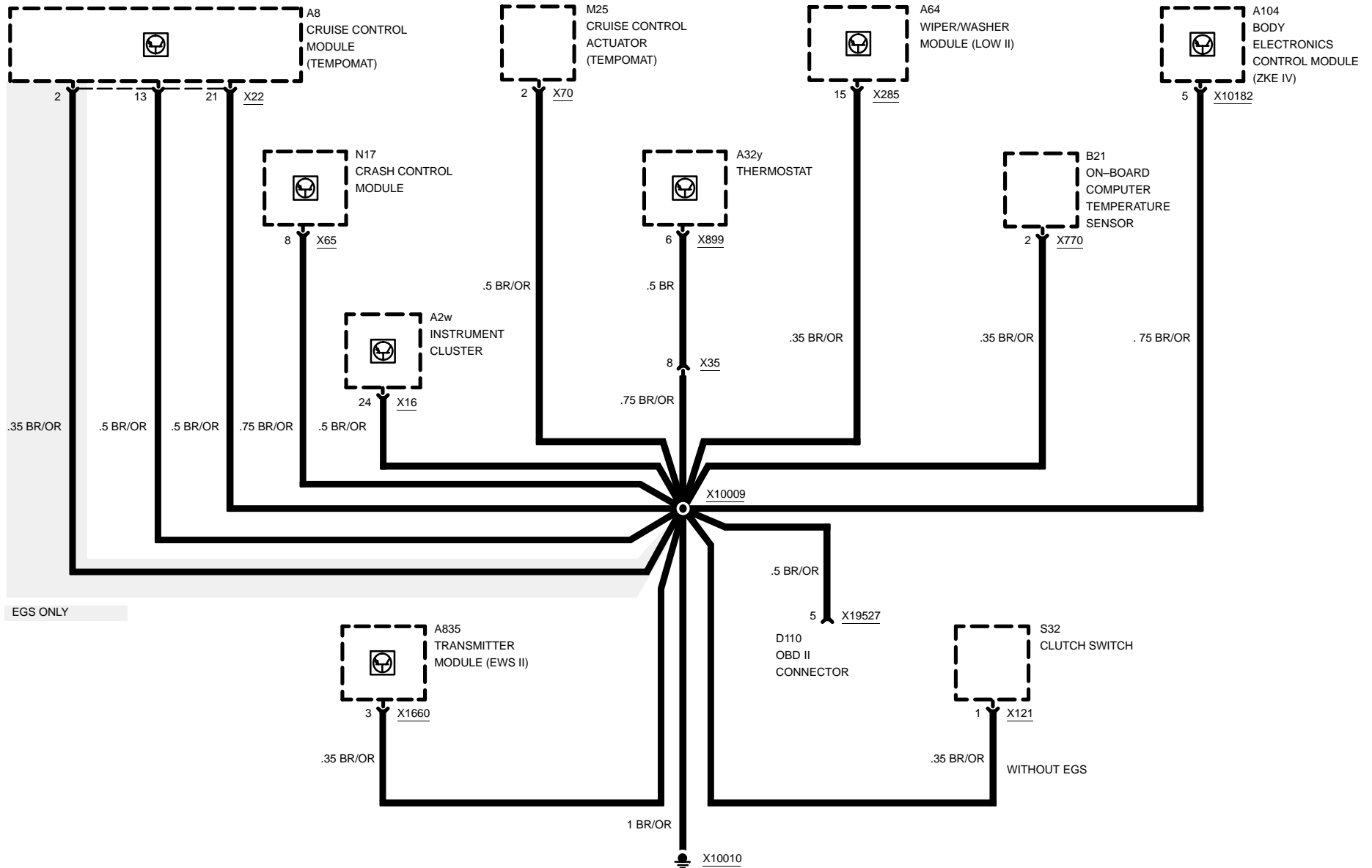
0670.4-12

1999



GROUND DISTRIBUTION

GROUND X10010



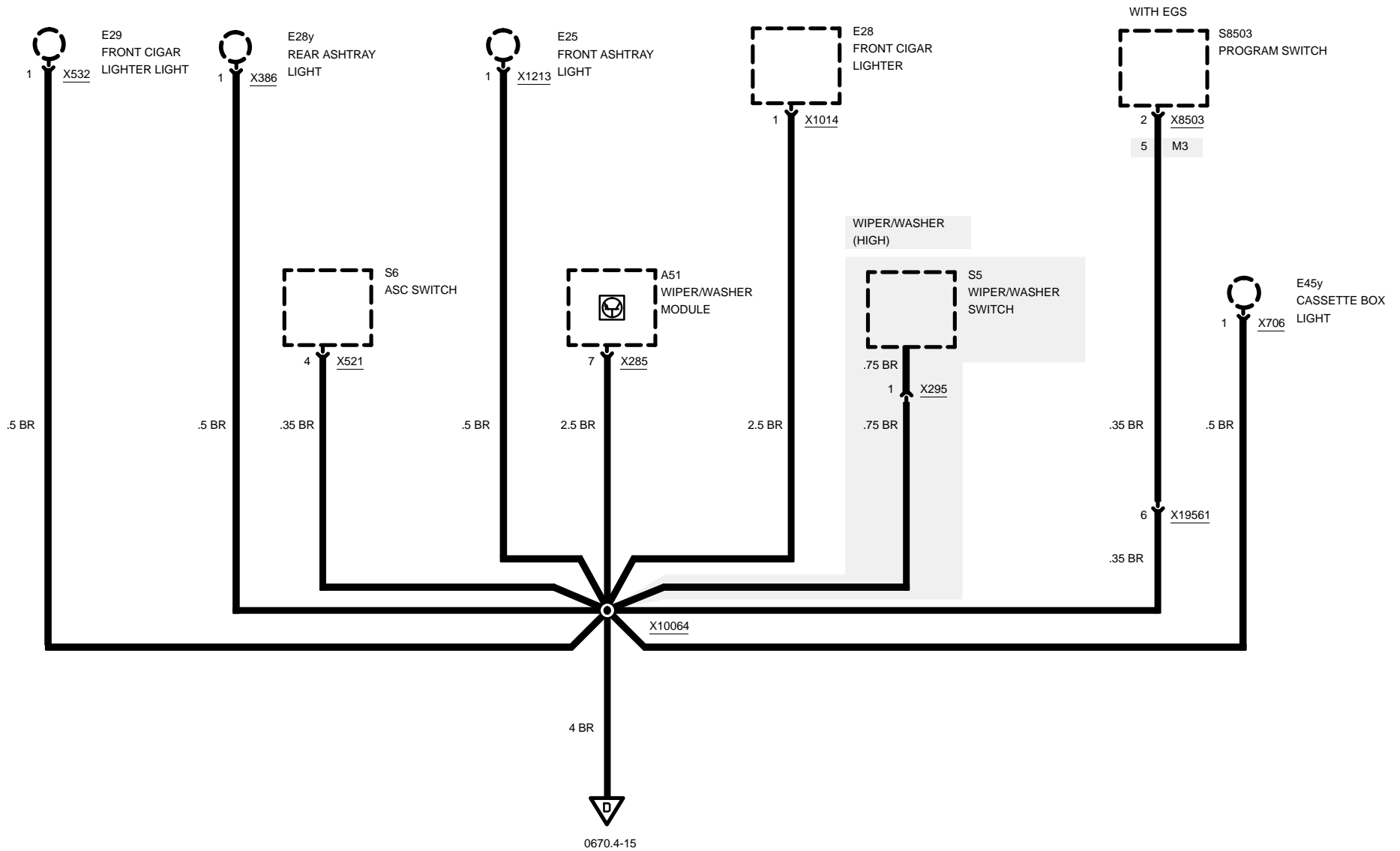
EGS ONLY

WITHOUT EGS



GROUND DISTRIBUTION

GROUND X10012



03/00

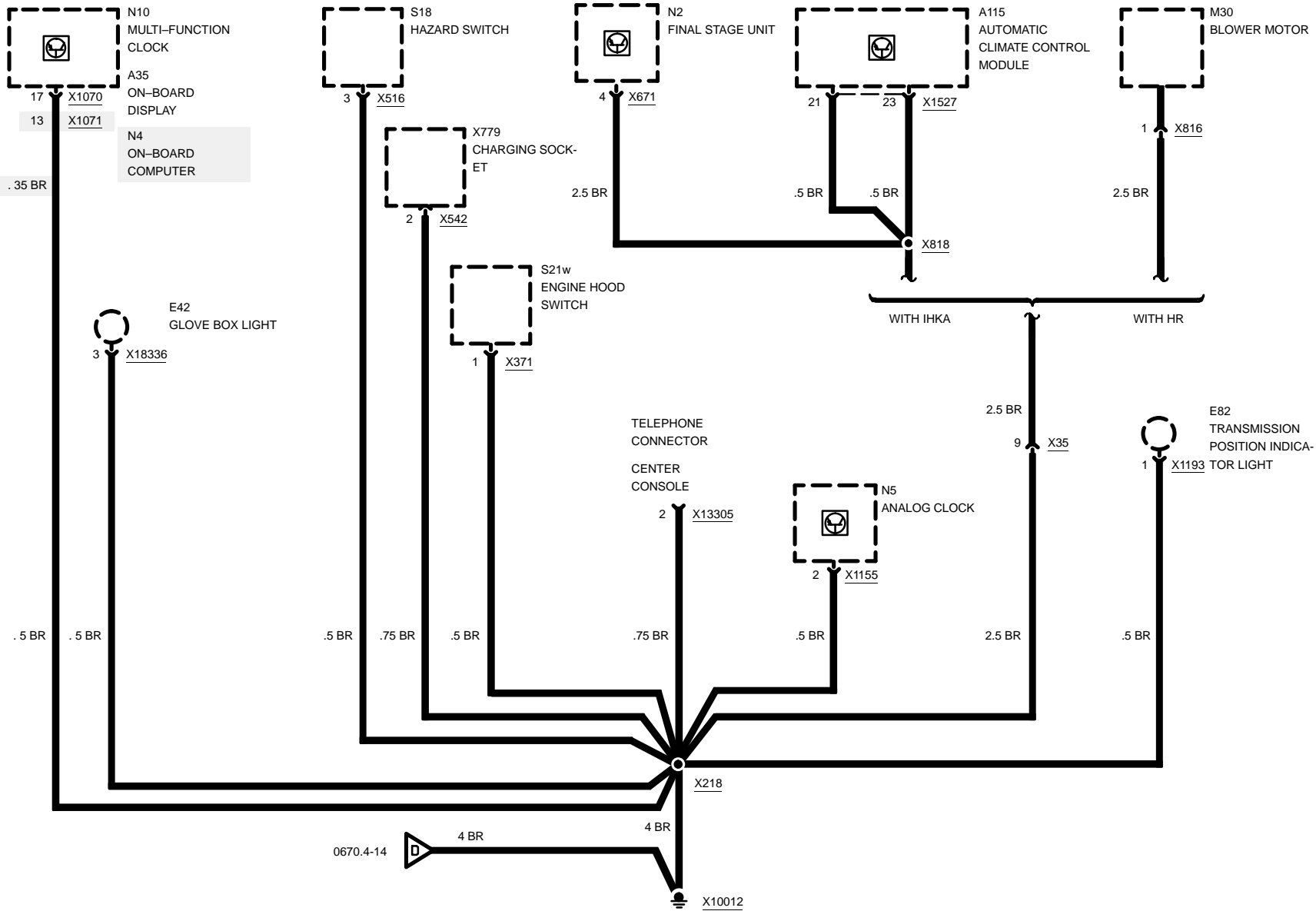
0670.4-14

1999



GROUND DISTRIBUTION

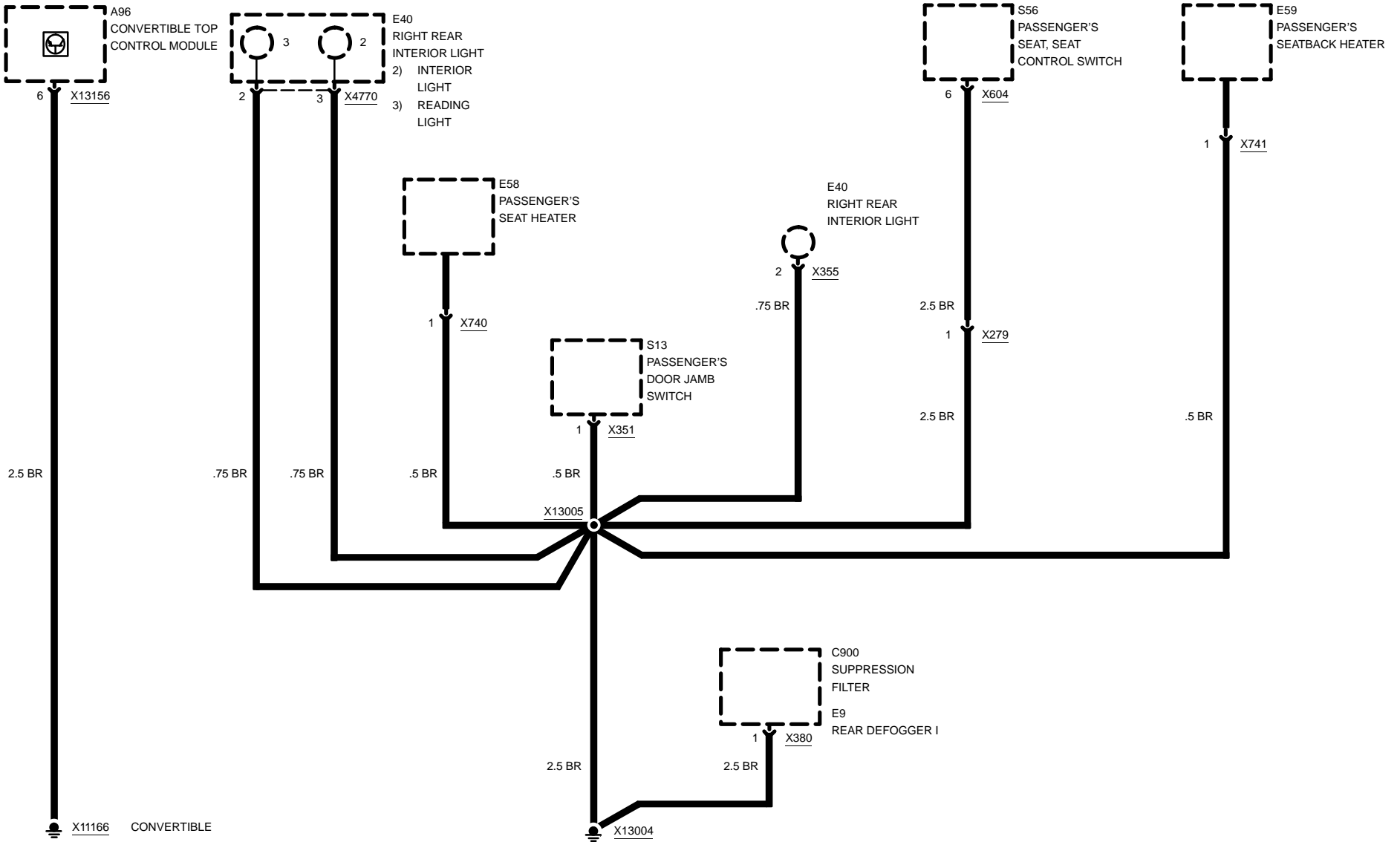
GROUND X10012





GROUND DISTRIBUTION

GROUNDS X11166 AND X13004



03/00

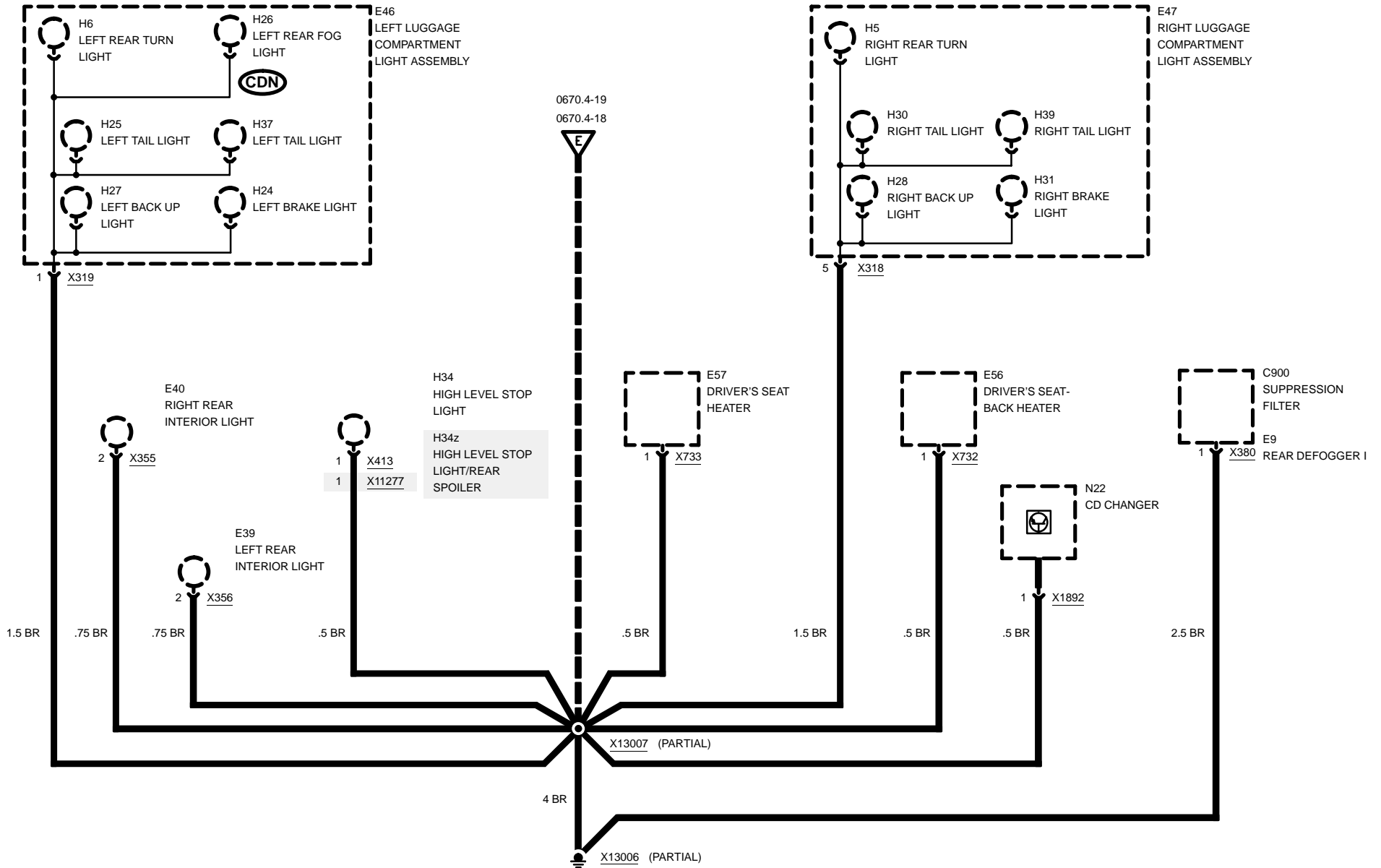
0670.4-16

1999



GROUND DISTRIBUTION

GROUND X13006



03/00

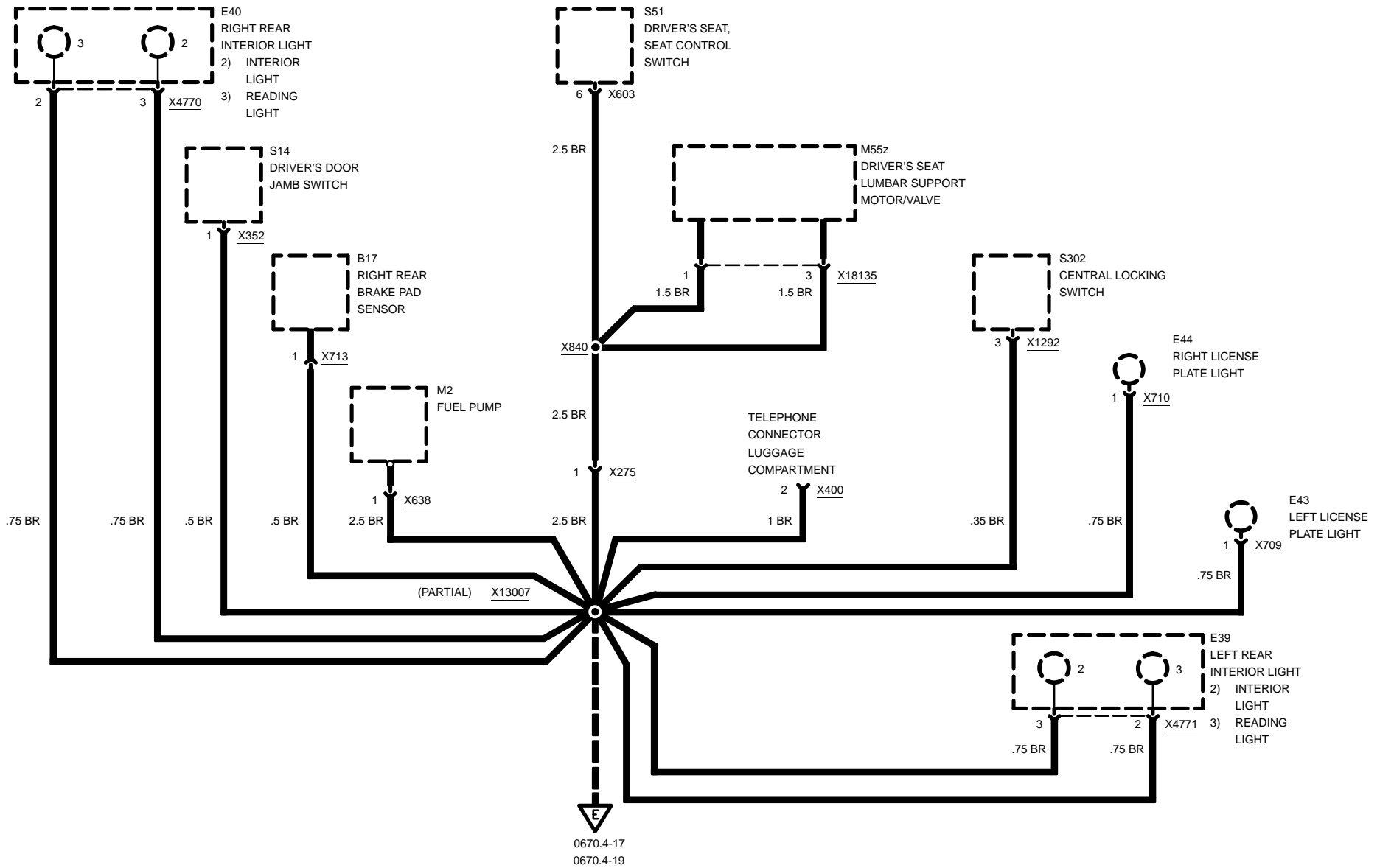
0670.4-17

1999



GROUND DISTRIBUTION

GROUND X13006



0670.4-17
0670.4-19

03/00

0670.4-18

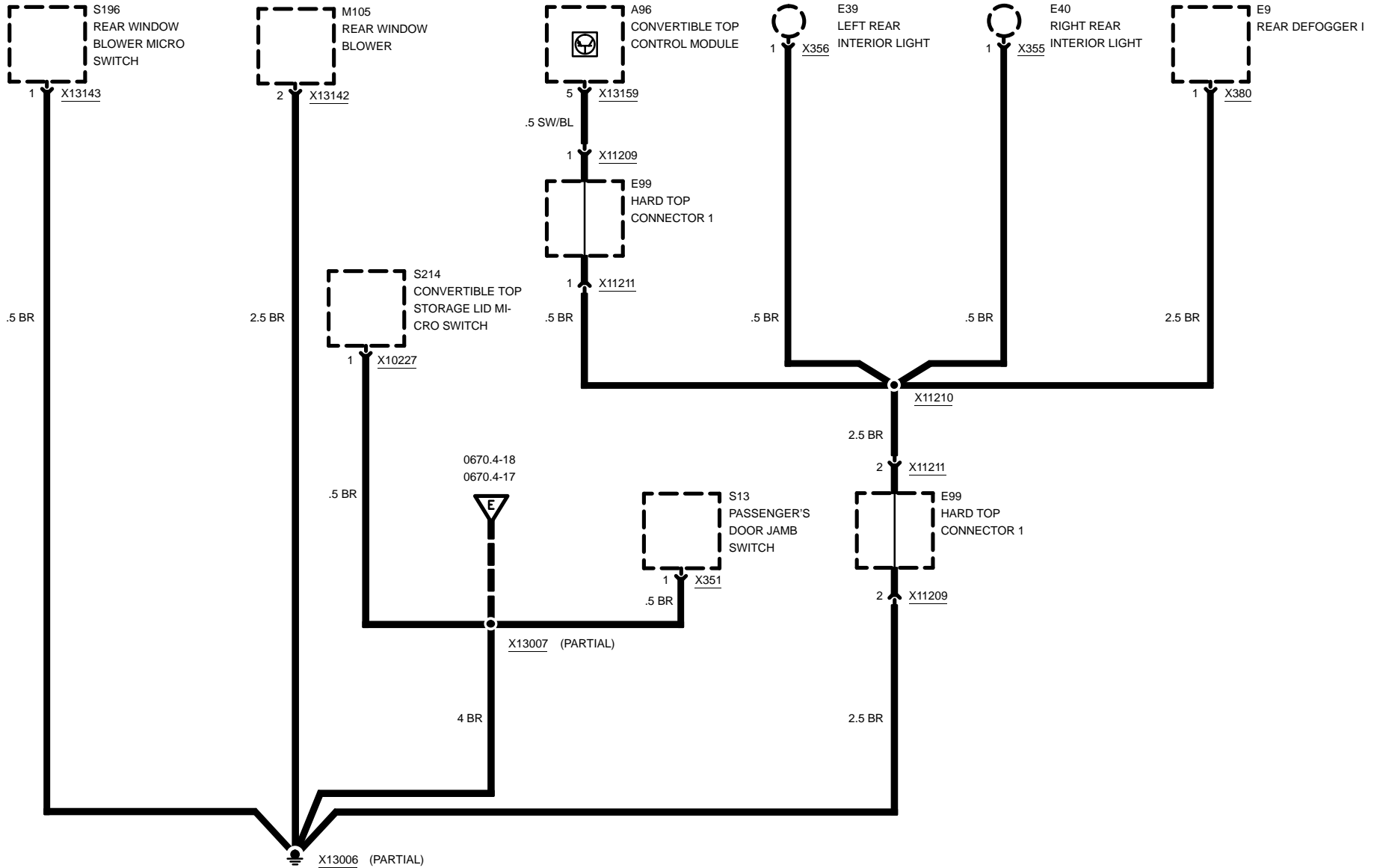
1999



GROUND DISTRIBUTION

CONVERTIBLE

GROUND X13006



03/00

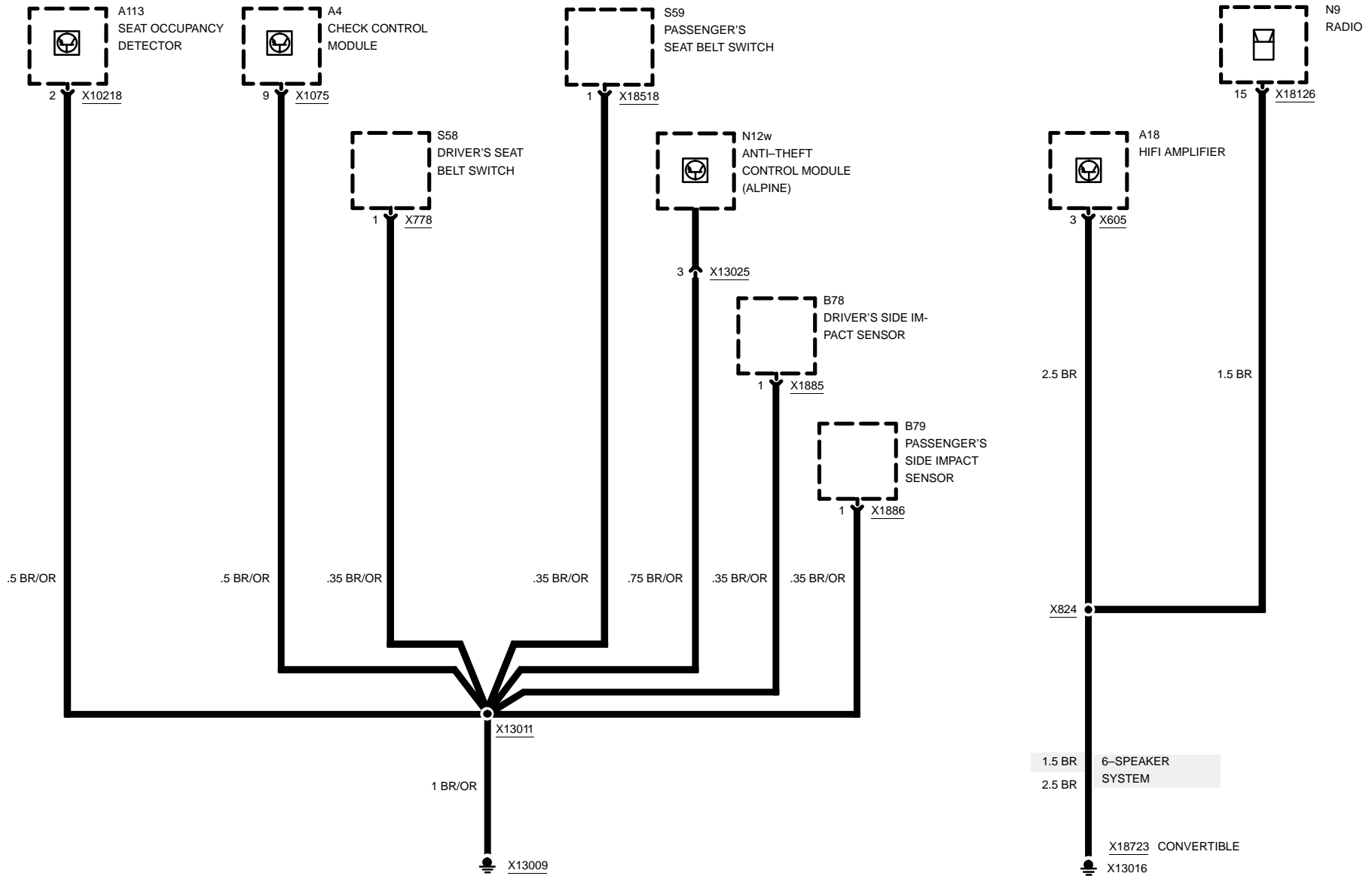
0670.4-19

1999



GROUND DISTRIBUTION

GROUNDS X13009, X13016, AND X18723



03/00

0670.4-20

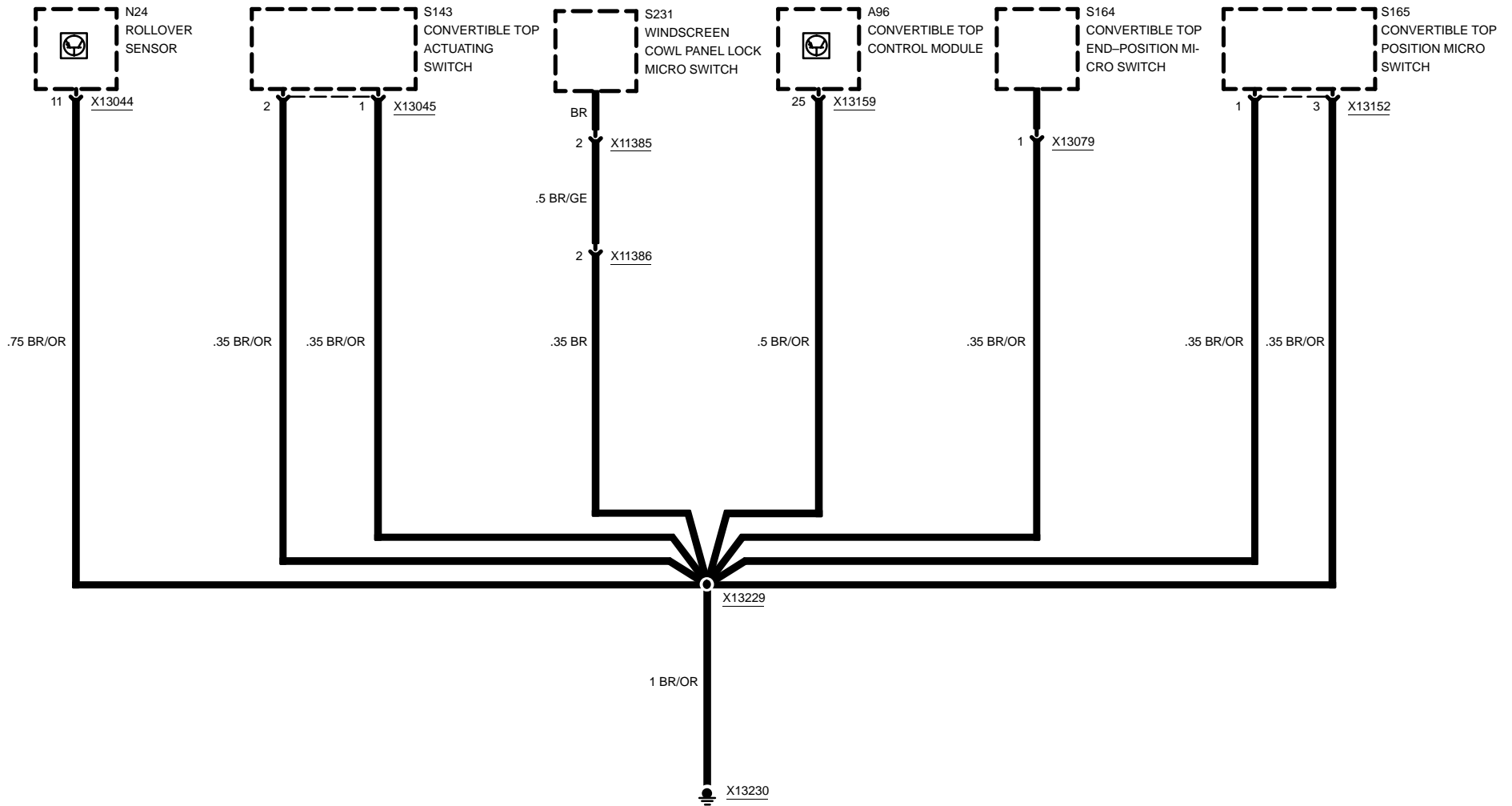
1999



GROUND DISTRIBUTION

CONVERTIBLE

GROUND X13230



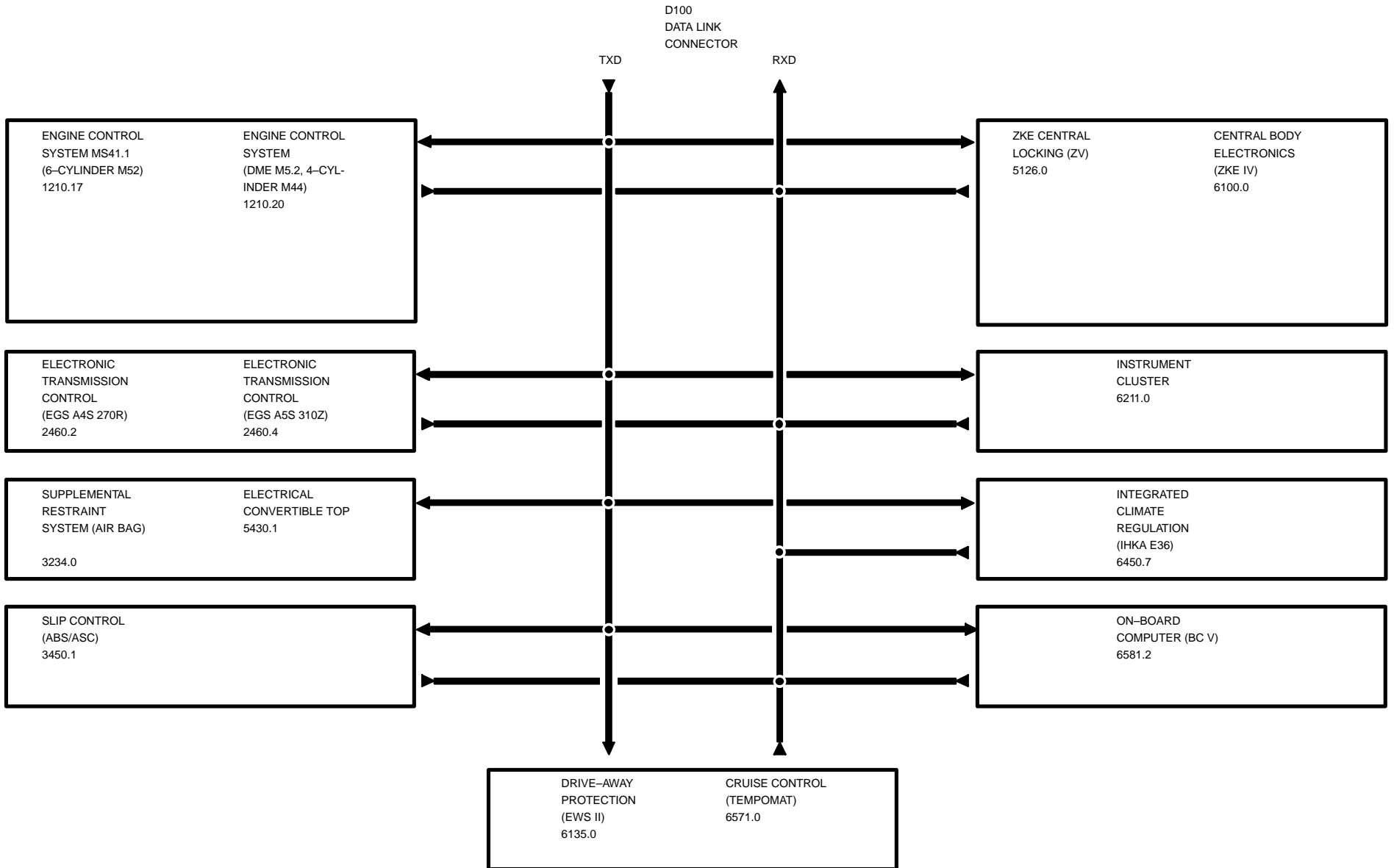
03/00

0670.4-21

1999



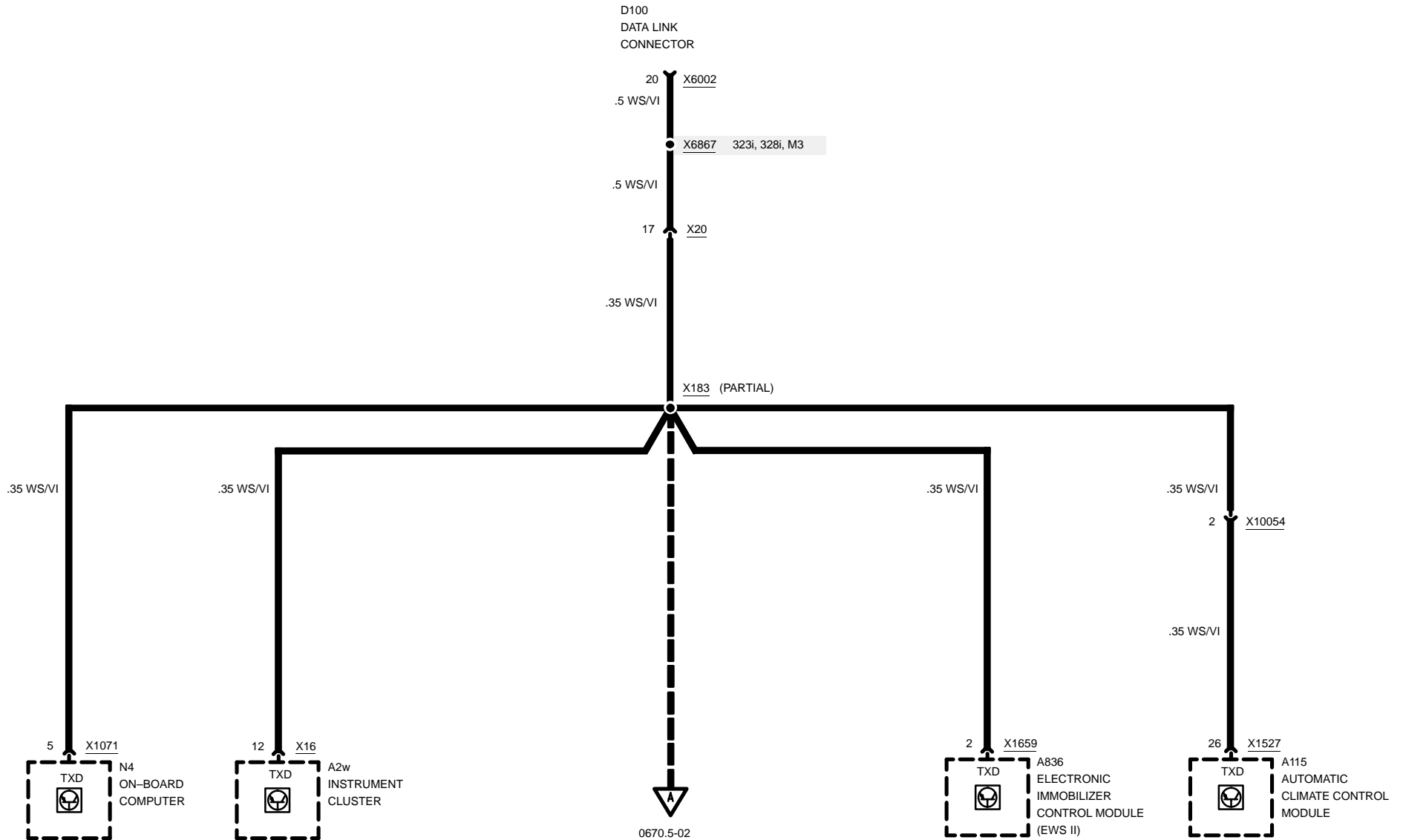
0670.5 DATA LINK BLOCK DIAGRAM





DATA LINK

TXD, PIN 20



03/00

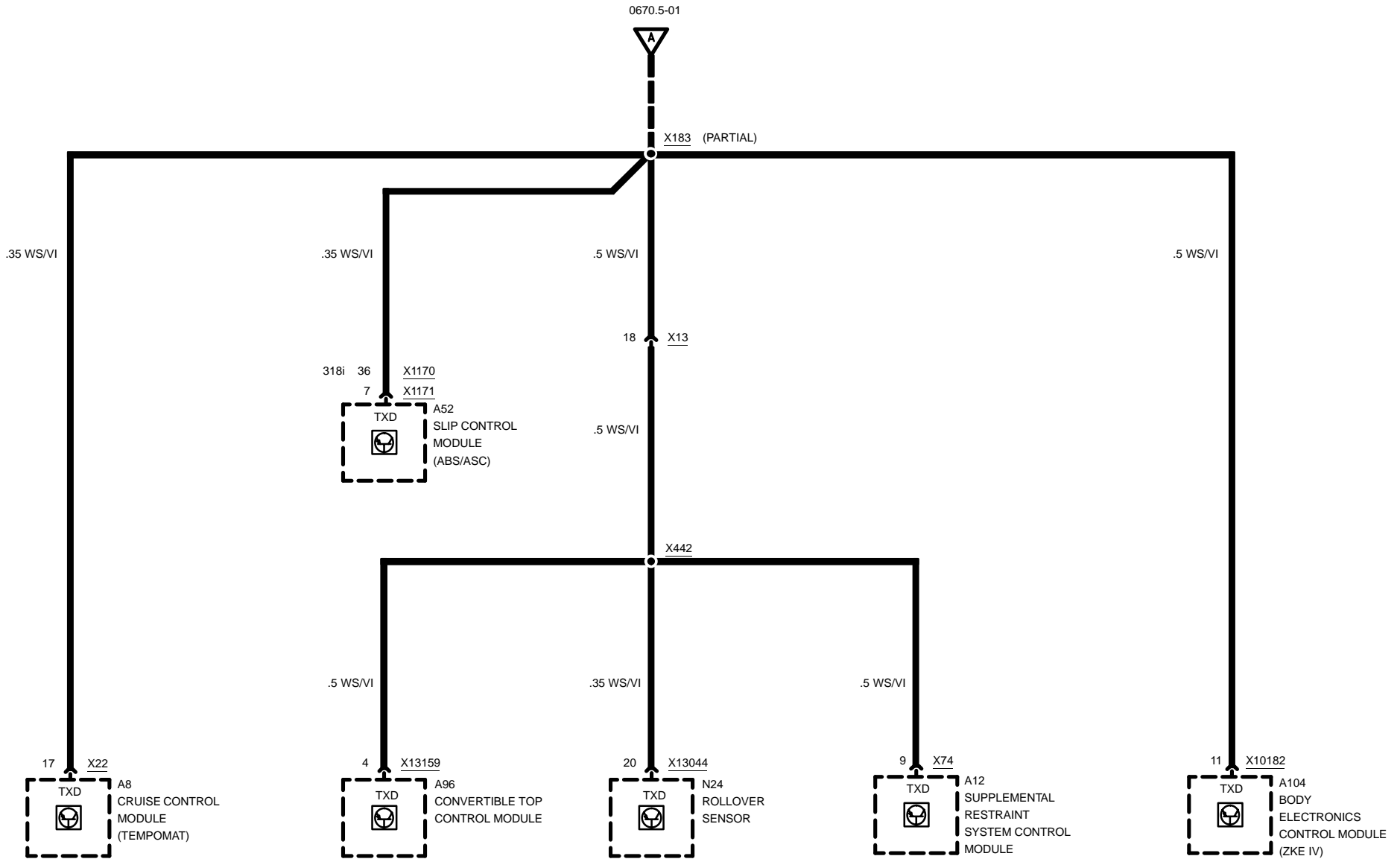
0670.5-01

1999



DATA LINK

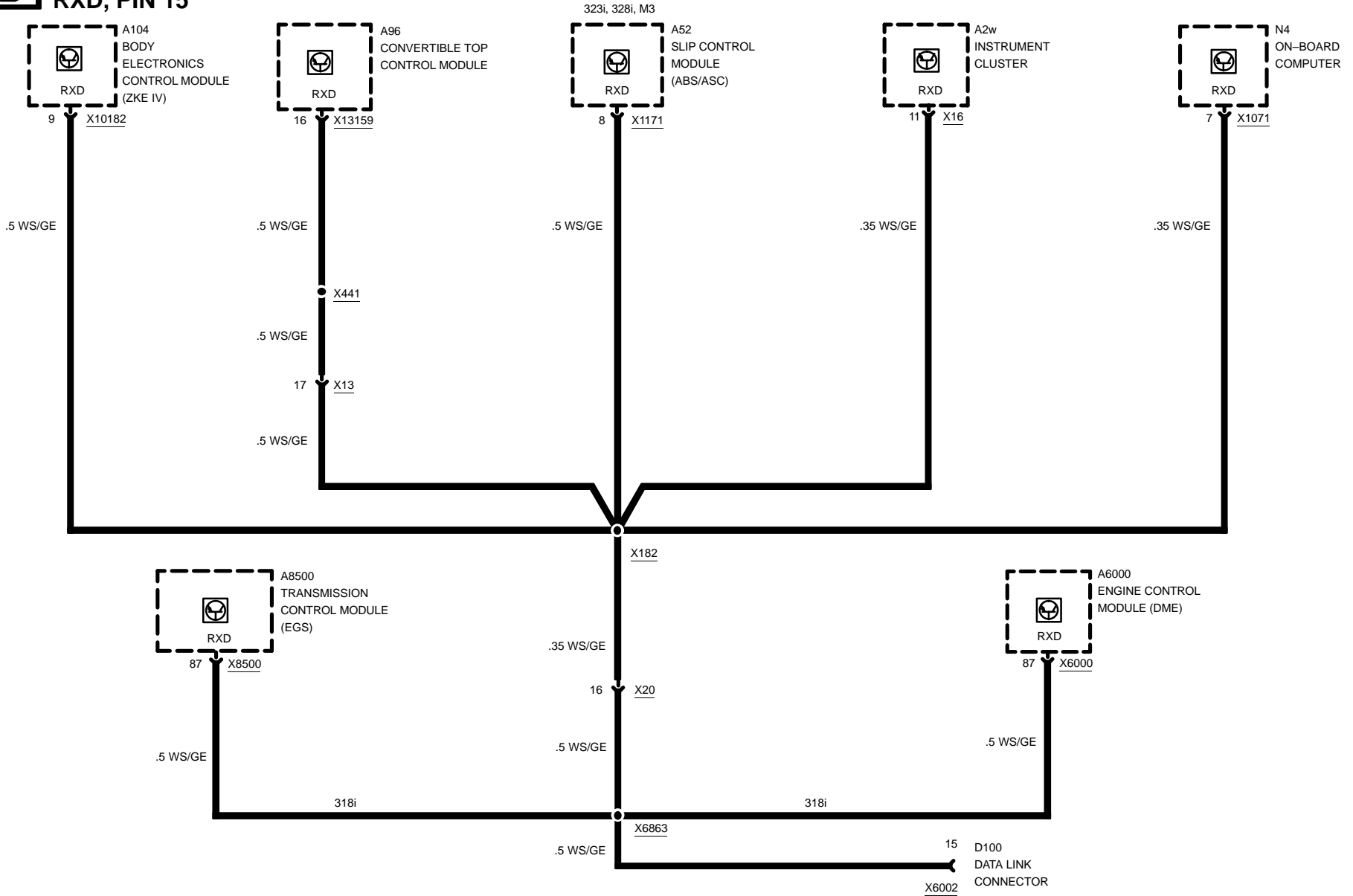
TXD, PIN 20





DATA LINK

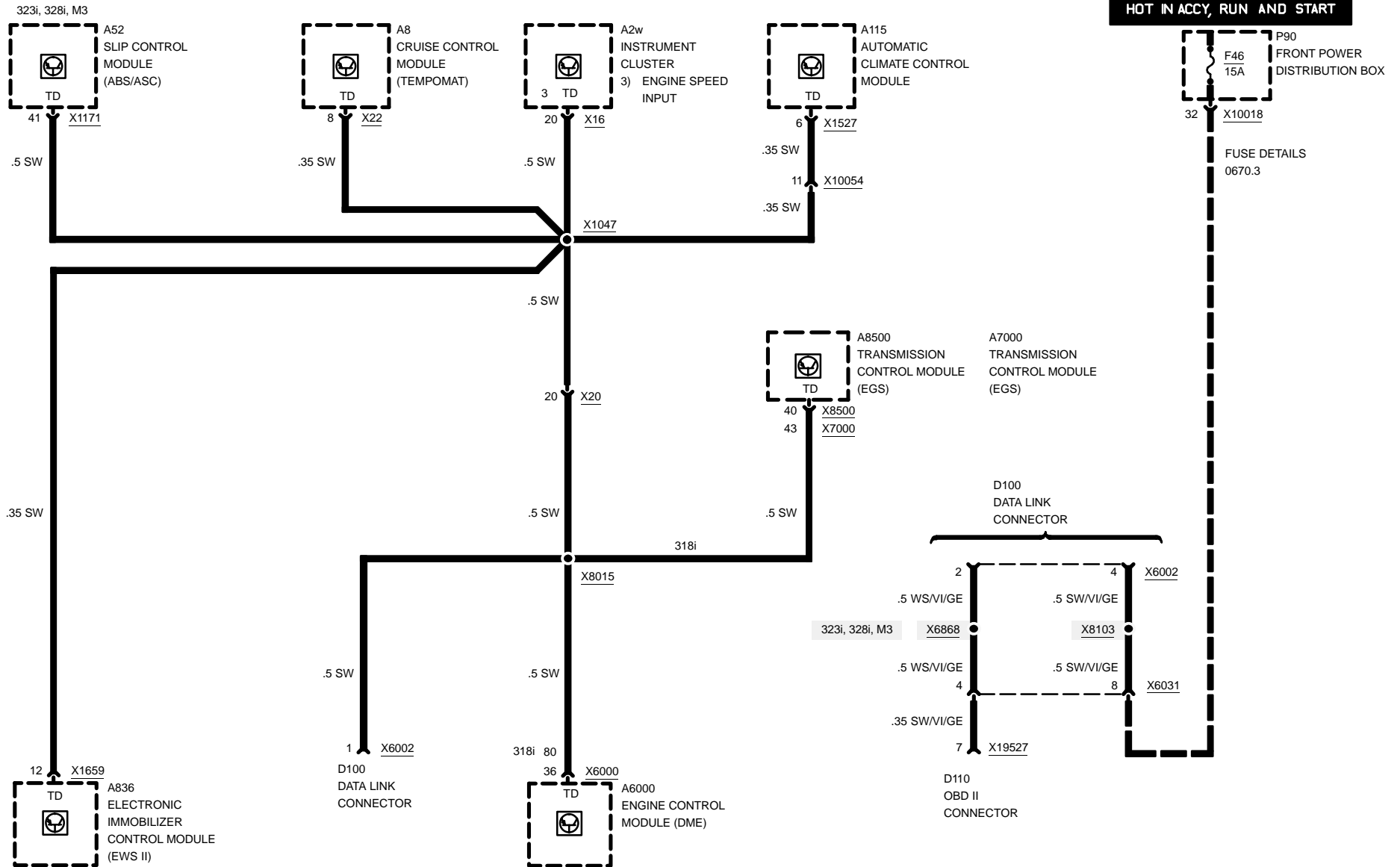
RXD, PIN 15





DATA LINK

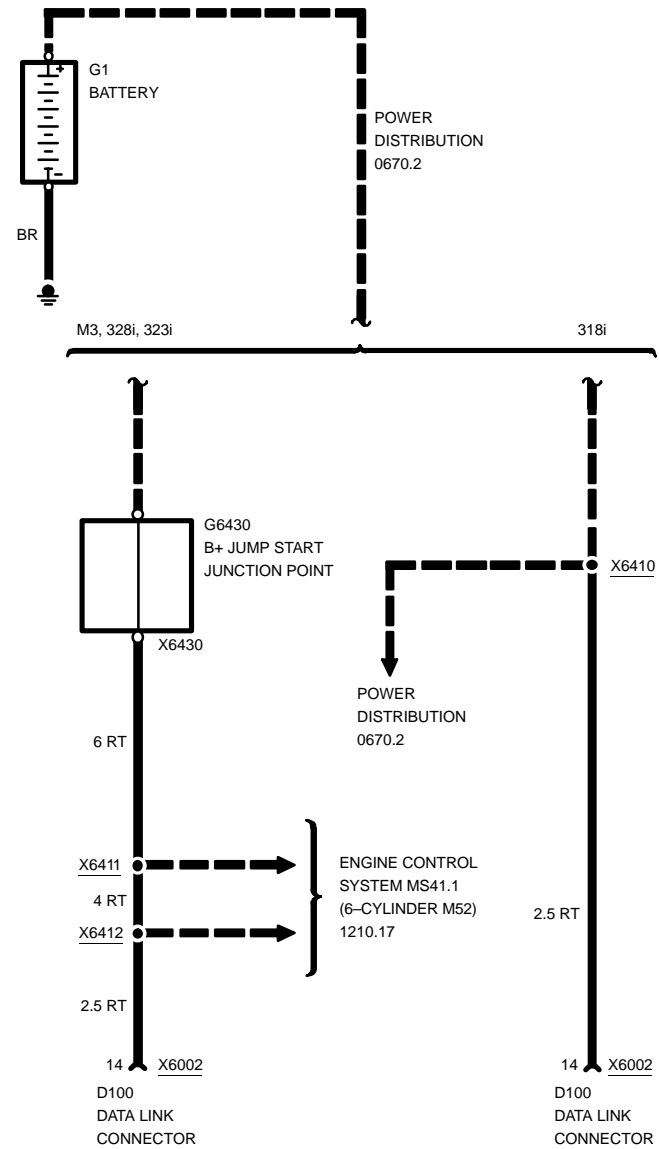
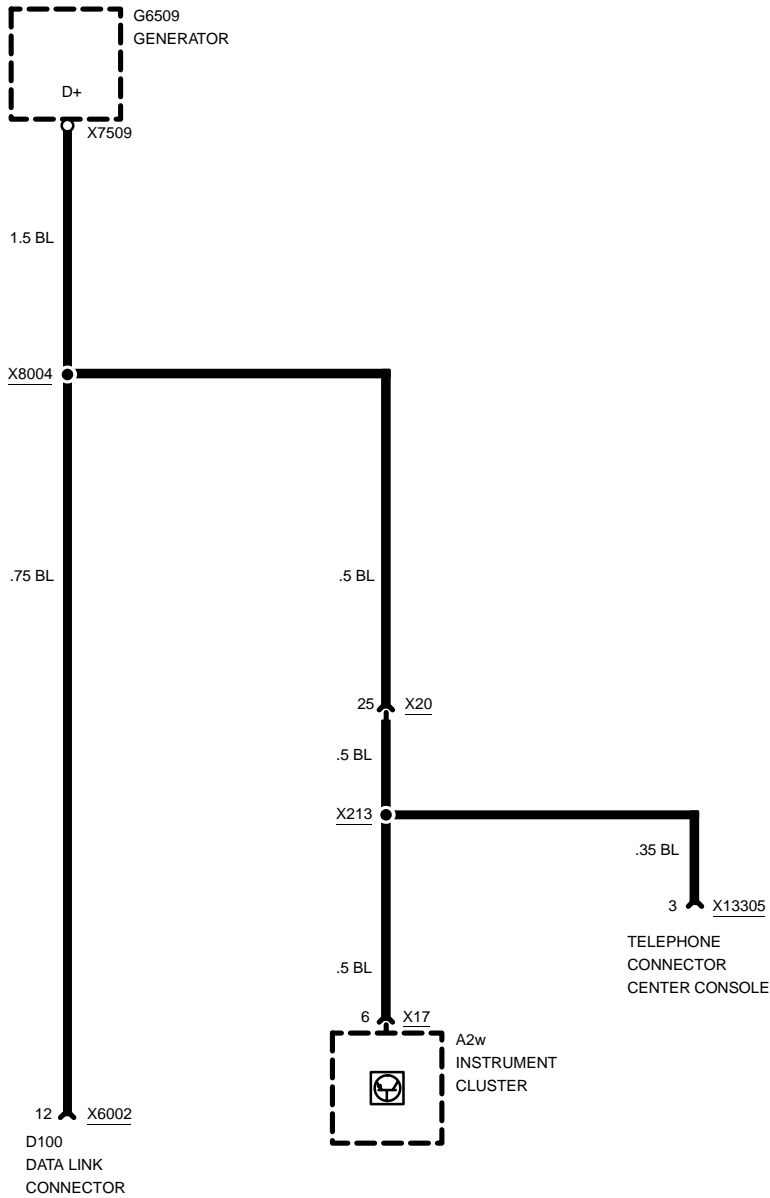
DATA LINK CONNECTOR, PINS 1, 2, AND 4





DATA LINK

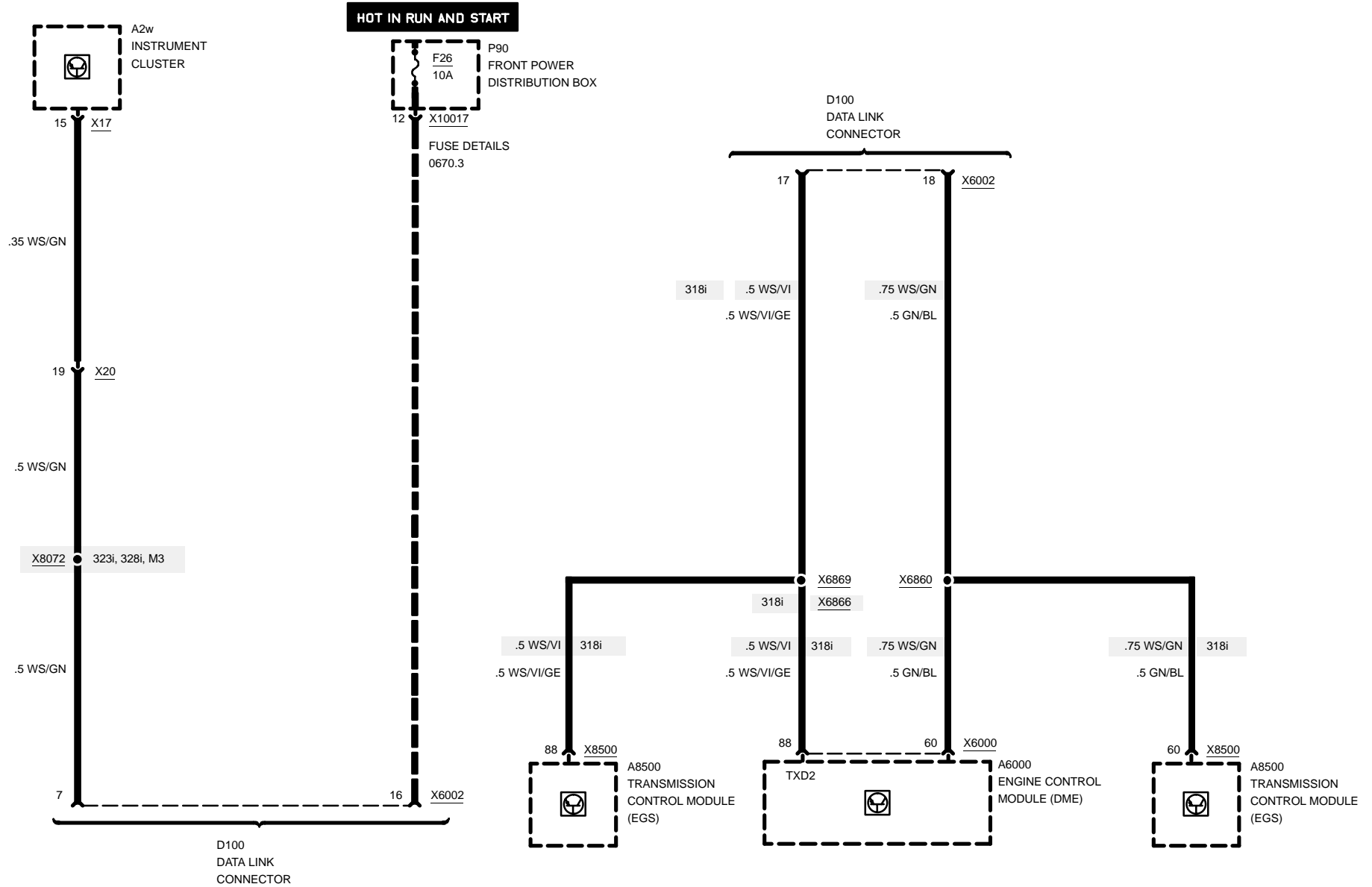
DATA LINK CONNECTOR, PINS 12 AND 14





DATA LINK

DATA LINK CONNECTOR, PINS 7, 16, 17, AND 18



03/00

0670.5-06

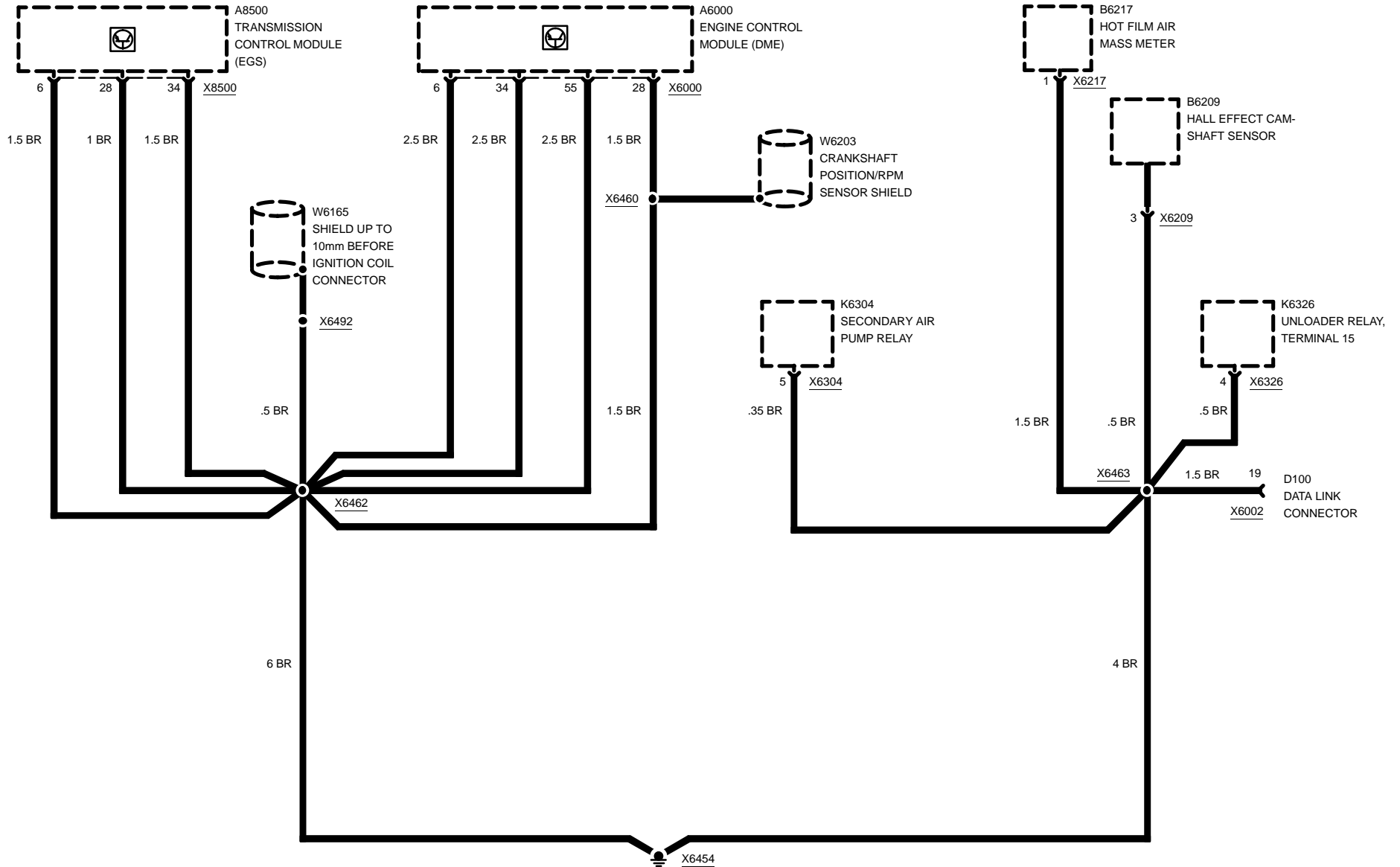
1999



DATA LINK

318i

DATA LINK CONNECTOR, PIN 19



03/00

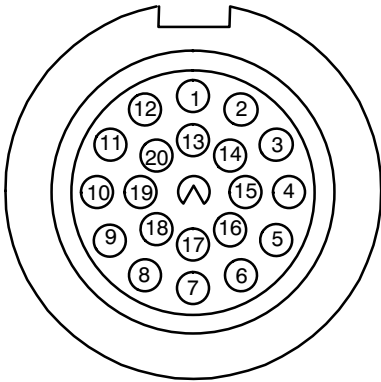
0670.5-08

1999

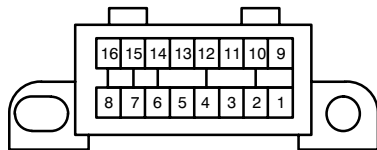
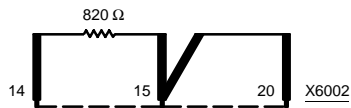


DATA LINK

DATA LINK CONNECTOR (X6002)



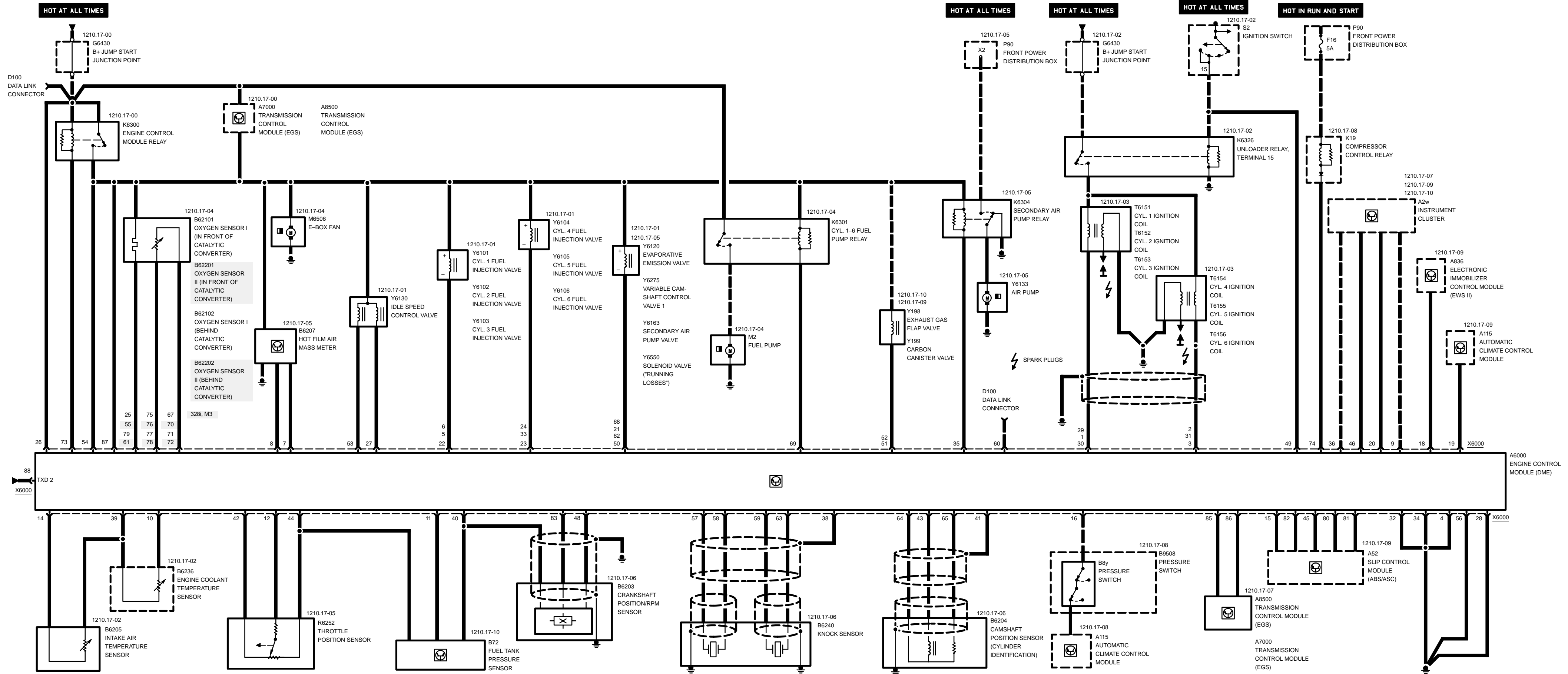
BRIDGES IN CAP OF D100 DATA LINK CONNECTOR

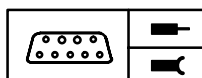


BRIDGE IN CAP OF D110 OBD II CONNECTOR



PIN NUMBER	TERMINAL NUMBER	TERMINAL DESCRIPTION	WIRE COLOR
1	TD	ENGINE	SW
2	TXD2	DIAGNOSTIC DATA LINK	WS/VI/GE
3	—	NOT OCCUPIED	
4	R	VOLTAGE: HOT IN ACCY, RUN AND START	SW/VI/GE
5	—	NOT OCCUPIED	
6	—	NOT OCCUPIED	
7	SI	SERVICE INTERVAL RESET	WS/GN
8	—	NOT OCCUPIED	
9	—	NOT OCCUPIED	
10	—	NOT OCCUPIED	
11	—	NOT OCCUPIED	
12	61(D+)	GENERATOR CHARGE INDICATOR	BL
13	—	NOT OCCUPIED	
14	30	VOLTAGE: HOT AT ALL TIMES	RT
15	RXD	DIAGNOSTIC DATA LINK	WS/GE
16	15S	VOLTAGE: IGNITION SWITCH IN RUN AND START	GN/WS
17	TXD2	DIAGNOSTIC DATA LINK	WS/VI – WS/VI/GE
18	PGSP	PROGRAM SELECT FOR ENGINE CONTROL MODULE (DME)	WS/GN – GN/BL
19	31	GROUND	BR – BR/OR
20	TXD	DIAGNOSTIC DATA LINK	WS/VI



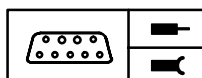


Pin Assignments

X6000

Pin	Type	Description/Function	Connection
1	A	Cyl. 2 ignition coil control	Cyl. 2 ignition coil
2	A	Cyl. 4 ignition coil control	Cyl. 4 ignition coil
3	A	Cyl. 6 ignition coil control	Cyl. 6 ignition coil
4	M	Ground	Ground point
5	A	Cyl. 2 fuel injection valve control	Cyl. 2 fuel injection valve
6	A	Cyl. 1 fuel injection valve control	Cyl. 1 fuel injection valve
7	M	Ground	Hot wire air mass meter
8	E	Hot wire air mass meter	Hot wire air mass meter
9	E	TI-measurement signal (fuel consumption)	Instrument cluster
10	E	Engine coolant temperature	Engine coolant temperature sensor
11	E	Fuel tank pressure	Fuel tank pressure sensor
12	E	Throttle position signal	Throttle position sensor
13		Not used	
14	E	Intake air temperature	Intake air temperature sensor
15	E	Speed signal right rear	ABS/ASC control module
16	E	Activate A/C	Pressure switch
17		Not used	
18	E	Drive-away protection signal (code)	Electronic immobilizer control module (EWS II)
19	E	A/C-ON-signal	Air conditioning operating unit
20	A	"Check engine" indicator control	Instrument cluster
21	A	Camshaft control	Variable camshaft control valve
22	A	Cyl. 3 fuel injection valve control	Cyl. 3 fuel injection valve
23	A	Cyl. 6 fuel injection valve control	Cyl. 6 fuel injection valve
24	A	Cyl. 4 fuel injection valve control	Cyl. 4 fuel injection valve
25	M	Oxygen sensor heating ground	Oxygen sensor (in front of catalytic converter)
26	E	Battery voltage	B+ jump start junction point
27	A	Activate valve	Idle speed control valve
28	M	Ground	Ground point
29	A	Cyl. 1 ignition coil control	Cyl. 1 ignition coil

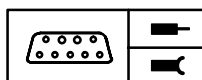
E = Input, A = Output, M = Ground



Pin Assignments

Pin	Type	Description/Function	Connection
30	A	Cyl. 3 ignition coil control	Cyl. 3 ignition coil
31	A	Cyl. 5 ignition coil control	Cyl. 5 ignition coil
32	M	Ground	Ground point
33	A	Cyl. 5 fuel injection valve control	Cyl. 5 fuel injection valve
34	M	Ground	Ground point
35	A	Activate relay	Secondary air pump relay
36	A	Crankshaft RPM speed signal TD	Instrument cluster
37		Not used	
38	M	Ground	Shield knock sensor
39	M	Ground	Temperature sensors
40	M	Ground	Crankshaft position/RPM sensor Fuel tank pressure sensor
41	M	Ground	Shield camshaft position sensor
42	M	Ground	Throttle position sensor
43	E	Camshaft position	Camshaft position sensor
44	A	Voltage supply	Throttle position sensor Fuel tank pressure sensor
45	A	Throttle position signal	ABS/ASC control module
46	E	TI-measurement signal (fuel consumption)	Instrument cluster
47		Not used	
48	A	Voltage supply	Crankshaft position/RPM sensor
49	E	Terminal 15	Ignition switch
50	A	Running losses	Solenoid valve
51	A	Activate valve	Carbon canister valve
52	A	Signal exhaust flap	Exhaust gas flap valve
53	A	Activate valve	Idle speed control valve
54	E	Battery voltage, terminal 87	Engine control module relay
55	M	Oxygen sensor heating ground	Oxygen sensor (in front of catalytic converter)
56	M	Ground	Ground point
57	E	Cyl. 1-3 knock sensor	Knock sensor
58	E	Cyl. 1-3 knock sensor	Knock sensor
59	E	Cyl. 4-6 knock sensor	Knock sensor

E = Input, A = Output, M = Ground



Pin Assignments

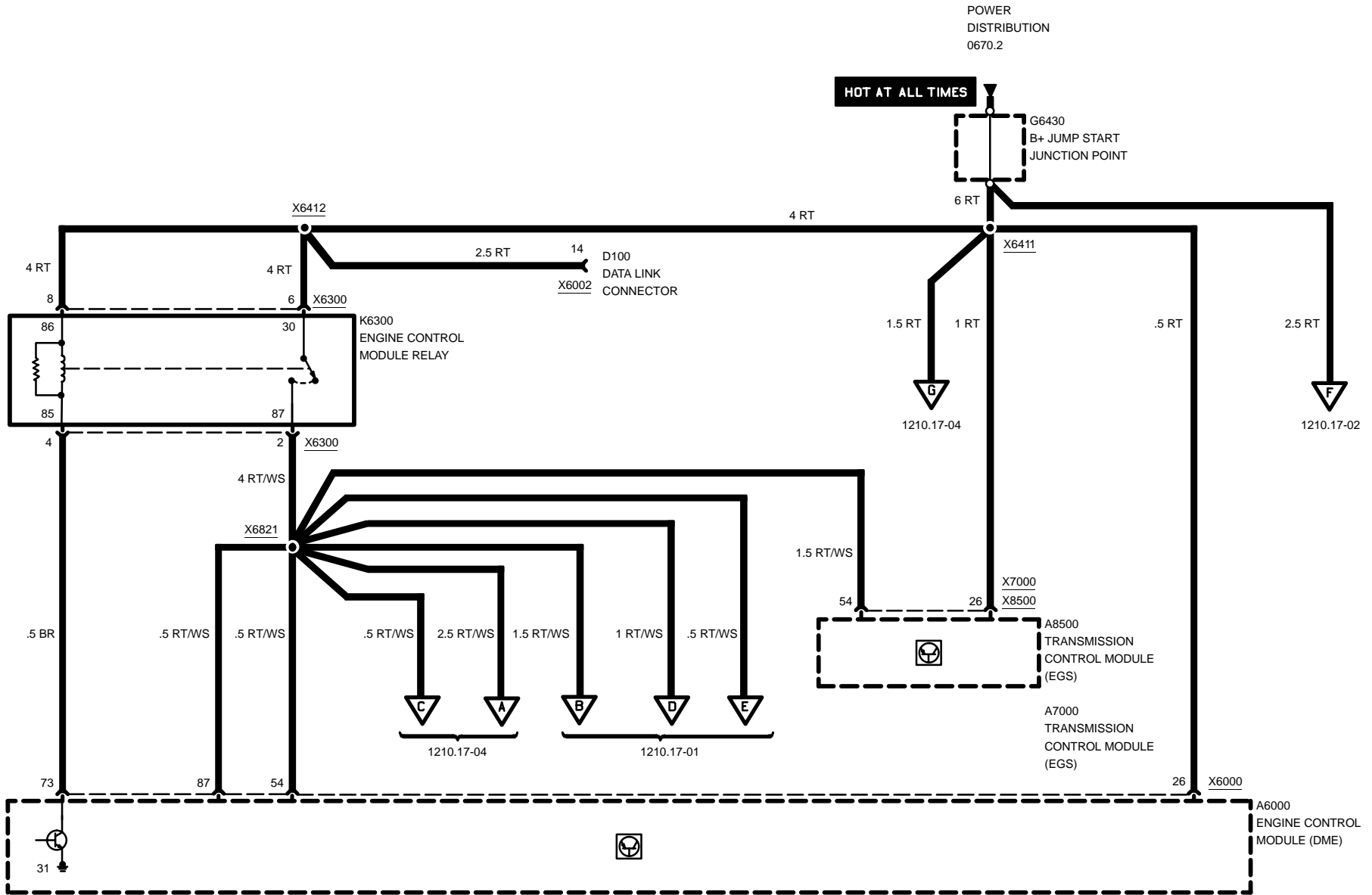
Pin	Type	Description/Function	Connection
60	E	Programming voltage	Data link connector
61	M	Oxygen sensor heating ground	Oxygen sensor (behind catalytic converter)
62	A	Activate valve	Secondary air pump valve
63	E	Cyl. 4-6 knock sensor	Knock sensor
64	M	Ground	Camshaft position sensor
65	E	Camshaft position	Camshaft position sensor
66		Not used	
67	M	Oxygen sensor signal ground	Oxygen sensor (in front of catalytic converter)
68	A	Activate valve	Evaporative emission valve
69	A	Activate relay	Fuel pump relay
70	M	Oxygen sensor signal ground	Oxygen sensor (in front of catalytic converter)
71	M	Oxygen sensor signal ground	Oxygen sensor (behind catalytic converter)
72	M	Oxygen sensor signal ground	Oxygen sensor (behind catalytic converter)
73	E	Activate relay	Engine control module relay
74	A	Activate A/C compressor	Compressor control relay
75	E	Sensor signal	Oxygen sensor (in front of catalytic converter)
76	E	Sensor signal	Oxygen sensor (in front of catalytic converter)
77	E	Sensor signal	Oxygen sensor (behind catalytic converter)
78	E	Sensor signal	Oxygen sensor (behind catalytic converter)
79	M	Oxygen sensor heating ground	Oxygen sensor (behind catalytic converter)
80	A	ASC signal ZA	Slip control module ABS/ASC
81	A	ASC signal ZWV	Slip control module ABS/ASC
82	A	ASC signal MSR	Slip control module ABS/ASC
83	E	Sensor signal	Crankshaft position/RPM sensor
84		Not used	
85	E/A	CAN LOW	Transmission control module EGS
86	E/A	CAN HIGH	Transmission control module EGS
87	E	Battery voltage, terminal 87	Engine control module relay
88	E/A	TxD diagnosis data link	Data link connector

E = Input, A = Output, M = Ground



ENGINE CONTROL SYSTEM MS41.1 (6-CYLINDER M52)

POWER



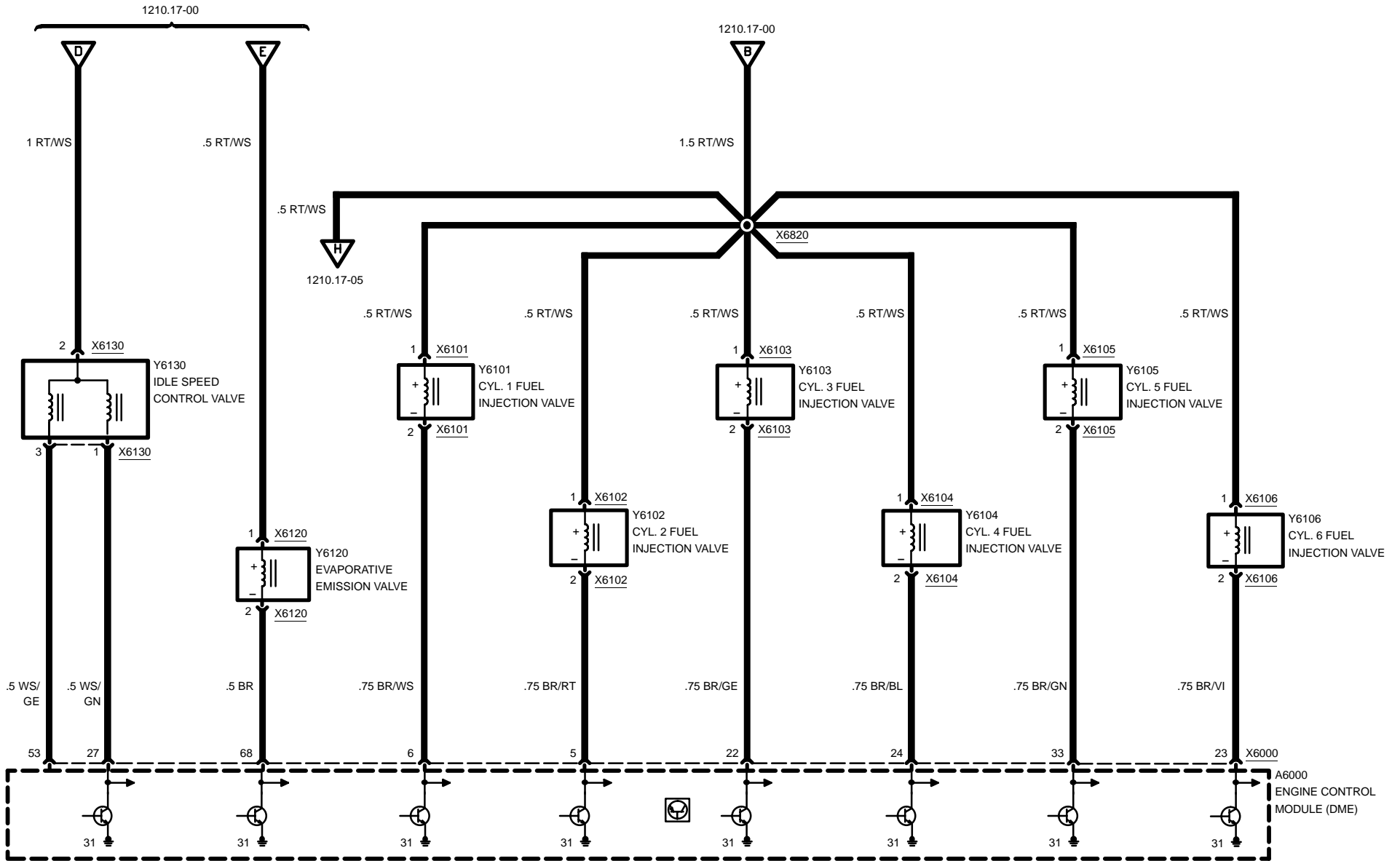
03/00

1210.17-00

1999



ENGINE CONTROL SYSTEM MS41.1 (6-CYLINDER M52)



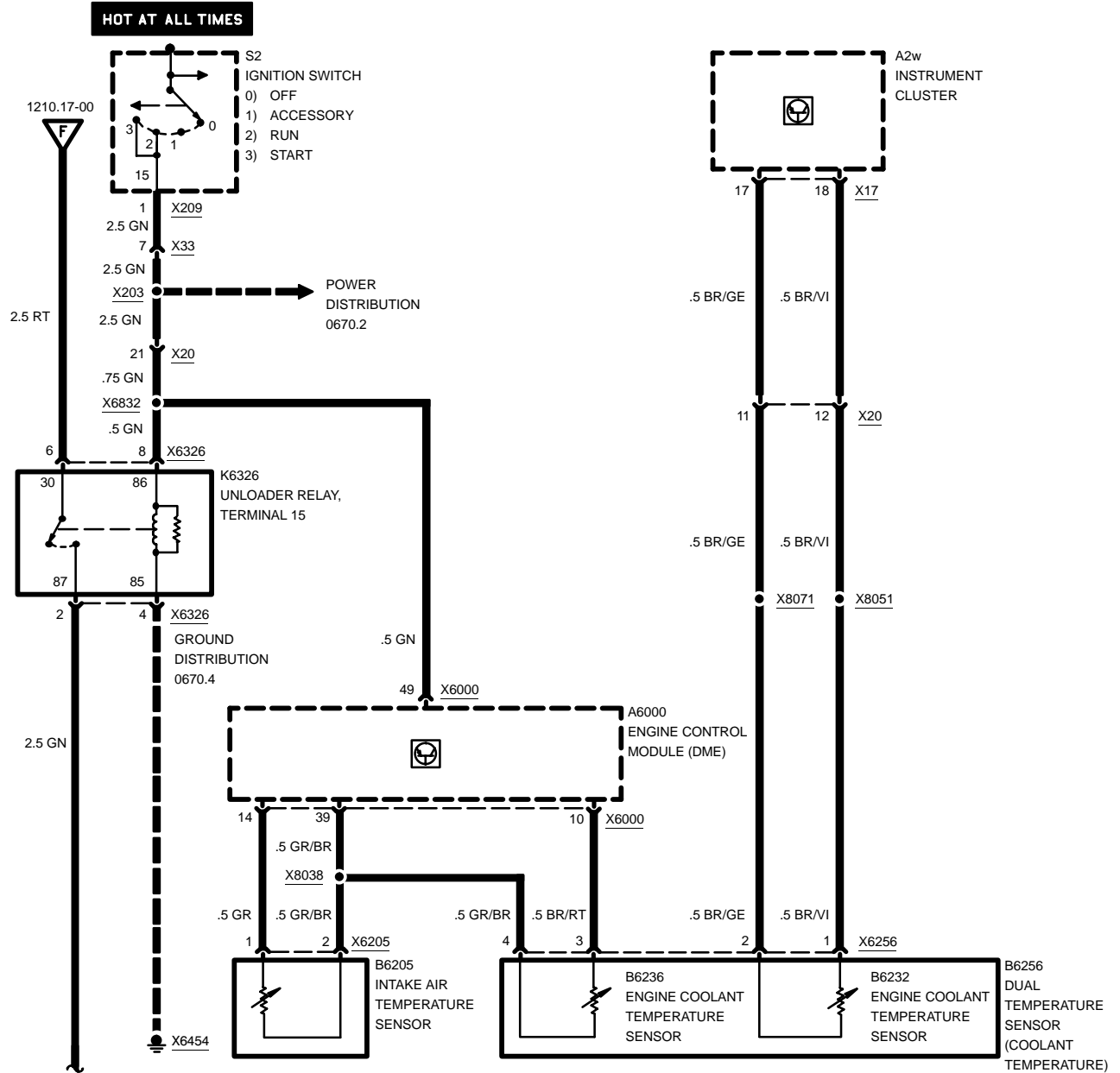
03/00

1210.17-01

1999



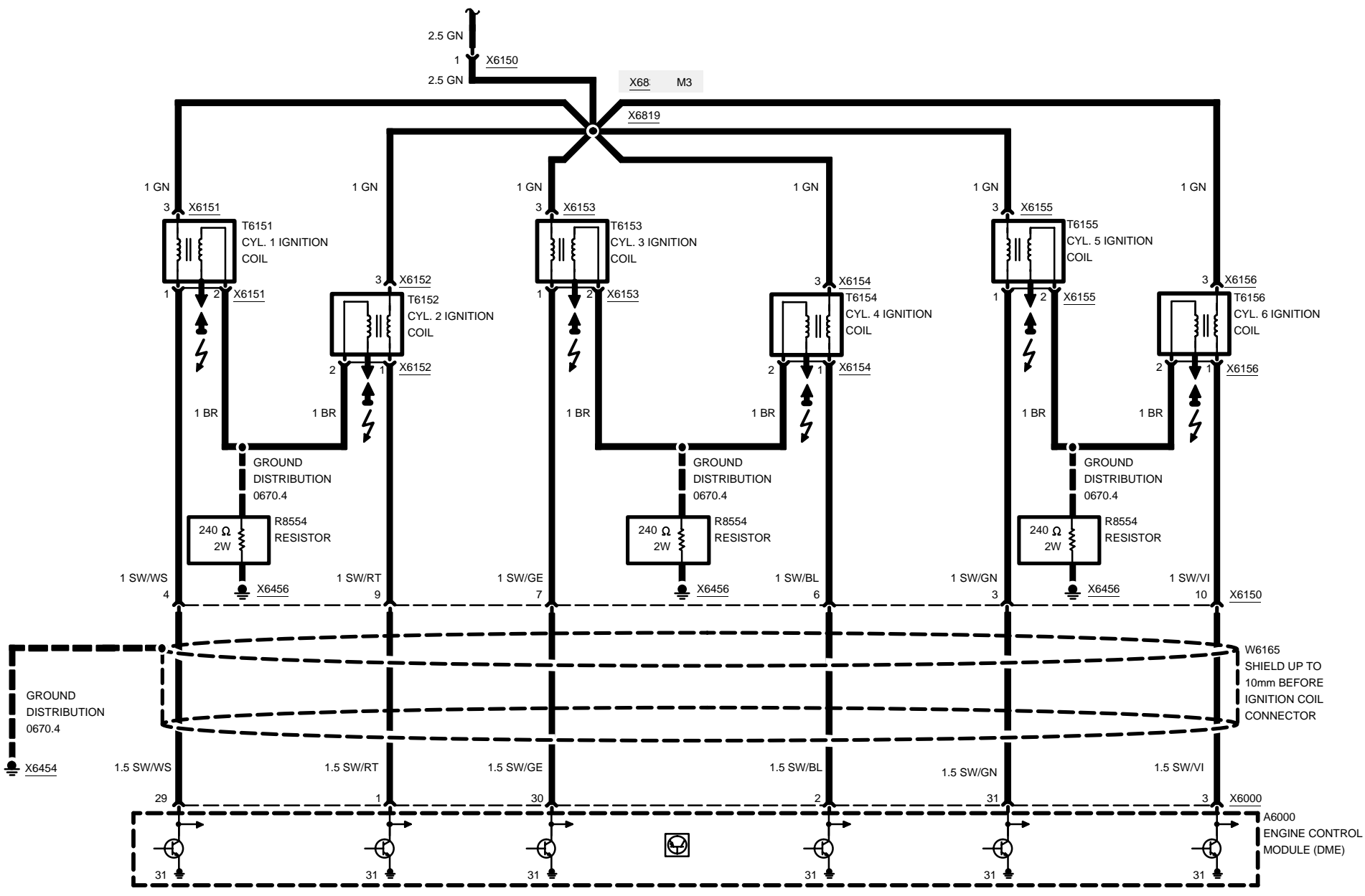
ENGINE CONTROL SYSTEM MS41.1 (6-CYLINDER M52)



03/00

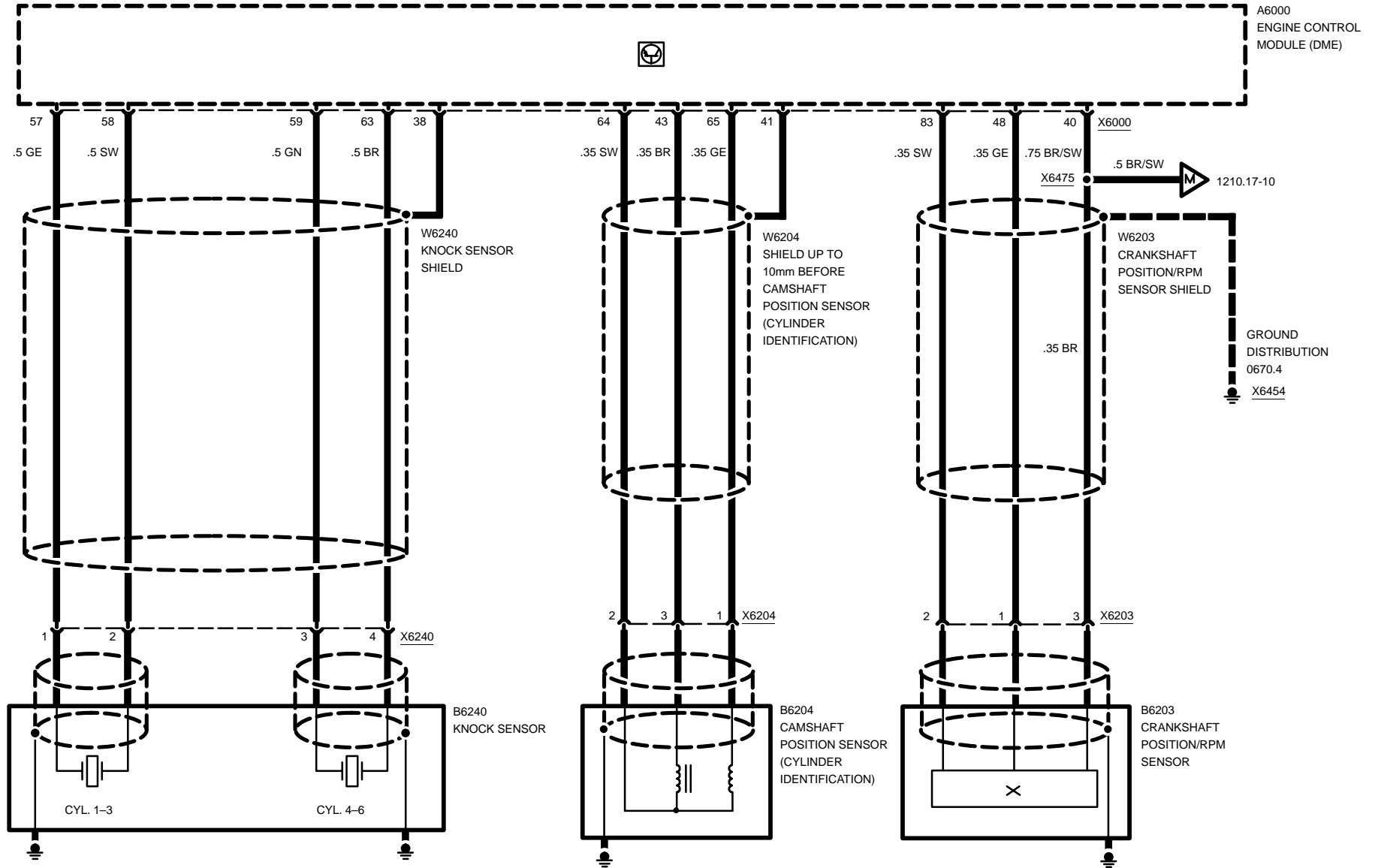
1210.17-02

1999



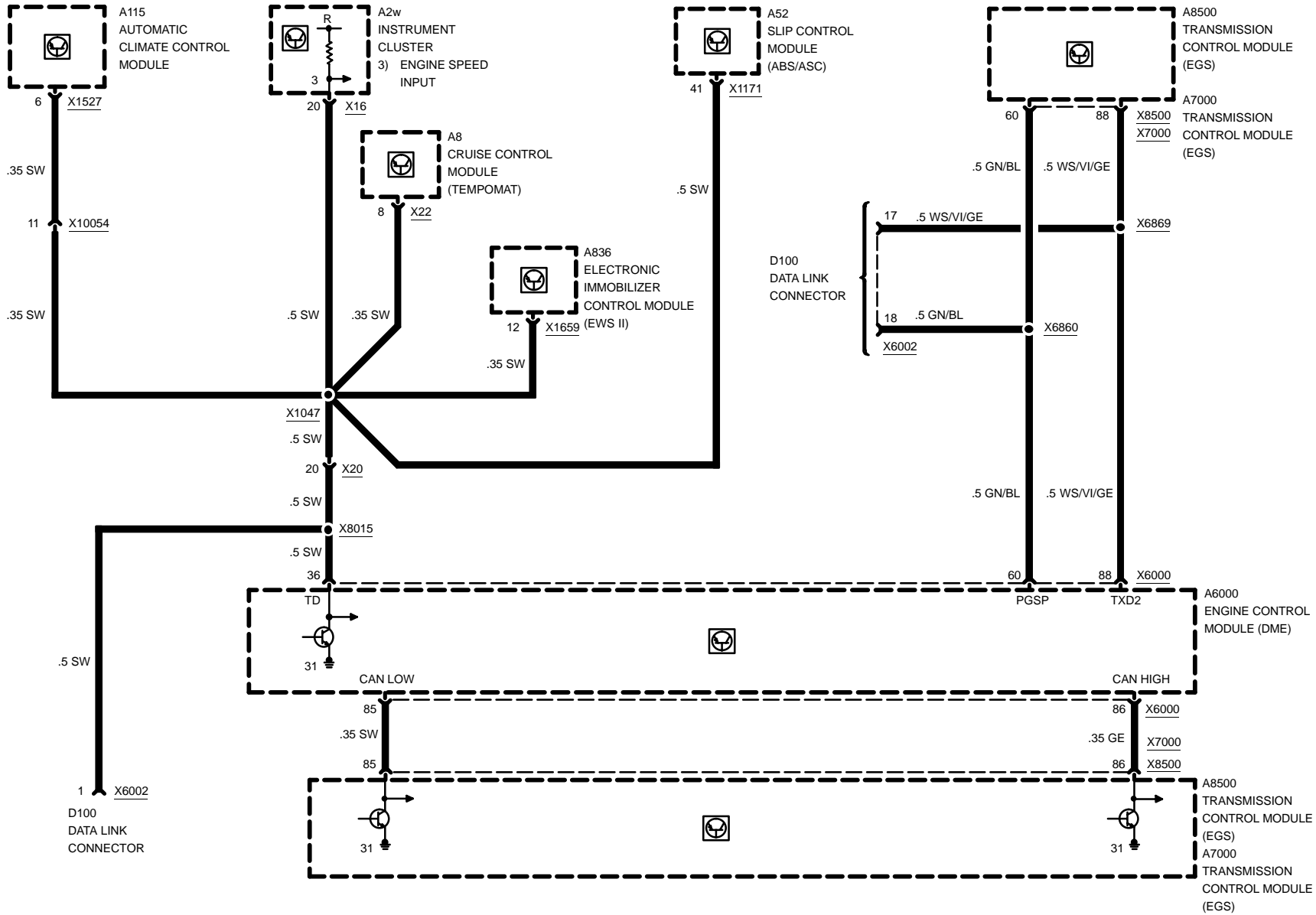


ENGINE CONTROL SYSTEM MS41.1 (6-CYLINDER M52)



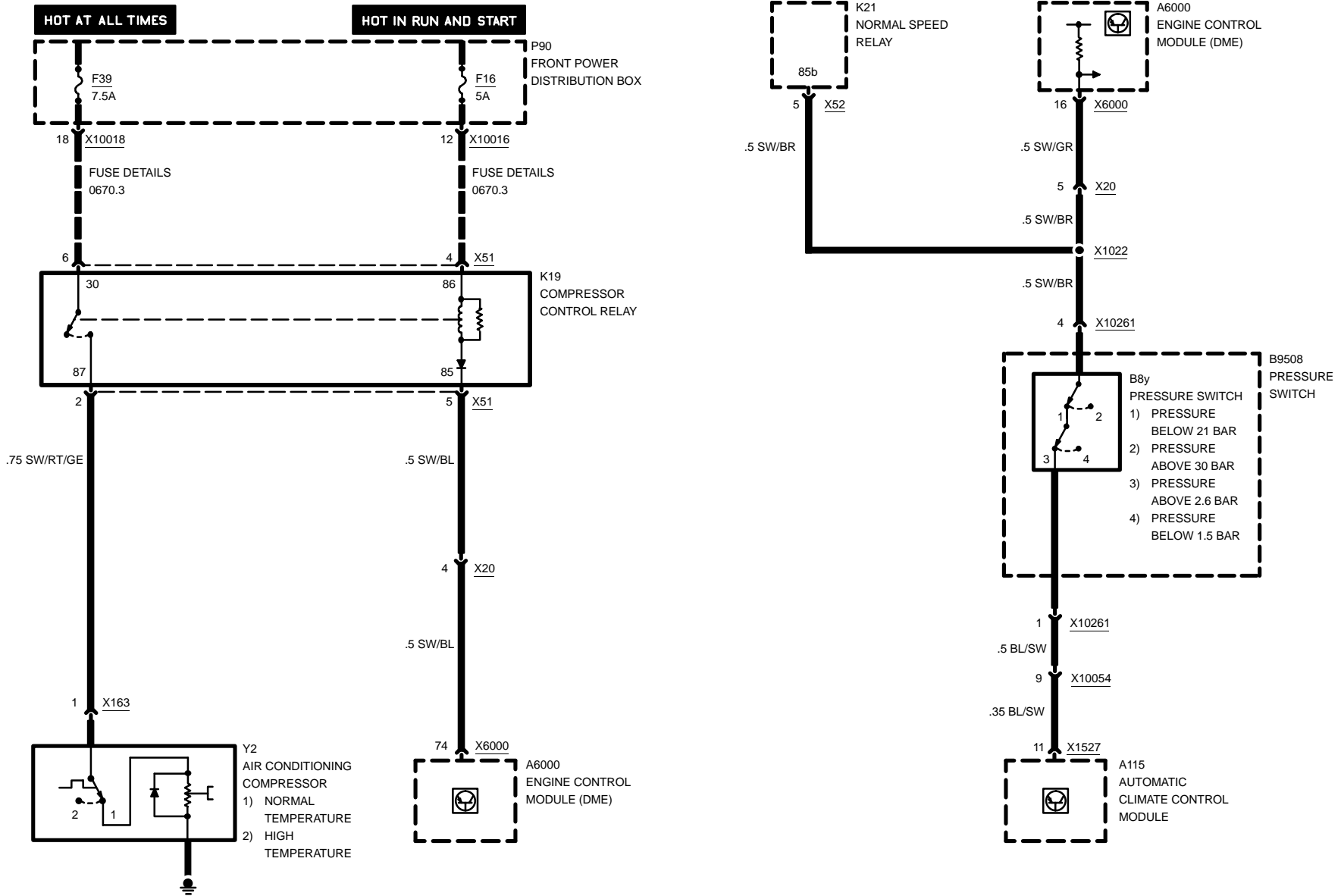


ENGINE CONTROL SYSTEM MS41.1 (6-CYLINDER M52)





ENGINE CONTROL SYSTEM MS41.1 (6-CYLINDER M52)



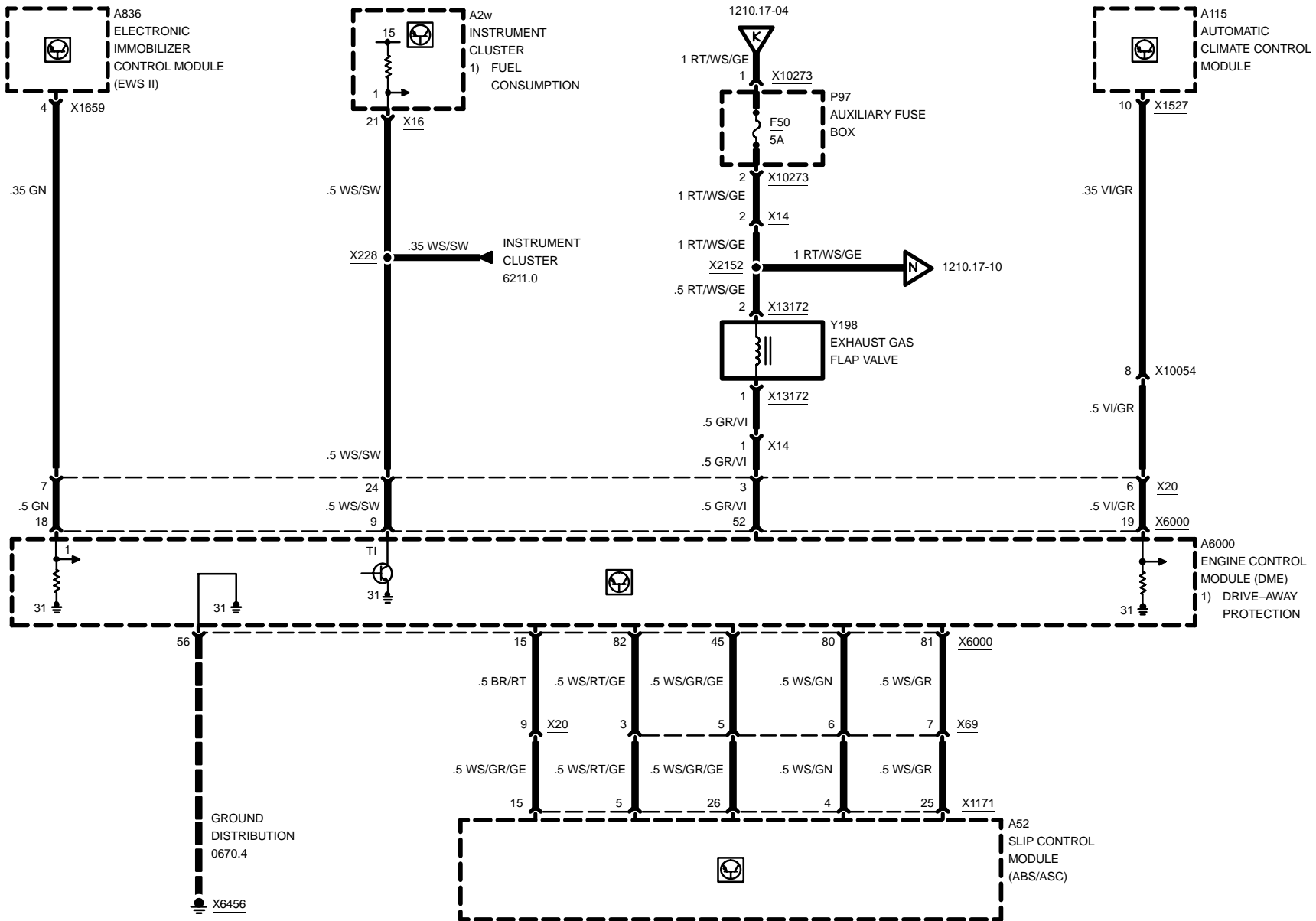
03/00

1210.17-08

1999



ENGINE CONTROL SYSTEM MS41.1 (6-CYLINDER M52)



03/00

1210.17-09

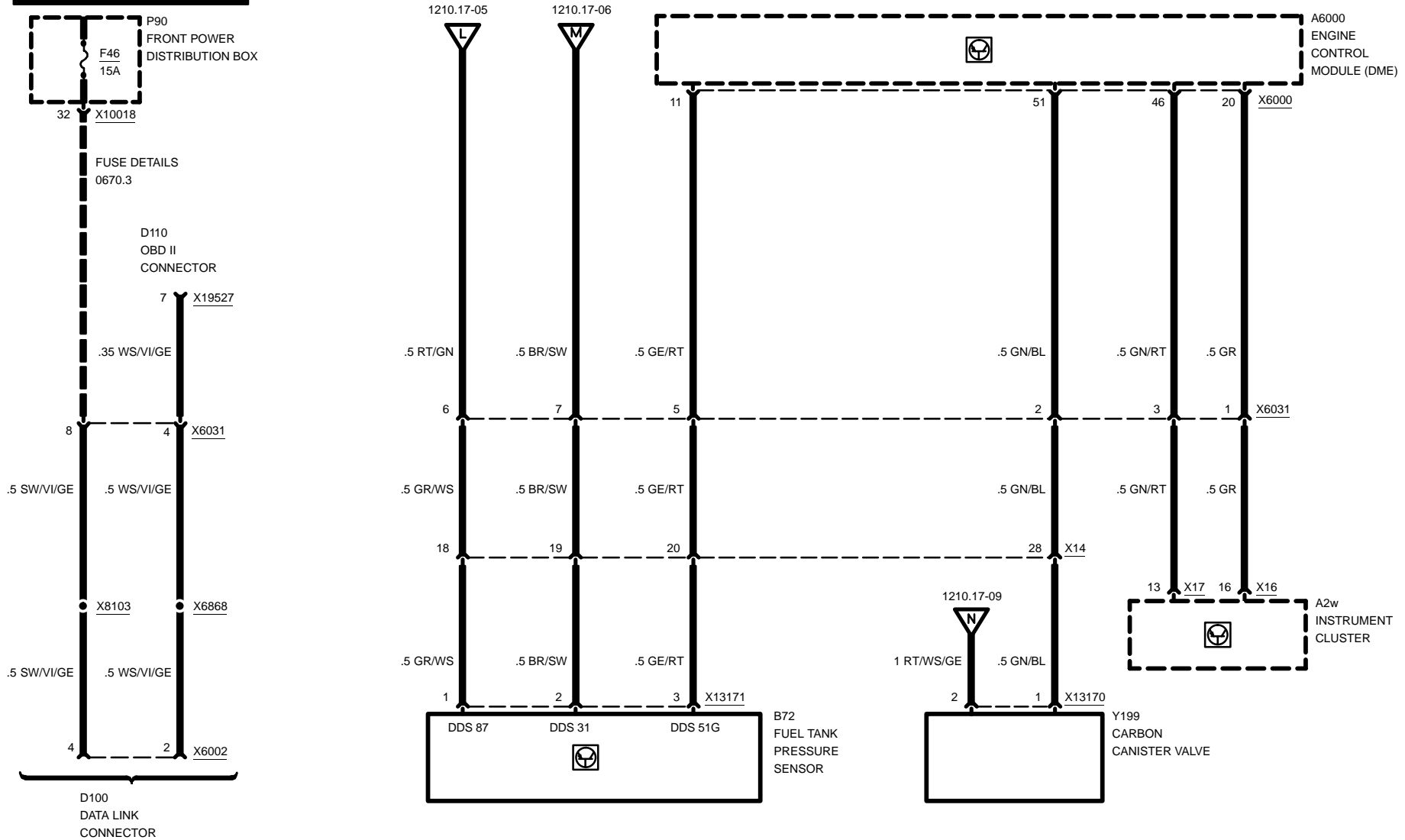
1999



ENGINE CONTROL SYSTEM MS41.1 (6-CYLINDER M52)

OBD II DIAGNOSIS

HOT IN ACCY RUN AND START

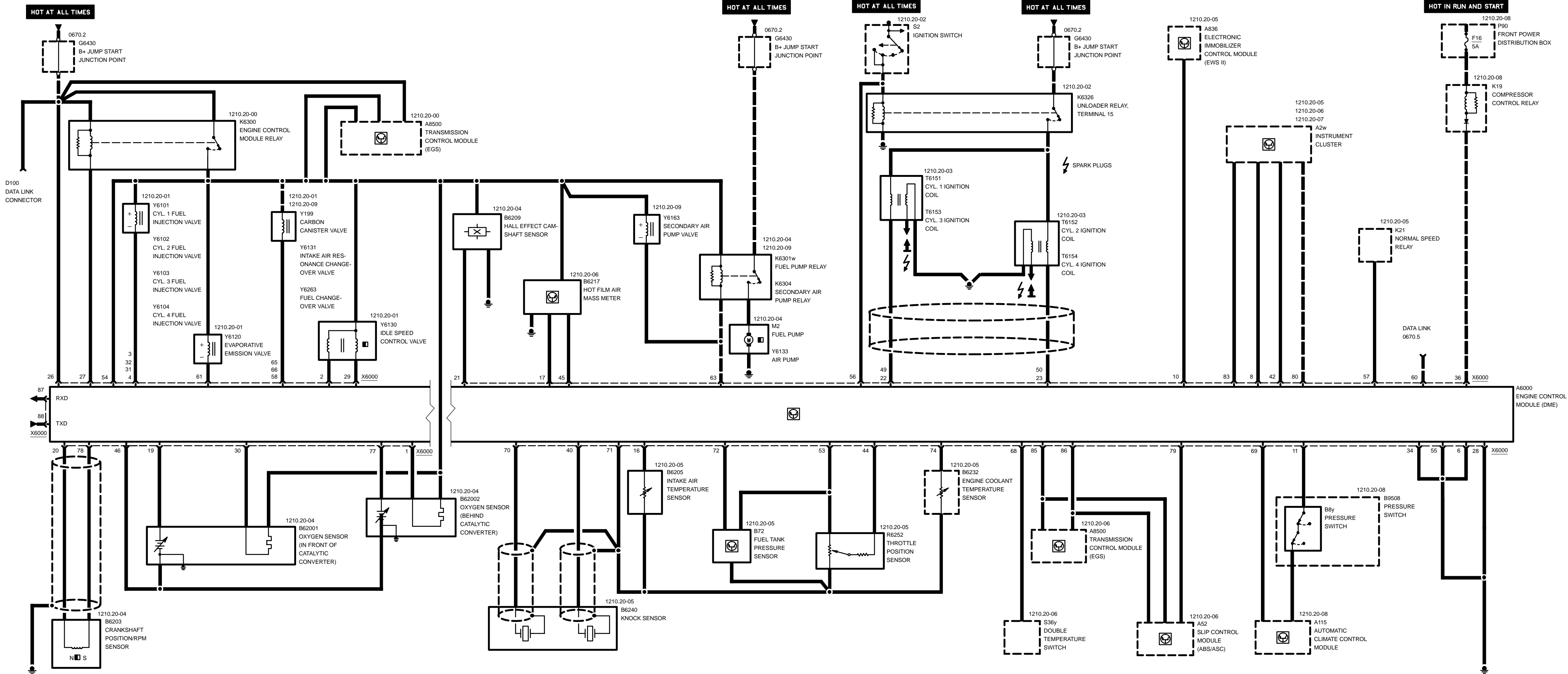


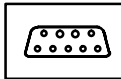
1210.20 ENGINE CONTROL SYSTEM (DME M5.2, 4-CYLINDER M44)

03/00

1210.20

1999



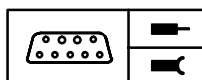


Pin Assignments

X6000

Pin	Type	Description/Function	Connection
89	M	Oxygen sensor heating ground	Oxygen sensor (behind catalytic converter)
90	A	Activate valve	Idle speed control valve
91	A	Activate valve	Cyl. 1 fuel injection valve
92	A	Activate valve	Cyl. 4 fuel injection valve
93		Not used	
94	M	Ground, fuel injection valve output stages	Ground point
95		Not used	
96	A	"Check engine" indicator control	Instrument cluster
97		Not used	
98	E	Drive away protection signal	Electronic immobilizer control module (EWS II)
99	E	Activate A/C	Pressure switch
100		Not used	
101		Not used	
102		Not used	
103		Not used	
104	E	Intake air temperature	Intake air temperature sensor
105	M	Ground	Hot film air mass meter
106		Not used	
107	E	Oxygen sensor signal	Oxygen sensor (in front of catalytic converter)
108	E	Crankshaft position/RPM	Crankshaft position/RPM sensor
109	E	Camshaft position	Hall effect camshaft sensor
110	A	Cyl. 3 ignition coil control	Cyl. 3 ignition coil
111	A	Cyl. 4 ignition coil control	Cyl. 4 ignition coil
112		Not used	
113		Not used	
114	E	Battery voltage	B+ jump start junction point
115	A	Engine control module relay control	Engine control module relay, terminal 85
116	M	Ground for electronics and shielding of sensors	Ground point

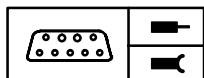
E = Input, A = Output, M = Ground



Pin Assignments

Pin	Type	Description/Function	Connection
117	A	Idle speed control valve control	Idle speed control valve
118	M	Oxygen sensor heating ground	Oxygen sensor (in front of catalytic converter)
119	A	Activate valve	Cyl. 3 fuel injection valve
120	A	Activate valve	Cyl. 2 fuel injection valve
121		Not used	
122	M	Ground, remaining output stages (except for ignition and fuel injection valves)	Ground point
123		Not used	
124	A	A/C compressor cut-out	Compressor control relay
125		Not used	
126		Not used	
127		Not used	
128	E	Cyl. 3-4 knock sensor	Knock sensor
129		Not used	
130	E	TI-measurement signal (fuel consumption)	Instrument cluster
131		Not used	
132	E	Throttle position	Throttle position sensor
133	E	Signal input	Hot film air mass meter
134	M	Sensor ground	Oxygen sensors
135		Not used	
136		Not used	
137	A	Cyl. 1 ignition coil control	Cyl. 1 ignition coil
138	A	Cyl. 2 ignition coil control	Cyl. 2 ignition coil
139		Not used	
140		Not used	
141	A	Component supply +	Throttle position sensor
142	E	Battery voltage from engine control module relay	Engine control module relay, terminal 87
143	M	Ground, ignition	Ground point
144	E	Ignition switch, terminal 15	Ignition switch, terminal 15
145	A	Activate auxiliary fan	Normal speed relay
146	A	Activate valve	Intake air resonance change over valve

E = Input, A = Output, M = Ground



Pin Assignments

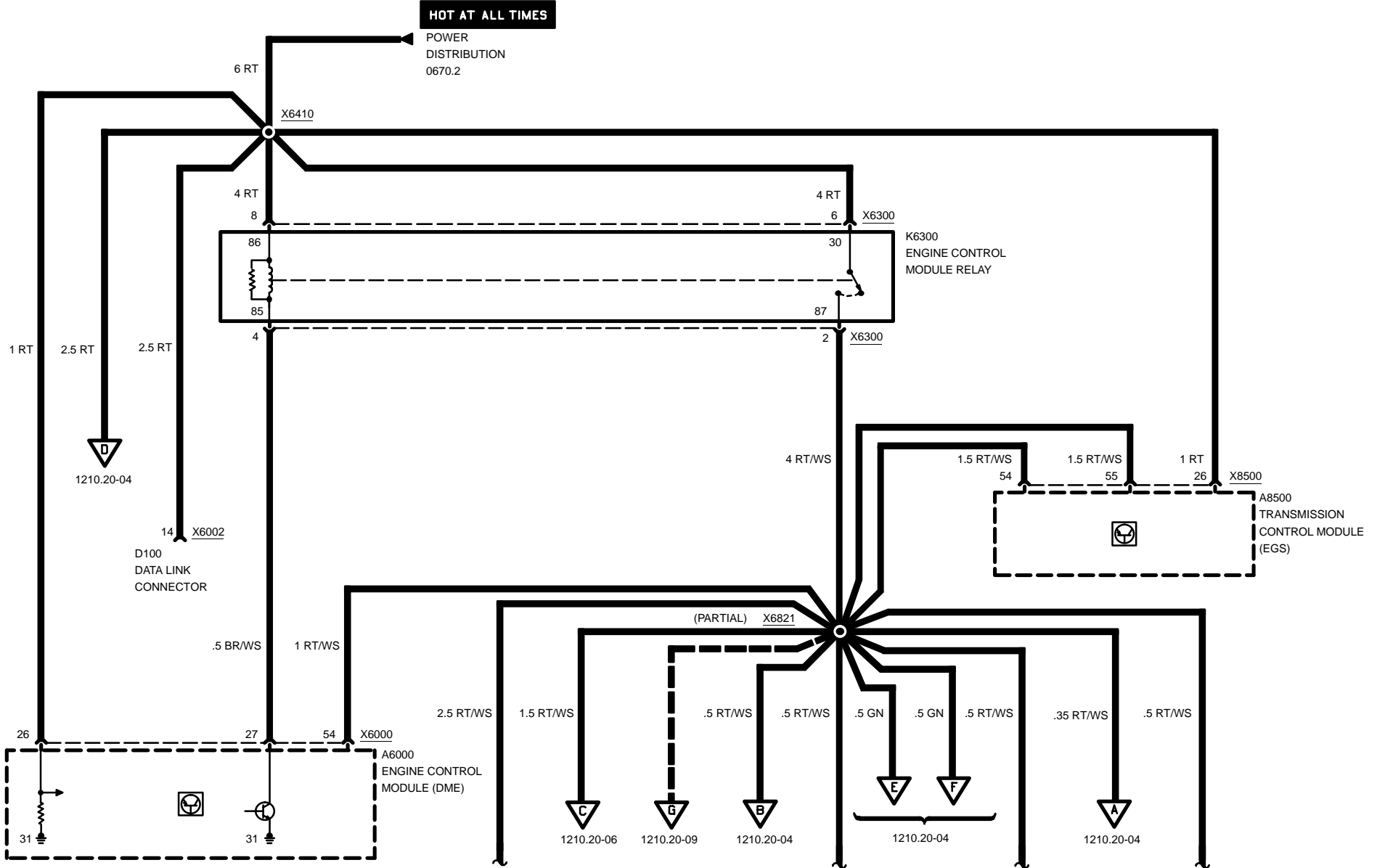
Pin	Type	Description/Function	Connection
147		Not used	
148	E	Programming voltage	Data link connector
149	A	Activate valve	Evaporation emission valve
150		Not used	
151	A	Activate relay	Fuel pump relay
152	A	Secondary air pump valve control	Secondary air pump valve
153	A	Carbon canister valve control	Carbon canister valve
154	A	Fuel changeover valve	Fuel changeover valve
155		Not used	
156	E	Signal above 80°C	Double temperature switch
157	E	Signal A/C on	Air conditioning operating unit
158	E	Cyl 1-2 knock sensor	Knock sensor
159	M	Ground for sensors	Temperature-/knock-/throttle position-sensors
160	E	Fuel tank pressure	Fuel tank pressure sensor
161		Not used	
162	E	Temperature signal	Engine coolant temperature sensor
163		Not used	
164		Not used	
165	E	Oxygen sensor signal	Oxygen sensor (behind catalytic converter)
166	E	Crankshaft position/RPM	Crankshaft position/RPM sensor
167	E	Speed signal right rear	ABS/ASC control module
168	A	Crankshaft RPM speed signal TD	Instrument cluster
169		Not used	
170		Not used	
171	E	Vehicle speed signal	Instrument cluster
172		Not used	
173	E/A	CAN-LOW	EGS/ASC control module
174	E/A	CAN-HIGH	EGS/ASC control module
175	A	RxD diagnosis data line	Data link connector
176	E/A	TxD diagnosis data line	Data link connector

E = Input, A = Output, M = Ground



ENGINE CONTROL SYSTEM (DME M5.2, 4-CYLINDER M44)

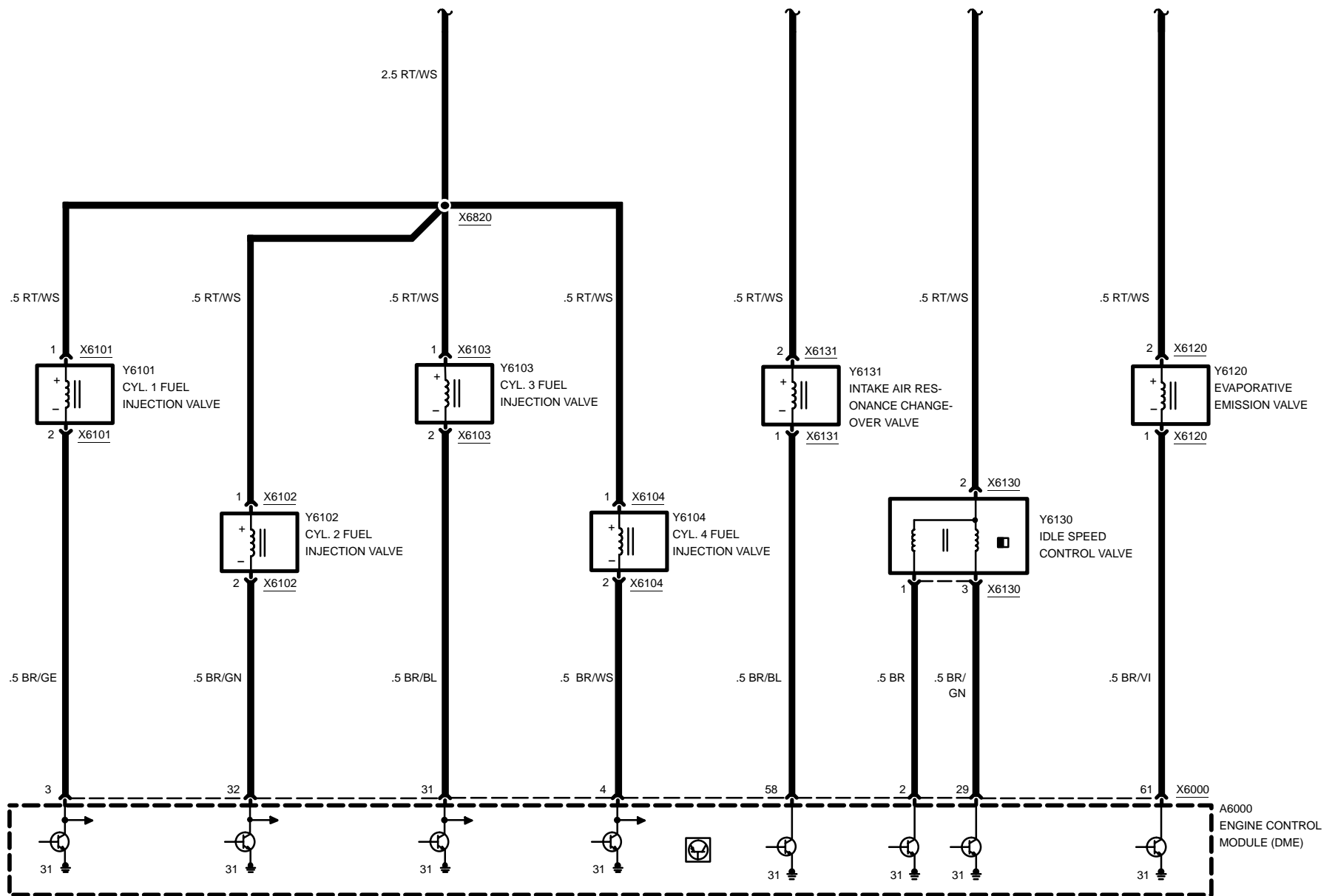
POWER, FUEL INJECTION VALVES



03/00

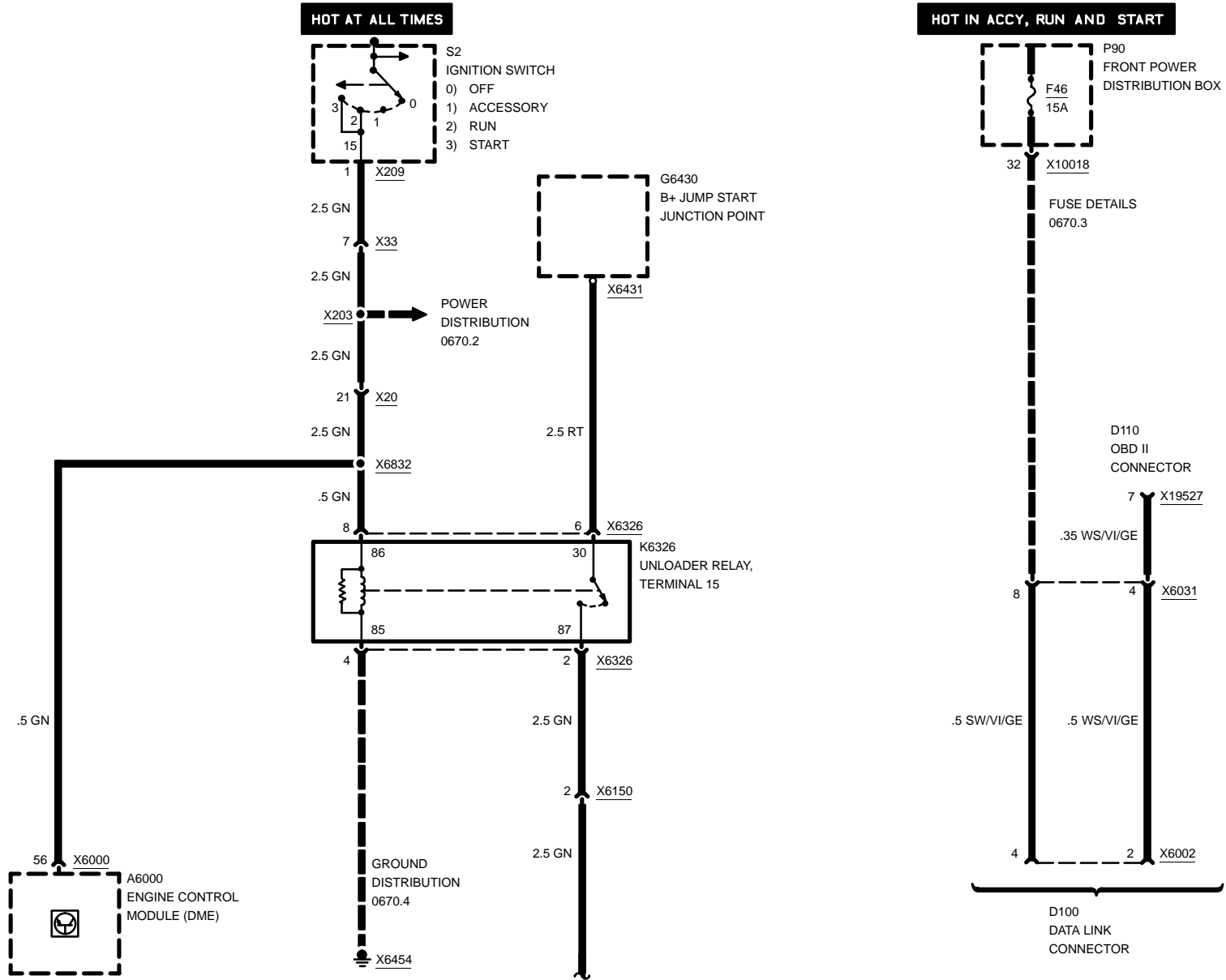
1210.20-00

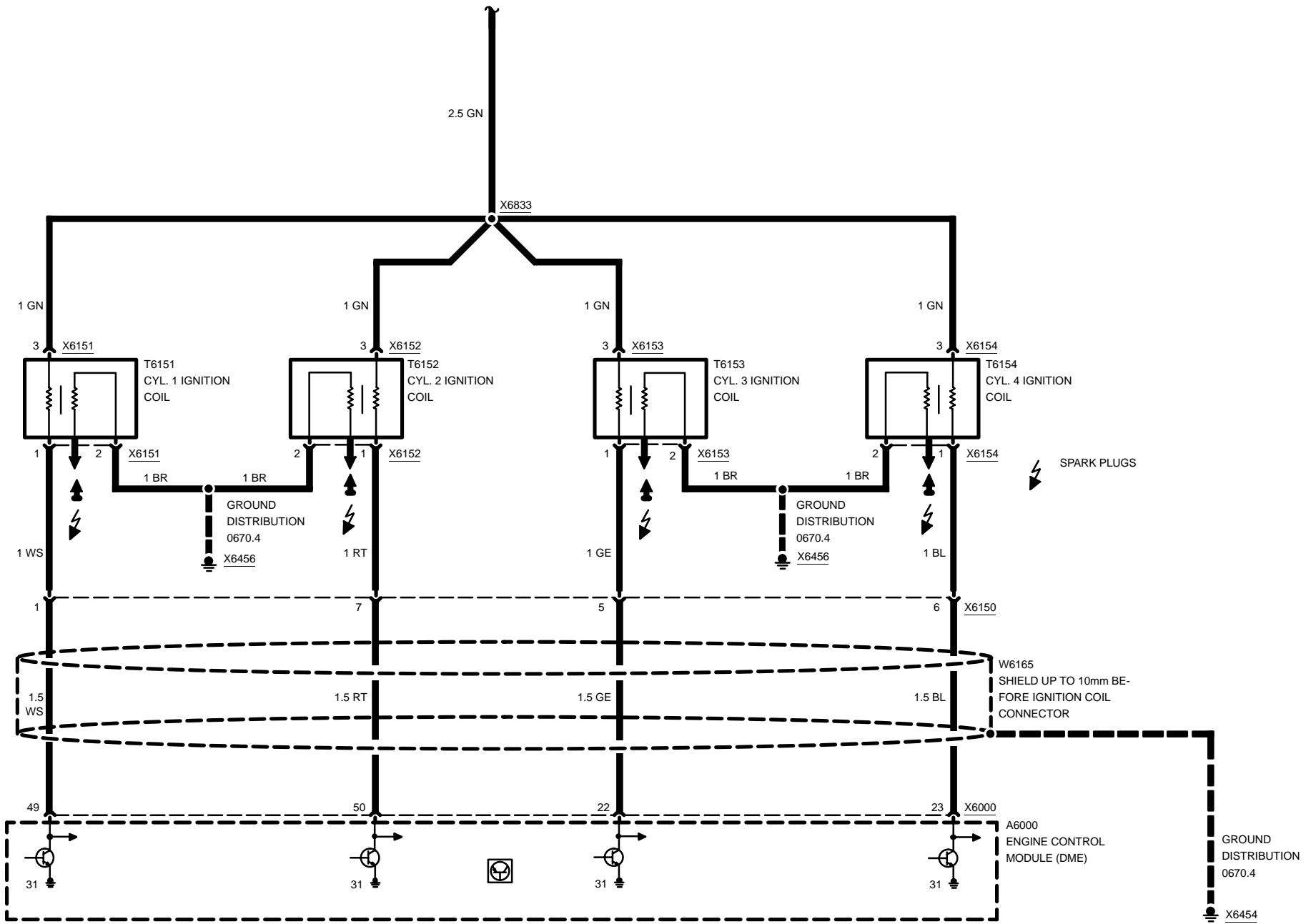
1999





ENGINE CONTROL SYSTEM (DME M5.2, 4-CYLINDER M44)

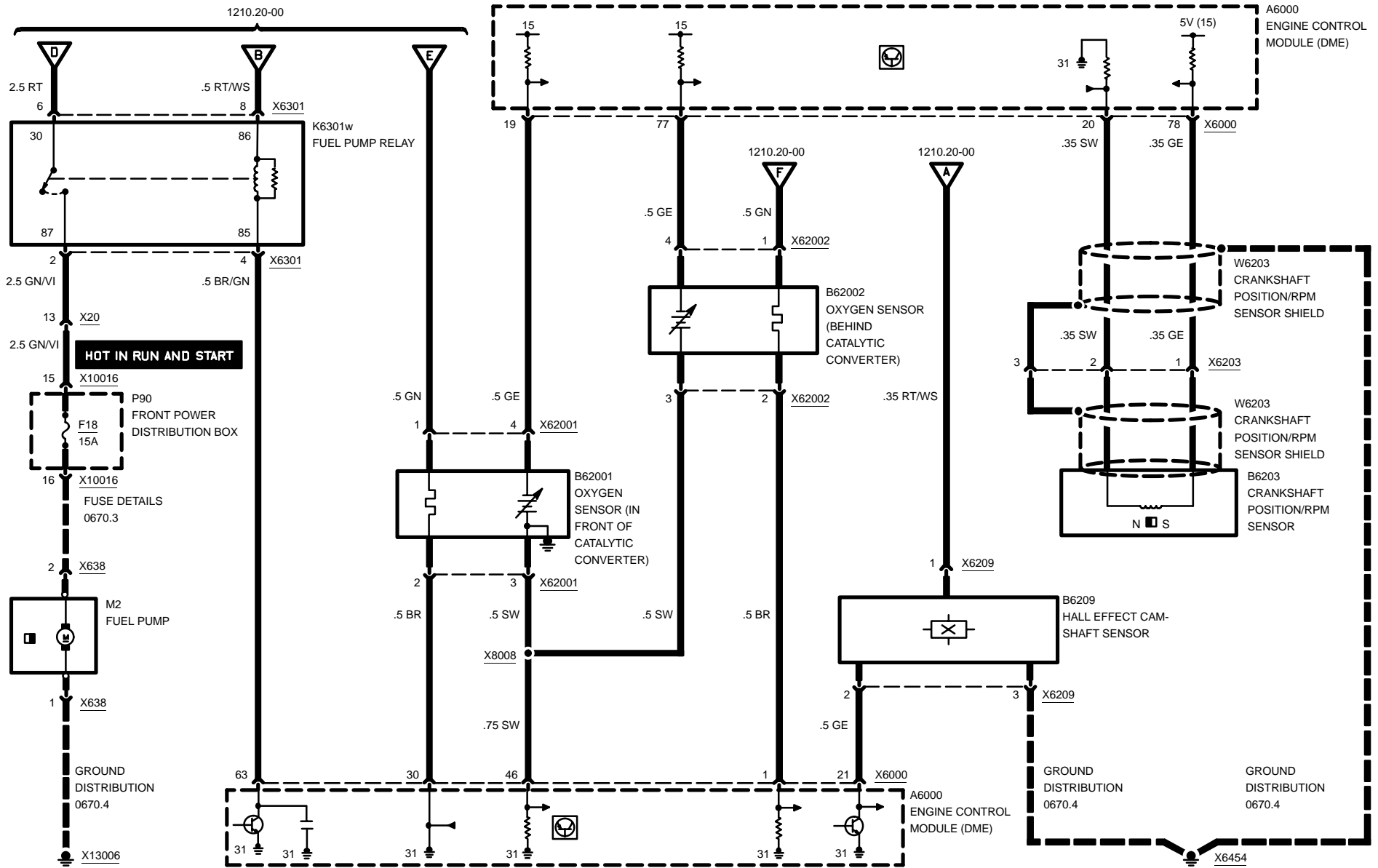






ENGINE CONTROL SYSTEM (DME M5.2, 4-CYLINDER M44)

FUEL PUMP, HEATED OXYGEN SENSOR, CRANKSHAFT SENSOR



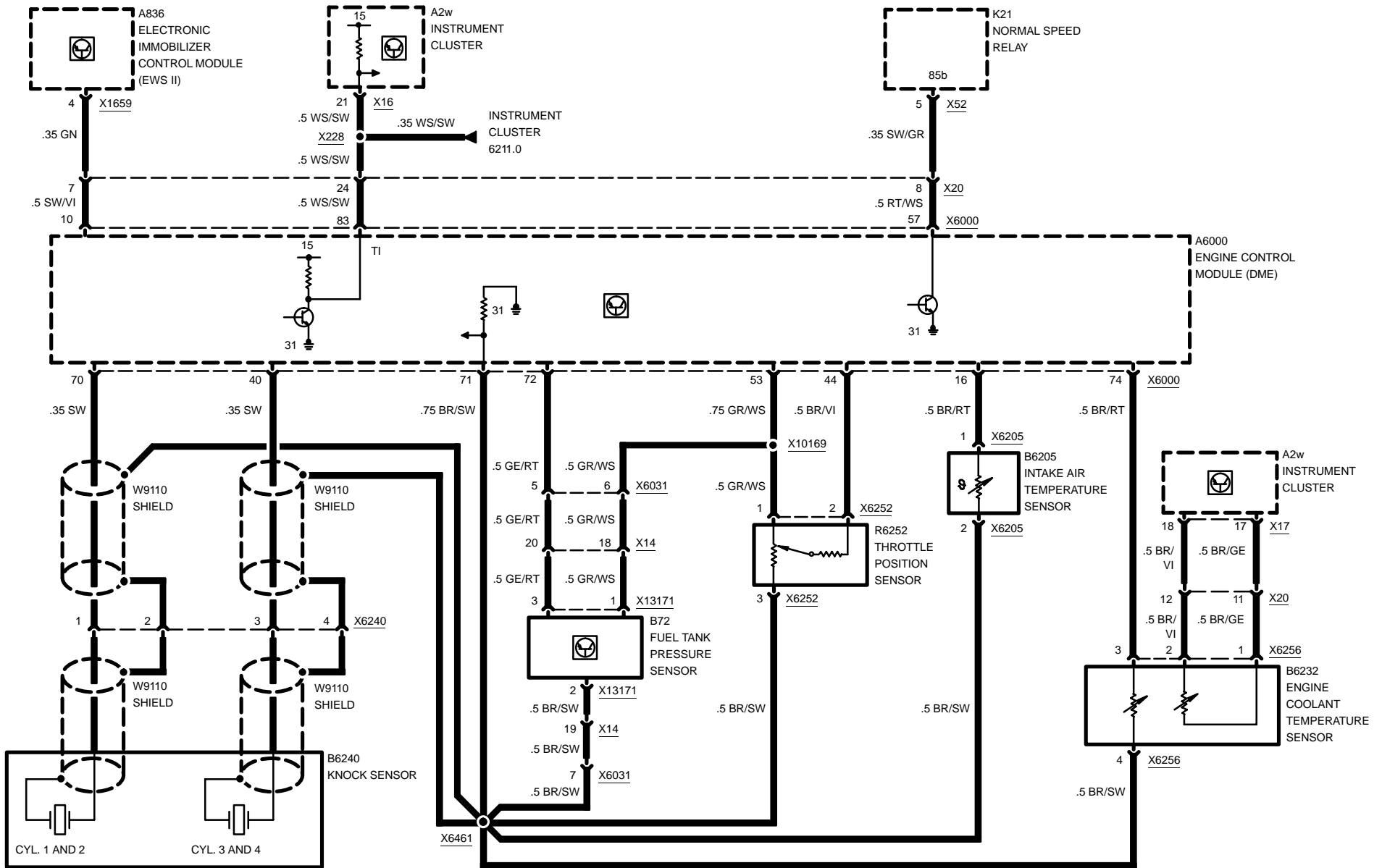
03/00

1210.20-04

1999

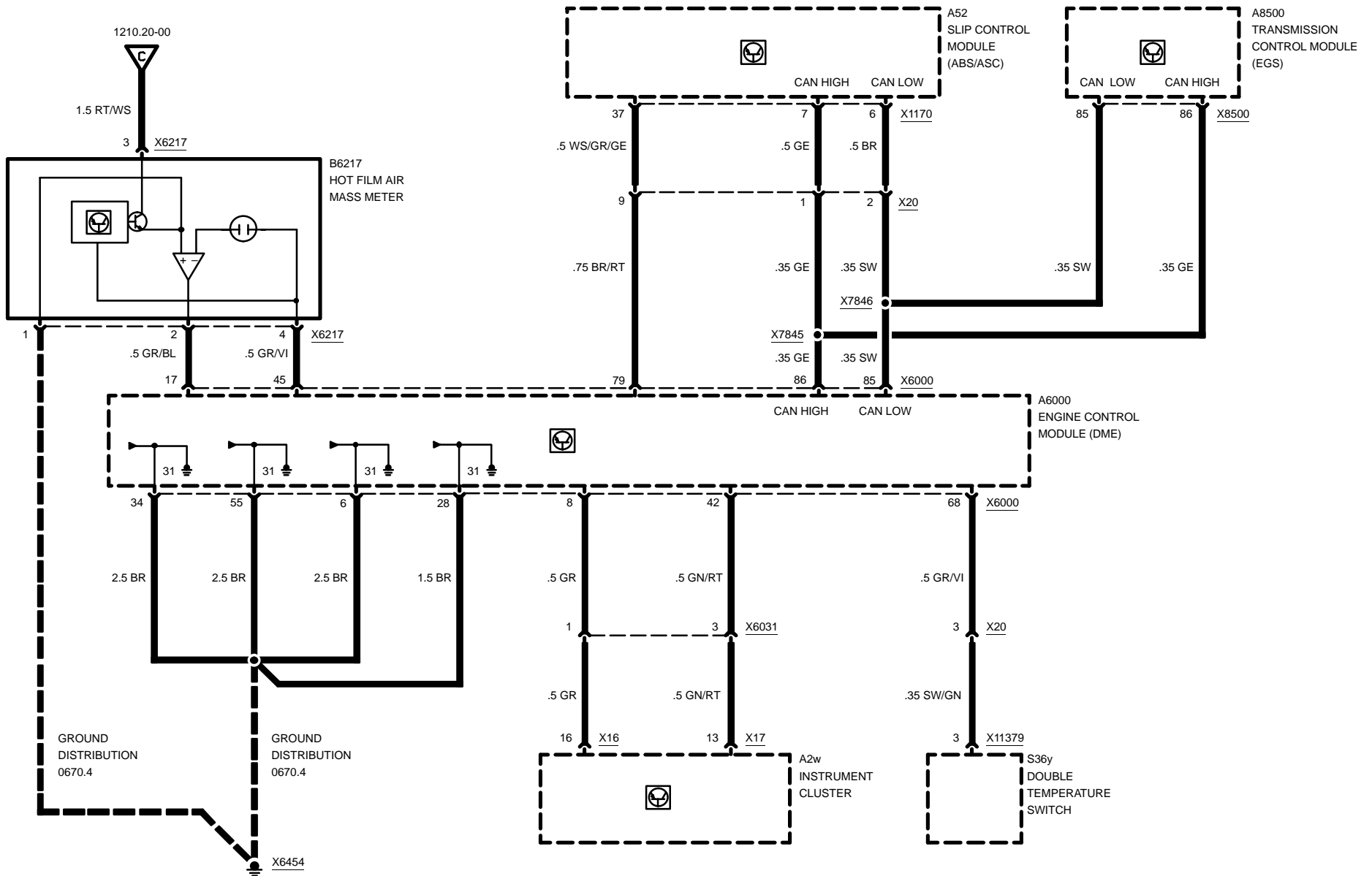


ENGINE CONTROL SYSTEM (DME M5.2, 4-CYLINDER M44)





ENGINE CONTROL SYSTEM (DME M5.2, 4-CYLINDER M44)



03/00

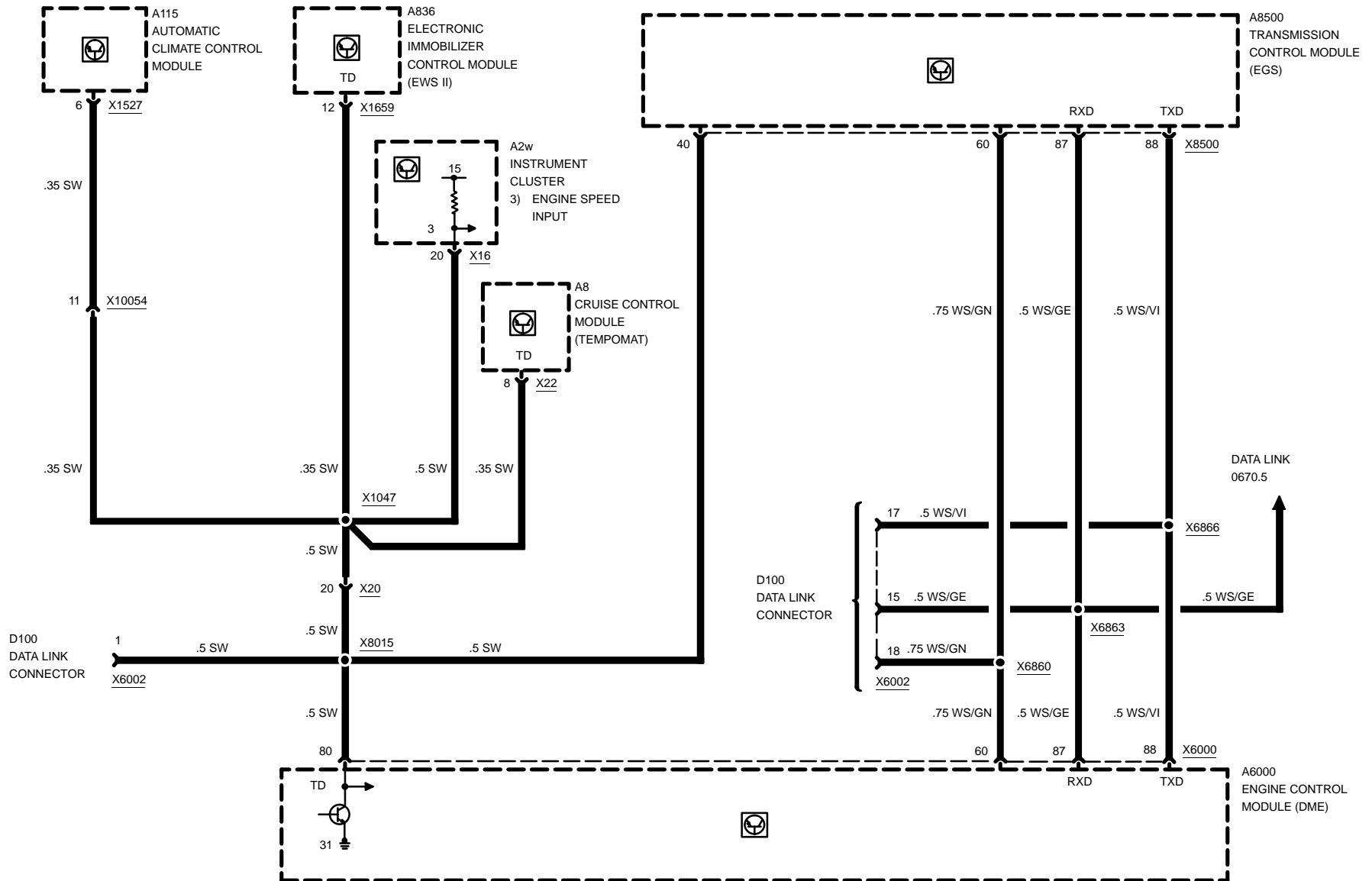
1210.20-06

1999



ENGINE CONTROL SYSTEM (DME M5.2, 4-CYLINDER M44)

DATA LINK



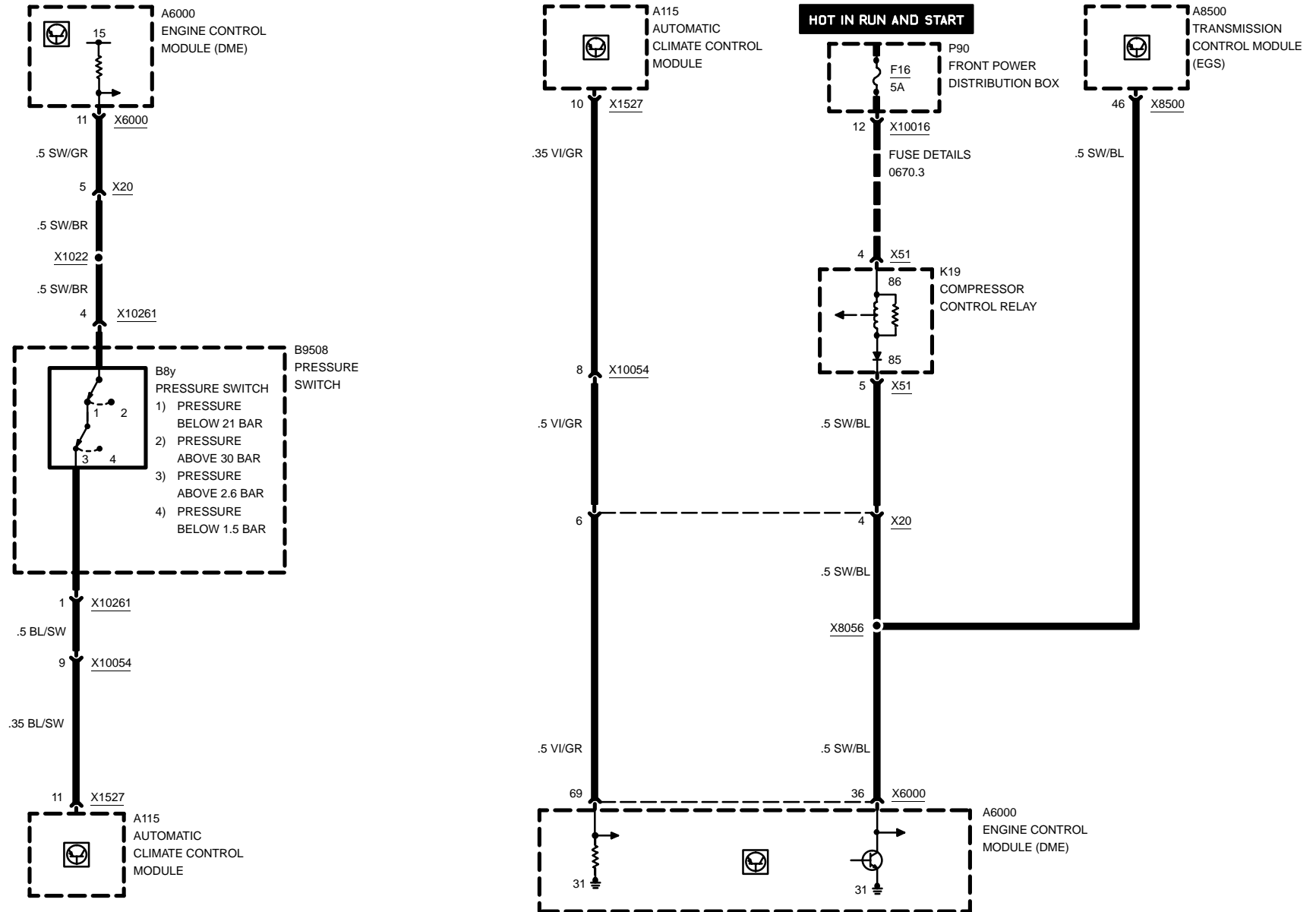
03/00

1210.20-07

1999



ENGINE CONTROL SYSTEM (DME M5.2, 4-CYLINDER M44)



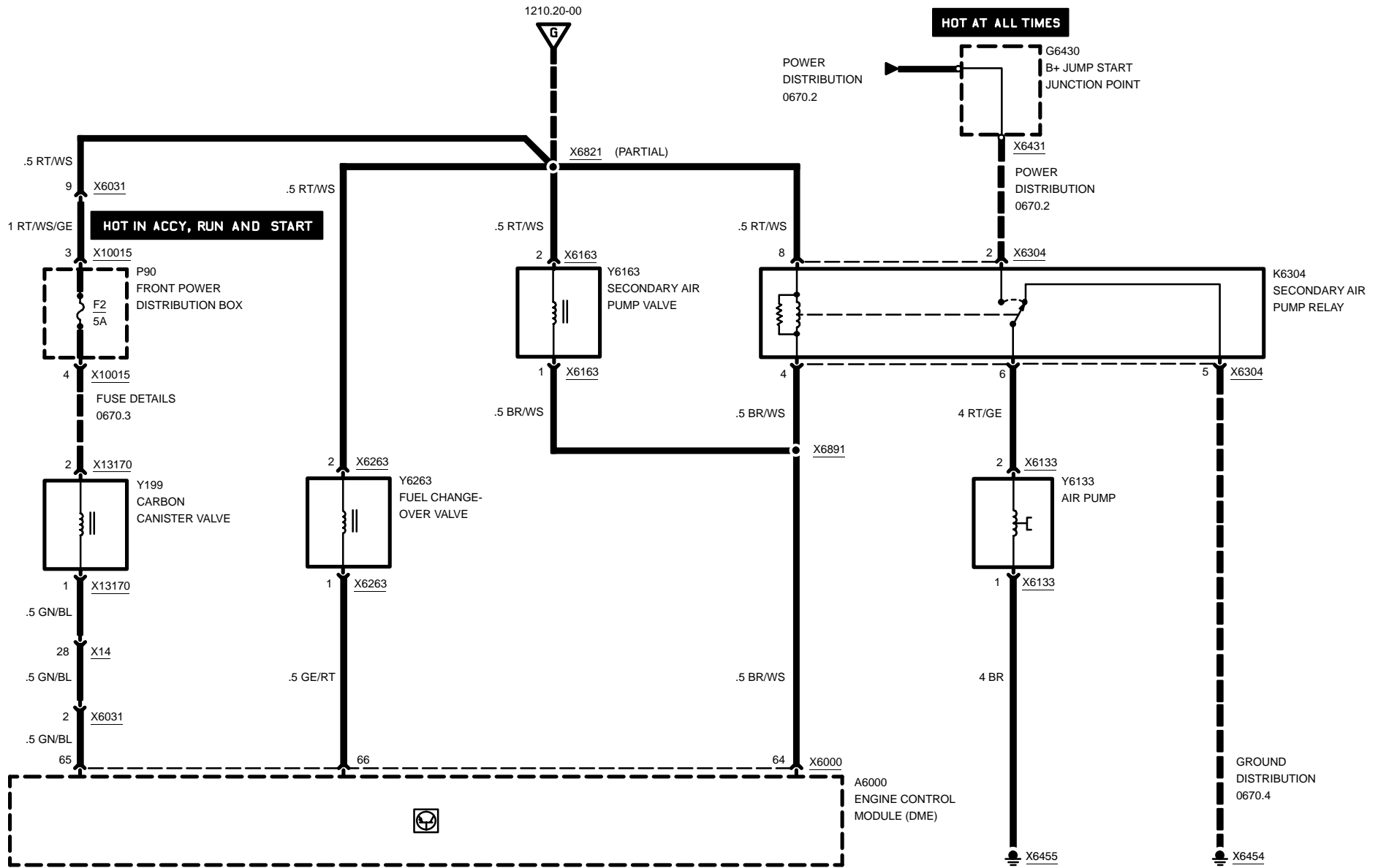
03/00

1210.20-08

1999

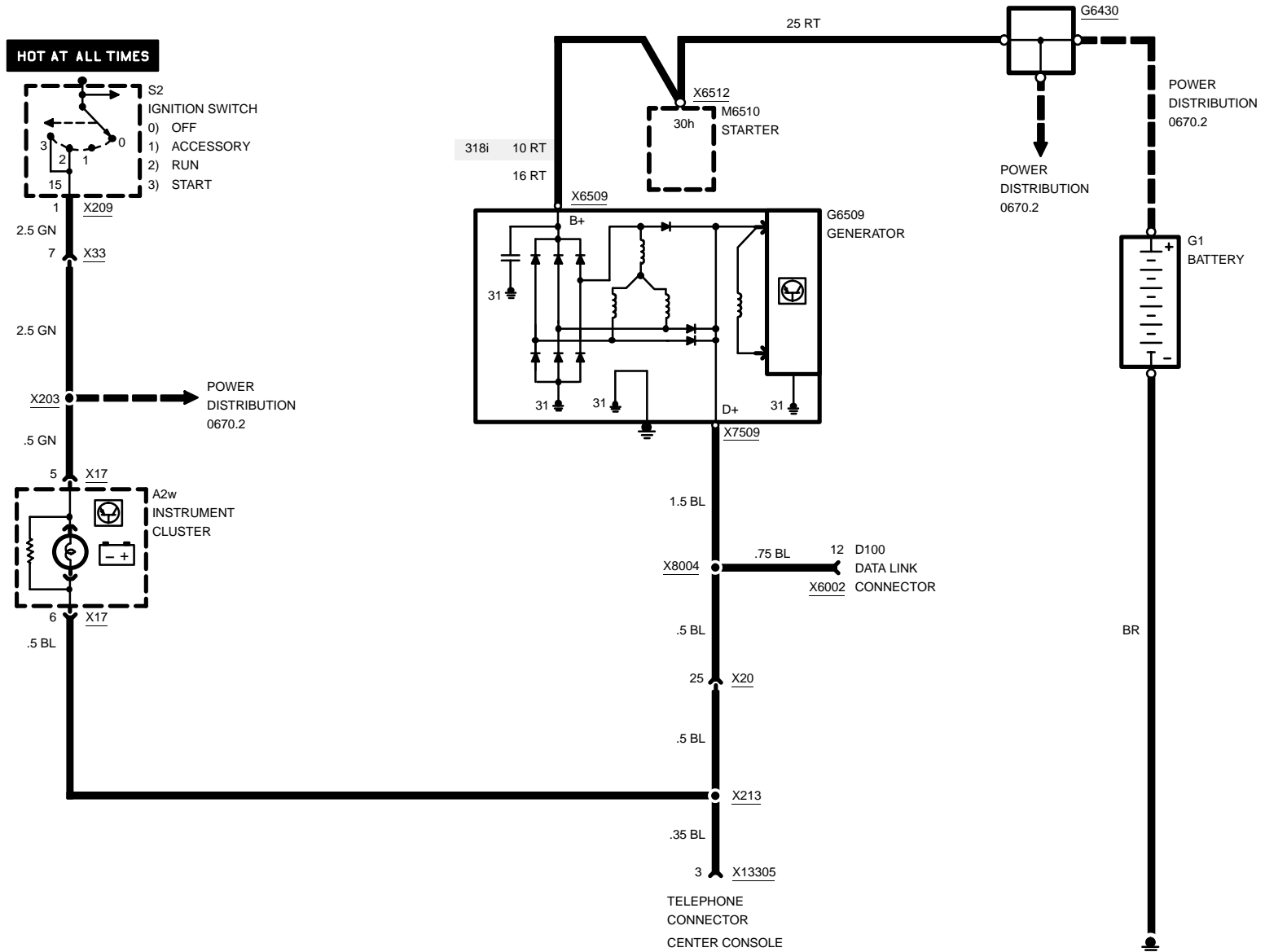


ENGINE CONTROL SYSTEM (DME M5.2, 4-CYLINDER M44)





1230.0 CHARGING SYSTEM



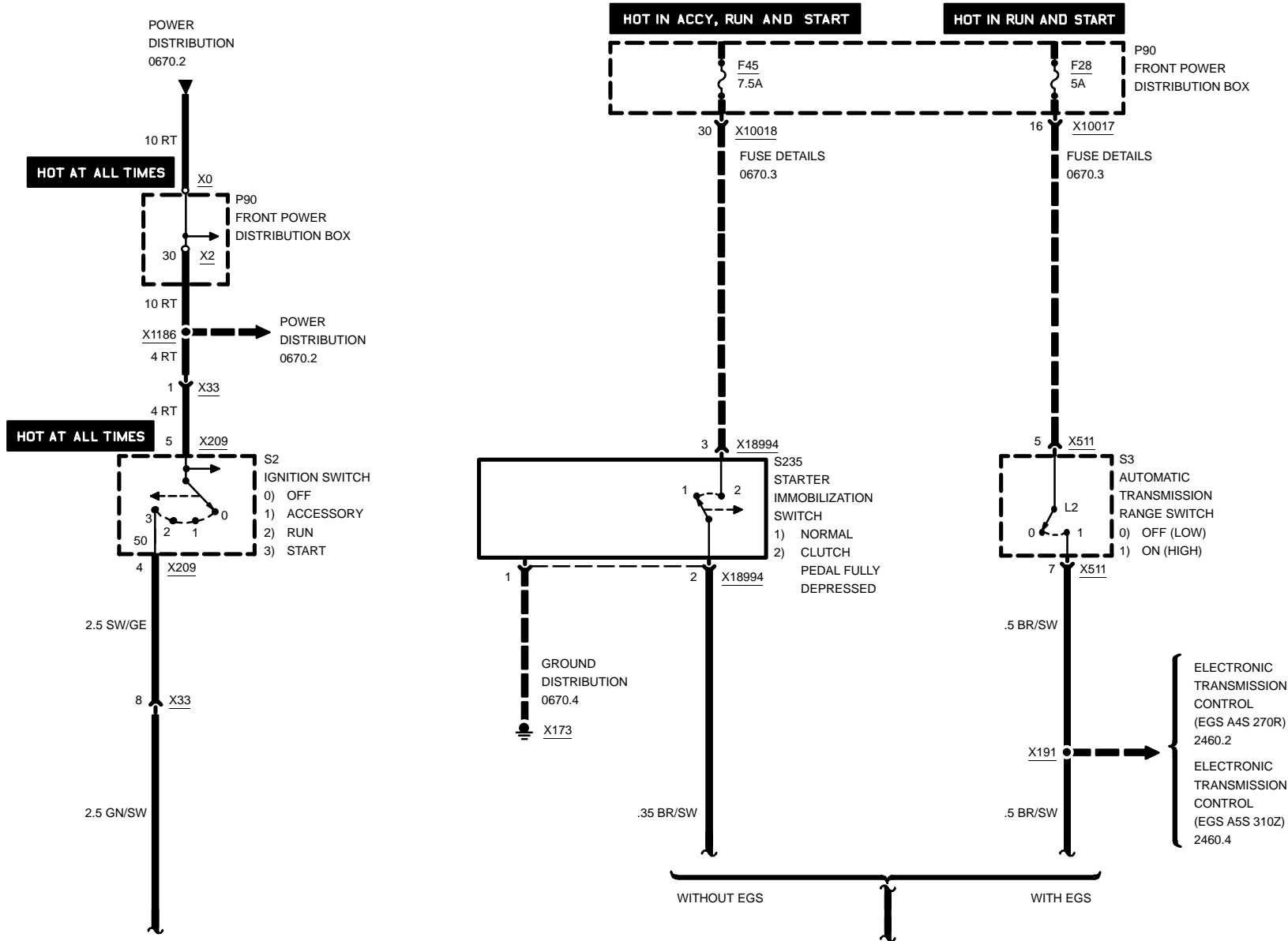
03/00

1230.0-00

1999

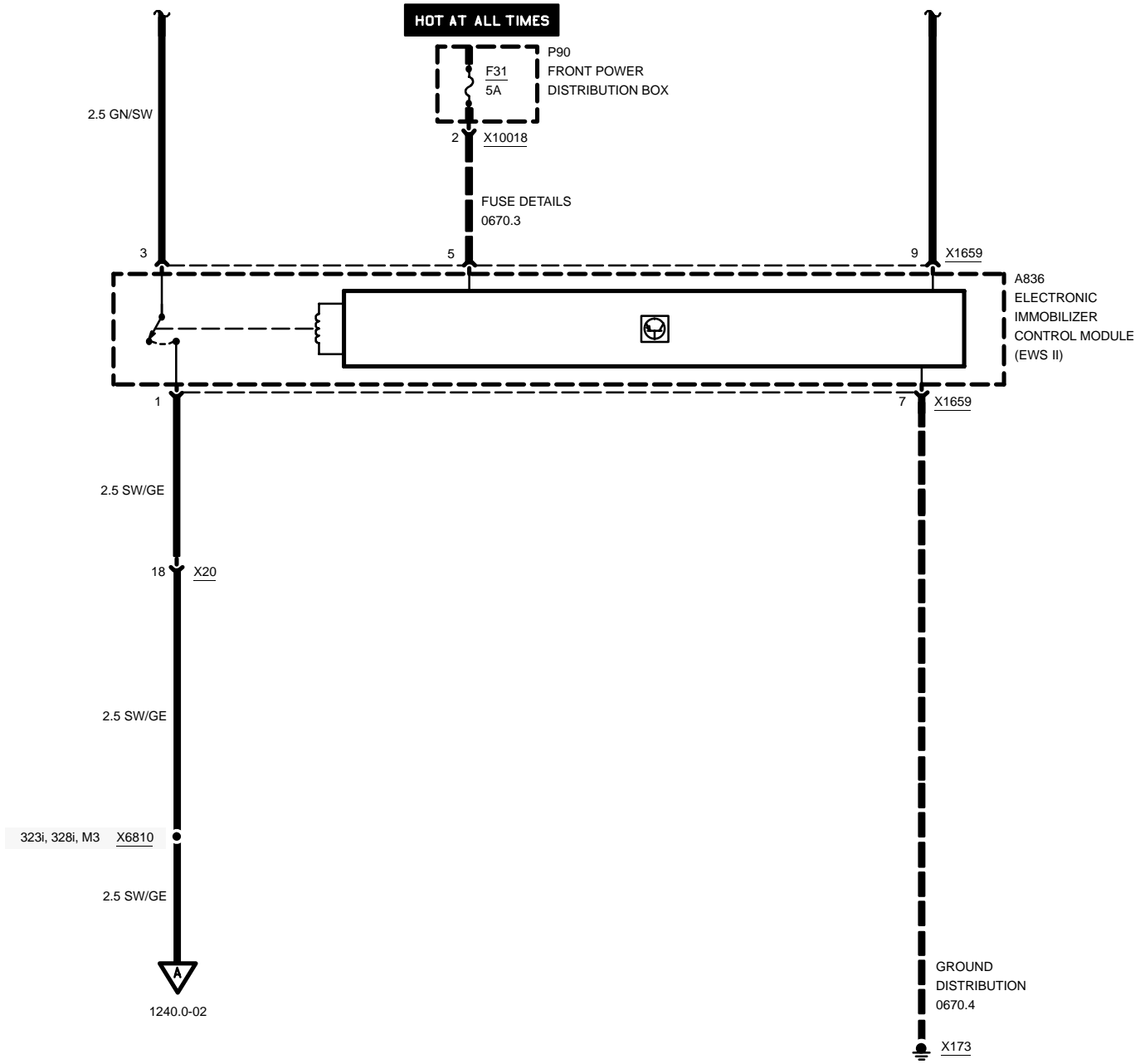


1240.0 START



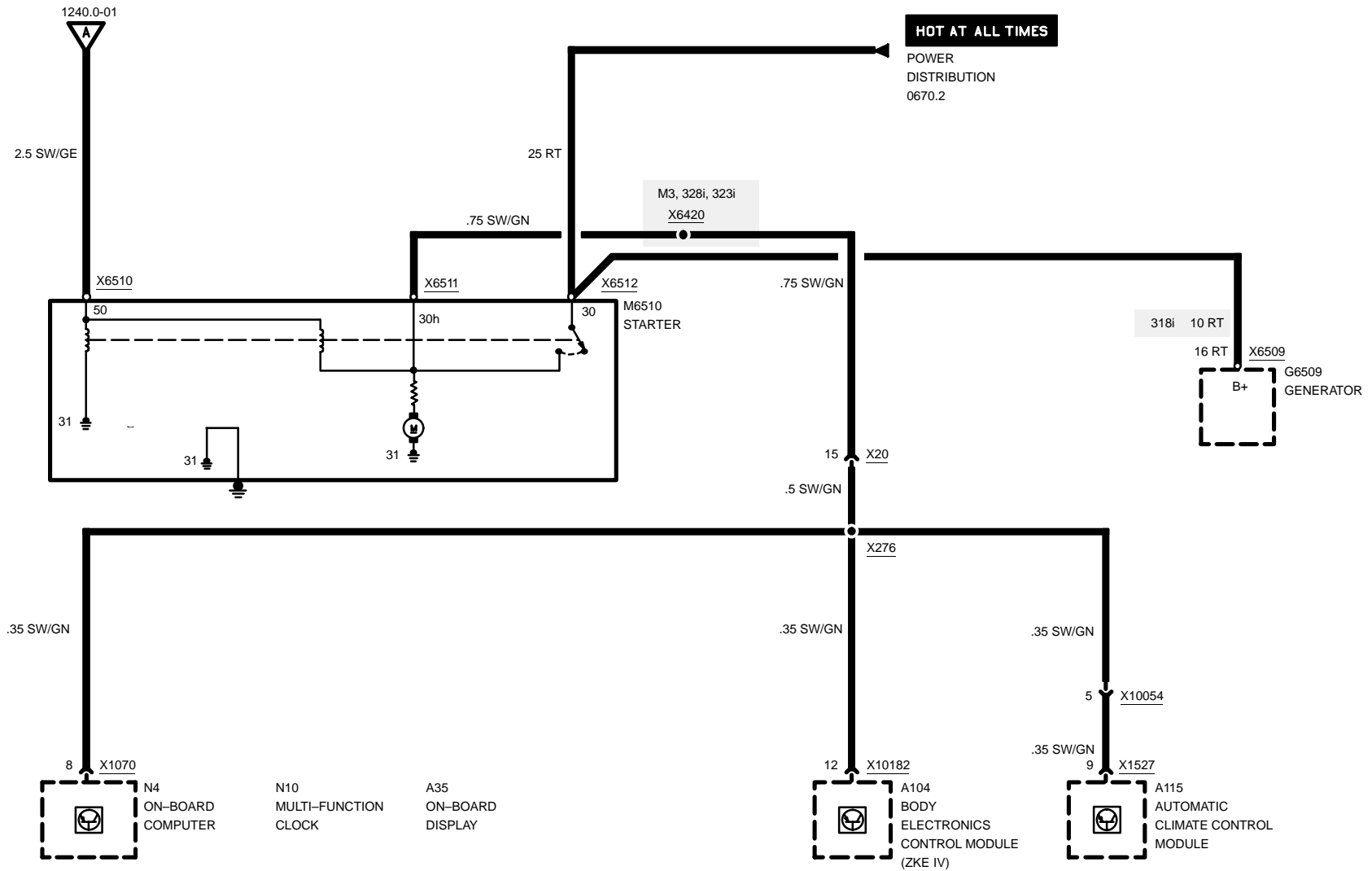
EGS A4S 270R

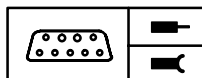
	L1	L2	L3	L4
P	1	1	0	1
R	1	0	0	0
N	1	1	1	0
D	0	0	0	1
3	0	0	1	1
2	1	0	1	1
1	0	0	1	0





START



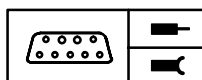


Pin Assignments

X8500

Pin	Type	Description/Function	Connection
177		Not used	
178	A	Shift-lock solenoid control	Shift-lock
179		Not used	
180	A	Band solenoid	Transmission valve unit (318i)
4	A	Solenoid valve 3 control (-)	Transmission valve unit (323i, 328i)
181	A	Hydraulic pressure regulator control (-)	Transmission valve unit
182	M	Ground	Ground point (318i)
183		Not used	
184	E	Gear range signal L2	Automatic transmission range switch
185	E	Gear range signal L4	Automatic transmission range switch
186	E	Brake pedal position	Brake light switch
187		Not used	
188	E	Sport mode signal	Not used
189	E	Manual mode signal	Program switch
190	E	Output speed (-)	Transmission valve unit
191	M	Ground for shield	Shield for speed sensor
192		Not used	
193	A	S-program indication	Not used
194	E	Kick-down signal	Kick-down switch
195	E	ASC signal	ASC-module (323i, 328i)
196	E	Automatic mode signal	Program switch
197	E	Oil temperature signal (-)	Transmission valve unit
198	E	Oil temperature signal (+)	Transmission valve unit
199		Not used	
200		Not used	
201	A	Fault indicator signal	Instrument cluster
202	E	Battery voltage	B+ jump start junction point
203	A	M-program indication	Program switch
204	M	Ground	Ground point
205		Not used	

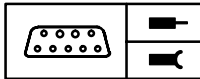
E = Input, A = Output, M = Ground



Pin Assignments

Pin	Type	Description/Function	Connection
206	A	Solenoid valve 1 control (-)	Transmission valve unit
207		Not used	
208	A	Torque converter clutch solenoid valve control (-)	Transmission valve unit
209	A	Solenoid valve 2 control (-)	Transmission valve unit
210	M	Ground	Ground point
211		Not used	
212	E	Gear range signal L1	Automatic transmission range switch
213	E	Gear range signal L3	Automatic transmission range switch
214		Not used	
215		Not used	
216	E	RPM speed signal TD	Engine control module (318i)
217		Not used	
218	E	Output speed (+)	Transmission valve unit
219		Not used	
220		Not used	
221	A	A-program indication	Program switch
222	E	A/C compressor-ON-signal	Engine control module (318i)
223		Not used	
224	E	Brake switch test signal	Brake light switch
225		Not used	
226		Not used	
227		Not used	
228	A	Voltage supply	Shift-lock/Transmission valve unit (318i)
52	A	Voltage supply	Shift-lock (323i, 328i)
229	E	Voltage pressure regulator	Transmission valve unit
230	E	Voltage supply terminal 87	Engine control module relay
231	E	Voltage supply terminal 87	Engine control module relay (318i)
232		Not used	
233	E	Cruise control signal	Cruise control module
234		Not used	
235		Not used	

E = Input, A = Output, M = Ground



Pin Assignments

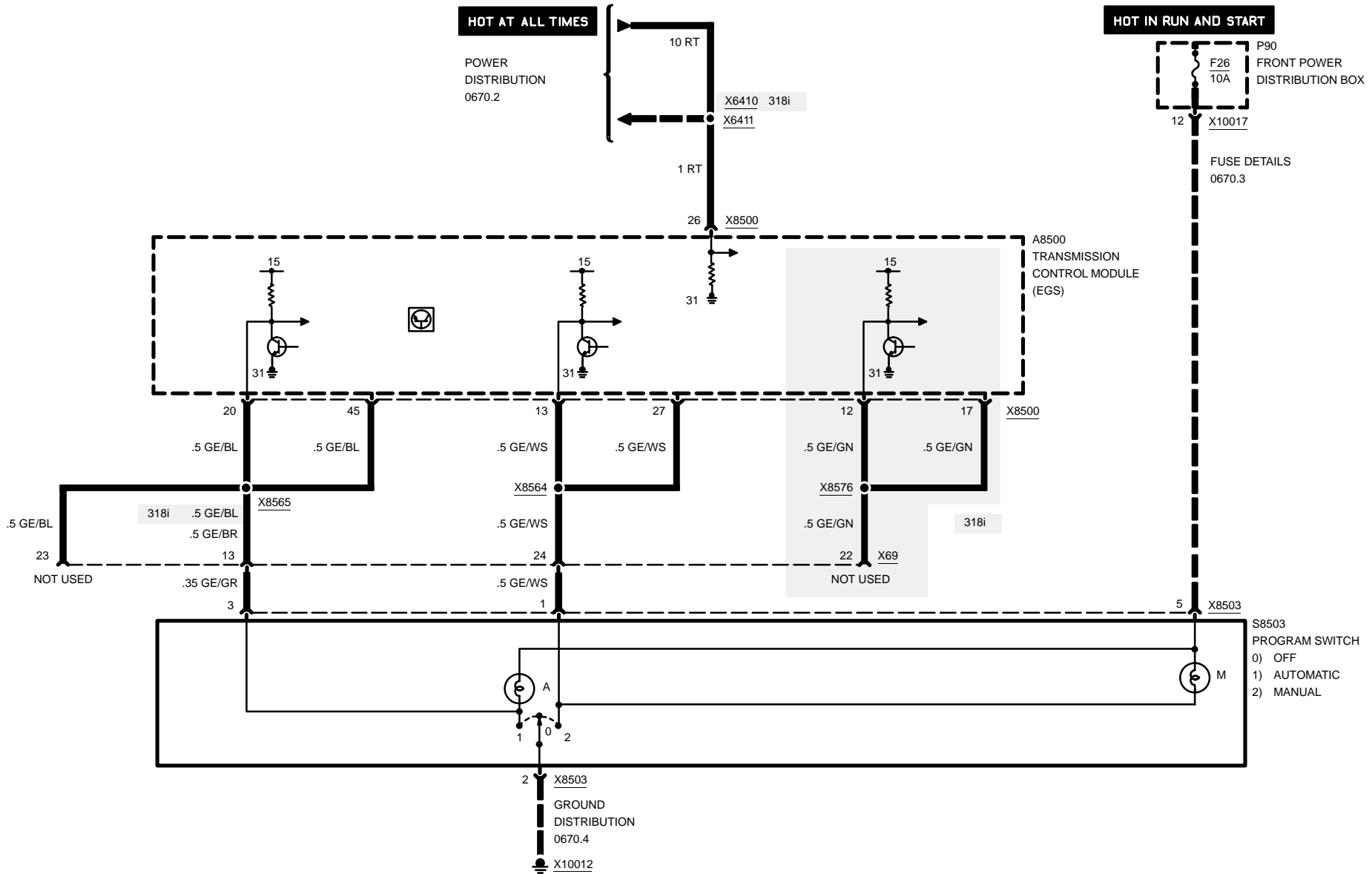
Pin	Type	Description/Function	Connection
236	E	Programming voltage	Data link connector
237		Not used	
238		Not used	
239		Not used	
240		Not used	
241		Not used	
242		Not used	
243		Not used	
244		Not used	
245		Not used	
246		Not used	
247		Not used	
248		Not used	
249		Not used	
250		Not used	
251		Not used	
252		Not used	
253		Not used	
254		Not used	
255		Not used	
256		Not used	
257		Not used	
258	E/A	Jumper plug	(323i, 328i)
259	E/A	Jumper plug	(323i, 328i)
260		Not used	
261	E/A	Can-Low	Engine control module
262	E/A	Can-High	Engine control module
263	A	RxD diagnostic data link	Data link connector (318i)
264	E/A	TxD diagnostic data link	Data link connector

E = Input, A = Output, M = Ground



ELECTRONIC TRANSMISSION CONTROL (EGS A4S 270R)

POWER, PROGRAM SWITCH

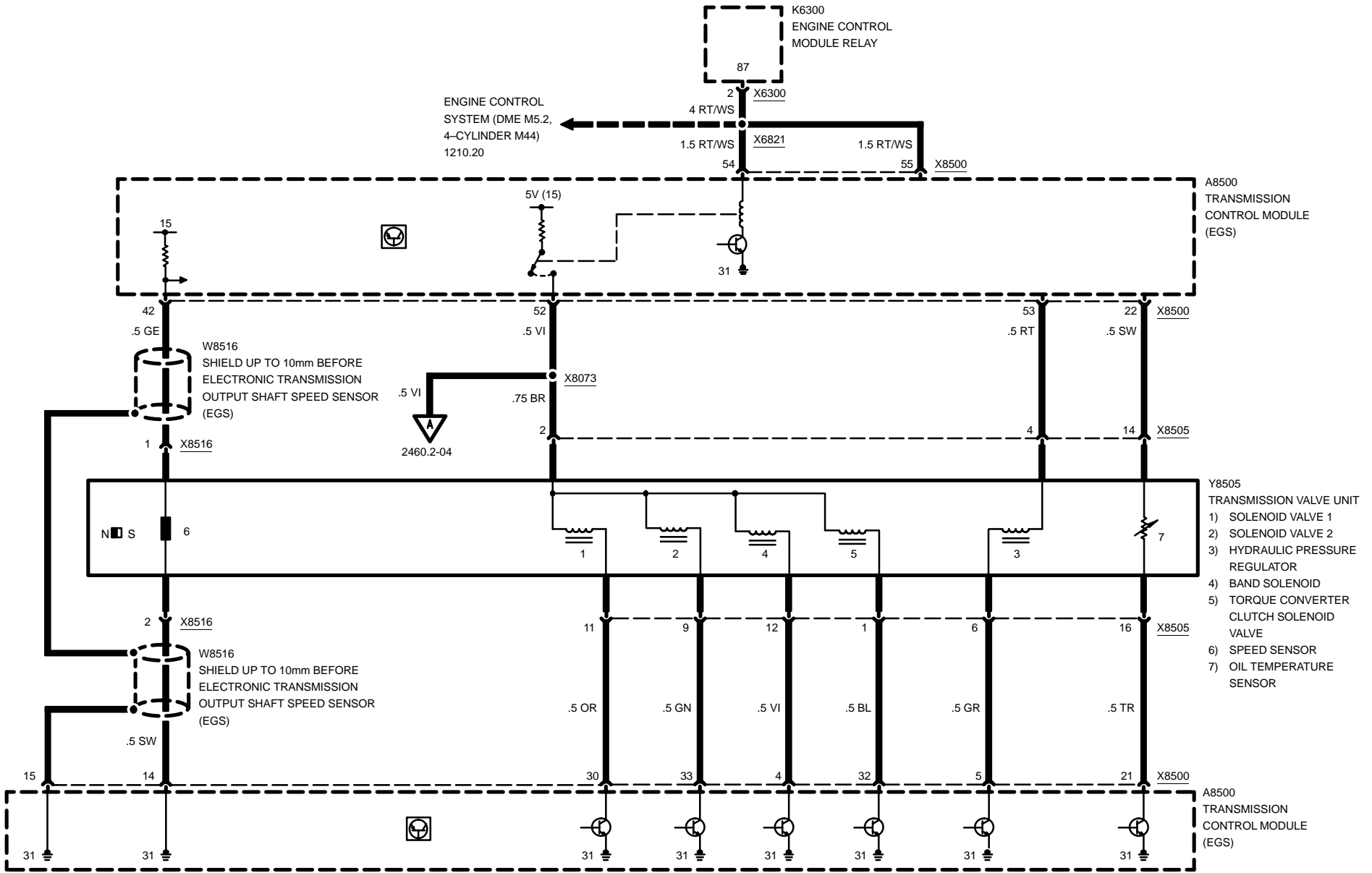




ELECTRONIC TRANSMISSION CONTROL (EGS A4S 270R)

318i

POWER



03/00

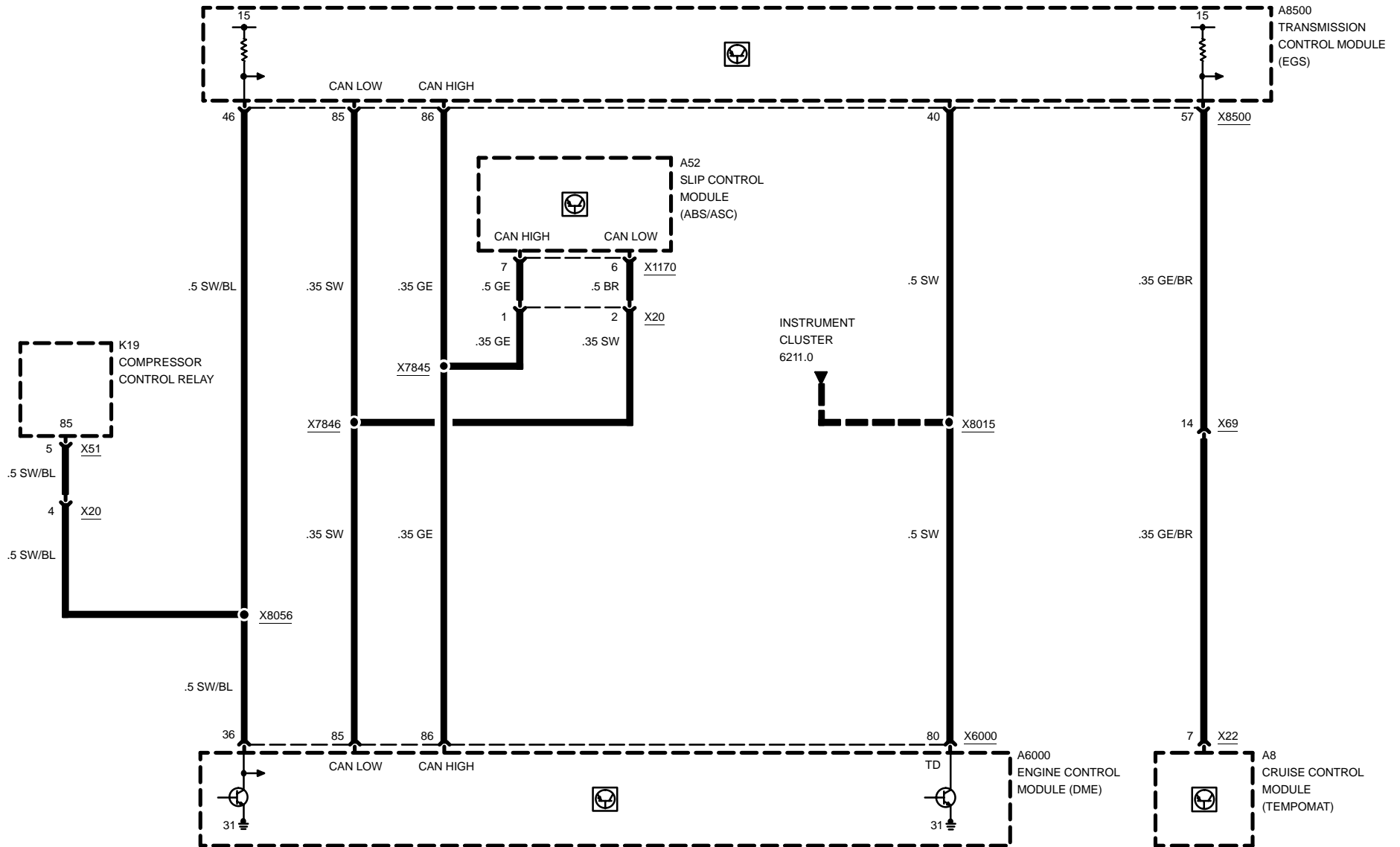
2460.2-01

1999



ELECTRONIC TRANSMISSION CONTROL (EGS A4S 270R)

318i



03/00

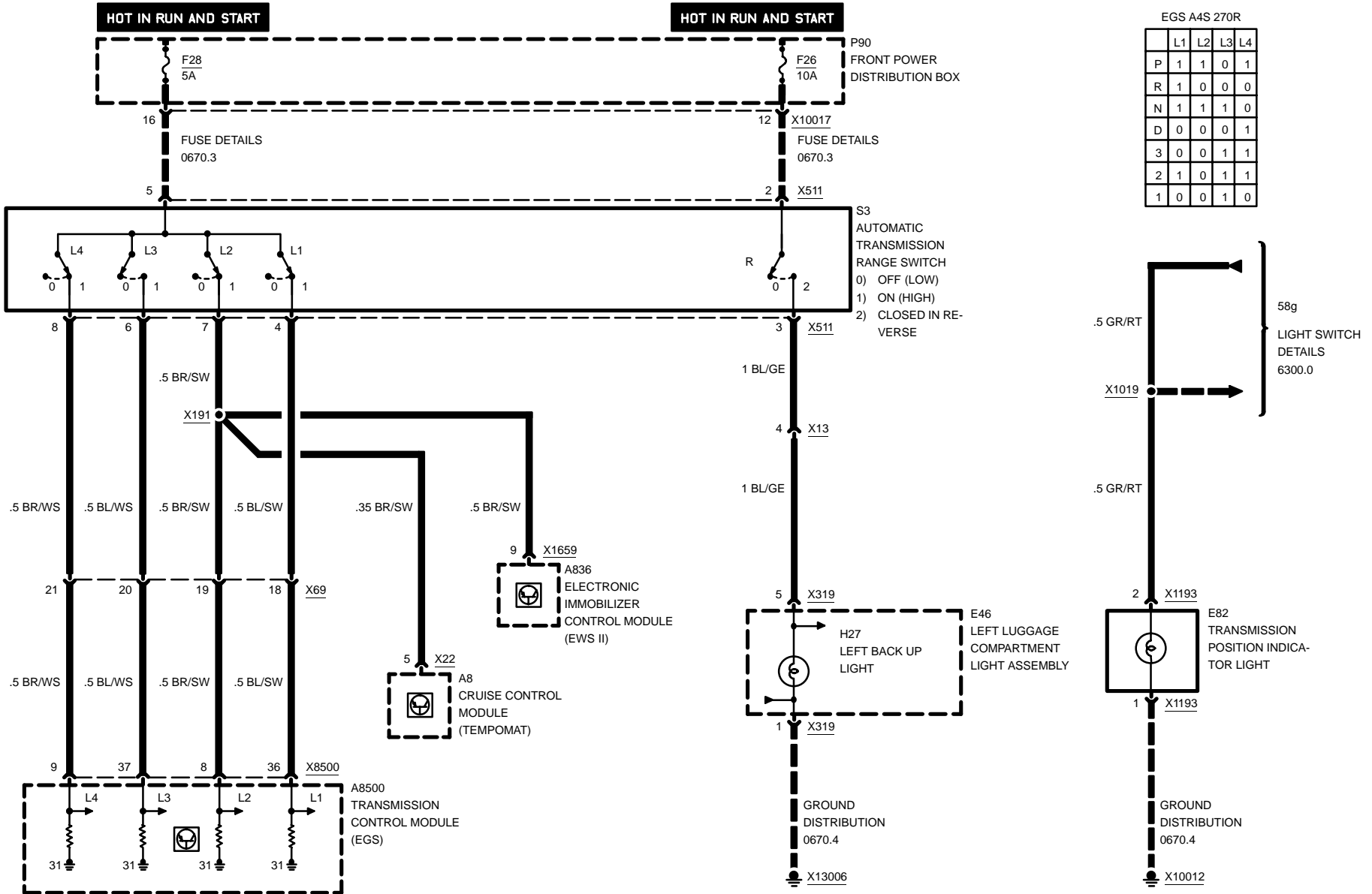
2460.2-02

1999



ELECTRONIC TRANSMISSION CONTROL (EGS A4S 270R)

GEAR SELECTOR SWITCH

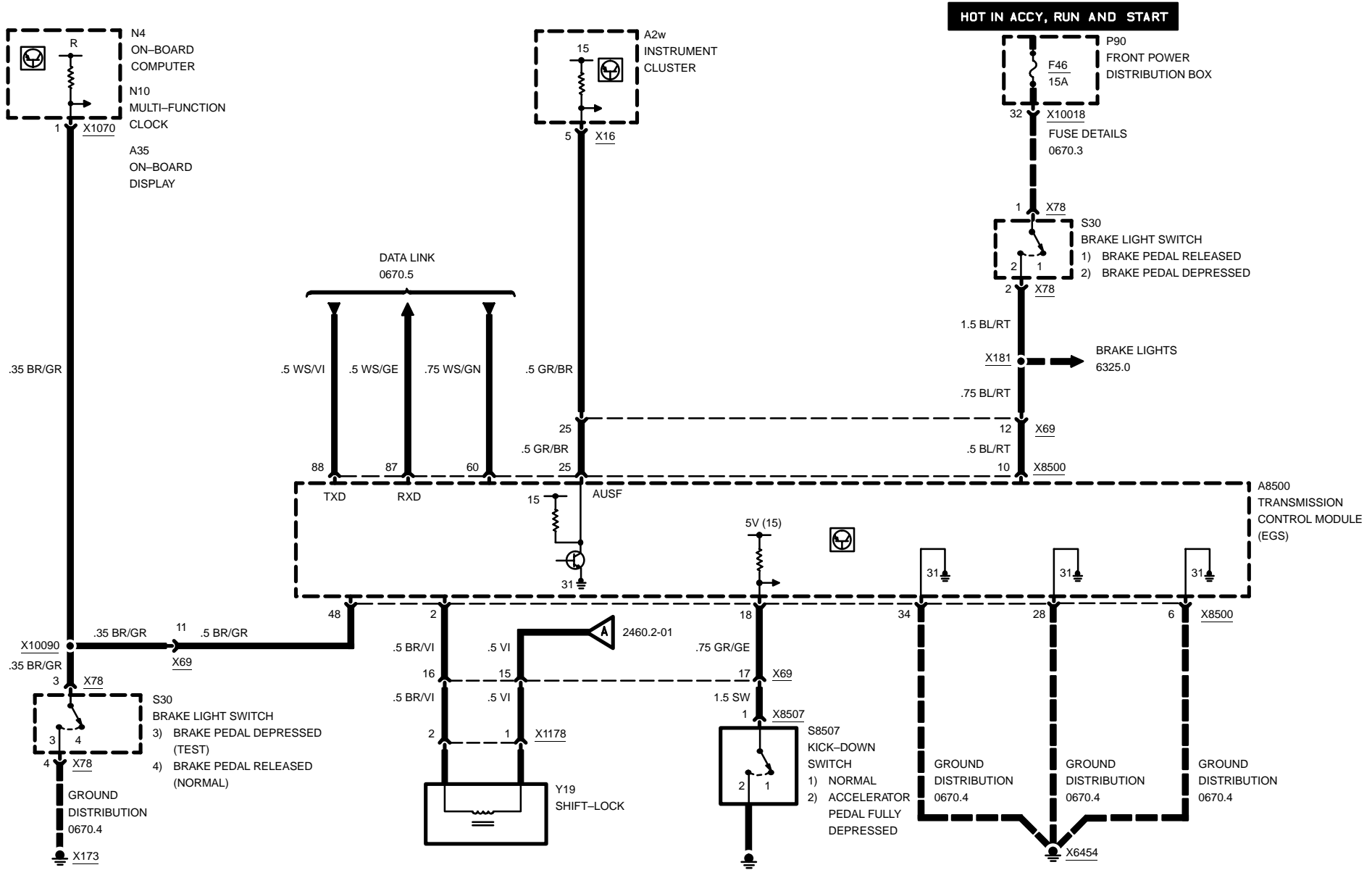




ELECTRONIC TRANSMISSION CONTROL (EGS A4S 270R)

318i

SHIFT LOCK, DATA LINK, KICK-DOWN SWITCH



03/00

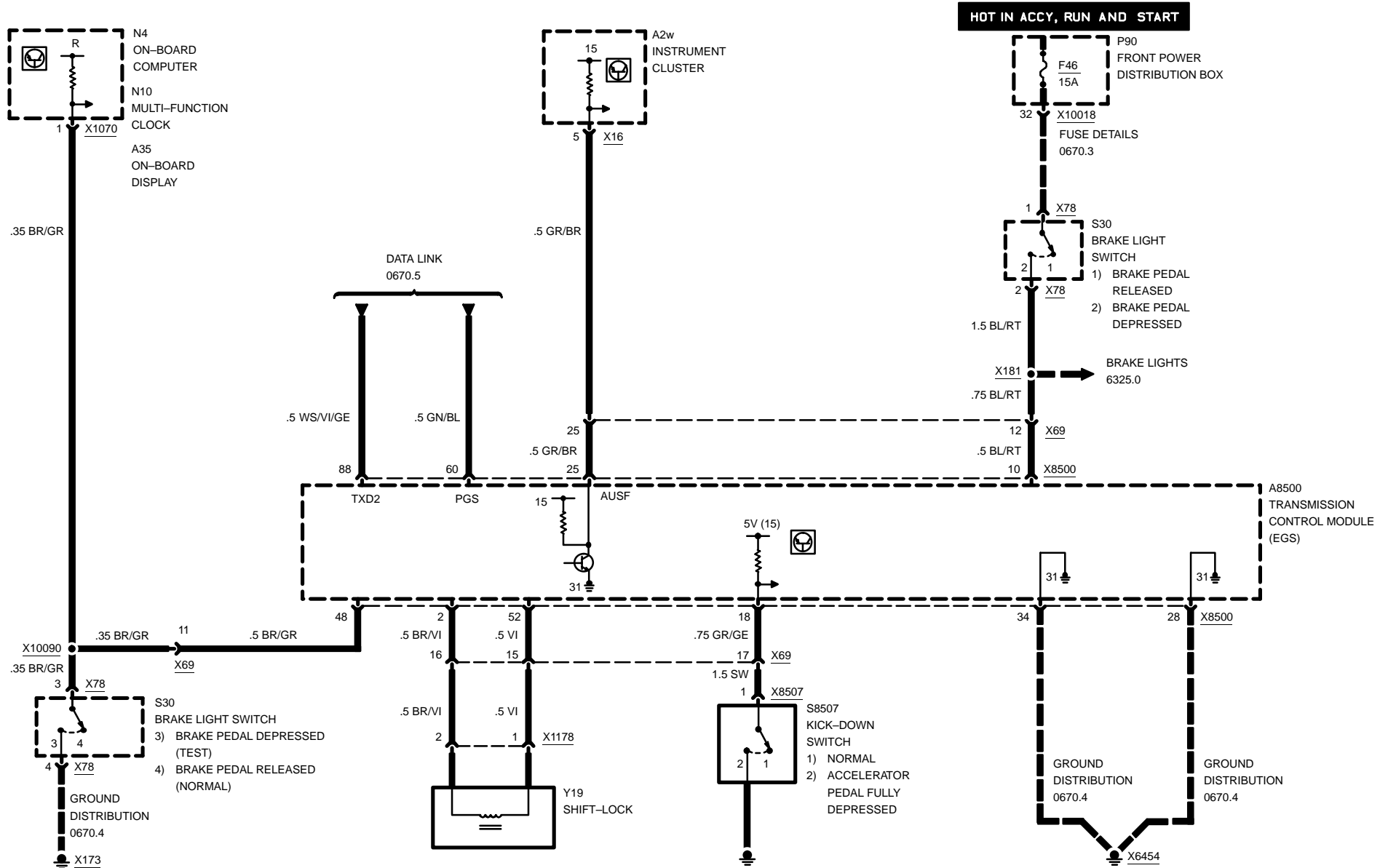
2460.2-04

1999



ELECTRONIC TRANSMISSION CONTROL (EGS A4S 270R) 323i, 328i

SHIFT LOCK, DATA LINK, KICK-DOWN SWITCH



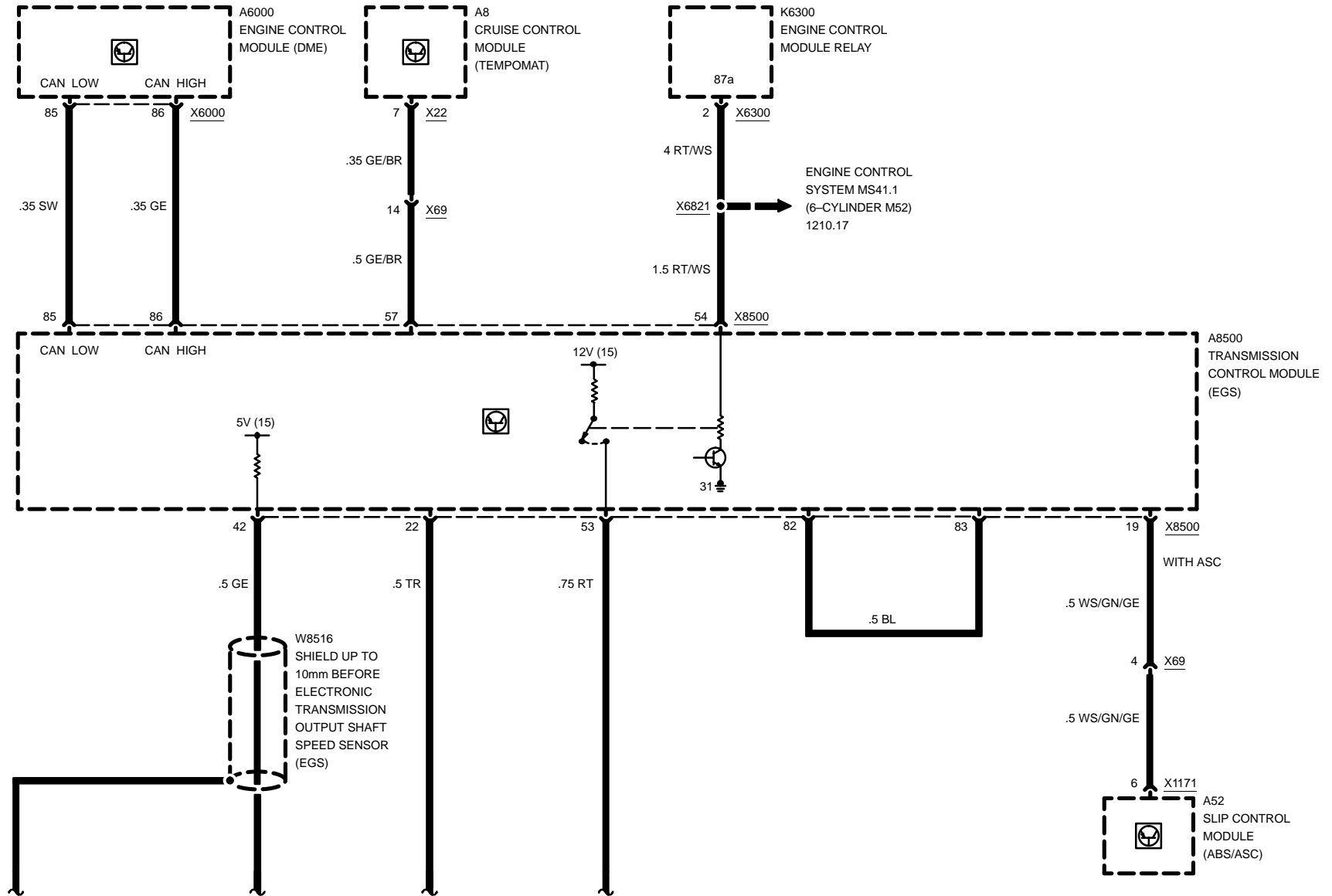
03/00

2460.2-05

1999



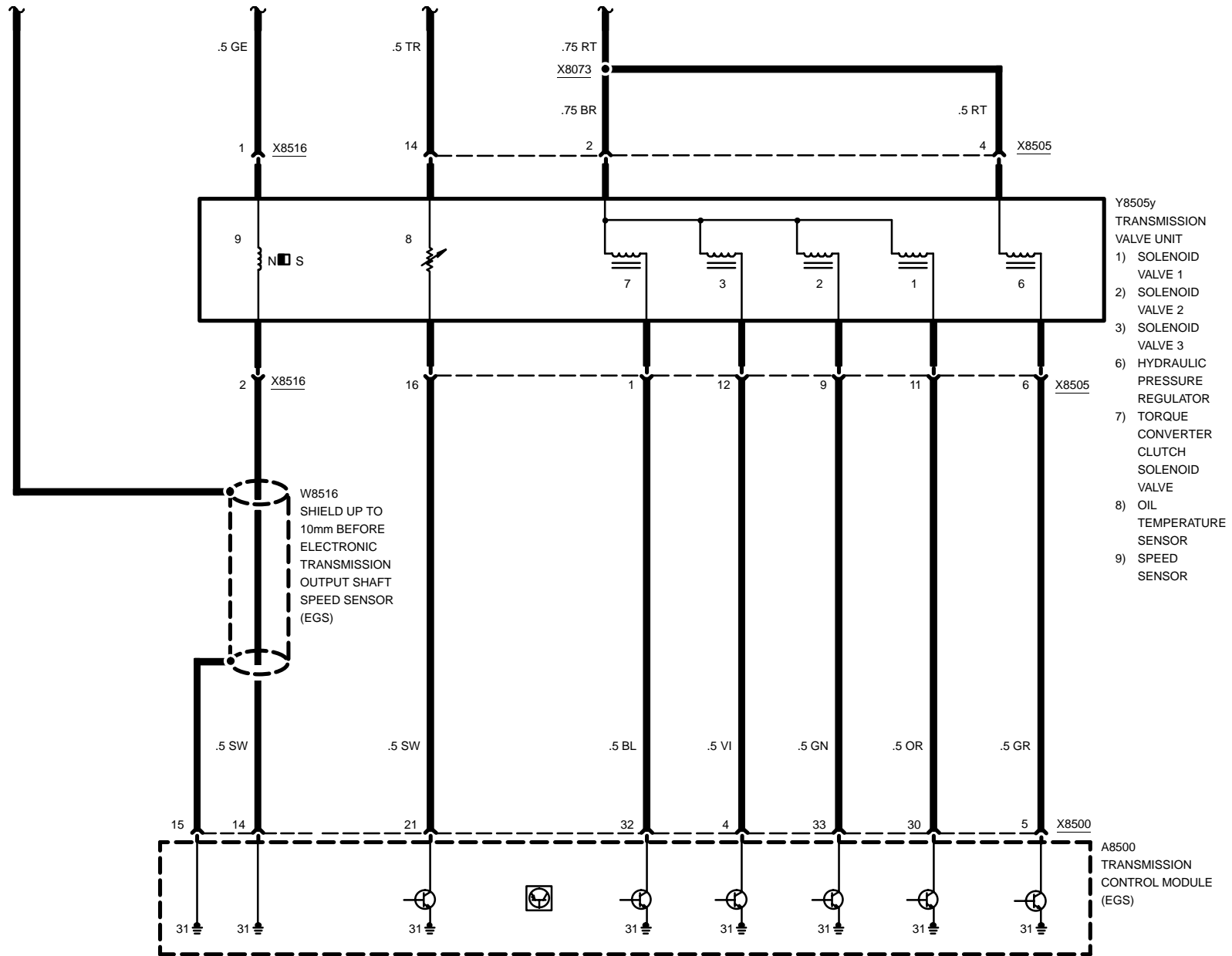
ELECTRONIC TRANSMISSION CONTROL (EGS A4S 270R) 323i, 328i

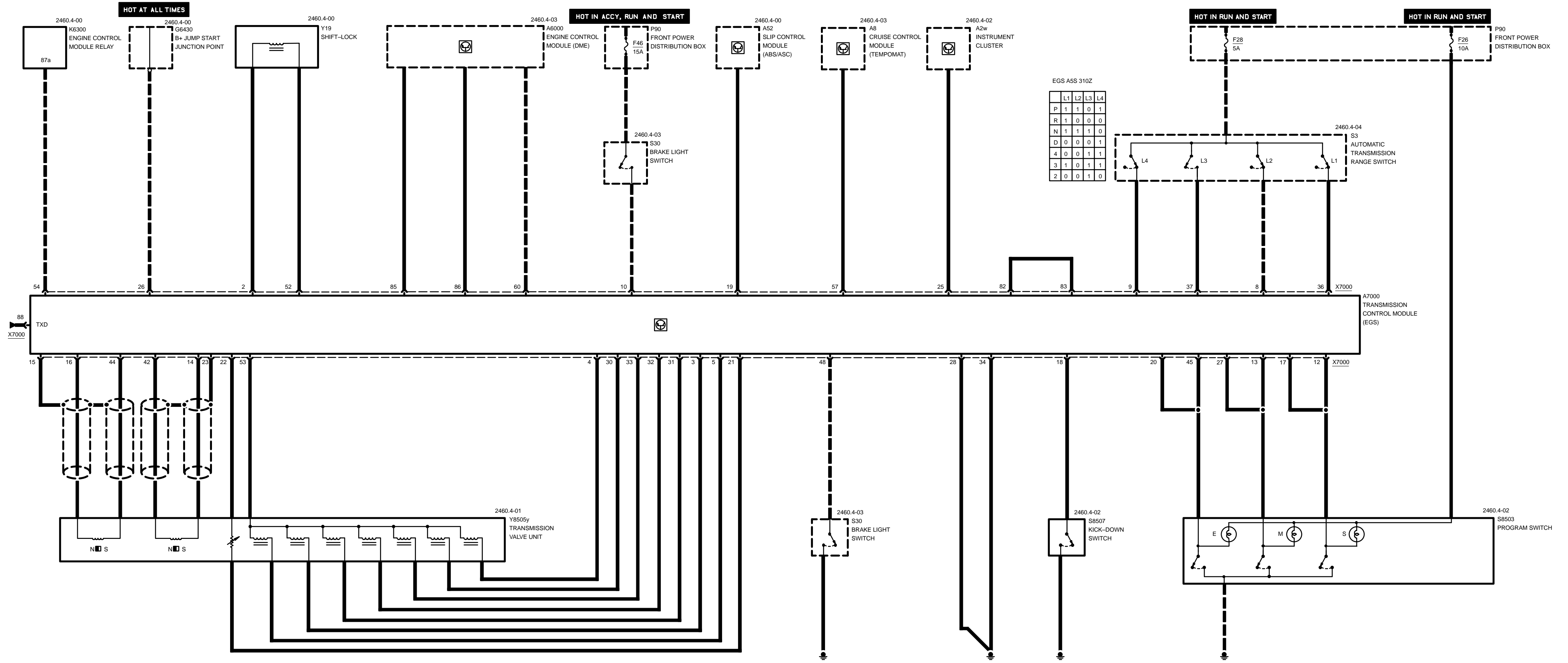


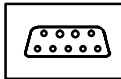
03/00

2460.2-06

1999





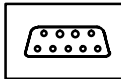


Pin Assignments

X7000

Pin	Type	Description/Function	Connection
1		Not used	
2	A	Shift-lock	Shift-lock
3	A	Solenoid valve 5	Transmission valve unit
4	A	Torque converter clutch solenoid valve	Transmission valve unit
5	A	Hydraulic pressure regulator	Transmission valve unit
6		Not used	
7		Not used	
8		Gear range signal L2	Automatic transmission range switch
9		Gear range signal L4	Automatic transmission range switch
10	E	Brake pedal position	Brake light switch
11		Not used	
12	E	S-program indication	Program switch
13	E	M-program indication	Program switch
14	E	Speed sensor	Transmission valve unit
15	M	Shield speed sensor	Shield
16	A	Speed sensor n-turbine	Transmission valve unit
17	E	S-program	Program switch
18	E	Kick-down signal	Kick-down switch
19	E	ASC signal	ASC module
20	E	E-program	Program switch
21	M	Ground oil temperature sensor	Transmission valve unit
22	E	Oil temperature sensor	Transmission valve unit
23	M	Shield speed sensor	Shield
24		Not used	
25	A	Fault indicator signal	Instrument cluster
26	E	Battery voltage	Jump start junction point
27	E	M-program	Program switch
28	M	Ground, electronics	Ground point
29		Not used	
30	A	Solenoid valve 1	Transmission valve unit

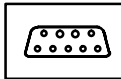
E = Input, A = Output, M = Ground



Pin Assignments

Pin	Type	Description/Function	Connection
31	A	Solenoid valve 4	Transmission valve unit
32	A	Solenoid valve 3	Transmission valve unit
33	A	Solenoid valve 2	Transmission valve unit
34	M	Ground	Ground point
35		Not used	
36	E	Gear range signal L1	Automatic transmission range switch
37	E	Gear range signal L3	Automatic transmission range switch
38		Not used	
39		Not used	
40		Not used	
41		Not used	
42	A	Speed sensor n ab (+)	Transmission valve unit
43		Not used	
44	E	Speed sensor n-turbine	Transmission valve unit
45	E	E-program indication	Program switch
46		Not used	
47		Not used	
48	E	Brake switch test signal	Brake light switch
49		Not used	
50		Not used	
51		Not used	
52	A	Voltage supply	Shift-lock
53	A	Voltage supply for solenoid valves	Transmission valve unit
54	E	Voltage supply	DME relay
55		Not used	
56		Not used	
57	E	Cruise control signal	Cruise control module
58		Not used	
59		Not used	
60	E	Programming voltage	Data link connector
61		Not used	
62		Not used	

E = Input, A = Output, M = Ground



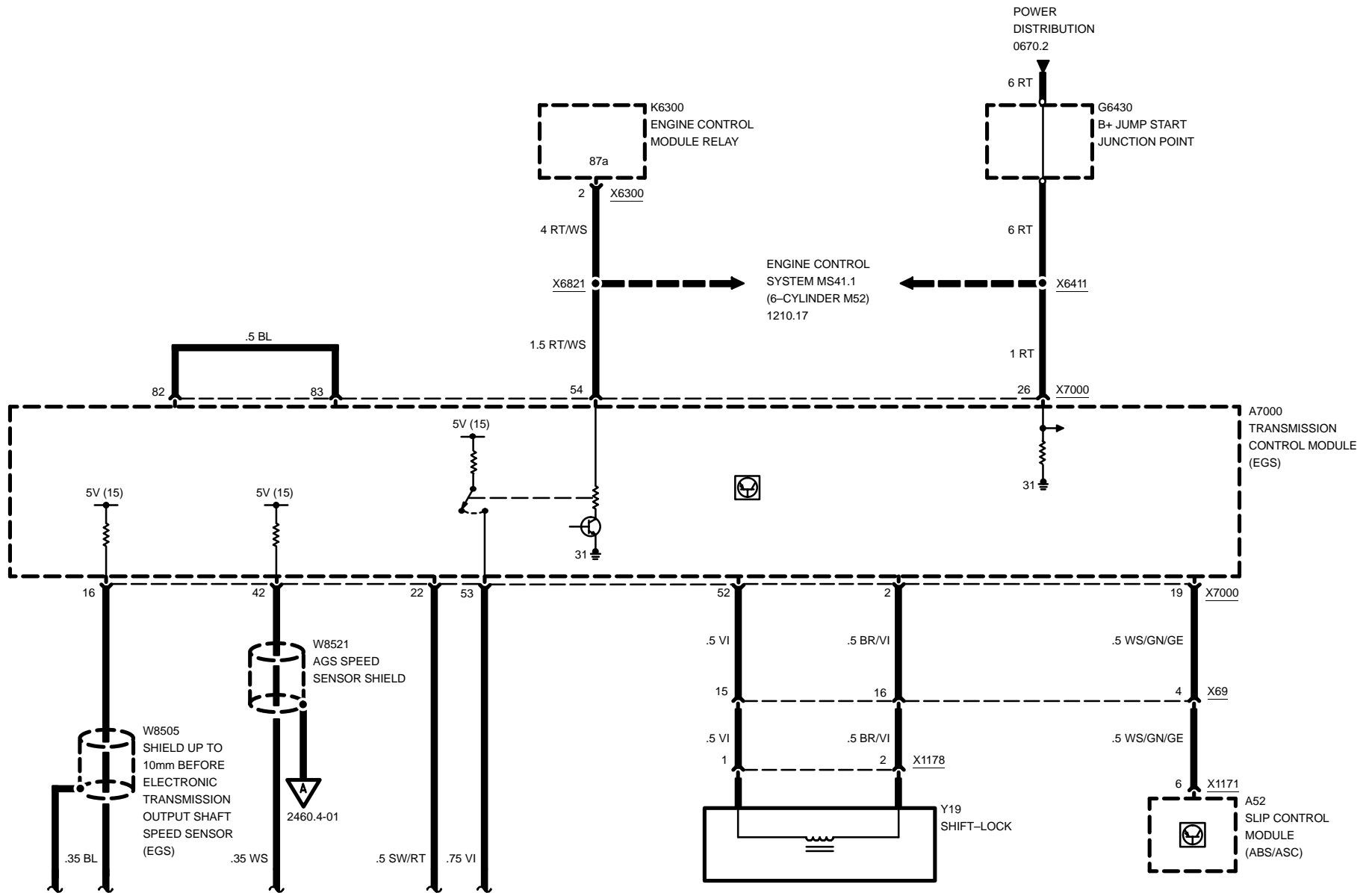
Pin Assignments

Pin	Type	Description/Function	Connection
63		Not used	
64		Not used	
65		Not used	
66		Not used	
67		Not used	
68		Not used	
69		Not used	
70		Not used	
71		Not used	
72		Not used	
73		Not used	
74		Not used	
75		Not used	
76		Not used	
77		Not used	
78		Not used	
79		Not used	
80		Not used	
81		Not used	
82	E/A	Jumper plug	
83	E/A	Jumper plug	
84		Not used	
85	E/A	CAN-LOW	Engine control module
86	E/A	CAN-HIGH	Engine control module
87		Not used	
88	E/A	TxD diagnostic data link	Data link connector

E = Input, A = Output, M = Ground



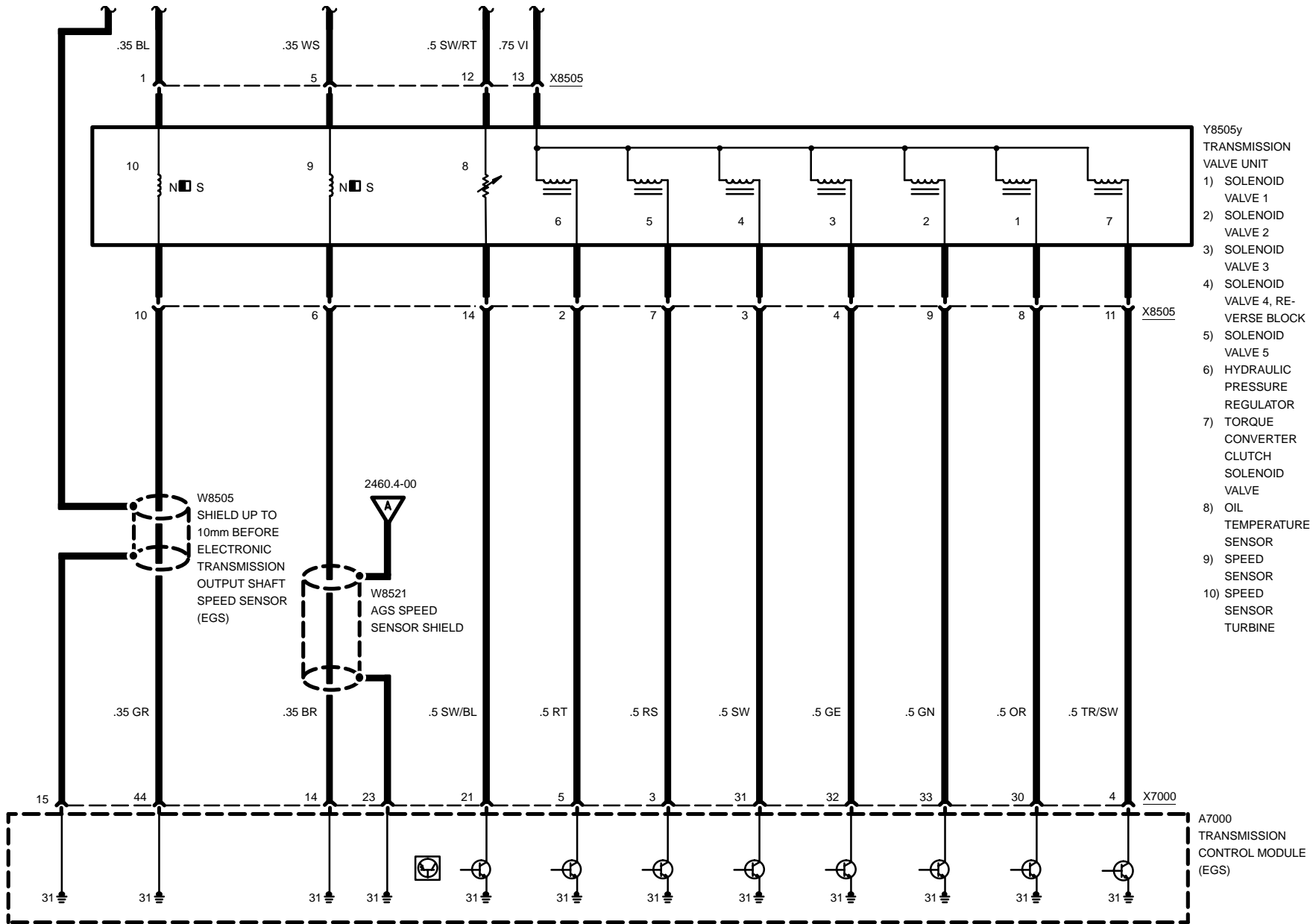
ELECTRONIC TRANSMISSION CONTROL (EGS A5S 310Z)



03/00

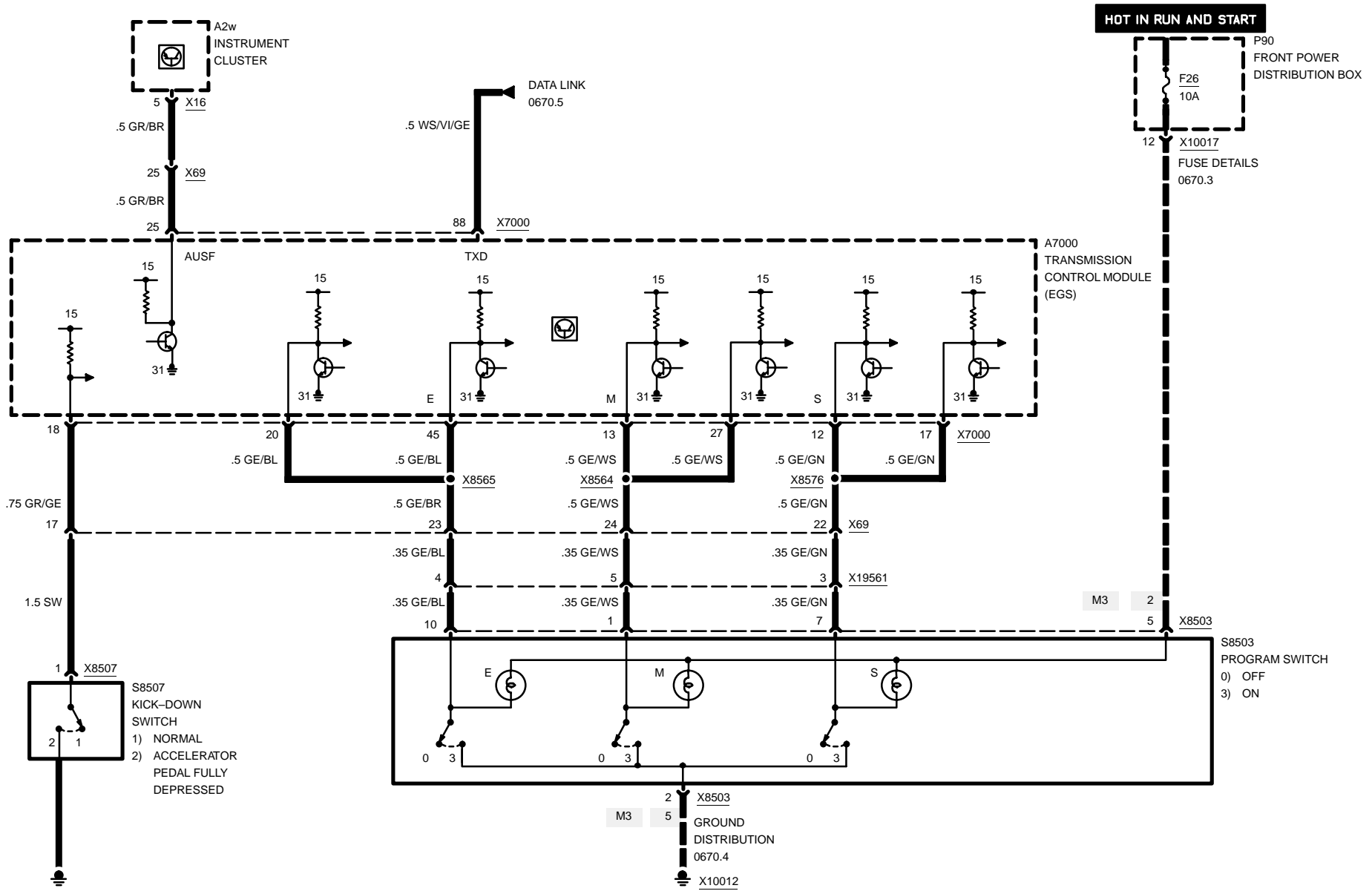
2460.4-00

1999





ELECTRONIC TRANSMISSION CONTROL (EGS A5S 310Z)



03/00

2460.4-02

1999

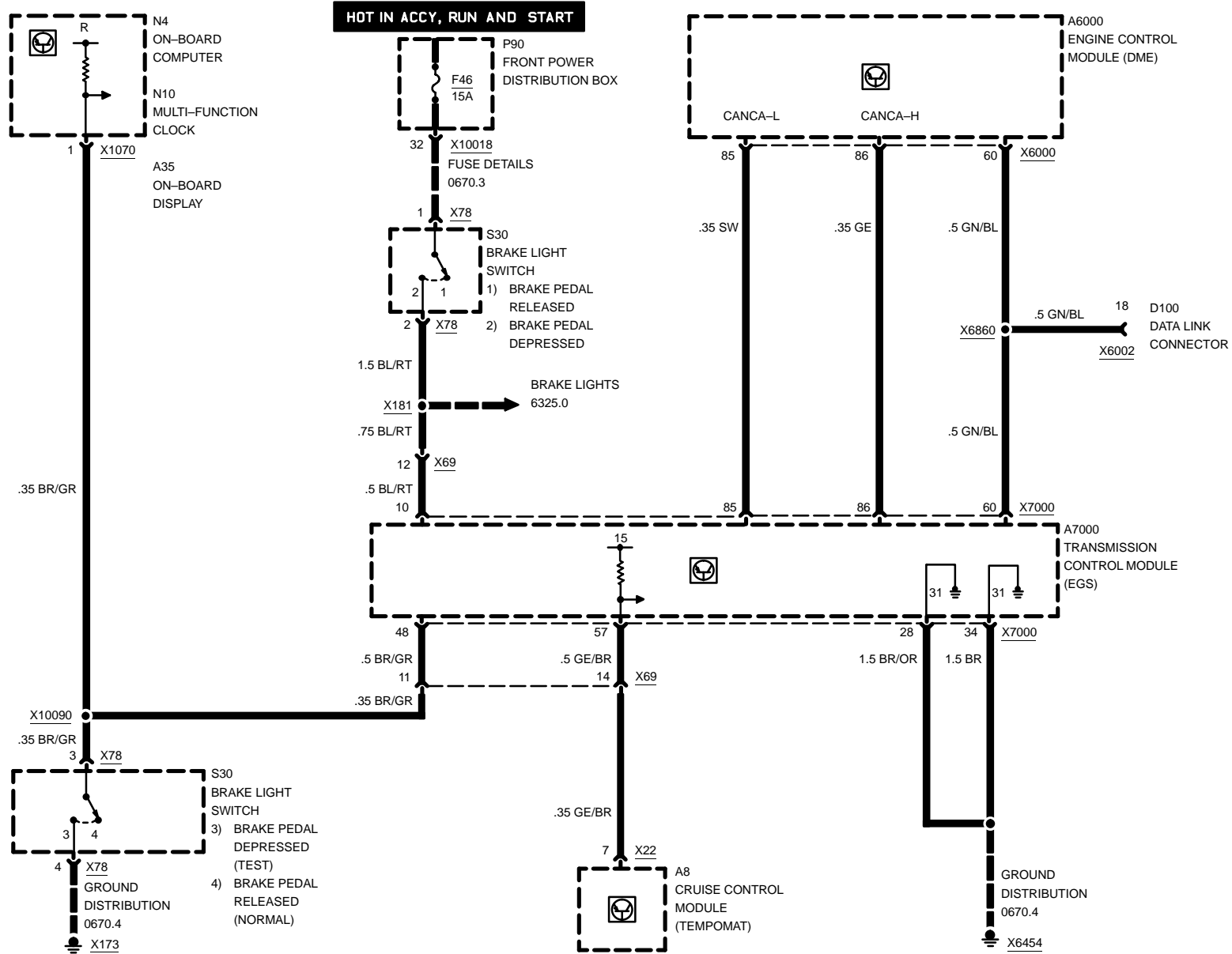


ELECTRONIC TRANSMISSION CONTROL (EGS A5S 310Z)

03/00

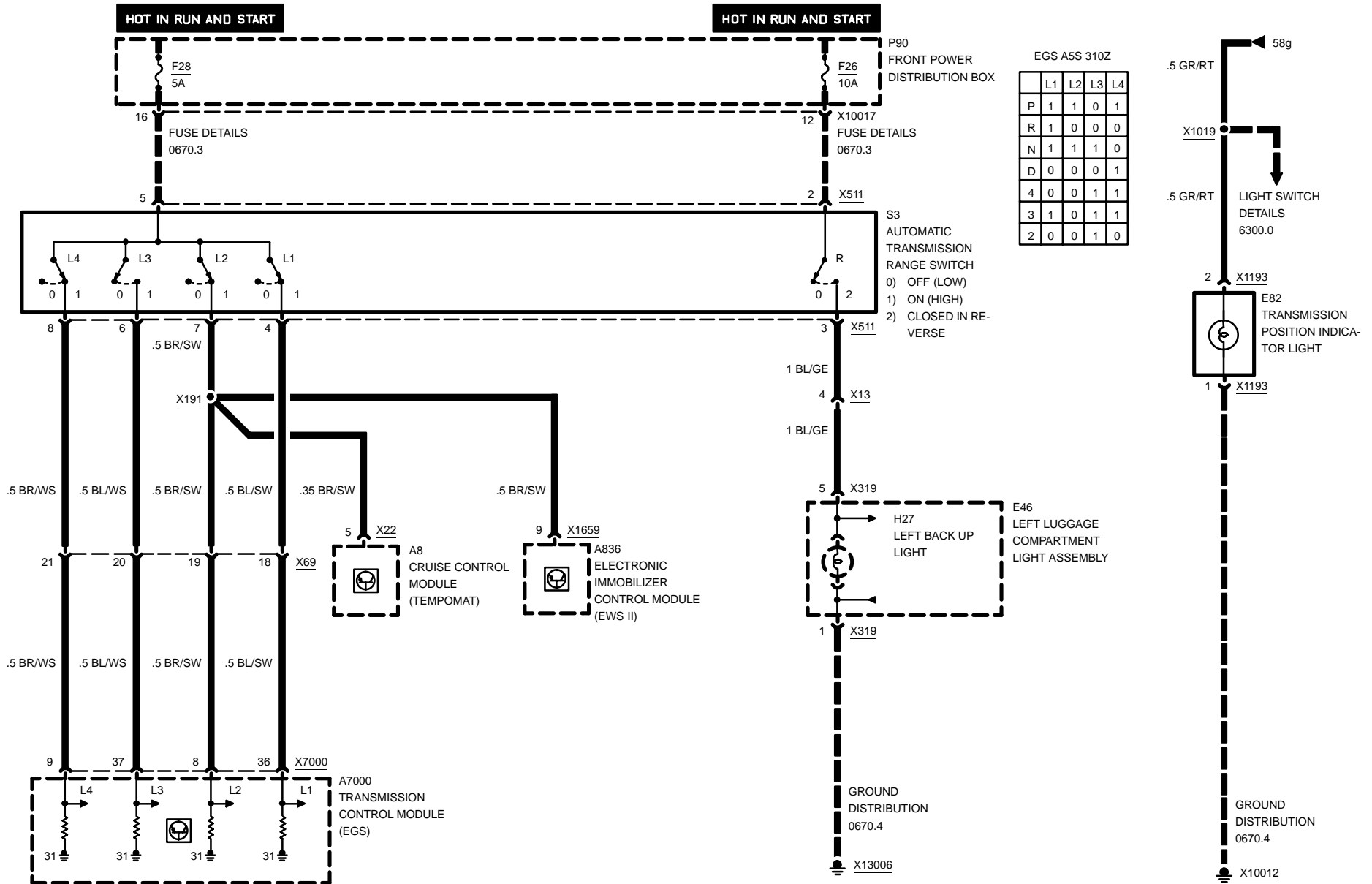
2460.4-03

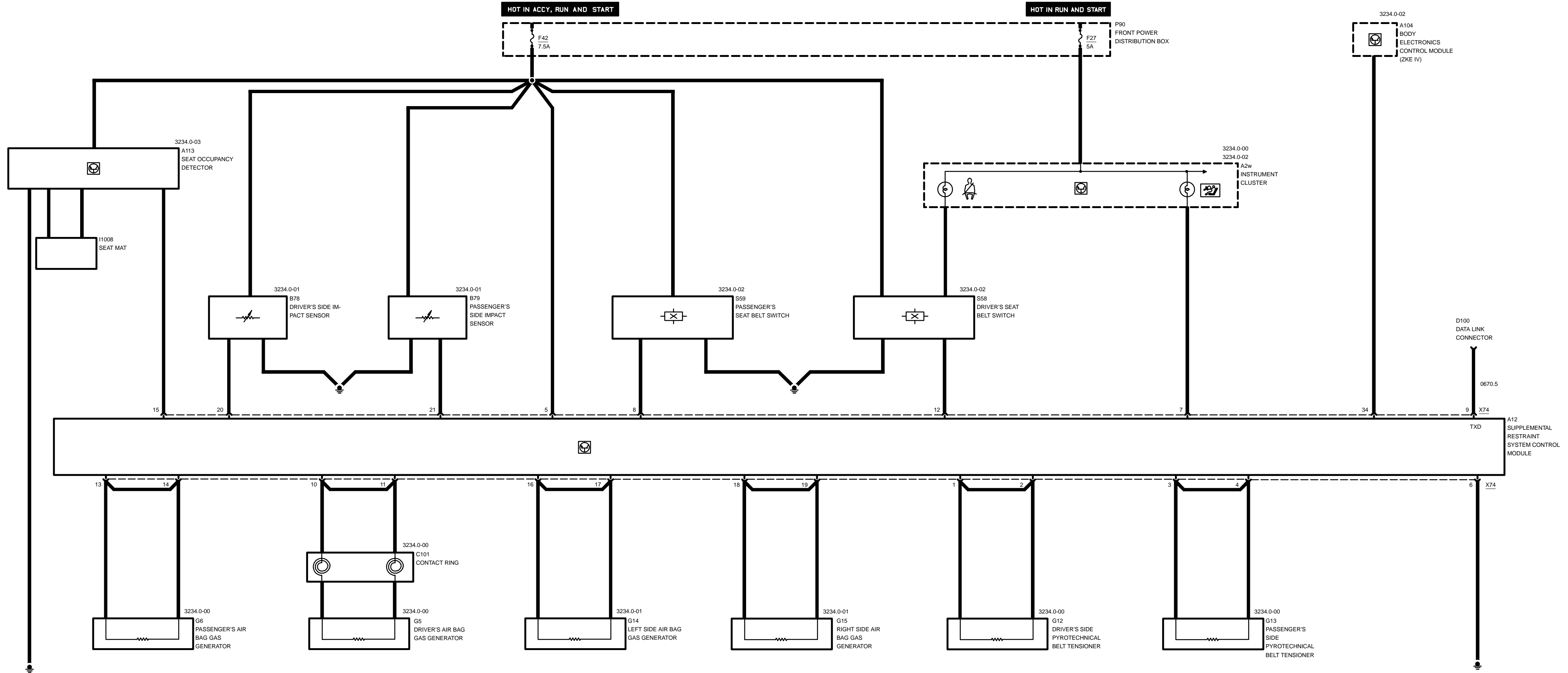
1999

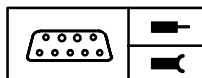




ELECTRONIC TRANSMISSION CONTROL (EGS A5S 310Z)





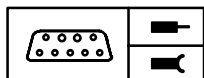


Pin Assignments

X74

Pin	Type	Description/Function	Connection
1	A	Pyrotechnical belt tensioner	Driver's side pyrotechnical belt tensioner
2	A	Pyrotechnical belt tensioner	Driver's side pyrotechnical belt tensioner
3	A	Pyrotechnical belt tensioner	Passenger's side pyrotechnical belt tensioner
4	A	Pyrotechnical belt tensioner	Passenger's side pyrotechnical belt tensioner
5	E	Power supply	Front power distribution box, fuse 42
6	M	Ground	Ground point
7	A	Air bag warning indicator	Instrument cluster
8	E	Belt switch	Passenger's seat belt switch
9	E/A	TxD diagnostic data line	Data link connector
10	A	Air bag (+)	Driver's air bag gas generator
11	A	Air bag (-)	Driver's air bag gas generator
12	E	Belt switch	Driver's seat belt switch
13	A	Air bag (+)	Passenger's air bag gas generator
14	A	Air bag (-)	Passenger's air bag gas generator
15	E	Seat occupancy detector	Seat occupancy detector
16	A	Gas generator	Gas generator, left side air bag
17	A	Gas generator	Gas generator, left side air bag
18	A	Gas generator	Gas generator, right side air bag
19	A	Gas generator	Gas generator, right side air bag
20	E	Impact sensor	Driver's side impact sensor
21	E	Impact sensor	Passenger's side impact sensor
22		Not used	
23		Not used	
24		Not used	
25		Not used	
26		Not used	
27		Not used	
28		Not used	
29		Not used	

E = Input, A = Output, M = Ground



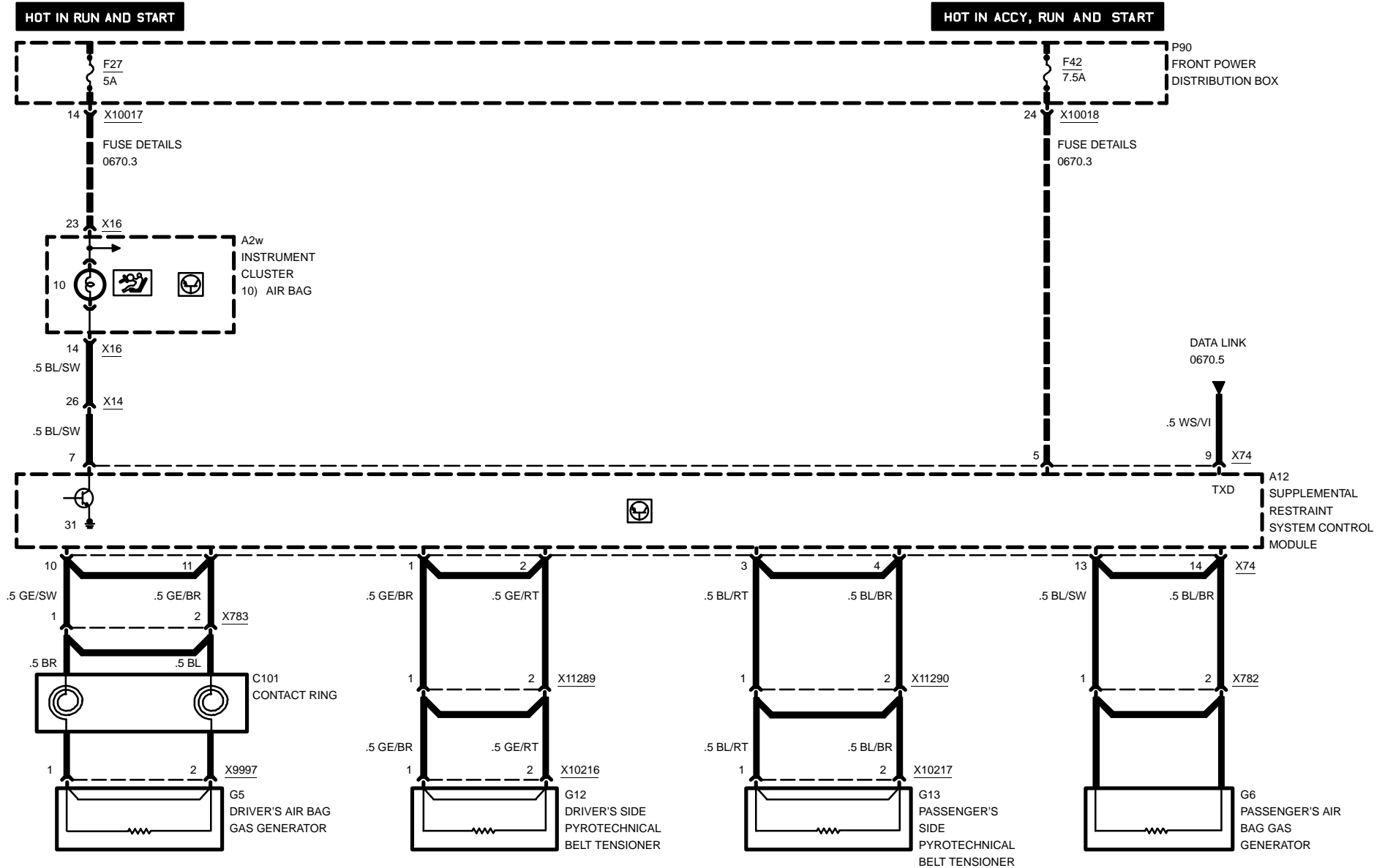
Pin Assignments

Pin	Type	Description/Function	Connection
30		Not used	
31		Not used	
32		Not used	
33		Not used	
34	A	Crash signal	Body electronics control module (ZKE IV)
35		Not used	
36		Not used	
37		Not used	
38		Not used	
39		Not used	
40		Not used	
41		Not used	
42		Not used	
43		Not used	
44		Not used	
45		Not used	
46		Not used	
47		Not used	
48		Not used	
49		Not used	
50		Not used	

E = Input, A = Output, M = Ground



SUPPLEMENTAL RESTRAINT SYSTEM (AIR BAG)



03/00

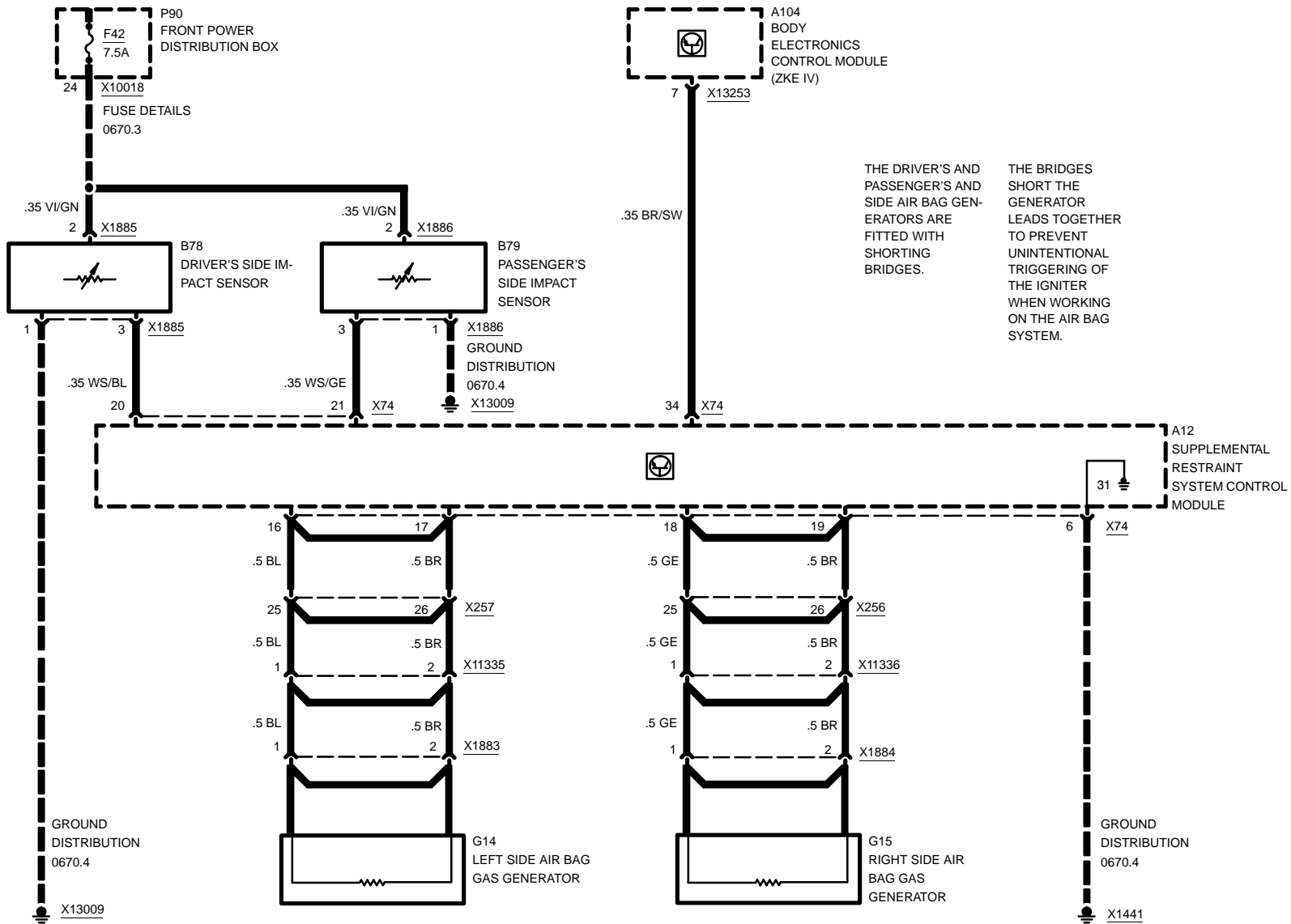
3234.0-00

1999



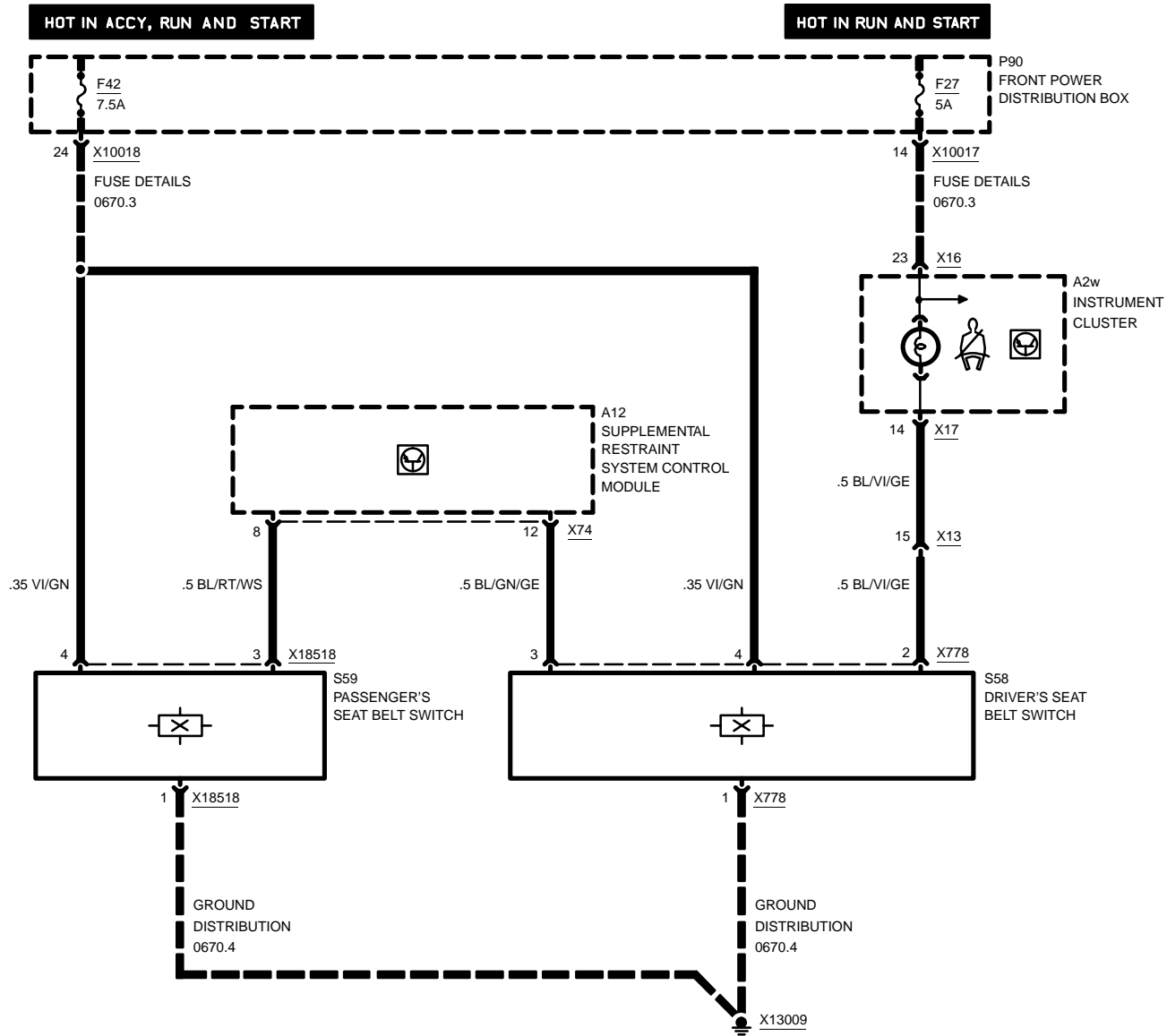
SUPPLEMENTAL RESTRAINT SYSTEM (AIR BAG)

HOT IN RUN AND START



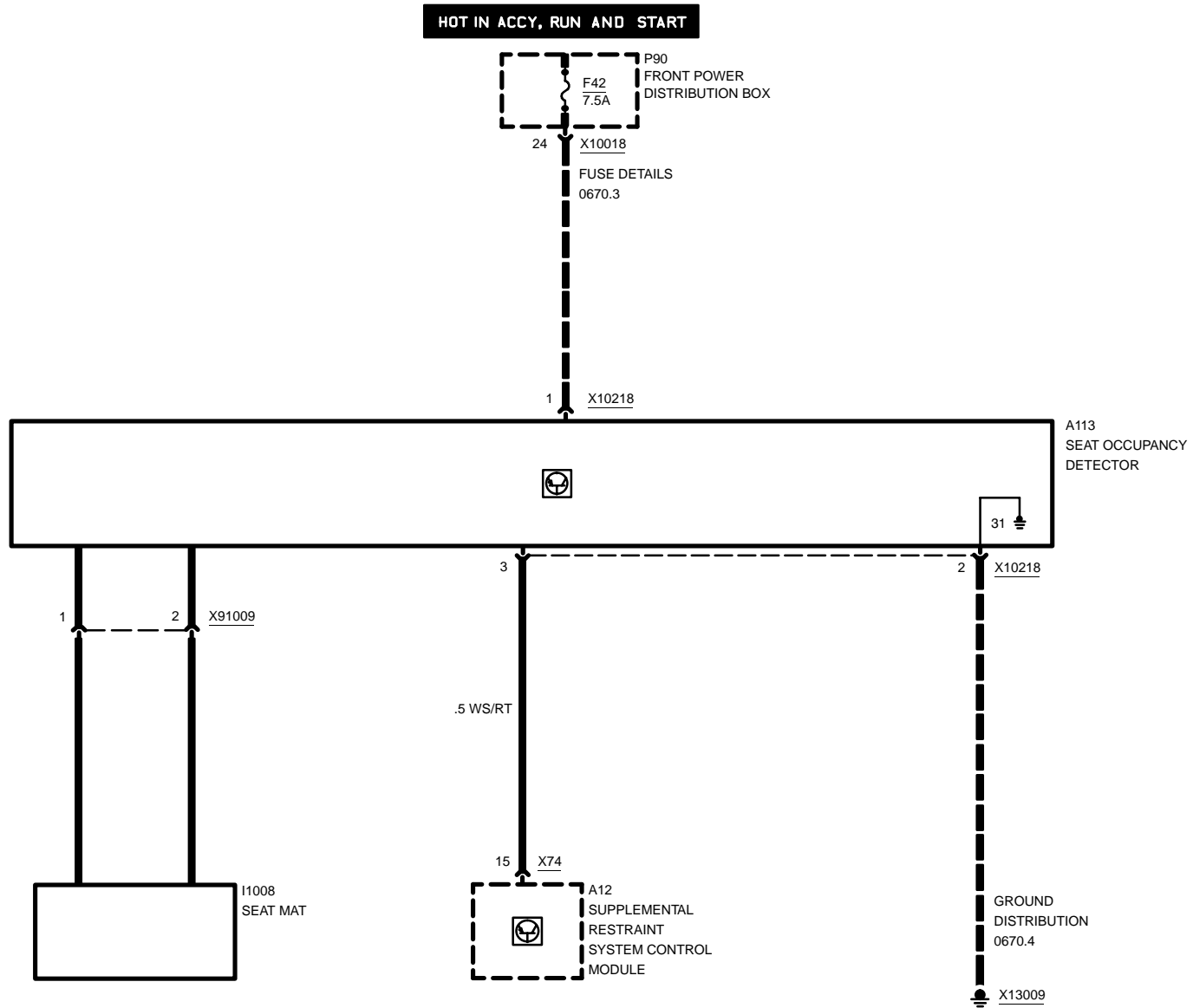


SUPPLEMENTAL RESTRAINT SYSTEM (AIR BAG)





SUPPLEMENTAL RESTRAINT SYSTEM (AIR BAG)



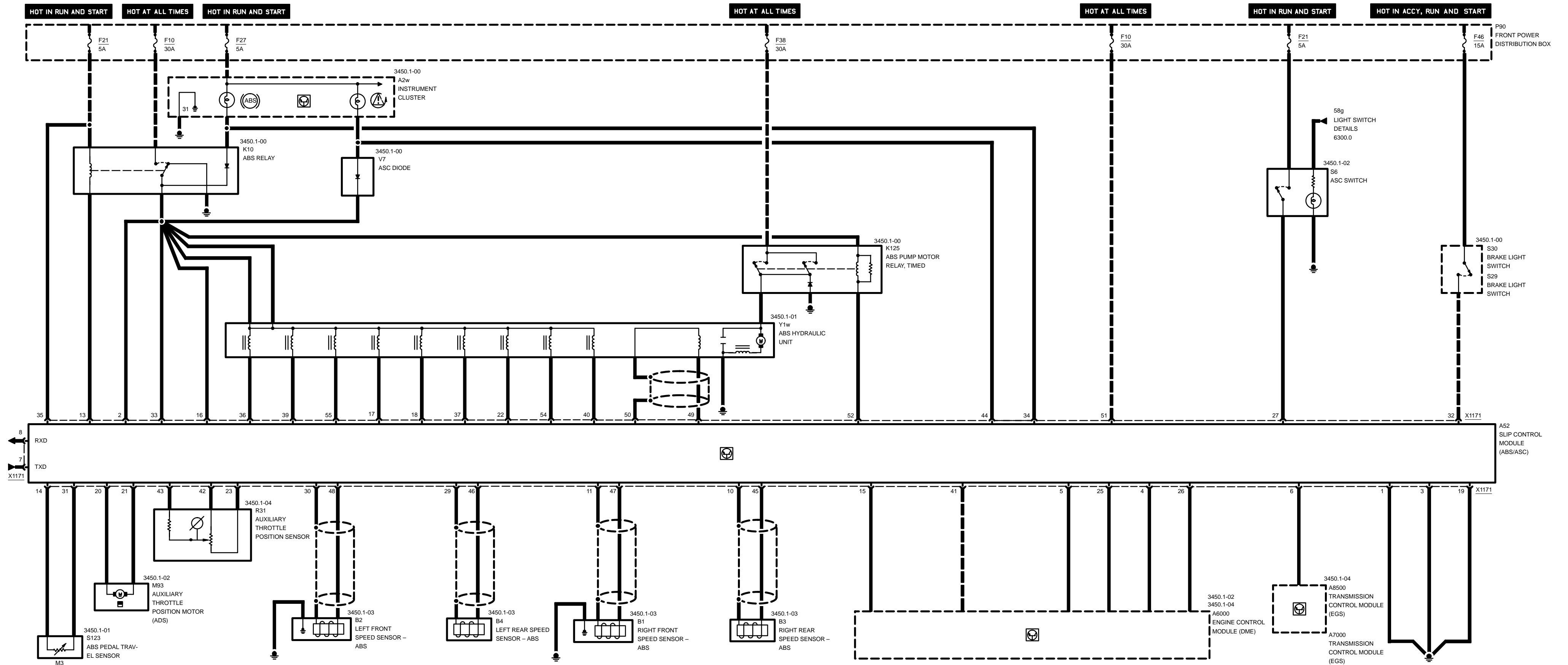
3450.1 SLIP CONTROL (ABS/ASC)

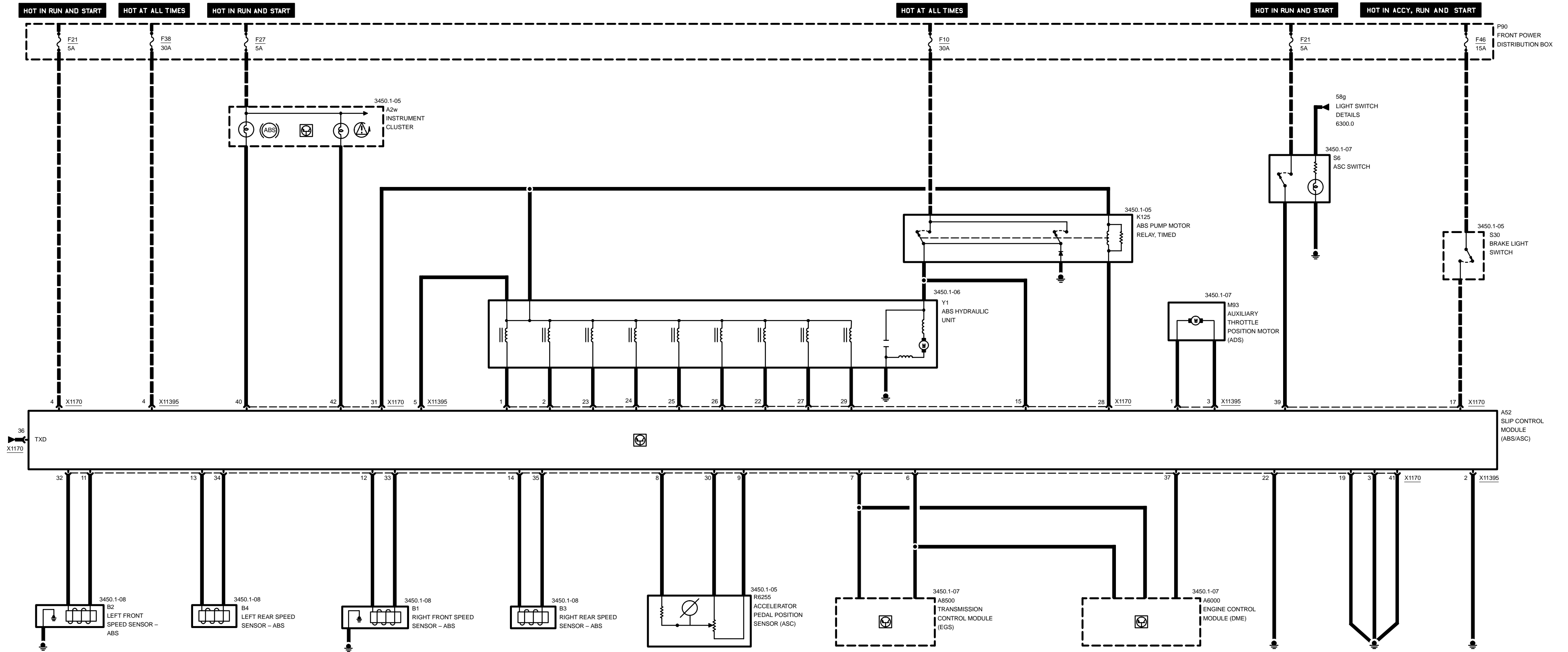
323i, 328i, M3

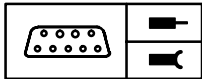
03/00

3450.1a

1999







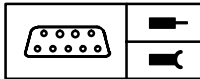
Pin Assignments

323i, 328i, M3

X1171

Pin	Type	Description/Function	Connection
1	M	Ground	Ground
2	E	Battery voltage	ABS relay
3	M	Ground	Ground
4	E	Ignition cut-off signal	DME module
5	A	EML signal	DME module
6	A	Transmission influence	Transmission control module
7	E/A	TxD signal	Diagnostic link
8	A	RxD signal	Diagnostic link
9		Not used	
10	A	Sensor ground	ABS speed sensor rear right
11	A	Sensor ground	ABS speed sensor front right
12		Not used	
13	A	ABS power protection relay	ABS power protection relay
14	E	Pedal travel sensor	Pedal travel sensor
15	A	Right rear speed signal	DME module
16	E	Plus supply	ABS relay
17	A	Solenoid valve signal left rear inlet	ABS hydraulic unit
18	A	Solenoid valve signal left rear outlet	ABS hydraulic unit
19	M	Ground	Ground
20	A	ADS step motor (-)	ADS step motor
21	A	ADS step motor (+)	ADS step motor
22	A	Solenoid valve signal right front inlet	ABS hydraulic unit
23	E	ASC throttle flap potentiometer (-)	ASC throttle flap motor potentiometer
24		Not used	
25	E	Idle speed signal	DME module
26	A	Throttle flap position	DME module
27	E	ASC switch signal	ASC witch
28		Not used	
29	A	Sensor ground	ABS speed sensor rear left
30	A	Sensor ground	ABS speed sensor front left

E = Input, A = Output, M = Ground

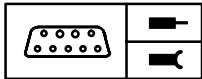


Pin Assignments

323i, 328i, M3

Pin	Type	Description/Function	Connection
31	E	Pedal travel sensor	Pedal travel sensor
32	E	Brake signal	Brake light switch
33	E	Plus supply	ABS relay
34	A	ABS lamp control	Instrument cluster
35	E	Ignition signal	Fuse 21
36	A	Separator valve	ABS hydraulic unit
37	A	Solenoid valve signal right front outlet	ABS hydraulic unit
38		Not used	
39	A	Right rear inlet valve	ABS hydraulic unit
40	A	Solenoid valve signal left front inlet	ABS hydraulic unit
41	E	Speed signal	DME module
42	E	ASC throttle flap potentiometer (+)	ASC throttle flap potentiometer
43	E	ASC throttle flap signal	ASC throttle flap potentiometer
44	A	ASC lamp control	Instrument cluster
45	E	Speed sensor signal rear right	Speed sensor rear right
46	E	Speed sensor signal rear left	Speed sensor rear left
47	E	Speed sensor signal front right	Speed sensor front right
48	E	Speed sensor signal front left	Speed sensor front left
49	E	Pump motor sensor signal	ABS hydraulic unit
50	E	Shield pump motor sensor	ABS hydraulic unit
51	E	Plus supply	Front power distribution box
52	A	ABS pump motor relay	ABS pump motor relay
53		Not used	
54	A	Solenoid valve signal left front outlet	ABS hydraulic unit
55	A	Right rear outlet valve	ABS hydraulic unit

E = Input, A = Output, M = Ground



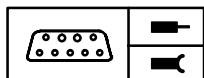
Pin Assignments

318i

X1170

Pin	Type	Description/Function	Connection
56	A	Right rear inlet valve	ABS hydraulic unit
57	A	Separator valve	ABS hydraulic unit
58	M	Ground	Ground point
59	E	Voltage supply	Fuse 21
60		Not used	
61	E/A	Can Low	DME/EGS module
62	E/A	Can High	DME/EGS module
63	E	ASC throttle flap signal	Accelerator pedal position sensor
64	E	ASC throttle flap potentiometer (-)	Accelerator pedal position sensor
65		Not used	
66	A	Sensor ground	Left front speed sensor ABS
67	A	Sensor ground	Right front speed sensor ABS
68	A	Sensor ground	Left rear speed sensor ABS
69	A	Sensor ground	Right rear speed sensor ABS
70	E	Signal pump motor	ABS pump motor relay
71		Not used	
72	E	Brake pedal position	Brake light switch
73		Not used	
74	M	Ground	Ground point
75		Not used	
76		Not used	
77	A	Left front outlet valve	ABS hydraulic unit
78	A	Right rear outlet valve	ABS hydraulic unit
79	A	Left rear inlet valve	ABS hydraulic unit
80	A	Left rear outlet valve	ABS hydraulic unit
81	A	Right front outlet valve	ABS hydraulic unit
82	A	Right front inlet valve	ABS hydraulic unit
83	A	Activate relay	ABS pump motor relay
84	A	Left front inlet valve	ABS hydraulic unit
85	E	ASC throttle flap potentiometer (+)	Accelerator pedal position sensor

E = Input, A = Output, M = Ground



Pin Assignments

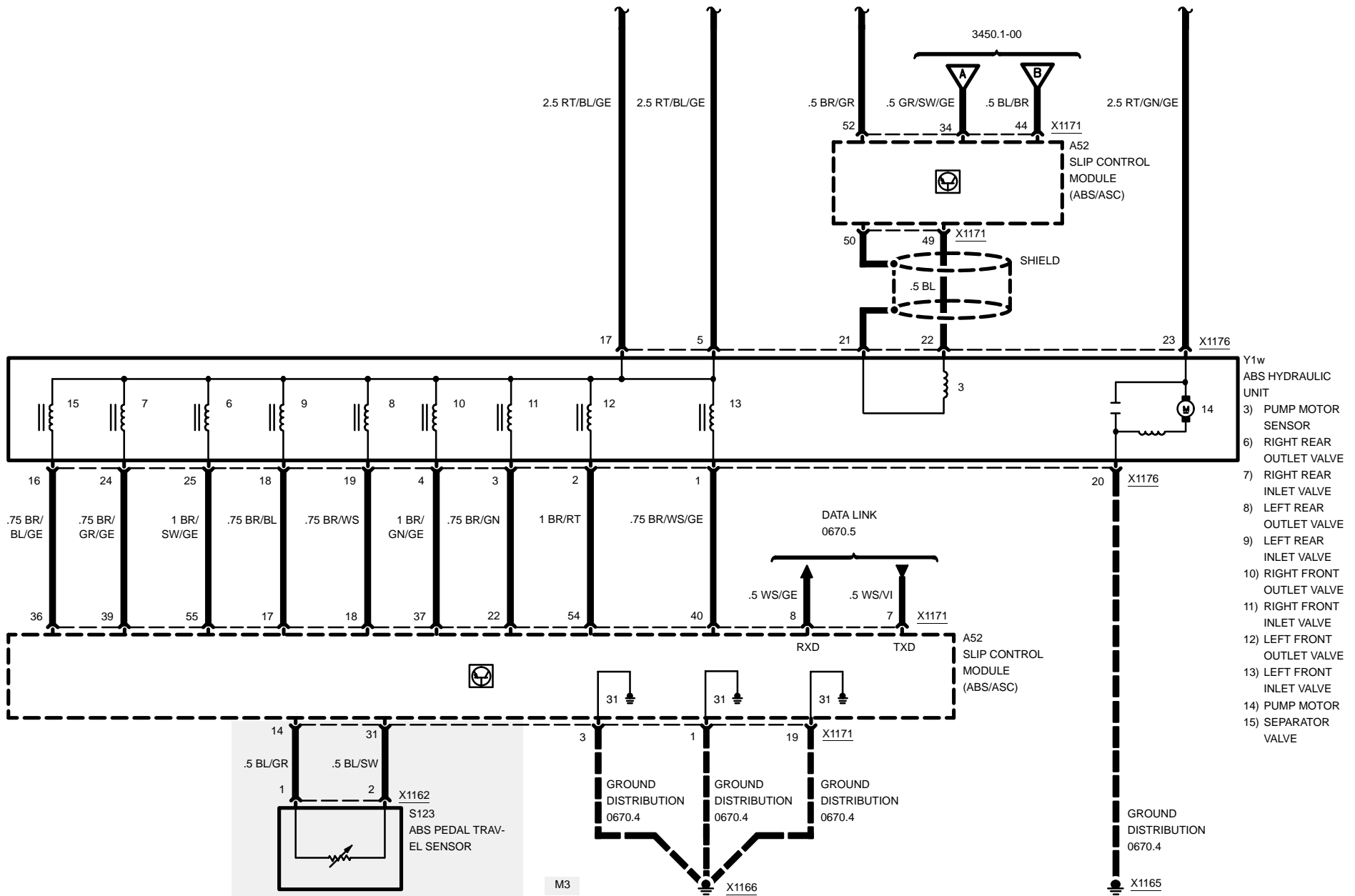
318i

Pin	Type	Description/Function	Connection
86	A	Signal ABS	ABS pump motor relay/Hydraulic unit
87	E	Speed signal	Left front speed sensor ABS
88	E	Speed signal	Right front speed sensor ABS
89	E	Speed signal	Left rear speed sensor ABS
90	E	Speed signal	Right rear speed sensor ABS
91	E/A	TxD diagnostic data link	Data link connector
92	A	Speed signal right rear	DME module
93		Not used	
94	E	Signal ASC	ASC switch
95	E	Slip control system warning lamp	Slip control module (ASC)
96	M	Ground	Ground point
97	A	Signal ASC	Instrument cluster

X11395

Pin	Type	Description/Function	Connection
1	A	ADS step motor (+)	ADS step motor
2	M	Ground	Ground point
3	A	ADS step motor (-)	ADS step motor
4	E	Voltage supply	Fuse 38
5	A	Signal ABS	ABS hydraulic unit

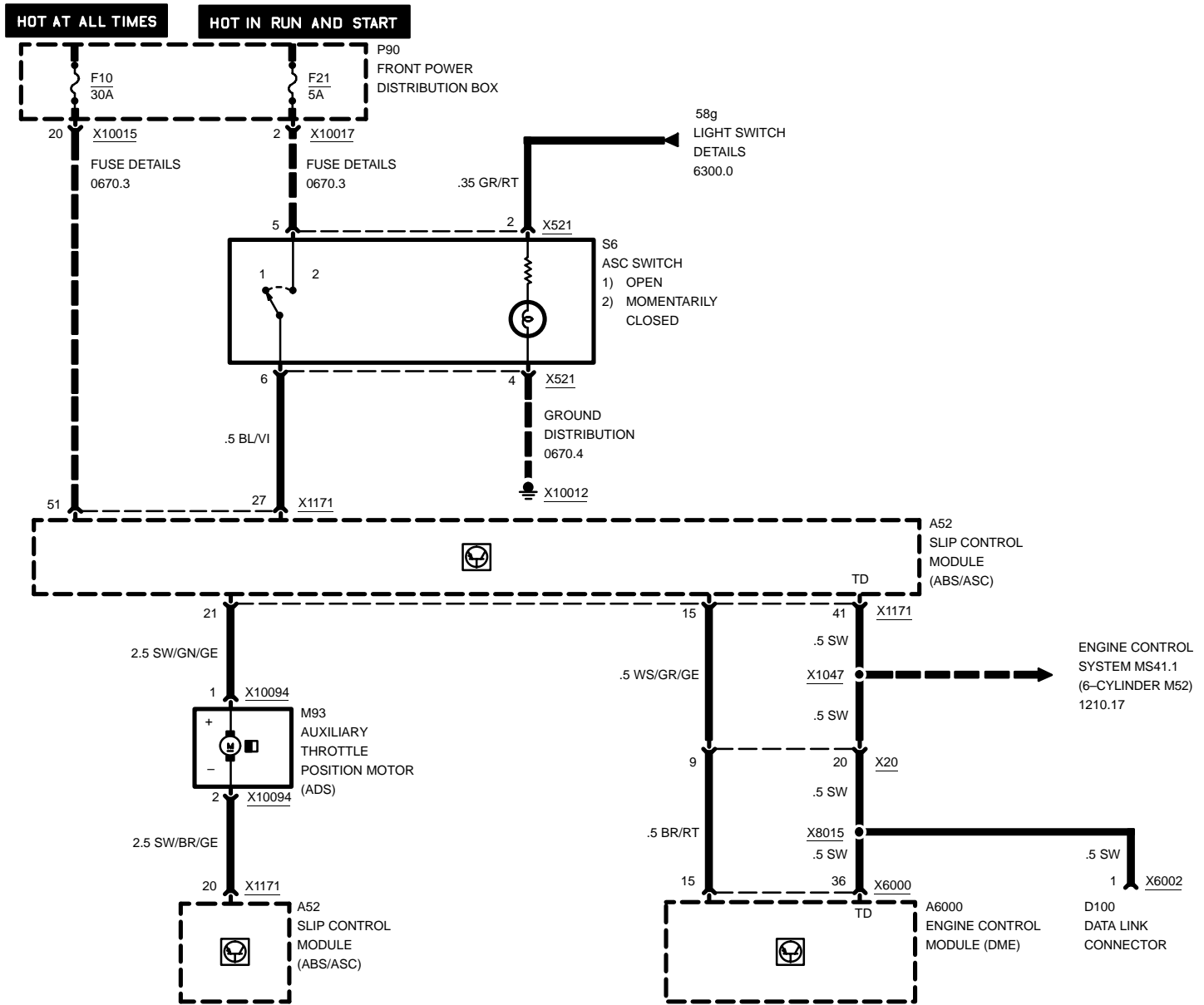
E = Input, A = Output, M = Ground





SLIP CONTROL (ABS/ASC)

323i, 328i, M3



03/00

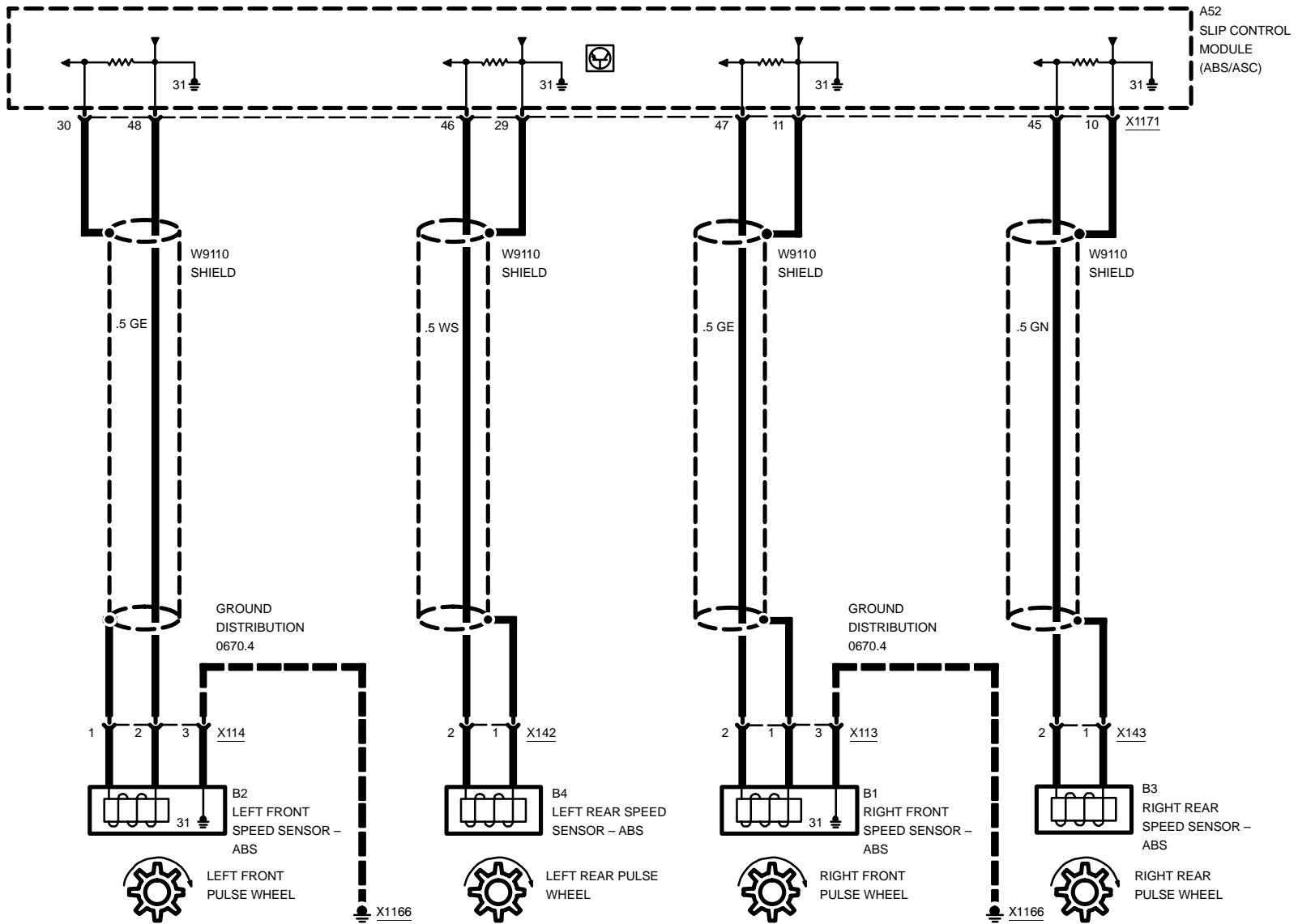
3450.1-02

1999



SLIP CONTROL (ABS/ASC)

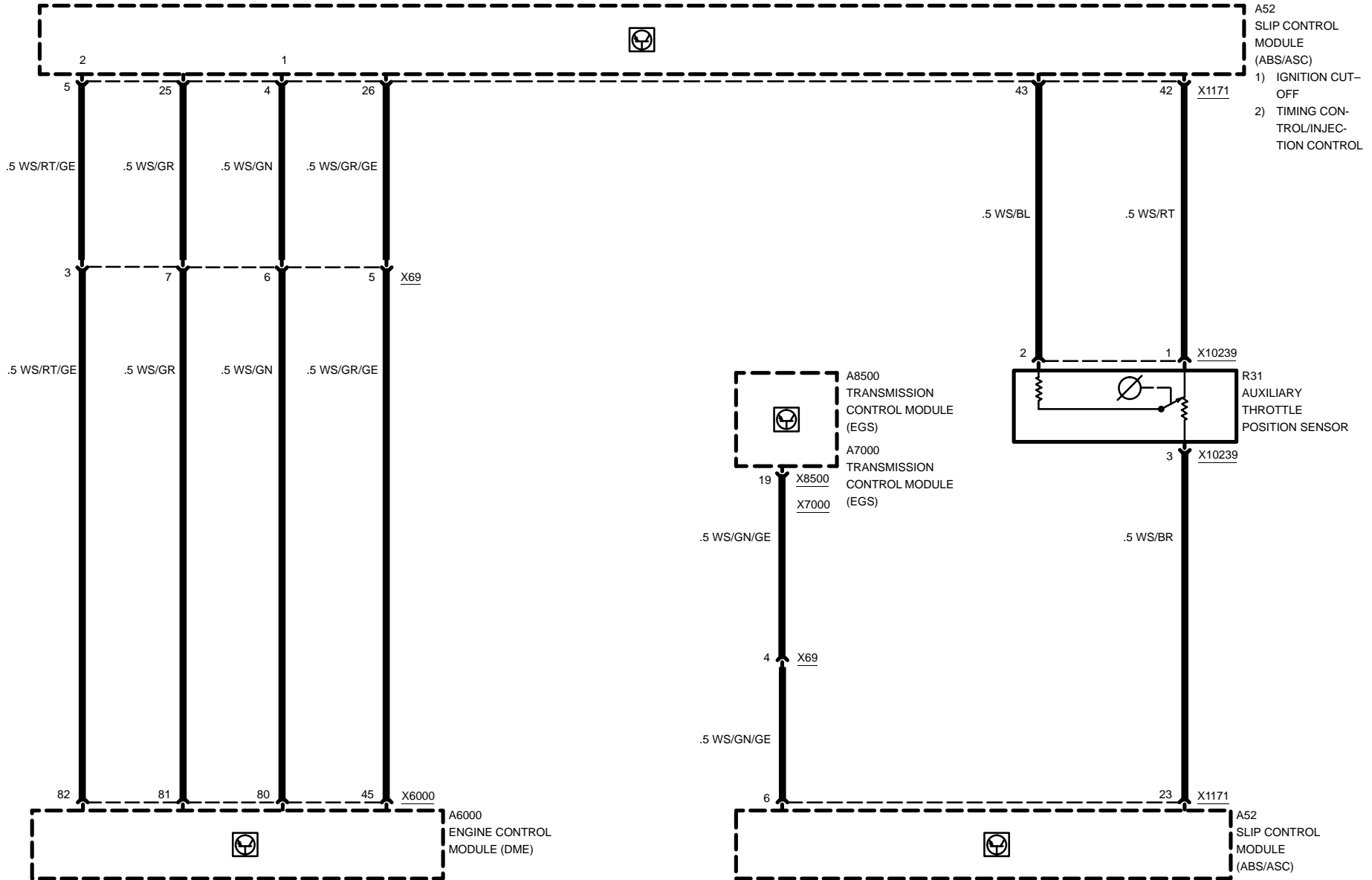
323i, 328i, M3





SLIP CONTROL (ABS/ASC)

323i, 328i, M3



03/00

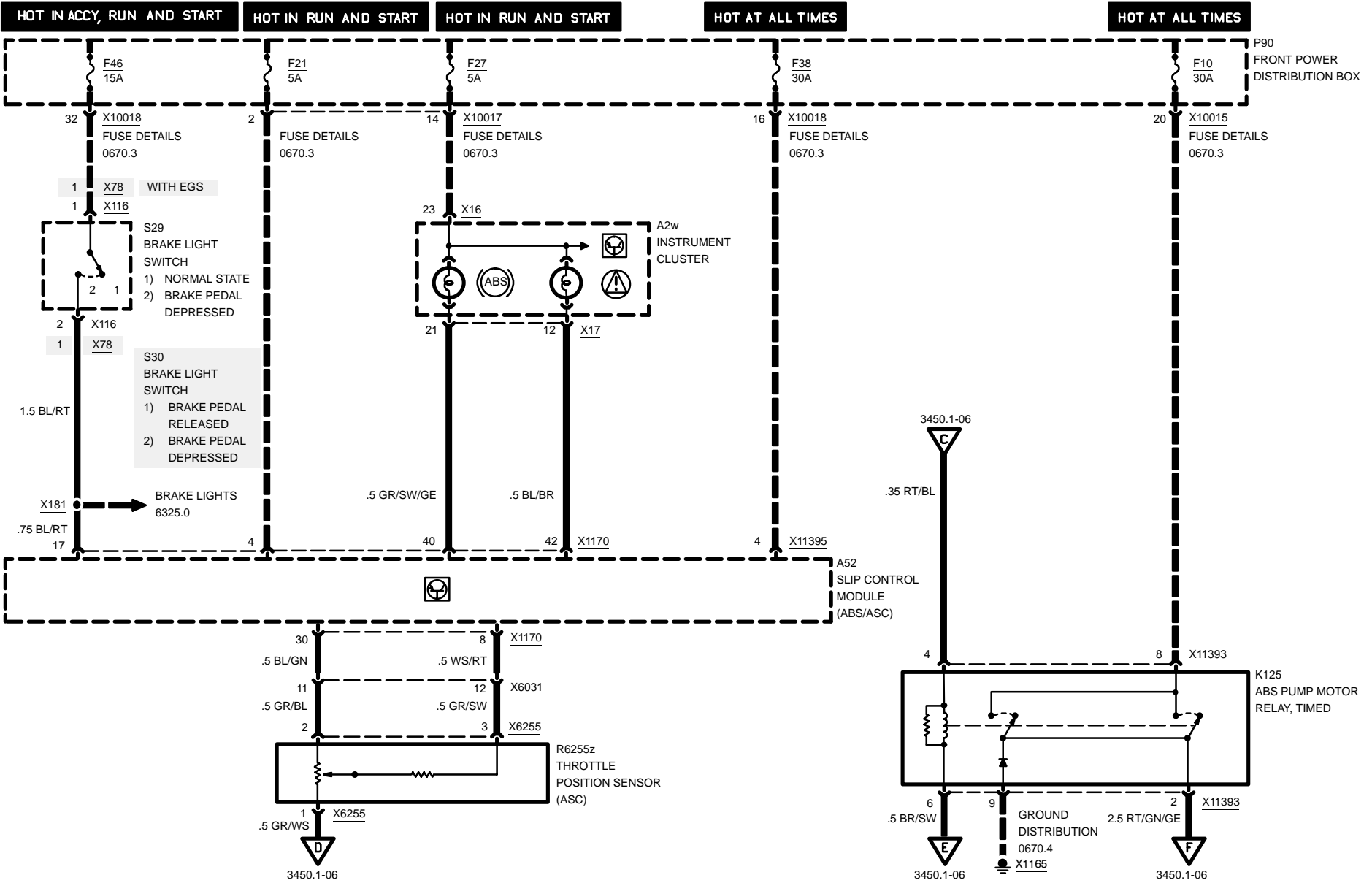
3450.1-04

1999



SLIP CONTROL (ABS/ASC)

318i



03/00

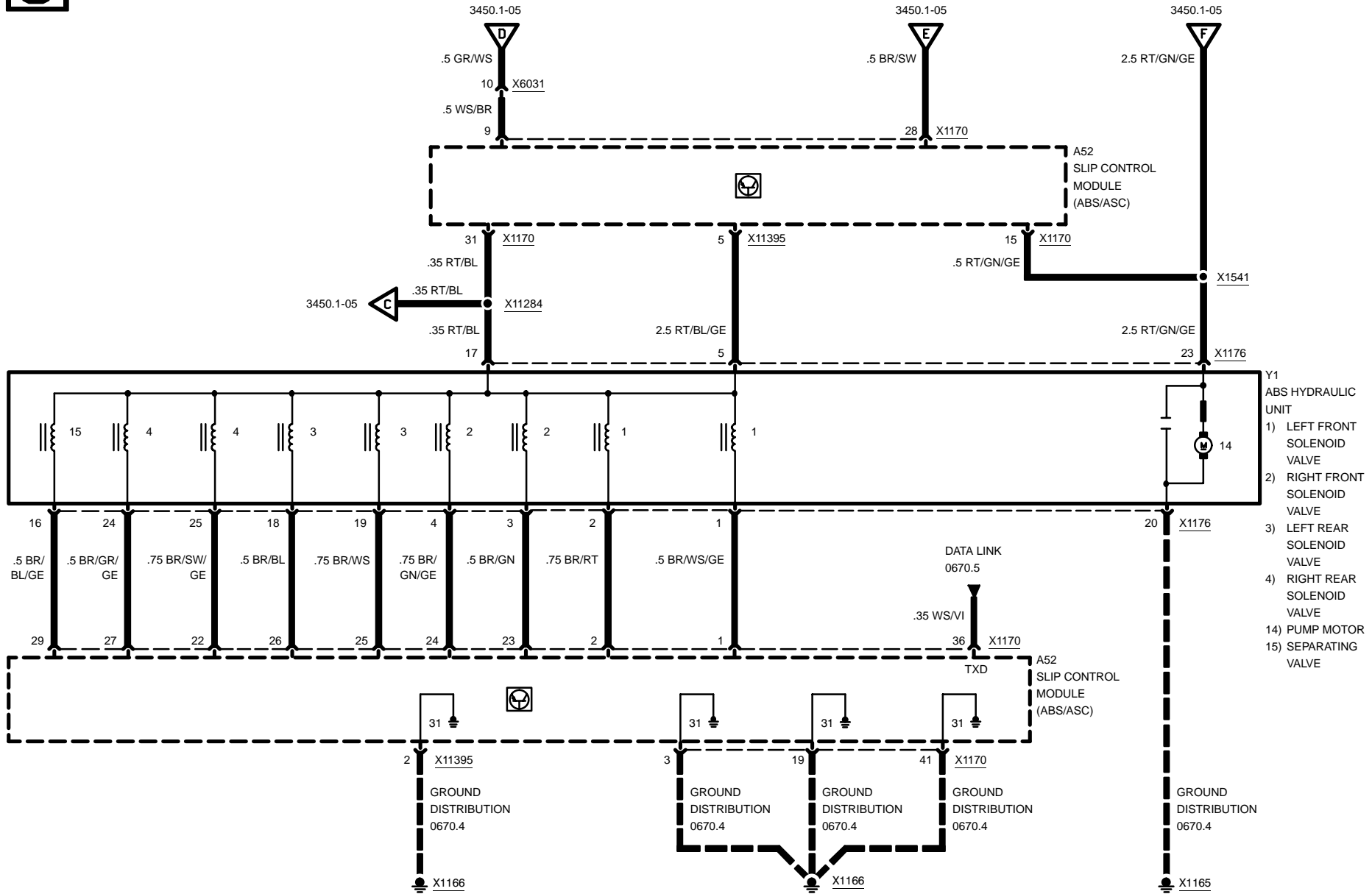
3450.1-05

1999



SLIP CONTROL (ABS/ASC)

318i



03/00

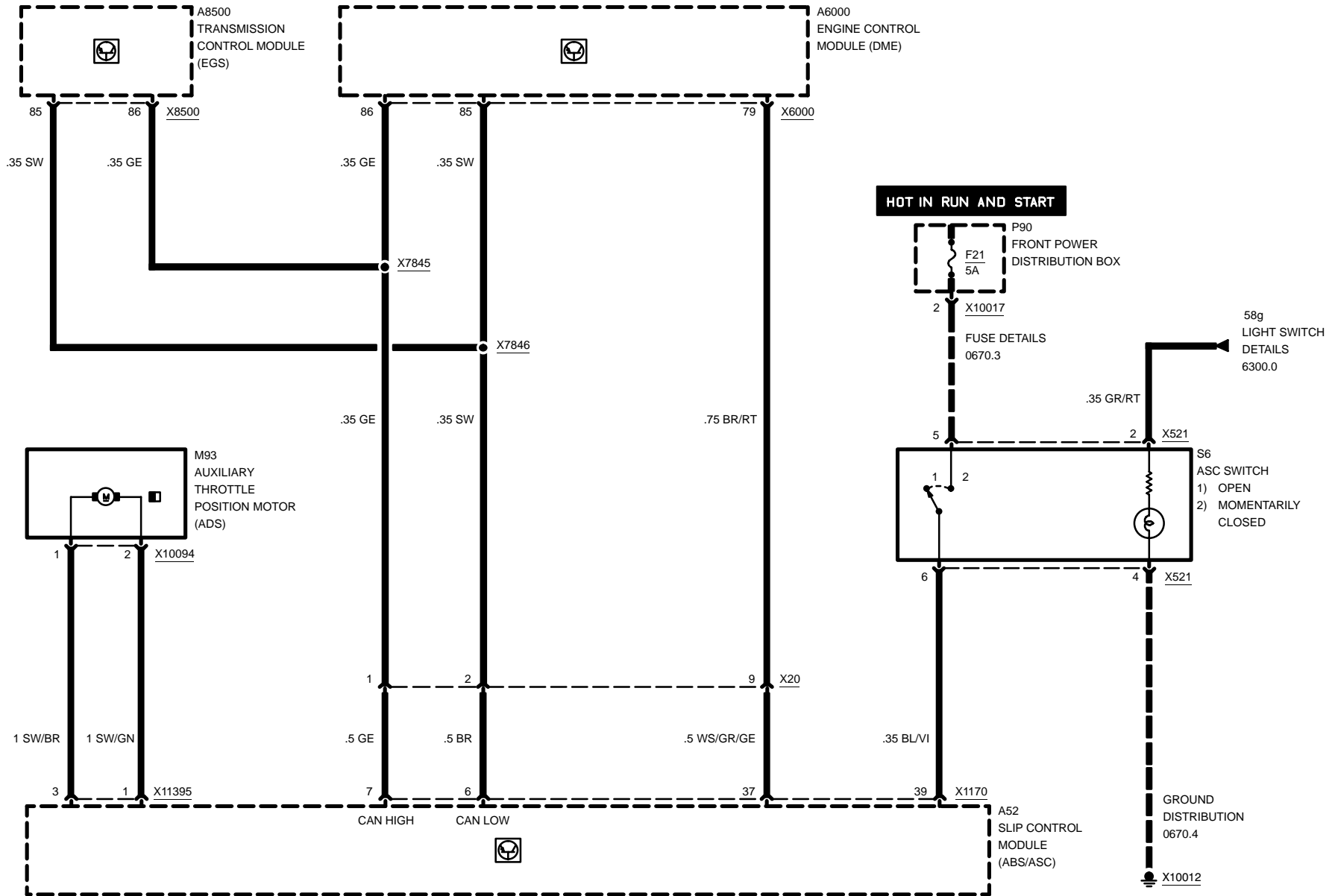
3450.1-06

1999



SLIP CONTROL (ABS/ASC)

318i



03/00

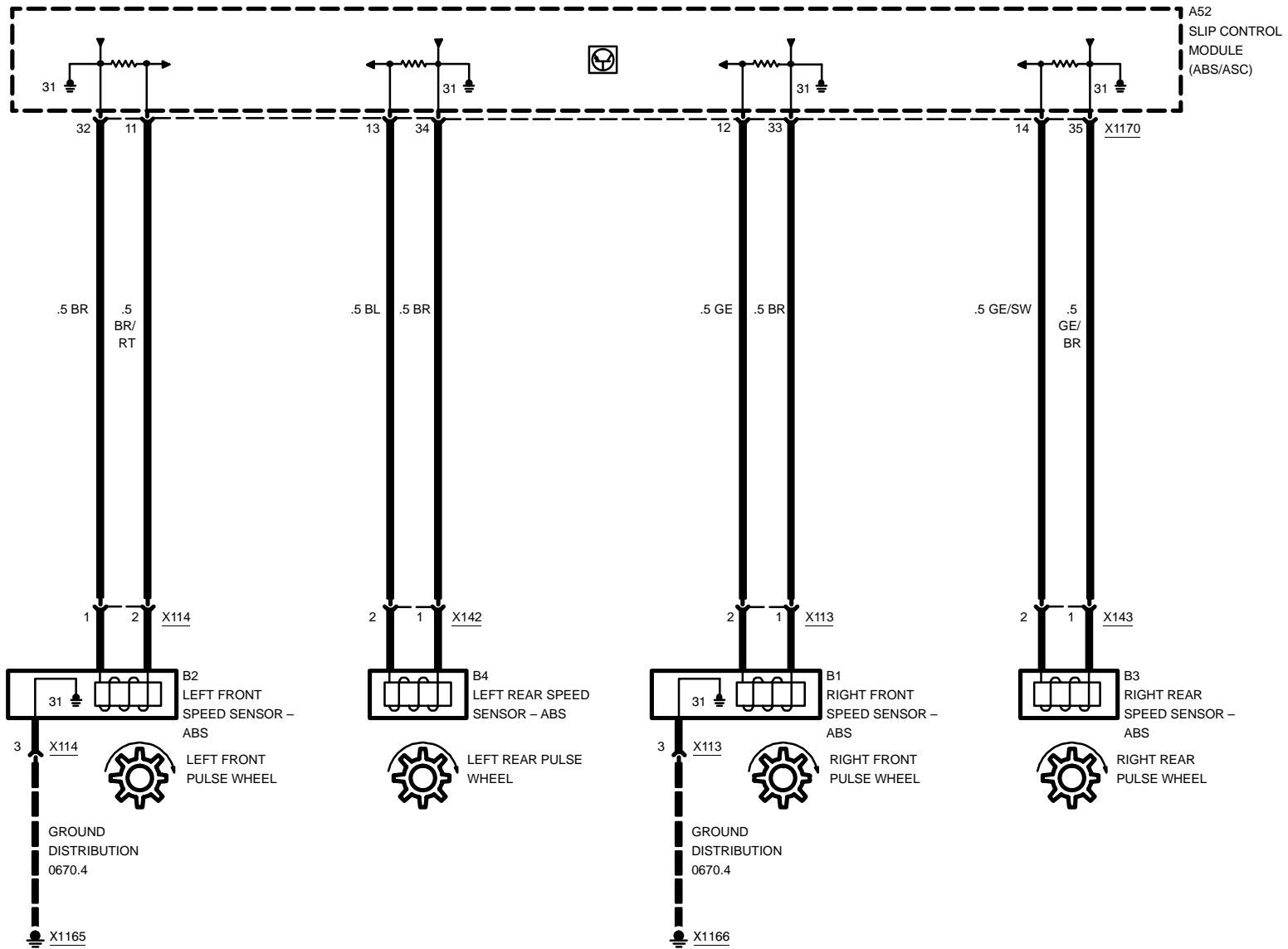
3450.1-07

1999



SLIP CONTROL (ABS/ASC)

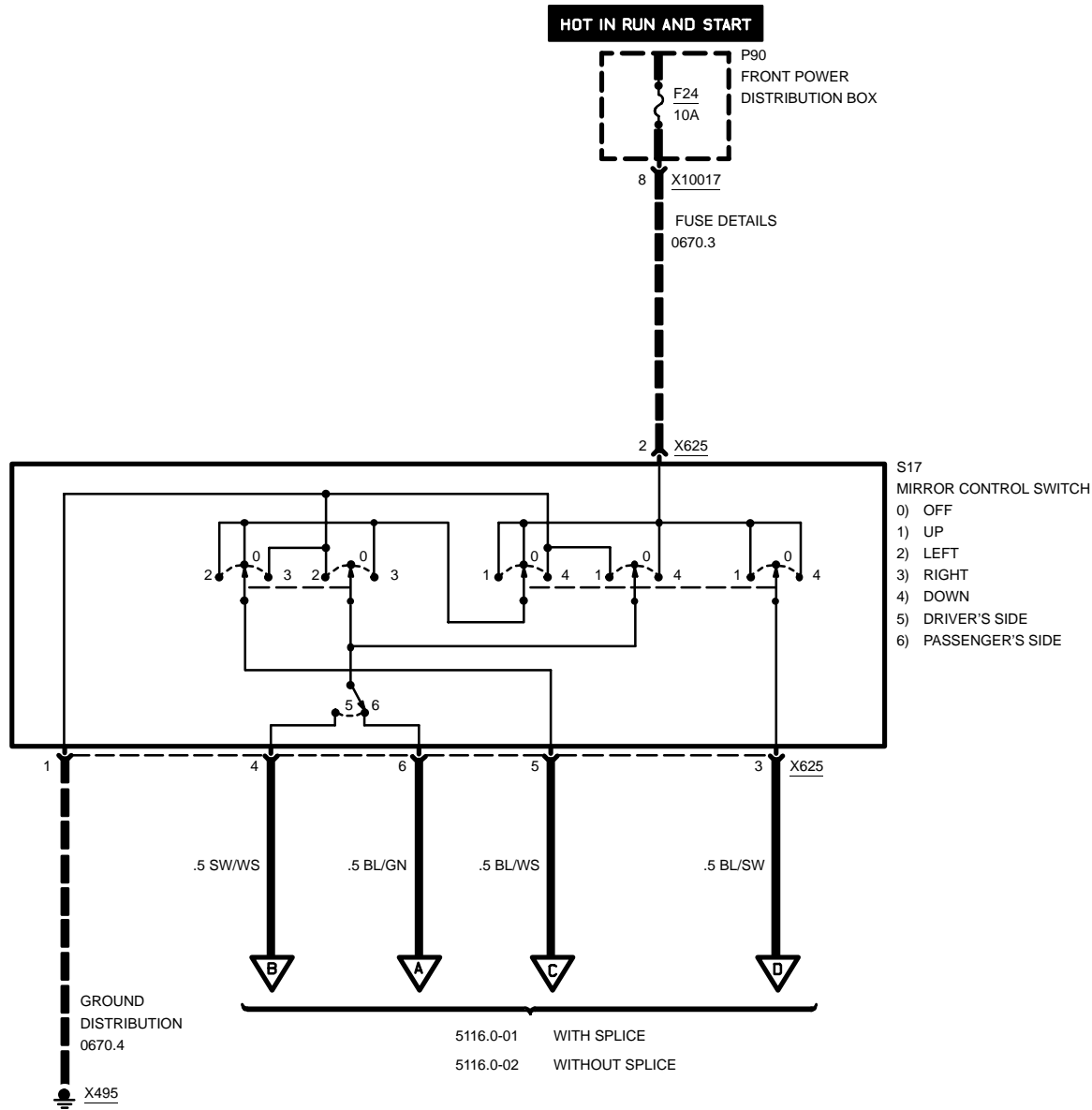
318i





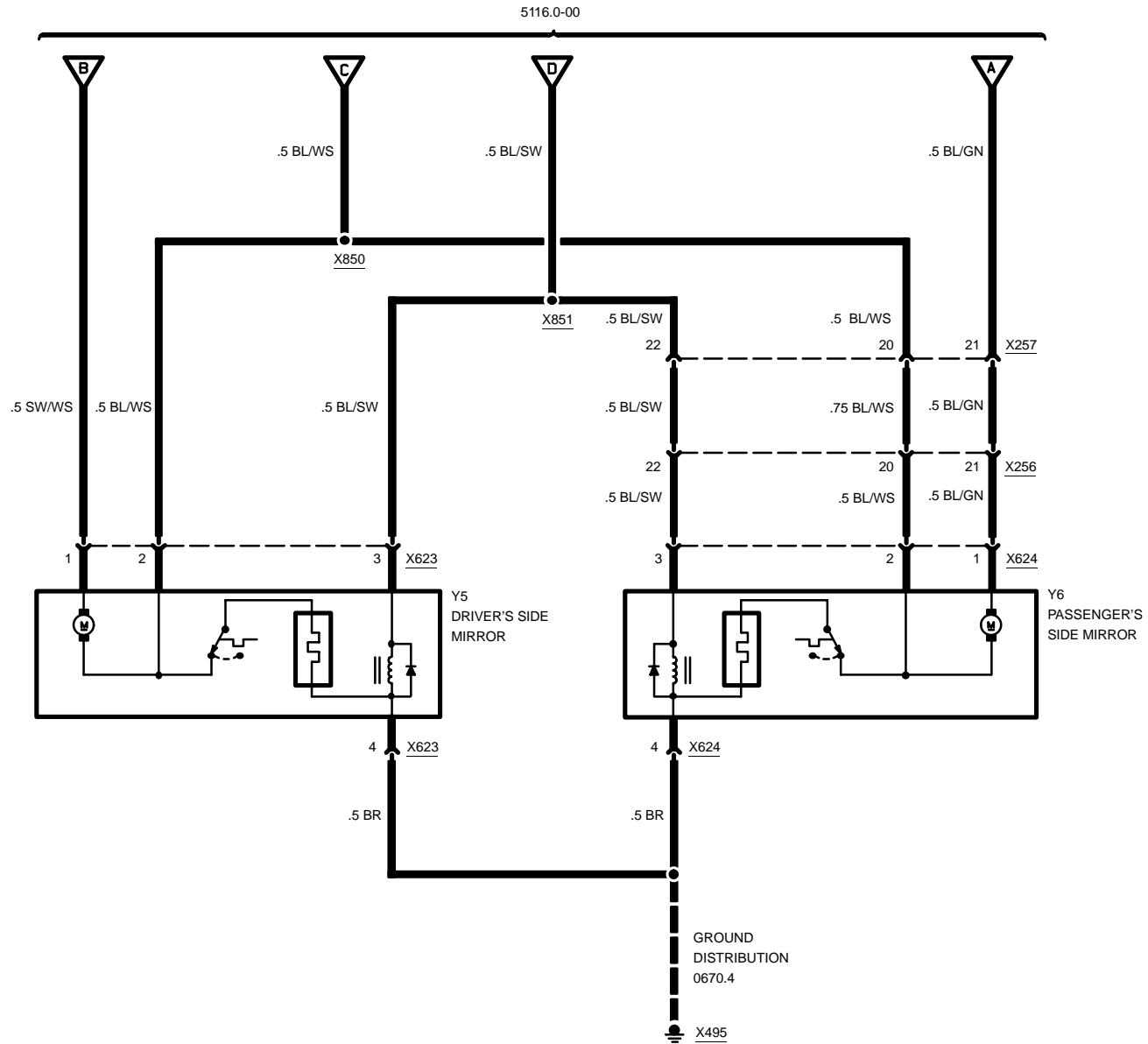
5116.0 POWER MIRRORS

OUTSIDE MIRROR



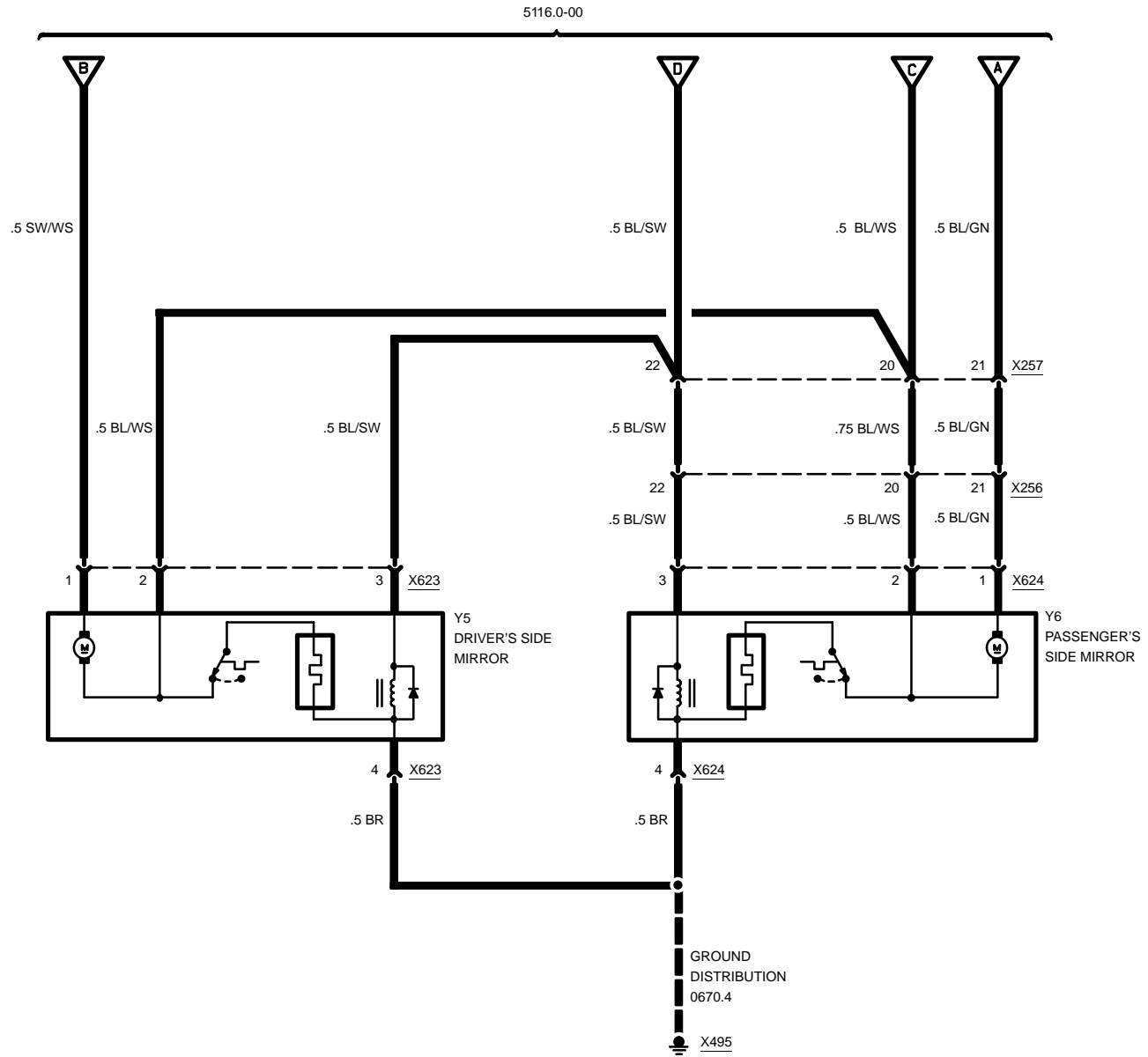


POWER MIRRORS WITH SPLICE



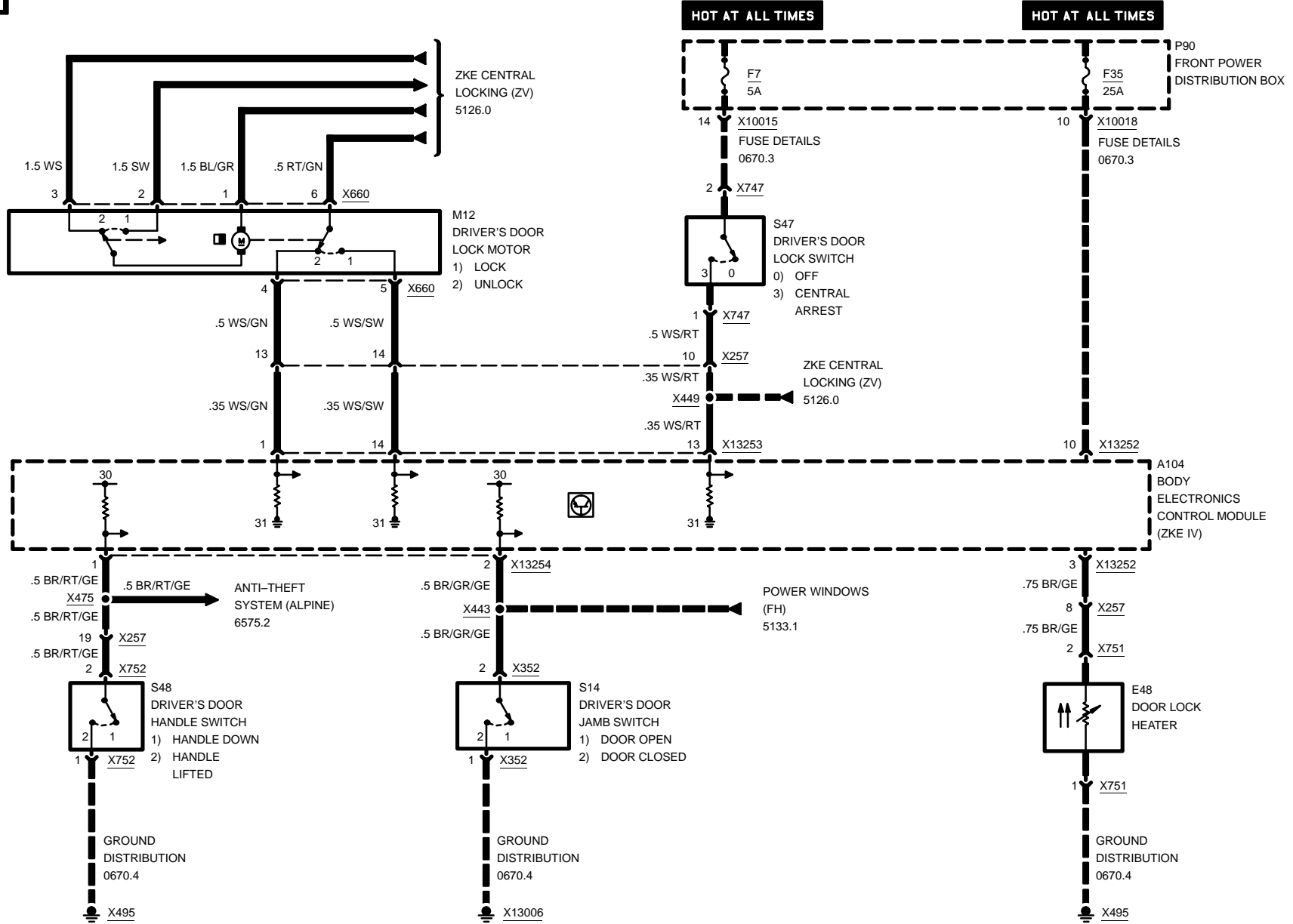


POWER MIRRORS WITHOUT SPLICE



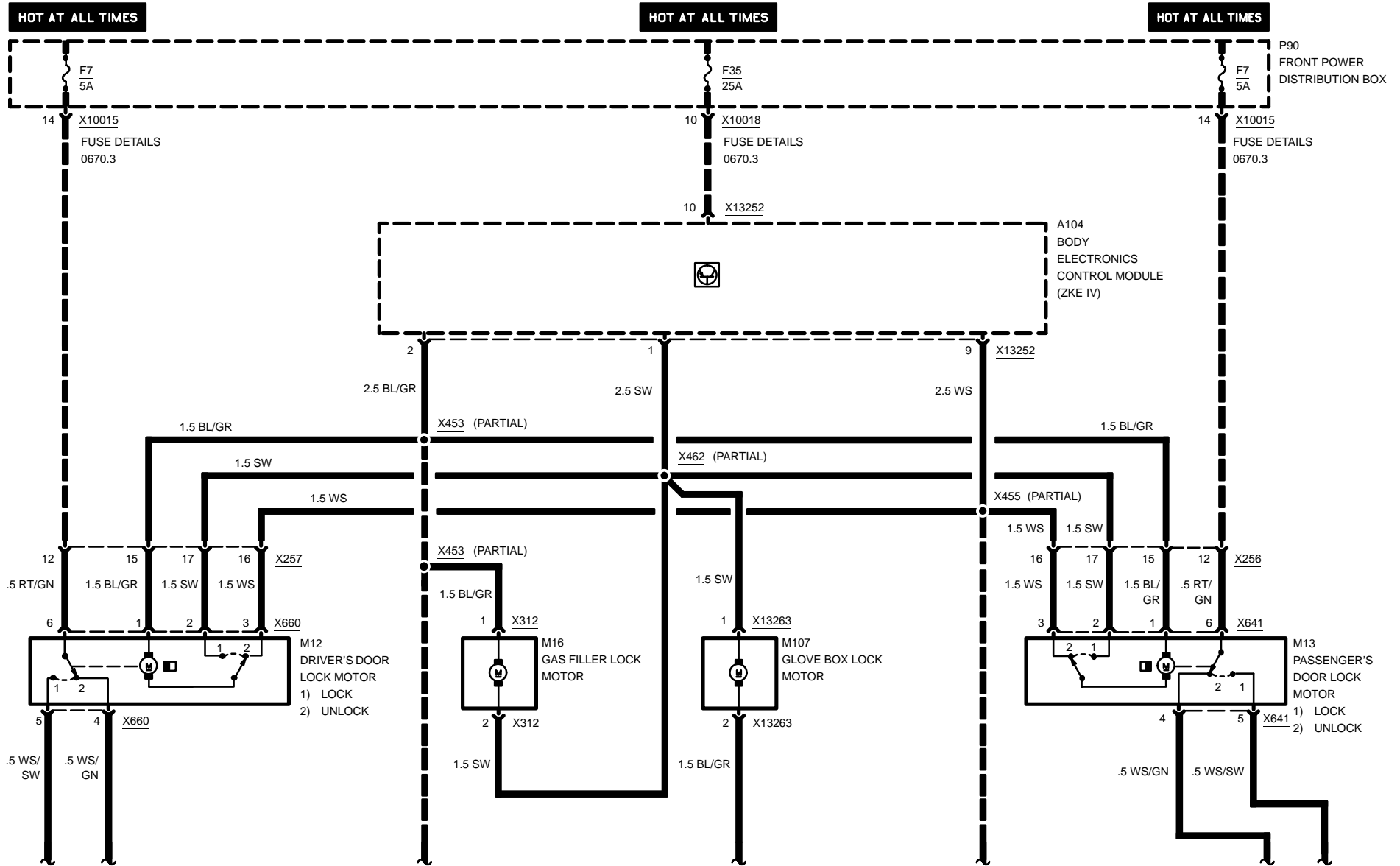


5120.0 ZKE DOOR LOCK HEATING (TSH)





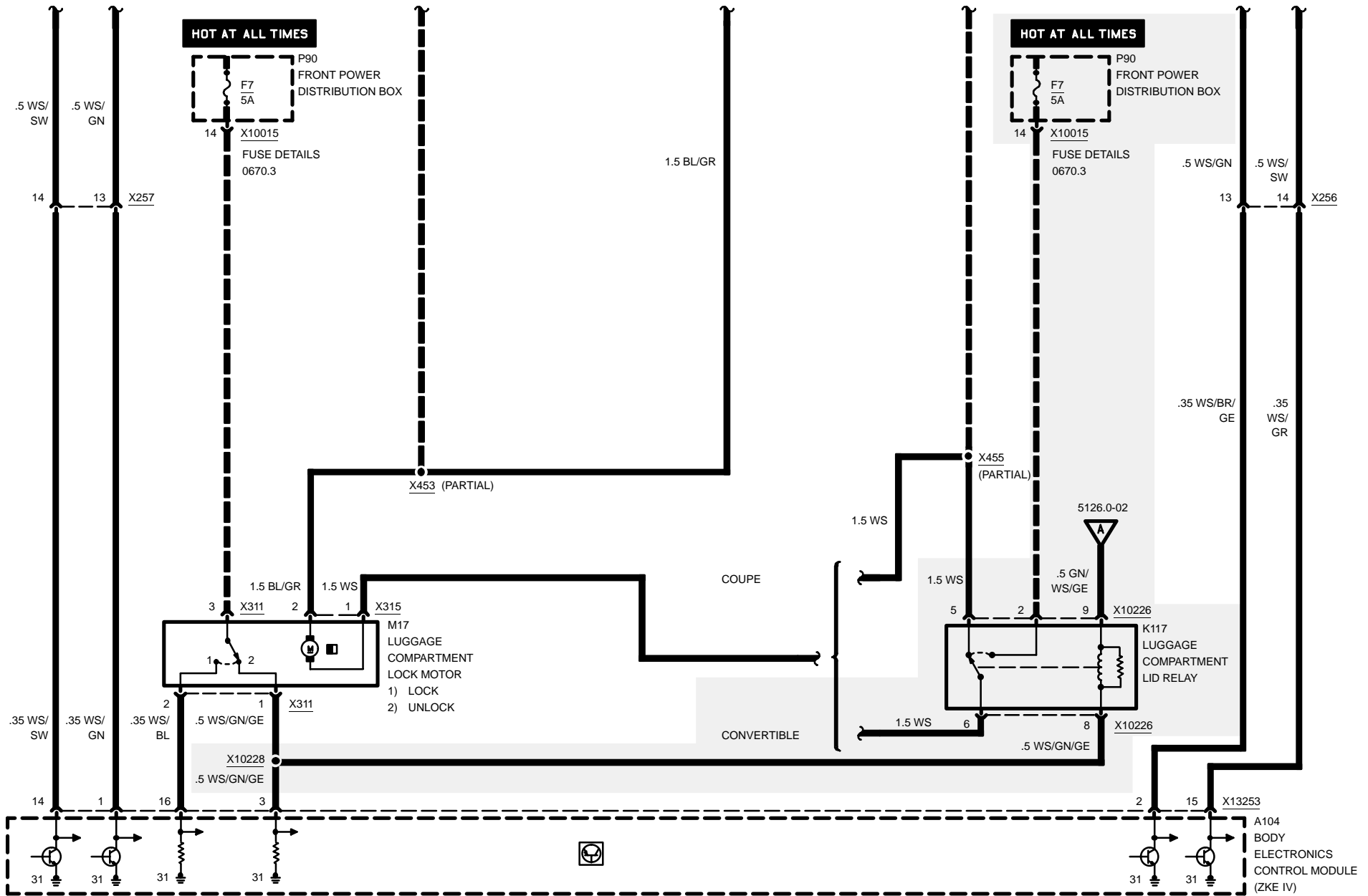
5126.0 ZKE CENTRAL LOCKING (ZV) OUTPUT DETAILS

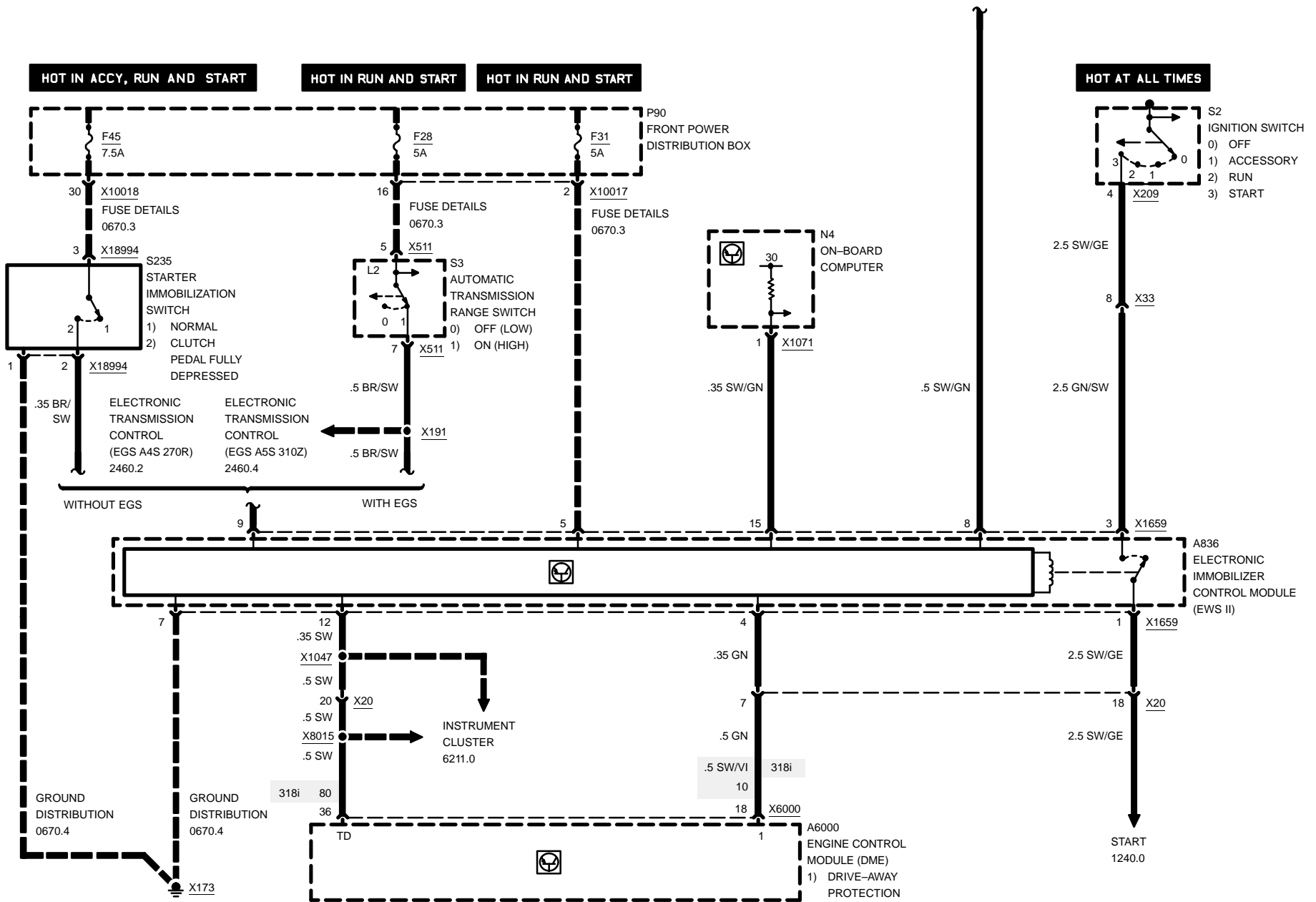


03/00

5126.0-00

1999

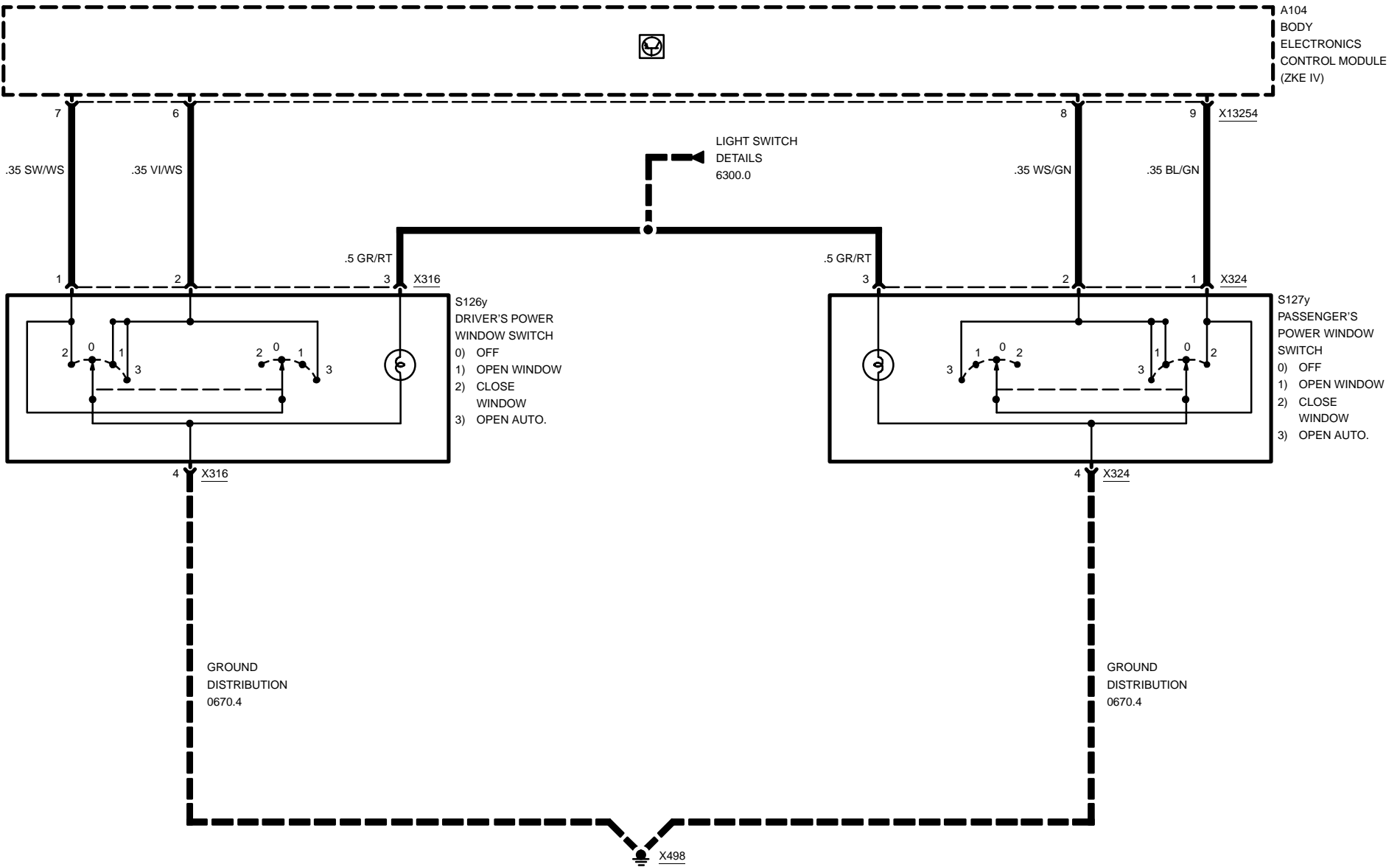






POWER WINDOWS (FH)

INPUT DETAILS



03/00

5133.1-01

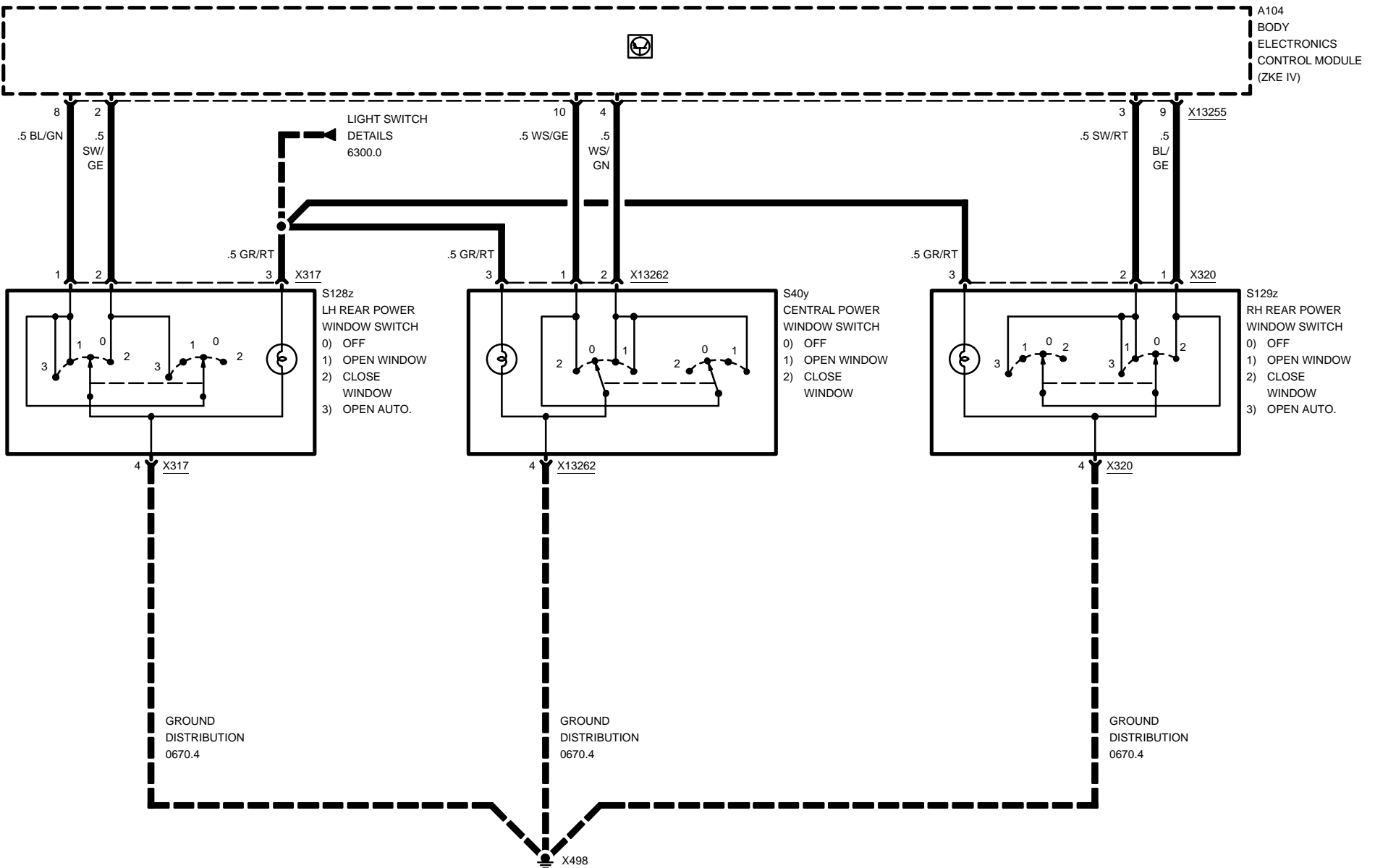
1999



POWER WINDOWS (FH)

CONVERTIBLE

INPUT DETAILS



03/00

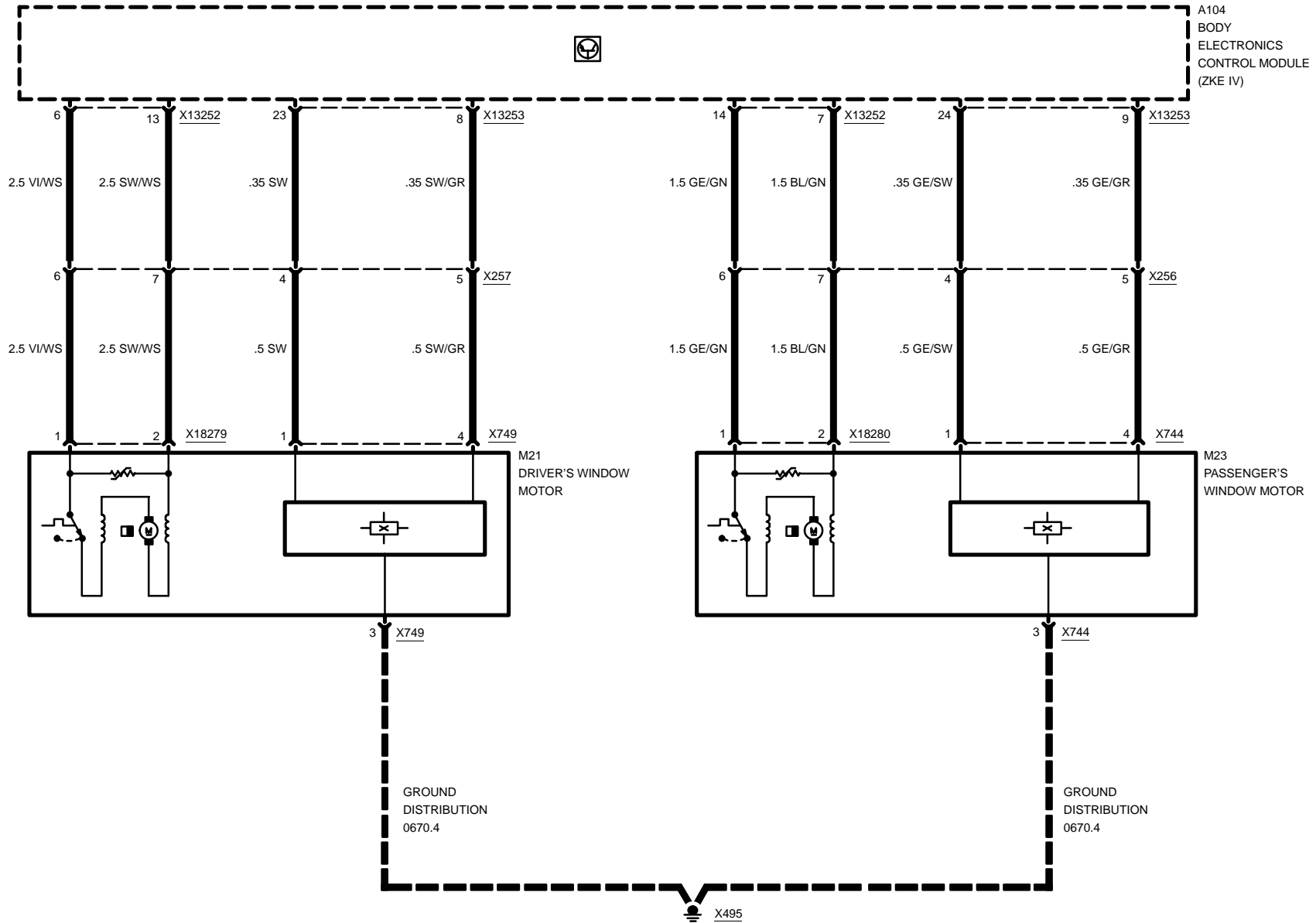
5133.1-02

1999



POWER WINDOWS (FH)

OUTPUT DETAILS



03/00

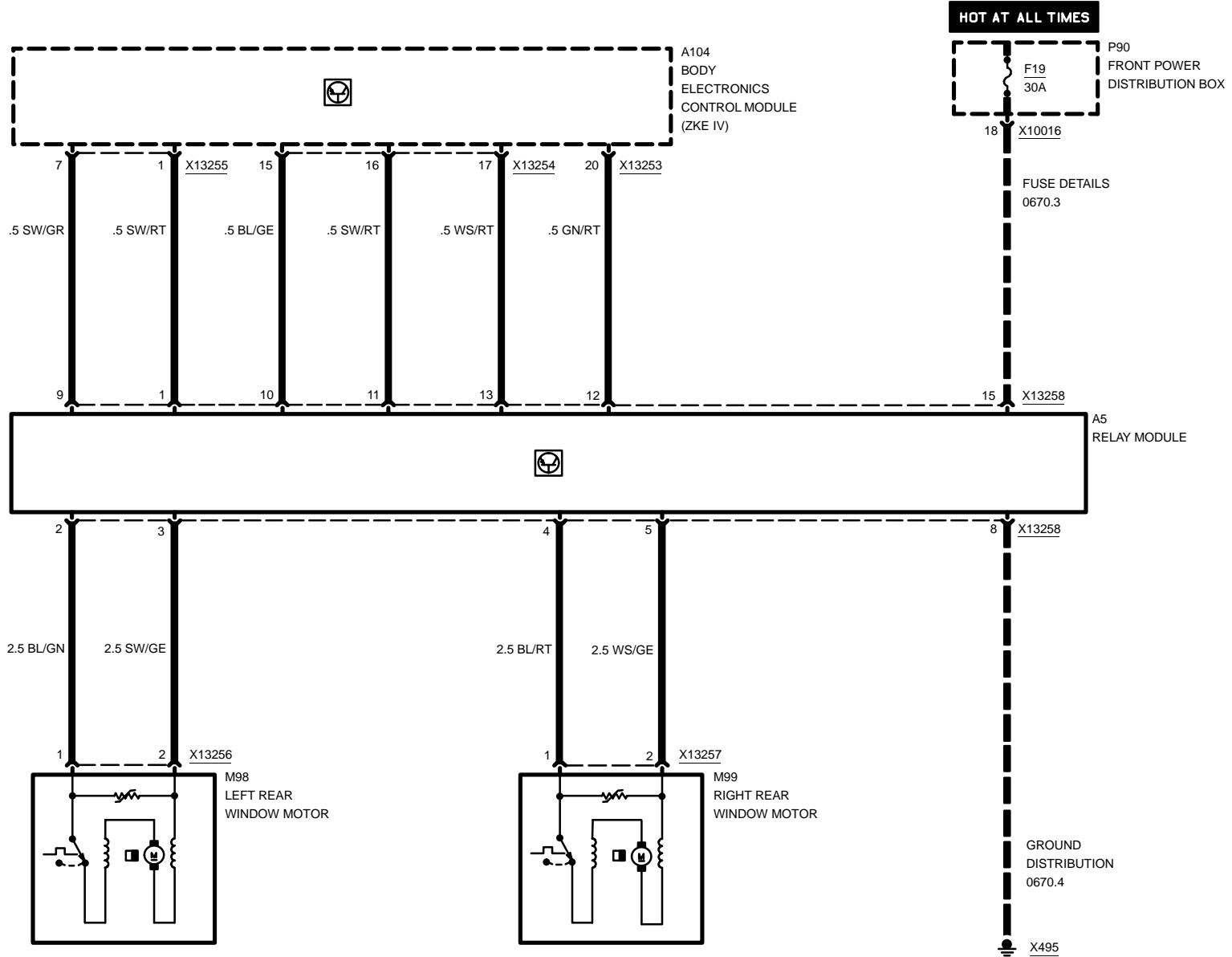
5133.1-03

1999



POWER WINDOWS (FH) OUTPUT DETAILS

CONVERTIBLE



03/00

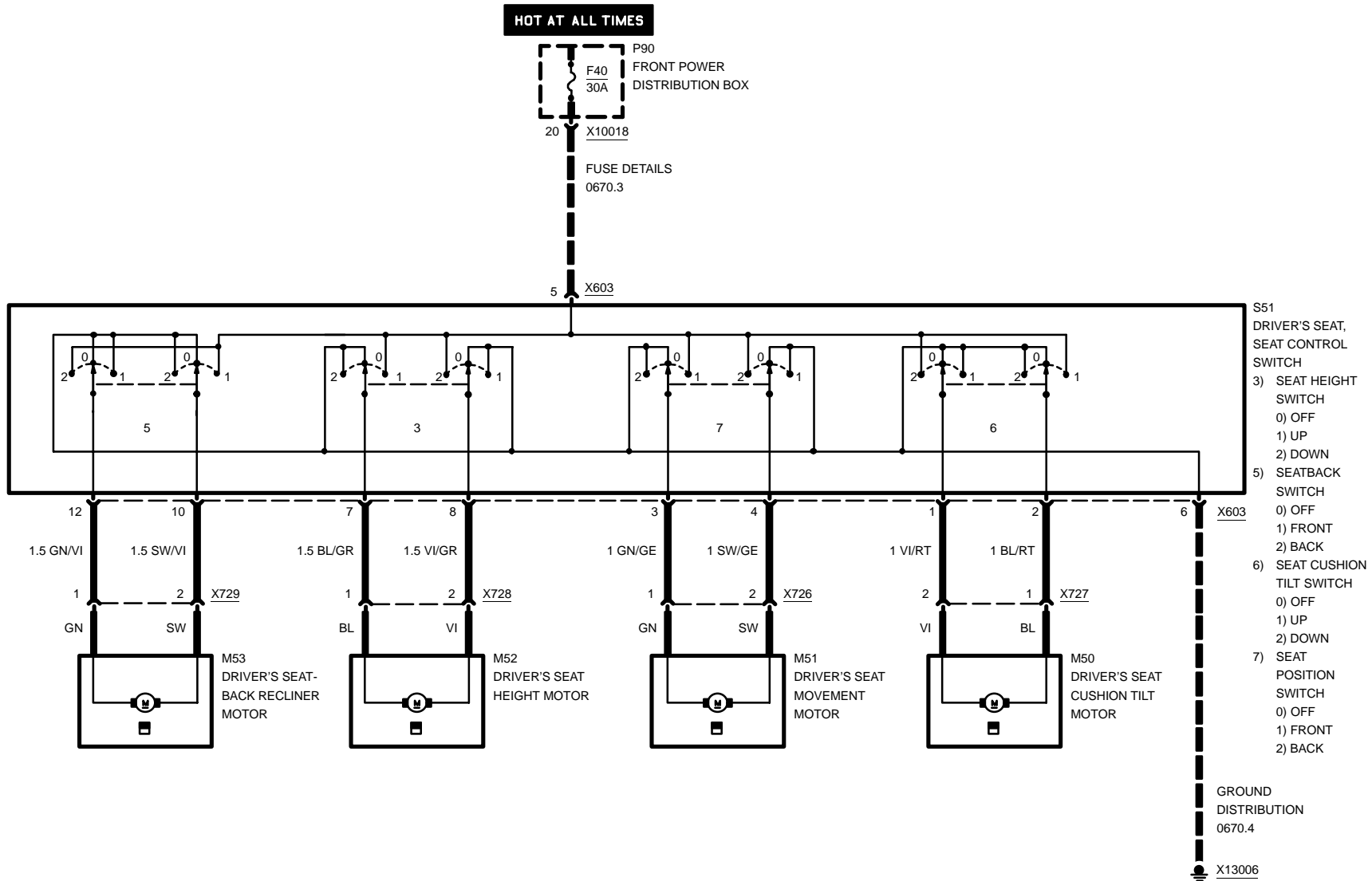
5133.1-04

1999



5200.0 POWER SEATS

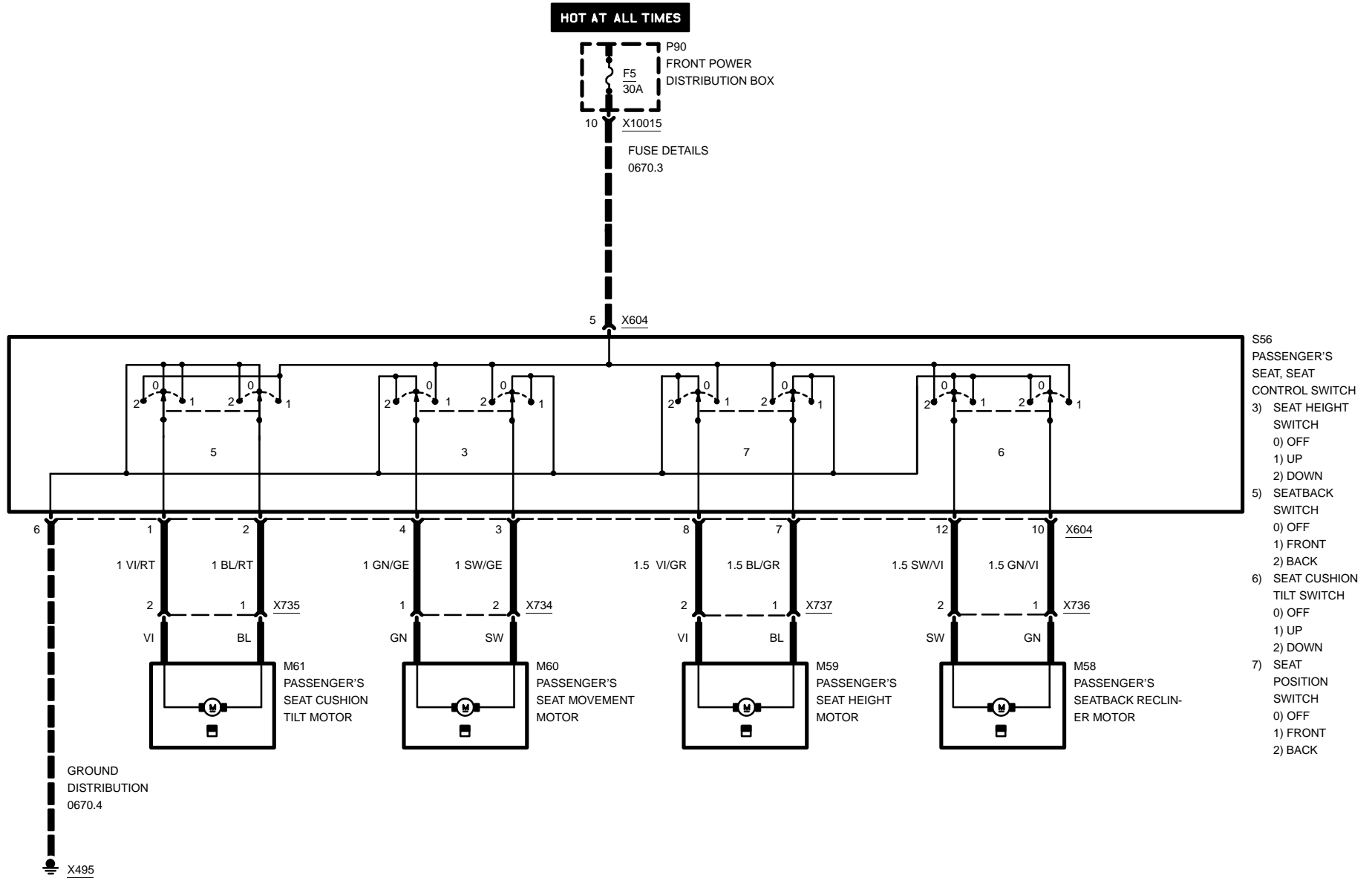
DRIVER'S SEAT





POWER SEATS

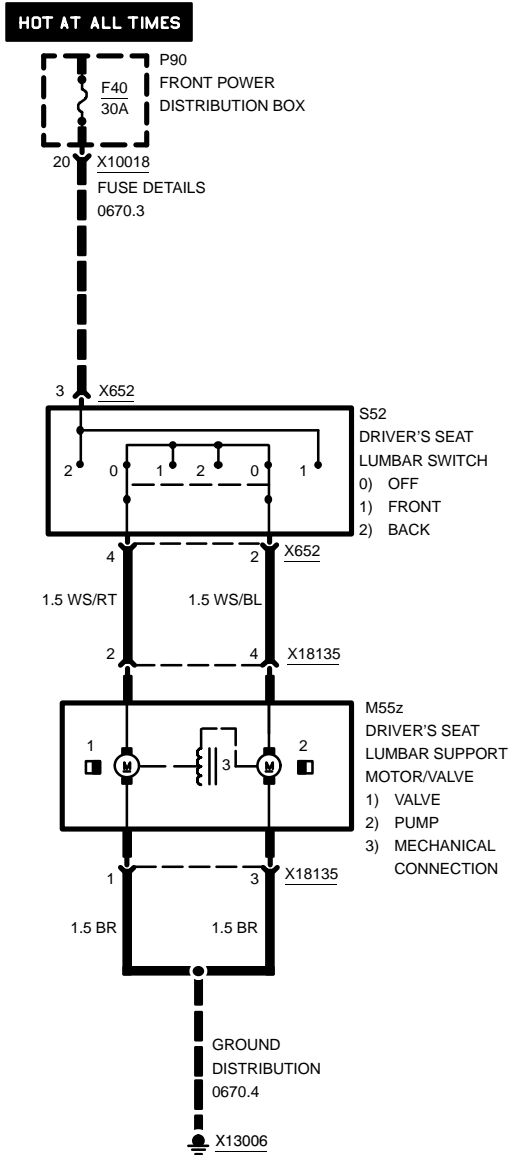
PASSENGER'S SEAT





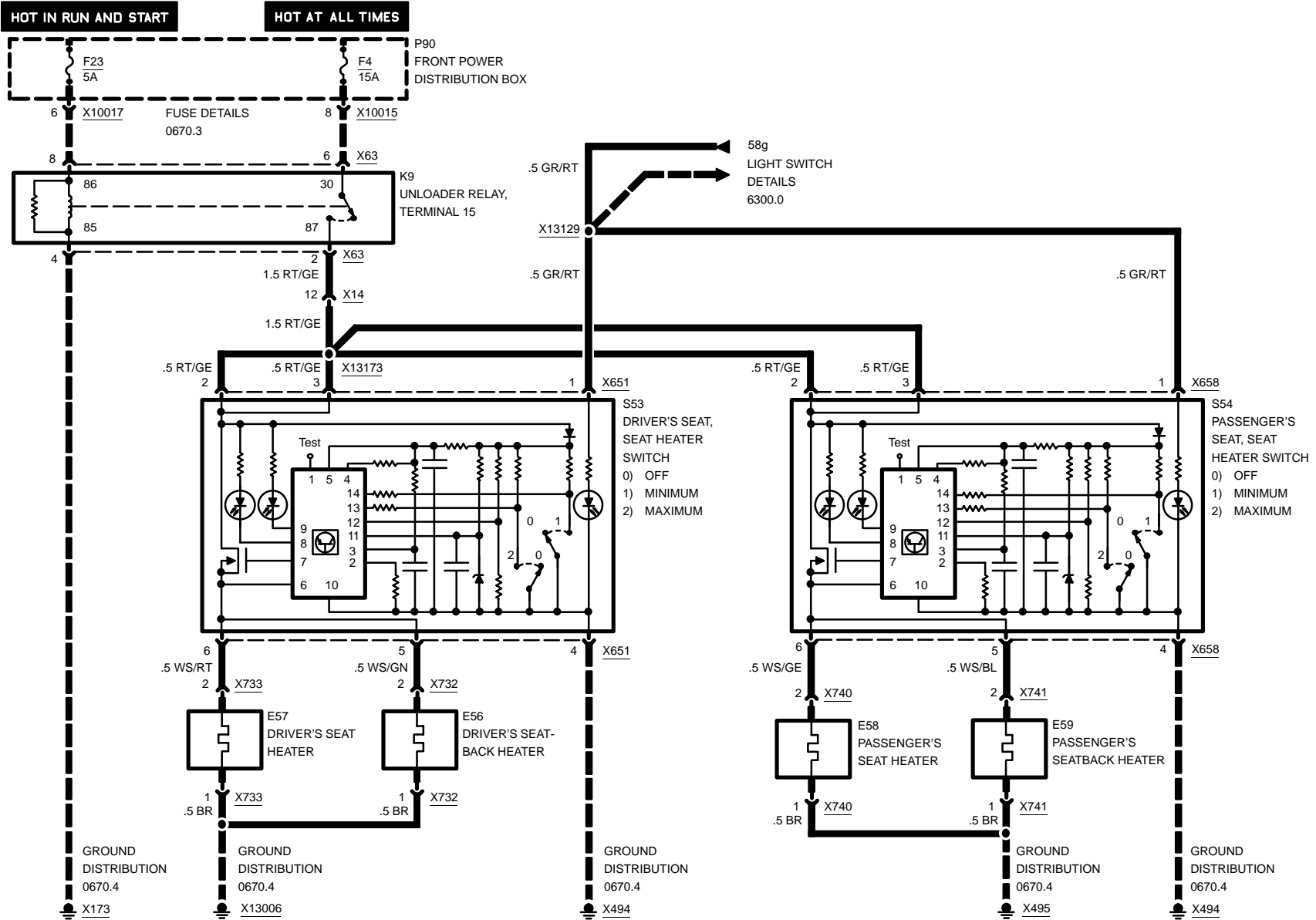
POWER SEATS AND LUMBAR SUPPORT

DRIVER'S SIDE – LUMBAR SUPPORT





5203.0 HEATED SEATS



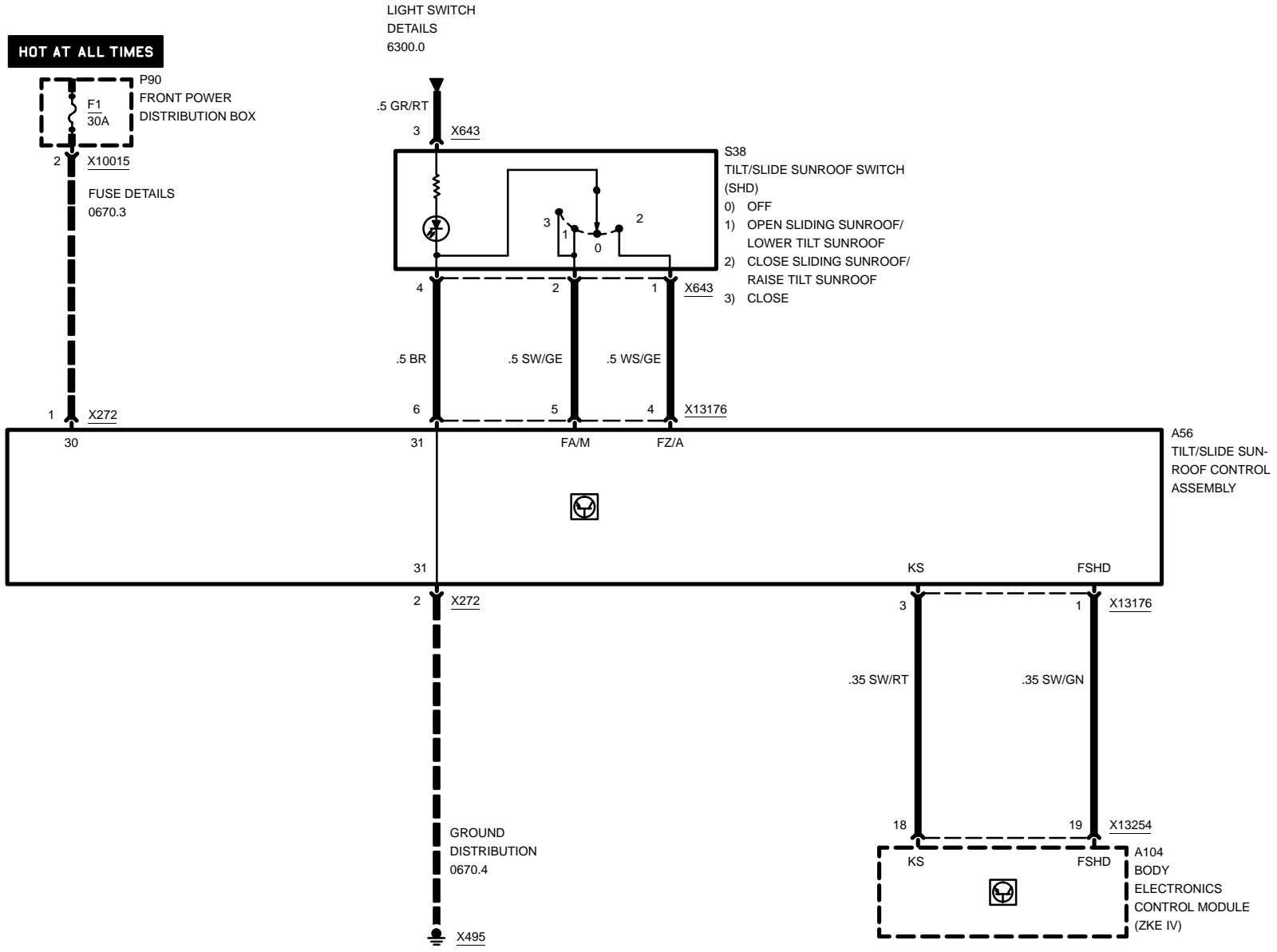
03/00

5203.0-00

1999



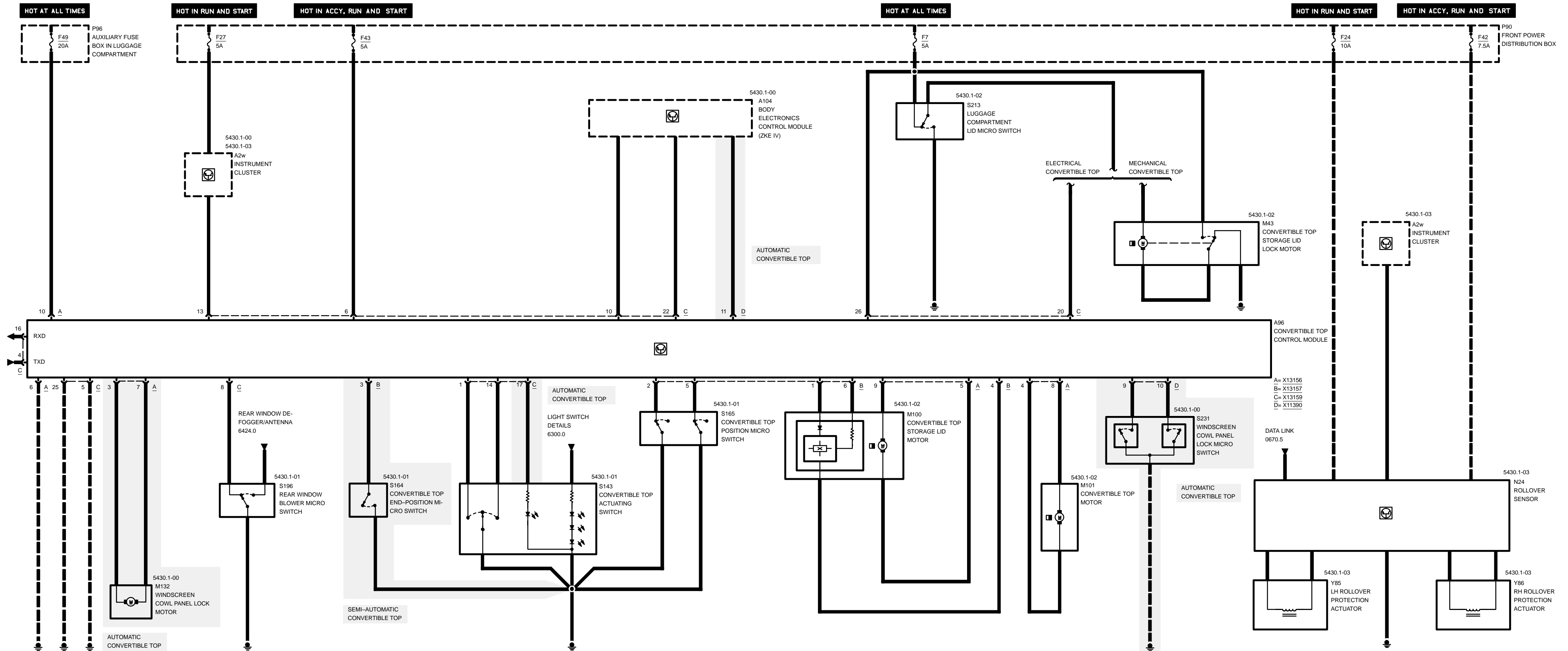
5410.1 POWER TILT/SLIDE SUNROOF (SHD)

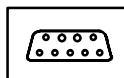


03/00

5410.1-00

1999





Pin Assignments

A = X13156	10 Pins, black
B = X13157	6 Pins, black
C = X13159	26 Pins, black
D = X11390	12 Pins, black

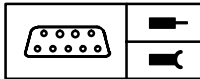
X13156

Pin	Type	Description/Function	Connection
1		Not used	
2		Not used	
3	E/A	Activate engine	Windscreen cowl panel locking (automatic convertible top)
4	E/A	Control signal	Convertible top motor
5	E/A	Control signal	Convertible top storage lid motor
6	M	Ground	Ground
7	E/A	Activate engine	Windscreen cowl panel locking (automatic convertible top)
8	E/A	Control signal	Convertible top motor
9	E/A	Control signal	Convertible top storage lid motor
10	E	Plus supply 12V	Fuse 49

X13157

Pin	Type	Description/Function	Connection
1	A	Plus supply	Position sensor (convertible top storage lid motor)
2	E	Position signal	Convertible top position micro switch
3	E	Position signal	Convertible top end position micro switch (semi-automatic convertible top)
4	E	Component ground	Position sensor (convertible top storage lid motor)
5	E	Position signal	Convertible top position micro switch
6	E	Control signal	Position sensor (convertible top storage lid motor)

E = Input, A = Output, M = Ground

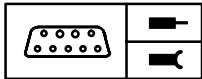


Pin Assignments

X13159

Pin	Type	Description/Function	Connection
1	E	Top open signal	Convertible top actuating switch
2		Not used	
3		Not used	
4	E/A	TxD data signal	Data link connector
5	M	Ground	Hard top connector 1
6	E	Power supply	Front power distribution box
7		Not used	
8	E	Rear window blower signal	Rear window blower micro switch
9		Not used	
10	A	Data signal	Body electronics control module
11		Not used	
12		Not used	
13	A	Speed signal	Instrument cluster
14	E	Top closed signal	Convertible top actuating switch
15		Not used	
16	A	RxD data signal	Data link connector
17	A	LED	Convertible top actuating switch
18		Not used	
19		Not used	
20	E	Trunk lid signal	Trunk lid micro switch
21		Not used	
22	A	Data signal	Body electronics control module
23		Not used	
24		Not used	
25	M	Ground	Ground
26	E	Power supply	Front power distribution box

E = Input, A = Output, M = Ground



Pin Assignments

X11390

Pin	Type	Description/Function	Connection
1		Not used	
2		Not used	
3		Not used	
4		Not used	
5		Not used	
6		Not used	
7		Not used	
8		Not used	
9	E/A	Windscreen cowl panel locked	Windscreen cowl panel lock microswitch (automatic convertible top)
10	E/A	Windscreen cowl panel unlocked	Windscreen cowl panel UNLOCKED (automatic convertible top)
11	E/A	Comfort closing	Body electronics control module (ZKE IV) (automatic convertible top)
12		Not used	

E = Input, A = Output, M = Ground

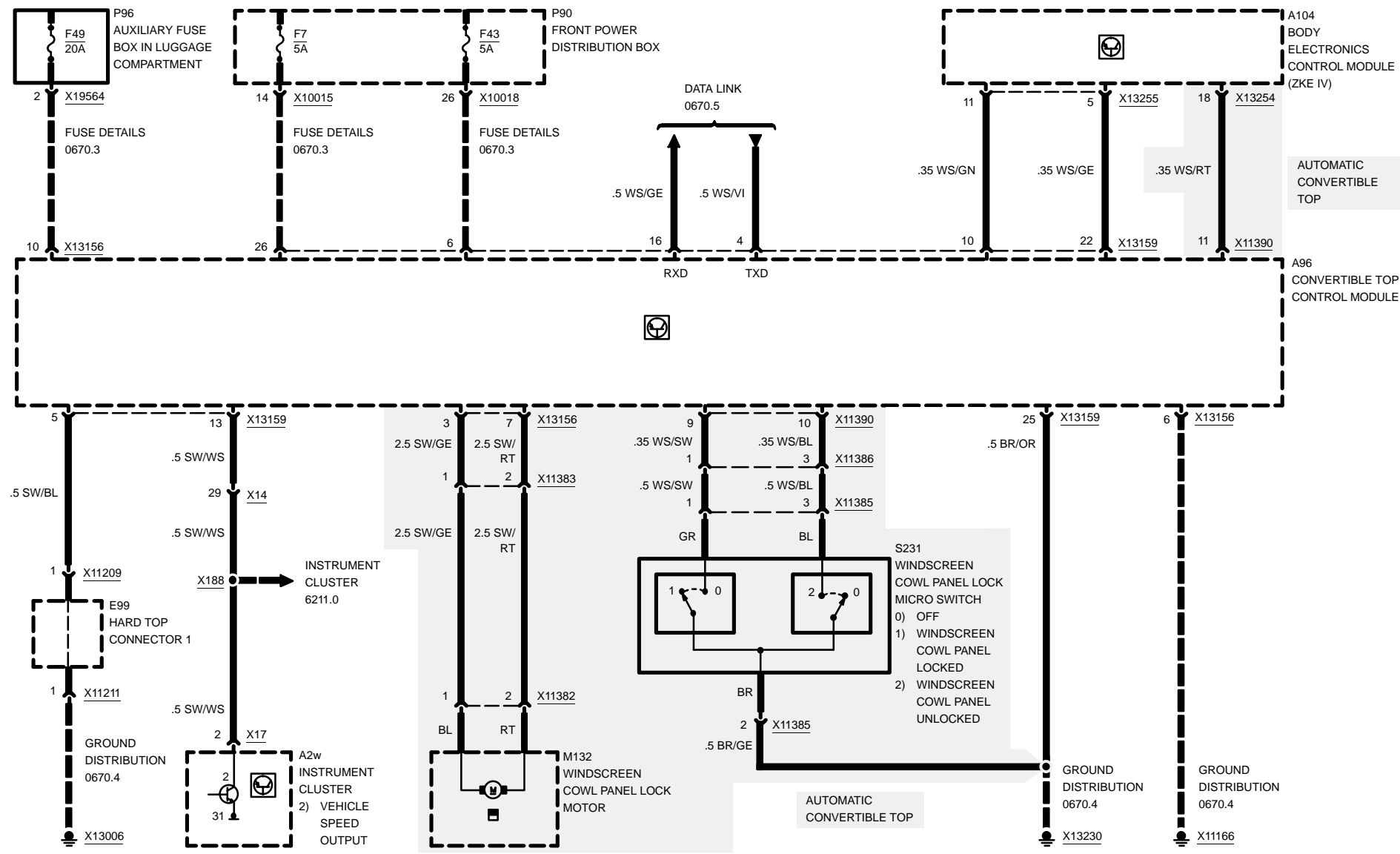


ELECTRICAL CONVERTIBLE TOP

HOT AT ALL TIMES

HOT AT ALL TIMES

HOT IN ACCY, RUN AND START



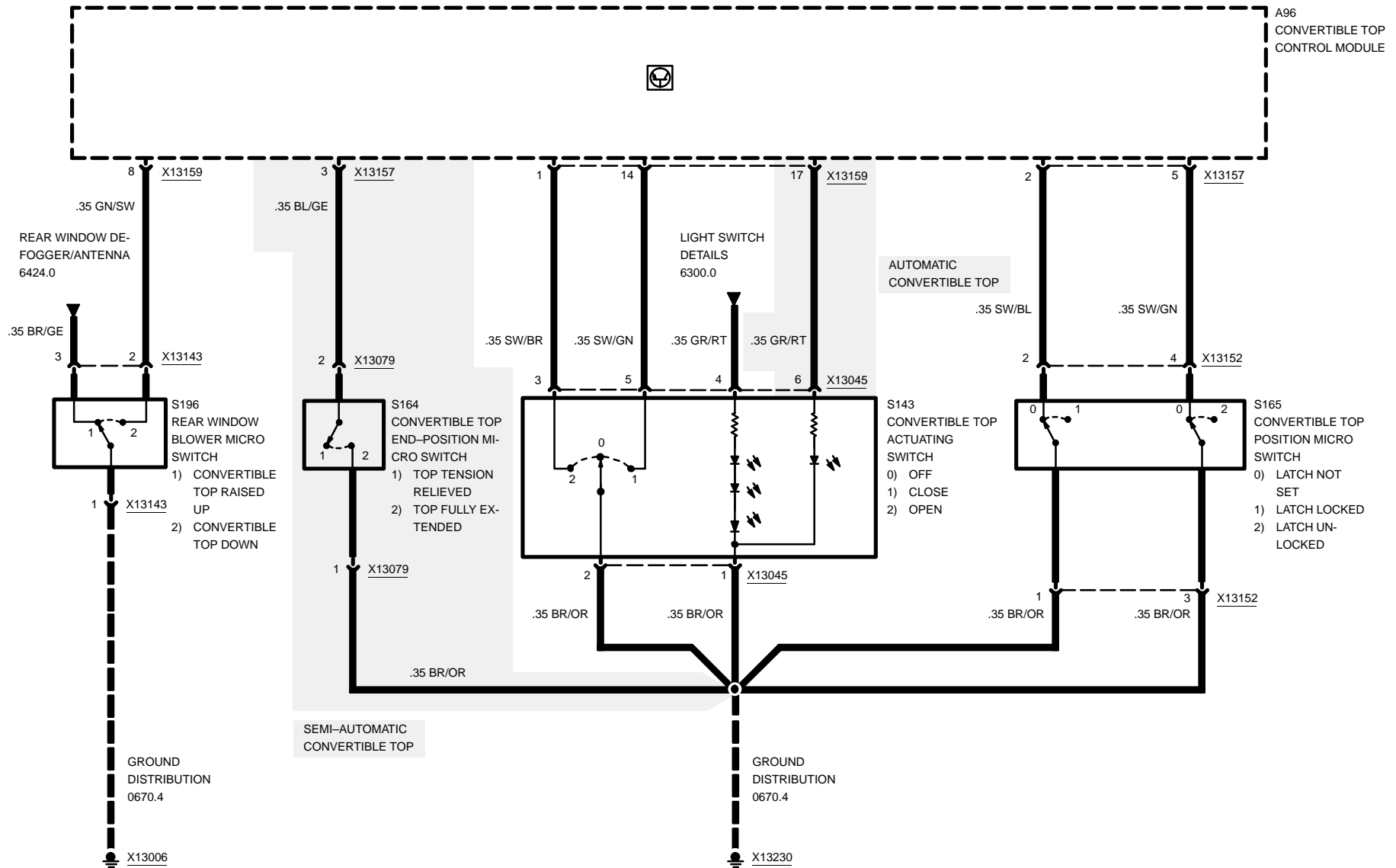
03/00

5430.1-00

1999



ELECTRICAL CONVERTIBLE TOP



03/00

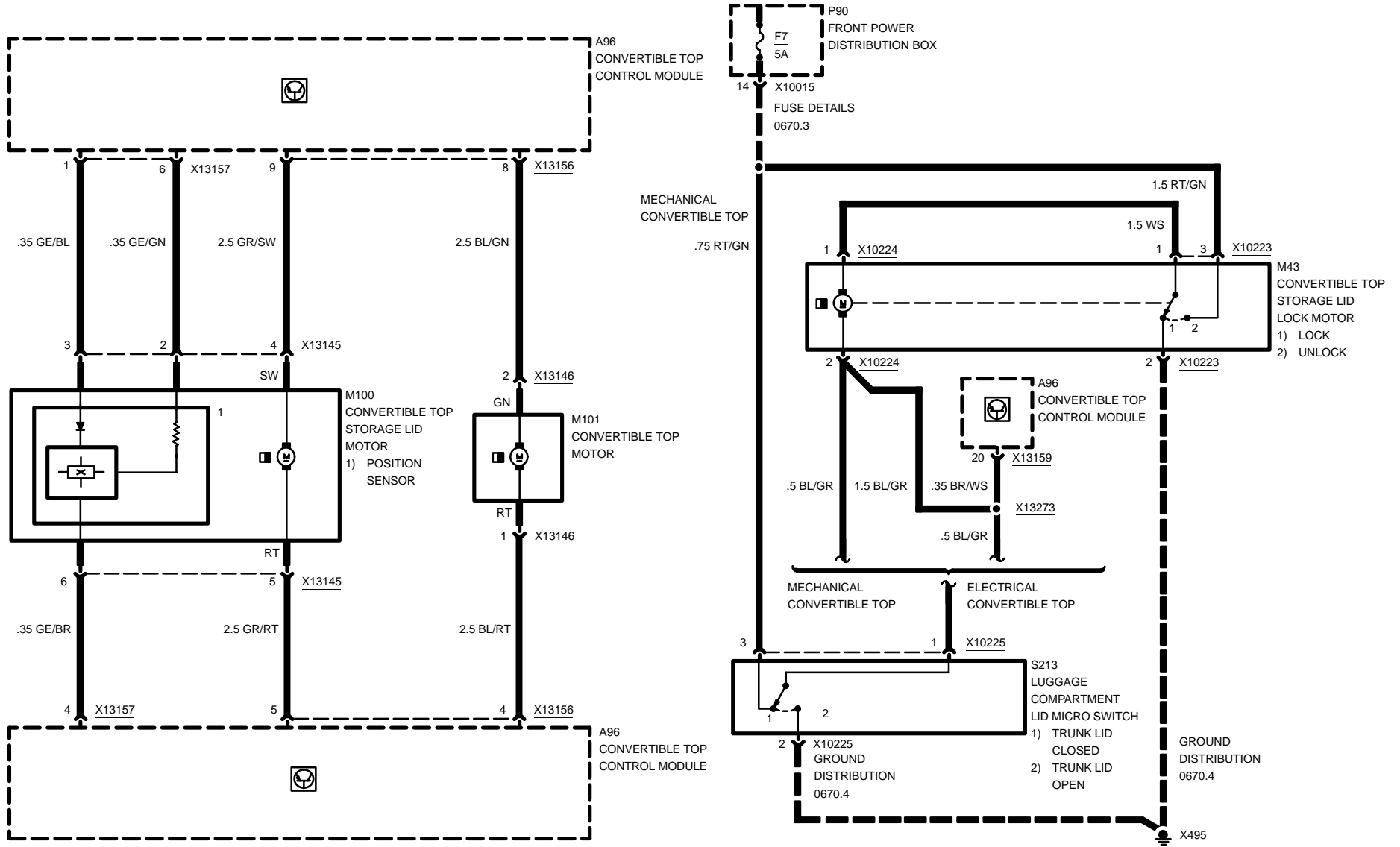
5430.1-01

1999



ELECTRICAL CONVERTIBLE TOP

HOT AT ALL TIMES



03/00

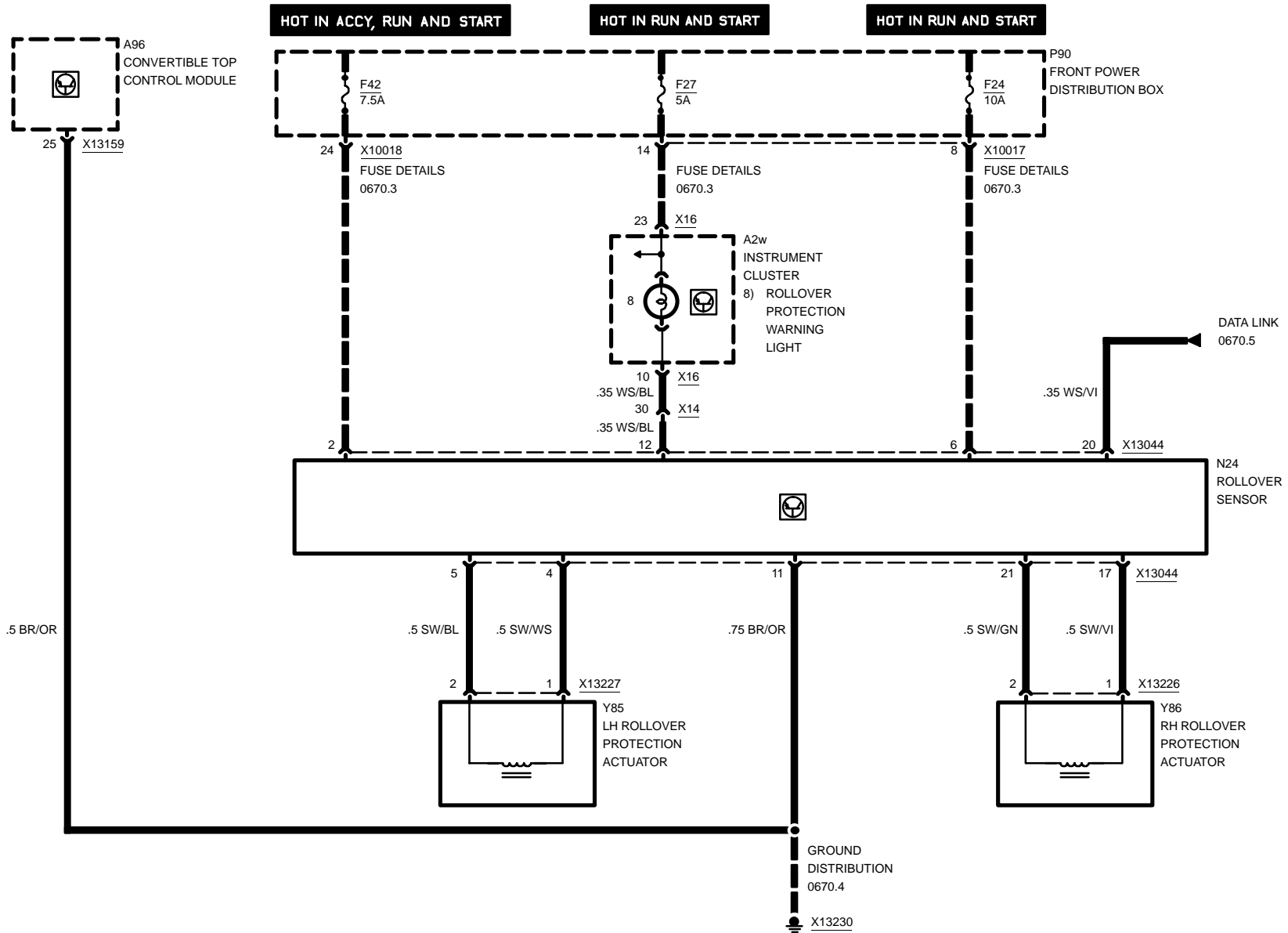
5430.1-02

1999



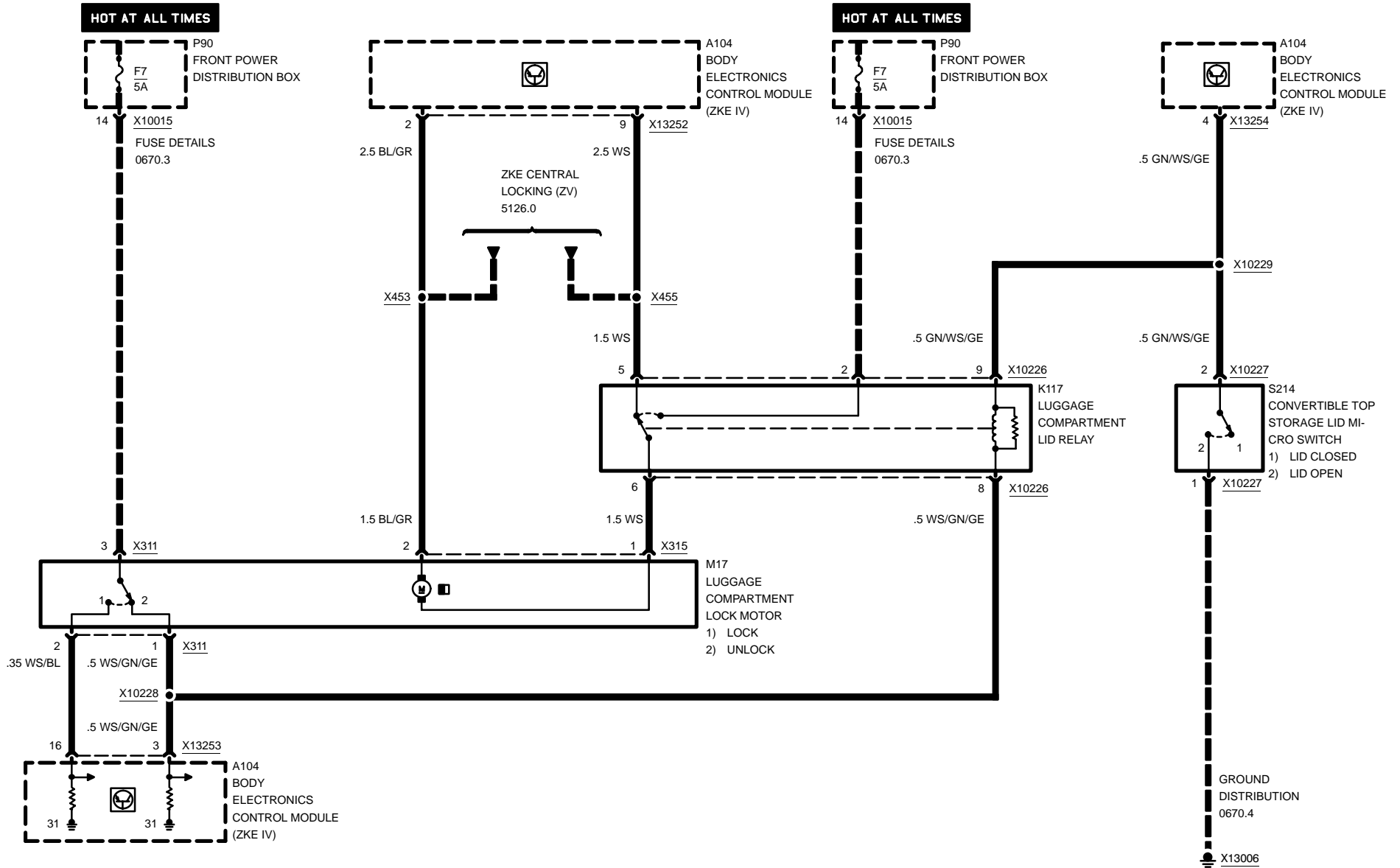
ELECTRICAL CONVERTIBLE TOP

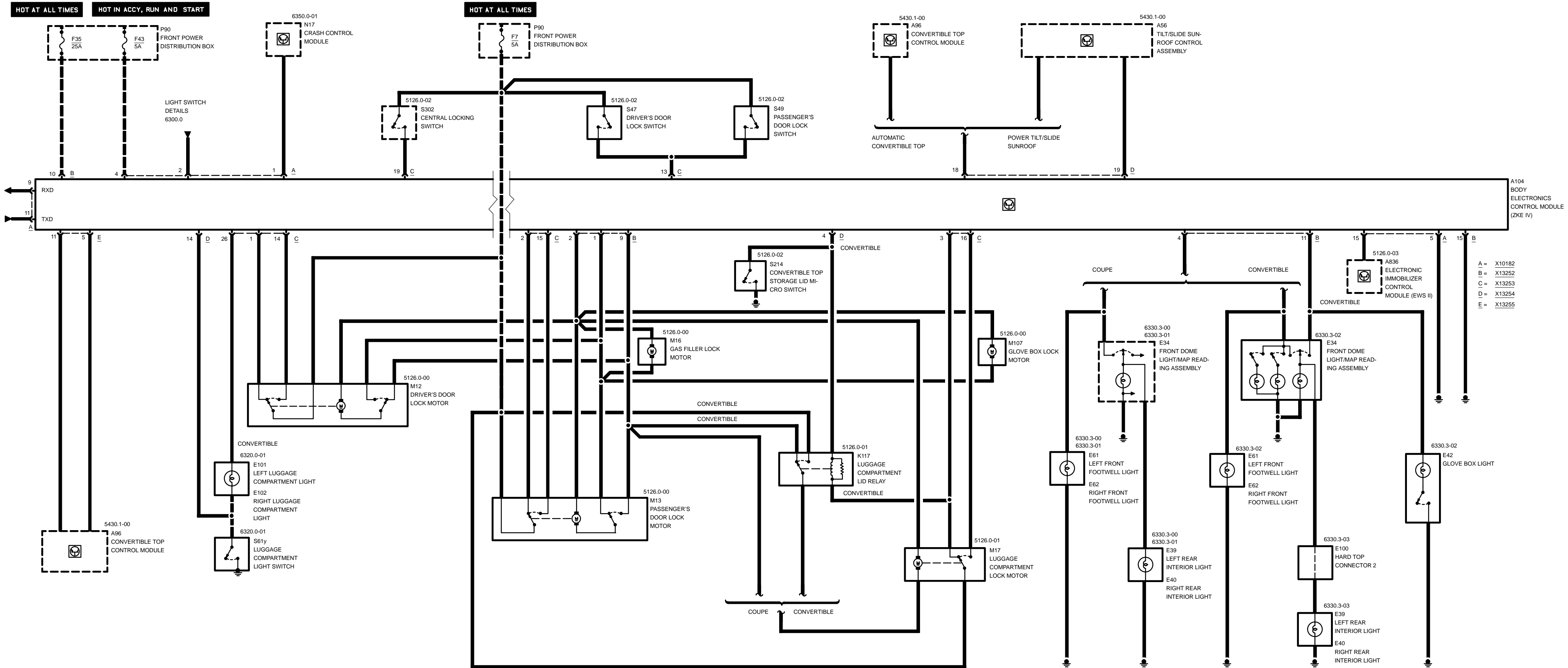
ROLLOVER SENSOR

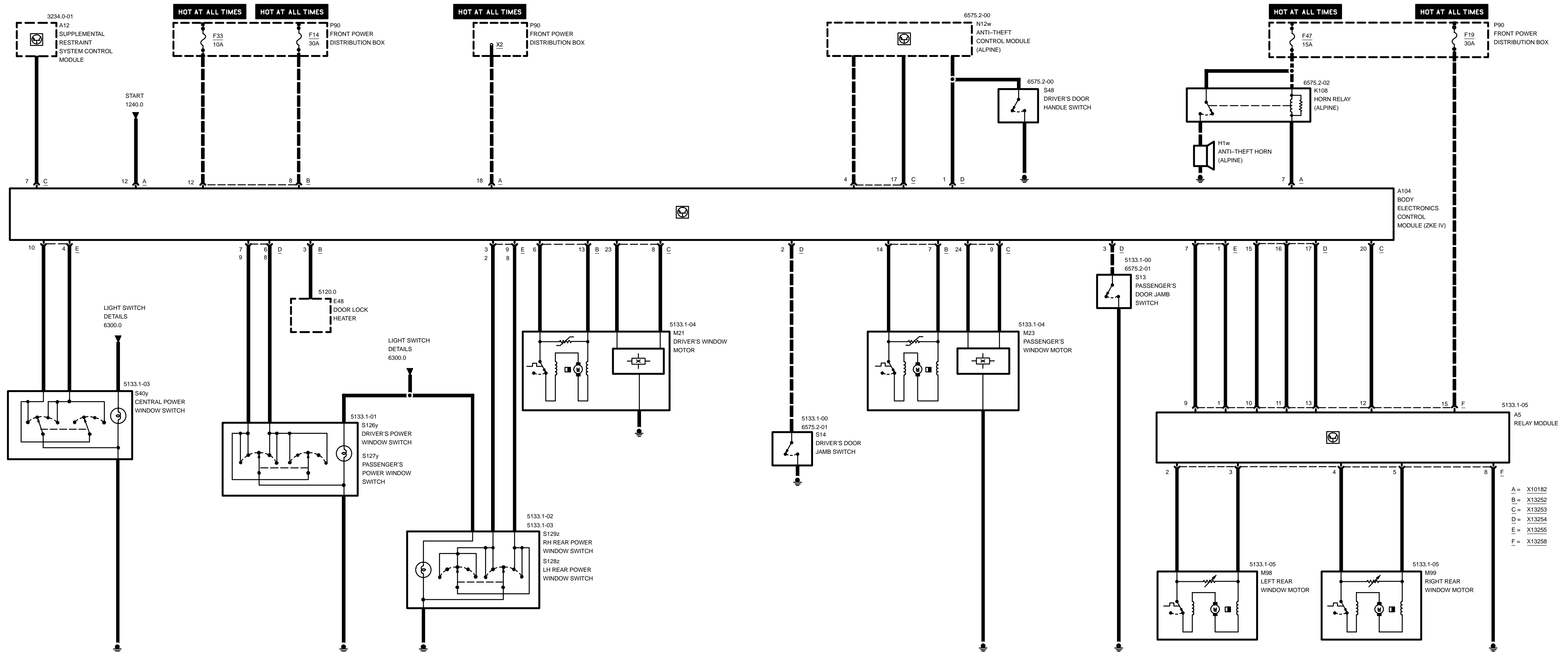




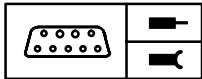
ELECTRICAL CONVERTIBLE TOP







- A = X10182
- B = X13252
- C = X13253
- D = X13254
- E = X13255
- F = X13258



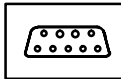
Pin Assignments

E = X10182	18 Pins, black
F = X13252	15 Pins, black
G = X13253	26 Pins, yellow
H = X13254	26 Pins, green
I = X13255	26 Pins, nature
J = X13258	15 Pins, white

X10182

Pin	Type	Description/Function	Connection
1	E	Crash signal	Crash control unit
2	E	Light signal	Light switch
3		Not used	
4	E	Voltage supply, terminal R	Front power distribution box, fuse 43
5	M	Ground	Ground
6		Not used	
7	A	Activate relay	Horn relay (Alpine)
8		Not used	
9	A	Diagnosis RxD signal	Data link connector
10		Not used	
11	E/A	Diagnosis TxD signal	Data link connector
12	E	Start signal	Starter
13		Not used	
14		Not used	
15	A	Drive-away protection	Electronic immobilizer control module (EWS II)
16		Not used	
17		Not used	
18	E	Power supply	Front power distribution box

E = Input, A = Output, M = Ground



Pin Assignments

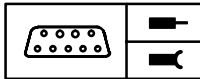
X13252

Pin	Type	Description/Function	Connection
1	E	Power lock signal	Door lock motors
2	A	Voltage supply	All lock motors
3	A	Power supply	Door lock heating
4	E	Automatic interior light signal	Interior light
5		Not used	
6	A	Voltage supply	Power window motor driver's door
7	A	Voltage supply	Power window motor passenger's door
8	E	Power supply	Front power distribution box, fuse 14
9	E	Lock signal	Lock motor & luggage compartment lid relay
10	E	Power supply	Front power distribution box, fuse 35
11	A	Voltage supply	Interior lights, engine compartment light, glove box light
12	E	Power supply	Front power distribution box, fuse 33
13	E	Motor signal	Power window motor driver's door
14	E	Motor signal	Power window motor passenger's door
15	M	Ground	Ground

X13253

Pin	Type	Description/Function	Connection
1	E	Position signal	Door lock motor driver's door
2	E	Position signal	Door lock motor passenger's door
3	E	Lock signal luggage compartment lid	Luggage compartment lid lock motor, luggage compartment lid relay
4	E	Data signal	Anti-theft system control module (Alpine)
5		Not used	
6		Not used	
7	E	Crash signal	Inertia switch
8	E	Revolution signal	Power window motor driver's door
9	E	Revolution signal	Power window motor passenger's door

E = Input, A = Output, M = Ground



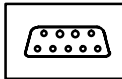
Pin Assignments

Pin	Type	Description/Function	Connection
10		Not used	
11		Not used	
12		Not used	
13	E	Central arrest signal	Door lock switches
14	E	Lock signal driver's door	Door lock motor driver's door
15	E	Lock signal passenger's door	Door lock motor passenger's door
16	E	Lock signal luggage compartment lid	Luggage compartment lid lock motor
17	E	Data signal	Anti-theft system control module (Alpine)
18		Not used	
19	E	Central locking signal	Central locking switch
20	E/A	Data signal	Relay module
21		Not used	
22		Not used	
23	A	Plus supply (revolution)	Power window's motor driver's side
24	A	Voltage supply (revolution)	Power window's motor passenger's side
25		Not used	
26	A	Voltage supply	Luggage compartment lights

X13254

Pin	Type	Description/Function	Connection
1	E	Door signal	Driver's door handle switch
2	E	Door signal	Door jamb switch driver's door
3	E	Door signal	Door jamb switch passenger's door
4	E	Convertible: Luggage compartment lid signal	Luggage compartment lid switch/luggage compartment lid relay
5		Not used	
6	E	OPEN signal	Power window switch driver's door
7	E	CLOSE signal	Power window switch driver's door
8	E	OPEN signal	Power window switch passenger's door
9	E	CLOSE signal	Power window switch passenger's door
10		Not used	

E = Input, A = Output, M = Ground



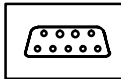
Pin Assignments

Pin	Type	Description/Function	Connection
11		Not used	
12		Not used	
13		Not used	
14	E	Luggage compartment lid signal	Luggage compartment lid switch
15	A	Data signal	Relay module
16	A	Data signal	Relay module
17	A	Data signal	Relay module
18	A	Comfort closing	Tilt/slide sunroof control unit
19	A	Comfort relay	Tilt/slide sunroof control unit
20		Not used	
21		Not used	
22		Not used	
23		Not used	
24		Not used	
25		Not used	
26		Not used	

X13255

Pin	Type	Description/Function	Connection
1	A	Data signal	Relay module
2	E	OPEN signal	Power window switch left rear
3	E	OPEN signal	Power window switch right rear
4	E	Convertible: OPEN signal	Main power window switch
5	E	Convertible: Data signal	Convertible top control module
6		Not used	
7	A	Data signal	Relay module
8	E	CLOSE signal	Power window switch left rear
9	E	CLOSE signal	Power window switch right rear
10	E	Convertible: CLOSE signal	Main power window switch
11	E	Convertible: Data signal	Convertible top control module
12		Not used	

E = Input, A = Output, M = Ground



Pin Assignments

Pin	Type	Description/Function	Connection
13		Not used	
14		Not used	
15		Not used	
16		Not used	
17		Not used	
18		Not used	
19		Not used	
20		Not used	
21		Not used	
22		Not used	
23		Not used	
24		Not used	
25		Not used	
26		Not used	

X13258

Pin	Type	Description/Function	Connection
1	E	Data signal	Central body electronic module
2	A	Voltage supply (motor)	Power window motor right rear
3	E	Signal	Power window motor right rear
4	E	Signal	Power window motor left rear
5	A	Voltage supply (motor)	Power window motor left rear
6		Not used	
7		Not used	
8	M	Ground	Ground
9	E	Data signal	Central body electronic module
10	E/A	Data signal	Central body electronic module
11	E/A	Data signal	Central body electronic module
12	E	Data signal	Central body electronic module
13	E/A	Data signal	Central body electronic module

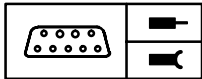
E = Input, A = Output, M = Ground



03/00

6100.0-f

1999



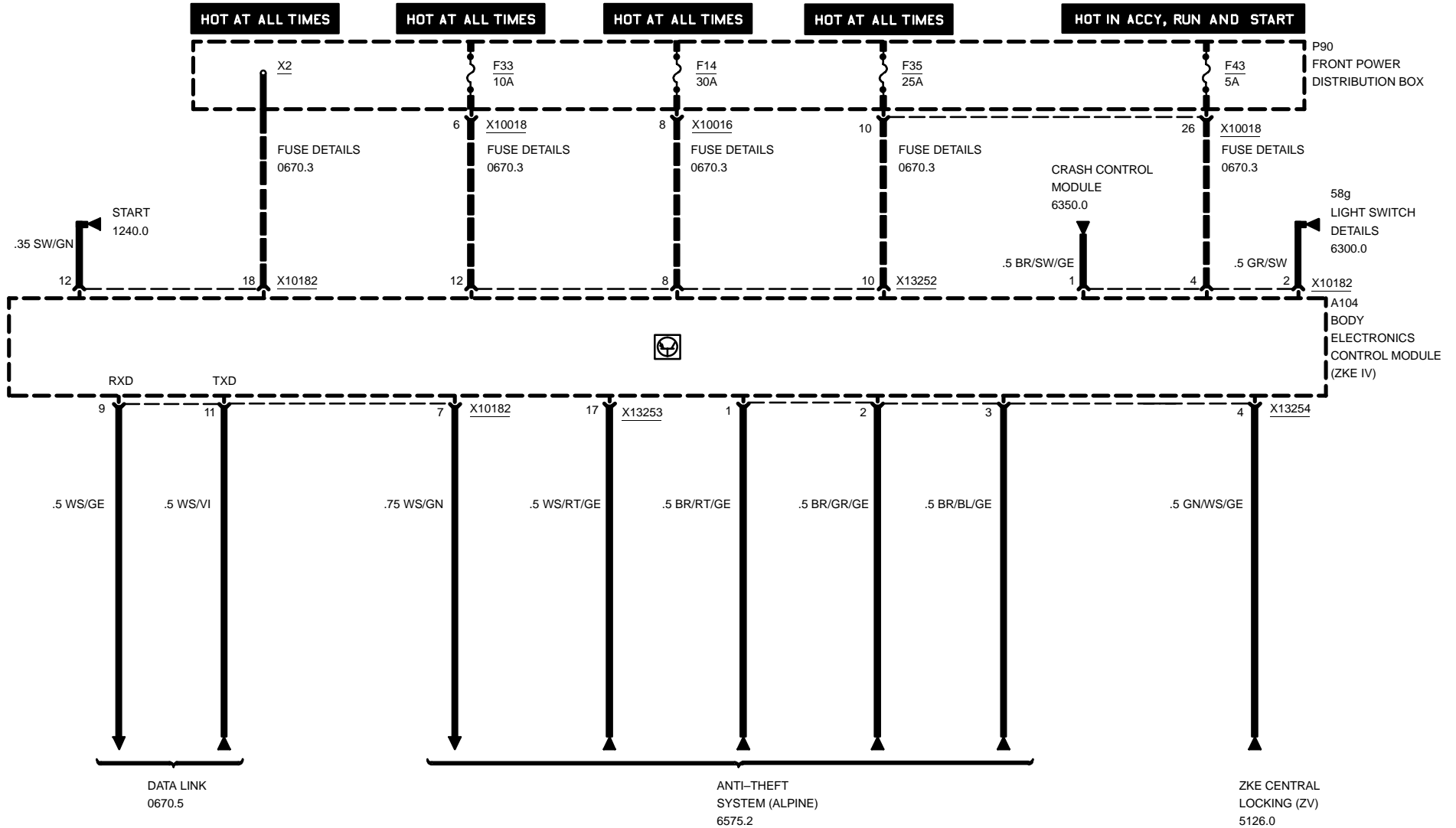
Pin Assignments

Pin	Type	Description/Function	Connection
14		Not used	
15	E	Power supply	Front power distribution box

E = Input, A = Output, M = Ground



CENTRAL BODY ELECTRONICS (ZKE IV)



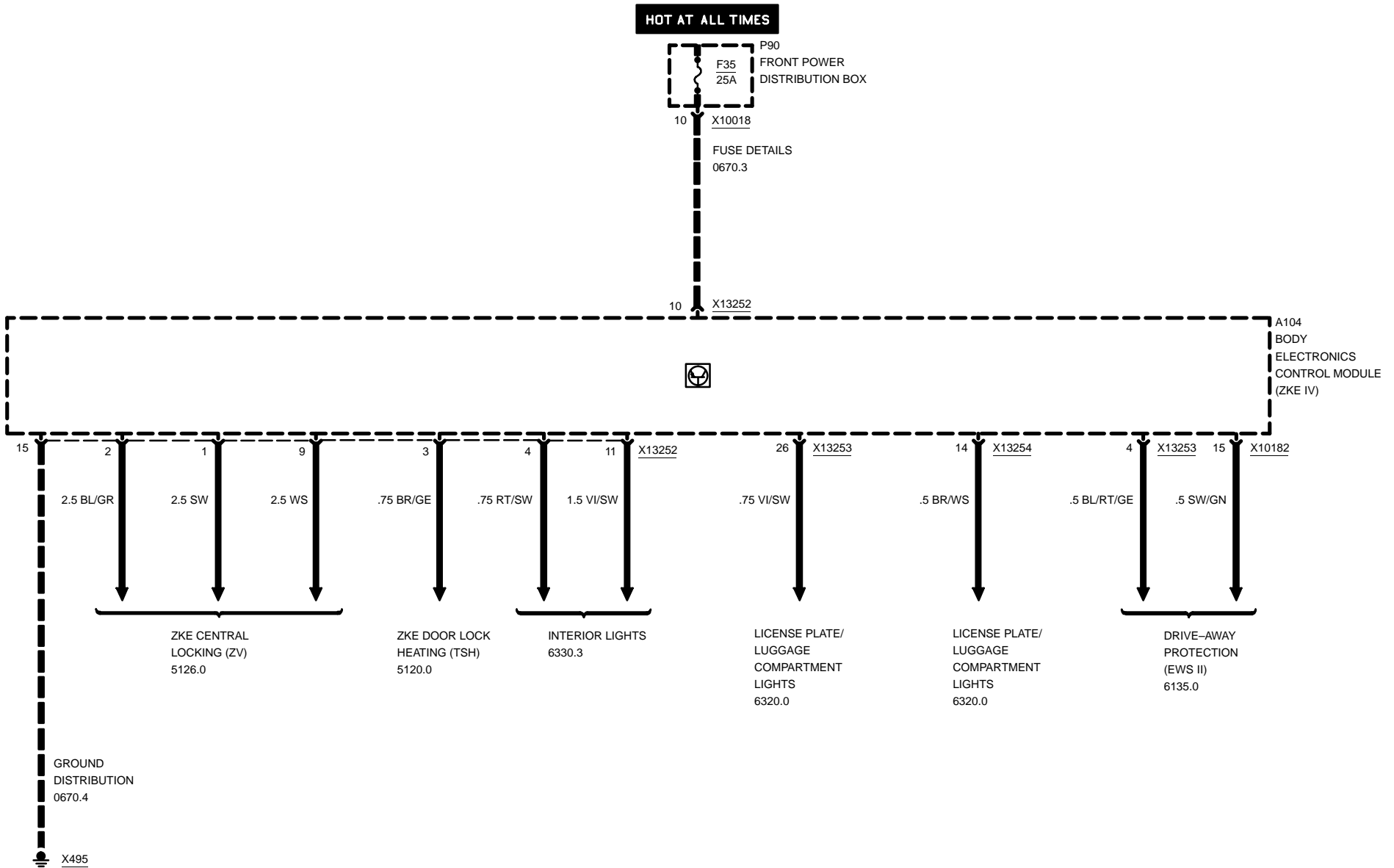
03/00

6100.0-00

1999

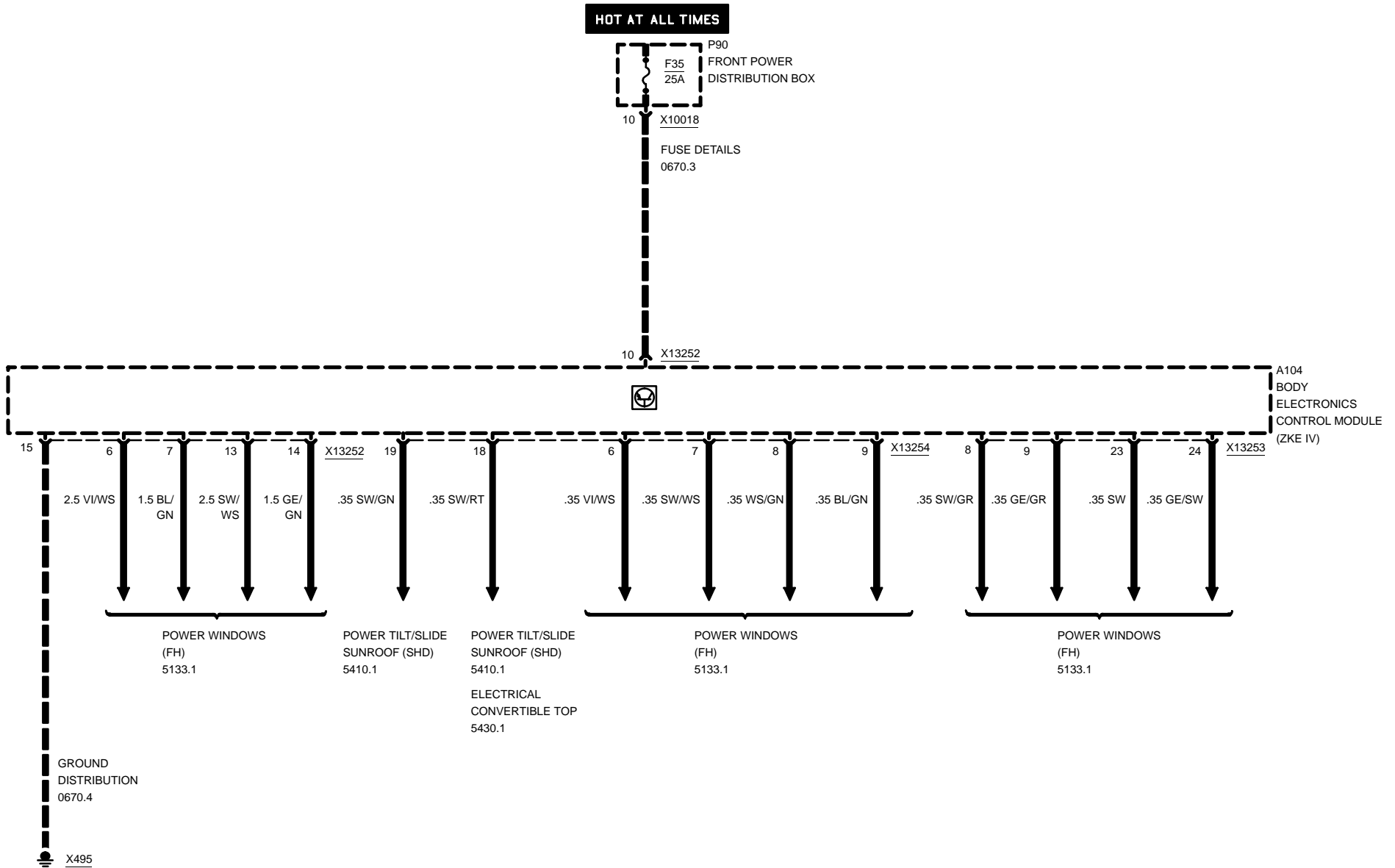


CENTRAL BODY ELECTRONICS (ZKE IV)



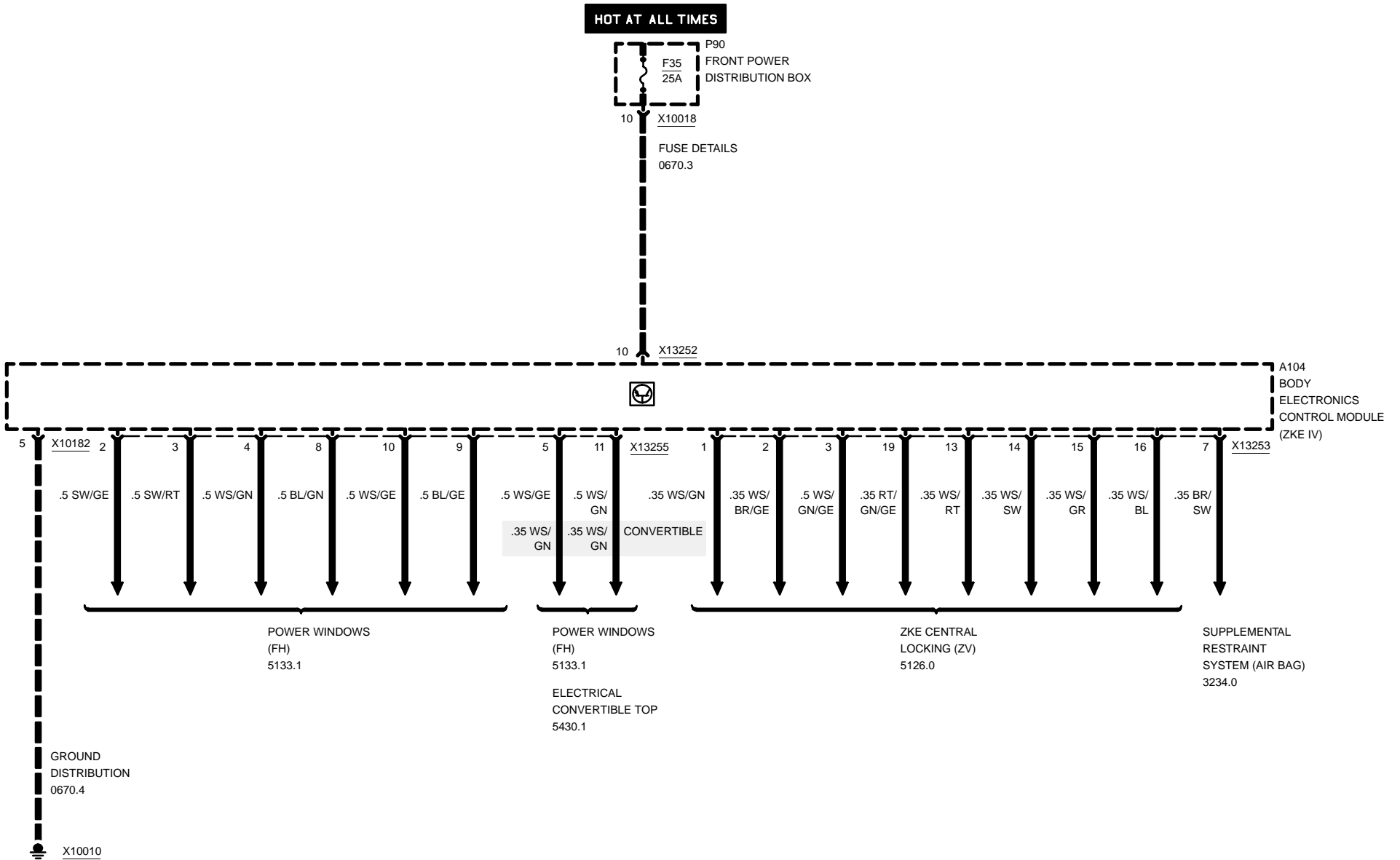


CENTRAL BODY ELECTRONICS (ZKE IV)





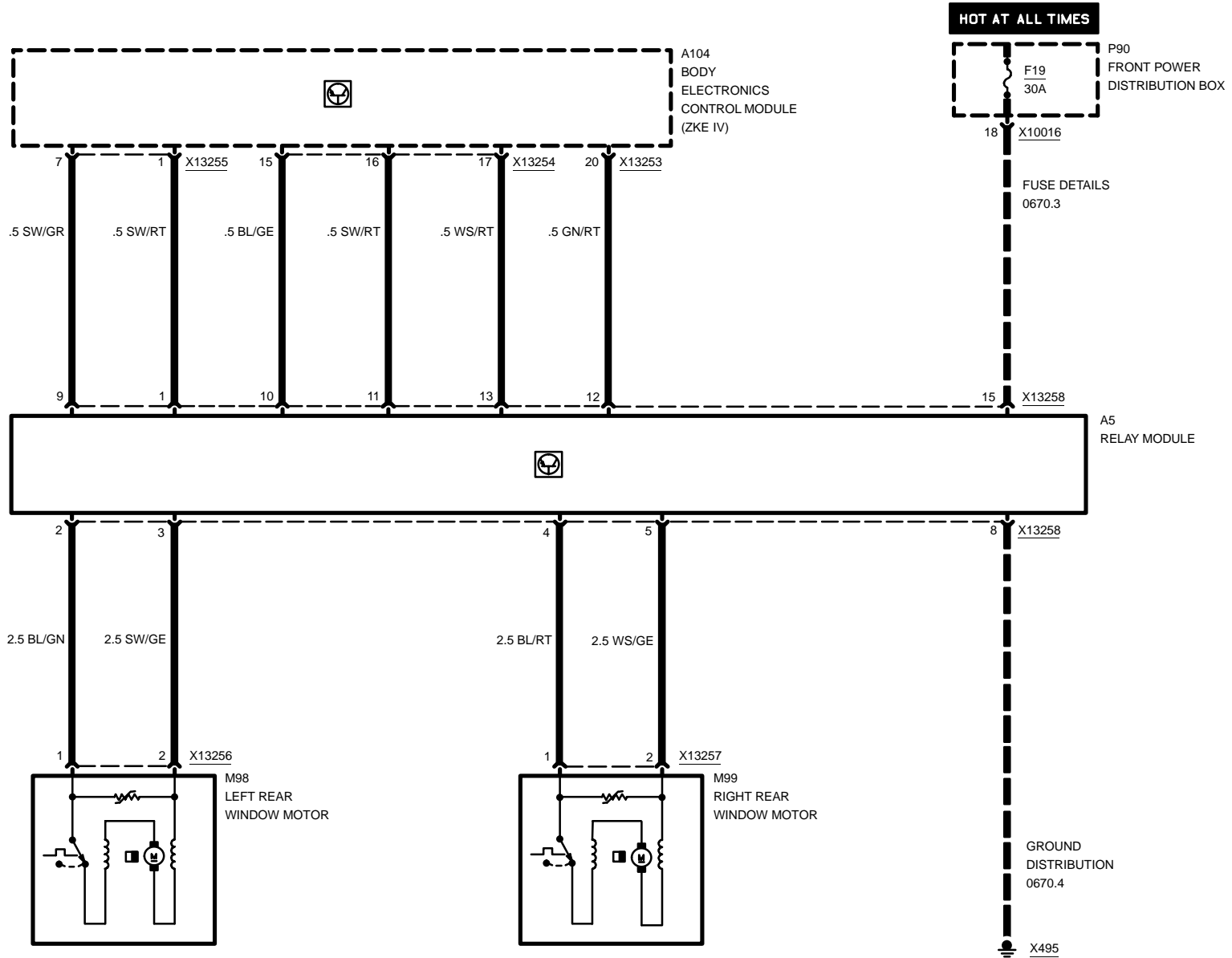
CENTRAL BODY ELECTRONICS (ZKE IV)





CENTRAL BODY ELECTRONICS (ZKE IV)

CONVERTIBLE



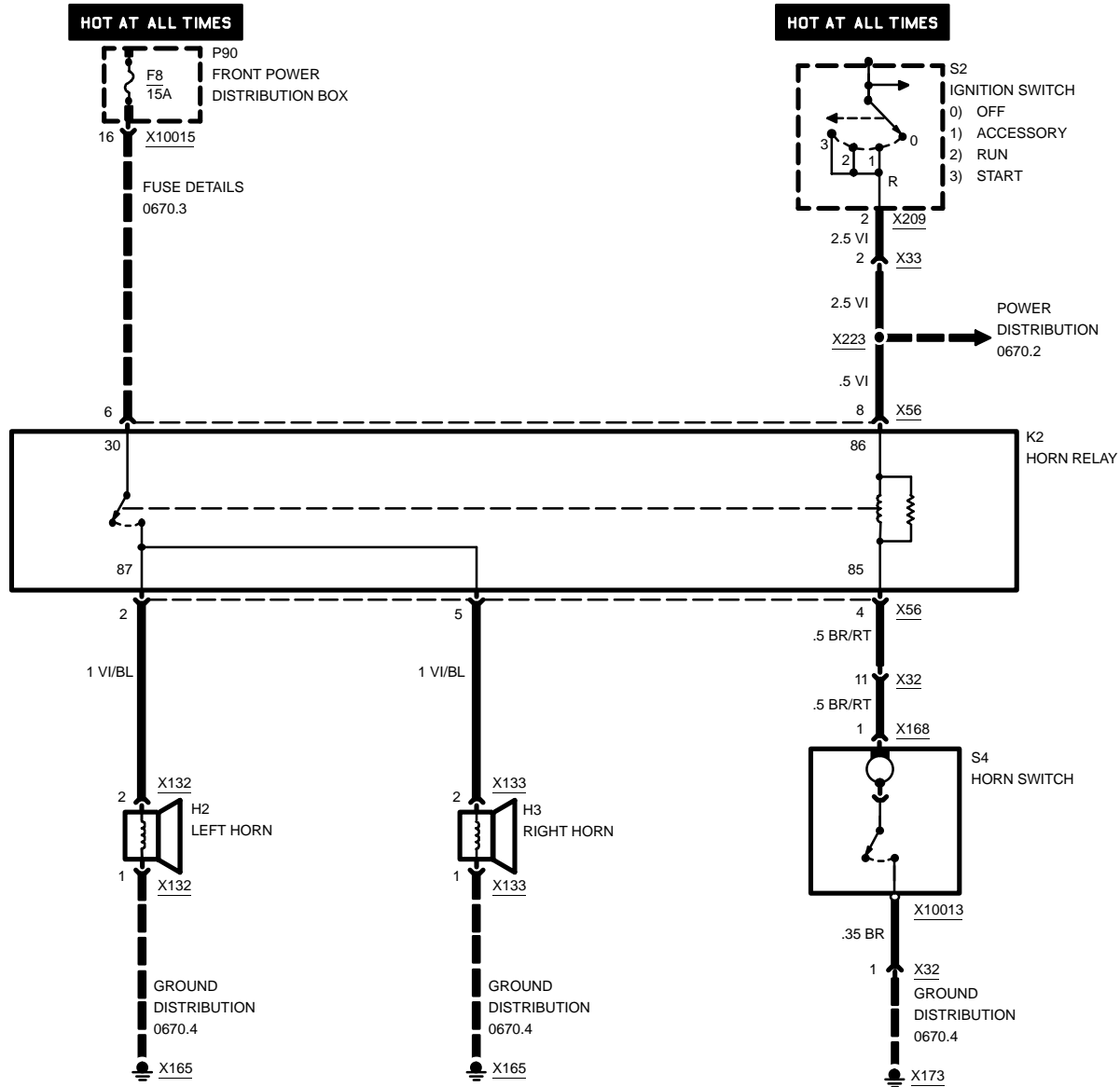
03/00

6100.0-04

1999

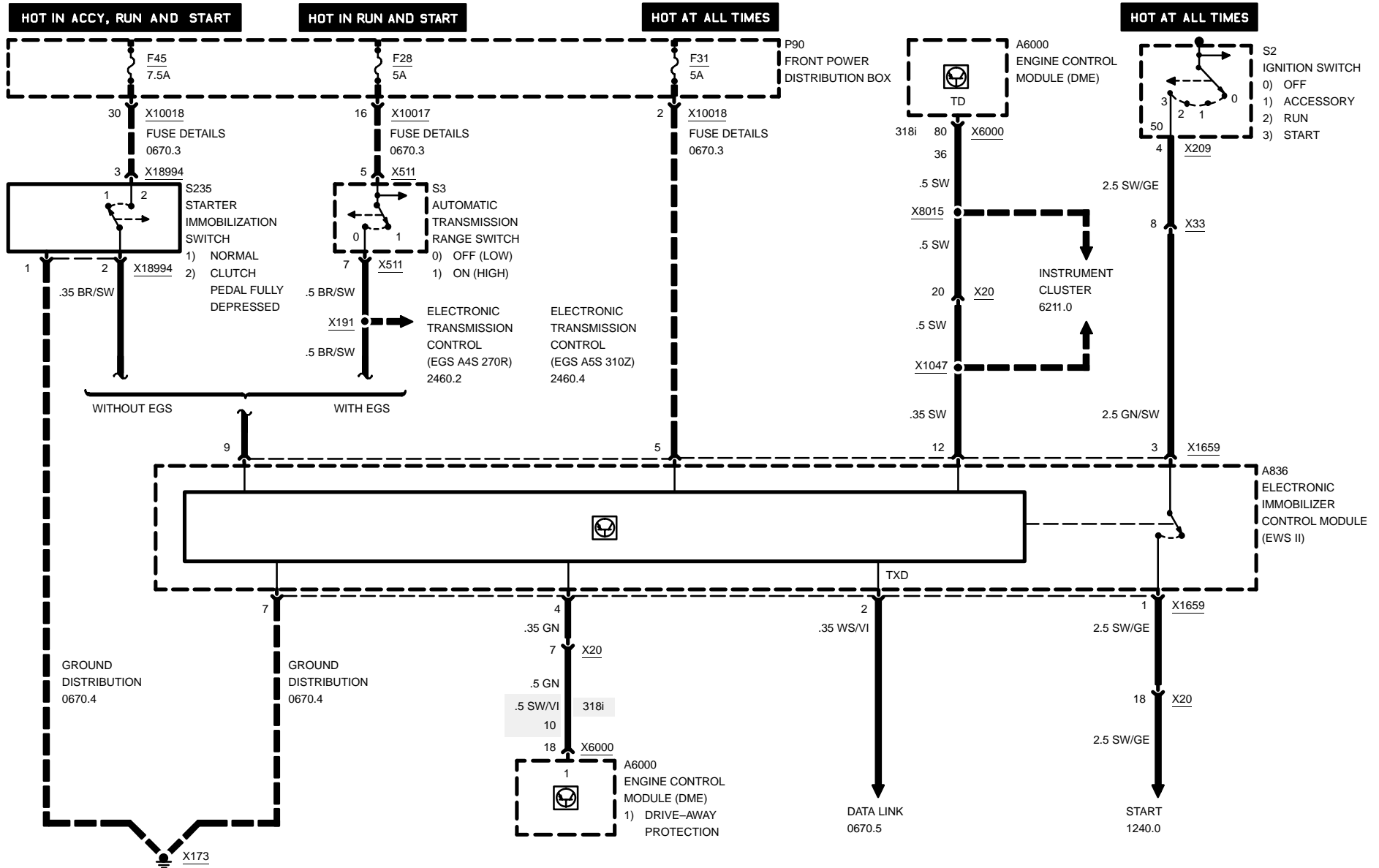


6133.0 HORN



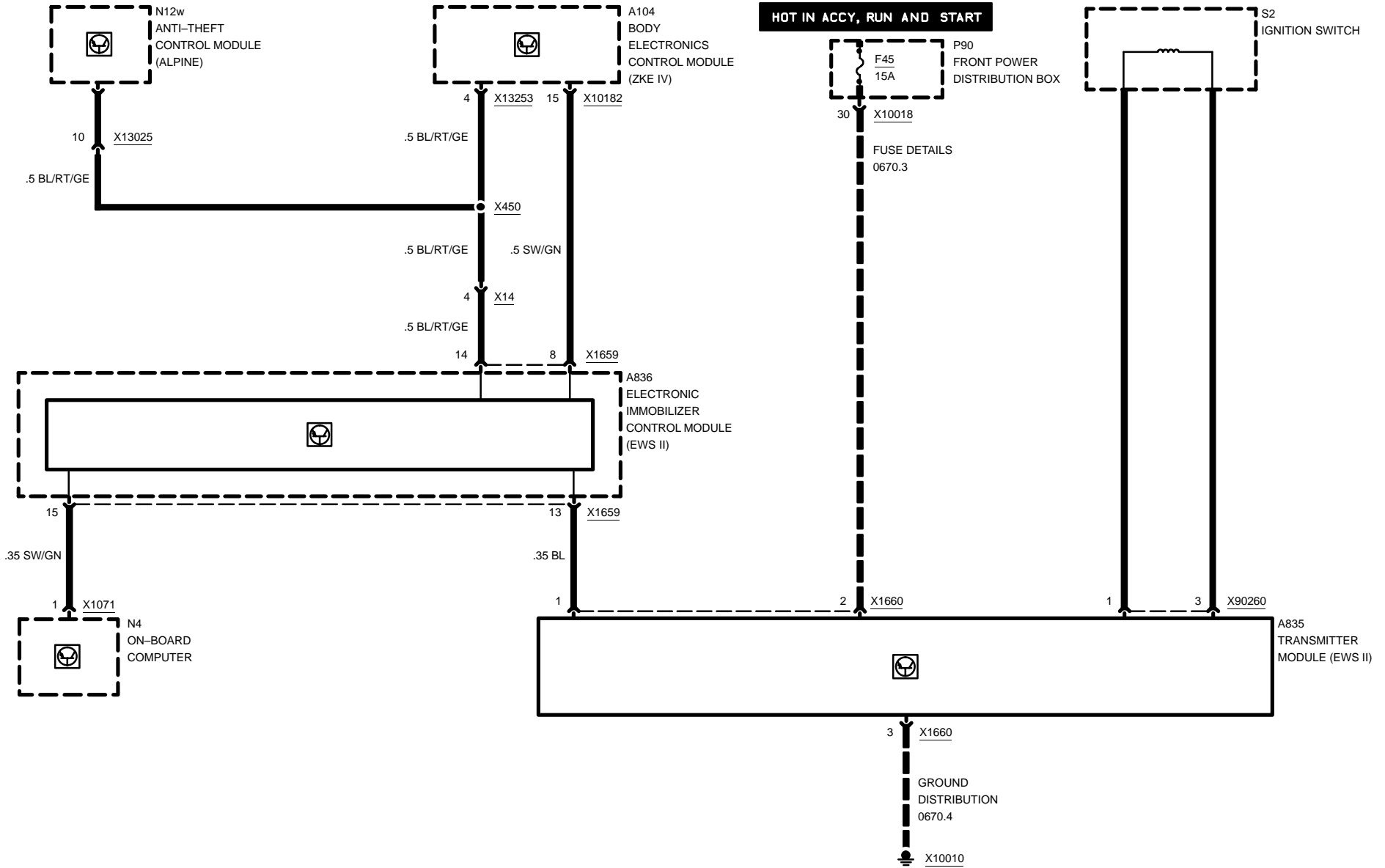


6135.0 DRIVE-AWAY PROTECTION (EWS II)





DRIVE-AWAY PROTECTION (EWS II)



03/00

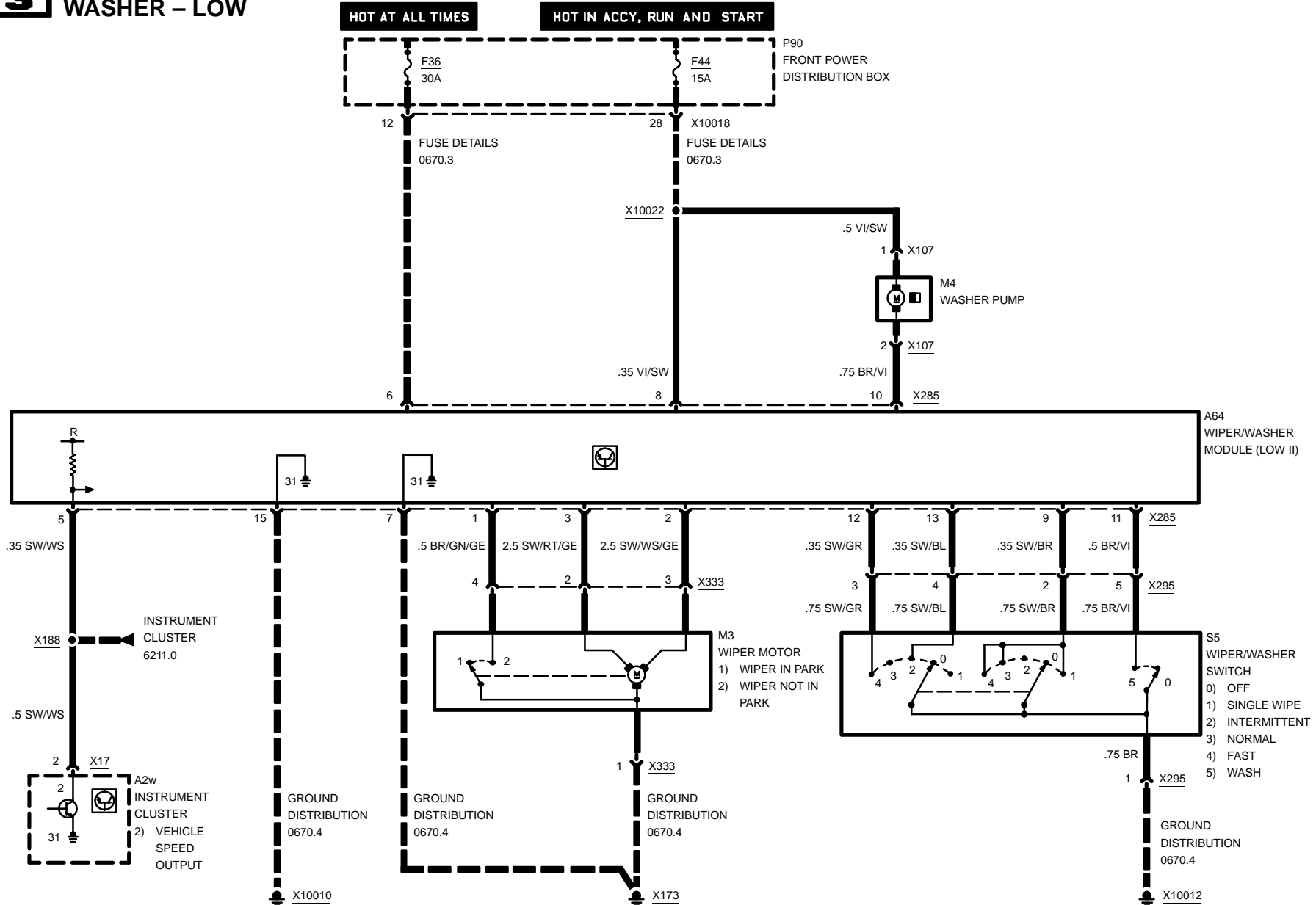
6135.0-01

1999



6160.1 WIPER/WASHER MODULE (WWM)

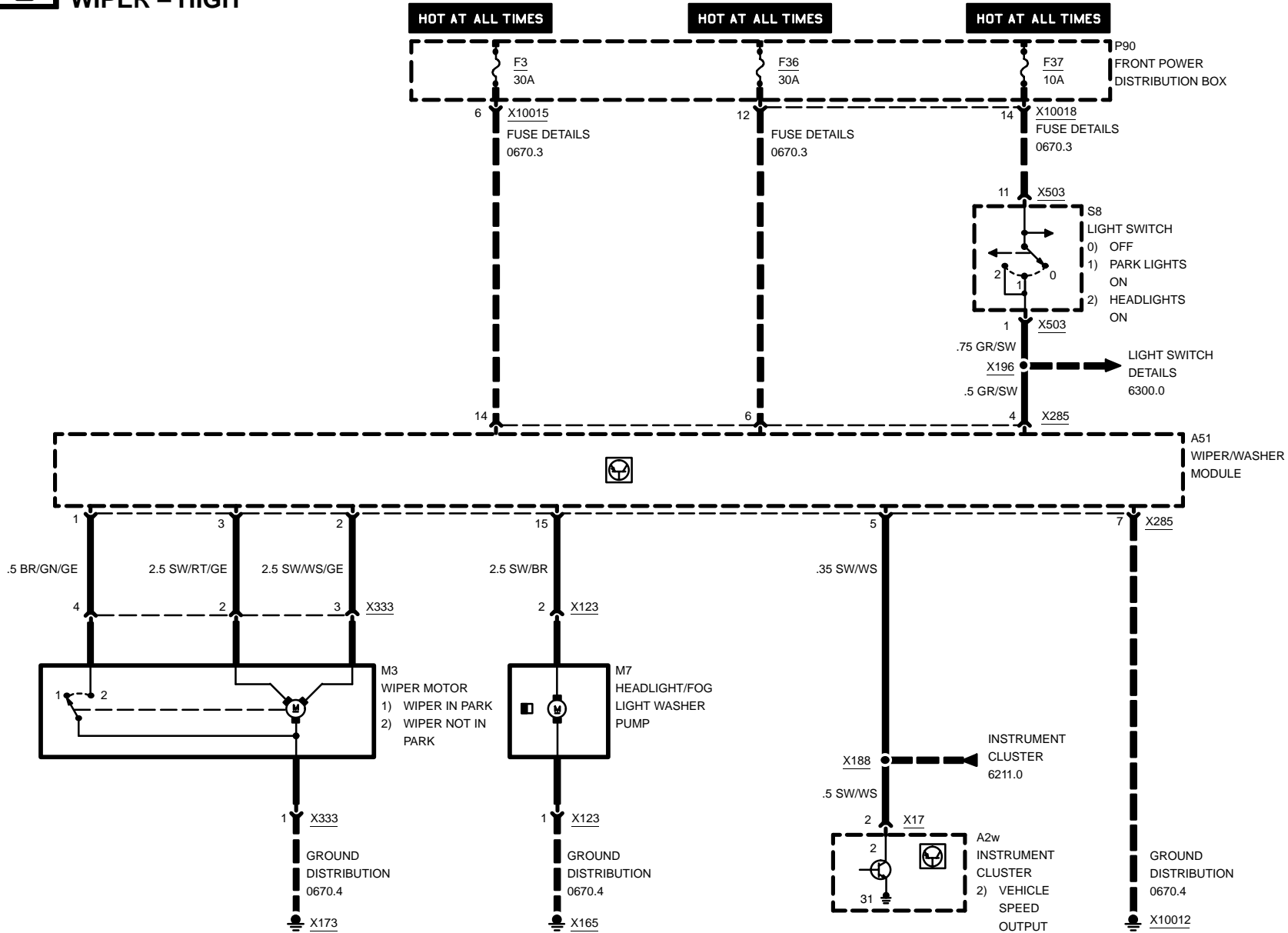
WASHER - LOW





WIPER/WASHER MODULE (WWM)

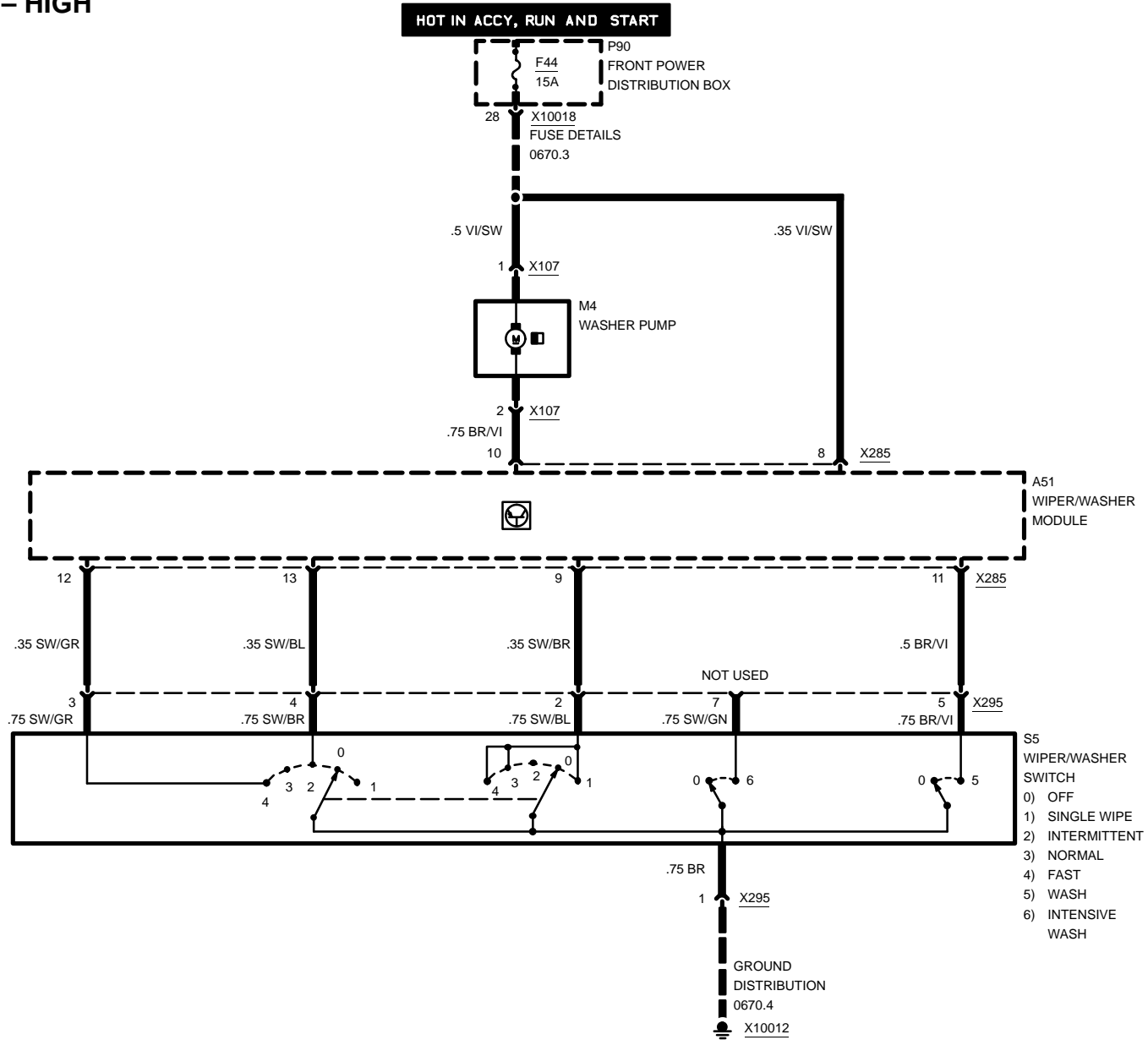
WIPER - HIGH





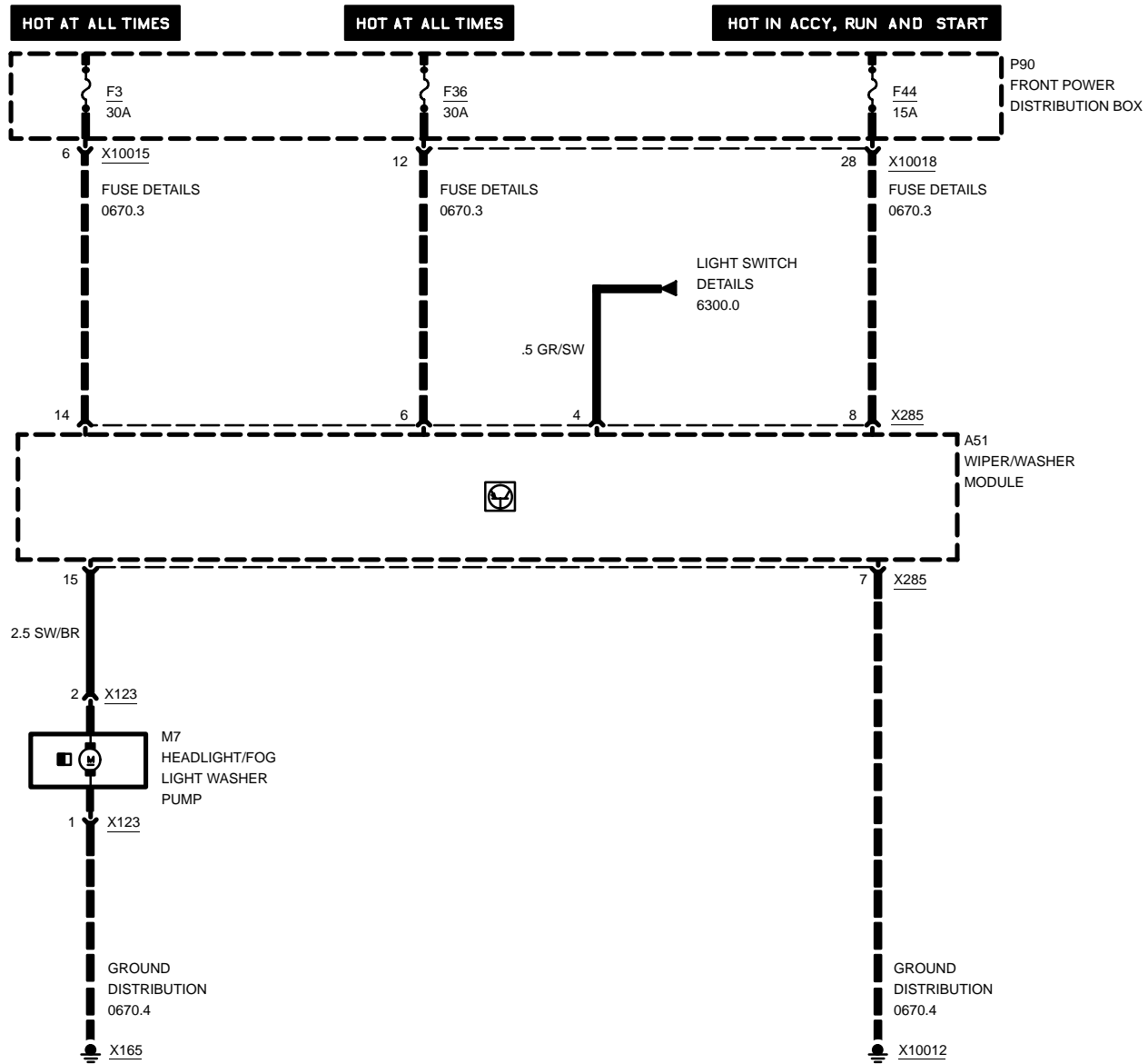
WIPER/WASHER MODULE (WWM)

WASHER – HIGH





6167.1 HEADLIGHT WASHER (SRA)



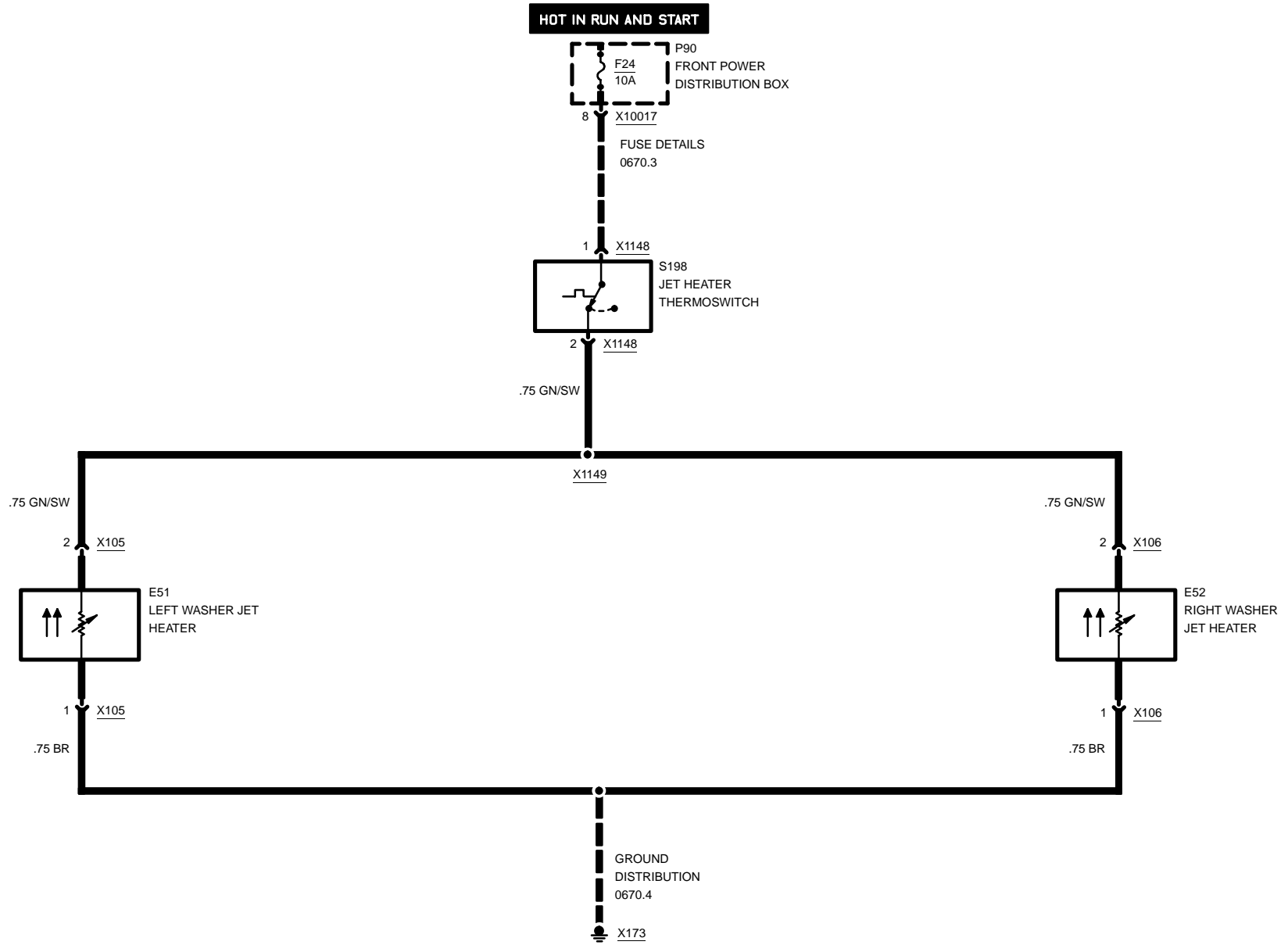
03/00

6167.1-00

1999



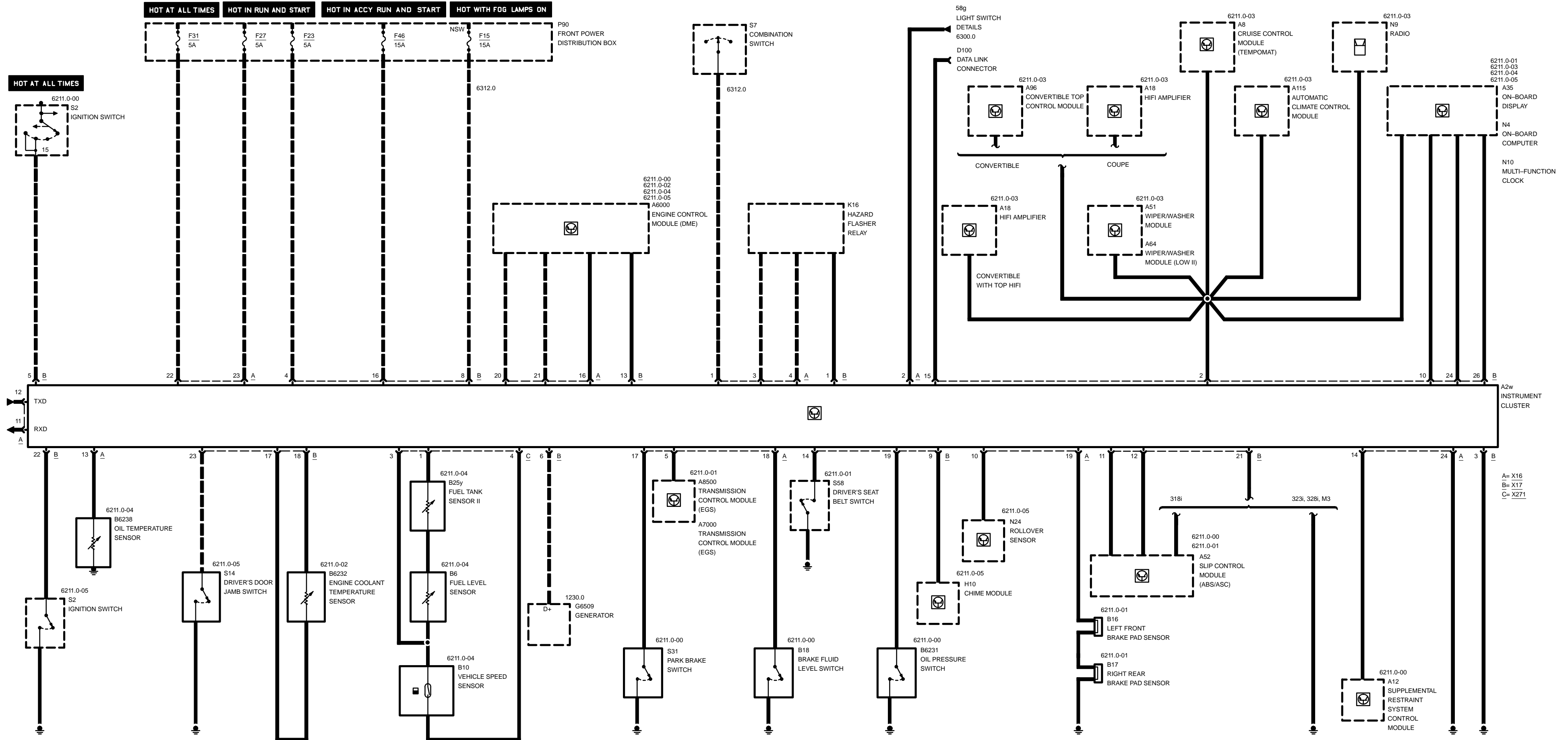
6169.0 WINDSHIELD WASHER JET HEATERS

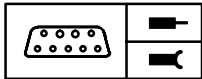


03/00

6169.0-00

1999



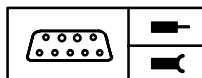


Pin Assignments

X16

Pin	Type	Description/Function	Connection
1	E	High beam indicator control	Combination switch
2	E	Terminal 58g, instrument illumination power	Dimmer
3	E	Right turn signal indicator control	Hazard flasher relay
4	E	Left turn signal indicator control	Hazard flasher relay
5	E	Warning lamp for EGS fault (information signal transmission oil temperature)	Transmission control module (EGS)
6		Not used	
7		Not used	
8		Not used	
9		Not used	
10	E	Convertible: Rollover signal	Rollover sensor
11	A	RxD diagnostic data link	Data link connector
12	E/A	TxD diagnostic data link	Data link connector
13	E	Oil temperature	Engine oil temperature sensor
14	E	Airbag warning lamp (SRS) control	Supplemental restraint system control module
15		Not used	
16	E	"Check engine" indicator control	Engine control module (DME)
17	E	Park brake warning lamp control	Park brake switch
18	E	Brake fluid warning lamp control	Brake fluid level switch
19	E	Brake pad wear warning lamp control	Brake pad sensors
20	E	Crankshaft RPM speed signal TD	Engine control module (DME)
21	E	Fuel consumption signal + KVA	Engine control module (DME)
22	E	Voltage supply, terminal 30	Front power distribution box, fuse 31
23	E	Voltage supply, terminal 15 for indicator and warning lamps	Front power distribution box, fuse 27
24	M	Ground supply, terminal 31 for instrument cluster electronics	Ground point
25		Not used	
26		Not used	

E = Input, A = Output, M = Ground

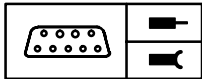


Pin Assignments

X17

Pin	Type	Description/Function	Connection
1	E	Trailer turn signal indicator control	Hazard flasher relay
2	A	Vehicle speed signal	Various control modules
3	M	Ground supply, terminal 31 for indicator and warning lamps	Ground point
4	E	Voltage supply, terminal 15 for instrument cluster electronics	Front power distribution box, fuse 23
5	E	Voltage supply, terminal 15 for battery charge indicator	Ignition switch, terminal 15
6	E	Ground supply, terminal 61 for battery charge indicator	Generator
7		Not used	
8	E	Fog light indicator control	Front power distribution box, fuse 15
9	A	Sound tone signal	Chime module
10	A	Information signal, fuel tank content	On-board computer
11	E	Slip control system warning lamp (ABS/ASC) control	Slip control module (ABS/ASC) (323i, 328i, M3)
12	E	ASC signal	ASC control module
13	A	TI-measurement signal (fuel consumption)	Engine control module (DME)
14	E	Seat belt warning lamp control	Driver's seat belt switch
15	E	SIA reset/service interval indicator reset	Data link connector
16	E	Voltage supply, terminal R	Front power distribution box, fuse 46
17	A	Coolant temperature sensor	Coolant temperature sensor
18	E	Coolant temperature sensor	Coolant temperature sensor
19	E	Oil pressure warning lamp control	Oil pressure switch
20		Not used	
21	E	Ground	Ground point (323i, 328i, M3)
21	E	Slip control system warning lamp (ABS/ASC) control	Slip control module (ABS/ ASC) (318i)
22	E	Ignition key warning/audible ignition key warning	Ignition switch
23	E	Driver's door open	Driver's door jamb switch

E = Input, A = Output, M = Ground



Pin Assignments

Pin	Type	Description/Function	Connection
24	A	Dimmer signal/brightness information signal for connected control modules	On-board computer or multi-function clock
25		Not used	
26	E	Central indicator lamp/check-control	On-board computer or multi-function clock

X271

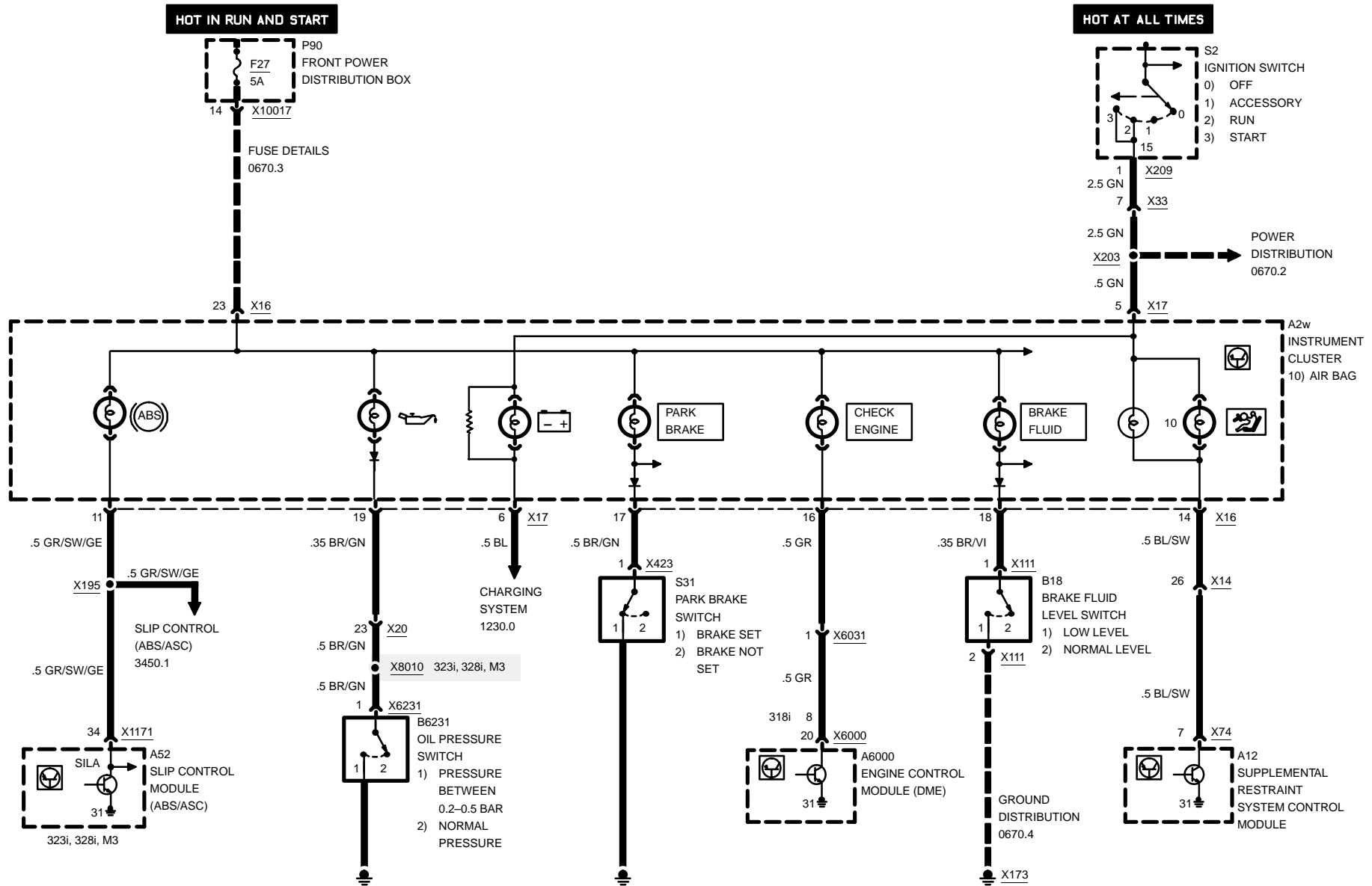
Pin	Type	Description/Function	Connection
1	A	Fuel level sensor	Fuel tank sensors
2		Not used	
3	A	Ground supply for fuel tank sensors and vehicle speed sensor	Fuel tank sensors and vehicle speed sensor
4	E	Position signal TW	Vehicle speed sensor
5		Not used	
6		Not used	
7		Not used	
8		Not used	
9		Not used	
10		Not used	
11		Not used	
12		Not used	

E = Input, A = Output, M = Ground



INSTRUMENT CLUSTER

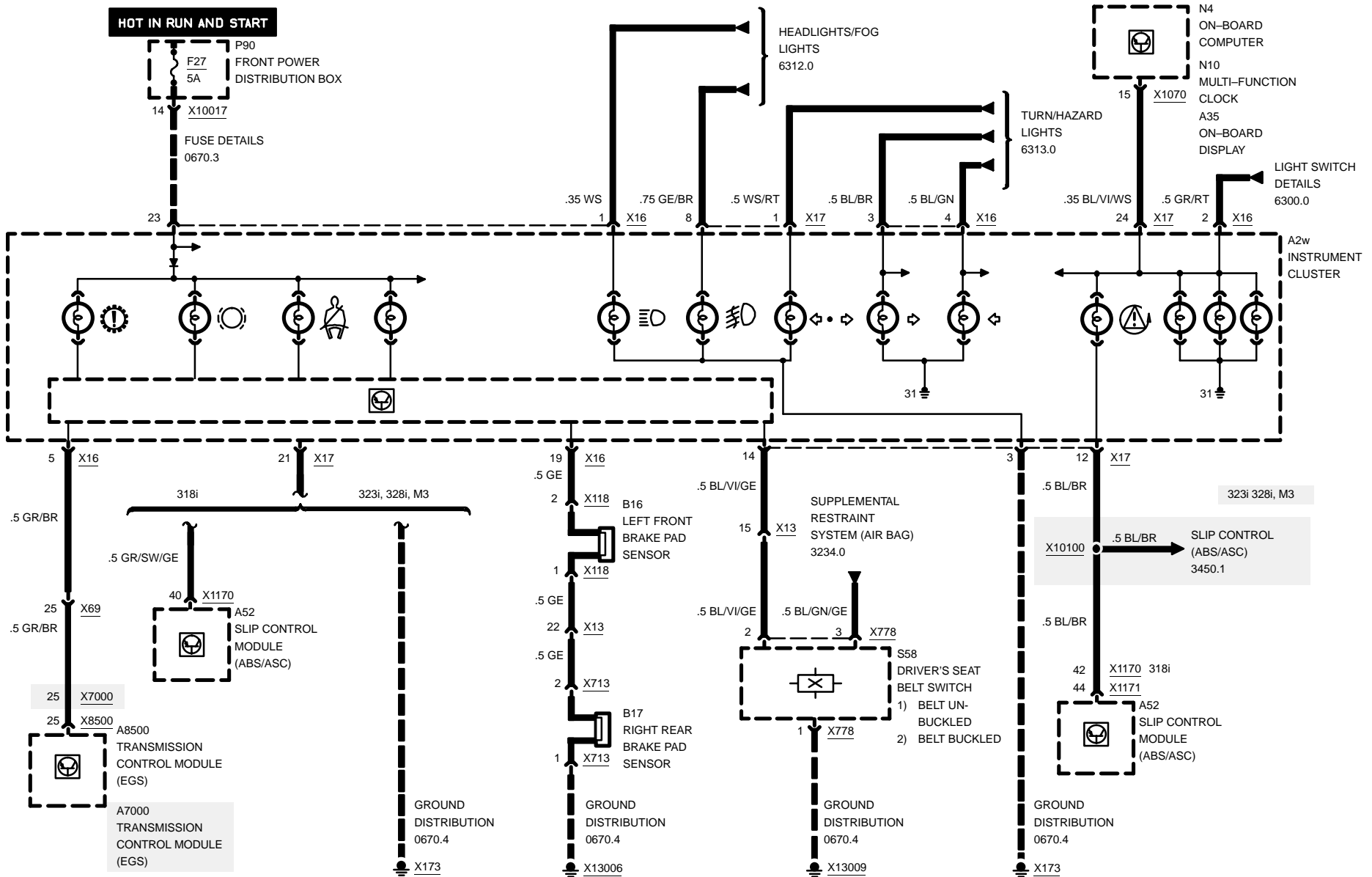
INDICATORS





INSTRUMENT CLUSTER

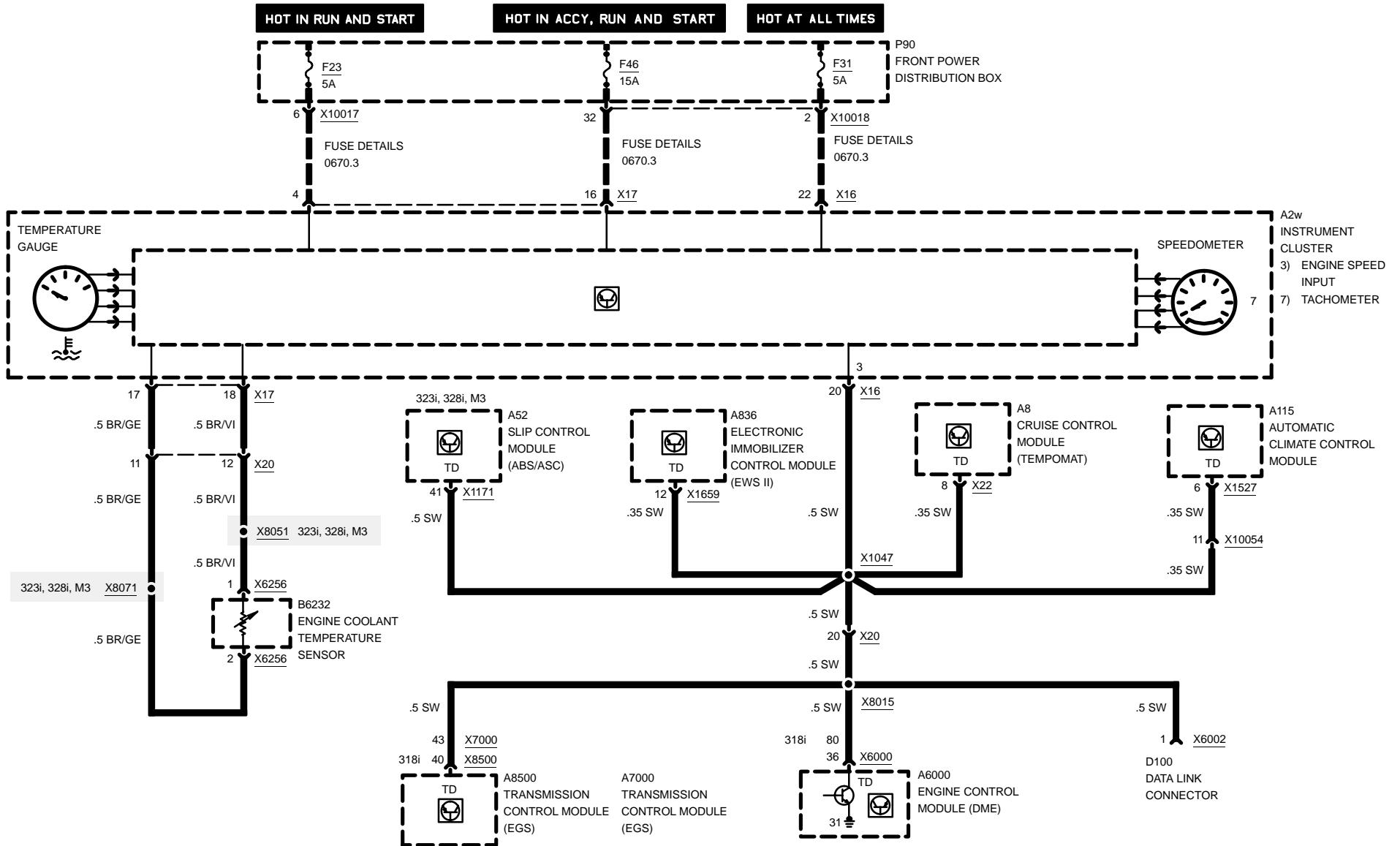
INDICATORS





INSTRUMENT CLUSTER

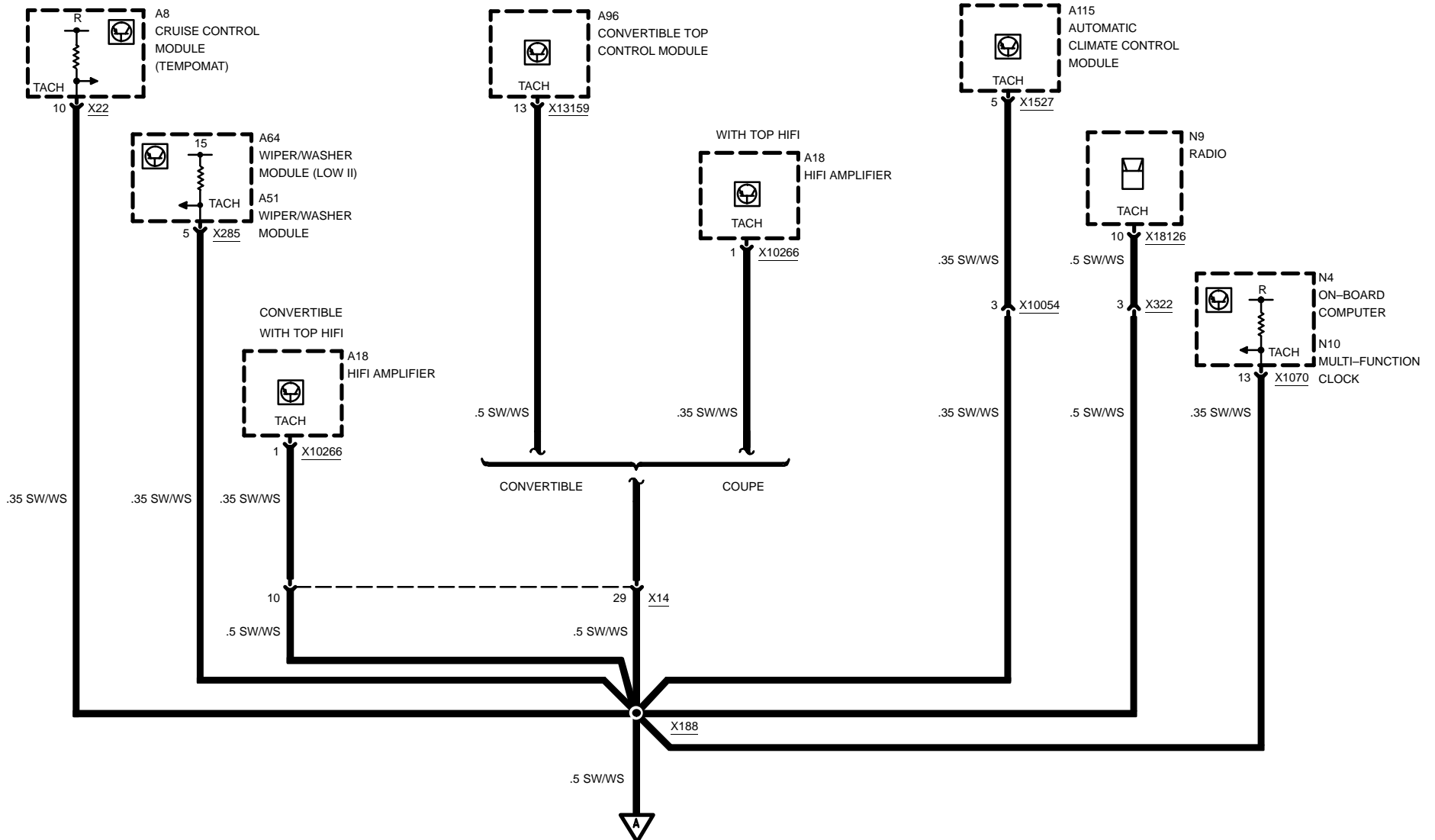
INDICATORS





INSTRUMENT CLUSTER

SIGNAL-OUTPUT SPEEDOMETER



6211.0-04

03/00

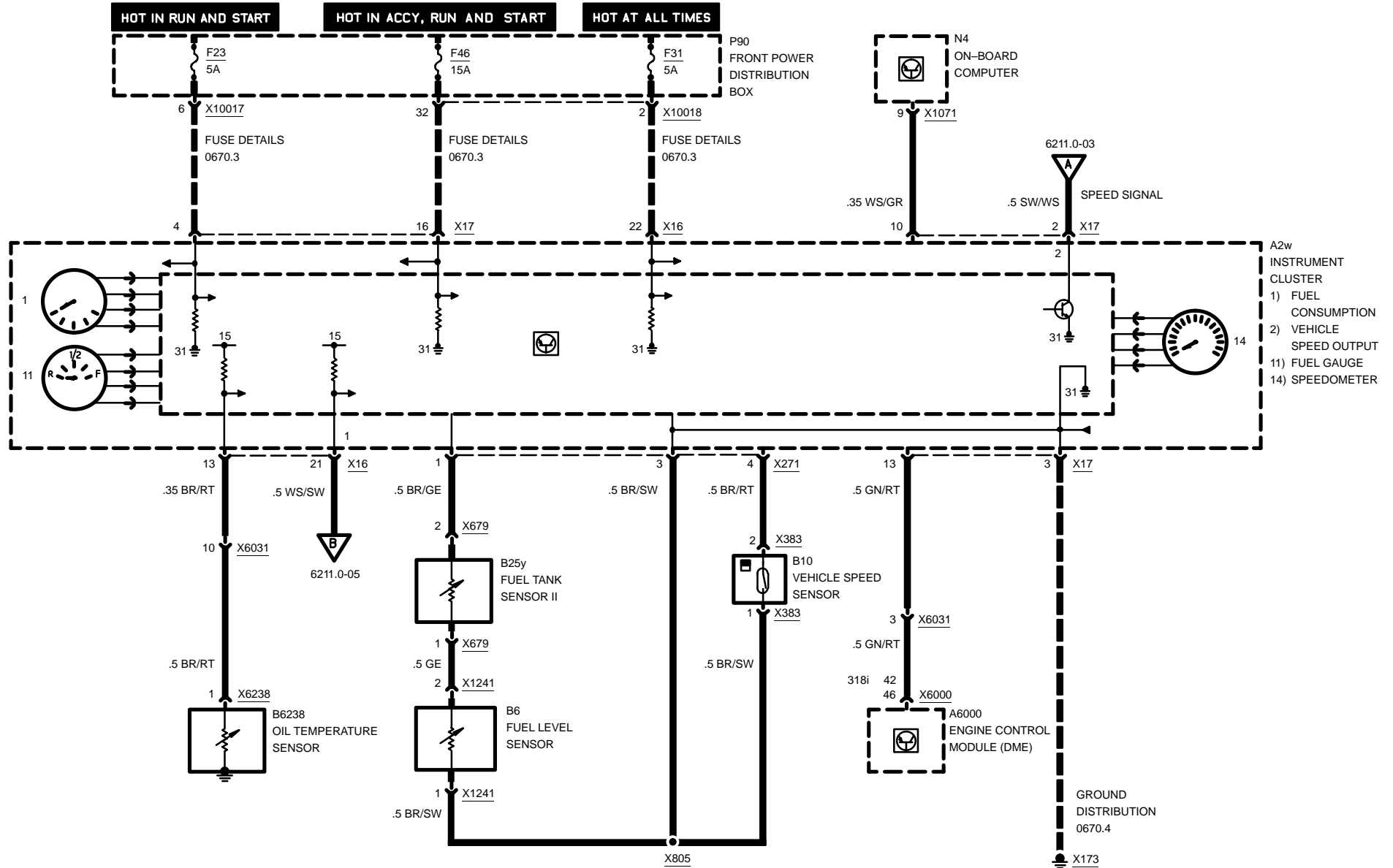
6211.0-03

1999



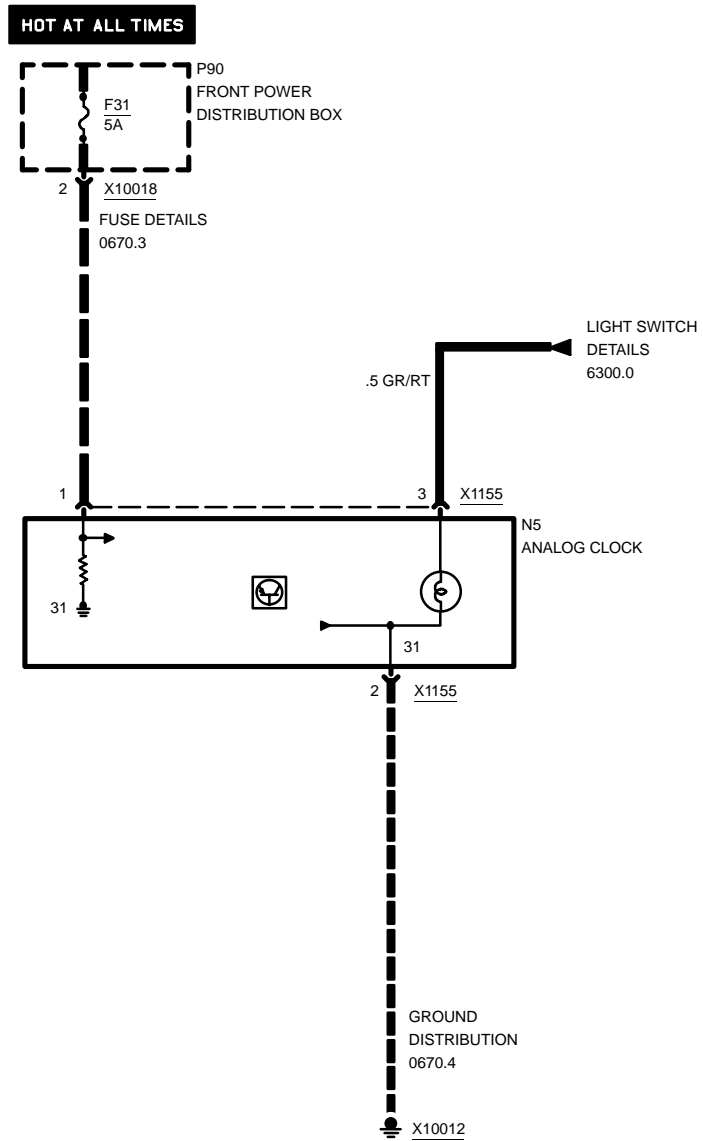
INSTRUMENT CLUSTER

INDICATORS



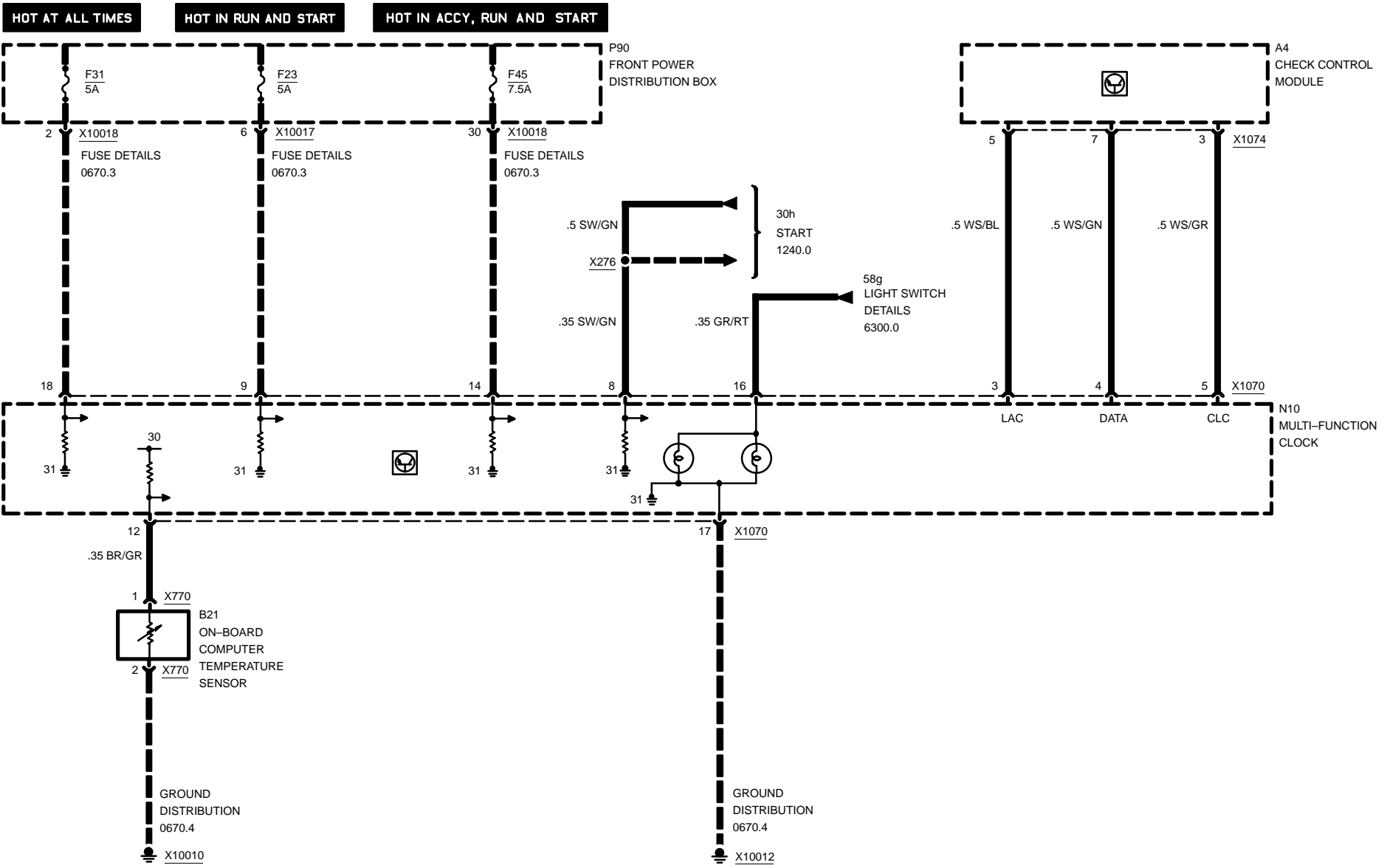


6213.1 ANALOG CLOCK





6113.2 MULTI-FUNCTION CLOCK



03/00

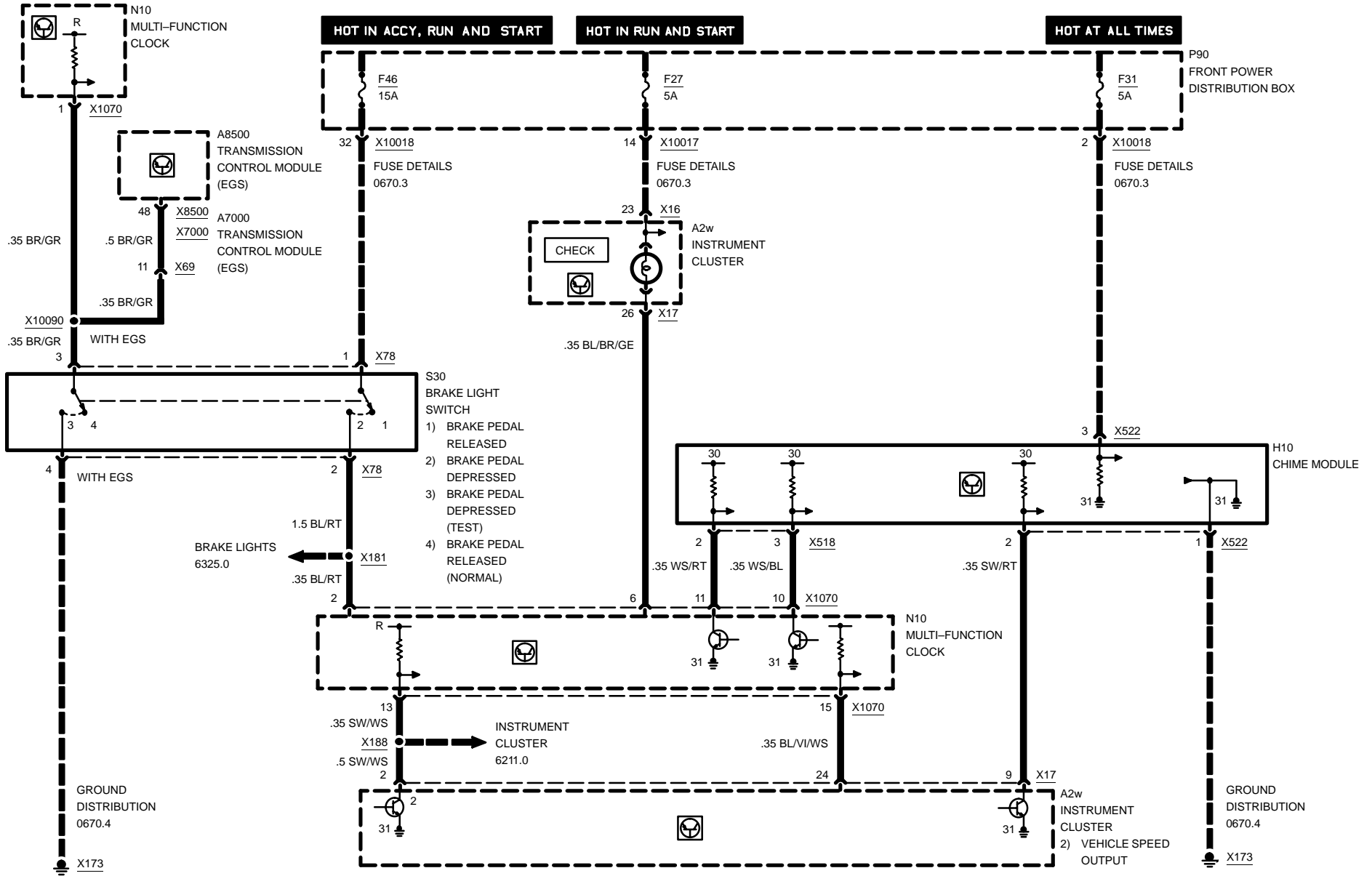
6213.2-00

1999



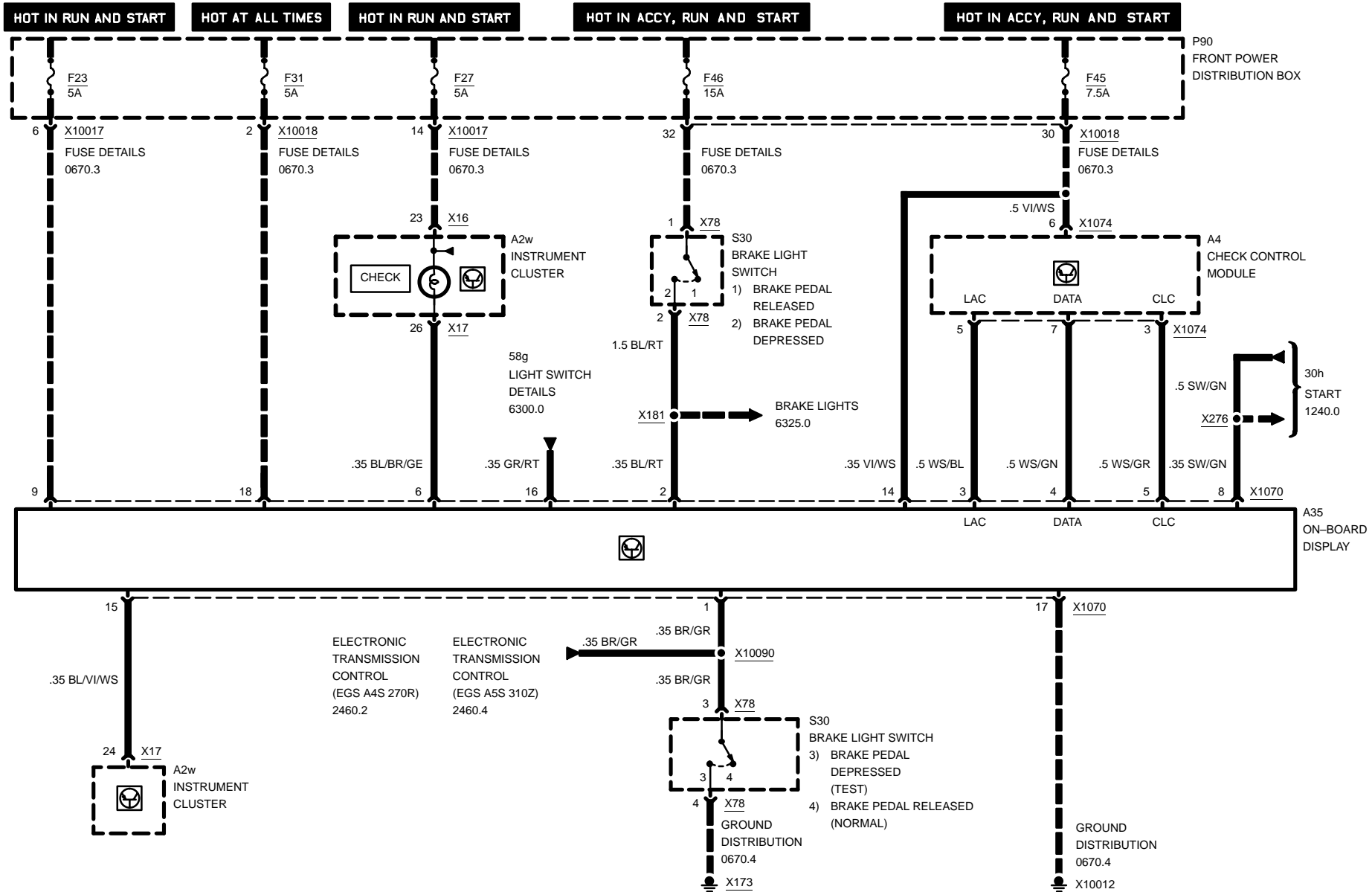
MULTI-FUNCTION CLOCK

CHIME, BRAKE LIGHT SWITCH

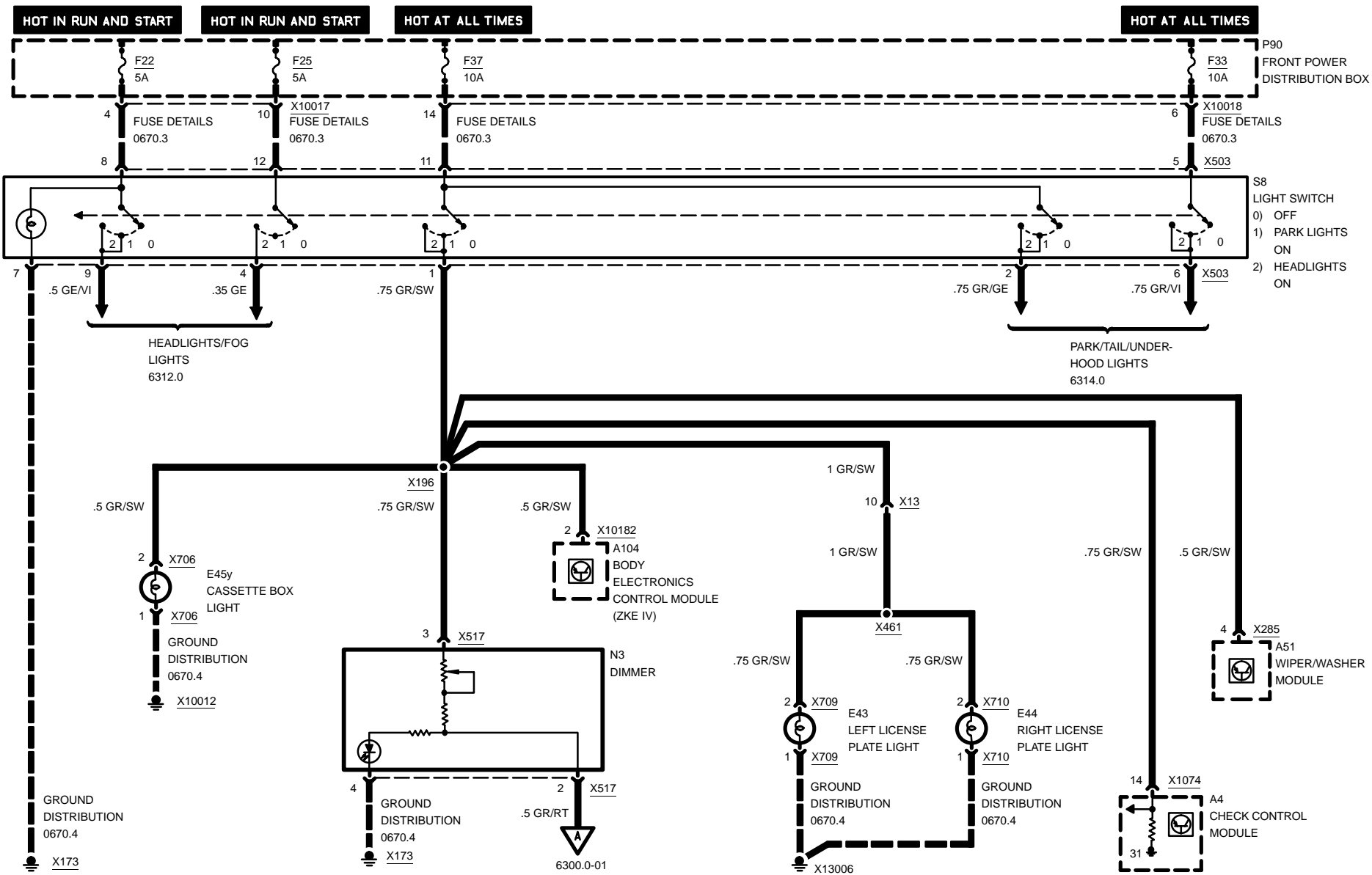




6214.0 ON-BOARD DISPLAY

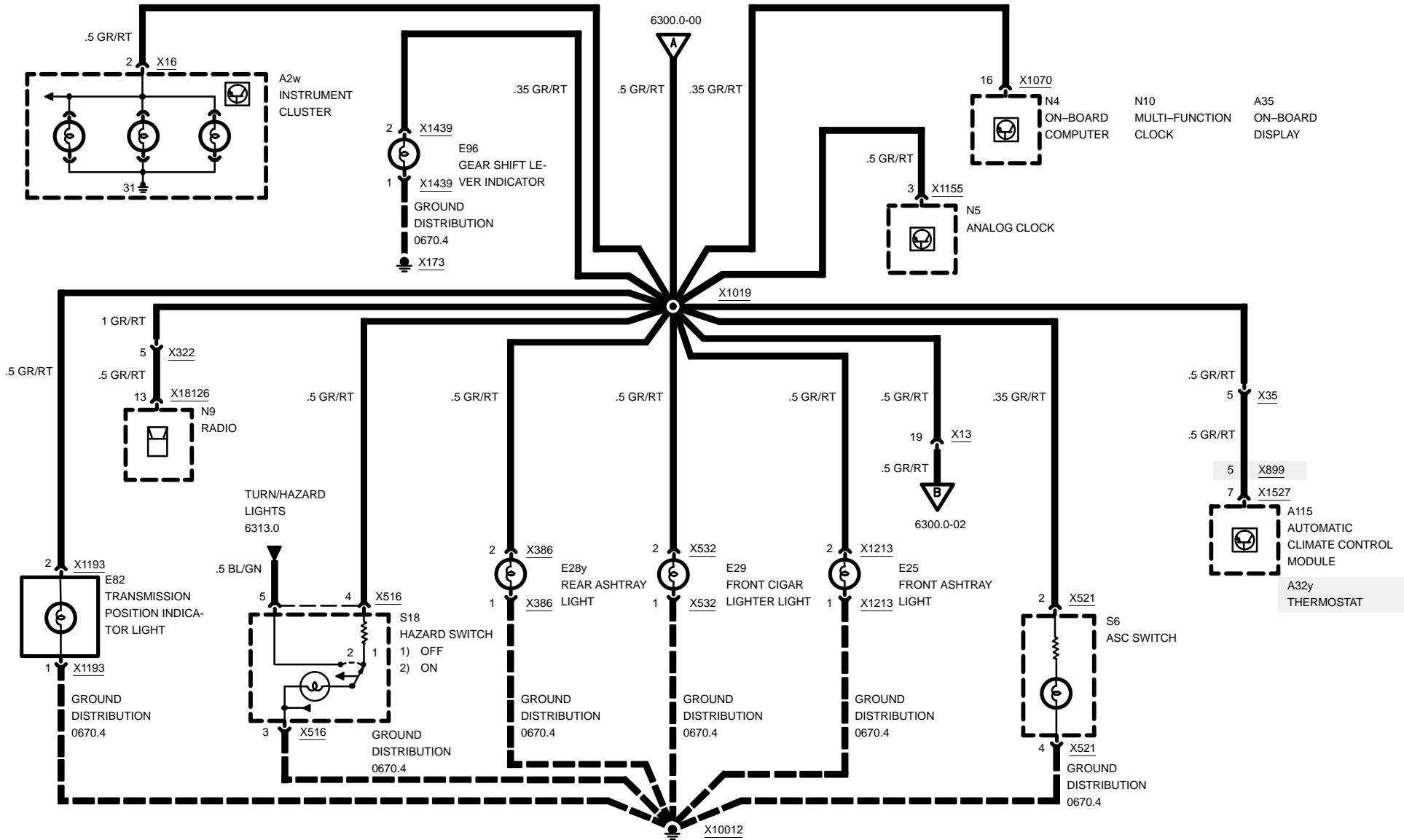


6300.0 LIGHT SWITCH DETAILS





LIGHT SWITCH DETAILS



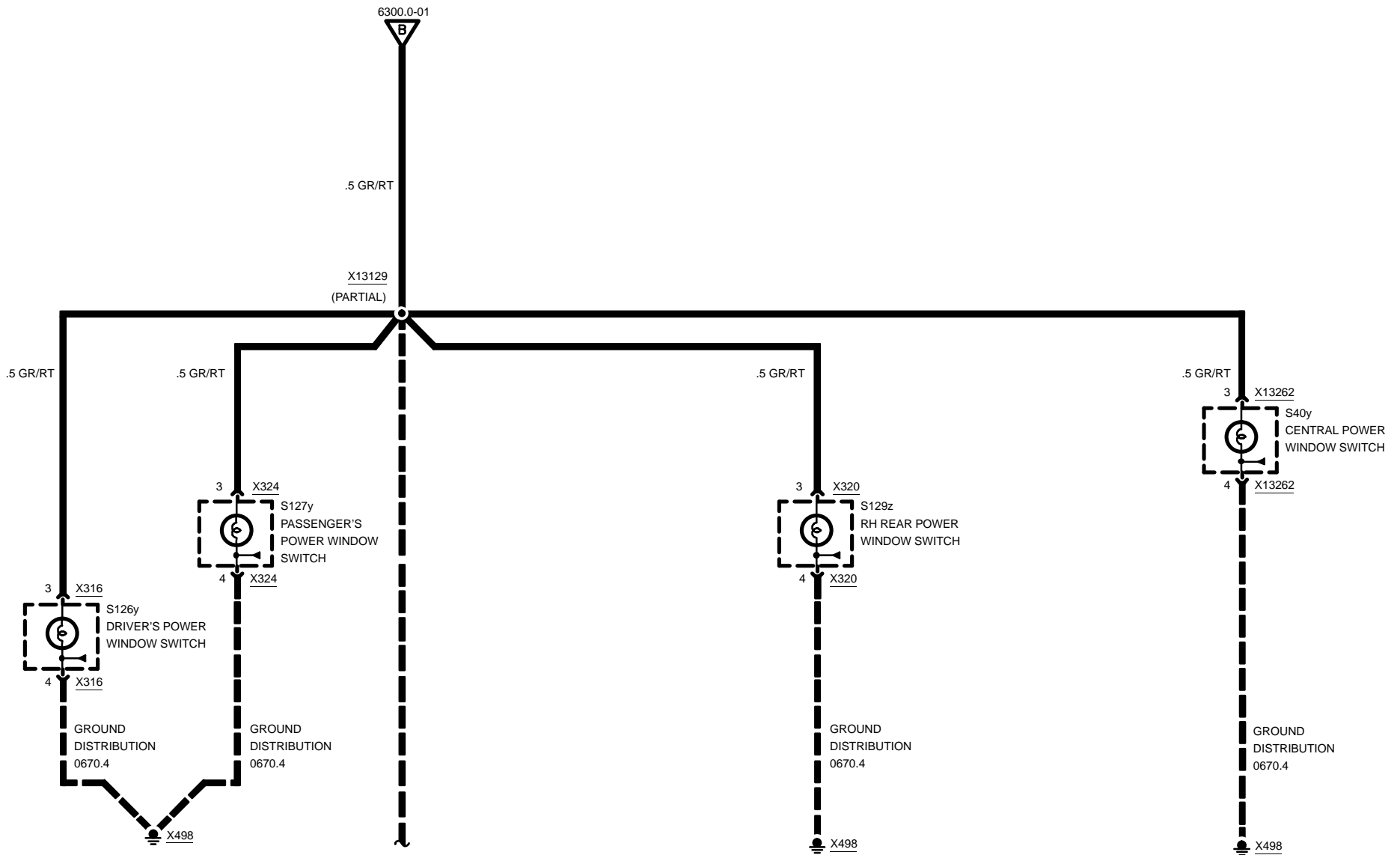
03/00

6300.0-01

1999



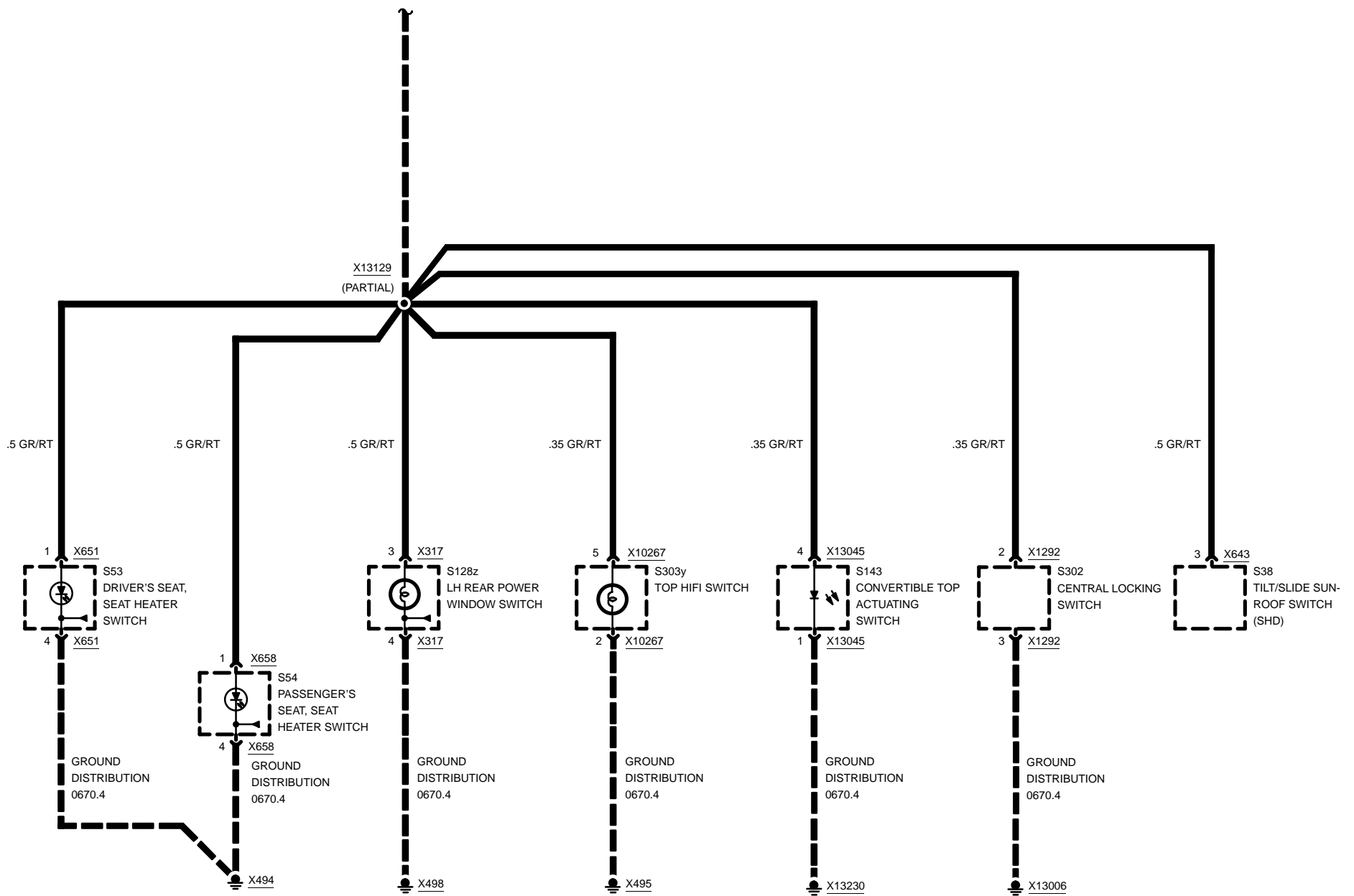
LIGHT SWITCH DETAILS



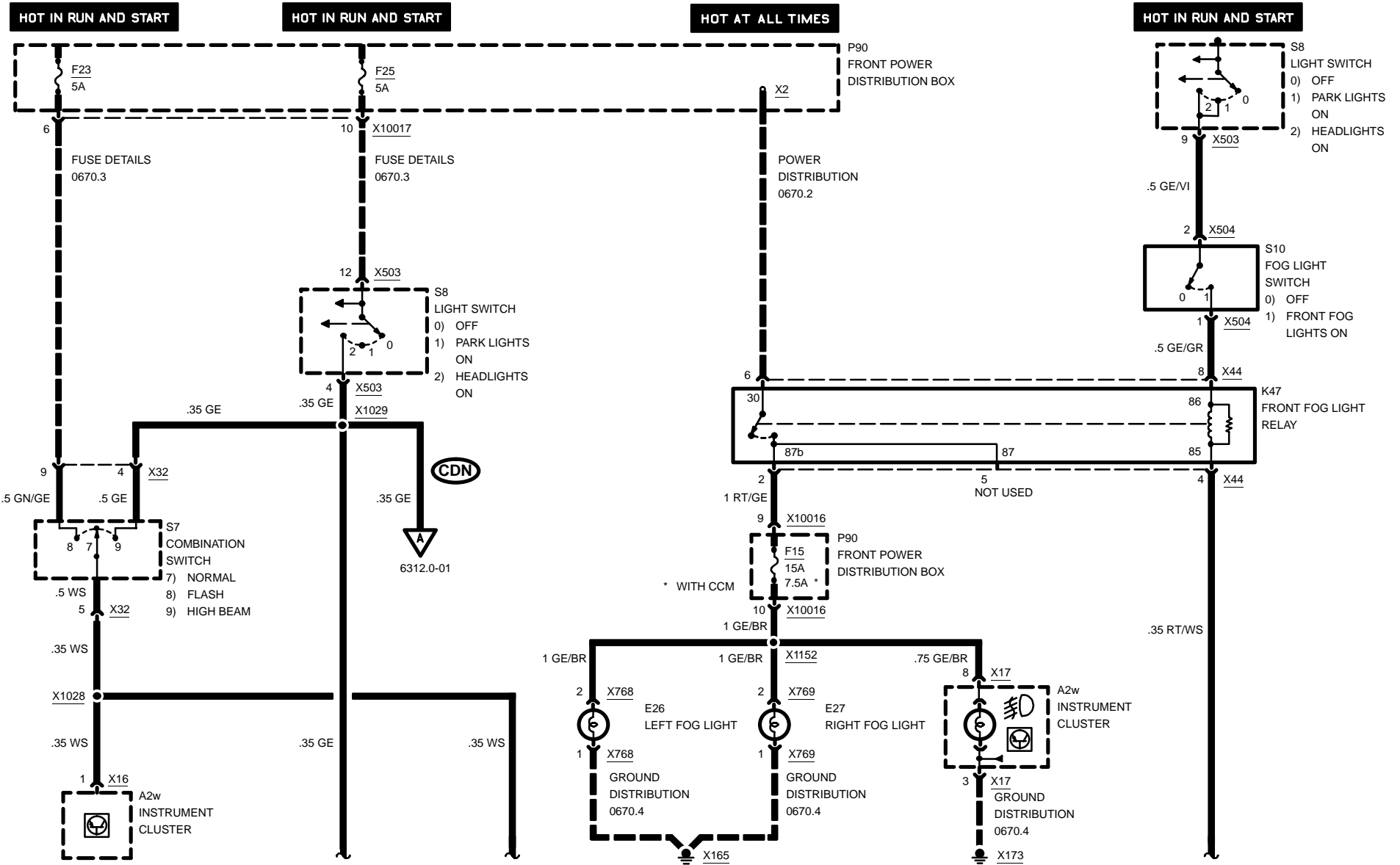
03/00

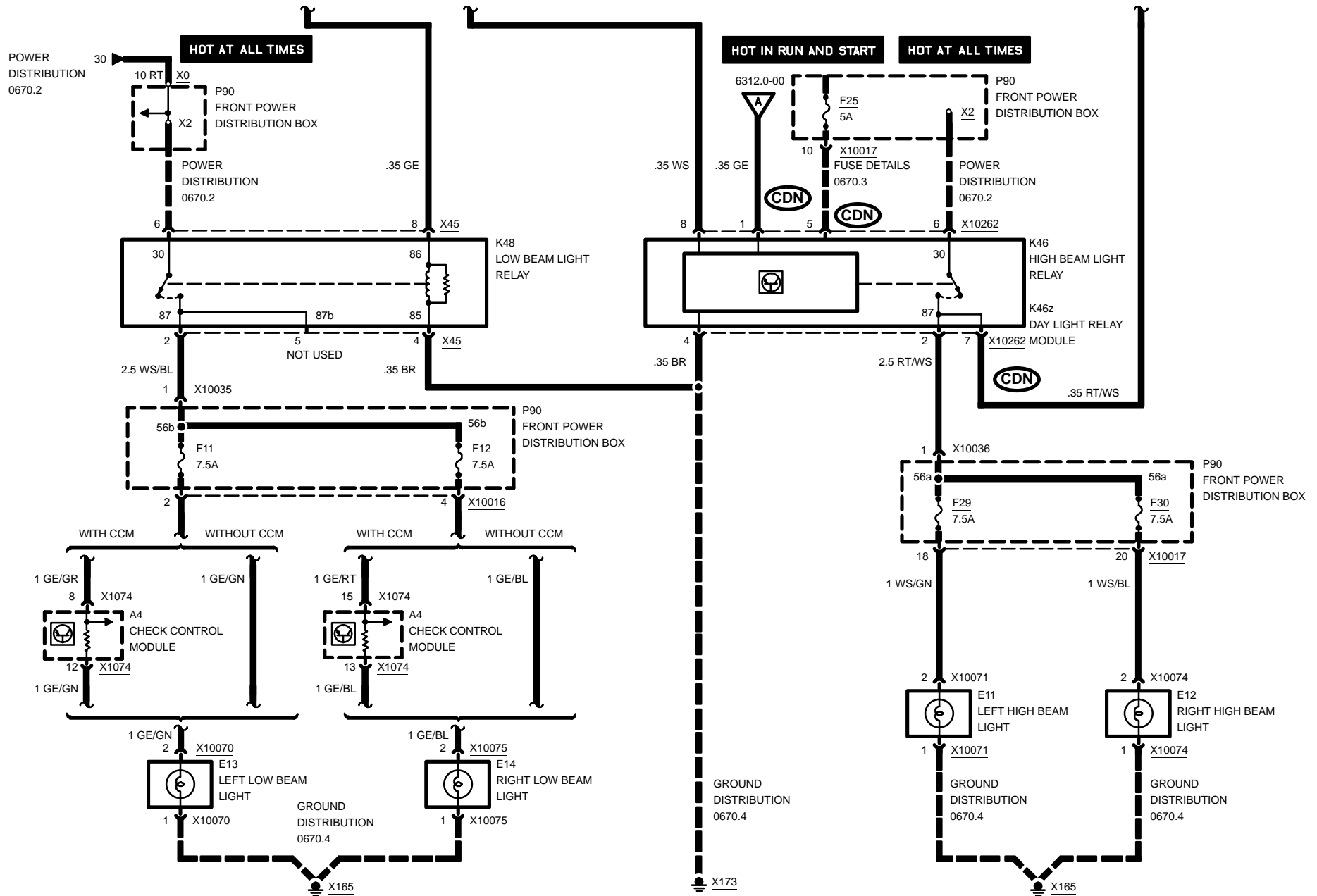
6300.0-02

1999



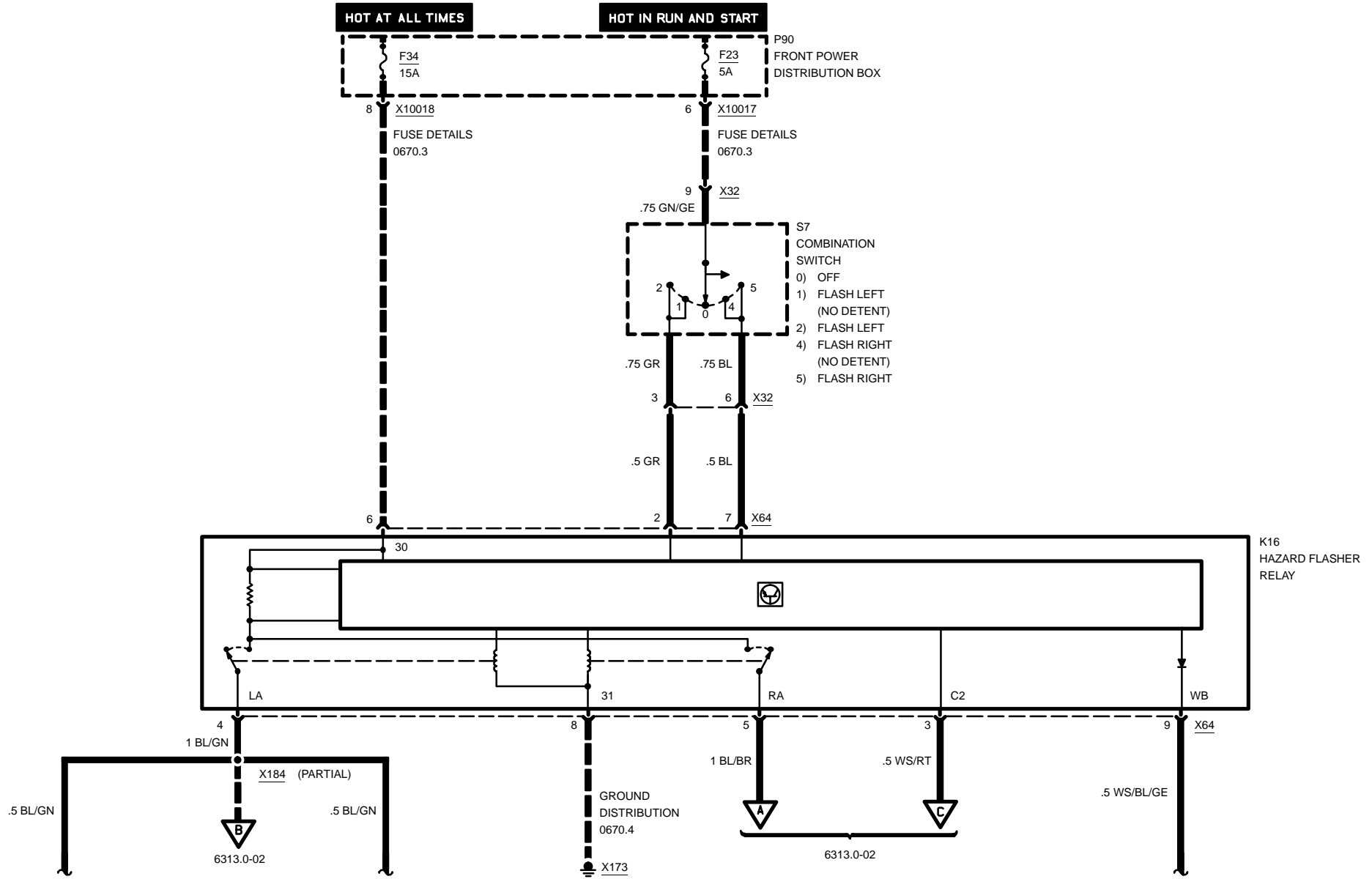
6312.0 HEADLIGHTS/FOG LIGHTS

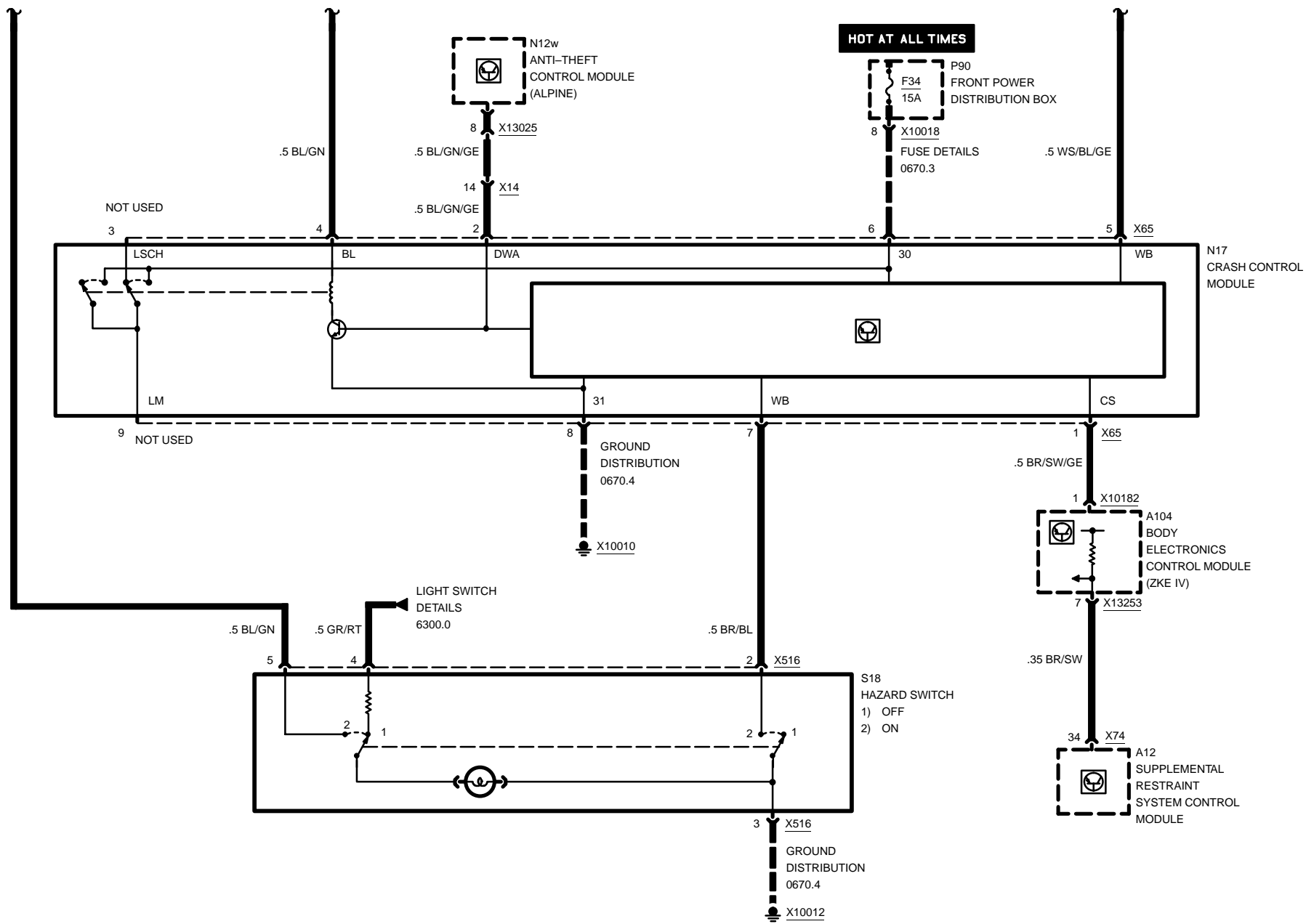






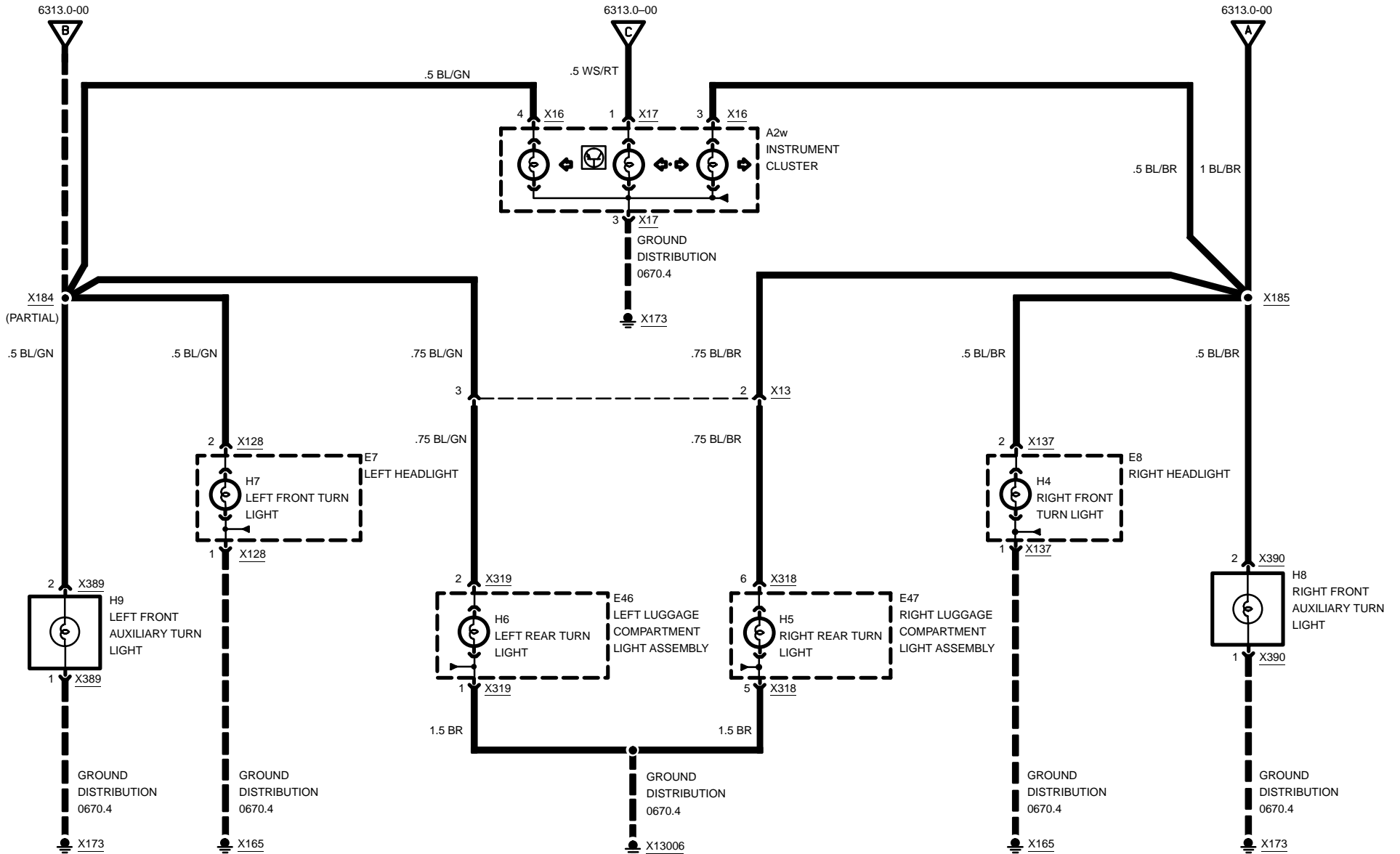
6313.0 TURN/HAZARD LIGHTS







TURN/HAZARD LIGHTS



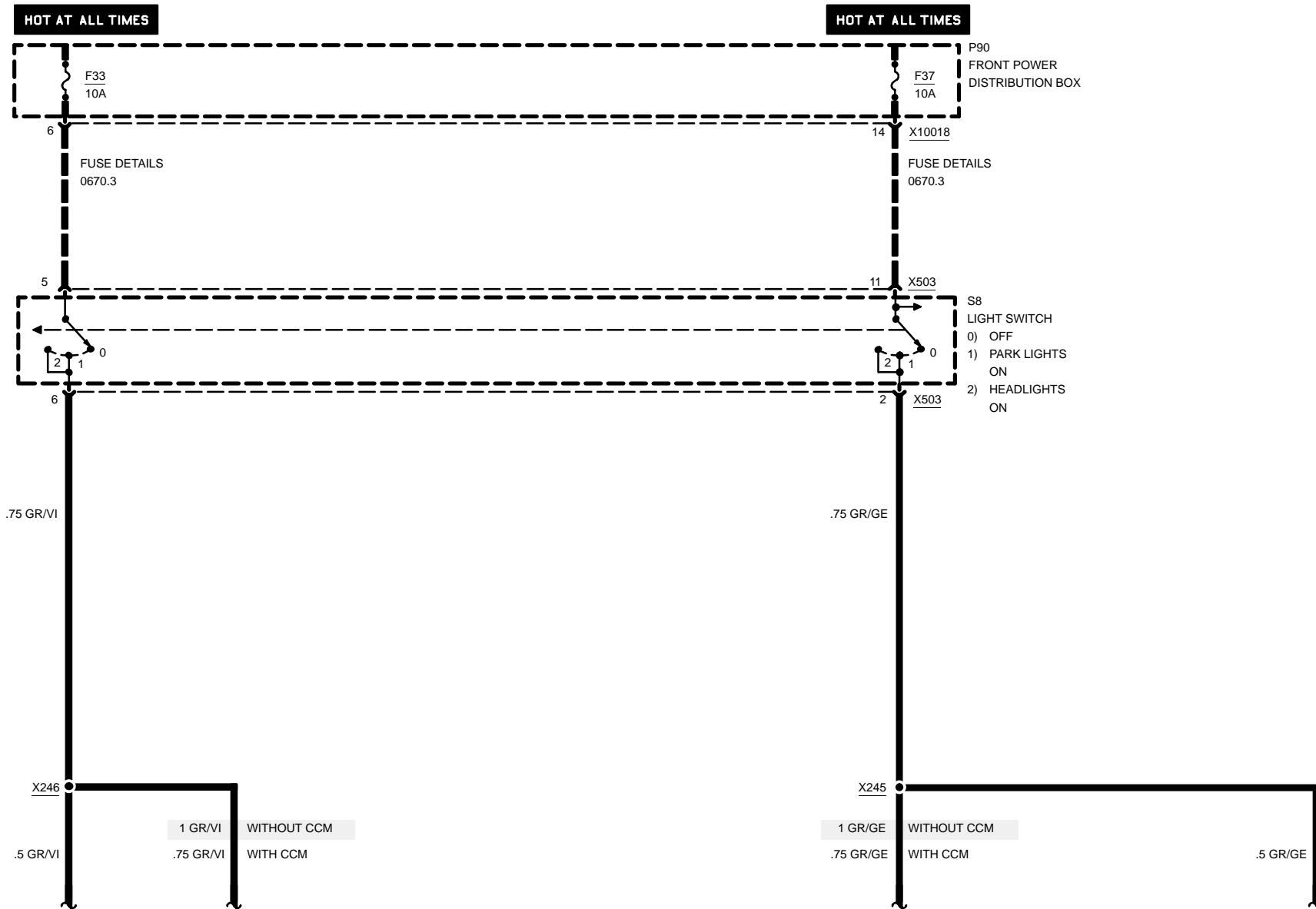
03/00

6313.0-02

1999



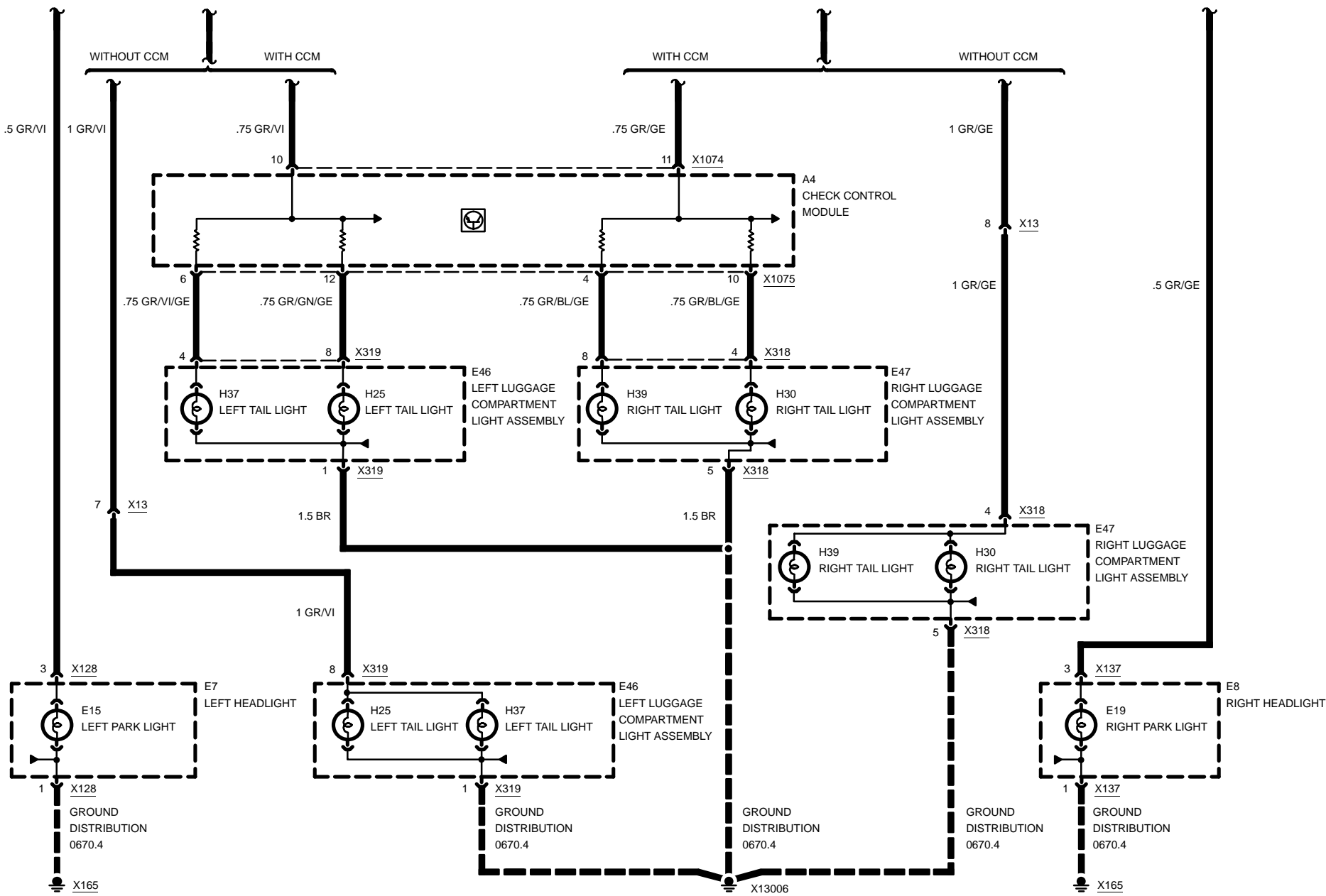
6314.0 PARK/TAIL LIGHTS



03/00

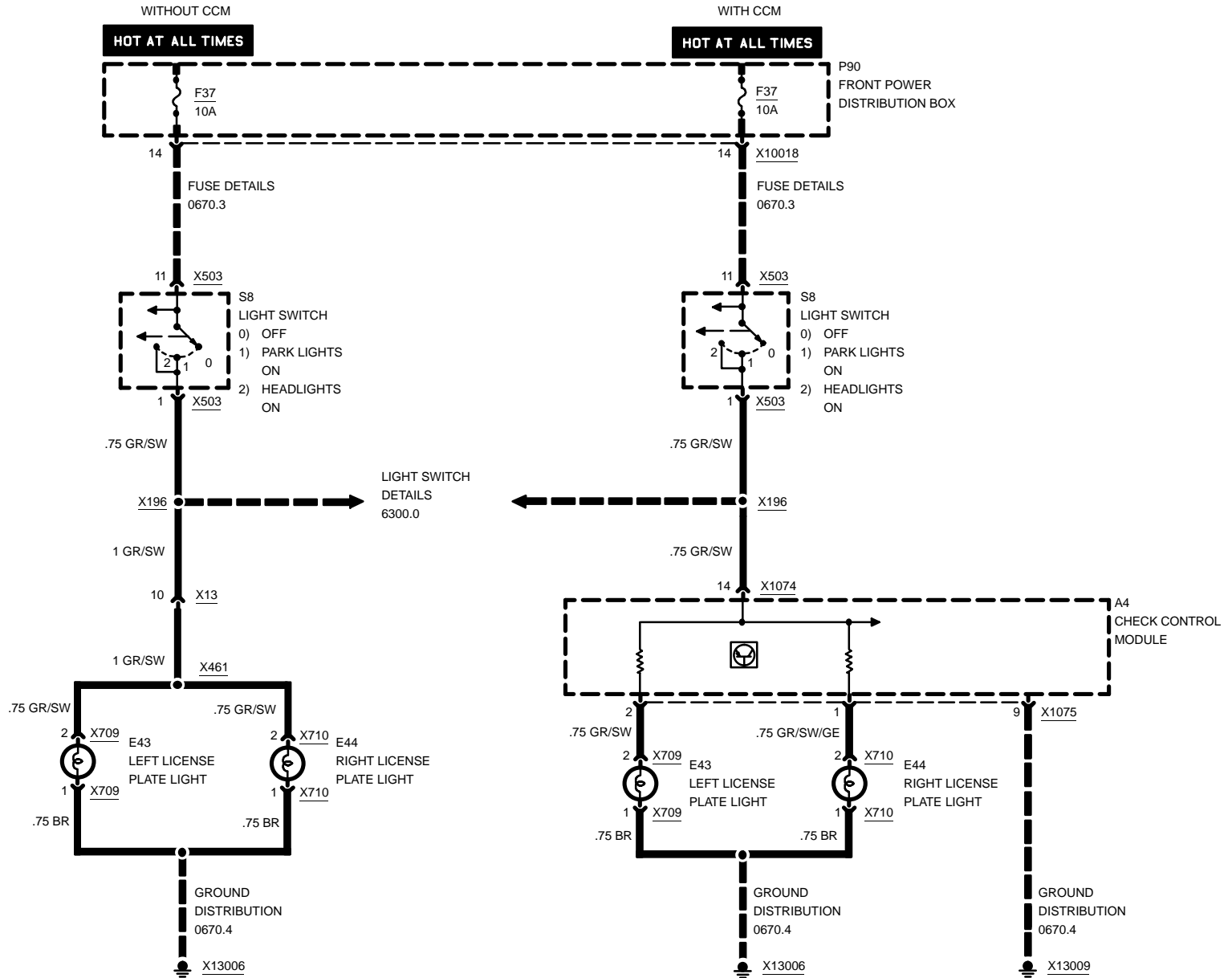
6314.0-00

1999





6320.0 LICENSE PLATE/LUGGAGE COMPARTMENT LIGHTS



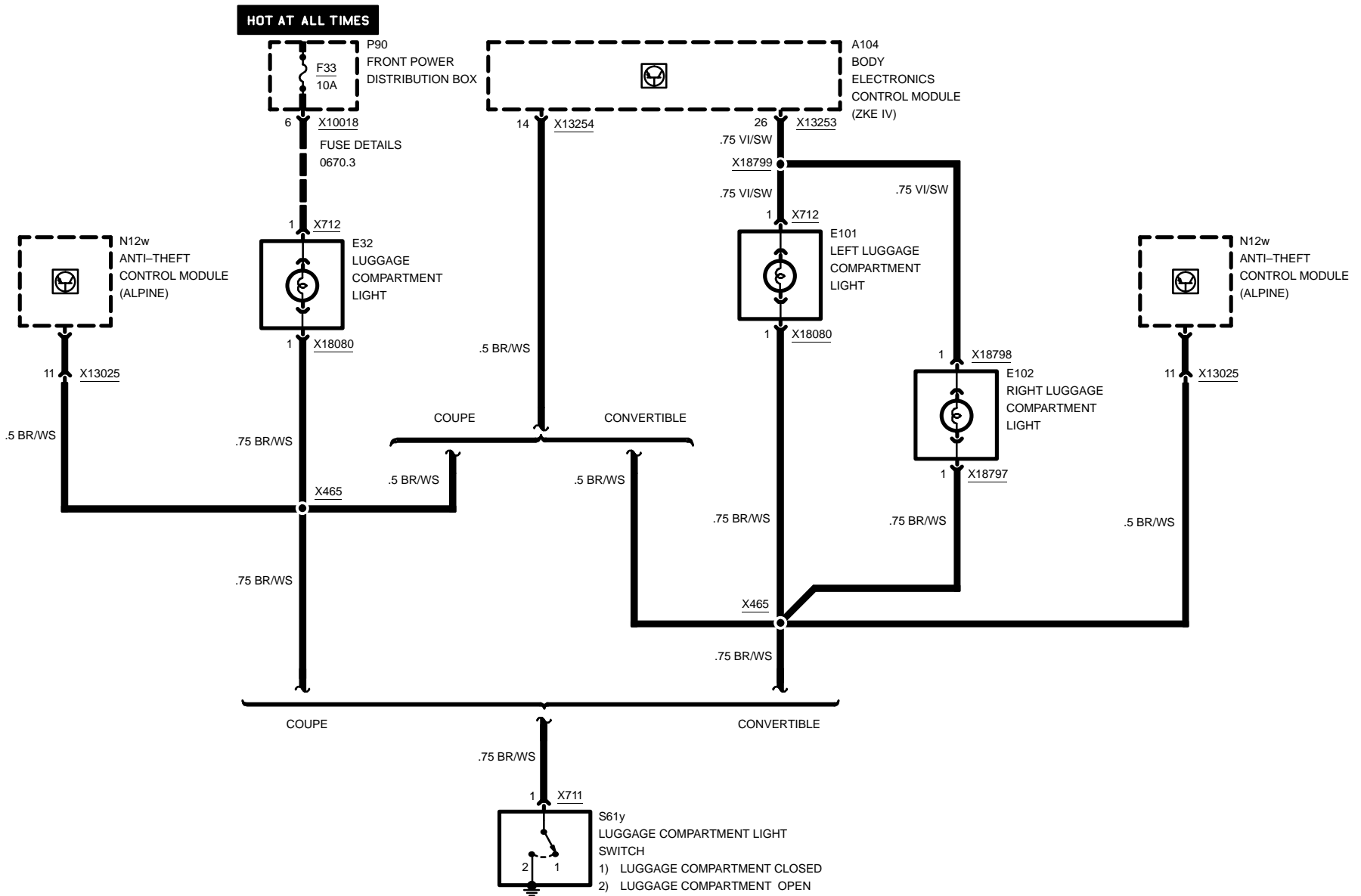
03/00

6320.0-00

1999

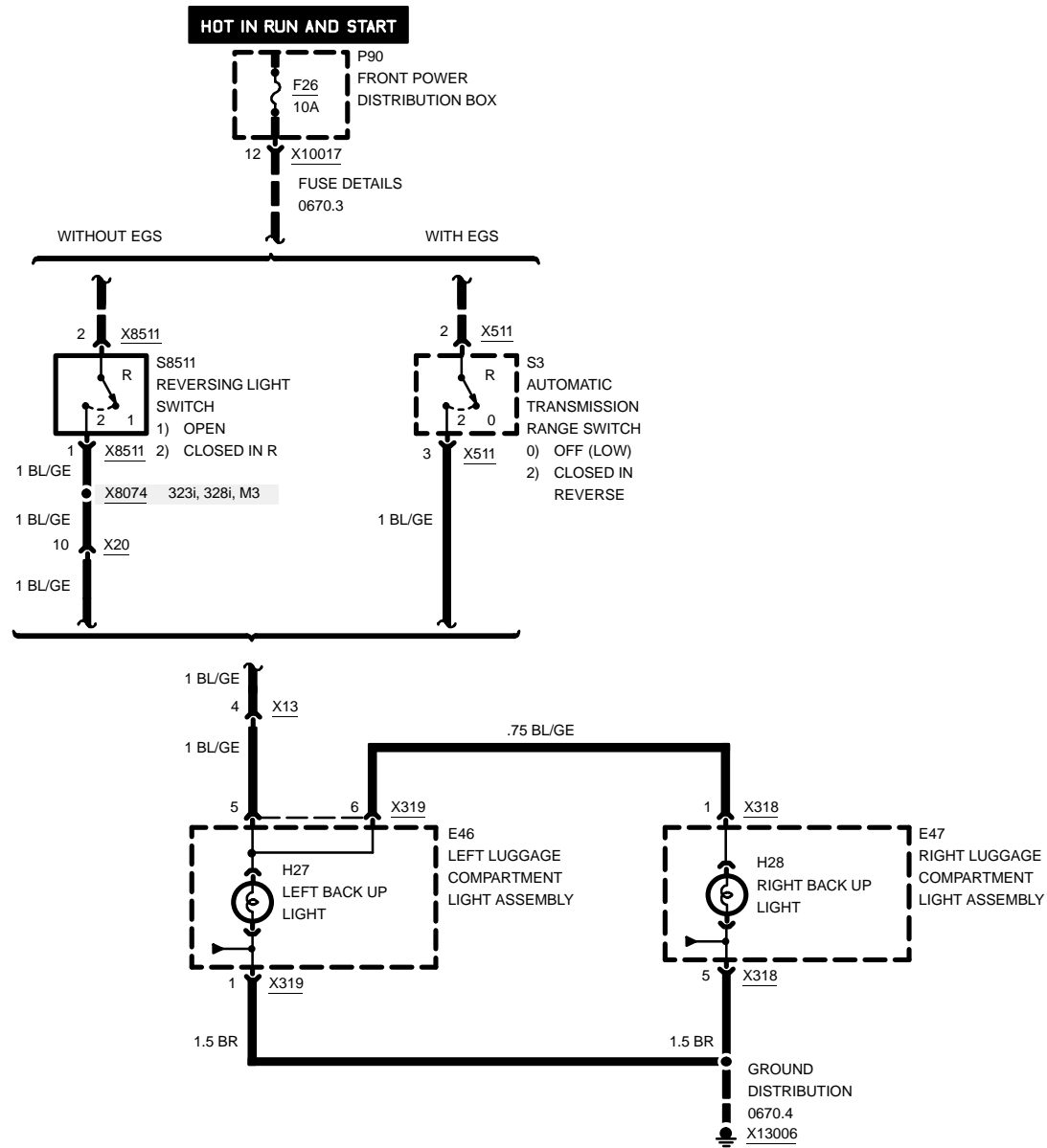


LICENSE PLATE/LUGGAGE COMPARTMENT LIGHTS





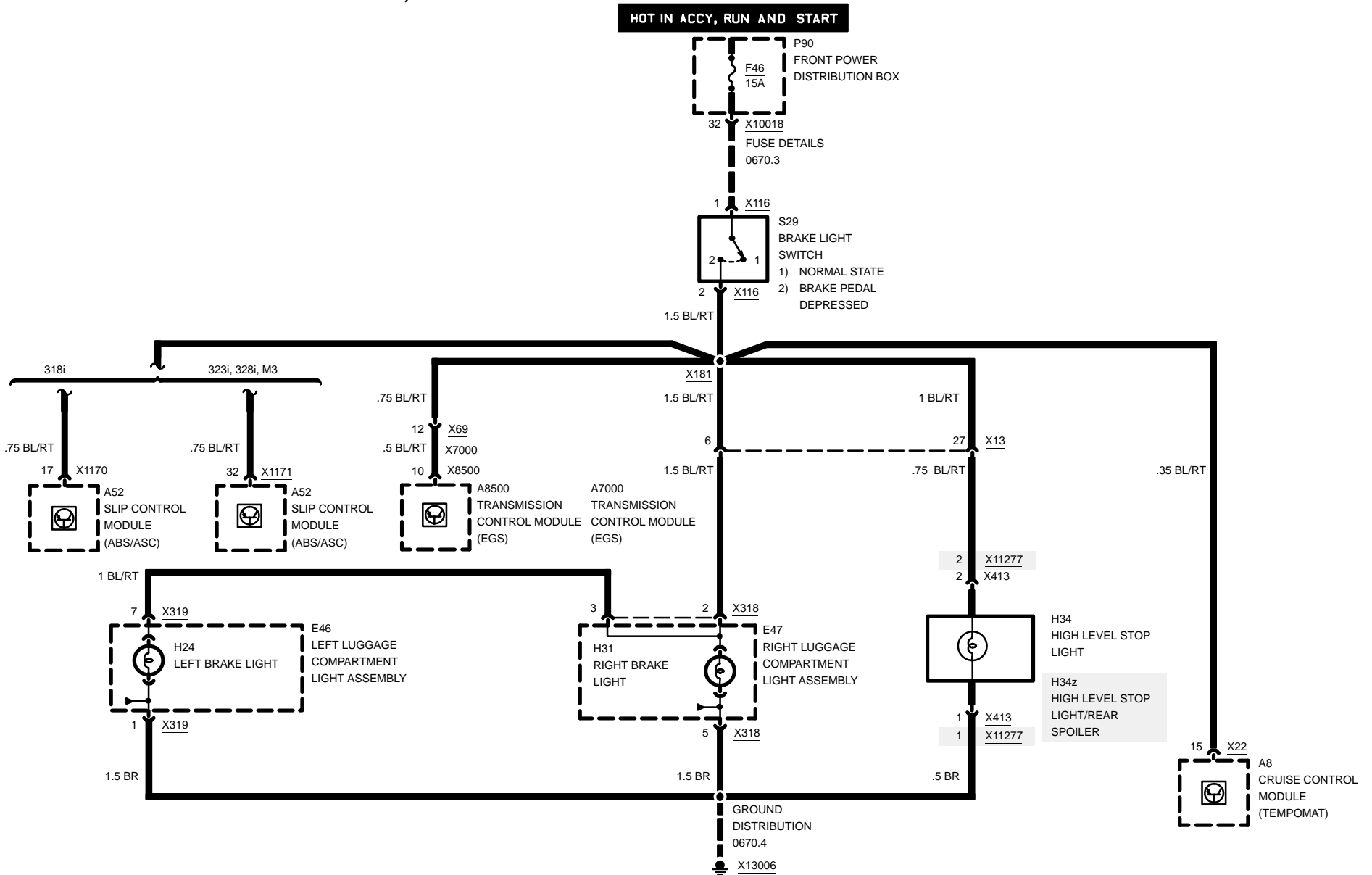
6322.0 BACK UP LIGHTS





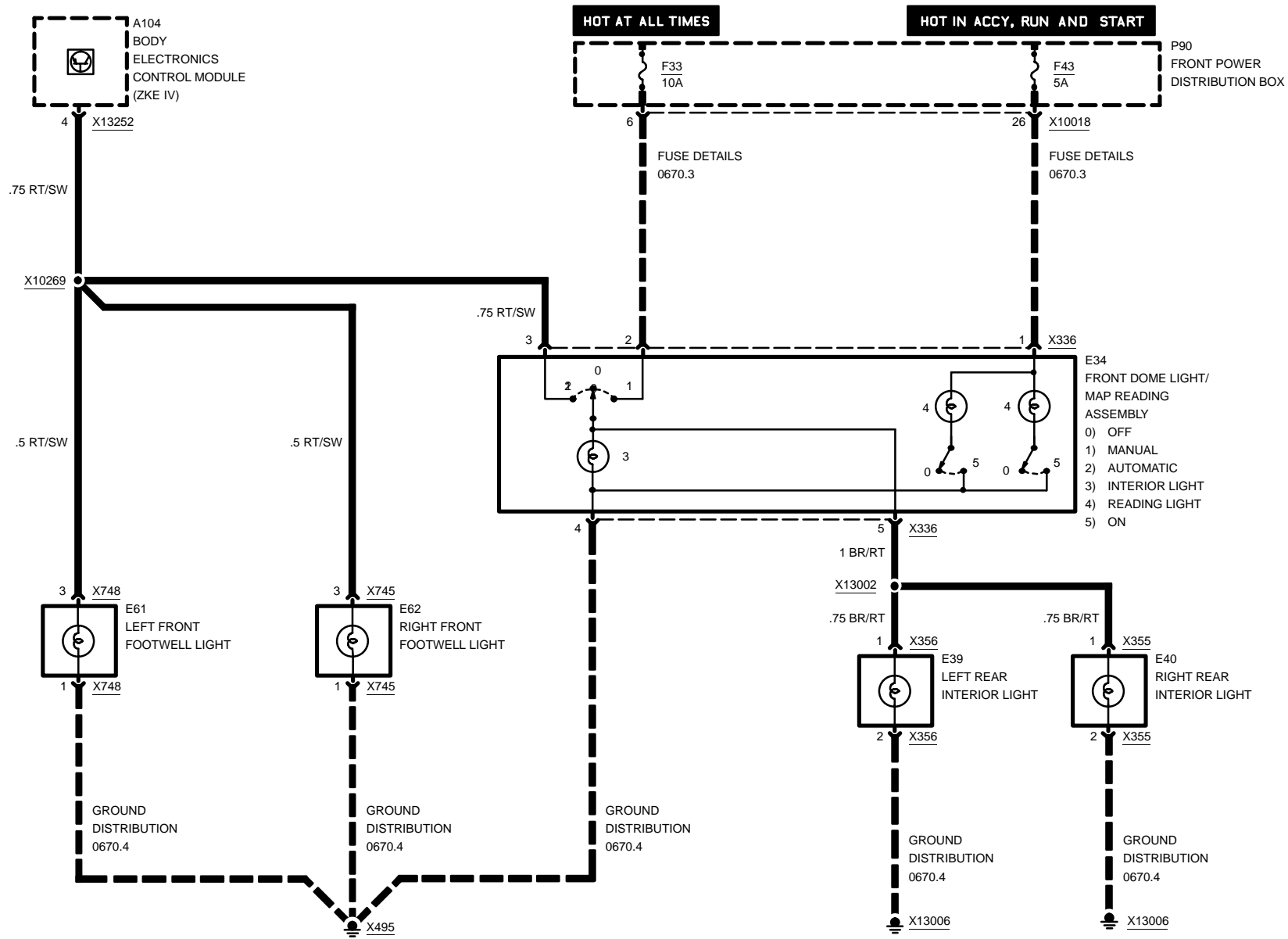
6325.0 BRAKE LIGHTS

BRAKE LIGHTS CONNECTOR, 2 PINS





6330.3 INTERIOR LIGHTS WITHOUT REAR READING LIGHT



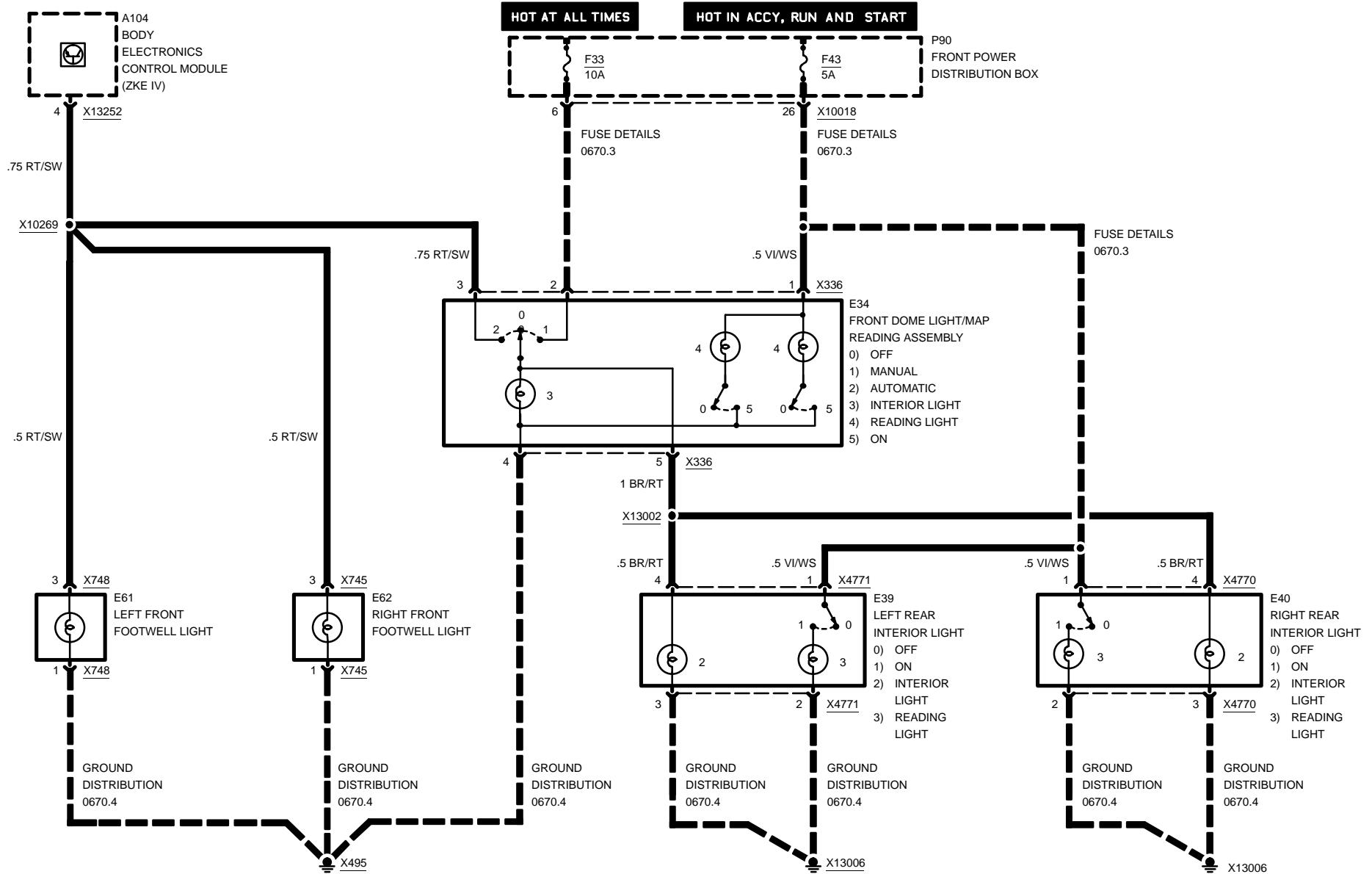
03/00

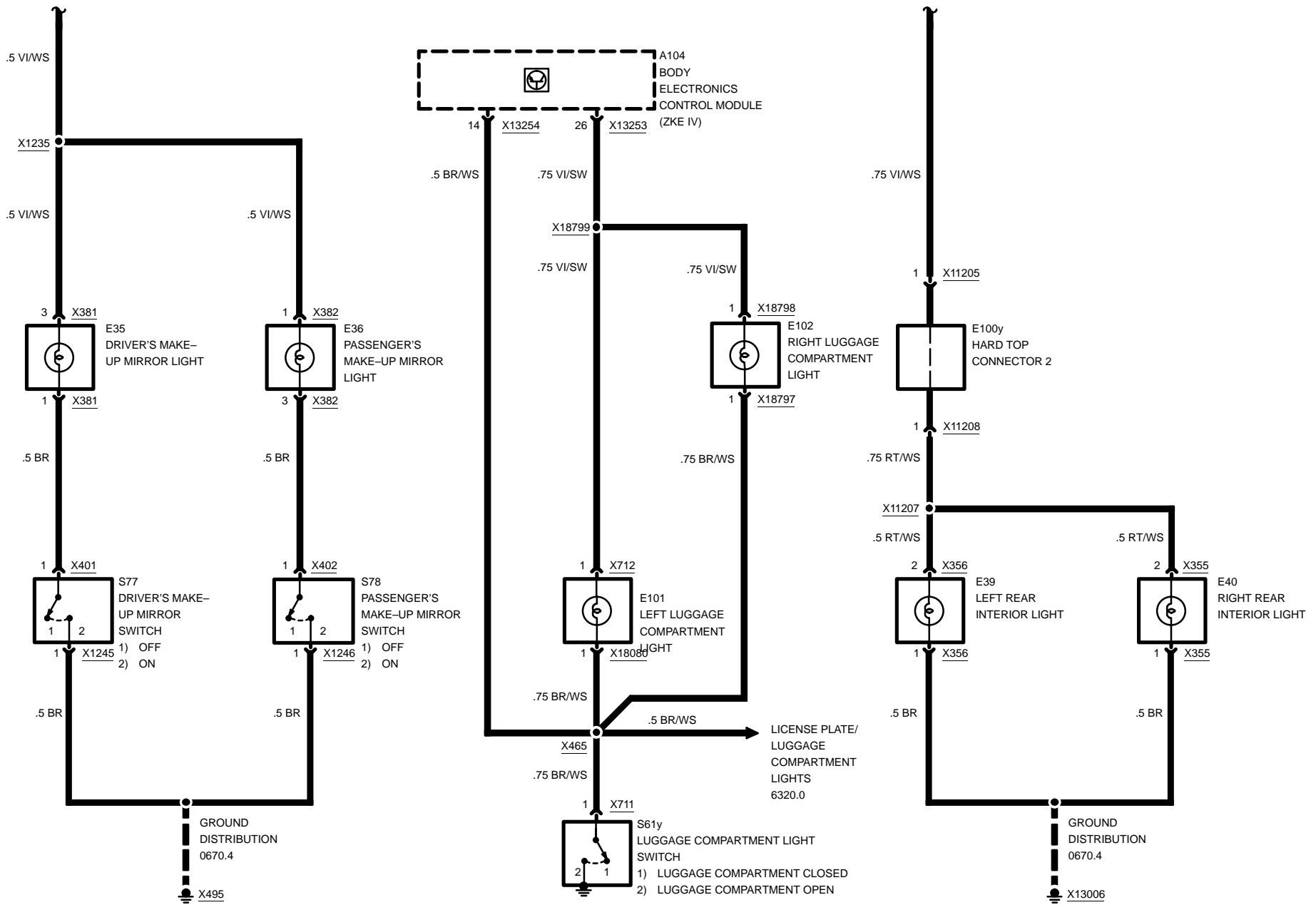
6330.3-00

1999



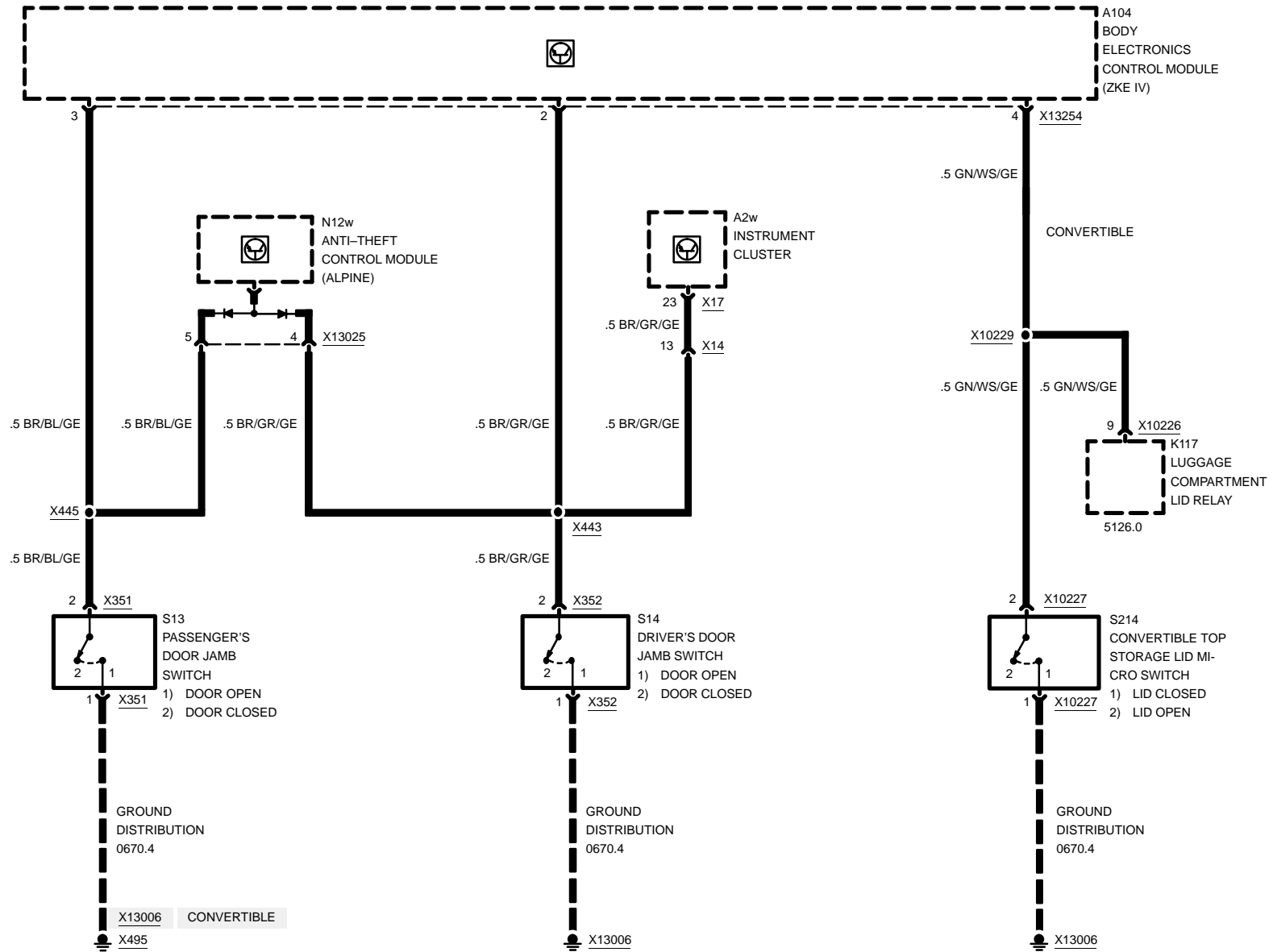
INTERIOR LIGHTS WITH REAR READING LIGHT





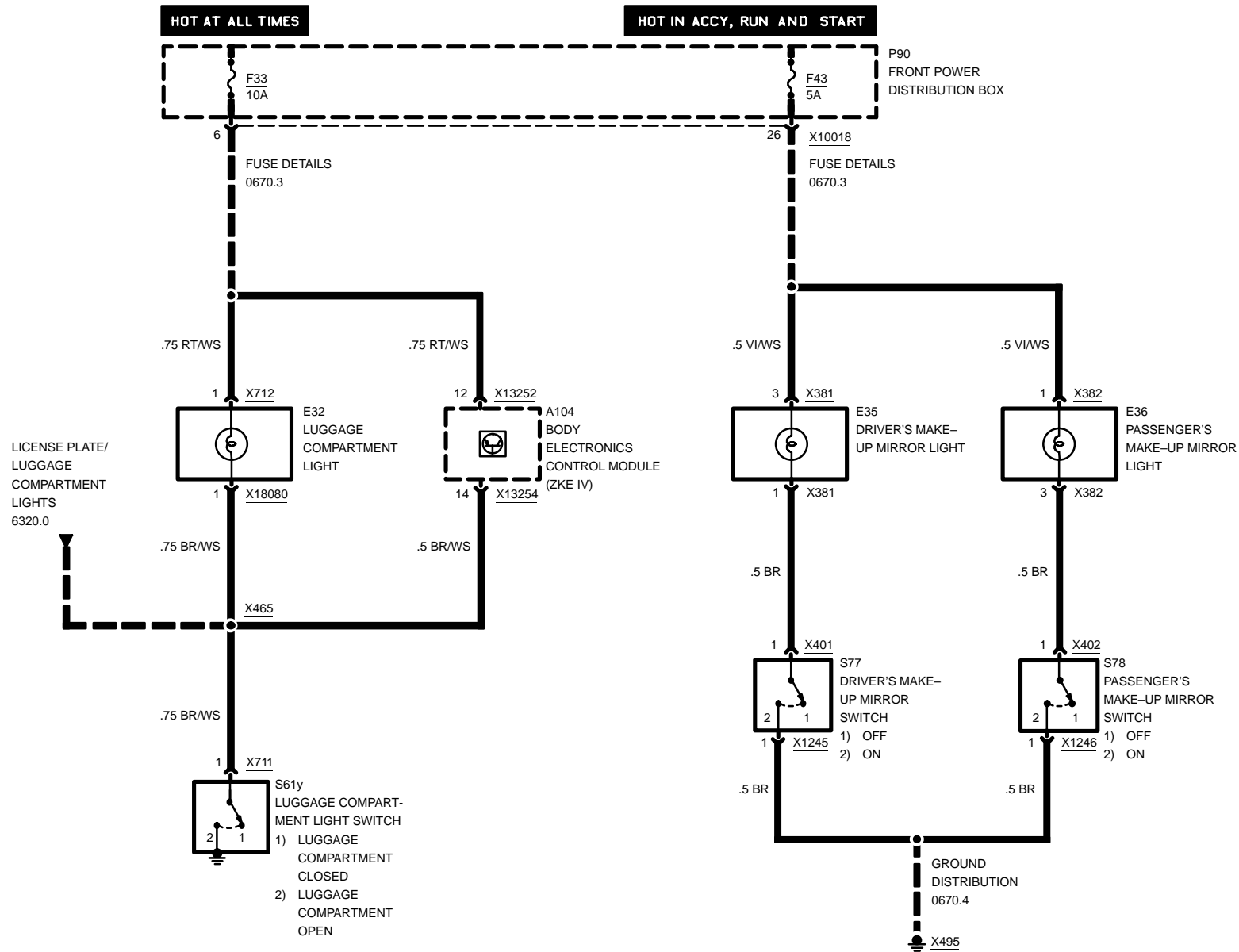


INTERIOR LIGHTS



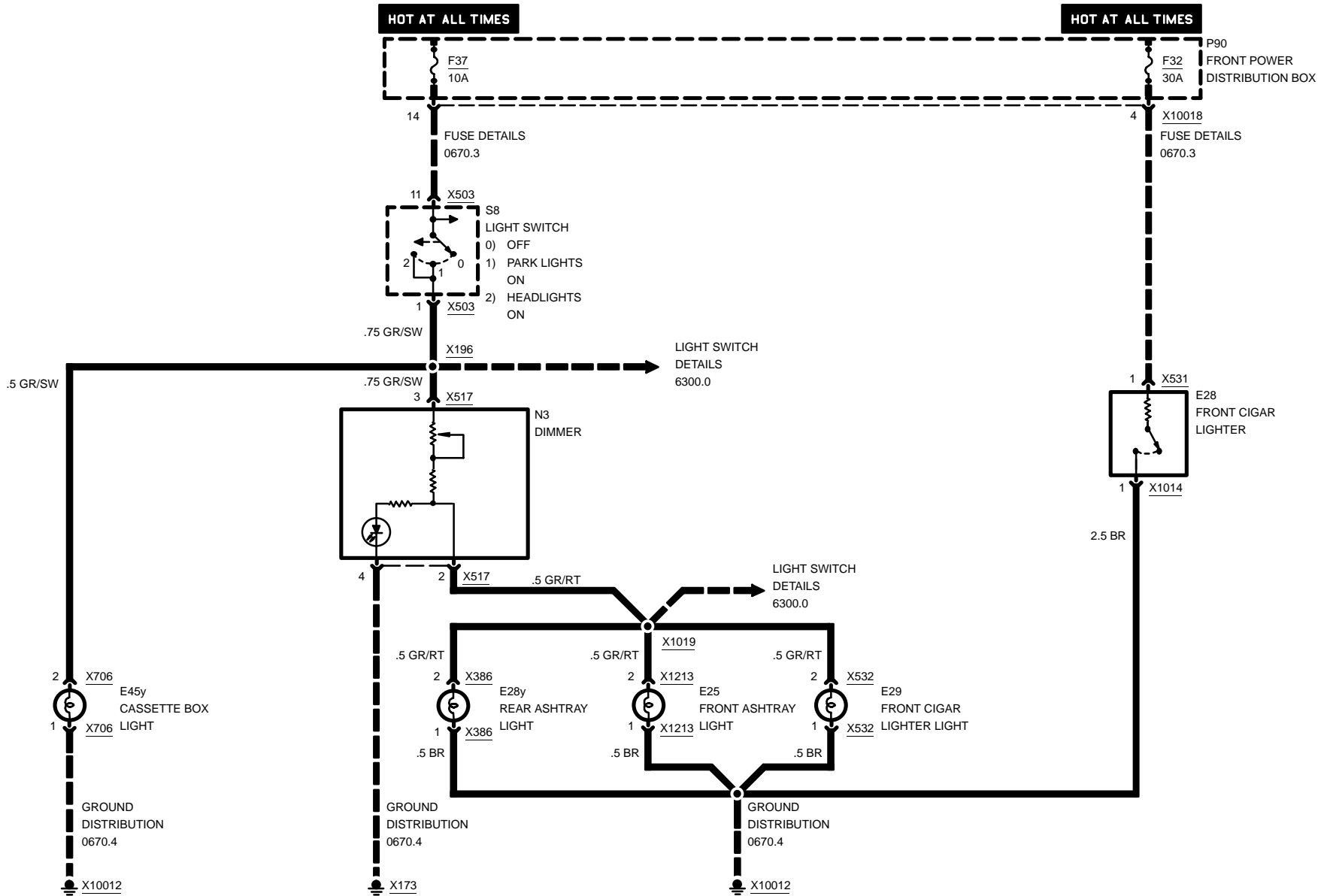


INTERIOR LIGHTS





6332.1 GLOVE BOX LIGHT/CASSETTE BOX/ASHTRAY L./CHARGING SOCKET/CIGAR LIGHTER



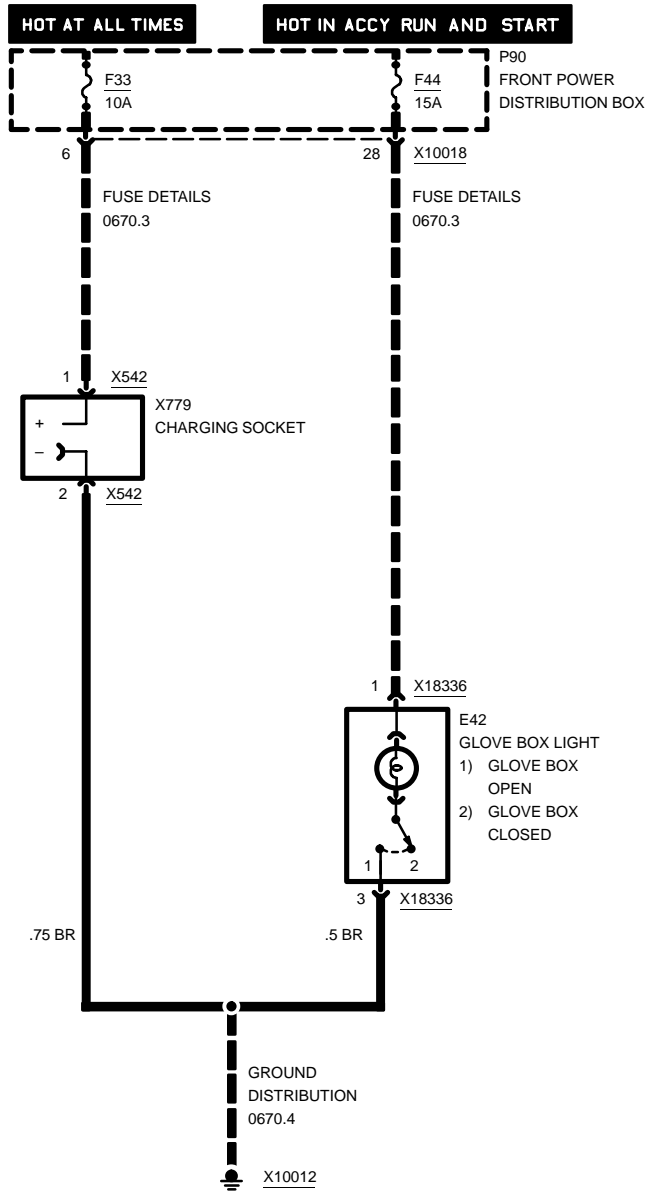
03/00

6332.1-00

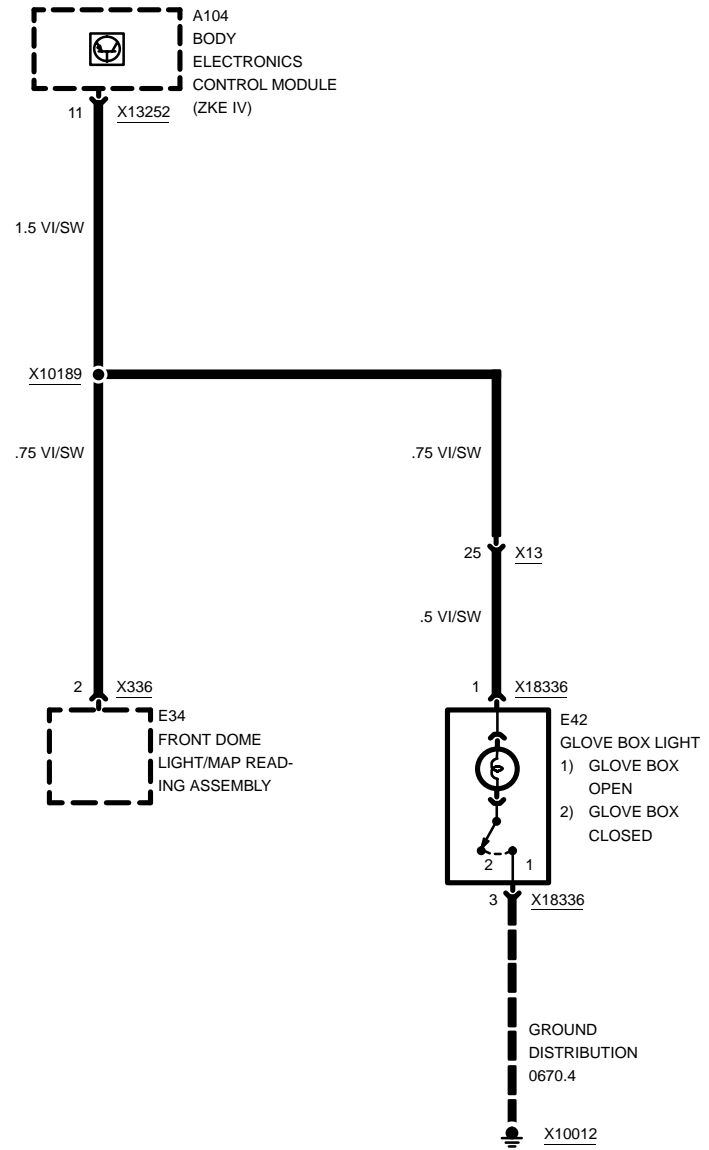
1999



GLOVE BOX LIGHT/CASSETTE BOX/ASHTRAY LIGHT/CHARGING SOCKET/CIGAR LIGHTER

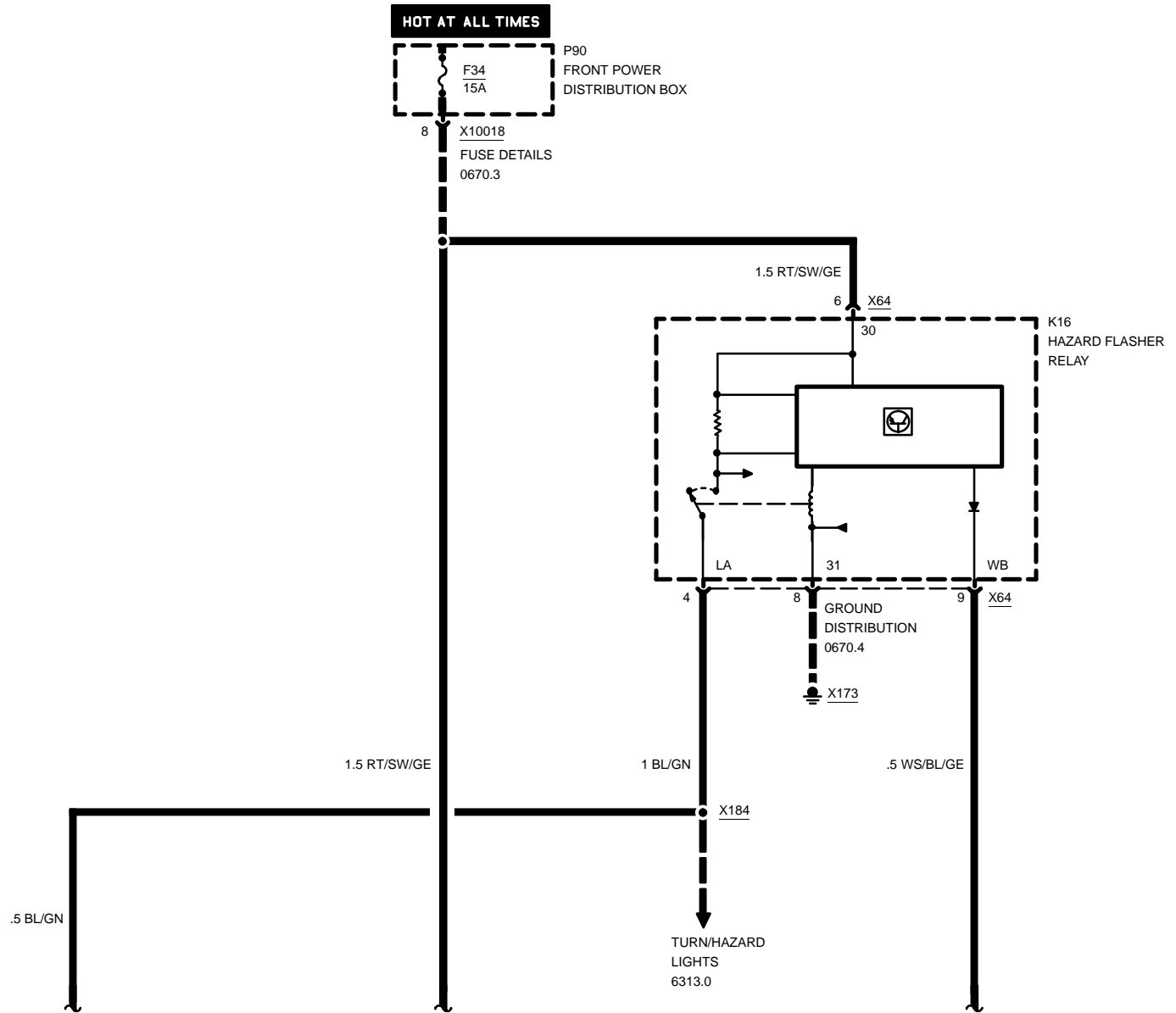


CONVERTIBLE





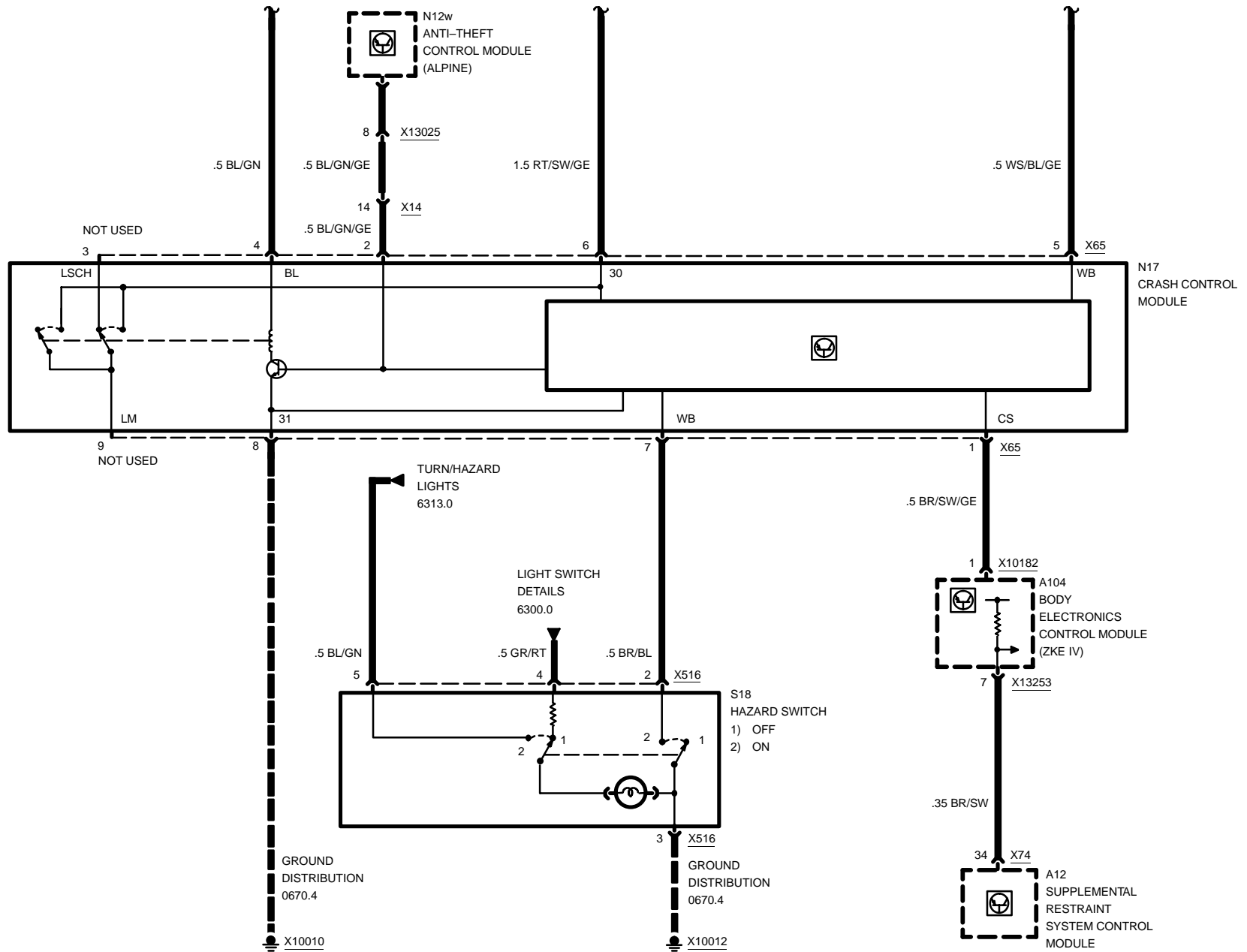
6350.0 CRASH CONTROL MODULE



03/00

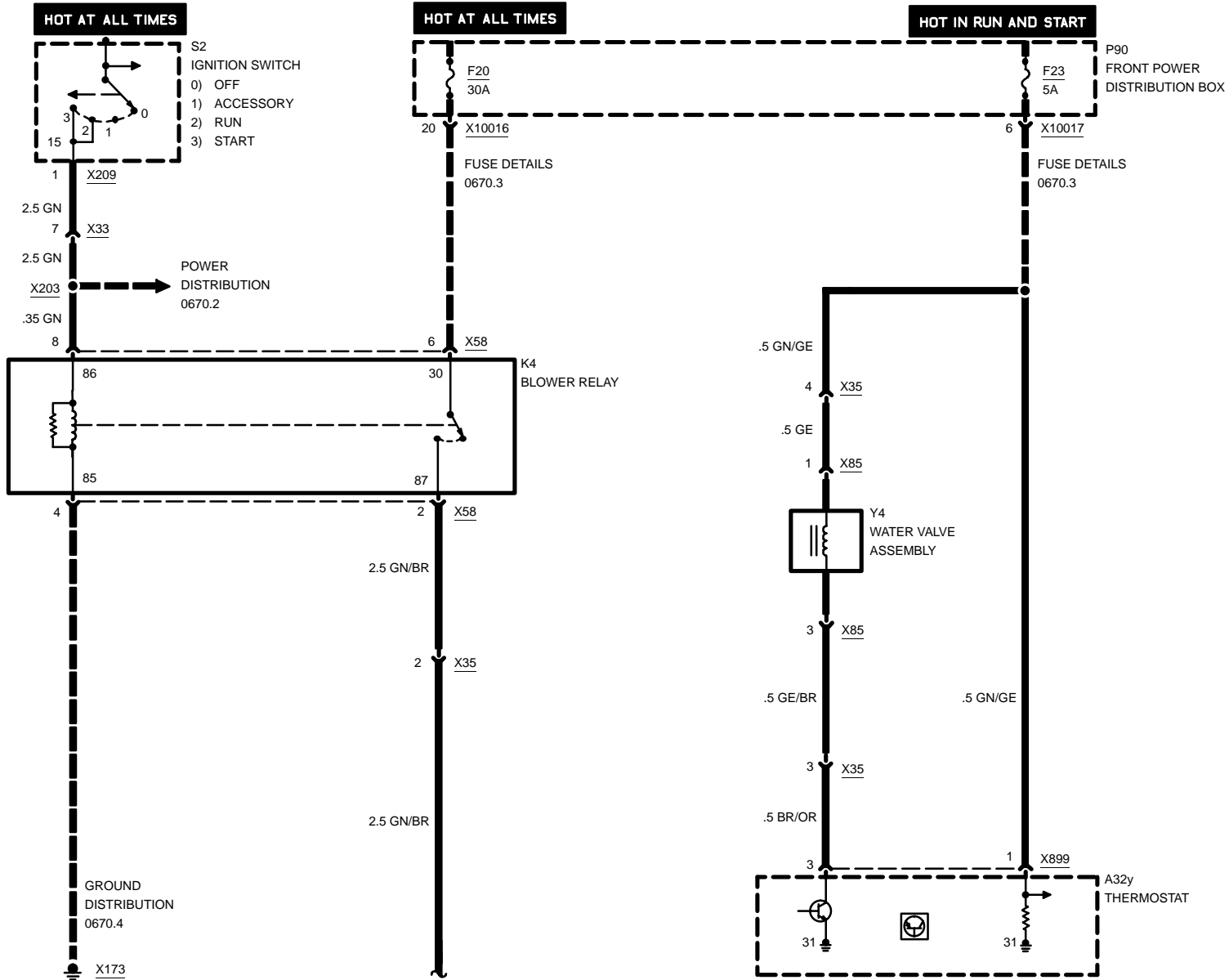
6350.0-00

1999





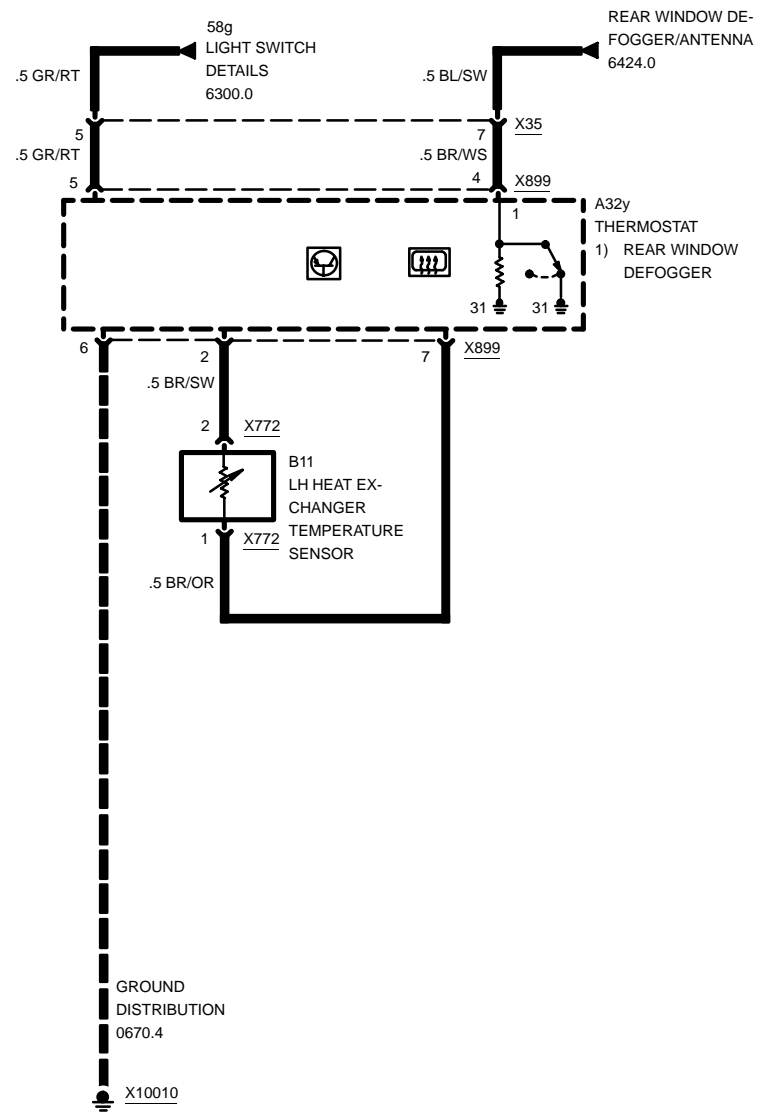
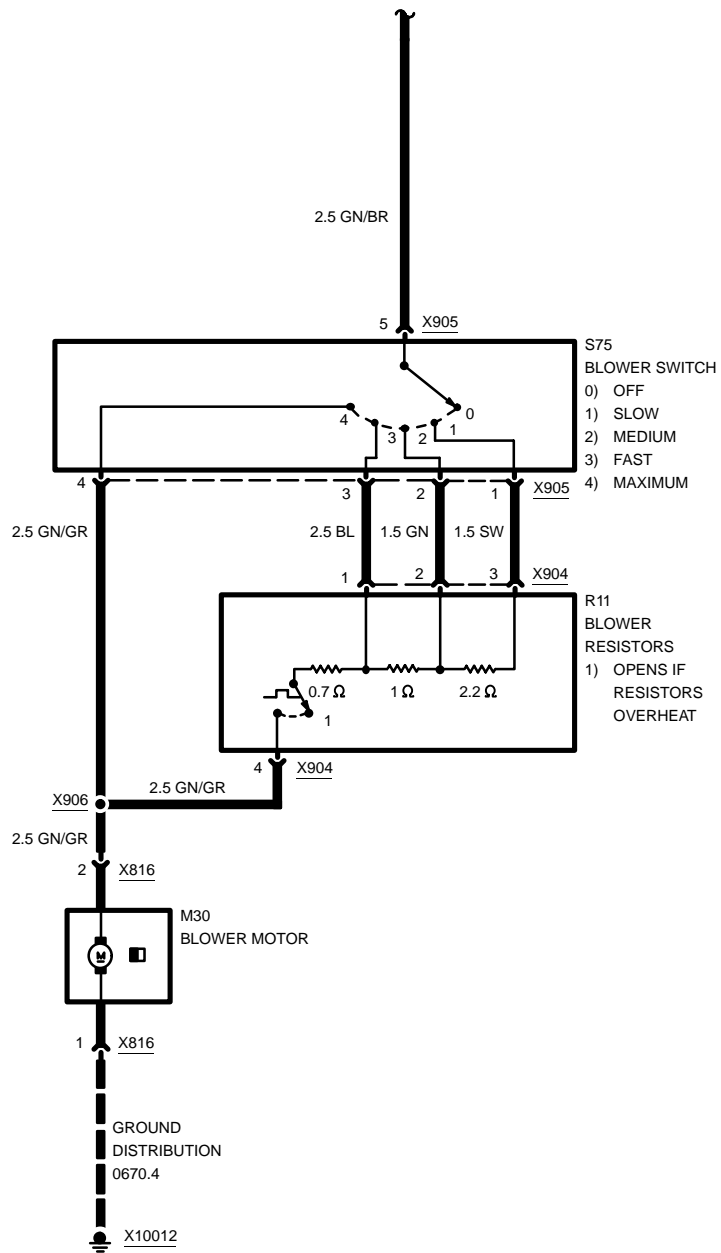
6410.5 HEATING CONTROL (HR)



03/00

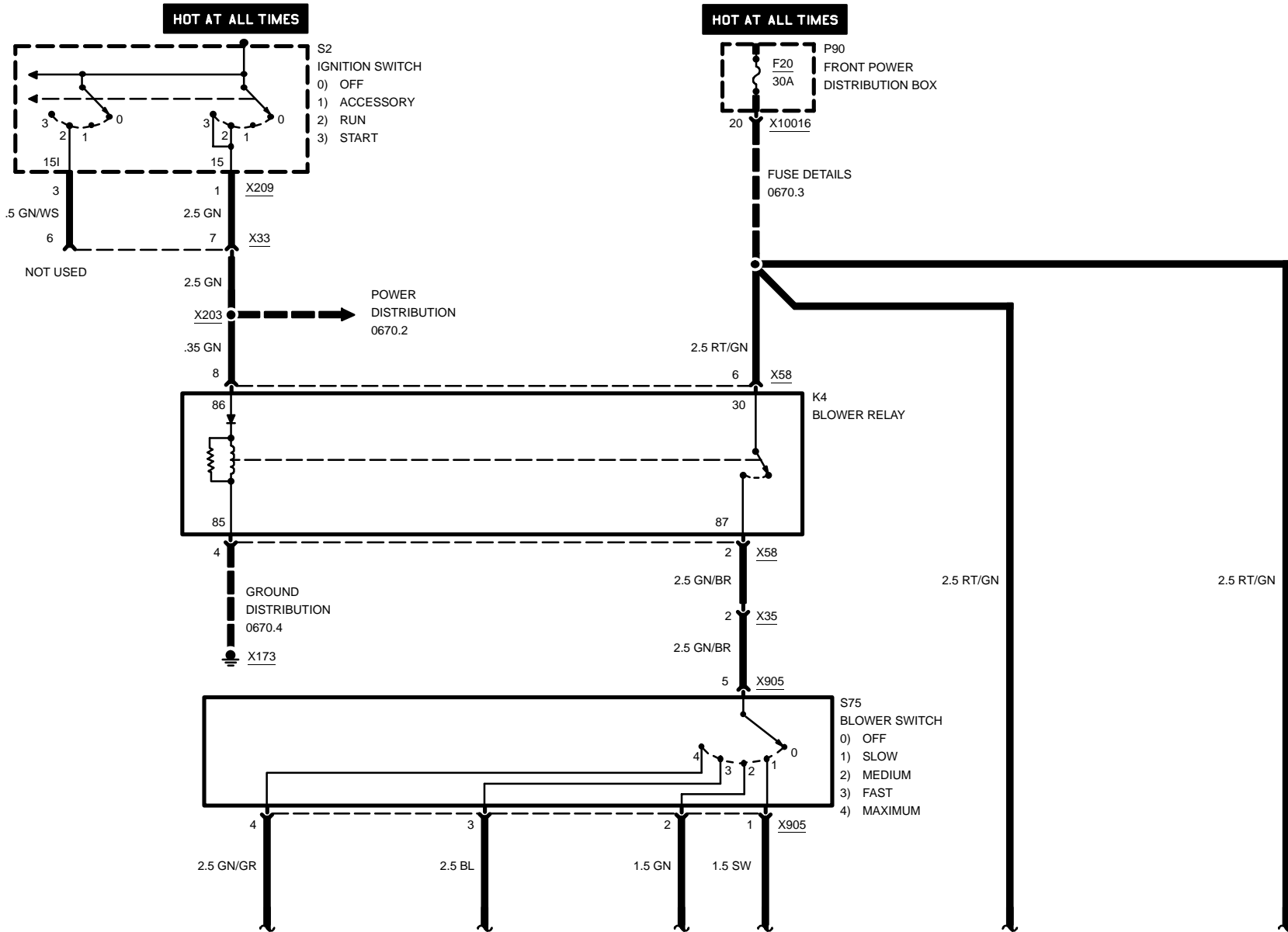
6410.5-00

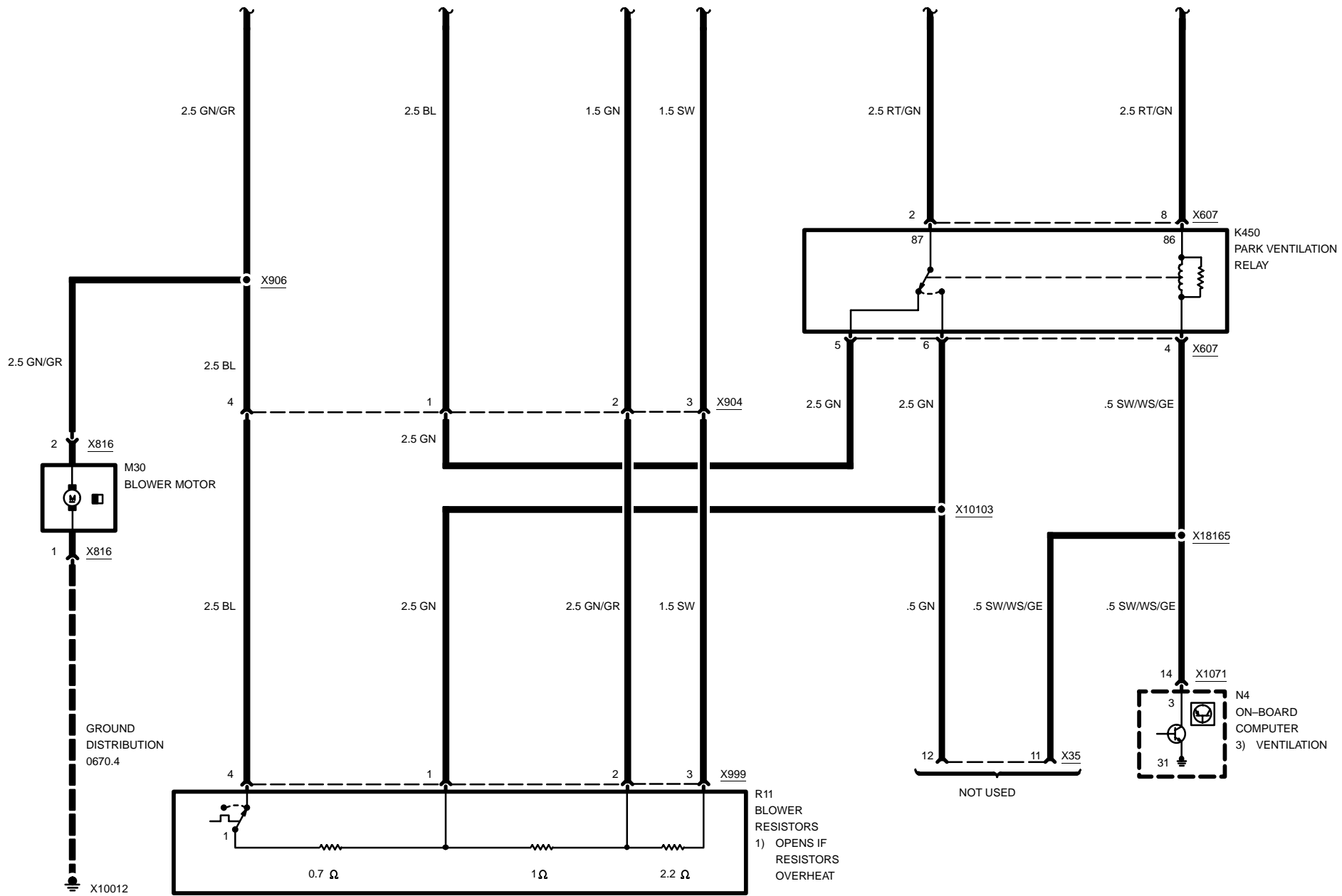
1999





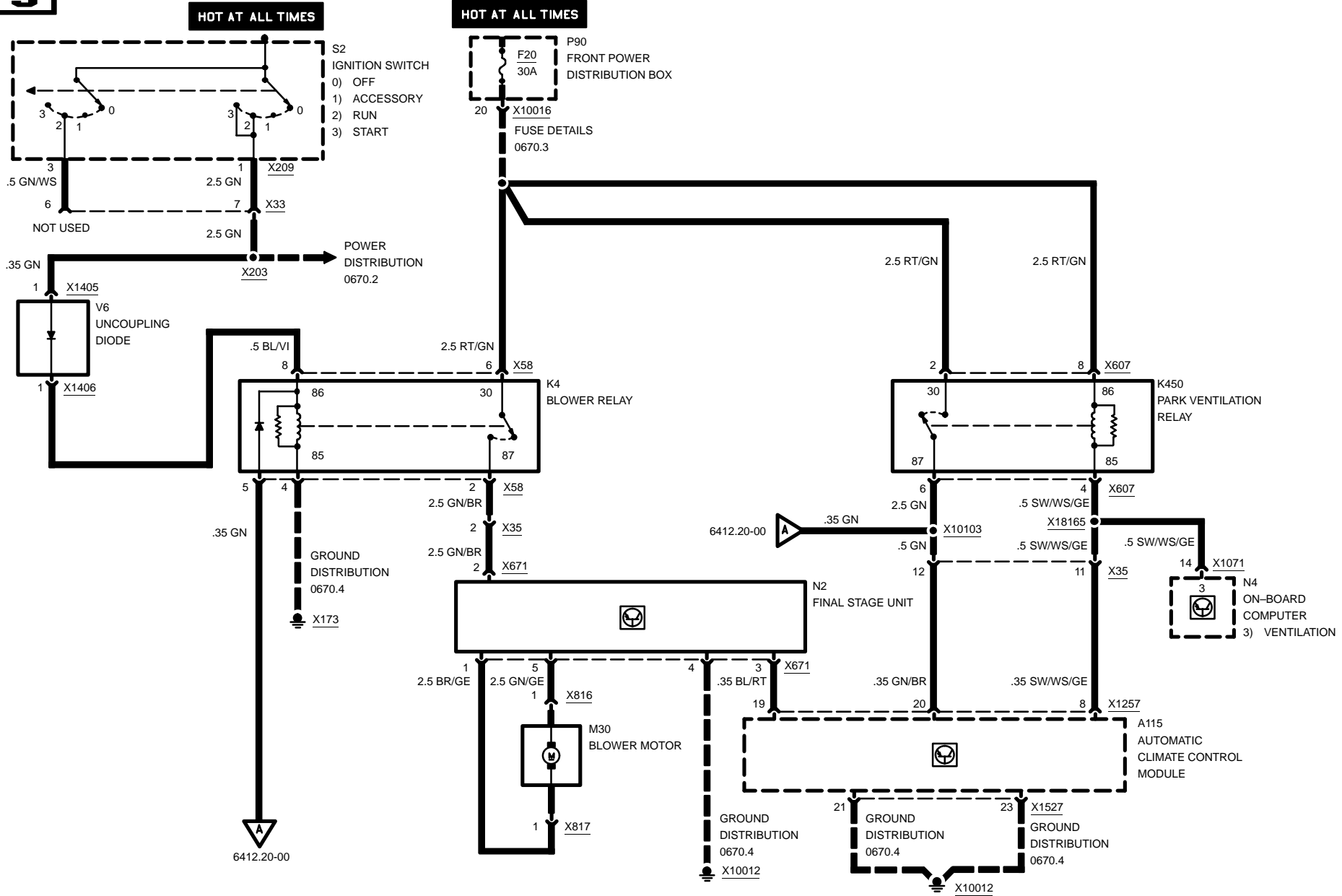
6412.10 PARK VENTILATION WITH HR







6412.20 PARK VENTILATION WITH IHKA E36

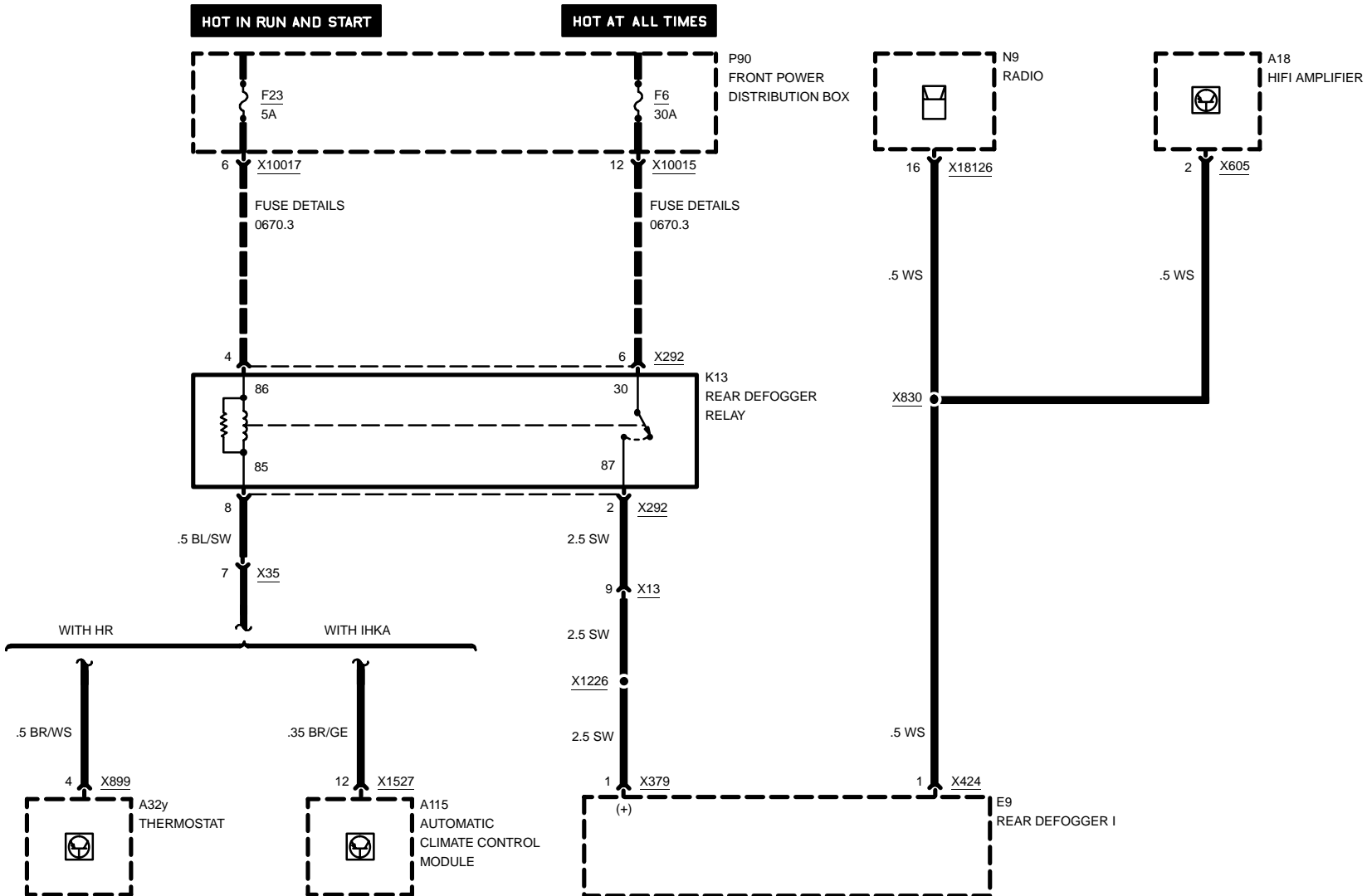


03/00

6412.20-00

1999

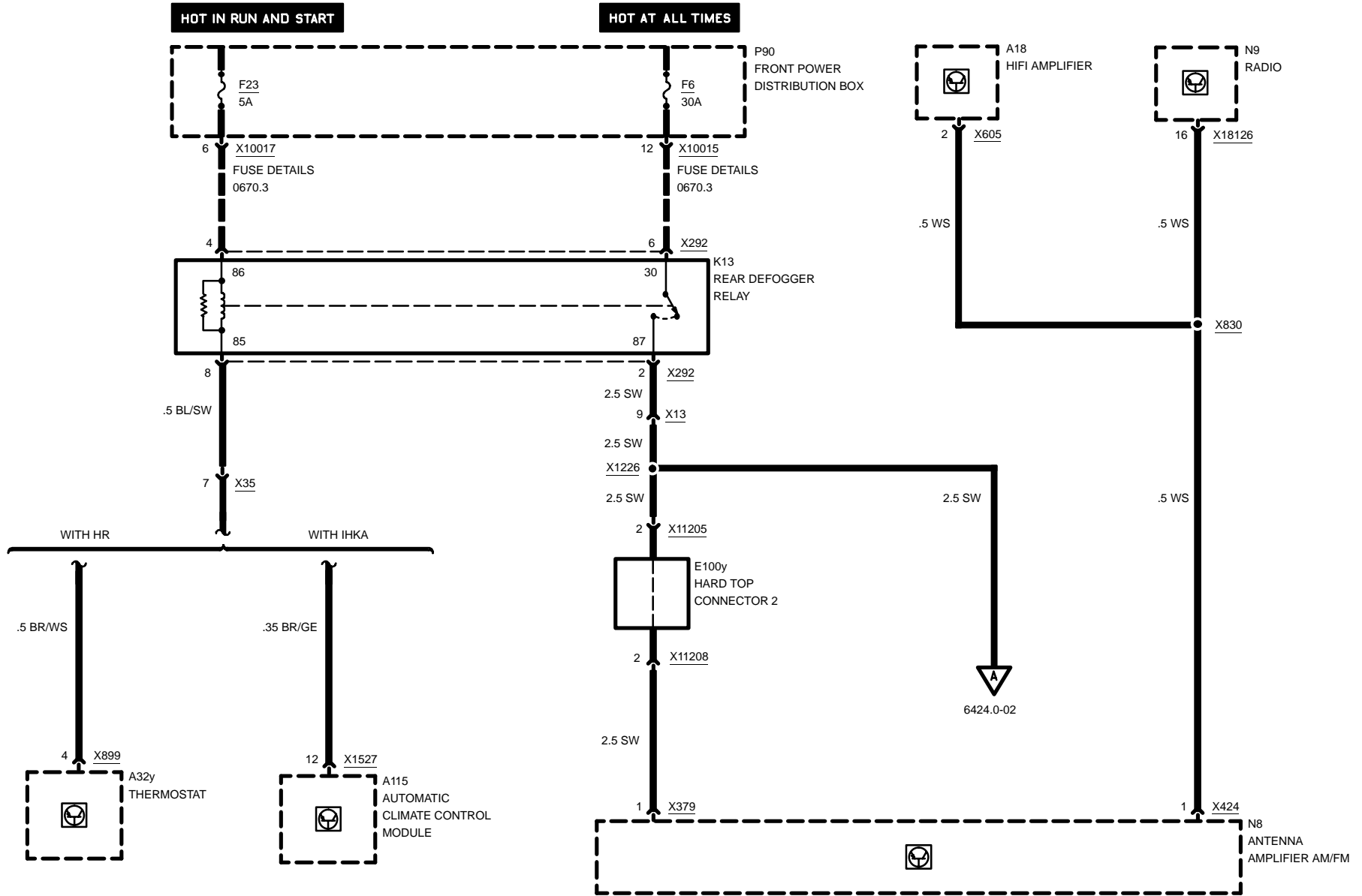
6424.0 REAR WINDOW DEFOGGER/ANTENNA





REAR WINDOW DEFOGGER/ANTENNA

CONVERTIBLE



03/00

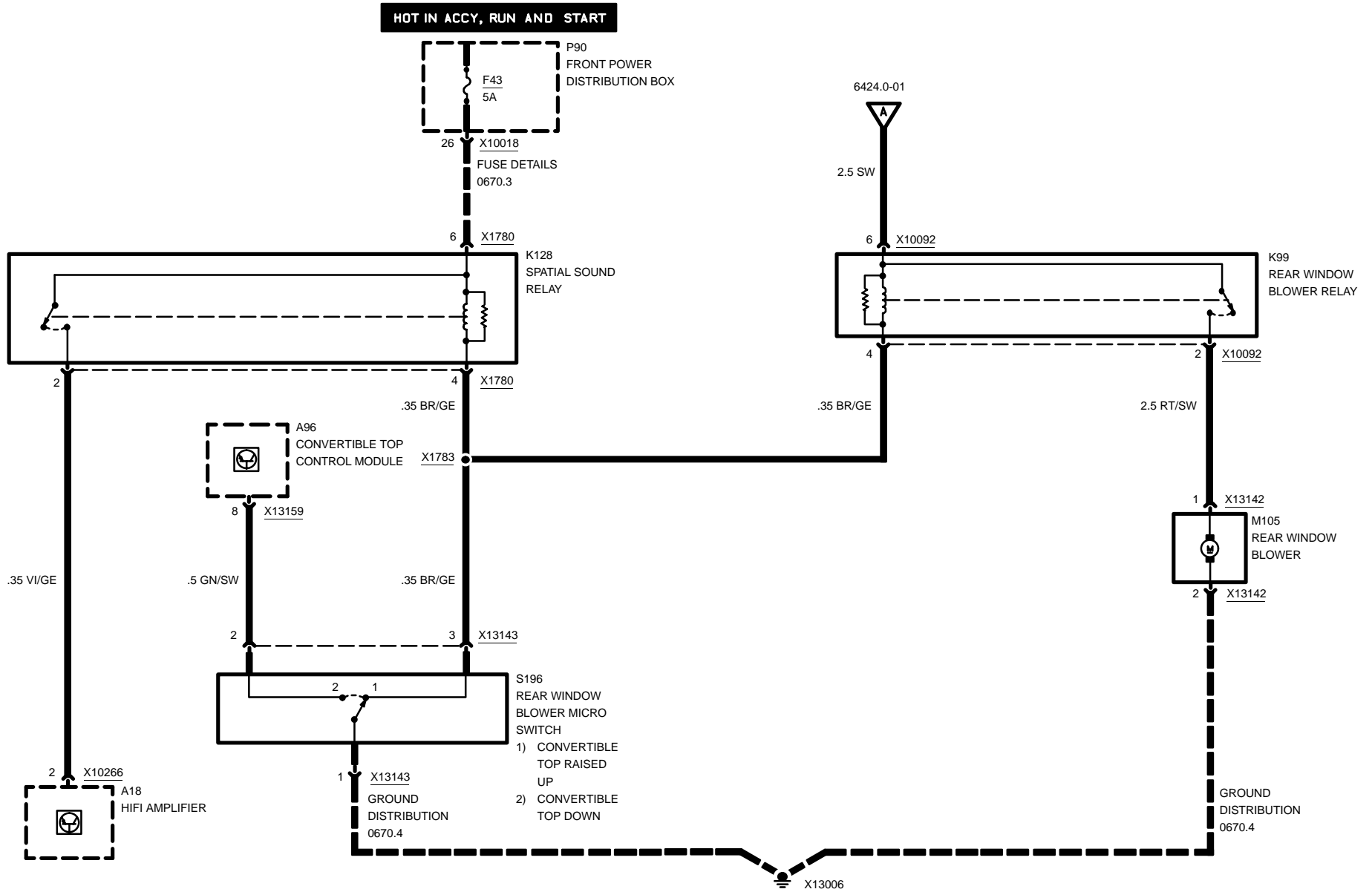
6424.0-01

1999



REAR WINDOW DEFOGGER/ANTENNA

CONVERTIBLE



03/00

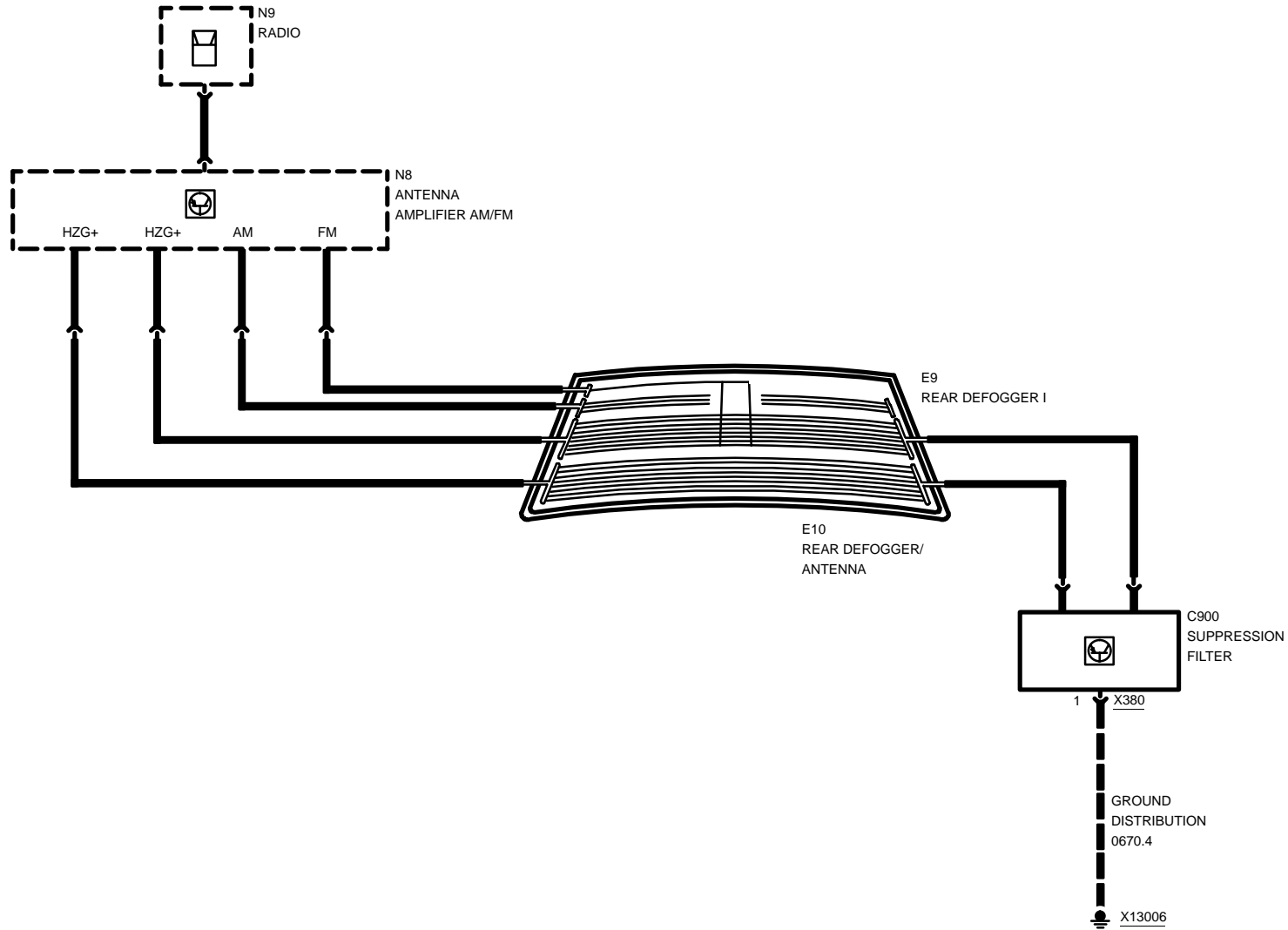
6424.0-02

1999



REAR WINDOW DEFOGGER/ANTENNA

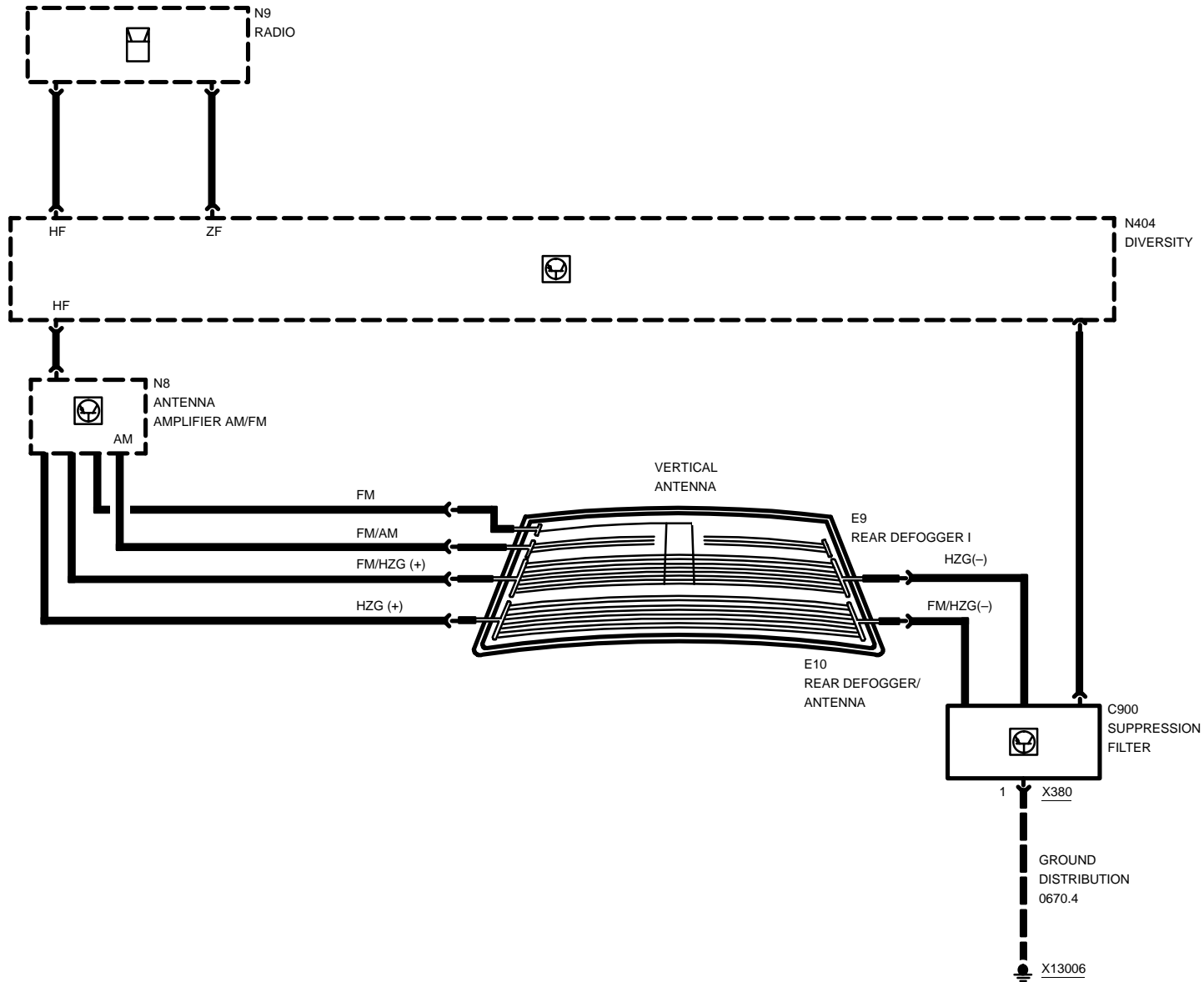
REAR WINDOW ANTENNA





REAR WINDOW DEFOGGER/ANTENNA

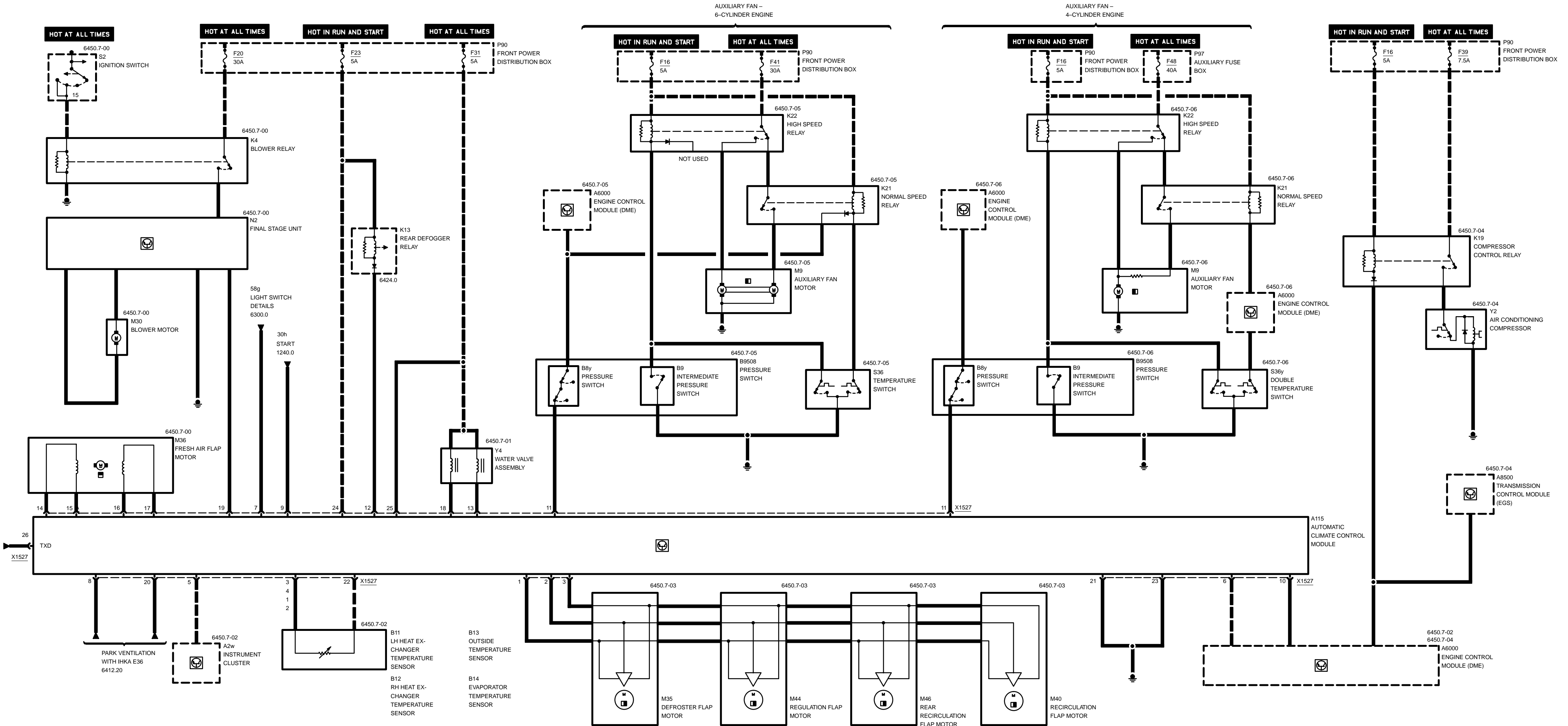
3-ANTENNA-DIVERSITY

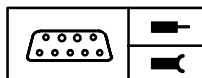


03/00

6424.0-04

1999





Pin Assignments

X1527

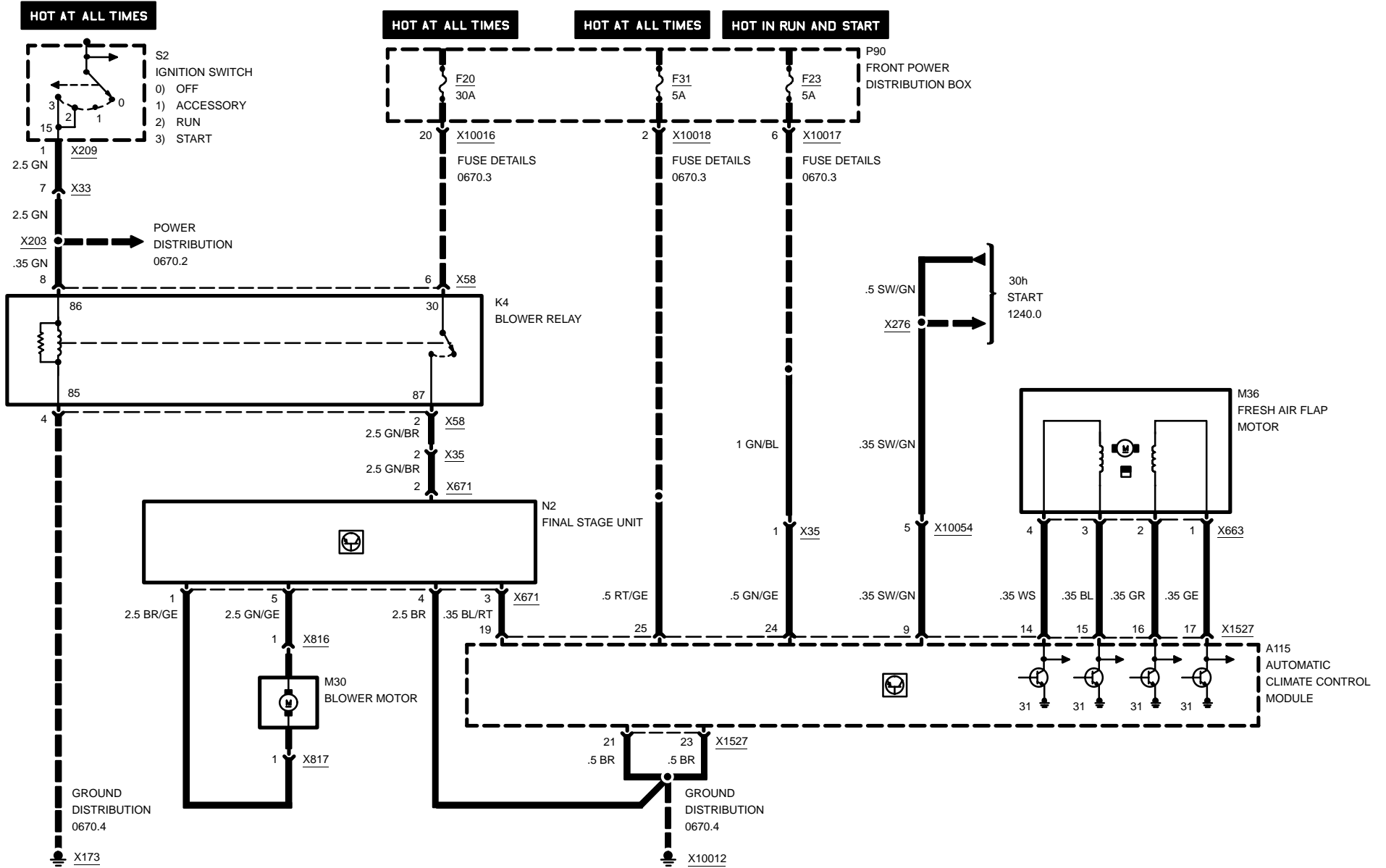
Pin	Type	Description/Function	Connection
1	E	Outside temperature	Outside temperature sensor
2	E	Evaporator temperature	Evaporator temperature sensor
3	E	Heater temperature, left	Left heat exchanger temperature sensor
4	E	Heater temperature, right	Right heat exchanger temperature sensor
5	E	Vehicle speed signal (Speedometer output signal)	Instrument cluster
6	E	RPM speed signal TD	Engine control module (DME)
7	E	Illumination input	Illumination
8	A	Output signal	On-board computer
9	E	Terminal 50	Starter
10	A	RPM speed increase	Engine control module (DME)
11	A	A/C compressor activation	Pressure switch
12	A	Rear window signal	Rear window
13	A	Water valve activation, right	Right water valve
14	A	Fresh air flap motor activation	Fresh air flap motor
15	A	Fresh air flap motor activation	Fresh air flap motor
16	A	Fresh air flap motor activation	Fresh air flap motor
17	A	Fresh air flap motor activation	Fresh air flap motor
18	A	Water valve activation, left	Left water valve
19	A	A/C fan activation	A/C fan final stage
20	E	Independent ventilation	Relay box
21	M	Ground	Control panel
22	M	Ground	Mixing actuator
23	M	Ground	Control panel
24	E	Terminal 15	Fuse
25	E	Terminal 30	Fuse
26	E/A	Diagnostic data link	Data link connector

E = Input, A = Output, M = Ground



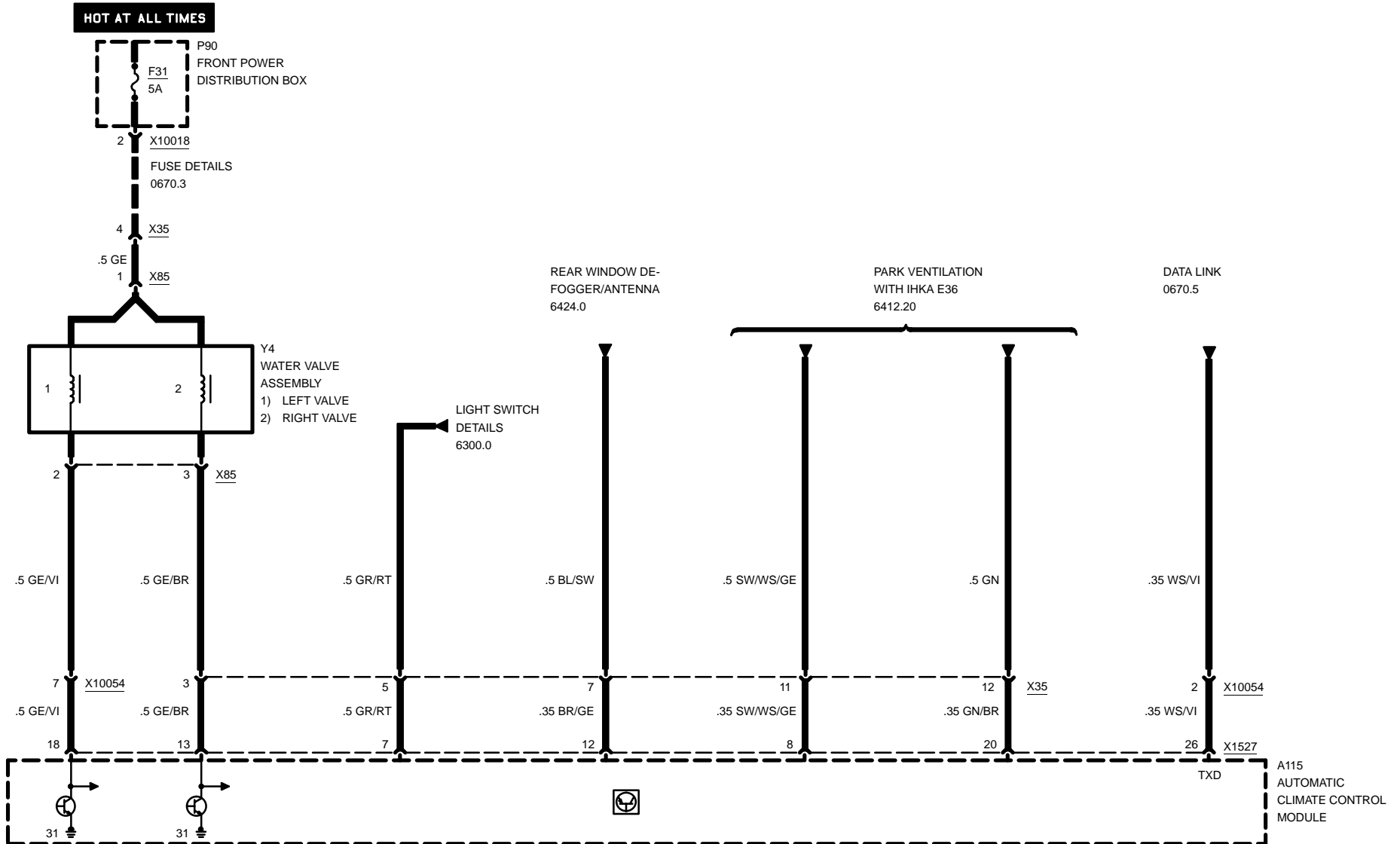
INTEGRATED CLIMATE REGULATION (IHKA E36)

POWER, AIR FLOW CONTROL





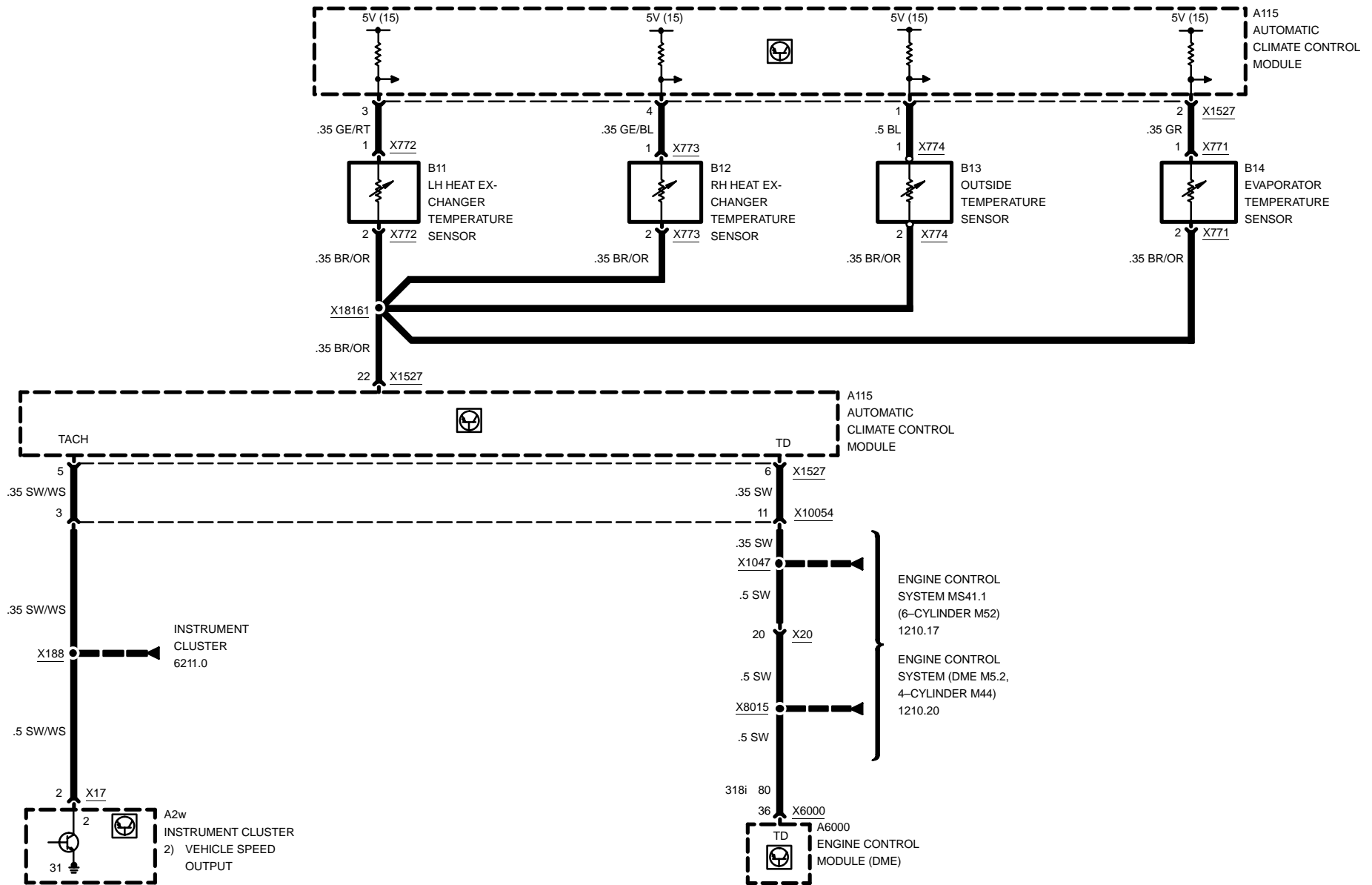
INTEGRATED CLIMATE REGULATION (IHKA E36)





INTEGRATED CLIMATE REGULATION (IHKA E36)

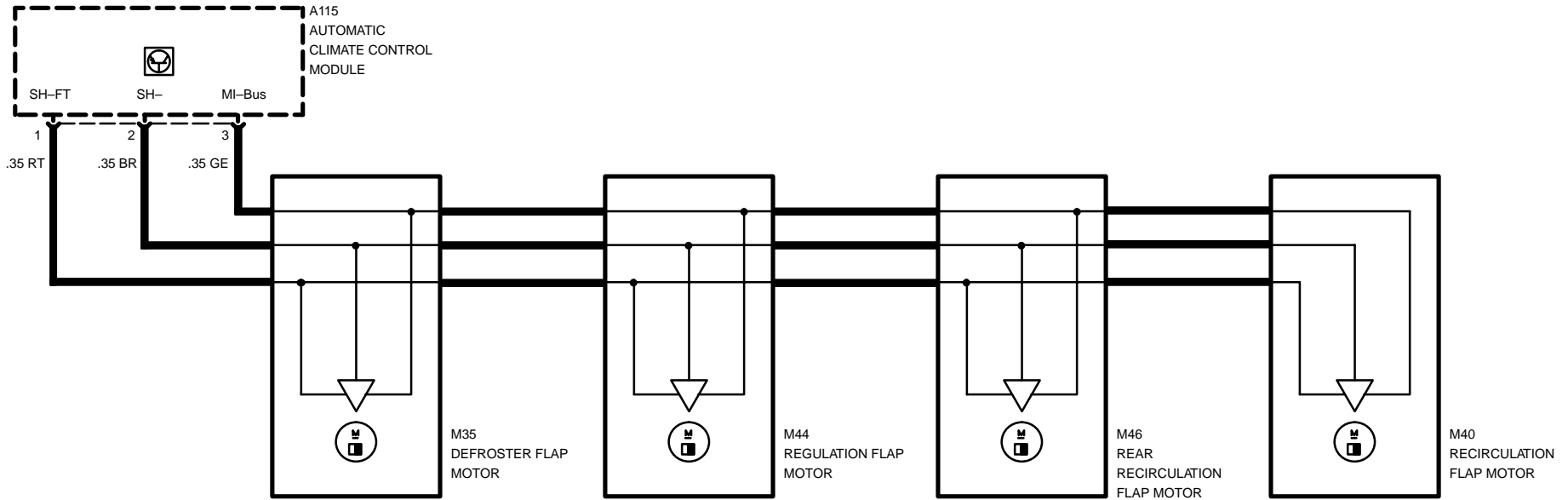
TEMPERATURE CONTROL





INTEGRATED CLIMATE REGULATION (IHKA E36)

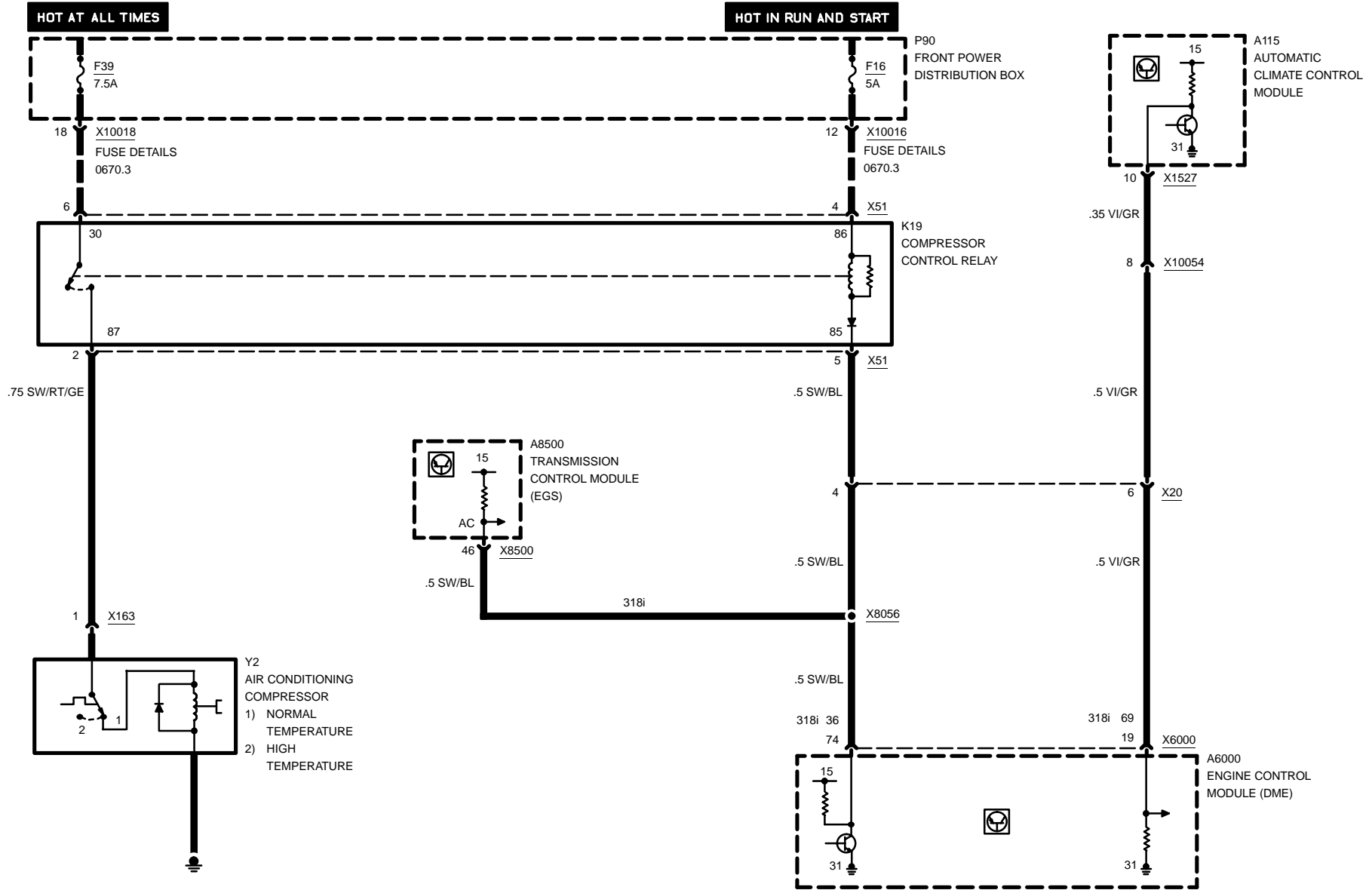
AIR DELIVERY





INTEGRATED CLIMATE REGULATION (IHKA E36)

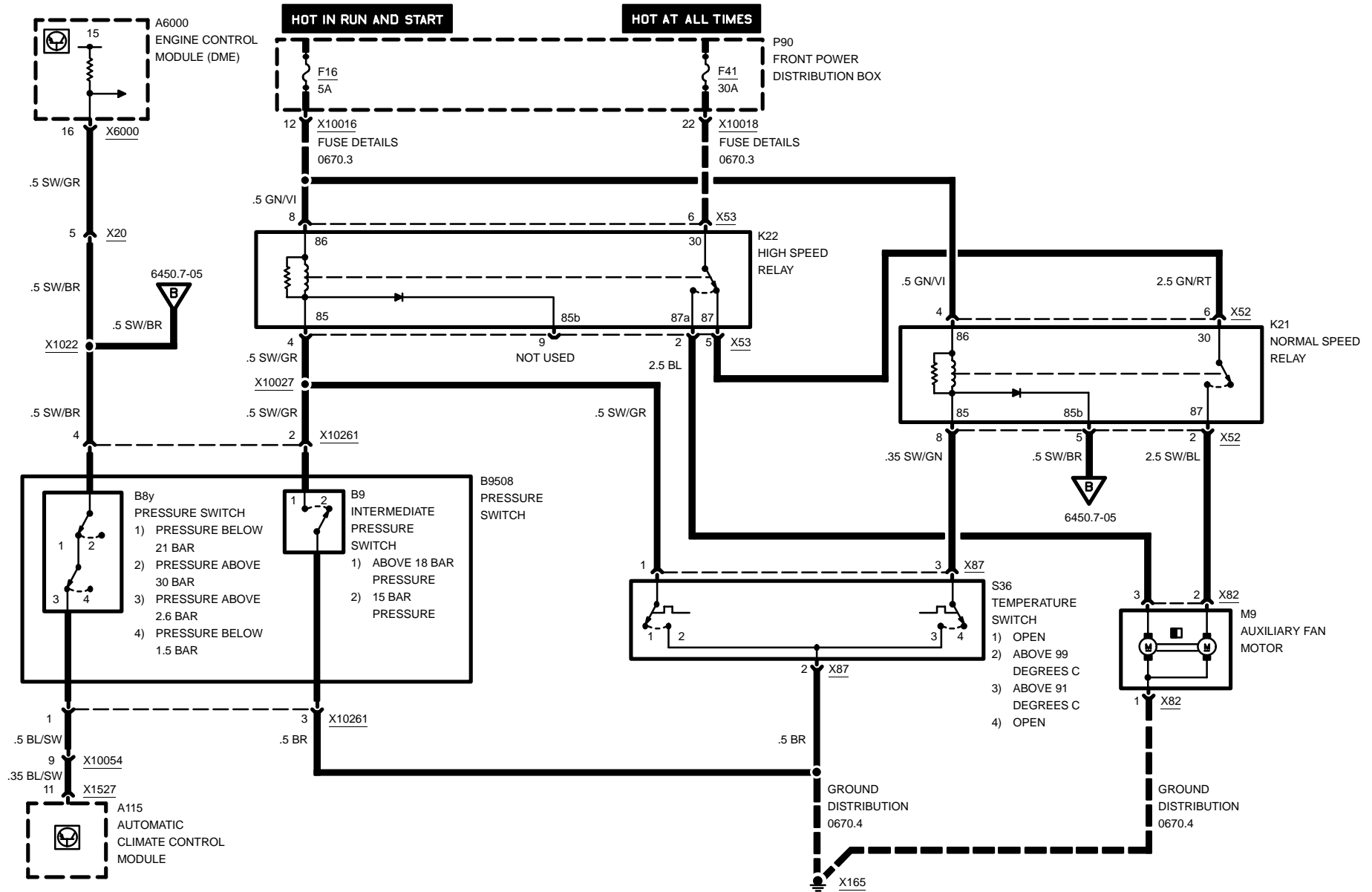
COMPRESSOR CONTROLS





INTEGRATED CLIMATE REGULATION (IHKA E36)

AUXILIARY FAN - 6-CYLINDER ENGINE



03/00

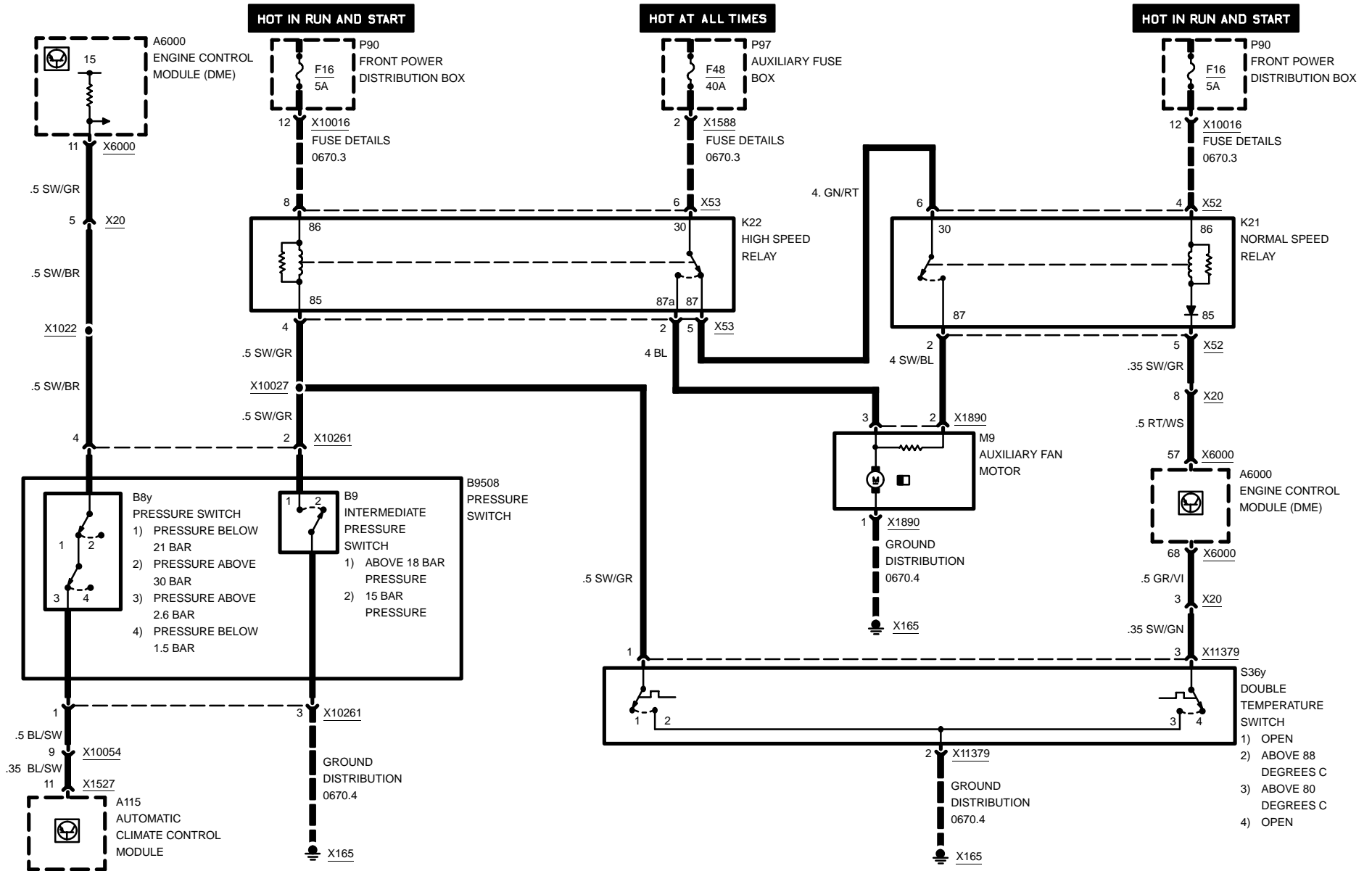
6450.7-05

1999



INTEGRATED CLIMATE REGULATION (IHKA E36)

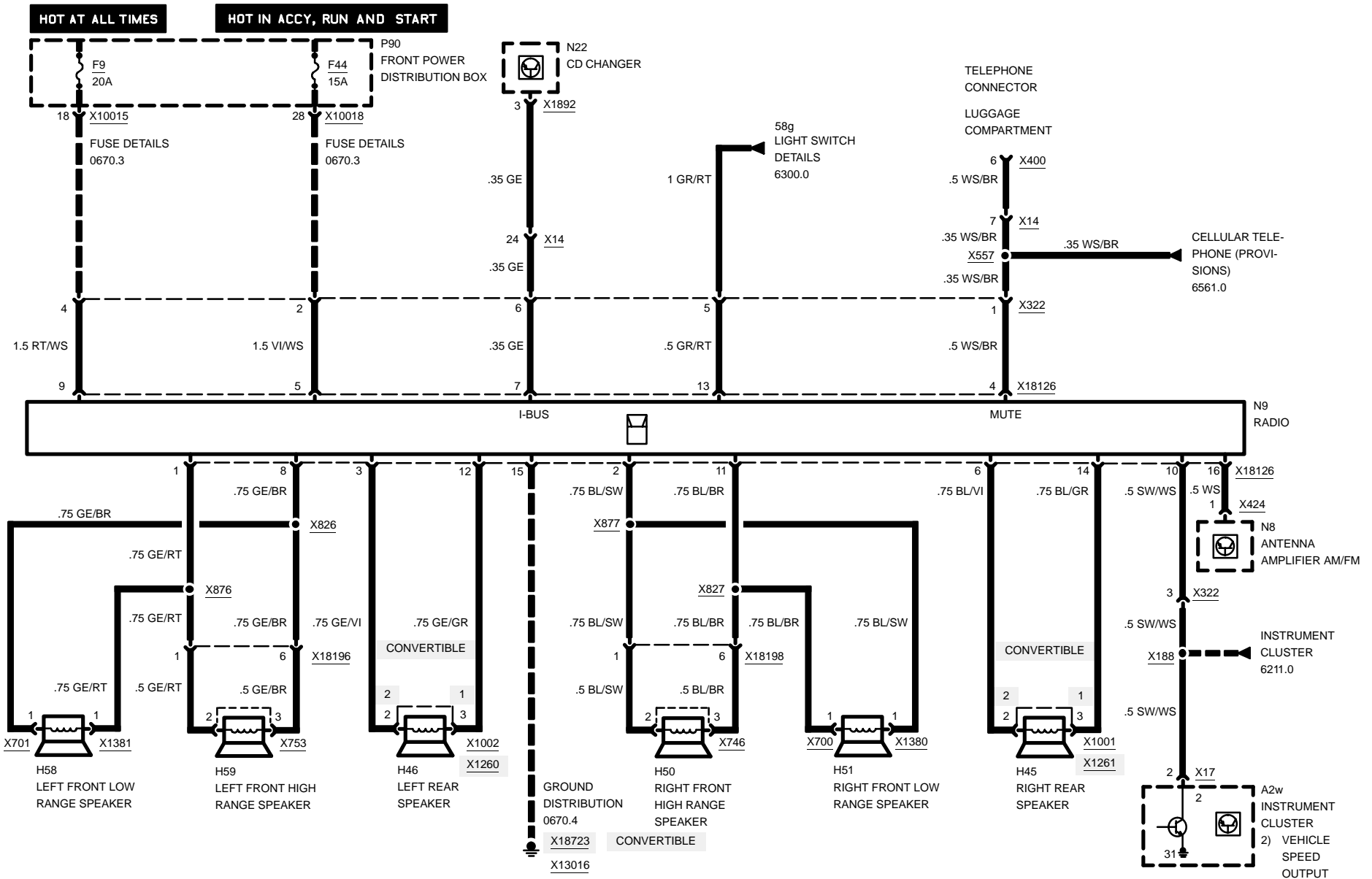
AUXILIARY FAN – 4-CYLINDER ENGINE





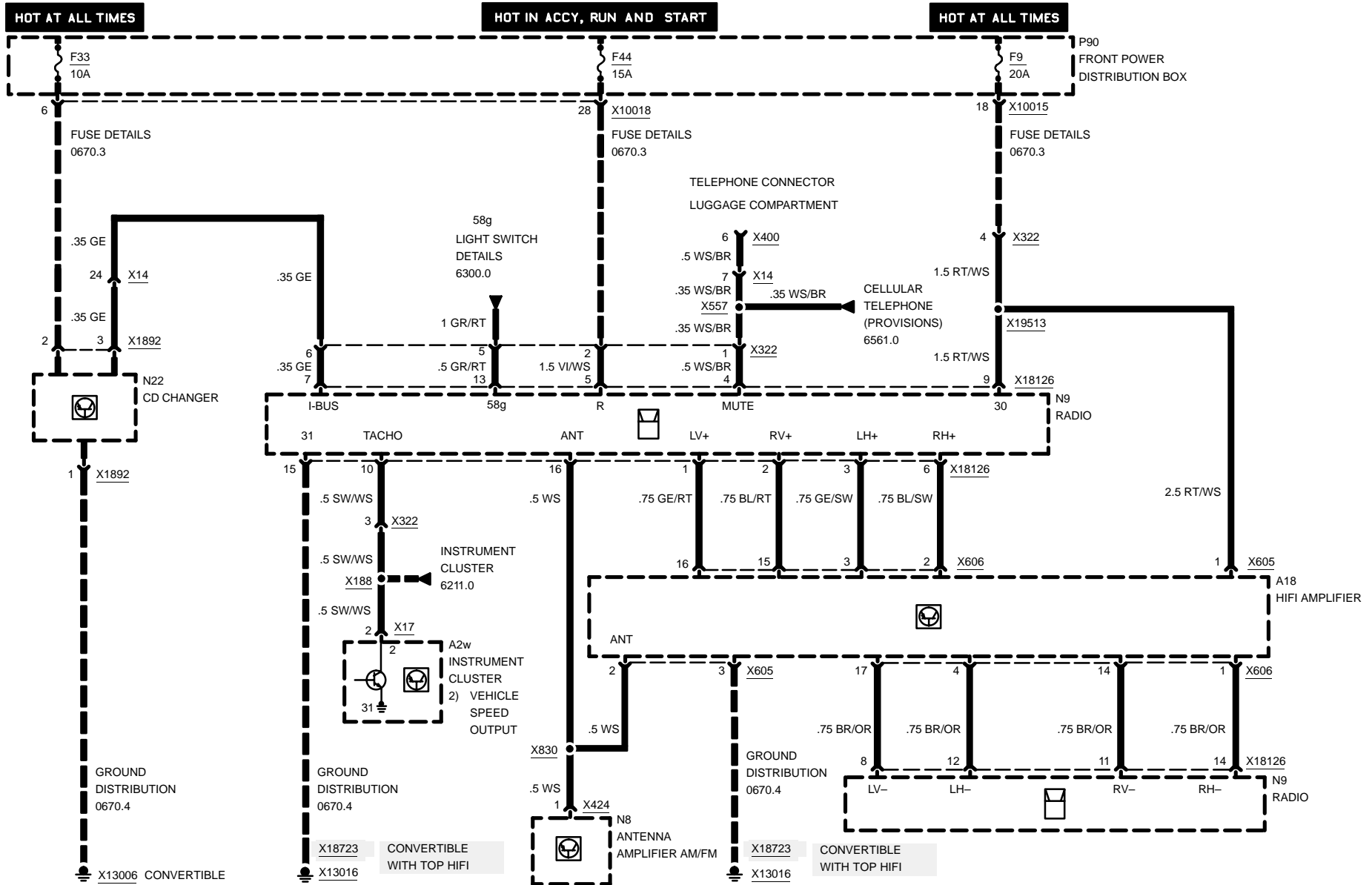
6510.0 RADIO/STEREO

STEREO, 6-SPEAKER SYSTEM





6510.1 RADIO/HIFI/TOP HIFI



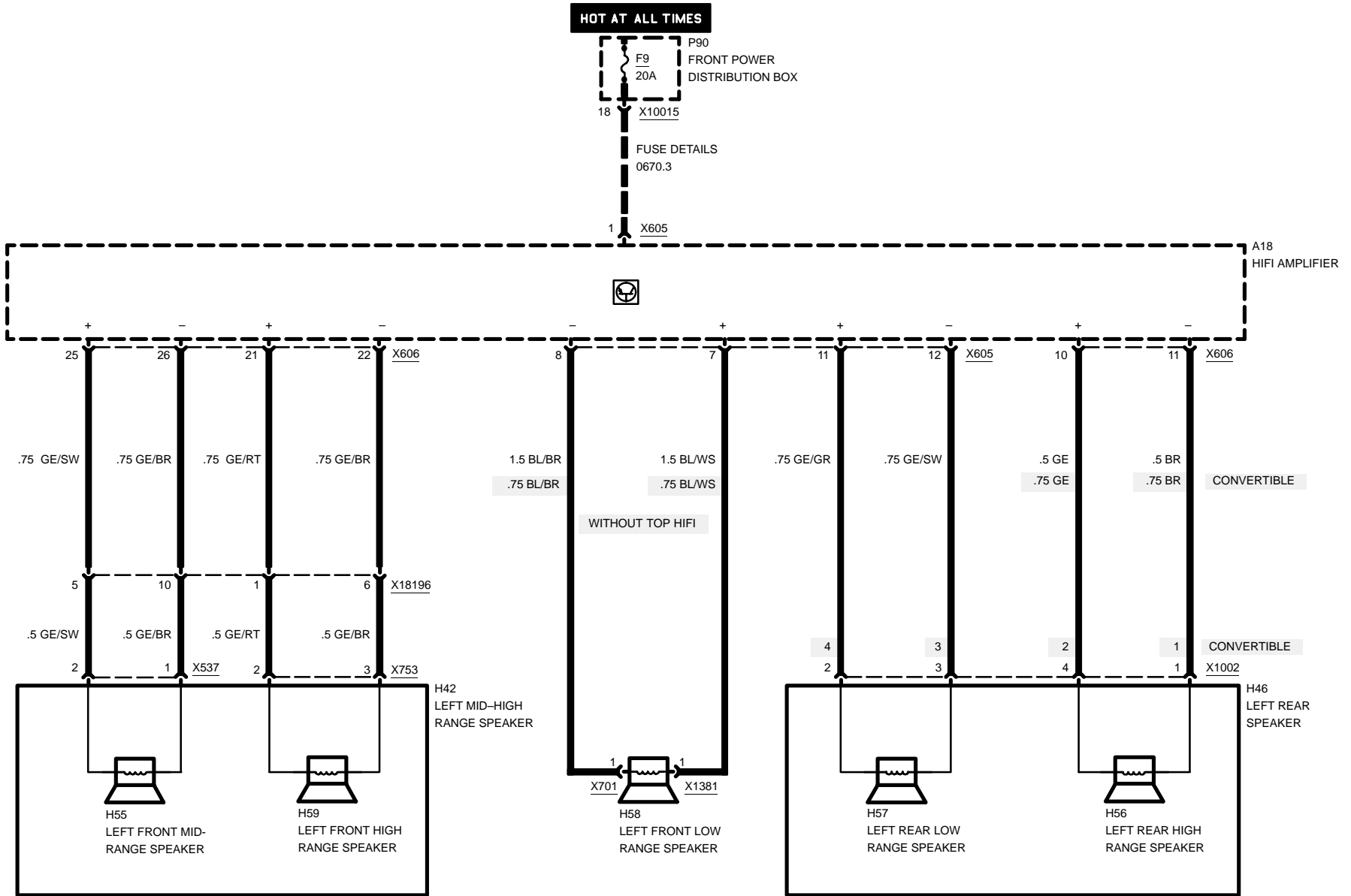
03/00

6510.1-00

1999

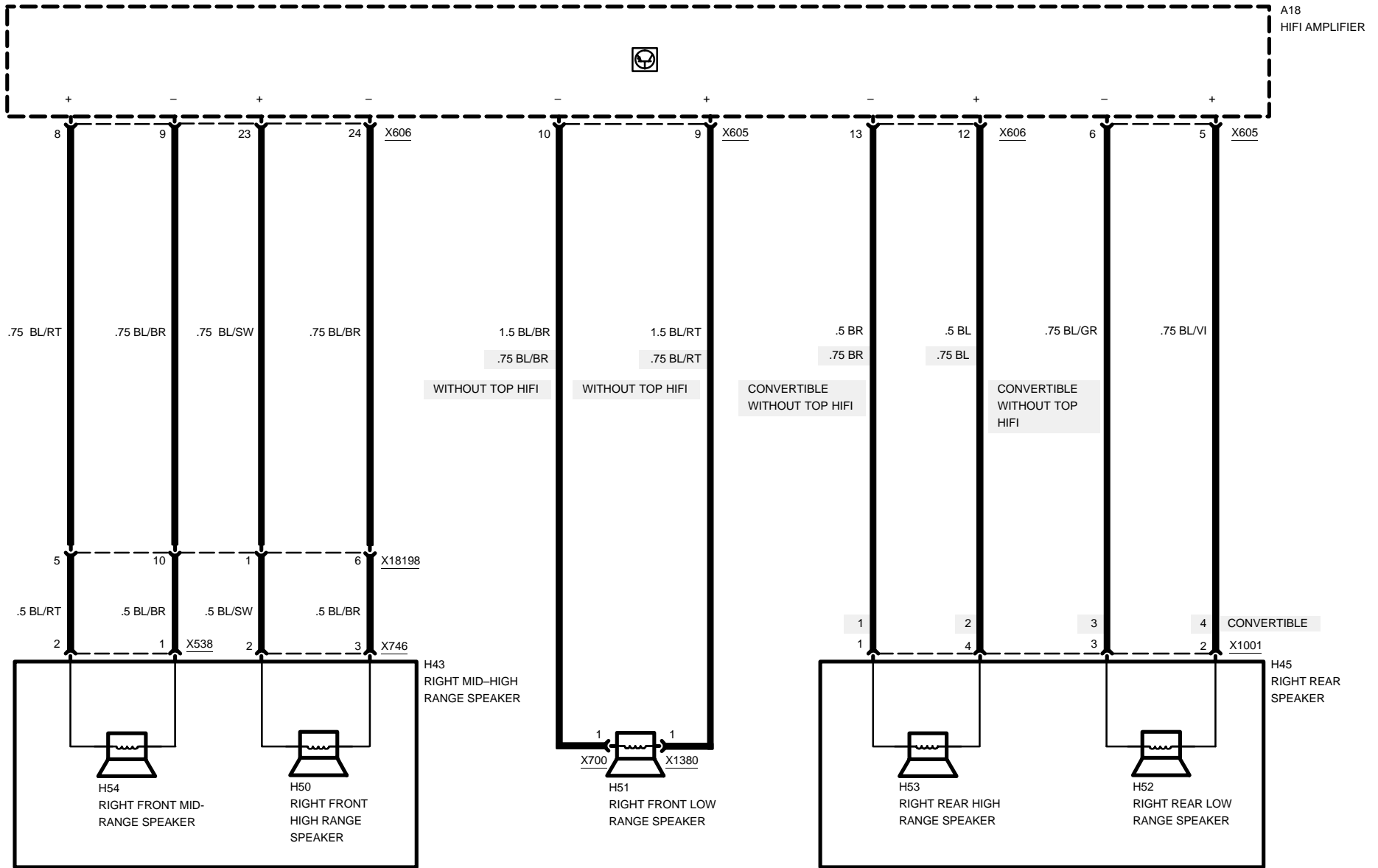


RADIO/HIFI/TOP HIFI



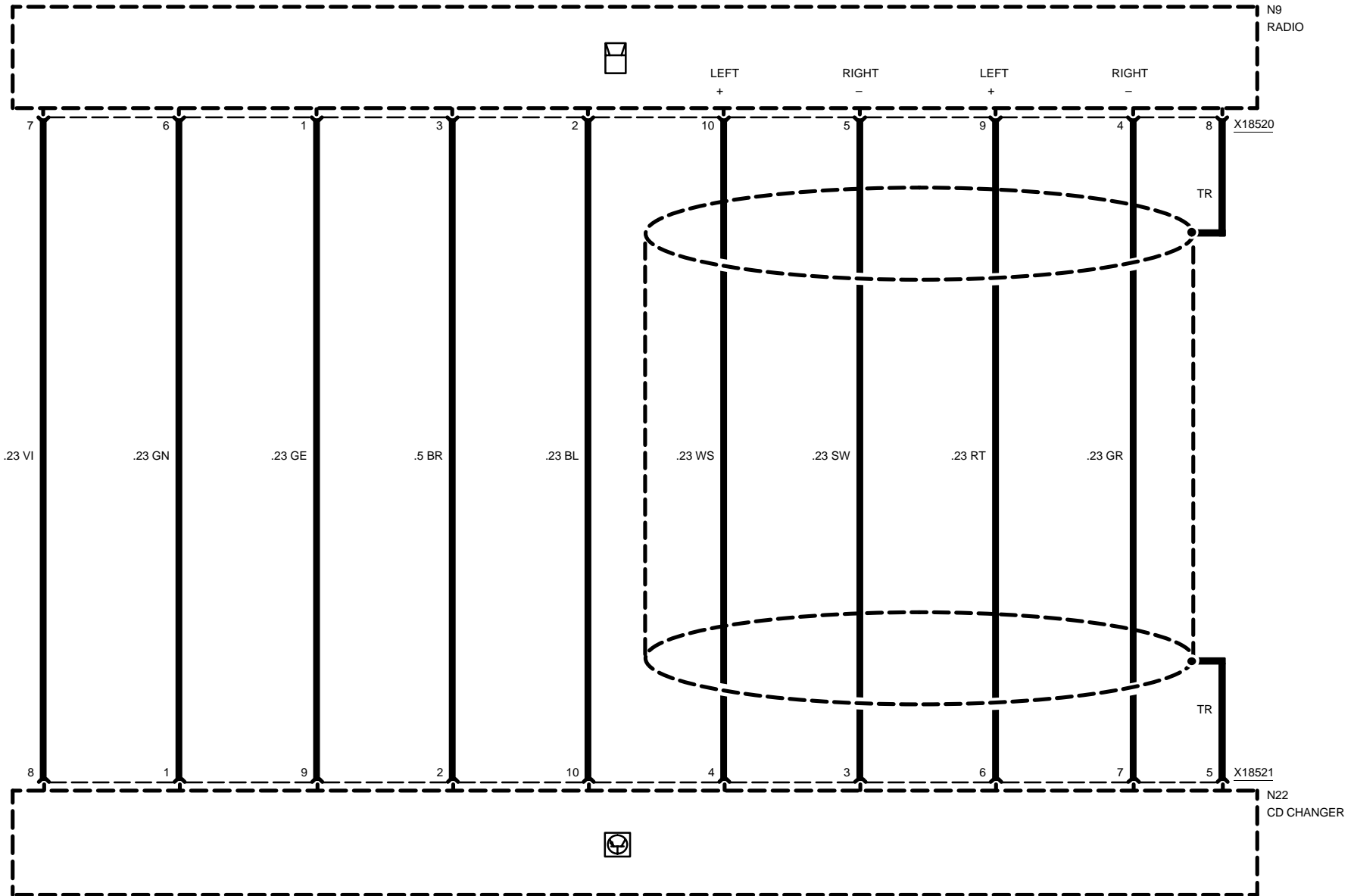


RADIO/HIFI/TOP HIFI





RADIO/HIFI/TOP HIFI

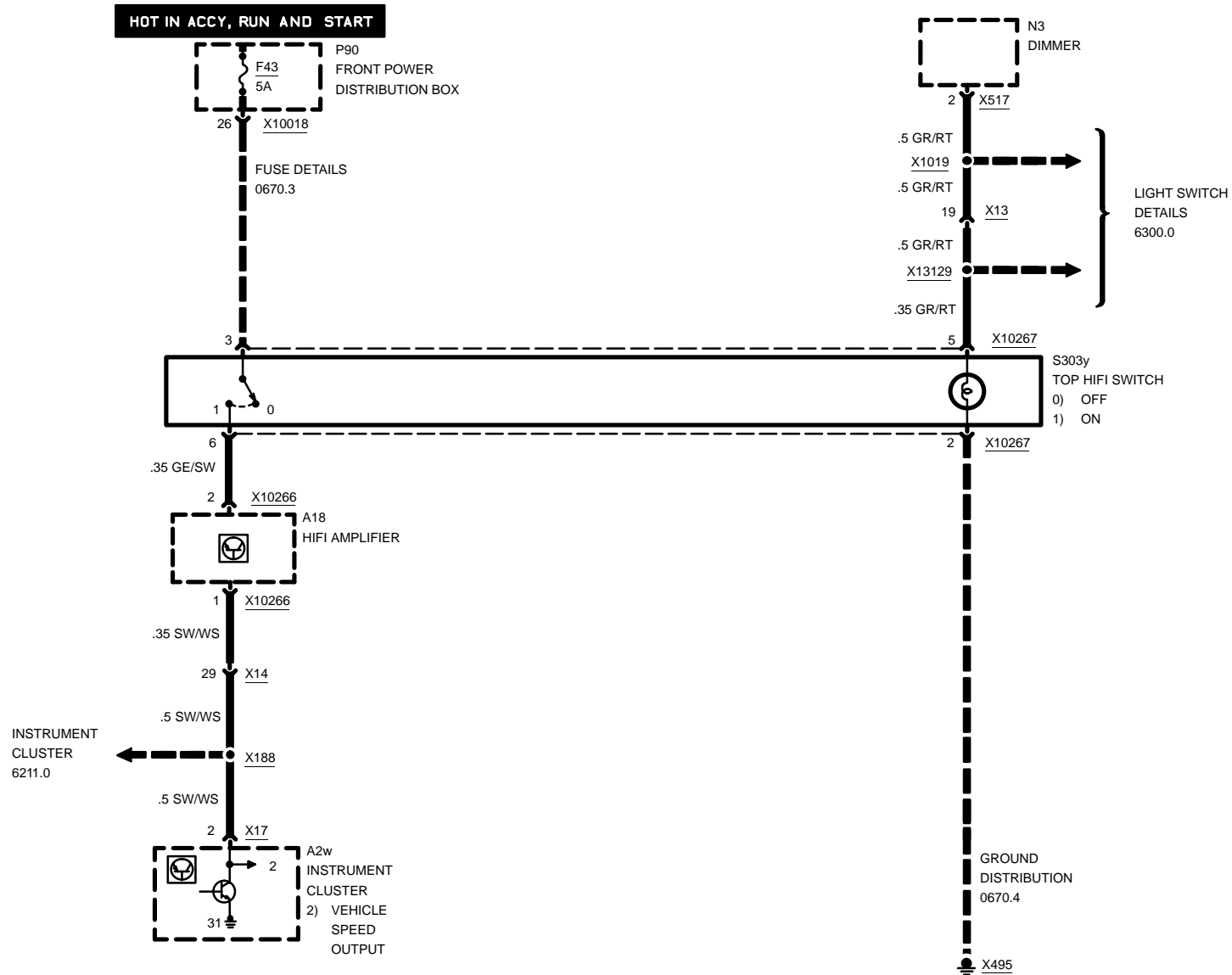




RADIO/HIFI/TOP HIFI

TOP HIFI

COUPE

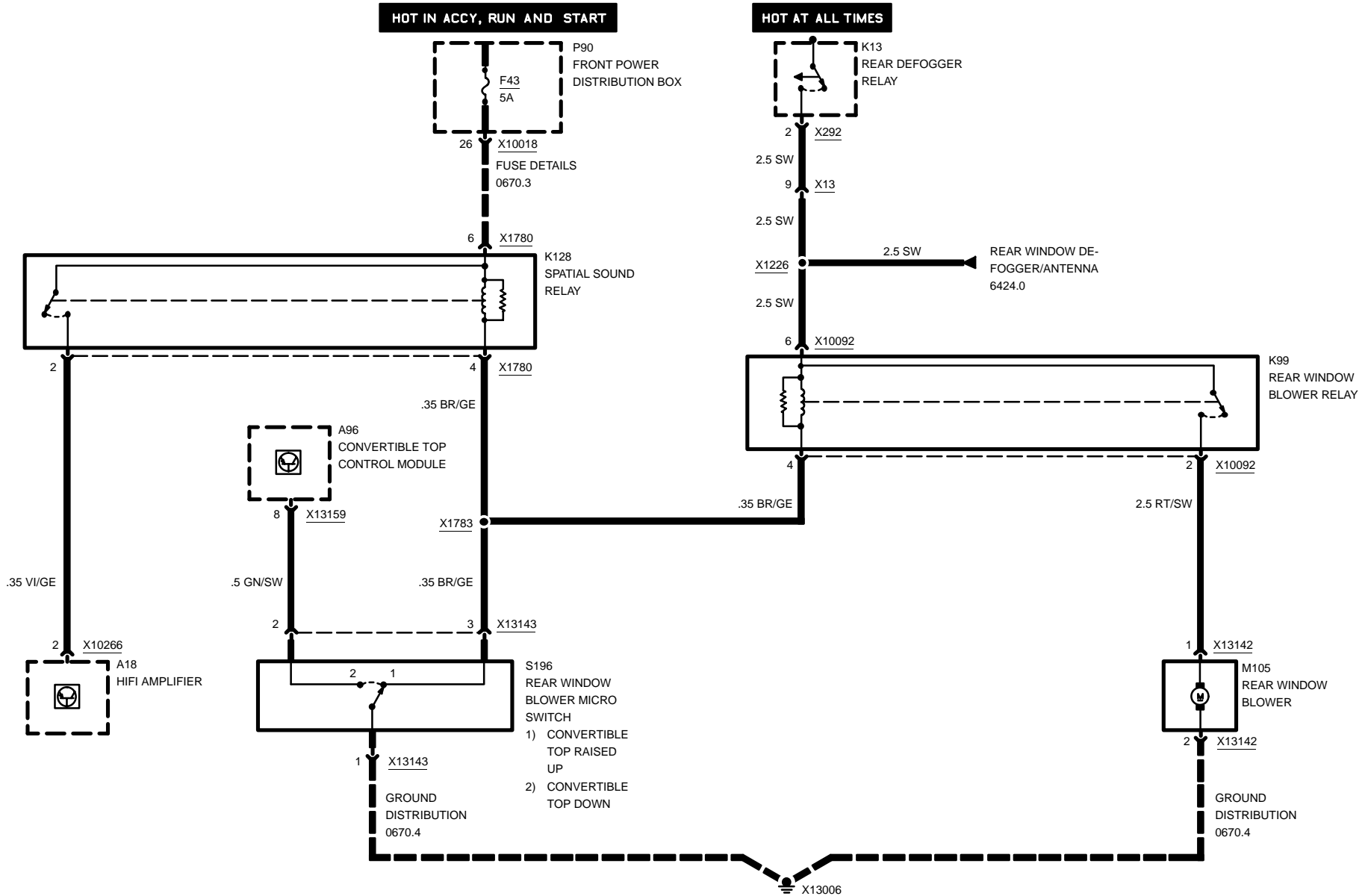




RADIO/HIFI/TOP HIFI

TOP HIFI

CONVERTIBLE



03/00

6510.1-05

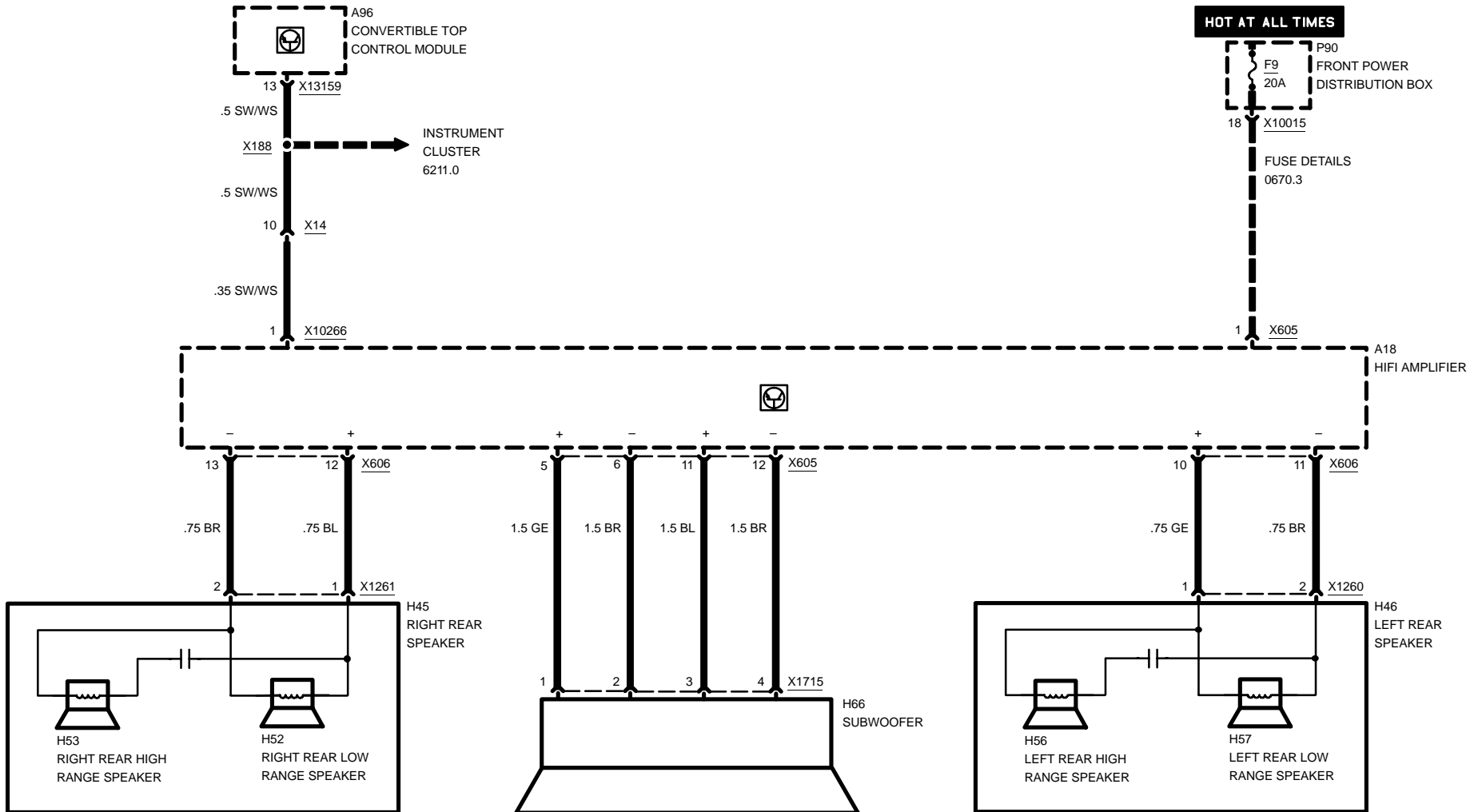
1999



RADIO/HIFI/TOP HIFI

TOP HIFI

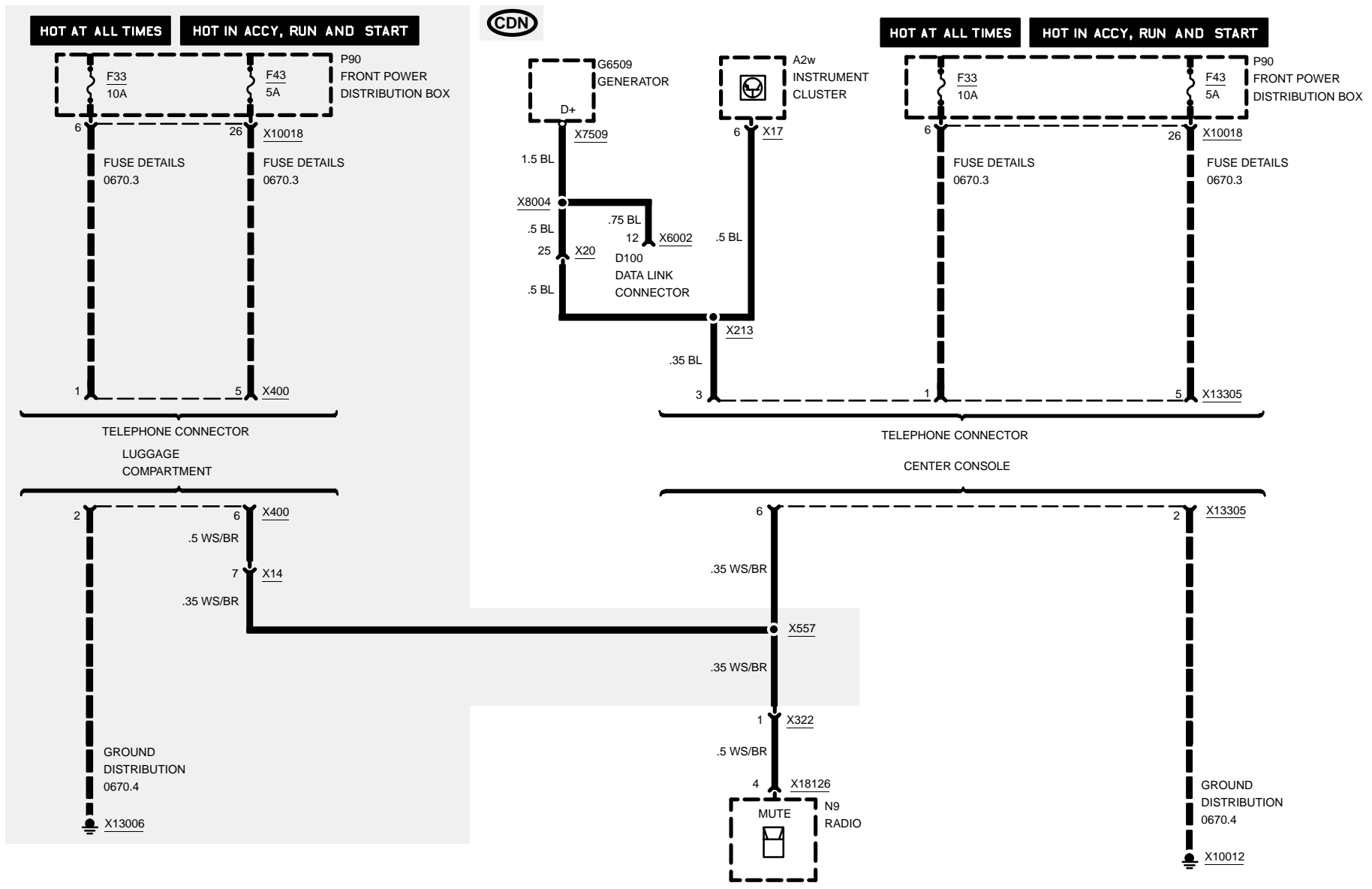
CONVERTIBLE





6561.0 CELLULAR TELEPHONE (PROVISIONS)

PROVISIONS



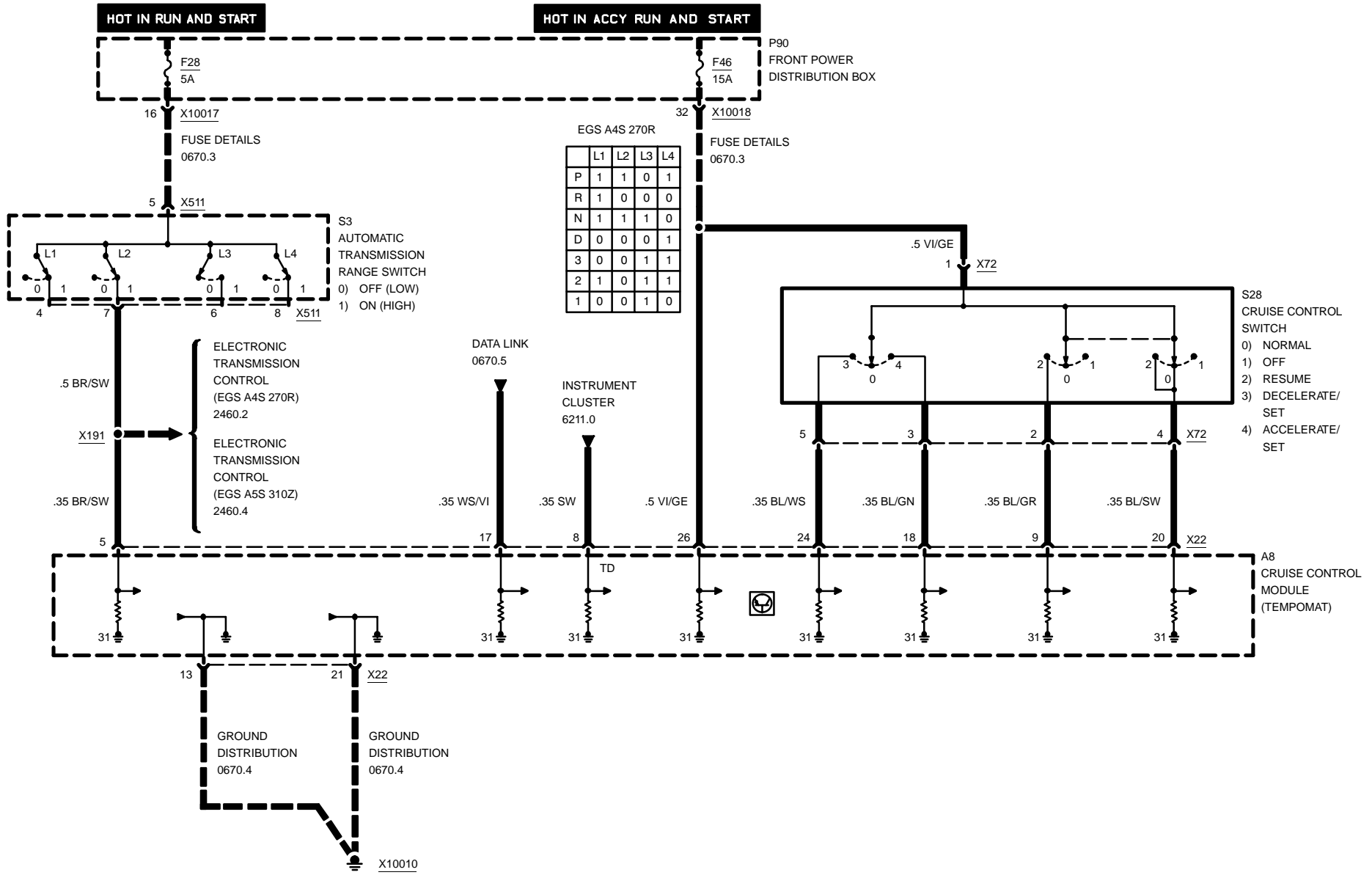
03/00

6561.0-00

1999

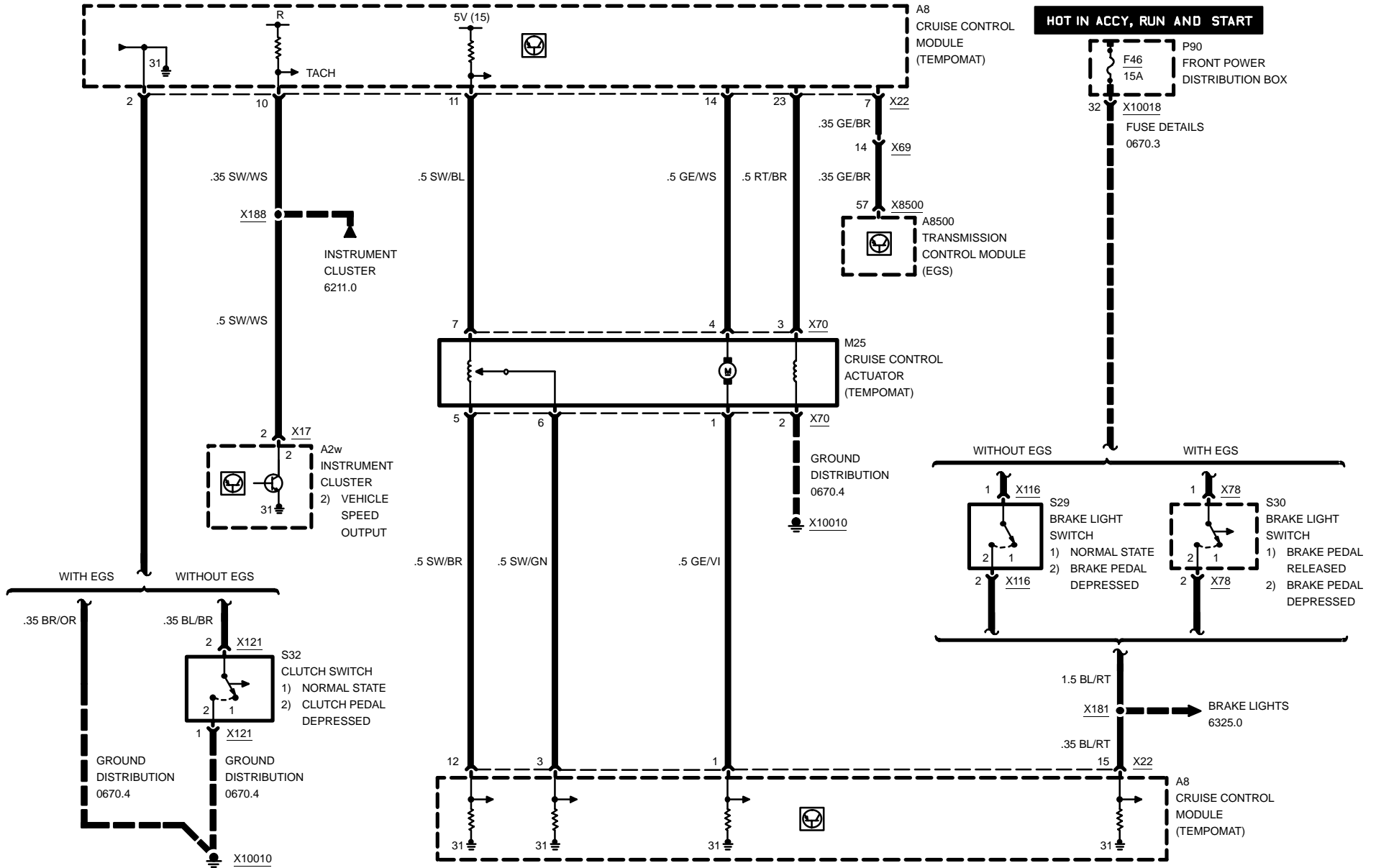


6571.0 CRUISE CONTROL (TEMPOMAT)



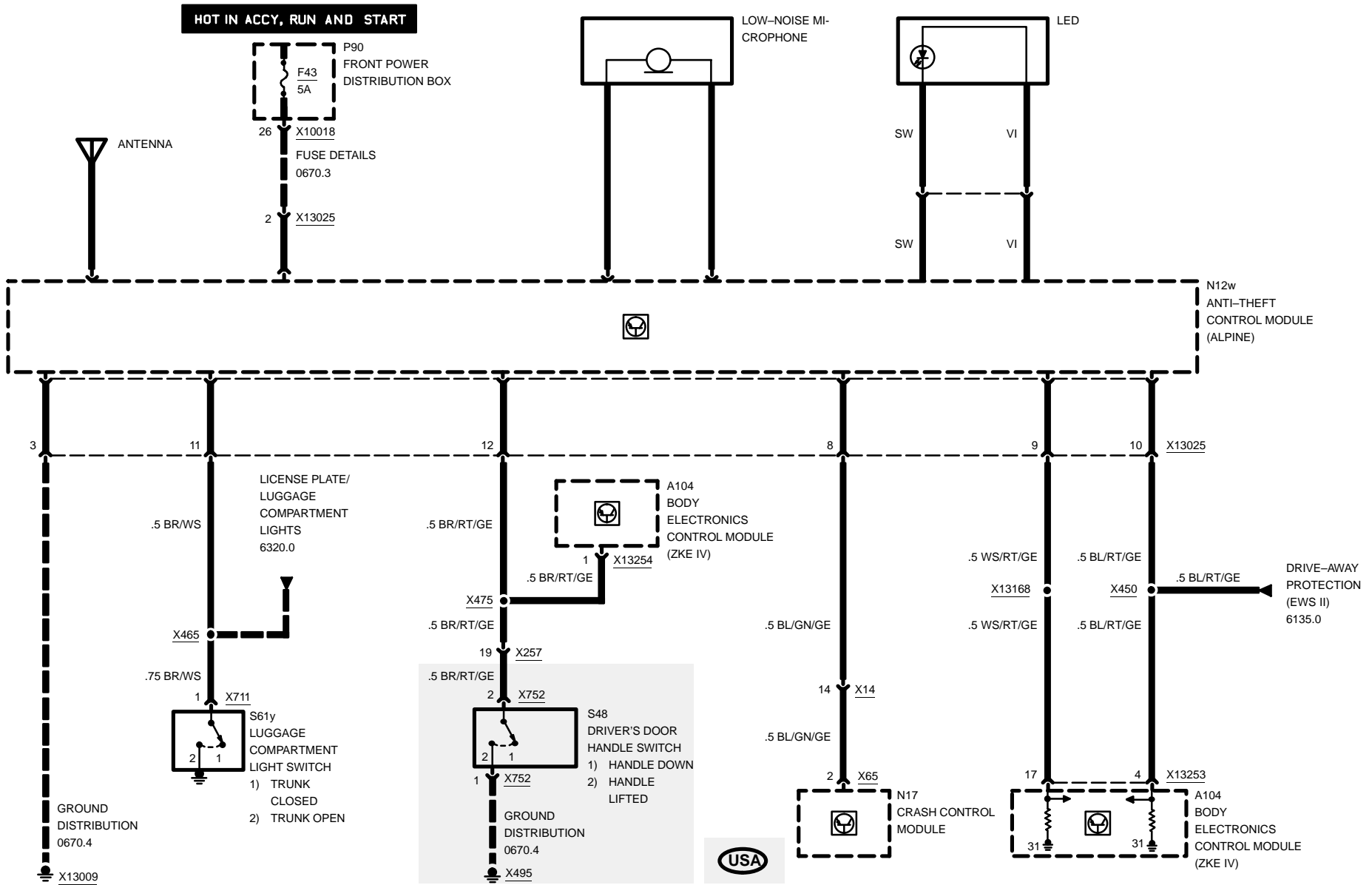


CRUISE CONTROL (TEMPOMAT)





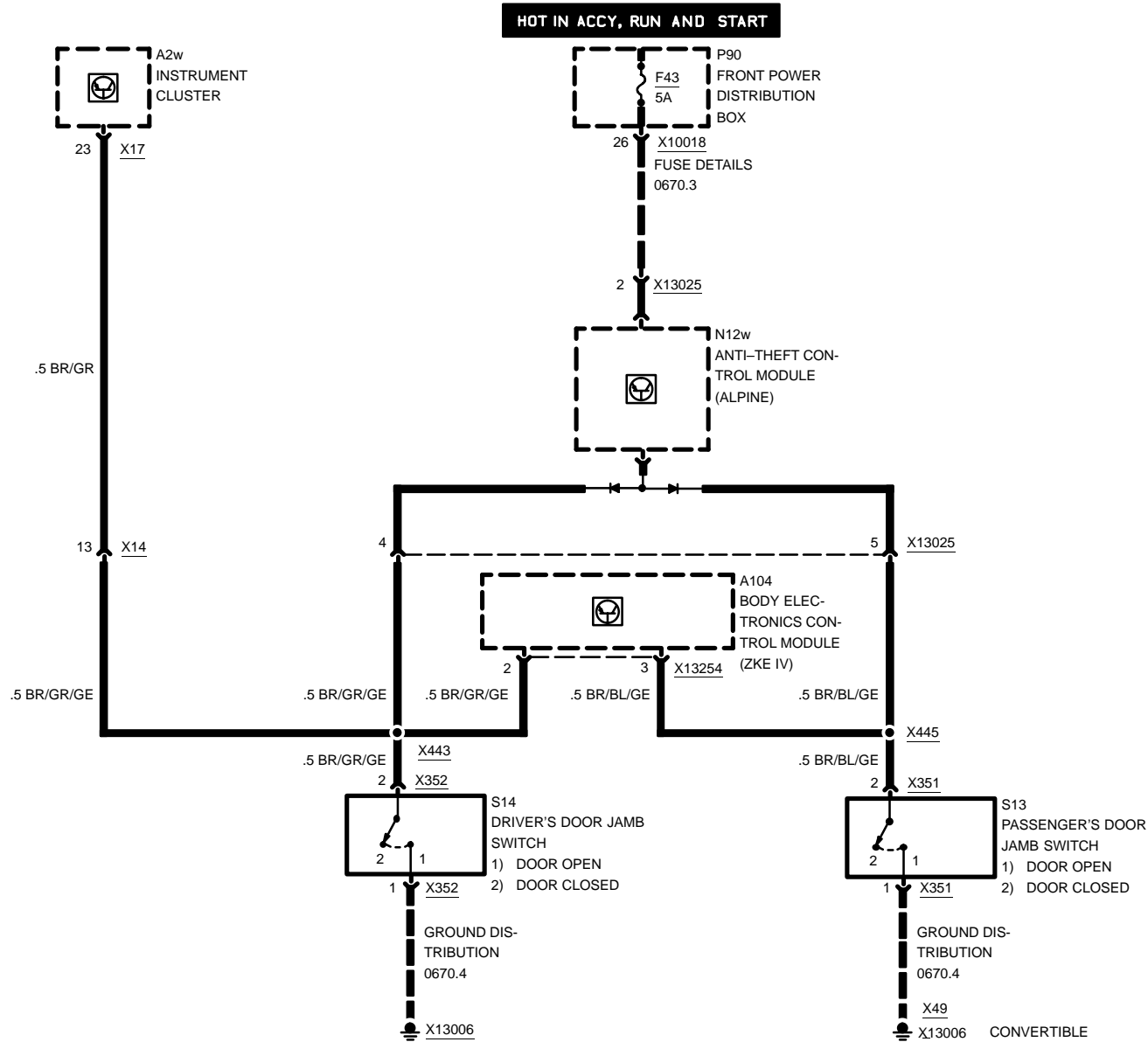
6575.2 ANTI-THEFT SYSTEM (ALPINE)





ANTI-THEFT SYSTEM (ALPINE)

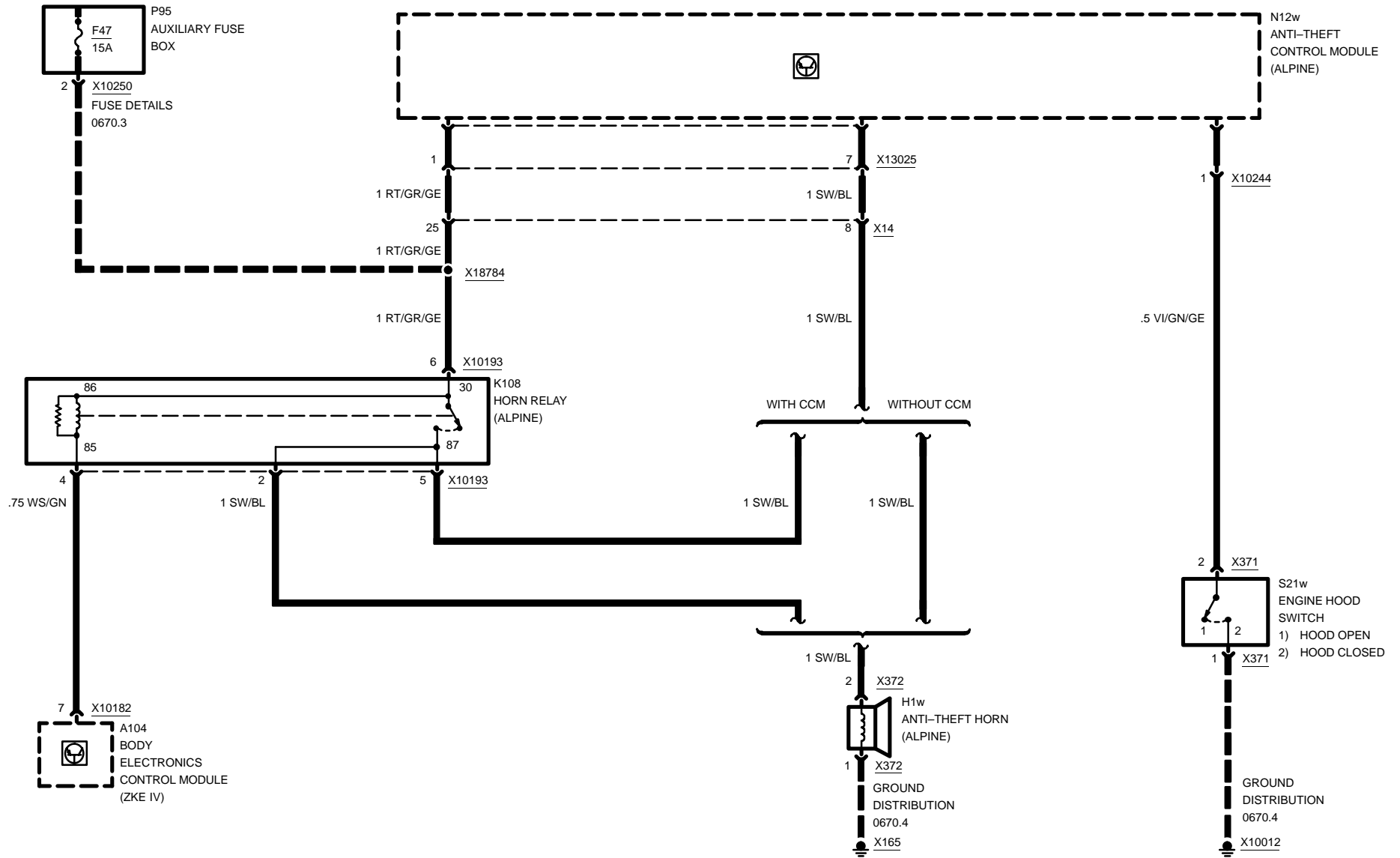
FRONT AND REAR DOOR JAMB SWITCHES





ANTI-THEFT SYSTEM (ALPINE)

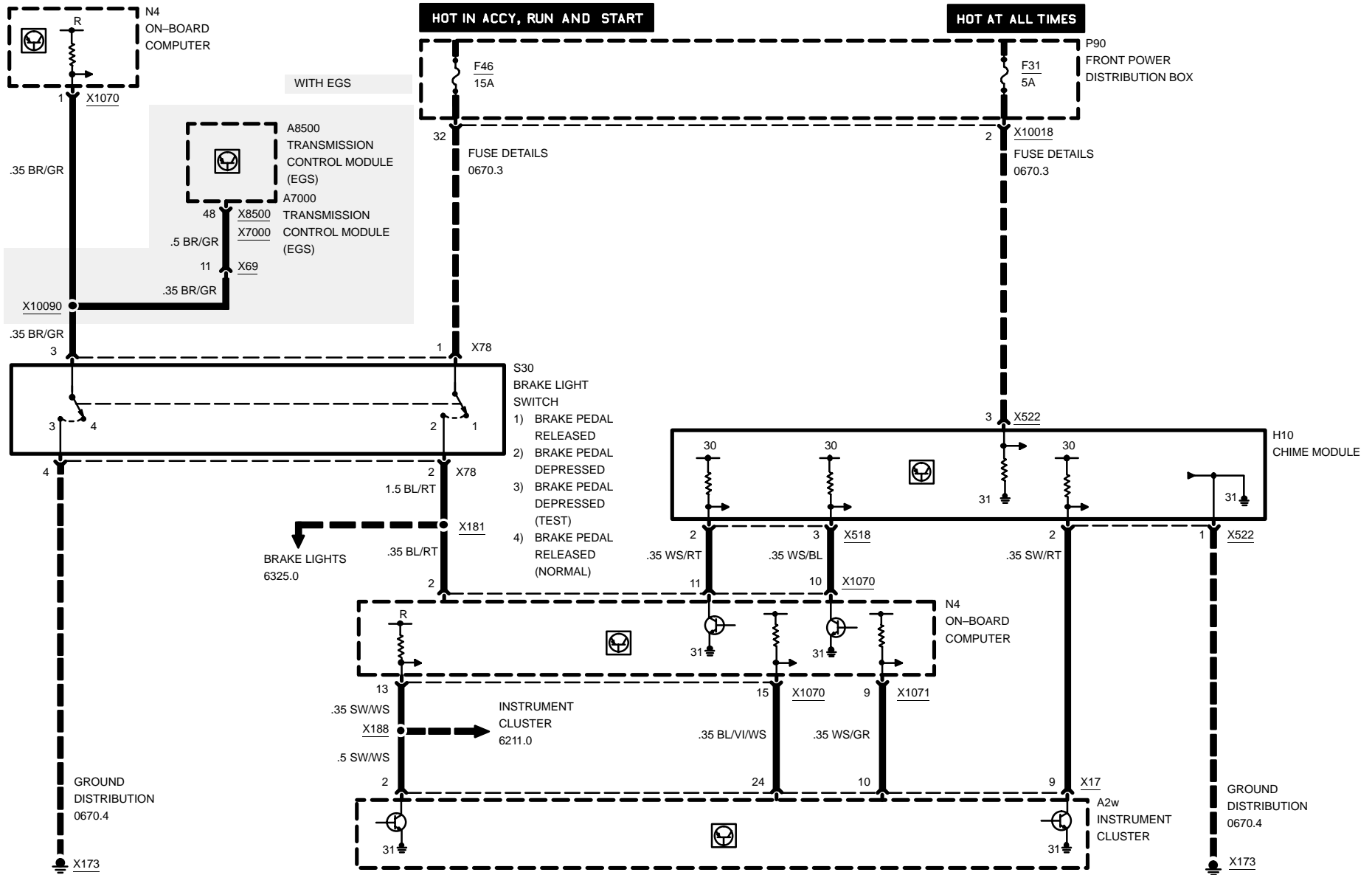
HOT AT ALL TIMES





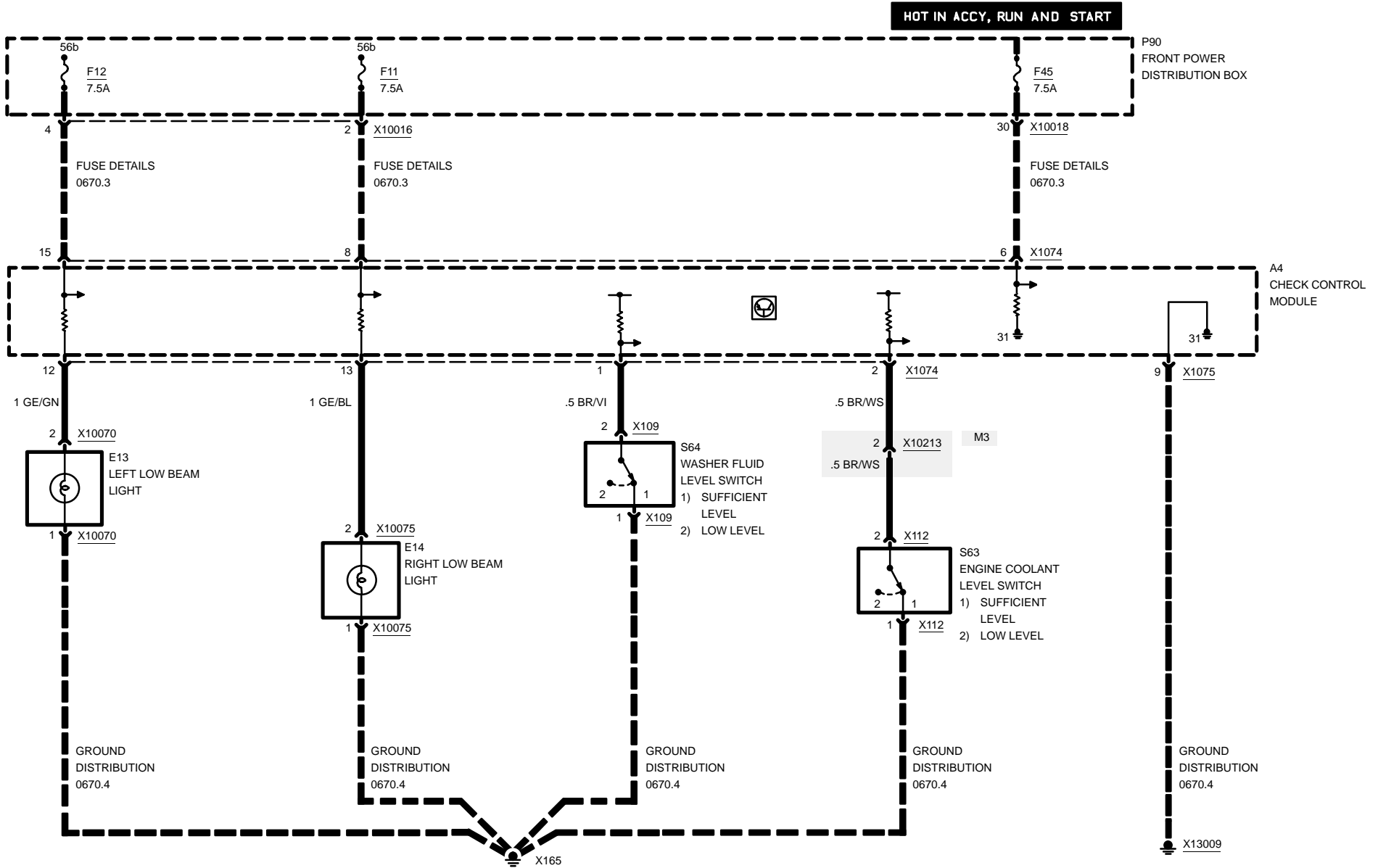
ON-BOARD COMPUTER (BC V)

CHIME, BRAKE LIGHT SWITCH





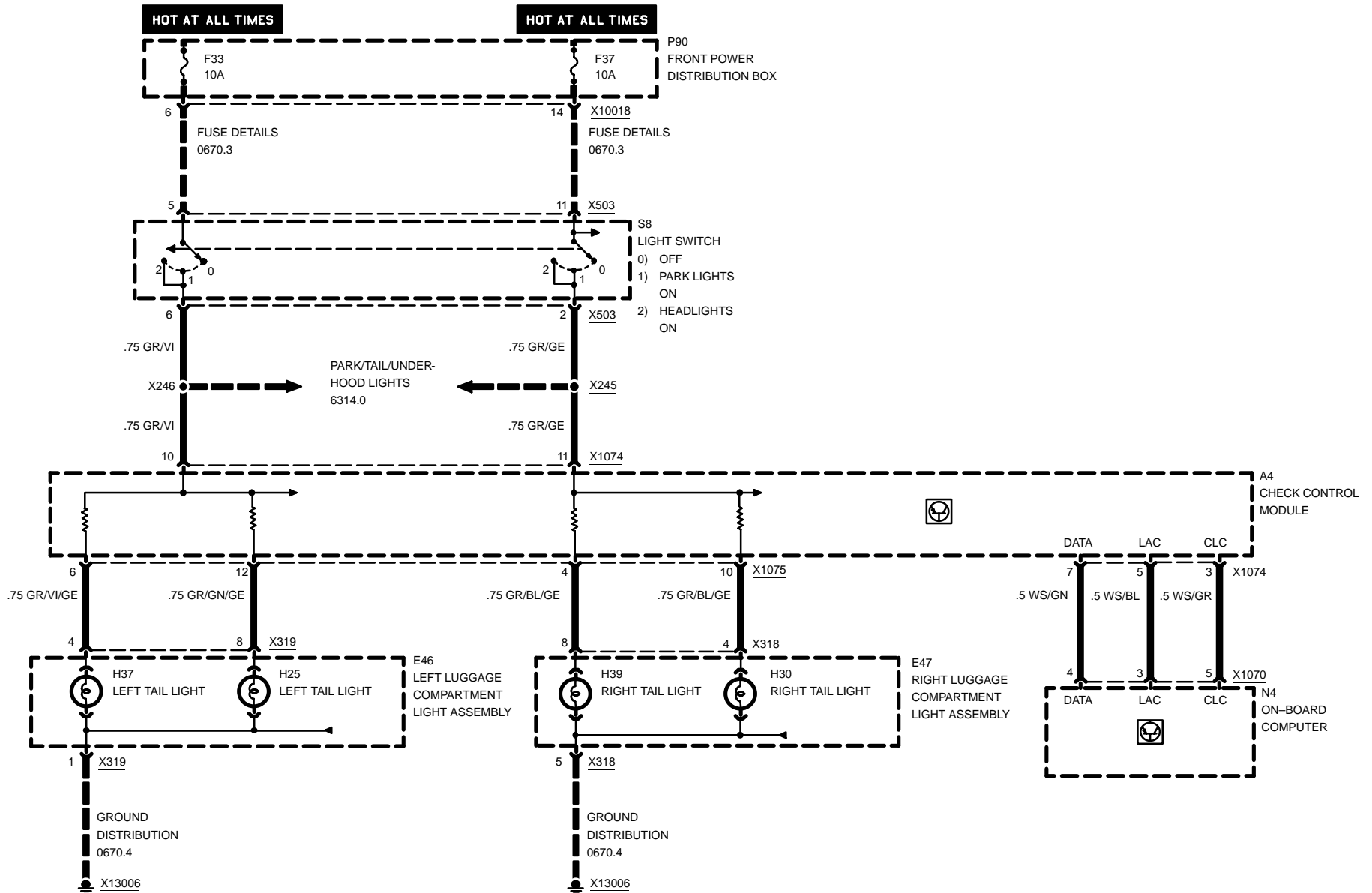
ON-BOARD COMPUTER (BC V) CHECK CONTROL





ON-BOARD COMPUTER (BC V)

CHECK CONTROL





7000.0 COMPONENT LOCATION CHART

COMP.	DESCRIPTION	LOCATION	7100.0	8500.0
A2w ..	INSTRUMENT CLUSTER	LH side of dash	28-3	
A4	CHECK CONTROL MODULE	below LH side of dash	00-3	
A5	RELAY MODULE	behind glove box		
A8	CRUISE CONTROL MODULE (TEMPOMAT)	RH side of dash behind glove box	01-2	
A12 ..	SUPPLEMENTAL RESTRAINT SYSTEM CONTROL MODULE	below rear seat	00-2	
A18 ..	HIFI AMPLIFIER	below RH side of rear seat (Convertible)	02-3	
A18 ..	HIFI AMPLIFIER	in LH side of luggage compartment	04-1	
A32y	THERMOSTAT	center of dashboard		
A35 ..	ON-BOARD DISPLAY	center of dash center console		
A51 ..	WIPER/WASHER MODULE	behind glove box (glove box removed)	01-1	
A52 ..	SLIP CONTROL MODULE (ABS/ASC)	behind glove box (glove box removed)	01-3	
A56 ..	TILT/SLIDE SUNROOF CONTROL ASSEMBLY	under roof center panel	04-2	
A64 ..	WIPER/WASHER MODULE (LOW II)	behind glove box (glove box removed)	01-1	
A96 ..	CONVERTIBLE TOP CONTROL MODULE .	in lower LH C-pillar behind side panel	02-1	
A104 .	BODY ELECTRONICS CONTROL MODULE (ZKE IV)	behind glove box (glove box removed)	01-1	
A113..	SEAT OCCUPANCY DETECTOR	under RH front seat		
A115..	AUTOMATIC CLIMATE CONTROL MODULE	behind center console	03-2	
A835 .	TRANSMITTER MODULE (EWS II)	RH side of steering column	04-3	

03/00

7000.0-0

1999



COMPONENT LOCATION CHART

COMP.	DESCRIPTION	LOCATION	7100.0	8500.0
A836	ELECTRONIC IMMOBILIZER CONTROL MODULE (EWS II)	RH side of dash behind glove box	38-3	
A6000	ENGINE CONTROL MODULE (DME)	rear RH side of engine compartment	00-1	
A7000	TRANSMISSION CONTROL MODULE (EGS)	rear RH side of engine compartment	00-1	
A8500	TRANSMISSION CONTROL MODULE (EGS)	rear RH side of engine compartment	00-1	
B1	RIGHT FRONT SPEED SENSOR – ABS	on RH front wheel, above brake caliper	08-3	
B2	LEFT FRONT SPEED SENSOR – ABS	on LH front wheel, above brake caliper	08-3	
B3	RIGHT REAR SPEED SENSOR – ABS	on RH rear wheel, above brake caliper		
B4	LEFT REAR SPEED SENSOR – ABS	on LH rear wheel, above brake caliper		
B6	FUEL LEVEL SENSOR	below LH side of rear seat	21-2	
B8y	PRESSURE SWITCH	near RH headlight assembly		
B9	INTERMEDIATE PRESSURE SWITCH	near RH headlight assembly		
B10	VEHICLE SPEED SENSOR	under rear of car on differential	08-1	
B11	LH HEAT EXCHANGER TEMPERATURE SENSOR	center console		
B12	RH HEAT EXCHANGER TEMPERATURE SENSOR	center console		
B13	OUTSIDE TEMPERATURE SENSOR	rear of engine compartment behind RH fresh air cowl	15-2	
B14	EVAPORATOR TEMPERATURE SENSOR	RH side of LH footwell LH side of IHKA Plenum	28-1	
B16	LEFT FRONT BRAKE PAD SENSOR	on LH front wheel, above brake caliper	08-3	
B17	RIGHT REAR BRAKE PAD SENSOR	behind RH rear wheel		
B18	BRAKE FLUID LEVEL SWITCH	rear LH side of engine compartment top of brake fluid reservoir	18-3	

03/00

7000.0-1

1999



COMPONENT LOCATION CHART

COMP.	DESCRIPTION	LOCATION	7100.0	8500.0
B21	ON-BOARD COMPUTER TEMPERATURE SENSOR	front RH side of engine compartment	20-1	
B25y	FUEL TANK SENSOR II	top of fuel tank		
B72	FUEL TANK PRESSURE SENSOR	RH rear wheel well behind trim panel	14-1	
B78	DRIVER'S SIDE IMPACT SENSOR	in lower LH B-pillar	39-2	
B79	PASSENGER'S SIDE IMPACT SENSOR	in lower RH B-pillar		
B6203	CRANKSHAFT POSITION/RPM SENSOR	front of engine below	10-3	
B6204	CAMSHAFT POSITION SENSOR (CYLINDER IDENTIFICATION)	front of engine below intake manifold	12-2	
B6204	CAMSHAFT POSITION SENSOR (CYLINDER IDENTIFICATION)	front of engine below intake manifold	11-1	
B6205	INTAKE AIR TEMPERATURE SENSOR	front LH side of engine compartment (318i)	18-2	
B6205	INTAKE AIR TEMPERATURE SENSOR	LH side of engine near oil level stick	36-3	
B6207	HOT FILM AIR MASS METER	LH side of engine	12-1	
B6209	HALL EFFECT CAMSHAFT SENSOR	front of engine (318i)		
B6217	HOT FILM AIR MASS METER	top front of engine	18-2	
B6231	OIL PRESSURE SWITCH	front of engine below intake manifold	11-1	
B6231	OIL PRESSURE SWITCH	front of engine below intake manifold (318i)	17-1	
B6232	ENGINE COOLANT TEMPERATURE SENSOR	front of engine below intake manifold	11-3	
B6232	ENGINE COOLANT TEMPERATURE SENSOR	front of engine below intake manifold (318i)	17-2	
B6236	ENGINE COOLANT TEMPERATURE SENSOR	front of engine	11-3	



COMPONENT LOCATION CHART

COMP.	DESCRIPTION	LOCATION	7100.0	8500.0
B6238	OIL TEMPERATURE SENSOR	LH side of engine		
B6240	KNOCK SENSOR	top front of engine	11-2	
B6256	DUAL TEMPERATURE SENSOR (COOLANT TEMPERATURE)	RH front of engine below intake manifold	11-1	
B9508	PRESSURE SWITCH	front RH side of engine compartment near RH headlight assembly	09-3	
B62001	OXYGEN SENSOR (IN FRONT OF CATALYTIC CONVERTER)	on catalytic converter	37-1	
B62002	OXYGEN SENSOR (BEHIND CATALYTIC CONVERTER)	on catalytic converter (318i)	37-2	
B62101	OXYGEN SENSOR I (IN FRONT OF CATALYTIC CONVERTER)	on catalytic converter	38-2	
B62102	OXYGEN SENSOR I (BEHIND CATALYTIC CONVERTER)	on catalytic converter		
B62201	OXYGEN SENSOR II (IN FRONT OF CATALYTIC CONVERTER)	on catalytic converter	38-2	
B62202	OXYGEN SENSOR II (BEHIND CATALYTIC CONVERTER)	on catalytic converter		
C101	CONTACT RING	top of steering column	24-2	
C900	SUPPRESSION FILTER	in upper RH C-pillar	33-2	
D100	DATA LINK CONNECTOR	rear RH side of engine compartment	05-1	
D110	OBD II CONNECTOR	below LH side of dash		
E7	LEFT HEADLIGHT	front LH side of engine compartment		
E8	RIGHT HEADLIGHT	front RH side of engine compartment		
E9	REAR DEFOGGER I	in rear window		

03/00

7000.0-3

1999



COMPONENT LOCATION CHART

COMP.	DESCRIPTION	LOCATION	7100.0	8500.0
E10	.. REAR DEFOGGER/ANTENNA	in rear window		
E11	... LEFT HIGH BEAM LIGHT	near LH headlight assembly		
E12	.. RIGHT HIGH BEAM LIGHT	near RH headlight assembly		
E13	.. LEFT LOW BEAM LIGHT	near LH headlight assembly		
E14	.. RIGHT LOW BEAM LIGHT	near RH headlight assembly		
E15	.. LEFT PARK LIGHT	front of vehicle		
E19	.. RIGHT PARK LIGHT	front of vehicle		
E25	.. FRONT ASHTRAY LIGHT	center console	31-2	
E26	.. LEFT FOG LIGHT	under LH front bumper	08-2	
E27	.. RIGHT FOG LIGHT	under RH front bumper	08-2	
E28	.. FRONT CIGAR LIGHTER	near gearshift lever		
E28y	.. REAR ASHTRAY LIGHT	below center console	31-2	
E29	.. FRONT CIGAR LIGHTER LIGHT	center console		
E32	.. LUGGAGE COMPARTMENT LIGHT	in luggage compartment		
E34	.. FRONT DOME LIGHT/MAP READING ASSEMBLY	under roof center panel	04-2	
E35	.. DRIVER'S MAKE-UP MIRROR LIGHT	above LH sun visor	38-1	
E36	.. PASSENGER'S MAKE-UP MIRROR LIGHT	above RH sun visor	23-1	
E39	.. LEFT REAR INTERIOR LIGHT	in upper LH C-pillar	33-1	
E40	.. RIGHT REAR INTERIOR LIGHT	in upper RH C-pillar	33-2	
E42	.. GLOVE BOX LIGHT	LH side of glove box	25-1	
E43	.. LEFT LICENSE PLATE LIGHT	underside of luggage compartment lid, near license plate	09-1	

03/00

7000.0-4

1999



COMPONENT LOCATION CHART

COMP.	DESCRIPTION	LOCATION	7100.0	8500.0
E44 ..	RIGHT LICENSE PLATE LIGHT	underside of luggage compartment lid, near license plate	09-1	
E45y ..	CASSETTE BOX LIGHT	center of dash		
E46 ..	LEFT LUGGAGE COMPARTMENT LIGHT ASSEMBLY	in LH rear side of luggage compartment		
E47 ..	RIGHT LUGGAGE COMPARTMENT LIGHT ASSEMBLY	in RH rear side of luggage compartment	03-3	
E48 ..	DOOR LOCK HEATER	LH front door		
E51 ..	LEFT WASHER JET HEATER	on underside of engine hood		
E52 ..	RIGHT WASHER JET HEATER	on underside of engine hood		
E56 ..	DRIVER'S SEATBACK HEATER	in upper LH front seatback	23-3	
E57 ..	DRIVER'S SEAT HEATER	under LH front seat	23-3	
E58 ..	PASSENGER'S SEAT HEATER	underside of RH front seat		
E59 ..	PASSENGER'S SEATBACK HEATER	in upper RH front seatback		
E61 ..	LEFT FRONT FOOTWELL LIGHT	LH footwell		
E62 ..	RIGHT FRONT FOOTWELL LIGHT	right footwell		
E82 ..	TRANSMISSION POSITION INDICATOR LIGHT	center console		
E96 ..	GEAR SHIFT LEVER INDICATOR	center console		
E99 ..	HARD TOP CONNECTOR 1	in convertible top compartment		
E100y	HARD TOP CONNECTOR 2	in convertible top compartment		
E101 .	LEFT LUGGAGE COMPARTMENT LIGHT .	in LH rear side of luggage compartment (Convertible)		
E102 .	RIGHT LUGGAGE COMPARTMENT LIGHT	in RH rear side of luggage compartment (Convertible)		
F97 ...	FUSIBLE LINK	in RH side of luggage compartment		



COMPONENT LOCATION CHART

COMP.	DESCRIPTION	LOCATION	7100.0	8500.0
G1 ...	BATTERY	rear RH side of engine compartment (318i)		
G1 ...	BATTERY	in RH rear side of luggage compartment		
G5 ...	DRIVER'S AIR BAG GAS GENERATOR ...	behind steering wheel	24-2	
G6 ...	PASSENGER'S AIR BAG GAS GENERATOR	RH side of dash	27-2	
G12 ..	DRIVER'S SIDE PYROTECHNICAL BELT TENSIONER	driver's seat right		
G13 ..	PASSENGER'S SIDE PYROTECHNICAL BELT TENSIONER	passenger's seat left		
G14 ..	LEFT SIDE AIR BAG GAS GENERATOR ..	in driver's door	39-3	
G15 ..	RIGHT SIDE AIR BAG GAS GENERATOR ..	in passenger's door		
G6430	B+ JUMP START JUNCTION POINT	rear RH side of engine compartment back of RH side shock tower	05-1	
G6509	GENERATOR	front LH side of engine compartment	05-2	
H2 ...	LEFT HORN	front of engine compartment		
H3 ...	RIGHT HORN	front of engine compartment		
H4 ...	RIGHT FRONT TURN LIGHT	front of vehicle		
H5 ...	RIGHT REAR TURN LIGHT	RH side of body rear end		
H6 ...	LEFT REAR TURN LIGHT	LH side of body rear end		
H7 ...	LEFT FRONT TURN LIGHT	front of vehicle		
H8 ...	RIGHT FRONT AUXILIARY TURN LIGHT ..	front of vehicle		
H9 ...	LEFT FRONT AUXILIARY TURN LIGHT ...	front of vehicle		
H10 ..	CHIME MODULE	below LH side of dash		
H1w ..	ANTI-THEFT HORN (ALPINE)	front RH side of engine compartment		

03/00

7000.0-6

1999



COMPONENT LOCATION CHART

COMP.	DESCRIPTION	LOCATION	7100.0	8500.0
H24	.. LEFT BRAKE LIGHT	LH side of body rear end		
H25	.. LEFT TAIL LIGHT	LH side of body rear end		
H26	.. LEFT REAR FOG LIGHT	LEFT LUGGAGE COMPARTMENT LIGHT ASSEMBLY		
H27	.. LEFT BACK UP LIGHT	LEFT LUGGAGE COMPARTMENT LIGHT ASSEMBLY		
H28	.. RIGHT BACK UP LIGHT	LEFT LUGGAGE COMPARTMENT LIGHT ASSEMBLY		
H30	.. RIGHT TAIL LIGHT	RIGHT LUGGAGE COMPARTMENT LIGHT ASSEMBLY		
H31	.. RIGHT BRAKE LIGHT	RIGHT LUGGAGE COMPARTMENT LIGHT ASSEMBLY		
H34	.. HIGH LEVEL STOP LIGHT	at back of rear window shelf		
H34z	.. HIGH LEVEL STOP LIGHT/REAR SPOILER	in rear spoiler		
H37	.. LEFT TAIL LIGHT	RIGHT LUGGAGE COMPARTMENT LIGHT ASSEMBLY		
H39	.. RIGHT TAIL LIGHT	right rear light assembly		
H42	.. LEFT MID-HIGH RANGE SPEAKER	in upper LH front door		
H43	.. RIGHT MID-HIGH RANGE SPEAKER	in upper RH front door		
H45	.. RIGHT REAR SPEAKER	under rear window shelf		
H46	.. LEFT REAR SPEAKER	under rear window shelf		
H50	.. RIGHT FRONT HIGH RANGE SPEAKER ..	in upper RH front door		
H51	.. RIGHT FRONT LOW RANGE SPEAKER ..	in lower RH A-pillar		
H52	.. RIGHT REAR LOW RANGE SPEAKER	under rear window shelf		
H53	.. RIGHT REAR HIGH RANGE SPEAKER ...	under rear window shelf		
H54	.. RIGHT FRONT MIDRANGE SPEAKER	in upper RH front door		
H55	.. LEFT FRONT MIDRANGE SPEAKER	in upper LH front door		
H56	.. LEFT REAR HIGH RANGE SPEAKER	under rear window shelf		



COMPONENT LOCATION CHART

COMP.	DESCRIPTION	LOCATION	7100.0	8500.0
H57	LEFT REAR LOW RANGE SPEAKER	under rear window shelf		
H58	LEFT FRONT LOW RANGE SPEAKER	in lower LH A-pillar		
H59	LEFT FRONT HIGH RANGE SPEAKER	in upper LH front door		
H66	SUBWOOFER	behind trim panel		
I1008	SEAT MAT	in passenger's seat area		
K2	HORN RELAY	rear LH side of engine compartment in Power Distribution Box	19-2	
K4	BLOWER RELAY	rear LH side of engine compartment in Power Distribution Box	19-2	
K9	UNLOADER RELAY, TERMINAL 15	behind LH footwell trim	25-3	
K10	ABS RELAY	rear LH side of engine compartment in Power Distribution Box	19-1	
K13	REAR DEFOGGER RELAY	rear LH side of engine compartment in Power Distribution Box	19-1	
K16	HAZARD FLASHER RELAY	rear LH side of engine compartment in Power Distribution Box	19-2	
K19	COMPRESSOR CONTROL RELAY	rear LH side of engine compartment in Power Distribution Box	19-1	
K21	NORMAL SPEED RELAY	rear LH side of engine compartment in Power Distribution Box	19-3	
K22	HIGH SPEED RELAY	rear LH side of engine compartment in Power Distribution Box	19-3	
K46	HIGH BEAM LIGHT RELAY	LH side of dash behind instrument cluster	02-2	
K46z	DAY LIGHT RELAY MODULE	below LH side of dash	02-2	
K47	FRONT FOG LIGHT RELAY	rear LH side of engine compartment in Power Distribution Box	19-2	
K48	LOW BEAM LIGHT RELAY	rear LH side of engine compartment in Power Distribution Box	19-2	
K99	REAR WINDOW BLOWER RELAY	behind glove box left	25-2	
K108	HORN RELAY (ALPINE)	behind glove box left	01-2	
K117	LUGGAGE COMPARTMENT LID RELAY	behind glove box right		
K125	ABS PUMP MOTOR RELAY, TIMED	rear LH side of engine compartment in Power Distribution Box (318i)	19-3	

03/00

7000-0-8

1999



COMPONENT LOCATION CHART

COMP.	DESCRIPTION	LOCATION	7100.0	8500.0
K128	SPATIAL SOUND RELAY	footwell, driver's side behind trim panel		
K450	PARK VENTILATION RELAY	below LH side of dash	02-2	
K6300	ENGINE CONTROL MODULE RELAY	rear LH side of engine compartment in Power Distribution Box	19-3	
K6301	CYL. 1-6 FUEL PUMP RELAY	rear LH side of engine compartment in Power Distribution Box	19-3	
K6301w	FUEL PUMP RELAY	rear LH side of engine compartment in Front Power Distribution Box	19-1	
K6304	SECONDARY AIR PUMP RELAY	rear LH side of engine compartment in Power Distribution Box	19-3	
K6326	UNLOADER RELAY, TERMINAL 15	rear RH side of engine compartment	39-1	
M2	FUEL PUMP	below RH side of rear seat	20-2	
M3	WIPER MOTOR	rear of engine compartment below center of cowl	16-1	
M4	WASHER PUMP	front RH side of engine compartment on washer fluid reservoir	10-1	
M7	HEADLIGHT/FOG LIGHT WASHER PUMP	front RH side of engine compartment on washer fluid reservoir	10-2	
M9	AUXILIARY FAN MOTOR	behind front grille behind trim panel	18-1	
M12	DRIVER'S DOOR LOCK MOTOR	in upper LH front door behind trim panel		
M13	PASSENGER'S DOOR LOCK MOTOR	in upper RH front door behind trim panel		
M16	GAS FILLER LOCK MOTOR	in RH rear side of luggage compartment	03-3	
M17	LUGGAGE COMPARTMENT LOCK MOTOR	rear side of luggage compartment in lift gate	34-2	
M21	DRIVER'S WINDOW MOTOR	LH front door behind door panel	31-3	
M23	PASSENGER'S WINDOW MOTOR	RH front door behind door panel	32-1	
M25	CRUISE CONTROL ACTUATOR (TEMPOMAT)	front LH side of engine compartment	18-2	
M30	BLOWER MOTOR	rear of engine compartment behind RH fresh air cowl	15-2	



COMPONENT LOCATION CHART

COMP.	DESCRIPTION	LOCATION	7100.0	8500.0
M35	DEFROSTER FLAP MOTOR	RH side of IHKA Plenum	29-2	
M36	FRESH AIR FLAP MOTOR	below LH side of dash RH side of IHKA Plenum	29-3	
M40	RECIRCULATION FLAP MOTOR	below LH side of dash RH side of IHKA Plenum	29-2	
M43	CONVERTIBLE TOP STORAGE LID LOCK MOTOR	in convertible top compartment left	22-1	
M44	REGULATION FLAP MOTOR	RH side of IHKA Plenum		
M46	REAR RECIRCULATION FLAP MOTOR	RH side of IHKA Plenum		
M50	DRIVER'S SEAT CUSHION TILT MOTOR	under LH front seat	23-3	
M51	DRIVER'S SEAT MOVEMENT MOTOR	under LH front seat	23-3	
M52	DRIVER'S SEAT HEIGHT MOTOR	under LH front seat	23-3	
M53	DRIVER'S SEATBACK RECLINER MOTOR	under LH front seat	23-3	
M55z	DRIVER'S SEAT LUMBAR SUPPORT MOTOR/VALVE	under LH front seat		
M58	PASSENGER'S SEATBACK RECLINER MOTOR	under RH front seat		
M59	PASSENGER'S SEAT HEIGHT MOTOR	under RH front seat		
M60	PASSENGER'S SEAT MOVEMENT MOTOR	under RH front seat		
M61	PASSENGER'S SEAT CUSHION TILT MOTOR	under RH front seat		
M93	AUXILIARY THROTTLE POSITION MOTOR (ADS)	front of engine compartment		
M98	LEFT REAR WINDOW MOTOR	left from LH rear seat behind trim panel	22-2	
M99	RIGHT REAR WINDOW MOTOR	RH side of RH rear seat behind trim panel	22-2	

03/00

7000.0-10

1999



COMPONENT LOCATION CHART

COMP.	DESCRIPTION	LOCATION	7100.0	8500.0
M100	CONVERTIBLE TOP STORAGE LID MOTOR	in LH side of luggage compartment	34-1	
M101	CONVERTIBLE TOP MOTOR	in LH side of luggage compartment	34-3	
M105	REAR WINDOW BLOWER	behind rear seats	21-3	
M107	GLOVE BOX LOCK MOTOR	RH side of dash behind glove box		
M132	WINDSCREEN COWL PANEL LOCK MOTOR	front cover	35-1	
M6510	STARTER	rear LH side of engine compartment		
N2	FINAL STAGE UNIT	behind LH side of dash		
N3	DIMMER	LH side of dash	26-1	
N4	ON-BOARD COMPUTER	center console	03-1	
N5	ANALOG CLOCK	center console		
N8	ANTENNA AMPLIFIER AM/FM	in upper LH C-pillar	33-1	
N9	RADIO	center console		
N10	MULTI-FUNCTION CLOCK	center console		
N12w	ANTI-THEFT CONTROL MODULE (ALPINE)	behind glove box (glove box removed)	01-3	
N17	CRASH CONTROL MODULE	LH side of dash behind instrument cluster	02-2	
N22	CD CHANGER	in LH forward side of luggage compartment		
N24	ROLLOVER SENSOR	in lower LH C-pillar behind side panel	02-3	
N404	DIVERSITY	C-pillar		
P90	FRONT POWER DISTRIBUTION BOX	rear LH side of engine compartment	05-3	
P95	AUXILIARY FUSE BOX	footwell, driver's side		

03/00

7000.0-11

1999



COMPONENT LOCATION CHART

COMP.	DESCRIPTION	LOCATION	7100.0	8500.0
P96 ..	AUXILIARY FUSE BOX IN LUGGAGE COMPARTMENT	in RH side of luggage compartment behind trim panel		
P97 ..	AUXILIARY FUSE BOX	LH side of dash behind instrument cluster	02-2	
R11 ...	BLOWER RESISTORS	behind center of dashboard left	29-1	
R31	AUXILIARY THROTTLE POSITION SENSOR	LH side of engine		
R6252	THROTTLE POSITION SENSOR	LH side of engine near oil level stick	13-3	
R6252	THROTTLE POSITION SENSOR	LH side of engine compartment (318i)	17-3	
R6255z	THROTTLE POSITION SENSOR (ASC) ...	LH side of engine compartment		
R8554	RESISTOR	front of engine compartment		
S2	IGNITION SWITCH	RH side of steering column	24-3	
S3	AUTOMATIC TRANSMISSION RANGE SWITCH	center console	30-3	
S4	HORN SWITCH	top of steering column	24-2	
S5	WIPER/WASHER SWITCH	LH side of dash RH side of steering column above		
S6	ASC SWITCH	center console	30-2	
S7	COMBINATION SWITCH	on steering column	24-3	
S8	LIGHT SWITCH	LH side of dash	26-1	
S10 ..	FOG LIGHT SWITCH	LH side of dash		
S13 ..	PASSENGER'S DOOR JAMB SWITCH ...	in upper RH B-pillar	33-3	
S14 ..	DRIVER'S DOOR JAMB SWITCH	in upper LH B-pillar	33-3	
S17 ..	MIRROR CONTROL SWITCH	in upper LH front door		
S18 ..	HAZARD SWITCH	center console near gearshift lever	30-3	

03/00

7000.0-12

1999



COMPONENT LOCATION CHART

COMP.	DESCRIPTION	LOCATION	7100.0	8500.0
S21w	ENGINE HOOD SWITCH	front RH side of engine compartment	10-2	
S28	CRUISE CONTROL SWITCH	on steering column	24-3	
S29	BRAKE LIGHT SWITCH	LH footwell on brake pedal support bracket behind LH footwell trim	26-3	
S30	BRAKE LIGHT SWITCH	LH footwell on brake pedal support bracket behind LH footwell trim	26-2	
S31	PARK BRAKE SWITCH	center console on rear of park brake lever	31-2	
S32	CLUTCH SWITCH	LH footwell on clutch pedal support bracket behind LH footwell trim	26-3	
S36	TEMPERATURE SWITCH	front RH side of engine compartment near RH headlight assembly	09-3	
S36y	DOUBLE TEMPERATURE SWITCH	RH top of radiator	09-3	
S38	TILT/SLIDE SUNROOF SWITCH (SHD)	roof		
S40y	CENTRAL POWER WINDOW SWITCH	center console		
S47	DRIVER'S DOOR LOCK SWITCH	LH front door, in door at key lock assembly		
S48	DRIVER'S DOOR HANDLE SWITCH	in driver's door		
S49	PASSENGER'S DOOR LOCK SWITCH	RH front door, in door at key lock assembly		
S51	DRIVER'S SEAT, SEAT CONTROL SWITCH	LH front seat		
S52	DRIVER'S SEAT LUMBAR SWITCH	LH front seat		
S53	DRIVER'S SEAT, SEAT HEATER SWITCH	center console near gearshift lever	30-2	
S54	PASSENGER'S SEAT, SEAT HEATER SWITCH	center console near gearshift lever	30-1	
S56	PASSENGER'S SEAT, SEAT CONTROL SWITCH	under RH front seat		
S58	DRIVER'S SEAT BELT SWITCH	in LH front seat belt buckle		
S59	PASSENGER'S SEAT BELT SWITCH	in RH front seat belt buckle		



COMPONENT LOCATION CHART

COMP.	DESCRIPTION	LOCATION	7100.0	8500.0
S61y	LUGGAGE COMPARTMENT LIGHT SWITCH	underside of luggage compartment lid left	34-2	
S63	ENGINE COOLANT LEVEL SWITCH	front RH side of engine compartment	18-1	
S64	WASHER FLUID LEVEL SWITCH	front RH side of engine compartment on washer fluid reservoir	10-1	
S75	BLOWER SWITCH	center of dash		
S77	DRIVER'S MAKE-UP MIRROR SWITCH	above LH sun visor	38-1	
S78	PASSENGER'S MAKE-UP MIRROR SWITCH	above RH sun visor	23-1	
S123	ABS PEDAL TRAVEL SENSOR	near brake master cylinder (M3)	18-3	
S126y	DRIVER'S POWER WINDOW SWITCH	center console near gearshift lever	31-1	
S127y	PASSENGER'S POWER WINDOW SWITCH	center console near gearshift lever	31-1	
S128z	LH REAR POWER WINDOW SWITCH	center console		
S129z	RH REAR POWER WINDOW SWITCH	center console		
S143	CONVERTIBLE TOP ACTUATING SWITCH	center console		
S164	CONVERTIBLE TOP END-POSITION MICRO SWITCH	at convertible top linkage		
S165	CONVERTIBLE TOP POSITION MICRO SWITCH	at convertible top linkage		
S196	REAR WINDOW BLOWER MICRO SWITCH	in convertible top compartment, left	35-2	
S198	JET HEATER THERMOSWITCH	front LH side of engine compartment	37-3	
S213	LUGGAGE COMPARTMENT LID MICRO SWITCH	underside of luggage compartment lid		

03/00

7000.0-14

1999



COMPONENT LOCATION CHART

COMP.	DESCRIPTION	LOCATION	7100.0	8500.0
S214	CONVERTIBLE TOP STORAGE LID MICRO SWITCH	at convertible top linkage		
S231	WINDSCREEN COWL PANEL LOCK MICRO SWITCH	front cover	35-1	
S235	STARTER IMMOBILIZATION SWITCH	LH footwell underside of steering column		
S302	CENTRAL LOCKING SWITCH	center console		
S303y	TOP HIFI SWITCH	center console		
S8503	PROGRAM SWITCH	center console		
S8507	KICK-DOWN SWITCH	LH footwell		
S8511	REVERSING LIGHT SWITCH	under front of car LH side of transmission		
T6151	CYL. 1 IGNITION COIL	top RH side of engine	13-1	
T6151	CYL. 1 IGNITION COIL	RH side of engine compartment (318i)	17-3	
T6152	CYL. 2 IGNITION COIL	top RH side of engine	13-1	
T6152	CYL. 2 IGNITION COIL	RH side of engine compartment (318i)	17-3	
T6153	CYL. 3 IGNITION COIL	top RH side of engine	13-1	
T6153	CYL. 3 IGNITION COIL	RH side of engine compartment (318i)	17-3	
T6154	CYL. 4 IGNITION COIL	top RH side of engine	13-1	
T6154	CYL. 4 IGNITION COIL	RH side of engine compartment (318i)	17-3	
T6155	CYL. 5 IGNITION COIL	top RH side of engine	13-1	
T6156	CYL. 6 IGNITION COIL	top RH side of engine	13-1	
V6	UNCOUPLING DIODE	rear LH side of engine compartment in Power Distribution Box		
V7	ASC DIODE	top LH side of engine compartment in Front Power Distribution Box		



COMPONENT LOCATION CHART

COMP.	DESCRIPTION	LOCATION	7100.0	8500.0
X0	B+ JUNCTION POINT	rear LH side of engine compartment	05-3	
X2	BATTERY B+ START POINT	rear LH side of engine compartment	05-3	
X9	B+ JUNCTION POINT	rear LH side of engine compartment	05-3	
X13	(30 PINS, BLACK)	behind LH footwell kickpanel	16-3	00-4
X14	(30 PINS, NATURAL)	behind LH footwell kickpanel	16-3	00-4
X16	(26 PINS, NATURAL)	LH side of dash rear side of instrument cluster, A2w	28-3	00-2
X17	(26 PINS, BLUE)	LH side of dash rear side of instrument cluster, A2w	28-3	00-2
X20	(25 PINS, BLACK)	rear LH side of engine compartment	18-3	05-2
X22	(26 PINS, GRAY)	RH side of dash behind glove box	01-2	00-2
X32	(12 PINS, NATURAL)	LH footwell underside of steering column	27-3	04-6
X33	(12 PINS, BLACK)	LH footwell underside of steering column behind LH footwell trim	27-3	04-6
X35	(12 PINS, NATURAL)	below LH side of dash RH side of steering column	27-3	04-6
X35	(12 PINS, NATURAL)	below LH side of dash RH side of steering column	28-1	04-6
X44	(9 PINS, BLACK)	Power Distribution Box rear LH side of engine compartment		03-6
X45	(9 PINS, BLACK)	Power Distribution Box rear LH side of engine compartment		03-6
X51	(9 PINS, BLACK)	Power Distribution Box rear LH side of engine compartment		03-6
X52	(9 PINS, BLACK)	Power Distribution Box rear LH side of engine compartment		03-6
X53	(9 PINS, BLACK)	Power Distribution Box rear LH side of engine compartment		03-6
X54	(9 PINS, BLACK)	Power Distribution Box rear LH side of engine compartment		03-6
X56	(9 PINS, BLACK)	Power Distribution Box rear LH side of engine compartment		03-6
X58	(9 PINS, BLACK)	Power Distribution Box rear LH side of engine compartment		03-6
X63	(9 PINS, BLACK)	behind LH footwell speaker grille		03-6

03/00

7000.0-16

1999



COMPONENT LOCATION CHART

COMP.	DESCRIPTION	LOCATION	7100.0	8500.0
X64	.. (9 PINS, BLACK)	Power Distribution Box rear LH side of engine compartment		03-6
X65	.. (9 PINS, BLACK)	below LH side of dash		03-6
X69	.. (25 PINS, GRAY)	rear LH side of engine compartment	18-3	05-2
X70	.. (8 PINS, BLACK)	front LH side of engine compartment	18-2	02-2
X72	.. (6 PINS, NATURAL)	footwell, driver's side	27-3	04-2
X74	.. (50 PINS, YELLOW)	below rear seat	00-2	02-1
X78	.. (4 PINS, BLACK)	LH footwell on brake pedal support bracket behind LH footwell trim	26-2	03-3
X82	.. (3 PINS, BLACK)	front of engine compartment on auxiliary fan	18-1	08-1
X85	.. (3 PINS, BLACK)	rear LH side of engine compartment	16-2	06-3
X87	.. (3 PINS, BLACK)	front RH side of engine compartment RH top of radiator	09-3	06-3
X105	.. (2 PINS, BLACK)	on underside of engine hood		
X106	.. (2 PINS, BLACK)	on underside of engine hood		
X107	.. (2 PINS, BLACK)	front RH side of engine compartment on washer fluid reservoir	10-1	
X109	.. (2 PINS, BLACK)	front RH side of engine compartment on washer fluid reservoir	10-1	
X111	.. (2 PINS, BLACK)	rear LH side of engine compartment top of brake fluid reservoir	18-3	
X112	.. (2 PINS, BLACK)	front RH side of engine compartment	18-1	
X113	.. (3 PINS, GRAY)	wheel well right	09-2	05-6
X114	.. (3 PINS, GRAY)	wheel well left	09-2	05-6
X116	.. (2 PINS, BLACK)	LH footwell near brake pedal	26-3	
X118	.. (2 PINS, BLACK)	wheel well left	09-2	
X121	.. (2 PINS, NATURAL)	LH footwell on clutch pedal	26-3	
X123	.. (2 PINS, GRAY)	front RH side of engine compartment on washer fluid reservoir	10-2	



COMPONENT LOCATION CHART

COMP.	DESCRIPTION	LOCATION	7100.0	8500.0
X128	(2 PINS, BLACK)	front RH side of engine compartment		
X132	(2 PINS, BLACK)	front of engine compartment		
X133	(2 PINS, BLACK)	front of engine compartment		
X137	(2 PINS, BLACK)	front LH side of engine compartment		
X142	(3 PINS, GRAY)	under rear of car near differential		05-6
X143	(3 PINS, GRAY)	under rear of car near differential	08-1	05-6
X163	(3 PINS, BLACK)	front RH side of engine compartment on washer fluid reservoir	10-1	06-3
X165	GROUND	front LH side of engine compartment	06-3	
X168	(1 PIN, BLACK)	LH side of steering column		
X173	GROUND	below LH side of dash	07-1	
X209	(12 PINS, BLACK)	LH footwell underside of steering column		
X256	(26 PINS, BLACK)	ahead of RH front door in lower RH A-pillar	32-1	04-1
X257	(26 PINS, BLACK)	ahead of LH front door in lower LH A-pillar		04-1
X271	(12 PINS, BLACK)	LH side of dash rear side of instrument cluster, A2w	28-3	01-3
X272	(2 PINS, NATURAL)	under roof center panel		
X273	(12 PINS, BLACK)	in lower LH B-pillar	21-1	01-2
X274	(12 PINS, BLACK)	in lower RH B-pillar	21-1	01-2
X275	(4 PINS, NATURAL)	under LH front seat	23-2	03-3
X279	(4 PINS, NATURAL)	under RH front seat	32-3	03-3
X285	(15 PINS, BLUE)	behind glove box	25-2	00-3
X292	(9 PINS, BLACK)	Power Distribution Box rear LH side of engine compartment		03-6
X295	(8 PINS, BLACK)	LH footwell underside of steering column behind LH footwell trim	27-3	03-5

03/00

7000.0-18

1999



COMPONENT LOCATION CHART

COMP.	DESCRIPTION	LOCATION	7100.0	8500.0
X311	(3 PINS, BLACK)	underside of luggage compartment lid left	34-2	01-1
X312	(2 PINS, BLACK)	in RH rear side of luggage compartment behind RH rear light assembly	03-3	
X315	(2 PINS, BLACK)	underside of luggage compartment lid left	34-2	
X316	(4 PINS, VIOLET)	center console near gearshift lever	31-1	09-1
X317	(4 PINS, NATURAL)	center console near gearshift lever	30-3	09-1
X318	(8 PINS, BLACK)	in RH rear side of luggage compartment behind RH rear light assembly	03-3	01-4
X319	(8 PINS, BLACK)	in LH rear side of luggage compartment behind LH rear light assembly		01-4
X320	(6 PINS, WHITE)	center console near gearshift lever	30-3	07-1
X322	(6 PINS, BLACK)	LH footwell	28-2	04-2
X324	(4 PINS, VIOLET)	center console near gearshift lever	31-1	09-1
X333	(4 PINS, NATURAL)	rear of engine compartment below center of cowl	16-1	08-6
X336	(6 PINS, BLACK)	under roof center panel	04-2	08-4
X351	(2 PINS, BLACK)	in upper RH B-pillar		
X352	(3 PINS, BLACK)	in lower LH C-pillar behind side panel	35-3	01-1
X355	(2 PINS, BLACK)	in upper RH C-pillar	33-2	
X356	(2 PINS, BLACK)	in upper LH C-pillar	33-1	
X371	(2 PINS, BLACK)	front RH side of engine compartment on washer fluid reservoir	10-2	
X372	(2 PINS, GRAY)	rear RH side of engine compartment back of RH side shock tower		
X379	(1 PIN, BLACK)	in upper LH C-pillar	33-1	
X380	(1 PIN, BLACK)	in upper RH C-pillar	33-2	
X381	(3 PINS, BLACK)	above LH sun visor	38-1	01-1
X382	(3 PINS, BLACK)	above RH sun visor	23-1	01-1

03/00

7000.0-19

1999



COMPONENT LOCATION CHART

COMP.	DESCRIPTION	LOCATION	7100.0	8500.0
X383	(2 PINS, BLACK)	under rear of car on differential	08-1	
X386	(2 PINS, BLACK)	REAR ASHTRAY LIGHT		
X389	(2 PINS, BLACK)	rear LH side of engine compartment		
X390	(2 PINS, BLACK)	RH side of dash behind glove box		
X400	(8 PINS, BLACK)	in LH rear side of luggage compartment		03-5
X401	(1 PIN, BLACK)	above LH sun visor	38-1	
X402	(1 PIN, BLACK)	above RH sun visor	23-1	
X413	(3 PINS, NATURAL)	at back of rear window shelf		01-1
X423	(1 PIN, NATURAL)	below center console on rear of park brake lever		
X424	(1 PIN, BROWN)	in upper LH C-pillar	33-1	
X494	GROUND	under LH front seat under carpet left	39-2	
X495	GROUND	behind RH footwell trim	07-3	
X498	GROUND	under LH front seat under carpet left	39-2	
X503	(12 PINS, WHITE)	LH side of dash	26-1	01-6
X504	(4 PINS, NATURAL)	LH side of dash	26-1	03-3
X511	(8 PINS, BLACK)	center console	30-3	01-4
X516	(5 PINS, BLACK)	center console	30-3	03-2
X517	(4 PINS, BLACK)	LH side of dash	26-1	03-3
X518	(4 PINS, BLACK)	LH footwell	28-2	03-3
X521	(6 PINS, BLUE)	center console		04-5
X522	(3 PINS, NATURAL)	LH footwell	28-2	01-1
X531	(1 PIN, NATURAL)	center console near gearshift lever	30-2	

03/00

7000.0-20

1999



COMPONENT LOCATION CHART

COMP.	DESCRIPTION	LOCATION	7100.0	8500.0
X532	(2 PINS, BLACK)	center console near gearshift lever	30-2	
X537	(3 PINS, BLACK)	in upper LH front door behind door panel	31-3	01-1
X538	(3 PINS, BLACK)	RH front door behind door panel	32-1	01-1
X542	(2 PINS, BLACK)	LH side of glove box, CHARGING SOCKET	25-1	
X603	(12 PINS, BLACK)	LH front seat		04-6
X604	(12 PINS, BLACK)	RH front seat		04-6
X605	(12 PINS, BLACK)	below RH side of rear seat (Convertible)	02-3	03-4
X605	(12 PINS, BLACK)	in LH side of luggage compartment	04-1	03-4
X606	(26 PINS, BLACK)	below RH side of rear seat (Convertible)	02-3	00-2
X606	(26 PINS, BLACK)	in LH side of luggage compartment	04-1	00-2
X607	(9 PINS, BLACK)	below LH side of dash	02-2	03-6
X623	(4 PINS, BLACK)	in upper LH front door behind door panel		09-1
X624	(4 PINS, BLACK)	in upper RH front door behind door panel	32-1	09-1
X625	(6 PINS, WHITE)	LH front door	31-3	05-1
X638	(2 PINS, BLACK)	below RH side of rear seat	20-2	
X641	(6 PINS, BLACK)	RH front door behind door panel		08-2
X643	(4 PINS, VIOLET)	in roof panel		09-1
X651	(6 PINS, VIOLET)	center console	30-2	05-3
X652	(6 PINS, BLACK)	driver's seat left		05-1
X658	(6 PINS, VIOLET)	center console	30-1	05-3
X660	(6 PINS, BLACK)	LH front door in door at key lock assembly		05-4
X663	(6 PINS, GRAY)	RH side of IHKA Plenum	29-3	07-1

03/00

7000.0-21

1999



COMPONENT LOCATION CHART

COMP.	DESCRIPTION	LOCATION	7100.0	8500.0
X671	(5 PINS, BLACK)	behind LH side of dash		04-3
X679	(2 PINS, NATURAL)	below RH side of rear seat	20-2	
X700	(1 PIN, NATURAL)	behind RH footwell speaker grille		
X701	(1 PIN, NATURAL)	behind LH footwell kickpanel		
X706	(2 PINS, BLACK)	center console	31-2	
X709	(2 PINS, BLACK)	underside of luggage compartment lid, near license plate	09-1	
X710	(2 PINS, BLACK)	underside of luggage compartment lid, near license plate	09-1	
X711	(1 PIN, NATURAL)	underside of luggage compartment lid left	34-2	
X712	(1 PIN, NATURAL)	underside of luggage compartment lid left		
X713	(2 PINS, BLACK)	under rear of car near differential on differential	08-1	
X726	(2 PINS, —)	under LH front seat	23-2	
X727	(2 PINS, —)	under LH front seat	23-2	
X728	(2 PINS, —)	under LH front seat	23-2	
X729	(2 PINS, —)	under LH front seat	23-2	
X732	(4 PINS, BLACK)	under LH front seat under carpet		03-3
X733	(4 PINS, BLACK)	under LH front seat under carpet		03-3
X734	(2 PINS, —)	under RH front seat		
X735	(2 PINS, —)	under RH front seat		
X736	(2 PINS, —)	under RH front seat		
X737	(2 PINS, —)	under RH front seat		
X740	(4 PINS, BLACK)	under RH front seat	24-1	03-3
X741	(4 PINS, BLACK)	under RH front seat	24-1	03-3

03/00

7000.0-22

1999



COMPONENT LOCATION CHART

COMP.	DESCRIPTION	LOCATION	7100.0	8500.0
X742	(2 PINS, YELLOW)	RH front door in door at key lock assembly		
X744	(4 PINS, GRAY)	RH front door behind door panel	32-1	08-5
X745	(3 PINS, BLACK)	above RH footwell dash panel		01-1
X746	(3 PINS, NATURAL)	RH front door behind door panel	32-1	01-1
X747	(2 PINS, YELLOW)	LH front door in door at key lock assembly	32-2	
X748	(3 PINS, BLACK)	footwell, driver's side, behind trim panel		01-1
X749	(4 PINS, BLACK)	in upper LH front door	31-3	08-5
X751	(2 PINS, NATURAL)	LH front door	32-2	
X752	(2 PINS, GRAY)	LH front door in door at key lock assembly	32-2	
X753	(3 PINS, NATURAL)	LH front door		01-1
X768	(2 PINS, WHITE)	in the engine compartment near LH headlight assembly	08-2	
X769	(2 PINS, WHITE)	in the engine compartment near RH headlight assembly	08-2	
X770	(2 PINS, YELLOW)	front RH side of engine compartment	20-1	
X771	(2 PINS, BLACK)	RH side of LH footwell LH side of IHKA Plenum	28-1	
X772	(2 PINS, WHITE)	center console		
X773	(2 PINS, WHITE)	center console		
X774	(1 PIN, GRAY)	rear of engine compartment behind RH fresh air cowl		
X778	(4 PINS, BLACK)	under LH front seat	23-2	09-1
X779	(2 PINS, BLACK)	LH side of glove box	25-1	
X782	(3 PINS, ORANGE)	below RH side of dash	27-2	09-3
X783	(3 PINS, BLACK)	underside of steering column		09-3
X816	(2 PINS, BLACK)	rear of engine compartment behind RH fresh air cowl		

03/00

7000.0-23

1999



COMPONENT LOCATION CHART

COMP.	DESCRIPTION	LOCATION	7100.0	8500.0
X817	(1 PIN, BLACK)	rear of engine compartment behind RH fresh air cowl		
X899	(12 PINS, BLACK)	behind center of dashboard		01-3
X904	(4 PINS, BLACK)	LH side of IHKA Plenum	29-1	03-3
X905	(5 PINS, BLACK)	behind center of dashboard		
X999	(4 PINS, BLACK)	behind center of dashboard left		03-3
X1001	(4 PINS, NATURAL)	RIGHT REAR SPEAKER		03-3
X1002	(4 PINS, NATURAL)	LEFT REAR SPEAKER		03-3
X1014	(1 PIN, BLACK)	center console near gearshift lever	30-2	
X1070	(18 PINS, BLACK)	center console	03-1	01-5
X1071	(18 PINS, NATURAL)	center console	03-1	01-5
X1074	(15 PINS, NATURAL)	below LH side of dash	00-3	00-3
X1075	(15 PINS, BLACK)	below LH side of dash	00-3	00-3
X1148	(2 PINS, BLACK)	front LH side of engine compartment, JET HEATER THERMOSWITCH	37-3	
X1155	(3 PINS, BLACK)	center console		01-1
X1162	(2 PINS, BLACK)	near brake master cylinder	18-3	
X1165	GROUND	below LH side of dash	07-1	
X1166	GROUND	behind RH footwell trim	07-3	
X1170	(42 PINS, BLACK)	behind glove box (glove box removed)	01-3	09-4
X1171	(55 PINS, BLACK)	behind glove box (glove box removed)	01-3	00-1
X1176	(25 PINS, BLACK)	LH side of engine compartment		05-2
X1178	(2 PINS, NATURAL)	below center console LH side of gearshift selector		
X1193	(3 PINS, BLACK)	center console RH side of gearshift selector		01-1

03/00

7000.0-24

1999



COMPONENT LOCATION CHART

COMP.	DESCRIPTION	LOCATION	7100.0	8500.0
X1213	(2 PINS, BLACK)	center console	31-2	
X1241	(2 PINS, NATURAL)	below LH side of rear seat	21-2	
X1245	(1 PIN, BLACK)	in sun visor		
X1246	(1 PIN, BLACK)	in sun visor		
X1260	(2 PINS, BLACK)	behind side panel left		
X1261	(2 PINS, BLACK)	behind side panel right		
X1292	(4 PINS, NATURAL)	center console		09-1
X1380	(1 PIN, NATURAL)	behind RH footwell speaker grille		
X1381	(1 PIN, NATURAL)	behind LH footwell kickpanel		
X1405	(1 PIN, NATURAL)	rear LH side of engine compartment in Power Distribution Box		
X1406	(1 PIN, WHITE)	rear LH side of engine compartment in Power Distribution Box		
X1439	(2 PINS, BLACK)	center console		
X1441	GROUND	below rear seat	00-2	
X1527	(26 PINS, BLUE)	behind center console	03-2	00-2
X1588	(2 PINS, BLACK)	below LH side of dash		
X1659	(15 PINS, VIOLET)	RH side of dash behind glove box	38-3	00-3
X1660	(3 PINS, WHITE)	RH side of steering column	04-3	01-1
X1715	(4 PINS, NATURAL)	behind trim panel, SUBWOOFER		03-3
X1780	(9 PINS, BLACK)	footwell, driver's side behind trim panel		03-6
X1883	(3 PINS, YELLOW)	in driver's door		
X1884	(3 PINS, YELLOW)	in passenger's door		01-1
X1885	(3 PINS, BLACK)	in lower LH B-pillar	39-2	05-5

03/00

7000.0-25

1999



COMPONENT LOCATION CHART

COMP.	DESCRIPTION	LOCATION	7100.0	8500.0
X1886	(3 PINS, BLACK)	in lower RH B-pillar		05-5
X1890	(3 PINS, BLACK)	behind front grille behind trim panel		01-1
X1892	(3 PINS, BLACK)	in RH rear side of luggage compartment		01-1
X4770	(4 PINS, NATURAL)	in upper RH C-pillar		09-1
X4771	(4 PINS, NATURAL)	in upper LH C-pillar		09-1
X6000	(88 PINS, BLACK)	rear RH side of engine compartment	00-1	06-1
X6002	(20 PINS, BLACK)	rear RH side of engine compartment	05-1	04-4
X6031	(12 PINS, BLACK)	rear LH side of engine compartment		01-6
X6101	(2 PINS, BLACK)	top center of engine	36-1	
X6102	(2 PINS, BLACK)	top center of engine	36-1	
X6103	(2 PINS, BLACK)	top center of engine	36-1	
X6104	(2 PINS, BLACK)	top center of engine	36-1	
X6105	(2 PINS, BLACK)	top center of engine	36-1	
X6106	(2 PINS, BLACK)	top center of engine	36-1	
X6120	(2 PINS, BLACK)	LH side of engine compartment right of LH side shock tower	15-1	
X6120	(2 PINS, BLACK)	LH side of engine compartment right of LH side shock tower	20-3	
X6130	(3 PINS, GRAY)	front of engine below intake manifold	11-3	09-2
X6130	(2 PINS, BLACK)	rear LH side of engine compartment	11-2	
X6131	(2 PINS, BLACK)	rear LH side of engine compartment	36-2	
X6133	(2 PINS, BLACK)	front of engine compartment		
X6150	(12 PINS, BLACK)	front RH side of engine compartment	05-1	01-6
X6151	(3 PINS, GRAY)	top RH side of engine		07-4

03/00

7000.0-26

1999



COMPONENT LOCATION CHART

COMP.	DESCRIPTION	LOCATION	7100.0	8500.0
X6152	(3 PINS, GRAY)	top RH side of engine		07-4
X6153	(3 PINS, GRAY)	top RH side of engine		07-4
X6154	(3 PINS, GRAY)	top RH side of engine		07-4
X6155	(3 PINS, GRAY)	top RH side of engine		07-4
X6156	(3 PINS, GRAY)	top RH side of engine		07-4
X6163	(2 PINS, BLACK)	RH side of engine		
X6203	(3 PINS, BLACK)	front of engine below intake manifold		09-3
X6204	(3 PINS, BLACK)	front of engine below intake manifold		07-3
X6205	(2 PINS, BLACK)	front LH side of engine compartment (318i)	18-2	
X6205	(2 PINS, BLACK)	LH side of engine near oil level stick	36-3	
X6207	(4 PINS, BLACK)	LH side of engine	12-1	07-2
X6209	(3 PINS, BLACK)	front of engine, HALL EFFECT CAMSHAFT SENSOR		07-5
X6217	(4 PINS, GRAY)	top front of engine	18-2	07-2
X6231	(2 PINS, BLACK)	LH side of engine compartment near oil level stick	11-1	
X6231	(2 PINS, BROWN)	front of engine below intake manifold (318i)	17-1	
X6238	(2 PINS, BLACK)	LH side of engine (M3)		
X6240	(4 PINS, BLACK)	LH side of engine near starter		07-2
X6252	(3 PINS, BLACK)	LH side of engine	13-3	07-3
X6252	(3 PINS, BLACK)	LH side of engine near oil level stick	12-1	09-2
X6255	(3 PINS, BLACK)	LH side of engine compartment		09-2
X6256	(4 PINS, BLACK)	front of engine	11-1	07-2
X6256	(4 PINS, BLACK)	front of engine	17-2	

03/00

7000.0-27

1999



COMPONENT LOCATION CHART

COMP.	DESCRIPTION	LOCATION	7100.0	8500.0
X6263	(2 PINS, BLACK)	under LH center of car		
X6275	(2 PINS, BLACK)	top center of engine	12-2	
X6300	(9 PINS, BLACK)	rear LH side of engine compartment		03-6
X6301	(9 PINS, BLACK)	rear LH side of engine compartment		03-6
X6304	(9 PINS, BLACK)	rear LH side of engine compartment		03-6
X6326	(9 PINS, BLACK)	rear RH side of engine compartment in E-Box	39-1	03-6
X6430	CABLE SOCKET B+ JUMP START JUNCTION POINT	rear RH side of engine compartment		
X6431	CABLE SOCKET B+ JUMP START JUNCTION POINT	rear RH side of engine compartment		
X6432	CABLE SOCKET B+ JUMP START JUNCTION POINT	rear RH side of engine compartment		
X6433	CABLE SOCKET B+ JUMP START JUNCTION POINT	rear RH side of engine compartment		
X6437	CABLE SOCKET B+ JUMP START JUNCTION POINT	rear RH side of engine compartment		
X6454	GROUND	rear RH side of engine compartment back of RH side shock tower	06-2	
X6455	GROUND	LH side of engine compartment		
X6456	GROUND	on cylinder head	07-2	
X6509	CABLE SOCKET ALTERNATOR B+	front LH side of engine compartment	05-2	
X6510	CABLE SOCKET STARTER, TERMINAL 50	rear LH side of engine compartment below intake manifold		
X6511	CABLE SOCKET STARTER, TERMINAL 30h	rear LH side of engine compartment below intake manifold		
X6512	CABLE SOCKET STARTER, TERMINAL 30	rear LH side of engine compartment below intake manifold		

03/00

7000.0-28

1999



COMPONENT LOCATION CHART

COMP.	DESCRIPTION	LOCATION	7100.0	8500.0
X6550	(2 PINS, BLACK)	under LH center of car behind trim panel	27-1	
X7000	(88 PINS, BLACK)	rear RH side of engine compartment	00-1	06-1
X7509	CABLE SOCKET ALTERNATOR, TERMINAL D+	front LH side of engine compartment below		
X8500	(88 PINS, BLACK)	rear RH side of engine compartment	00-1	06-1
X8503	(10 PINS, WHITE)	center console RH side of gearshift selector	31-1	02-4
X8505	(16 PINS, BLACK)	on RH side of transmission		03-1
X8507	(1 PIN, BLACK)	below LH side of dash		
X8511	(2 PINS, BLACK)	under front of car LH side of transmission		
X8516	(3 PINS, BLACK)	under center of car above		09-2
X9997	(2 PINS, ORANGE)	behind steering wheel	24-2	
X10010	GROUND	behind RH footwell trim		
X10012	GROUND	behind RH footwell trim	07-3	
X10013	(1 PIN, —)	top of steering column		
X10054	(12 PINS, BLACK)	below LH side of dash RH side of steering column	28-1	04-6
X10070	(2 PINS, GRAY)	near LH headlight assembly	13-2	
X10071	(2 PINS, BLACK)	near LH headlight assembly	13-2	
X10074	(2 PINS, BLACK)	near LH headlight assembly		
X10075	(2 PINS, GRAY)	near RH headlight assembly		
X10092	(9 PINS, BLACK)	behind glove box left	25-2	03-6
X10094	(2 PINS, BLACK)	LH side of engine compartment	12-1	
X10098	(1 PIN, —)	front RH side of engine compartment		

03/00

7000.0-29

1999



COMPONENT LOCATION CHART

COMP.	DESCRIPTION	LOCATION	7100.0	8500.0
X10099	(1 PIN, —)	front RH side of engine compartment		
X10182	(18 PINS, BLACK)	behind glove box (glove box removed)		01-5
X10193	(9 PINS, BLACK)	behind glove box (glove box removed)	01-2	03-6
X10213	(2 PINS, BLACK)	front RH side of engine compartment		
X10216	(2 PINS, YELLOW)	driver's seat right		
X10217	(2 PINS, YELLOW)	passenger's seat left		
X10218	(3 PINS, NATURAL)	under RH front seat	24-1	01-1
X10223	(3 PINS, BLACK)	in convertible top compartment left	22-1	01-1
X10224	(2 PINS, BLACK)	in convertible top compartment left	22-1	
X10225	(3 PINS, NATURAL)	underside of luggage compartment lid		01-1
X10226	(9 PINS, BLACK)	behind glove box	25-2	03-6
X10227	(4 PINS, VIOLET)	in convertible top compartment		07-6
X10239	(3 PINS, BLACK)	LH side of engine compartment	12-1	07-3
X10244	(1 PIN, BLACK)	below RH side of dash		
X10250	(2 PINS, BLACK)	behind LH footwell speaker grille		
X10261	(4 PINS, BLACK)	front RH side of engine compartment near RH headlight assembly	09-3	08-5
X10262	(9 PINS, BLACK)	below LH side of dash		03-6
X10266	(6 PINS, BLACK)	below RH side of rear seat (Convertible)		05-3
X10267	(6 PINS, BLACK)	center console		05-3
X10273	(2 PINS, BLACK)	LH side of dash behind instrument cluster		
X11166	GROUND	in lower LH C-pillar behind side panel	35-3	
X11205	(2 PINS, BLACK)	behind rear seats right	22-3	

03/00

7000.0-30

1999



COMPONENT LOCATION CHART

COMP.	DESCRIPTION	LOCATION	7100.0	8500.0
X11208	(2 PINS, BLACK)	hard top		
X11209	(2 PINS, BLACK)	behind rear seats left behind side panel	35-3	
X11211	(2 PINS, —)	in convertible top compartment		
X11277	(3 PINS, VIOLET)	on lift gate in rear spoiler		01-1
X11289	(3 PINS, VIOLET)	under LH front seat		01-1
X11290	(3 PINS, VIOLET)	under RH front seat		01-1
X11335	(3 PINS, YELLOW)	in driver's door	39-3	01-1
X11336	(3 PINS, YELLOW)	in passenger's door		01-1
X11379	(3 PINS, NATURAL)	RH top of radiator	09-3	06-3
X11382	(2 PINS, BLUE)	front cover	35-1	
X11383	(2 PINS, BLUE)	in lower LH C-pillar behind side panel	35-3	
X11385	(3 PINS, BLACK)	front cover	35-1	01-1
X11386	(3 PINS, BLUE)	in lower LH C-pillar behind side panel	35-3	01-1
X11390	(12 PINS, BLACK)	in lower LH C-pillar behind side panel	02-1	01-3
X11393	(9 PINS, BLACK)	Power Distribution Box rear LH side of engine compartment		03-6
X11395	(5 PINS, BLACK)	behind glove box (glove box removed)		04-3
X13004	GROUND	in upper RH rear seatback	06-1	
X13006	GROUND	in upper LH rear seatback		
X13009	GROUND	behind RH footwell trim	07-3	
X13016	GROUND	below LH side of dash	07-1	
X13025	(12 PINS, BLACK)	behind glove box (glove box removed)	01-3	04-6
X13044	(26 PINS, BLACK)	in lower LH C-pillar behind side panel	02-1	00-2

03/00

7000.0-31

1999



COMPONENT LOCATION CHART

COMP.	DESCRIPTION	LOCATION	7100.0	8500.0
X13045	(6 PINS, NATURAL)	center console		05-3
X13079	(3 PINS, VIOLET)	behind rear seats		01-1
X13142	(2 PINS, WHITE)	behind rear seats	21-3	
X13143	(3 PINS, BLACK)	behind rear seats behind side panel	35-3	01-1
X13145	(6 PINS, BLACK)	in LH side of luggage compartment	34-3	04-2
X13146	(2 PINS, BLACK)	in LH side of luggage compartment	34-1	
X13152	(4 PINS, BLACK)	in LH side of luggage compartment	34-1	09-1
X13156	(10 PINS, BLACK)	in lower LH C-pillar behind side panel	02-1	06-2
X13157	(6 PINS, BLACK)	in lower LH C-pillar behind side panel	02-1	05-3
X13159	(26 PINS, BLACK)	in lower LH C-pillar behind side panel	02-1	00-2
X13170	(2 PINS, BLACK)	in spare-wheel well	14-3	
X13171	(3 PINS, NATURAL)	RH rear wheel well behind trim panel	14-1	06-4
X13172	(2 PINS, BLACK)	in LH rear side of luggage compartment	14-2	
X13176	(6 PINS, NATURAL)	under roof center panel		05-3
X13226	(2 PINS, BLACK)	behind rear seats		
X13227	(2 PINS, BLACK)	behind rear seats		
X13230	GROUND	behind RH footwell trim above (Convertible)		
X13252	(15 PINS, BLACK)	behind glove box (glove box removed)	01-1	00-3
X13253	(26 PINS, VIOLET)	behind glove box (glove box removed)	01-1	00-2
X13254	(26 PINS, GREEN)	behind glove box (glove box removed)	01-1	00-2
X13255	(12 PINS, NATURAL)	behind glove box (glove box removed)		01-3
X13256	(2 PINS, GRAY)	left from LH rear seat behind trim panel	22-2	

03/00

7000.0-32

1999



COMPONENT LOCATION CHART

COMP.	DESCRIPTION	LOCATION	7100.0	8500.0
X13257	(2 PINS, GRAY)	RH side of RH rear seat behind trim panel	22-2	
X13258	(15 PINS, NATURAL)	behind glove box (glove box removed)	25-2	00-3
X13262	(4 PINS, BLUE)	center console		09-1
X13263	(2 PINS, BLACK)	behind glove box		
X13305	(8 PINS, BLACK)	center console		01-4
X18080	(1 PIN, NATURAL)	in luggage compartment		
X18126	(17 PINS, BLACK)	center console behind radio		02-3
X18135	(4 PINS, —)	under driver's seat		
X18196	(10 PINS, BLACK)	driver's door, LEFT FRONT HIGH RANGE SPEAKER		02-4
X18198	(10 PINS, BLACK)	passenger's door, RIGHT FRONT HIGH RANGE SPEAKER		02-4
X18279	(2 PINS, GRAY)	in lower LH front door behind trim panel		
X18280	(2 PINS, GRAY)	in lower RH side of front door behind trim panel		
X18296	(2 PINS, YELLOW)	in lower LH B-pillar behind trim panel	32-2	
X18336	(3 PINS, BLACK)	LH side of glove box (glove box removed)	25-1	01-1
X18518	(4 PINS, BLACK)	under RH front seat		09-1
X18520	(10 PINS, —)	center console, RADIO		
X18521	(10 PINS, —)	RH side of luggage compartment, CD CHANGER		
X18723	GROUND	below LH side of dash		
X18797	(1 PIN, NATURAL)	in RH rear side of luggage compartment		
X18798	(1 PIN, NATURAL)	in RH rear side of luggage compartment		
X18994	(3 PINS, VIOLET)	rear LH side of engine compartment below		01-1
X19527	(16 PINS, BLACK)	below LH side of dash		08-3

03/00

7000.0-33

1999



COMPONENT LOCATION CHART

COMP.	DESCRIPTION	LOCATION	7100.0	8500.0
X19561	(6 PINS, BLACK)	on RH side of transmission		05-3
X19564	(2 PINS, BLACK)	in RH side of luggage compartment behind trim panel		
X62001	(4 PINS, BLACK)	under center of car (318i)	37-1	07-2
X62002	(4 PINS, BLACK)	under center of car (318i)	37-2	07-2
X62101	(4 PINS, BLACK)	top center of engine	15-3	07-2
X62102	(4 PINS, BLACK)	under center of car on catalytic converter		07-2
X62201	(4 PINS, BLACK)	top center of engine	15-3	07-2
X62202	(4 PINS, BLACK)	under center of car on catalytic converter		07-2
X90260	(3 PINS, BLACK)	RH side of steering column	04-3	01-1
X91009	(2 PINS, BLACK)	under passenger's seat		
Y1	ABS HYDRAULIC UNIT	rear LH side of engine compartment back of LH side shock tower	16-2	
Y1w	ABS HYDRAULIC UNIT	LH side of engine compartment		
Y2	AIR CONDITIONING COMPRESSOR	front of engine		
Y4	WATER VALVE ASSEMBLY	rear LH side of engine compartment	16-2	
Y5	DRIVER'S SIDE MIRROR	in upper LH front door		
Y6	PASSENGER'S SIDE MIRROR	in upper RH front door		
Y19	SHIFT-LOCK	center console RH side of gearshift selector		
Y85	LH ROLLOVER PROTECTION ACTUATOR	behind rear seats (Convertible)	02-3	
Y86	RH ROLLOVER PROTECTION ACTUATOR	behind rear seats (Convertible)	02-3	
Y198	EXHAUST GAS FLAP VALVE	in LH rear side of luggage compartment	14-2	
Y199	CARBON CANISTER VALVE	in spare-wheel well	14-3	
Y6101	CYL. 1 FUEL INJECTION VALVE	RH front of engine	12-3	



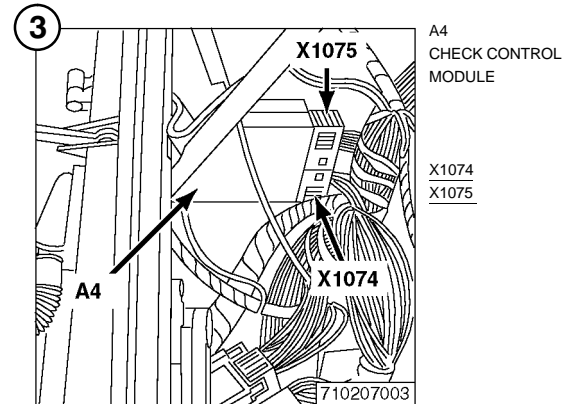
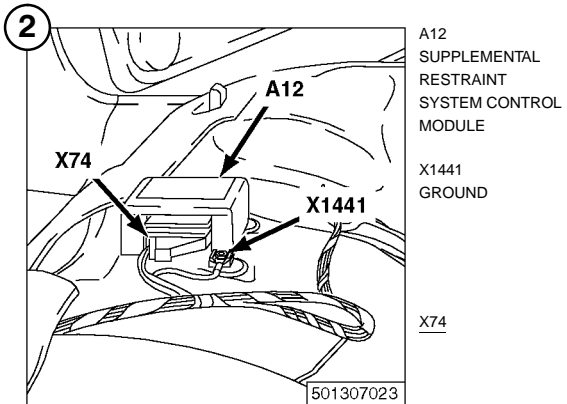
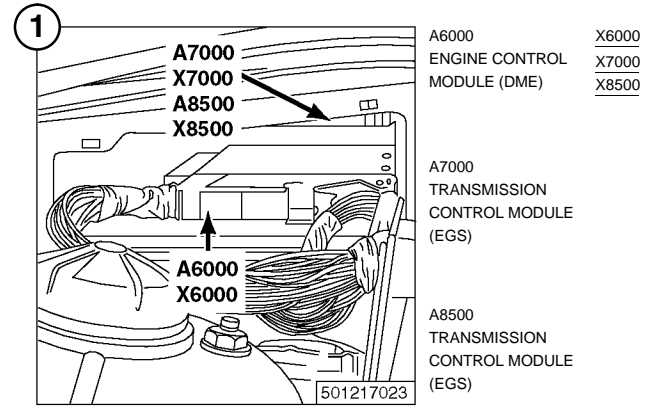
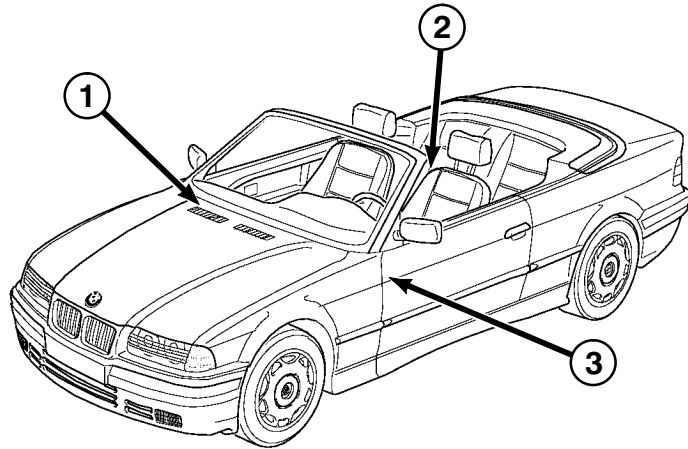
COMPONENT LOCATION CHART

COMP.	DESCRIPTION	LOCATION	7100.0	8500.0
Y6102	CYL. 2 FUEL INJECTION VALVE	top center of engine	12-3	
Y6103	CYL. 3 FUEL INJECTION VALVE	top center of engine	12-3	
Y6104	CYL. 4 FUEL INJECTION VALVE	top center of engine	12-3	
Y6105	CYL. 5 FUEL INJECTION VALVE	top center of engine	12-3	
Y6106	CYL. 6 FUEL INJECTION VALVE	top center of engine	12-3	
Y6120	EVAPORATIVE EMISSION VALVE	front LH side of engine compartment right of LH side shock tower	15-1	
Y6120	EVAPORATIVE EMISSION VALVE	LH side of engine compartment right of LH side shock tower	20-3	
Y6130	IDLE SPEED CONTROL VALVE	front of engine below intake manifold	11-3	
Y6130	IDLE SPEED CONTROL VALVE	rear LH side of engine compartment	11-2	
Y6131	INTAKE AIR RESONANCE CHANGEOVER VALVE	rear LH side of engine compartment	36-2	
Y6133	AIR PUMP	front of engine compartment	05-1	
Y6163	SECONDARY AIR PUMP VALVE	RH side of engine		
Y6263	FUEL CHANGEOVER VALVE	under LH center of car		
Y6275	VARIABLE CAMSHAFT CONTROL VALVE 1	top center of engine	12-2	
Y6550	SOLENOID VALVE ("RUNNING LOSSES") .	under LH center of car		
Y8505	TRANSMISSION VALVE UNIT	on LH side of transmission		
Y8505y	TRANSMISSION VALVE UNIT	on LH side of transmission		



7100.0 COMPONENT LOCATION VIEWS

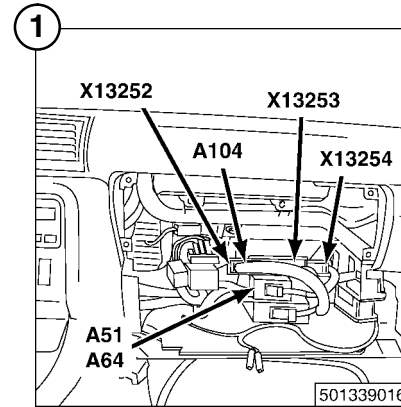
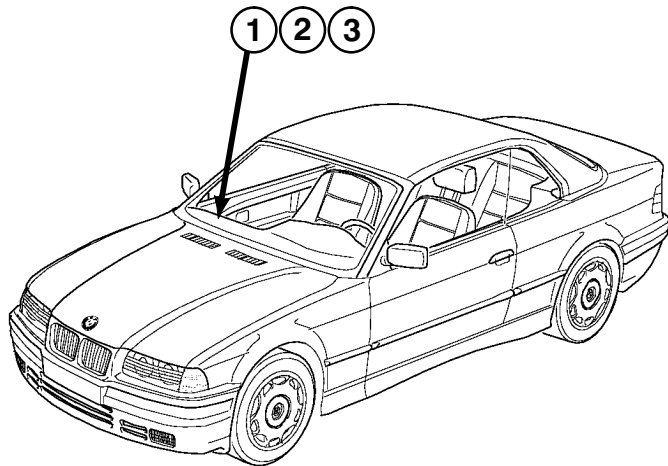
ELECTRICAL CONTROL MODULE LOCATIONS



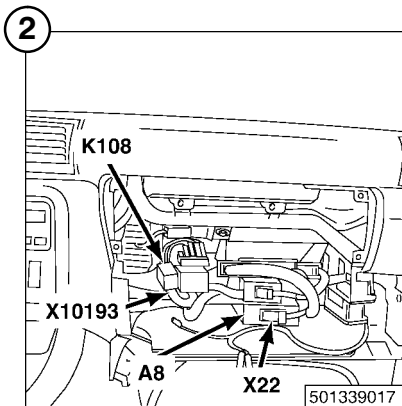


COMPONENT LOCATION VIEWS

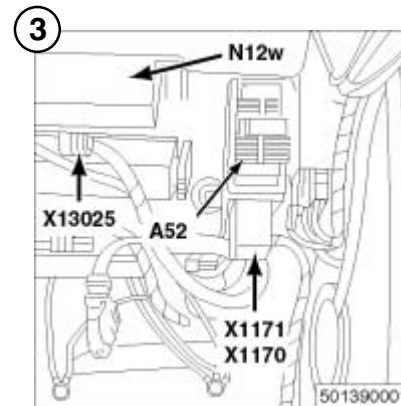
ELECTRICAL CONTROL MODULE LOCATIONS



- A51 WIPER/WASHER MODULE X13252
X13253
X13254
- A64 WIPER/WASHER MODULE (LOW II)
- A104 BODY ELECTRONICS CONTROL MODULE (ZKE IV)



- A8 CRUISE CONTROL MODULE (TEMPOMAT)
- K108 HORN RELAY (ALPINE)
- X22 X10193

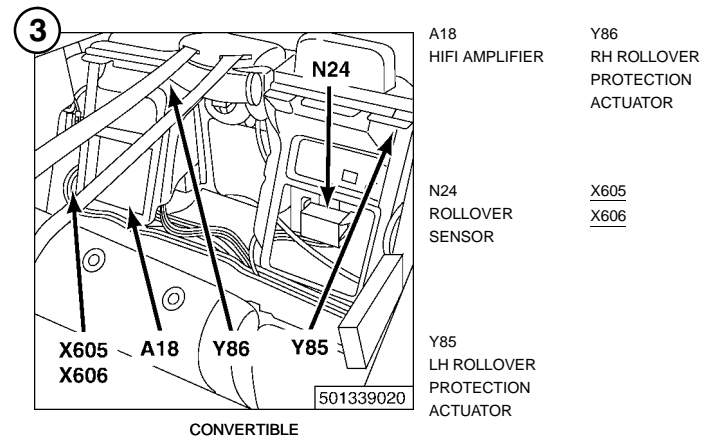
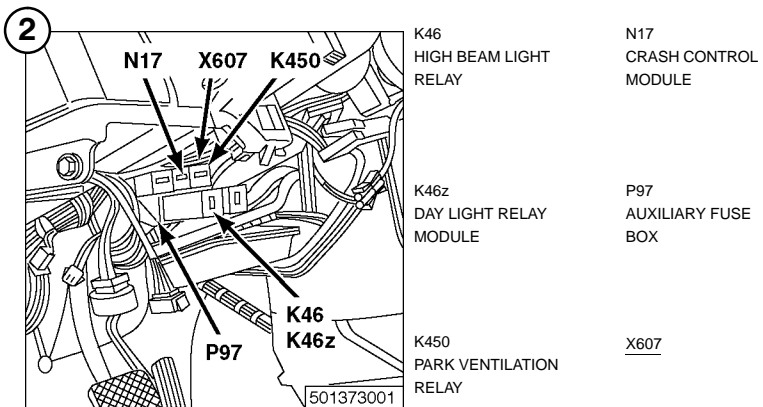
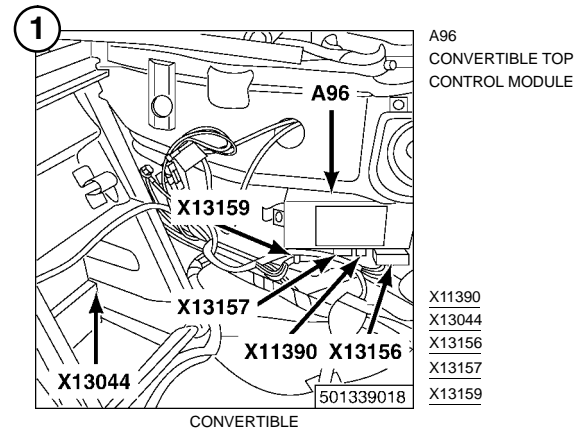
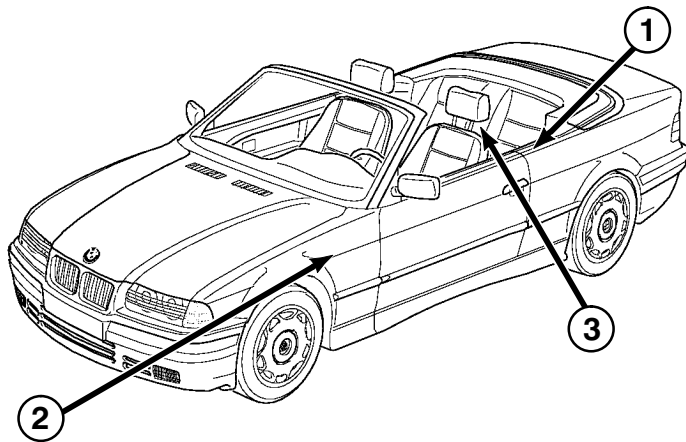


- A52 SLIP CONTROL MODULE (ABS/ASC)
- N12w ANTI-THEFT CONTROL MODULE (ALPINE)
- X1170 X1171
X13025



COMPONENT LOCATION VIEWS

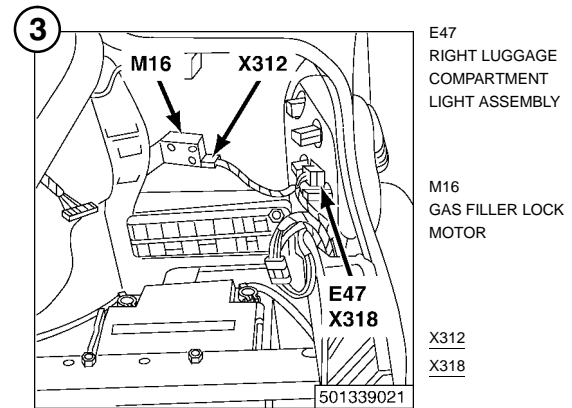
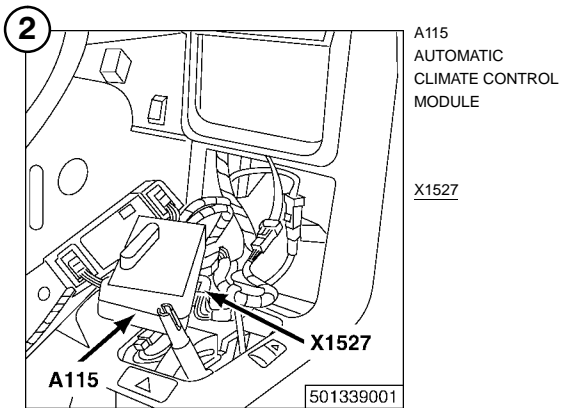
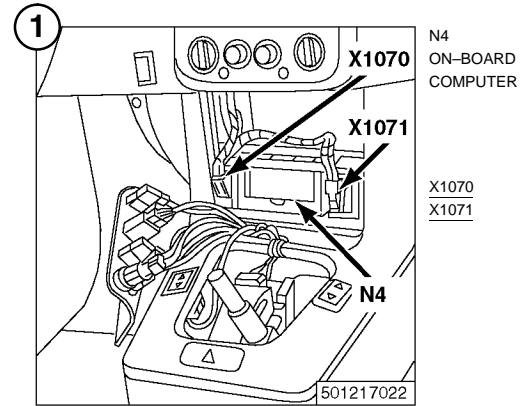
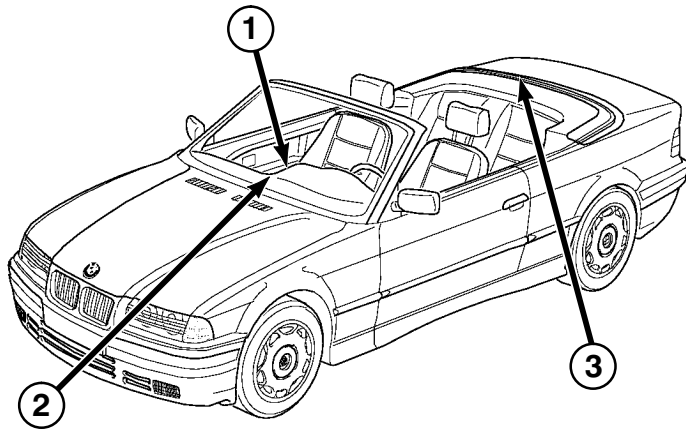
ELECTRICAL CONTROL MODULE LOCATIONS





COMPONENT LOCATION VIEWS

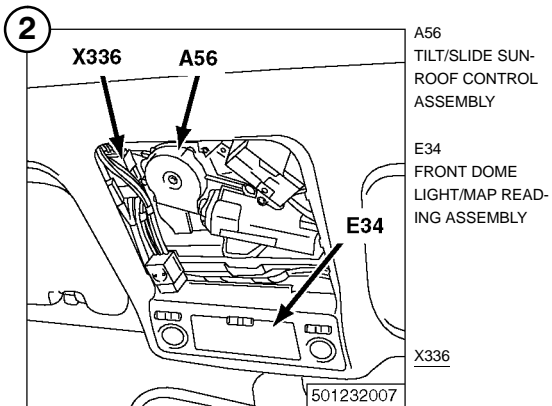
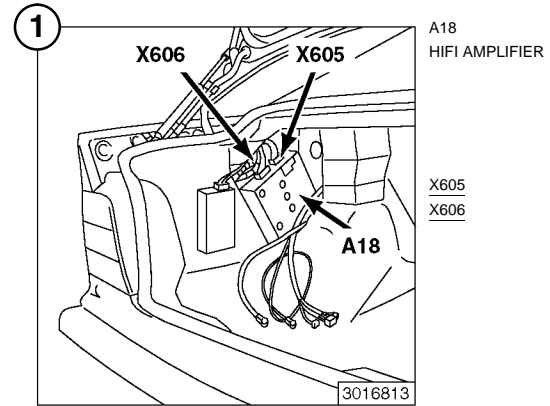
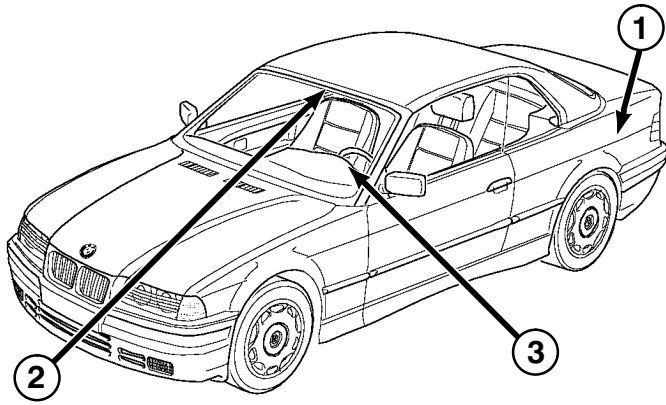
ELECTRICAL CONTROL MODULE LOCATIONS





COMPONENT LOCATION VIEWS

ELECTRICAL CONTROL MODULE LOCATIONS

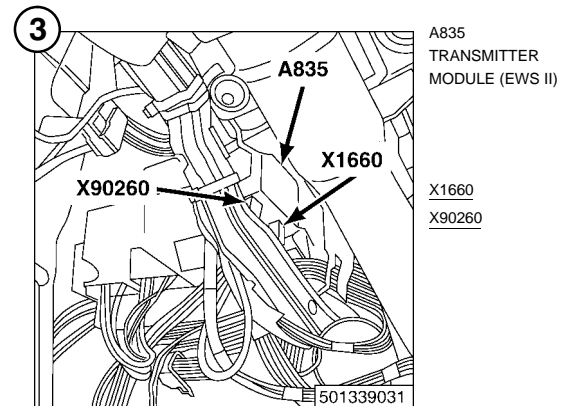


A56
TILT/SLIDE SUN-
ROOF CONTROL
ASSEMBLY

E34
FRONT DOME
LIGHT/MAP READ-
ING ASSEMBLY

X336

501232007



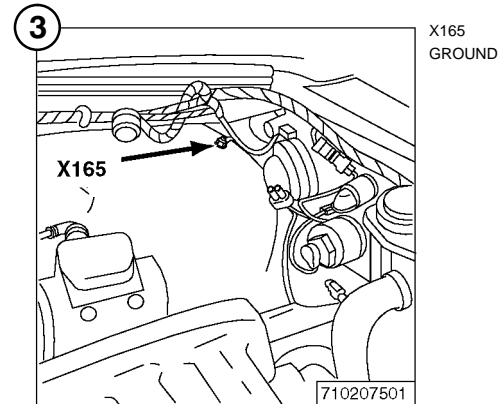
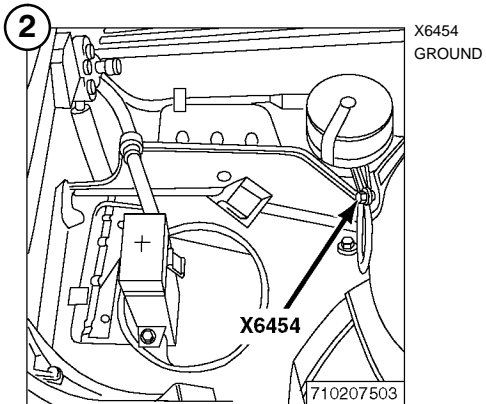
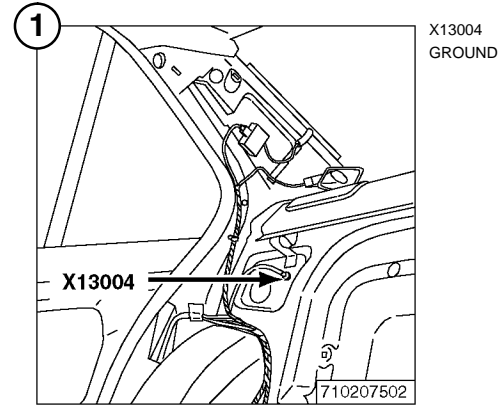
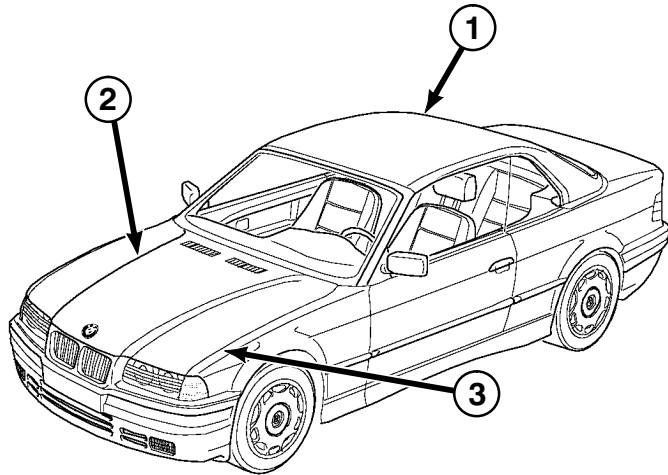
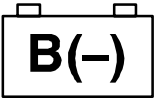
A835
TRANSMITTER
MODULE (EWS II)

X1660
X90260

501339031



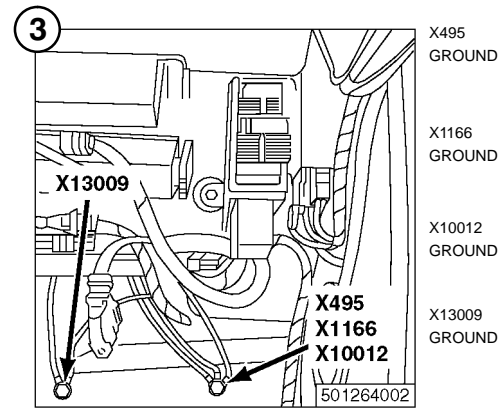
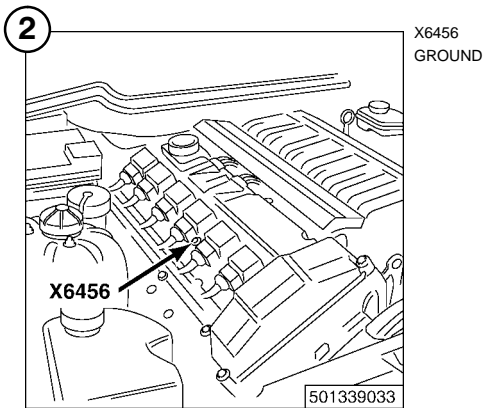
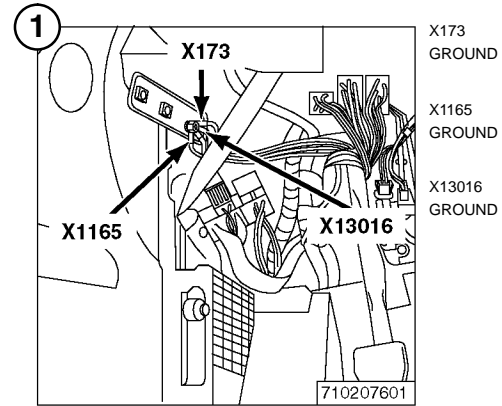
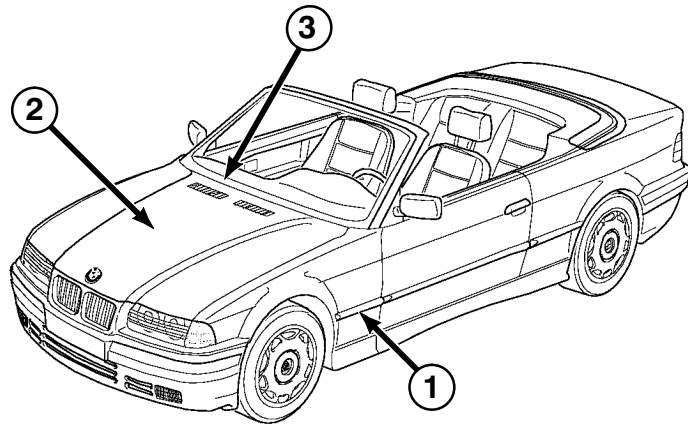
COMPONENT LOCATION VIEWS





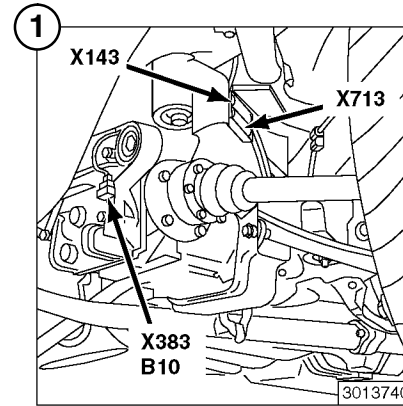
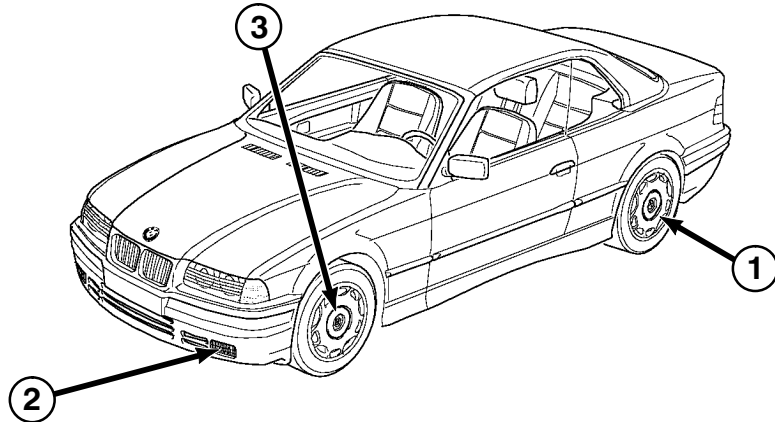
COMPONENT LOCATION VIEWS

B(-)



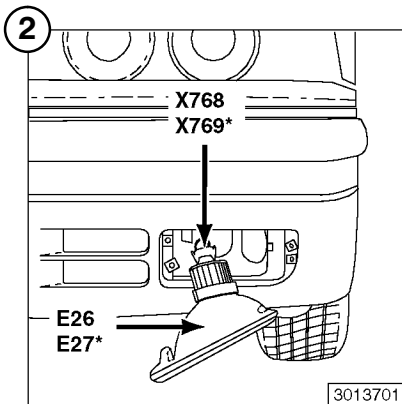


COMPONENT LOCATION VIEWS



B10
VEHICLE SPEED
SENSOR

X143
X383
X713

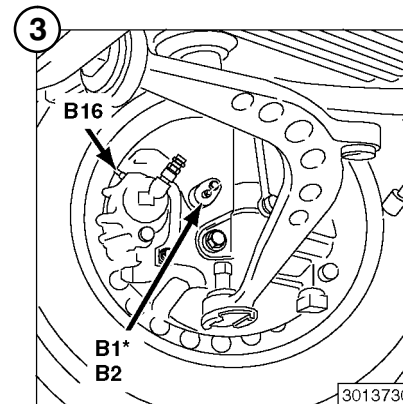


E26
LEFT FOG LIGHT

E27 *
RIGHT FOG LIGHT

X768
X769 *

* RH SIMILAR



B1 *
RIGHT FRONT
SPEED SENSOR -
ABS

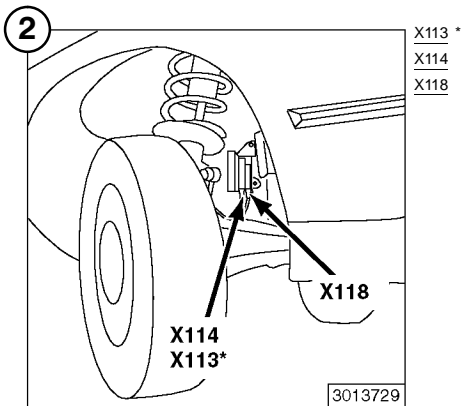
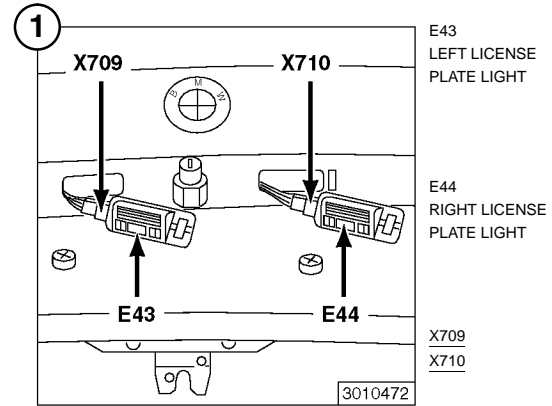
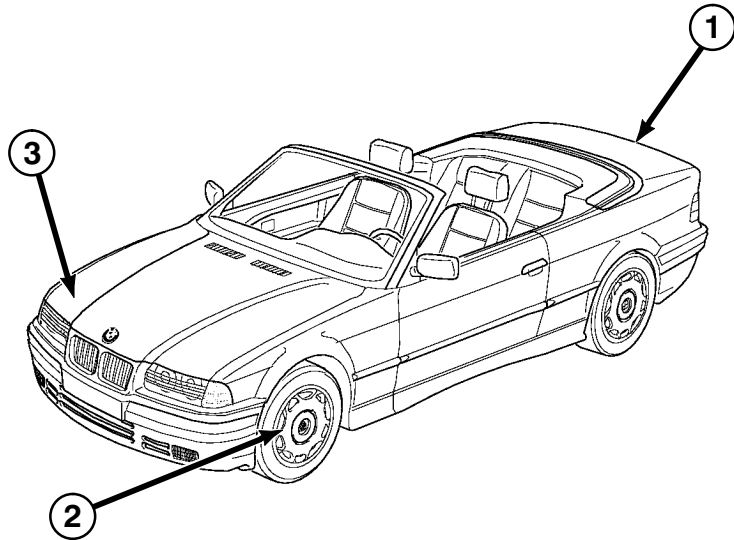
B2
LEFT FRONT
SPEED SENSOR -
ABS

B16
LEFT FRONT
BRAKE PAD
SENSOR

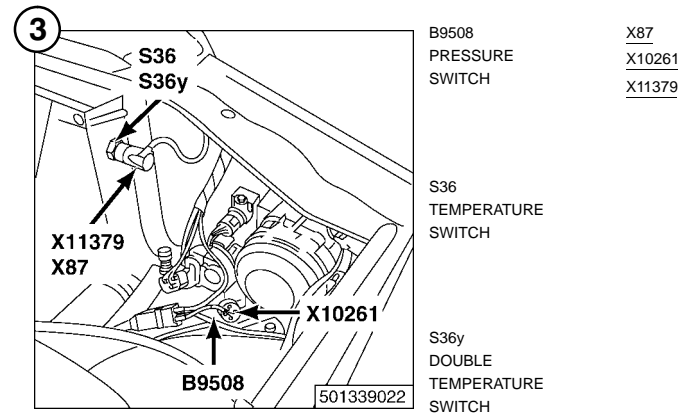
* RH SIMILAR



COMPONENT LOCATION VIEWS

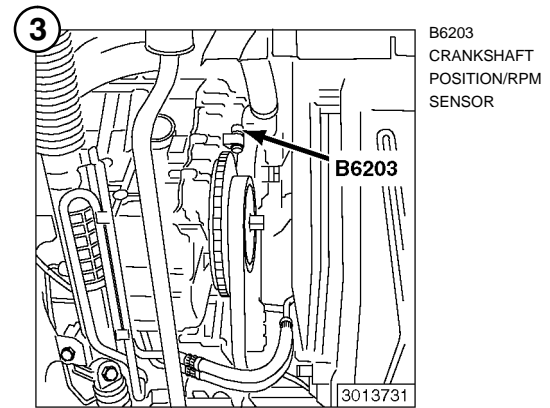
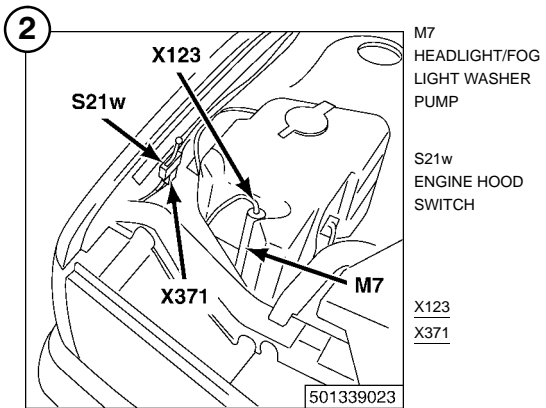
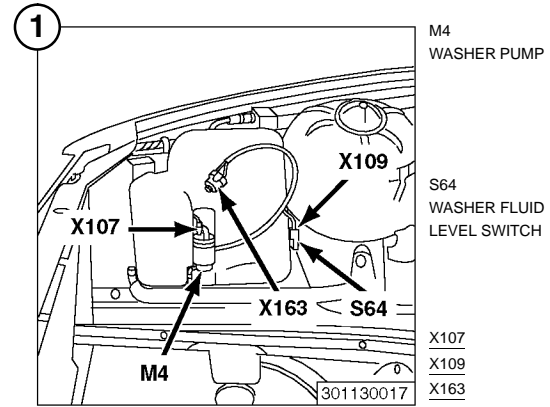
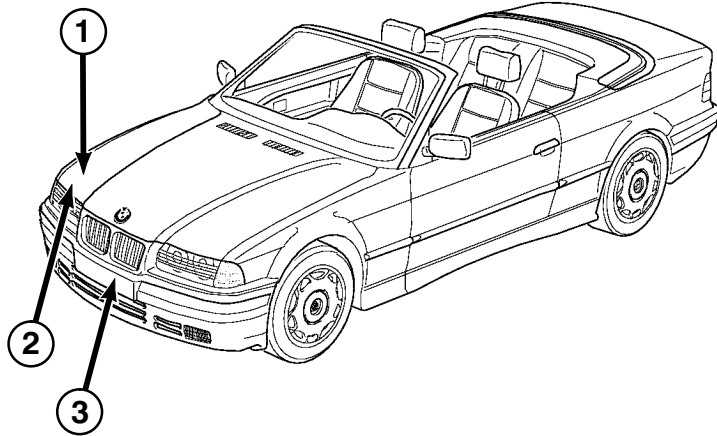


* RH SIMILAR



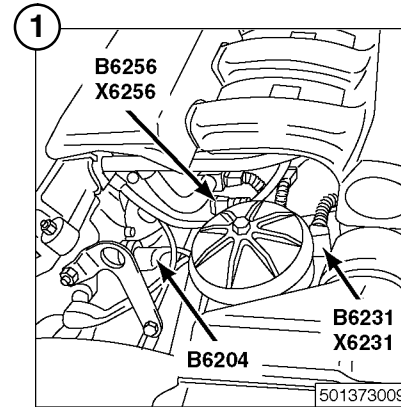
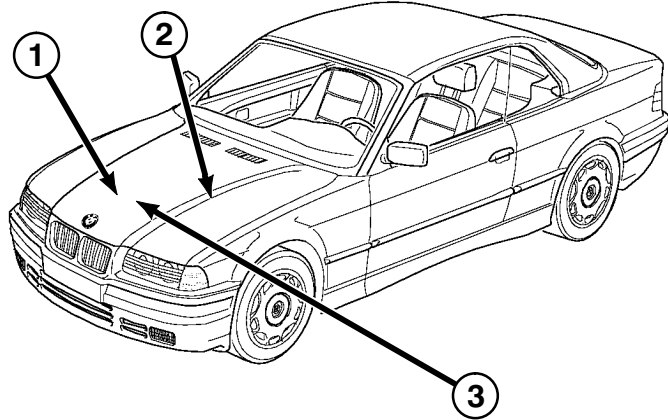


COMPONENT LOCATION VIEWS

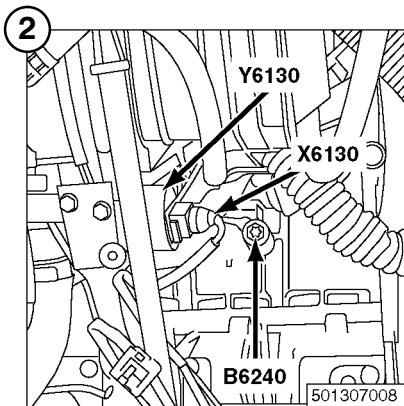




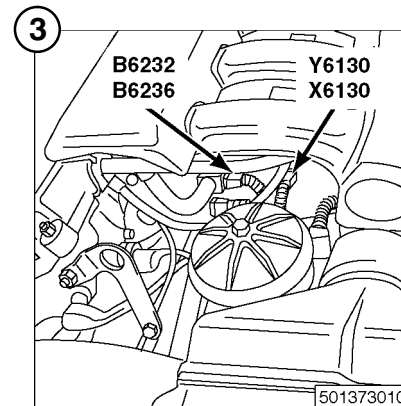
COMPONENT LOCATION VIEWS



- B6204 CAMSHAFT POSITION SENSOR (CYLINDER IDENTIFICATION)
- X6231 X6256
- B6231 OIL PRESSURE SWITCH
- B6256 B6231 DUAL TEMPERATURE SENSOR (COOLANT TEMPERATURE)



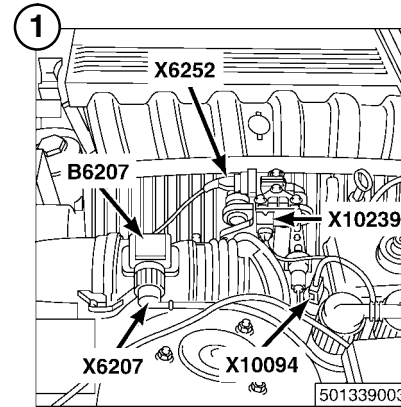
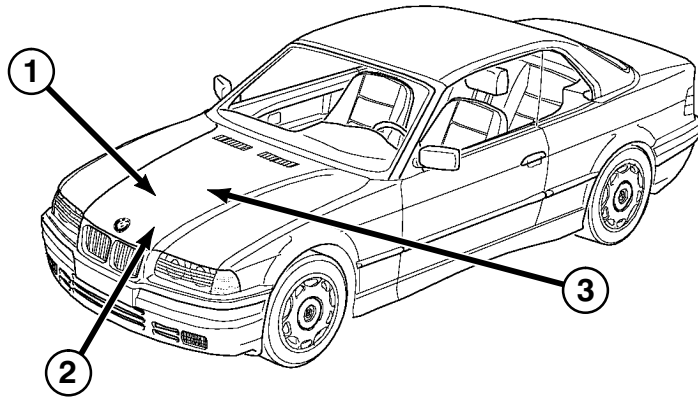
- B6240 KNOCK SENSOR
- Y6130 X6130
- Y6130 IDLE SPEED CONTROL VALVE
- X6130
- B6240



- B6232 X6130 ENGINE COOLANT TEMPERATURE SENSOR
- B6236 B6232 ENGINE COOLANT TEMPERATURE SENSOR
- Y6130 X6130
- Y6130 IDLE SPEED CONTROL VALVE



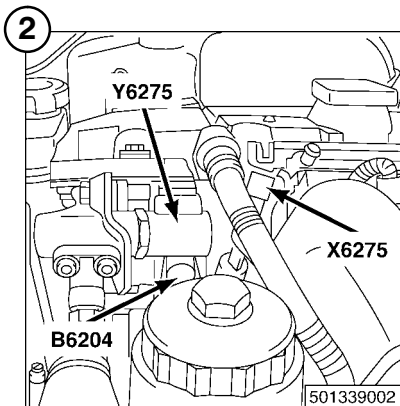
COMPONENT LOCATION VIEWS



B6207
HOT FILM AIR
MASS METER

X6207
X6252
X10094
X10239

501339003

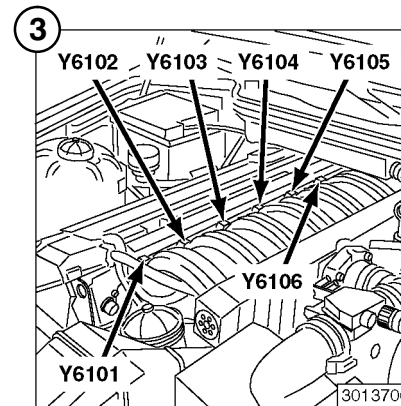


B6204
CAMSHAFT
POSITION SENSOR
(CYLINDER
IDENTIFICATION)

Y6275
VARIABLE CAM-
SHAFT CONTROL
VALVE 1

X6275

501339002



Y6101
CYL. 1 FUEL
INJECTION VALVE

Y6104
CYL. 4 FUEL
INJECTION VALVE

Y6102
CYL. 2 FUEL
INJECTION VALVE

Y6105
CYL. 5 FUEL
INJECTION VALVE

Y6103
CYL. 3 FUEL
INJECTION VALVE

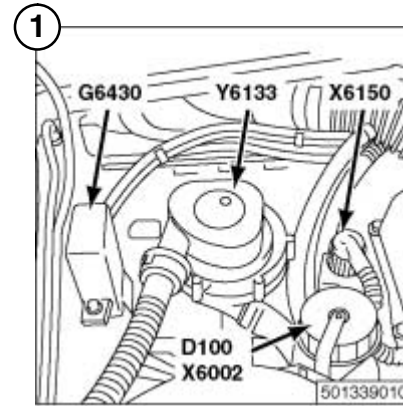
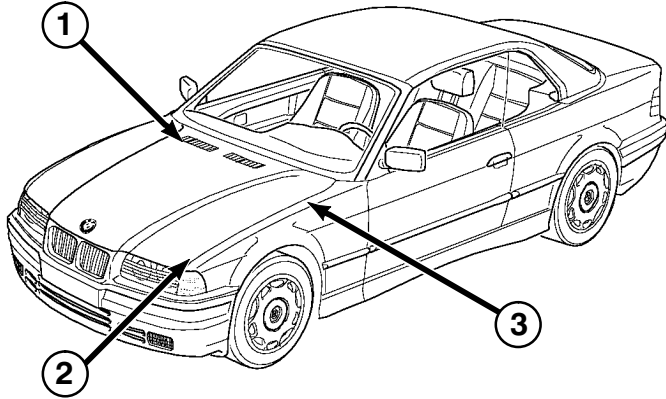
Y6106
CYL. 6 FUEL
INJECTION VALVE

3013706



COMPONENT LOCATION VIEWS

B(+)



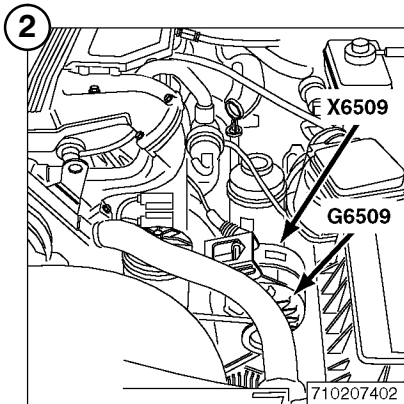
D100
DATA LINK
CONNECTOR

X6002
X6150

G6430
B+ JUMP START
JUNCTION POINT

Y6133
AIR PUMP

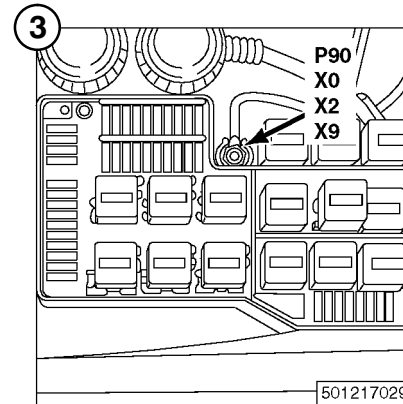
501339010



G6509
GENERATOR

X6509
CABLE SOCKET AL-
TERNATOR B+

710207402



P90
FRONT POWER
DISTRIBUTION BOX

X0
B+ JUNCTION
POINT

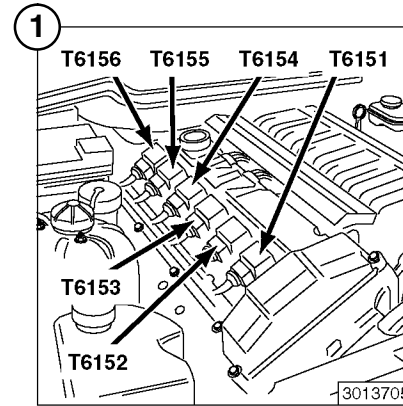
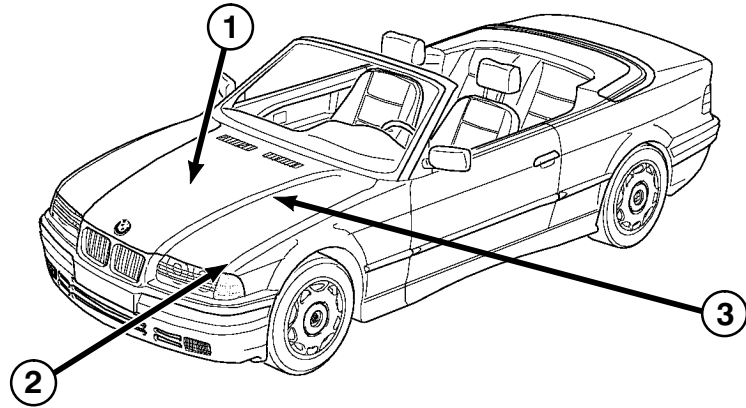
X2
BATTERY B+
START POINT

X9
B+ JUNCTION
POINT

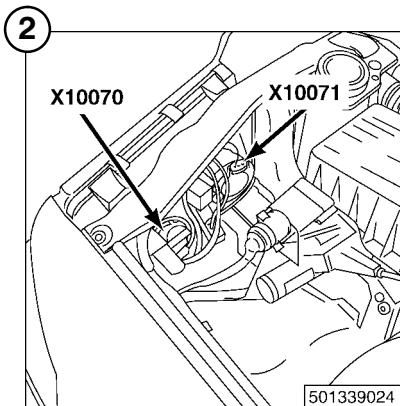
501217029



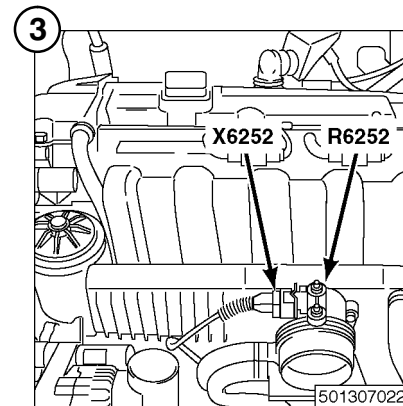
COMPONENT LOCATION VIEWS



- | | |
|----------------------------------|----------------------------------|
| T6151
CYL. 1 IGNITION
COIL | T6154
CYL. 4 IGNITION
COIL |
| T6152
CYL. 2 IGNITION
COIL | T6155
CYL. 5 IGNITION
COIL |
| T6153
CYL. 3 IGNITION
COIL | T6156
CYL. 6 IGNITION
COIL |



- X10070
- X10071

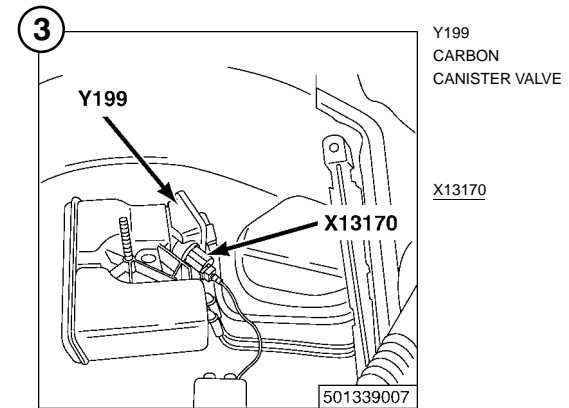
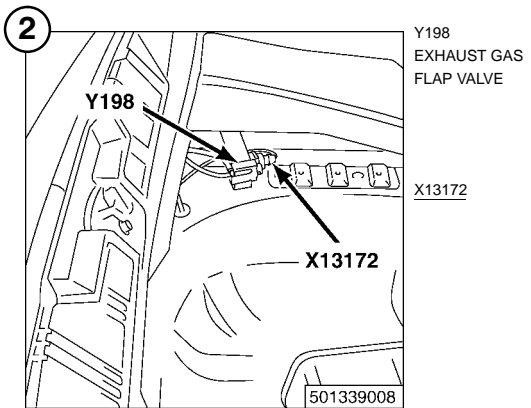
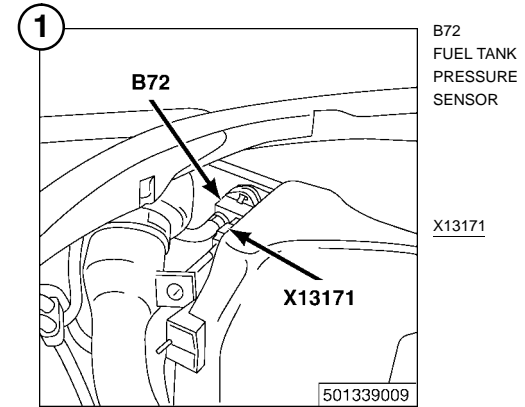
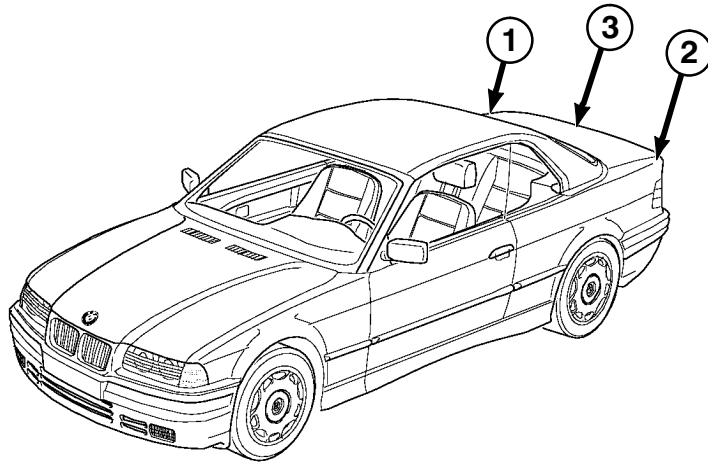


- R6252
THROTTLE
POSITION SENSOR

X6252

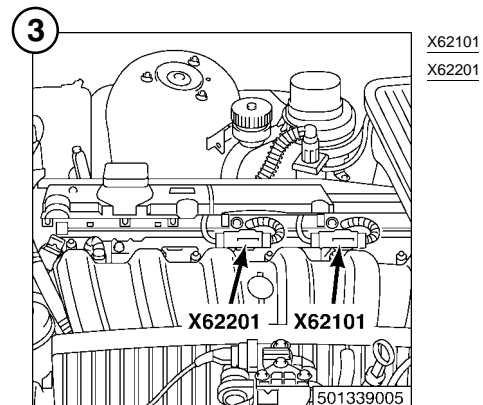
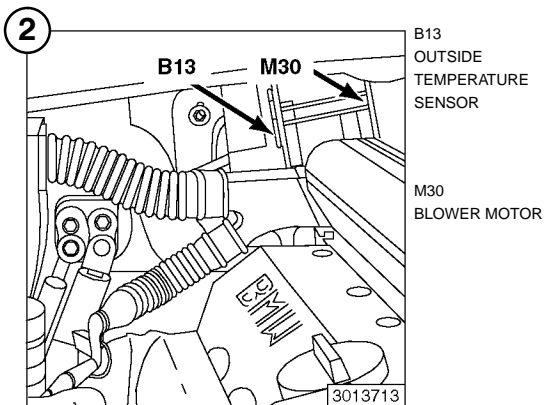
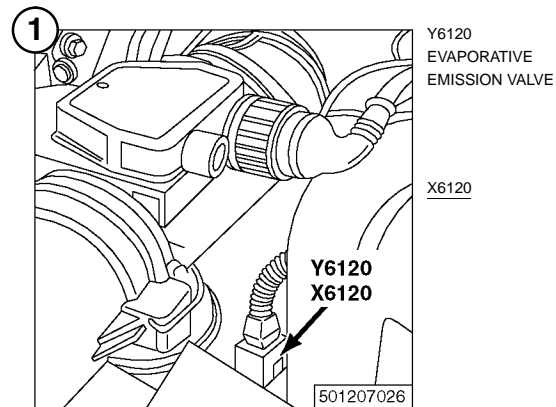
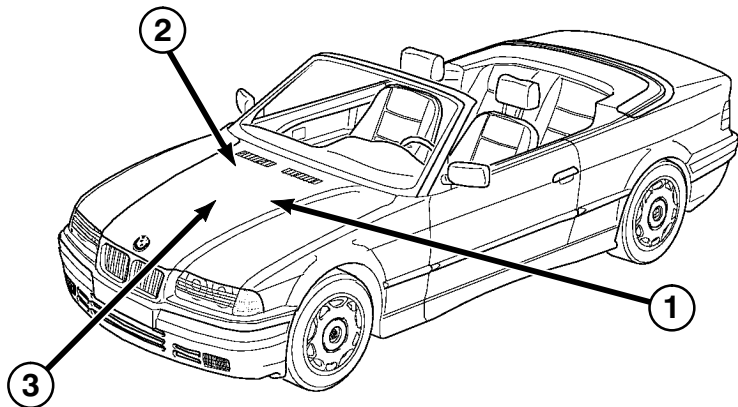


COMPONENT LOCATION VIEWS



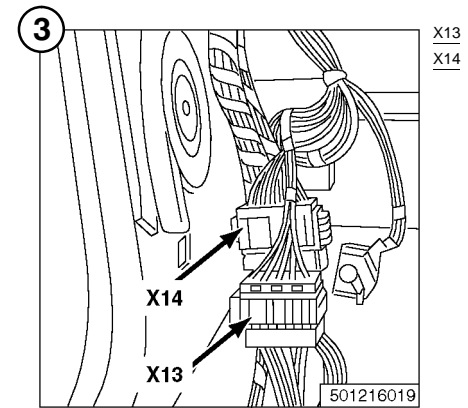
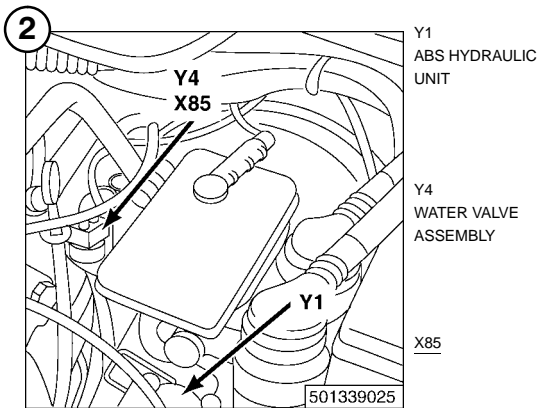
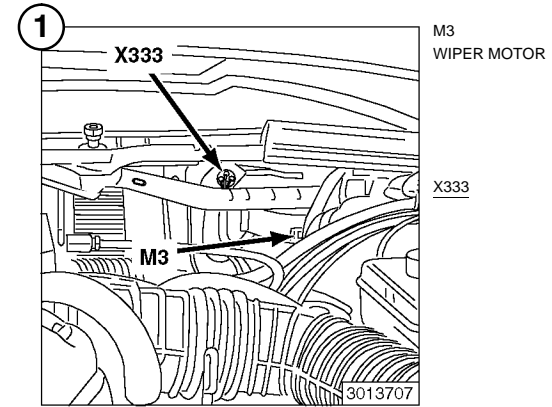
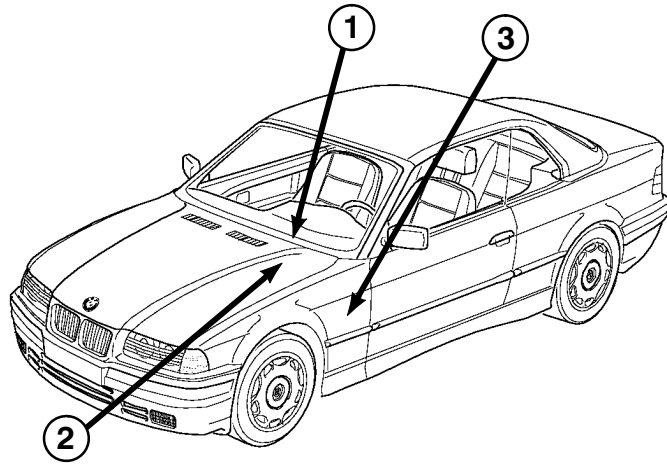


COMPONENT LOCATION VIEWS



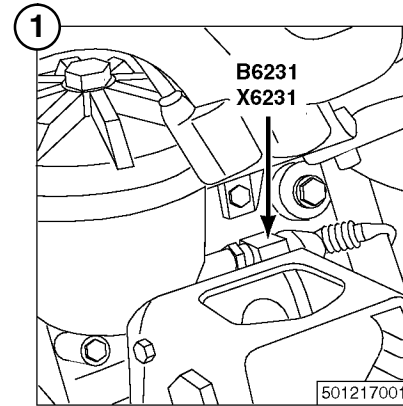
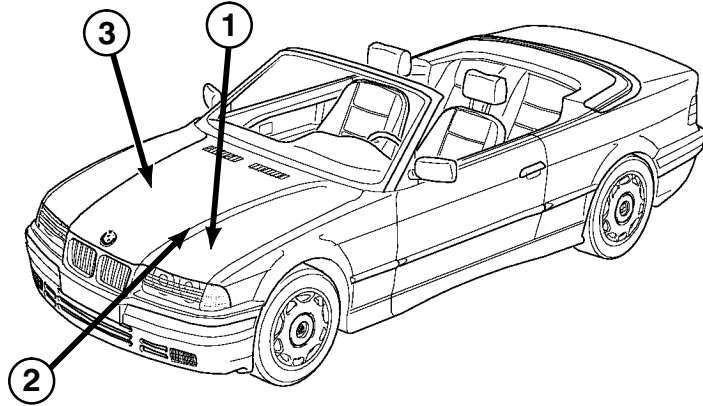


COMPONENT LOCATION VIEWS





COMPONENT LOCATION VIEWS

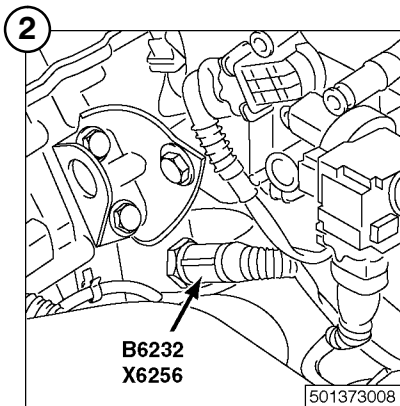


B6231
OIL PRESSURE
SWITCH

X6231

501217001

318i



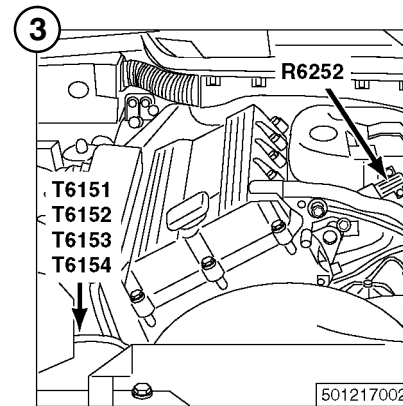
B6232
ENGINE COOLANT
TEMPERATURE
SENSOR

X6256

B6232
X6256

501373008

318i



R6252
THROTTLE
POSITION SENSOR

T6153
CYL. 3 IGNITION
COIL

T6151
T6152
T6153
T6154

T6151
CYL. 1 IGNITION
COIL

T6154
CYL. 4 IGNITION
COIL

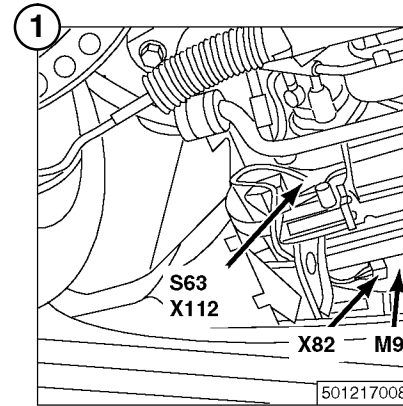
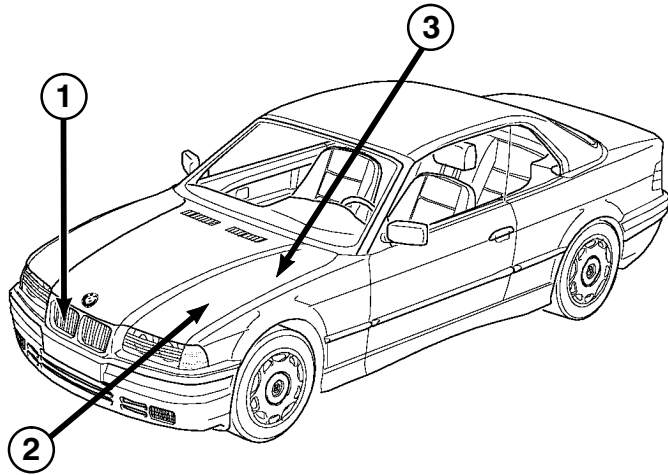
T6152
CYL. 2 IGNITION
COIL

501217002

318i

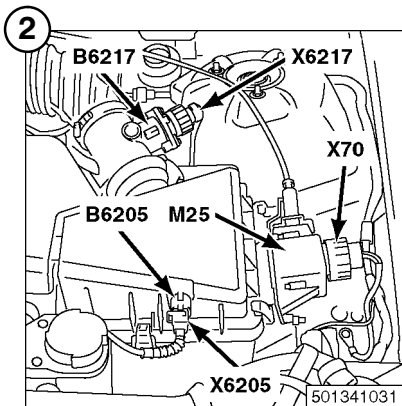


COMPONENT LOCATION VIEWS



- M9
AUXILIARY FAN
MOTOR
- S63
ENGINE COOLANT
LEVEL SWITCH
- X82
X112

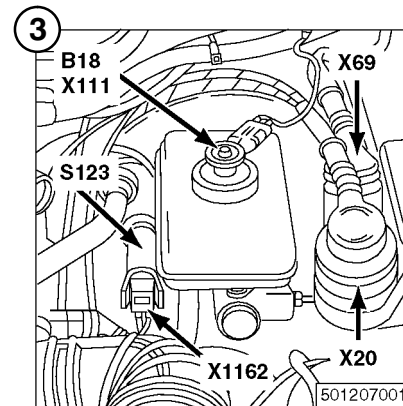
318i



- B6217
INTAKE AIR
TEMPERATURE
SENSOR
- B6217
HOT FILM AIR
MASS METER
- M25
CRUISE CONTROL
ACTUATOR
(TEMPOMAT)

- X70
- X6205
- X6217

501341031

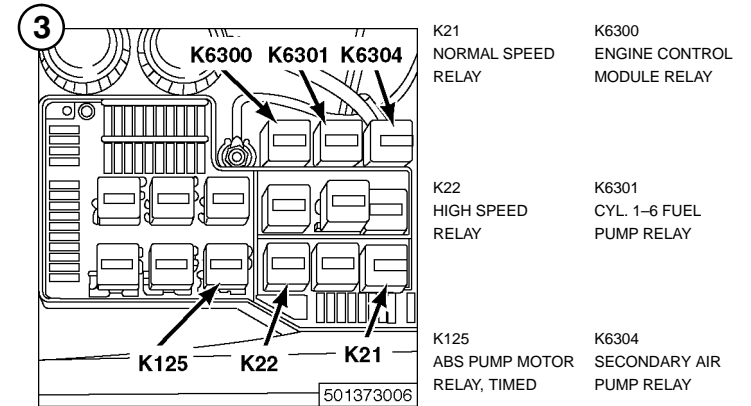
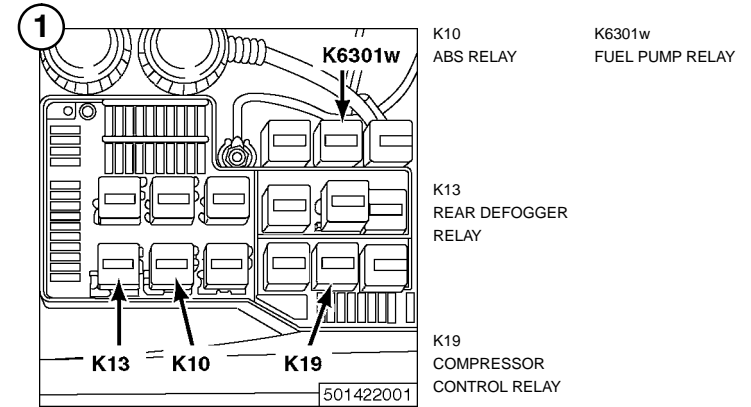
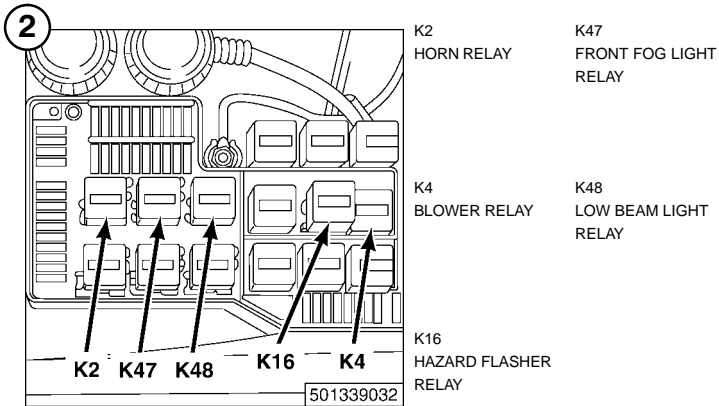
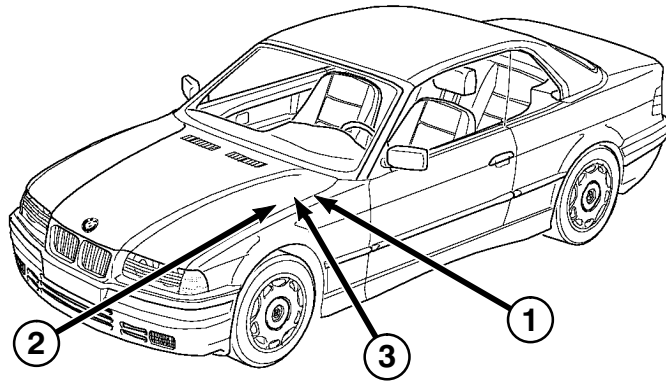


- B18
BRAKE FLUID
LEVEL SWITCH
- S123
ABS PEDAL TRAV-
EL SENSOR
- X20
X69
X111
X1162

501207001

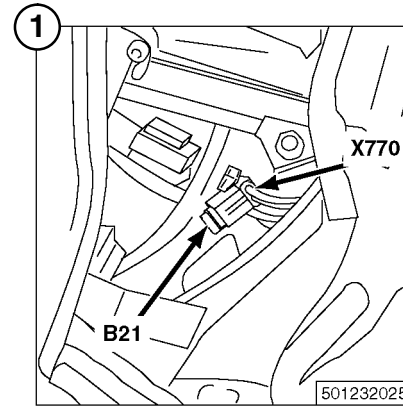
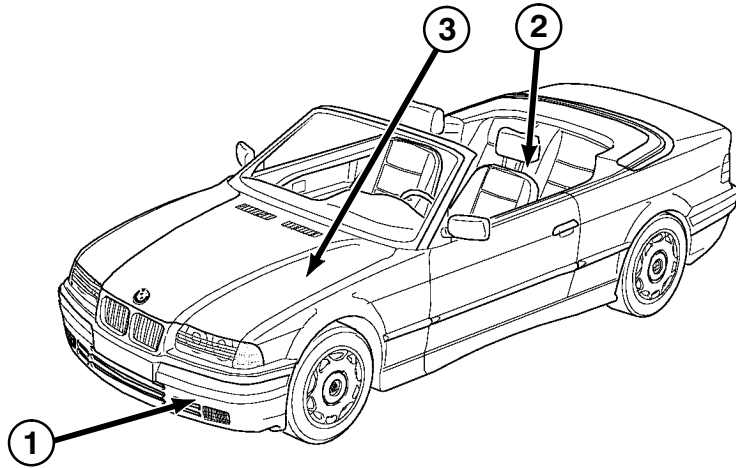


COMPONENT LOCATION VIEWS





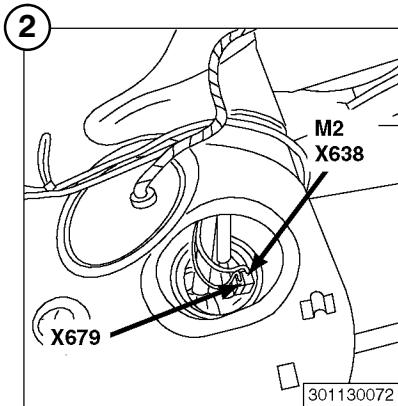
COMPONENT LOCATION VIEWS



B21
ON-BOARD
COMPUTER
TEMPERATURE
SENSOR

X770

501232025



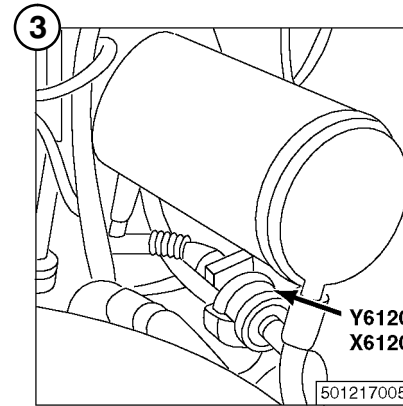
M2
FUEL PUMP

M2
X638

X638
X679

X679

301130072



Y6120
EVAPORATIVE
EMISSION VALVE

X6120

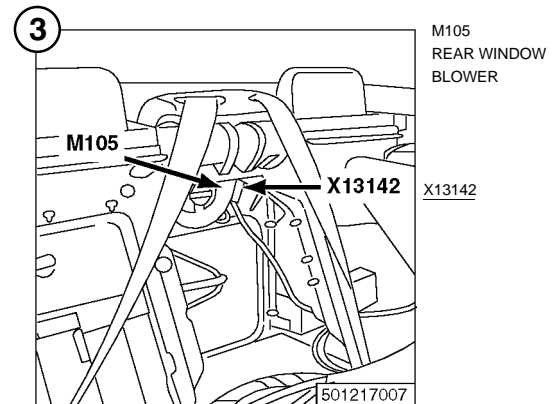
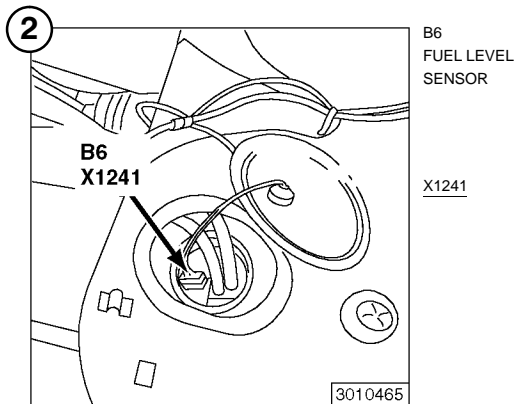
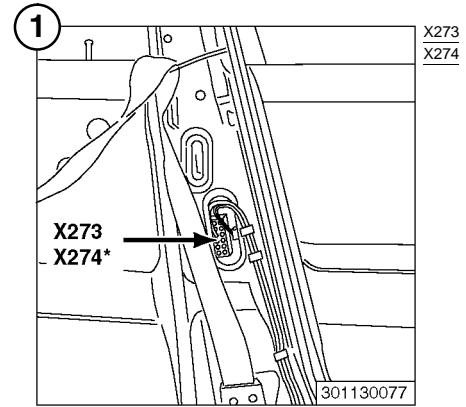
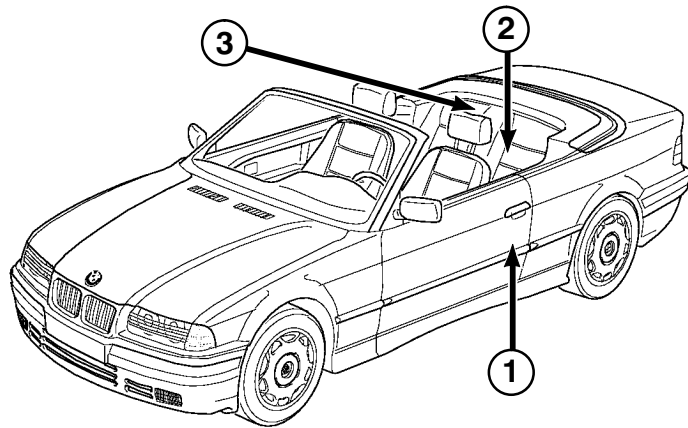
Y6120
X6120

501217005

318i

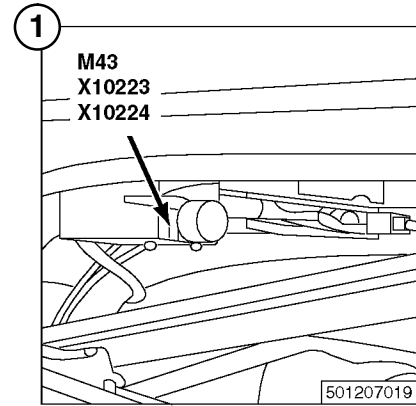
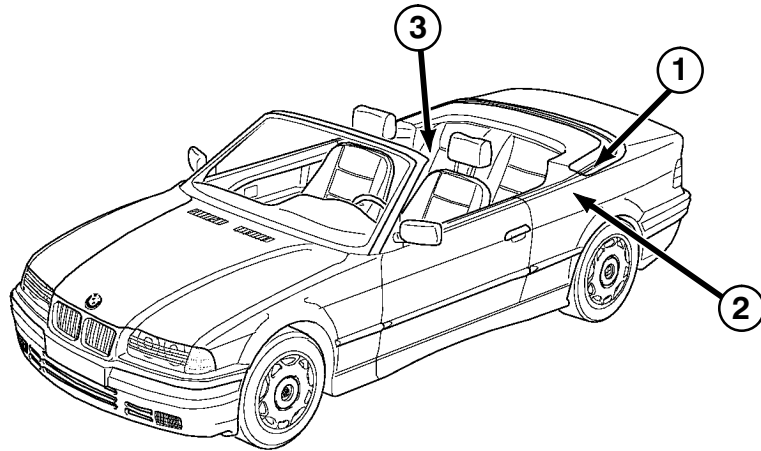


COMPONENT LOCATION VIEWS





COMPONENT LOCATION VIEWS

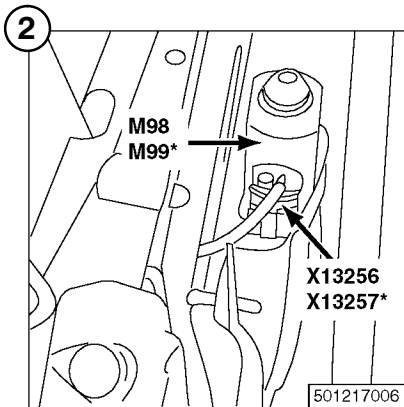


M43
X10223
X10224

M43
CONVERTIBLE TOP
STORAGE LID
LOCK MOTOR

X10223
X10224

501207019



M98
M99*

M98
LEFT REAR
WINDOW MOTOR

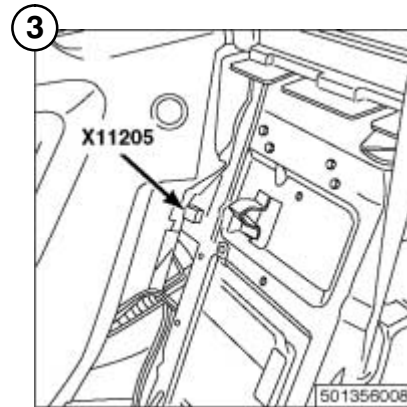
M99 *
RIGHT REAR
WINDOW MOTOR

X13256
X13257*

X13256
X13257 *

501217006

* RH SIMILAR



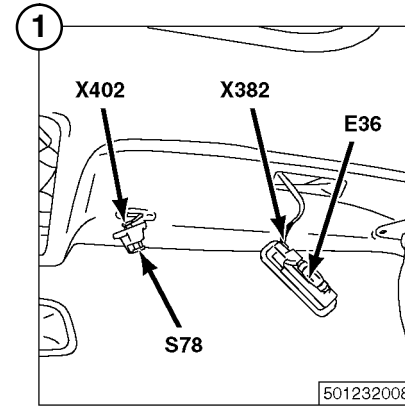
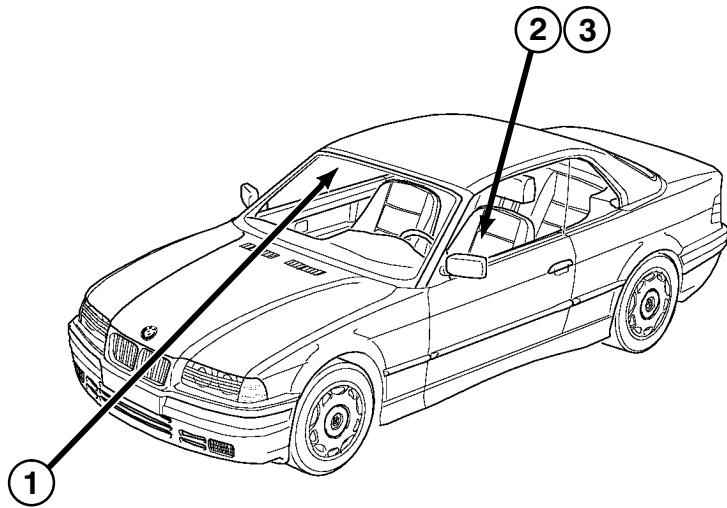
X11205

X11205

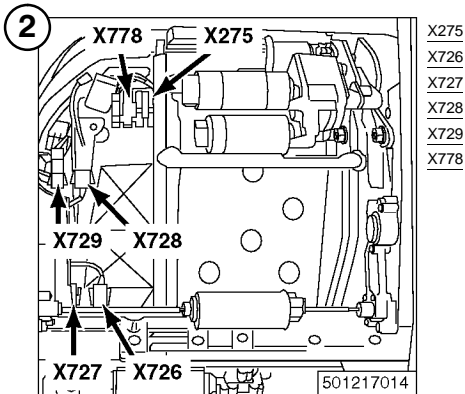
501356008



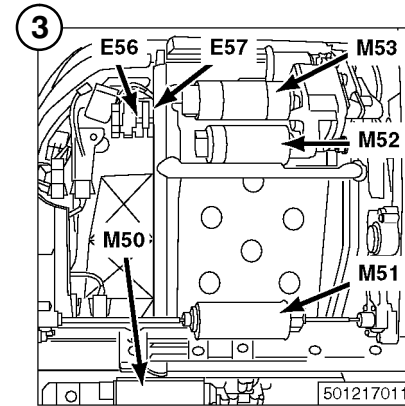
COMPONENT LOCATION VIEWS



- E36 PASSENGER'S MAKE-UP MIRROR LIGHT
 - S78 PASSENGER'S MAKE-UP MIRROR SWITCH
 - X382
 - X402
- 501232008



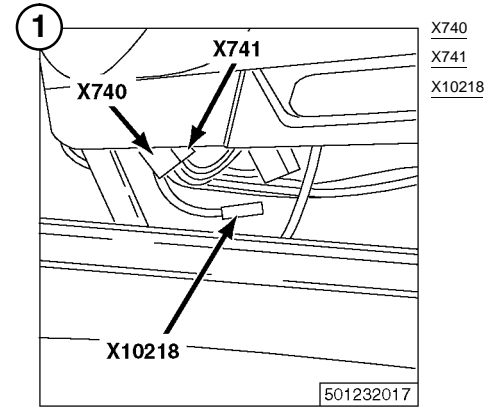
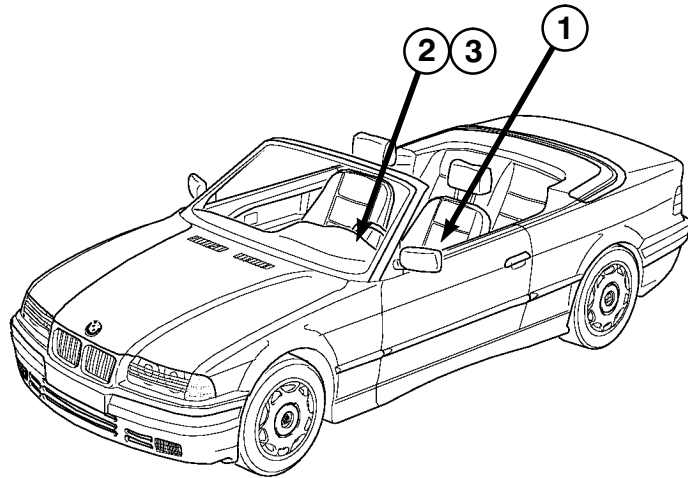
- X275
 - X726
 - X727
 - X728
 - X729
 - X778
- 501217014



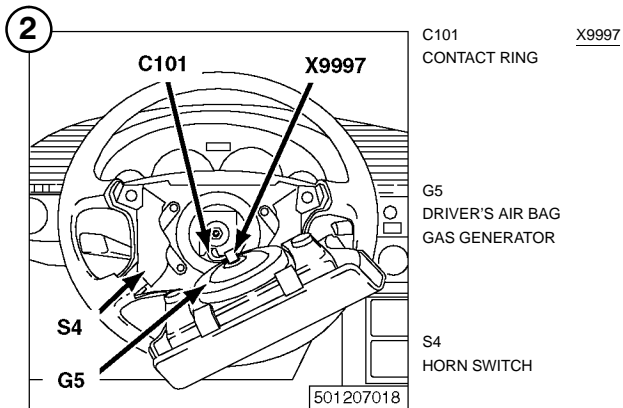
- E56 DRIVER'S SEAT-BACK HEATER
 - E57 DRIVER'S SEAT HEATER
 - M50 DRIVER'S SEAT CUSHION TILT MOTOR
 - M51 DRIVER'S SEAT MOVEMENT MOTOR
 - M52 DRIVER'S SEAT HEIGHT MOTOR
 - M53 DRIVER'S SEAT-BACK RECLINER MOTOR
- 501217011



COMPONENT LOCATION VIEWS



X740
X741
X10218

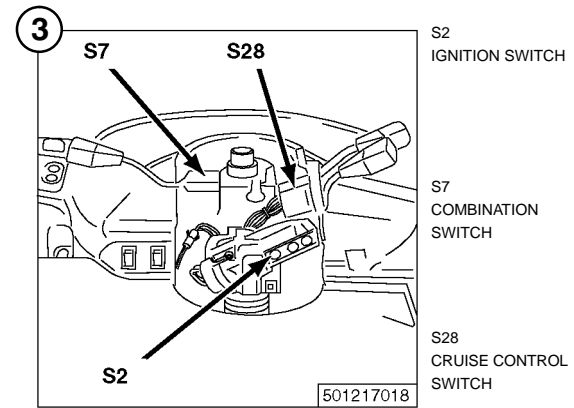


C101
CONTACT RING

X9997

G5
DRIVER'S AIR BAG
GAS GENERATOR

S4
HORN SWITCH



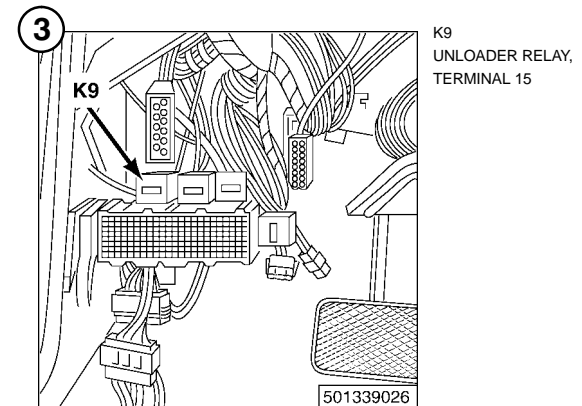
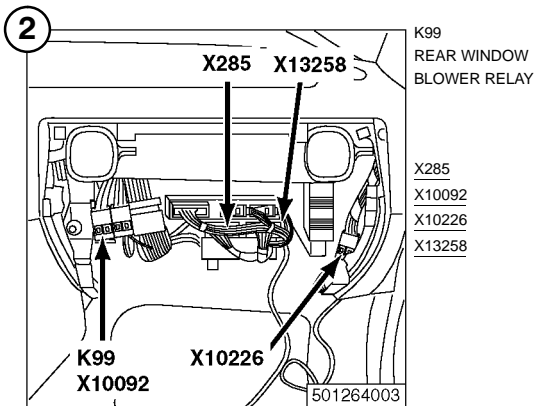
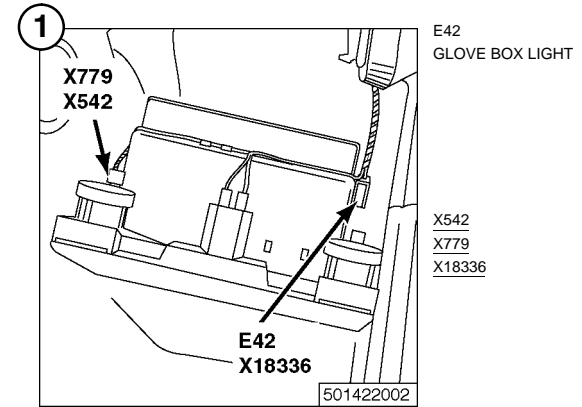
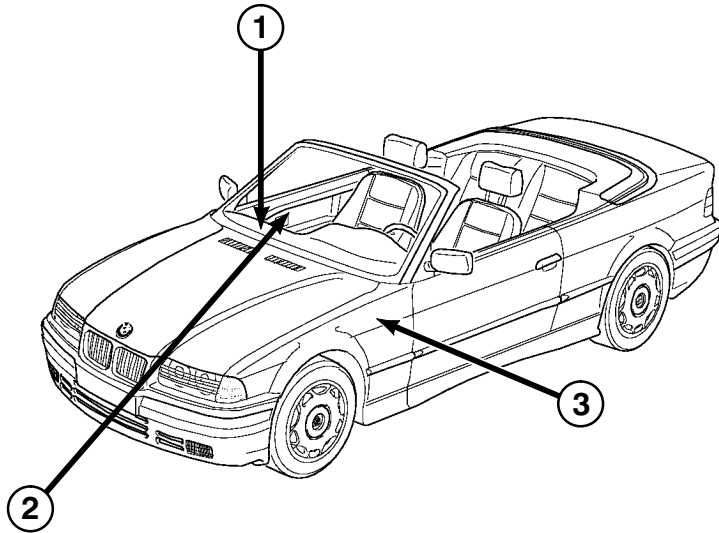
S2
IGNITION SWITCH

S7
COMBINATION
SWITCH

S28
CRUISE CONTROL
SWITCH

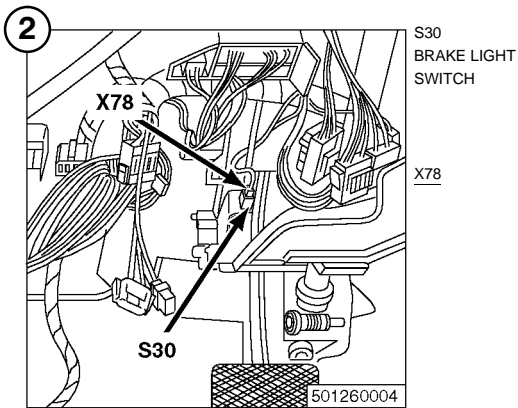
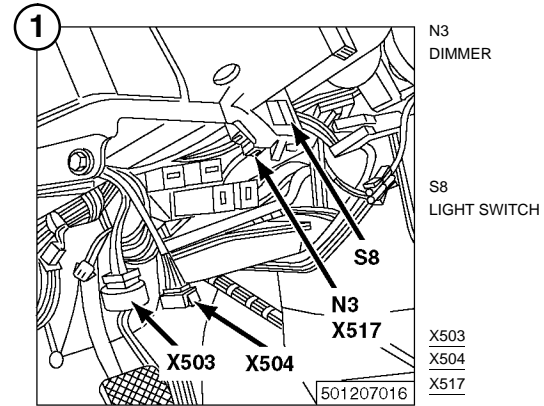
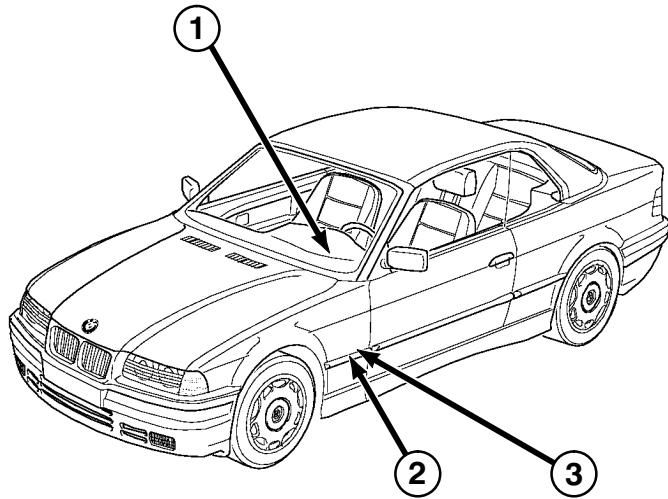


COMPONENT LOCATION VIEWS

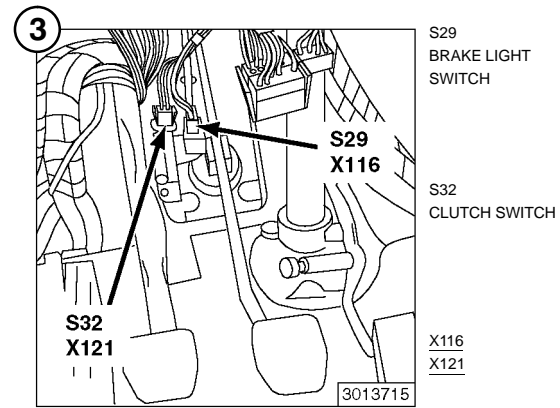




COMPONENT LOCATION VIEWS



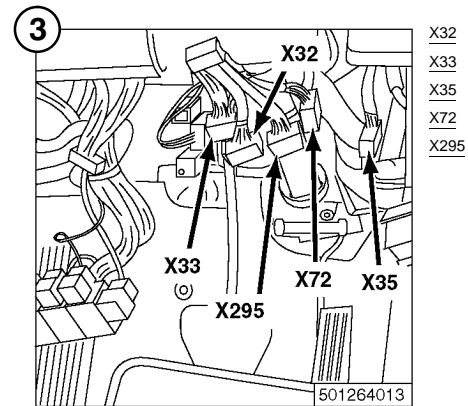
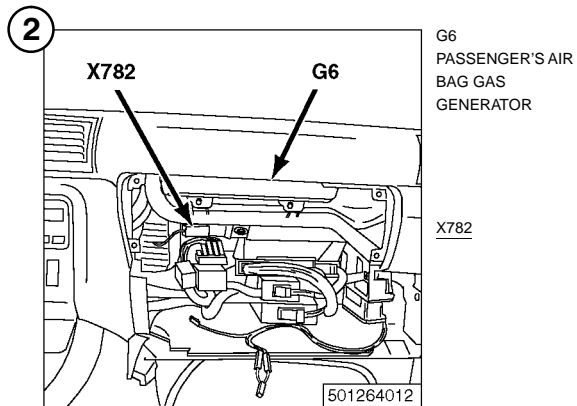
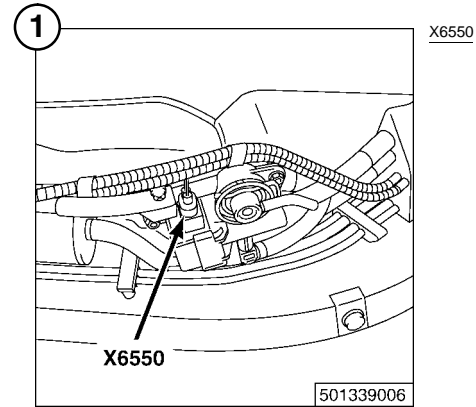
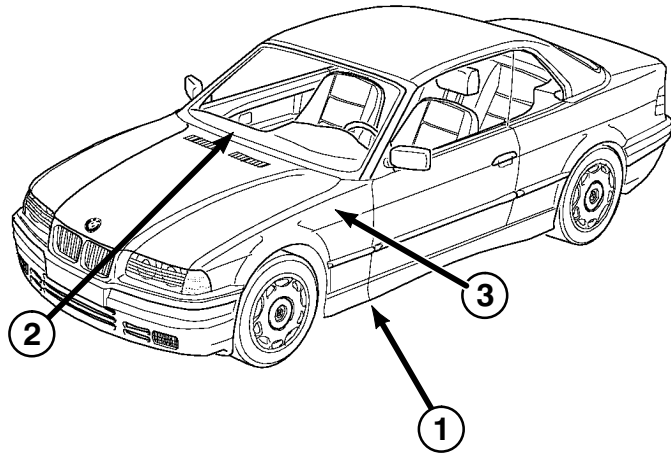
AUTOMATIC



MANUAL

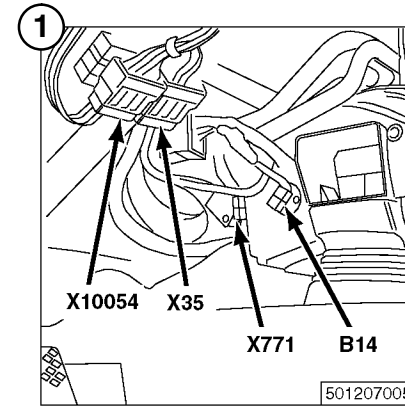
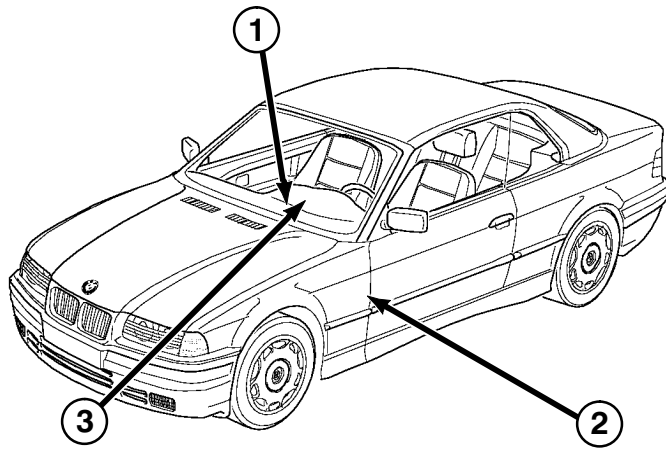


COMPONENT LOCATION VIEWS



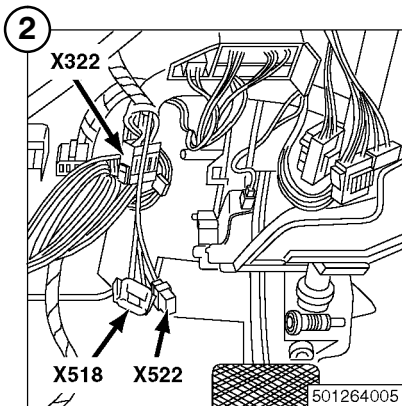


COMPONENT LOCATION VIEWS

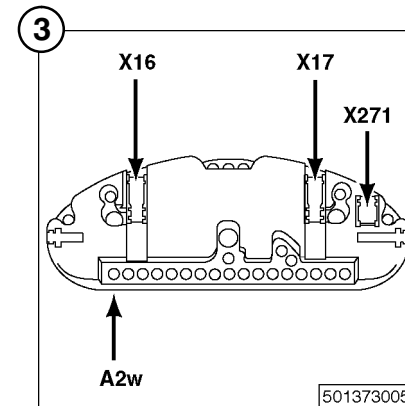


B14
EVAPORATOR
TEMPERATURE
SENSOR

X35
X771
X10054



X322
X518
X522

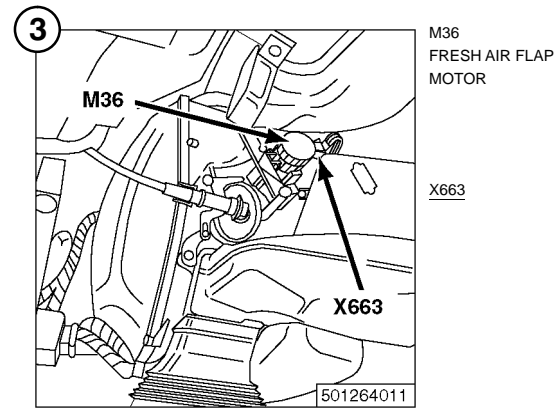
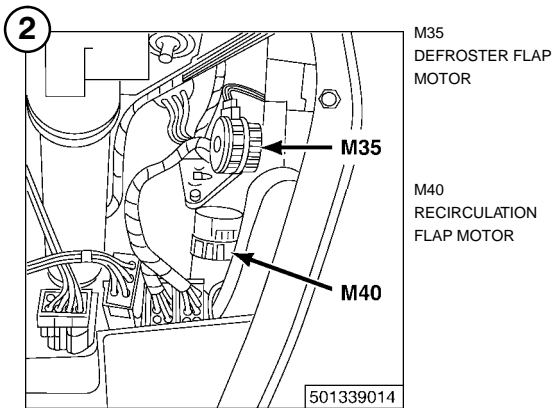
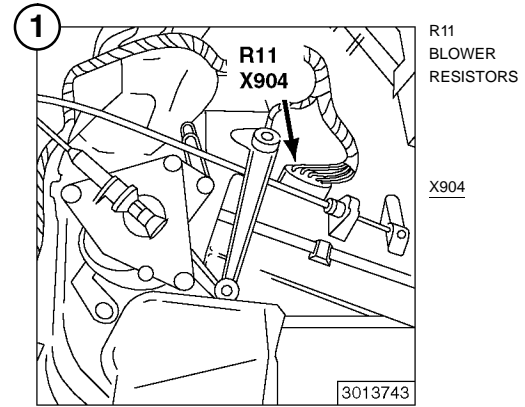
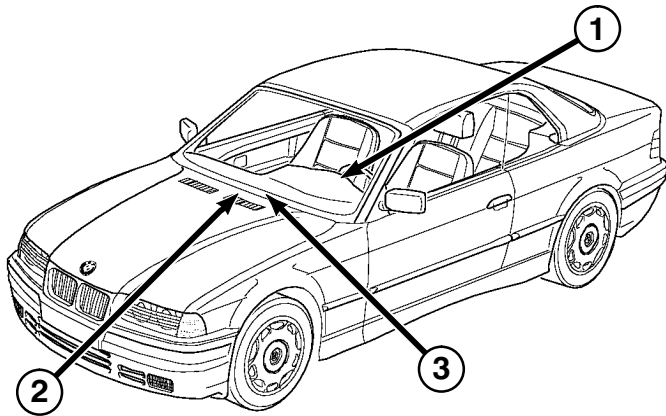


A2w
INSTRUMENT
CLUSTER

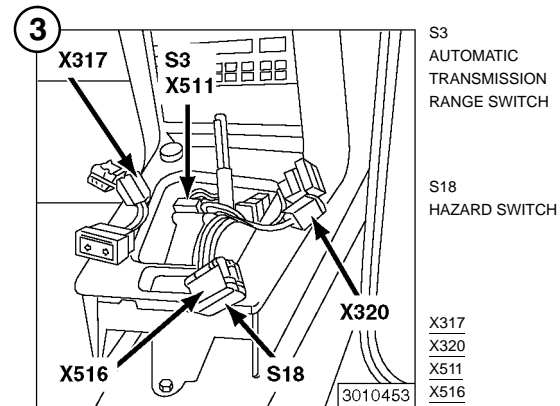
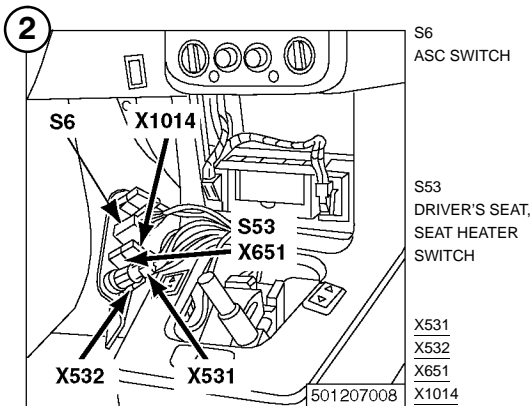
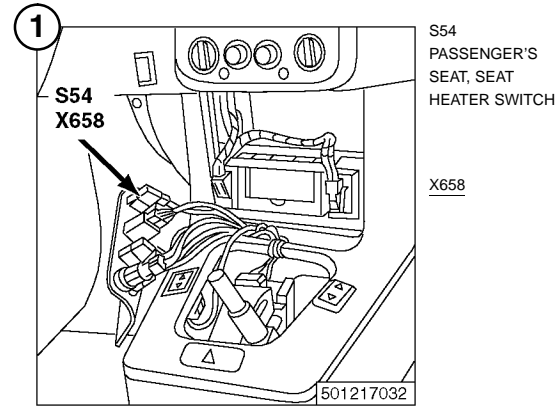
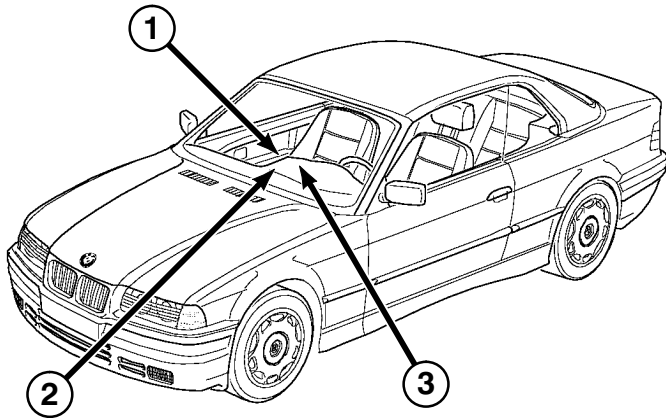
X16
X17
X271



COMPONENT LOCATION VIEWS

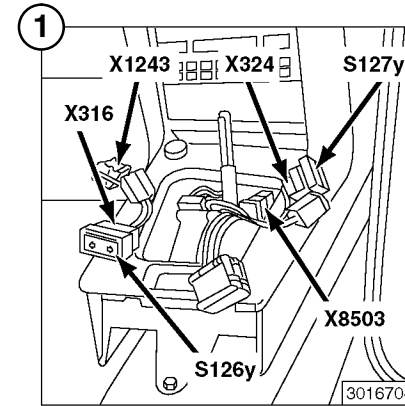
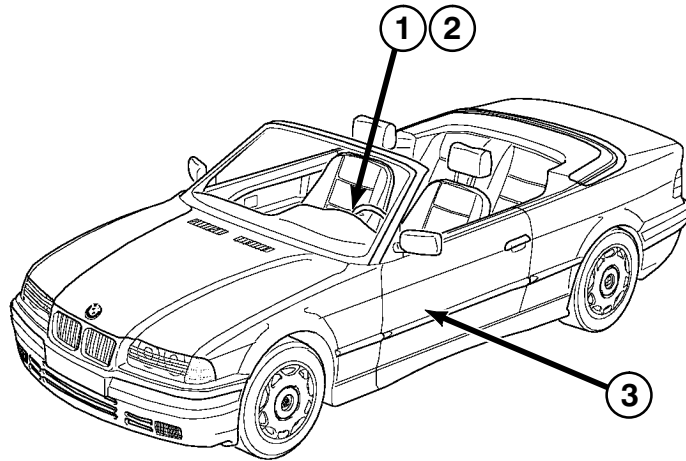


COMPONENT LOCATION VIEWS





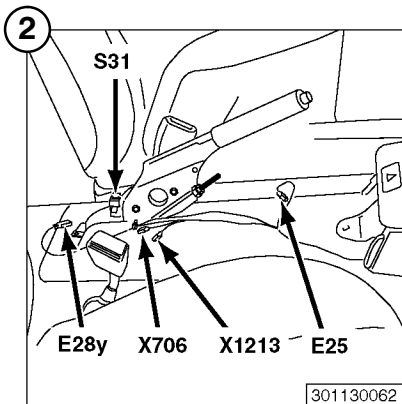
COMPONENT LOCATION VIEWS



S126y
DRIVER'S POWER
WINDOW SWITCH

S127y
PASSENGER'S
POWER WINDOW
SWITCH

X316
X324
X1243
X8503

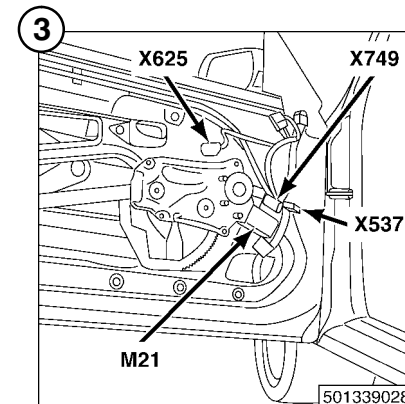


E25
FRONT ASHTRAY
LIGHT

X706
X1213

E28y
REAR ASHTRAY
LIGHT

S31
PARK BRAKE
SWITCH

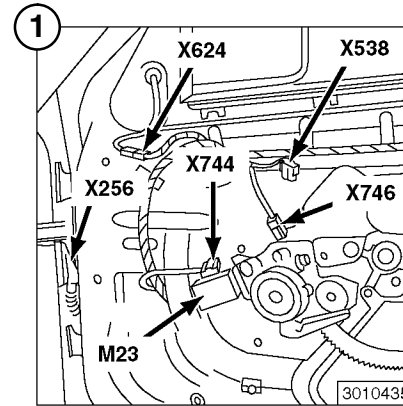
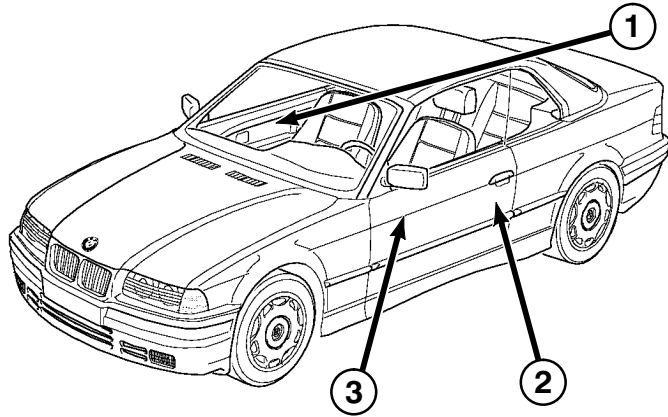


M21
DRIVER'S WINDOW
MOTOR

X537
X625
X749



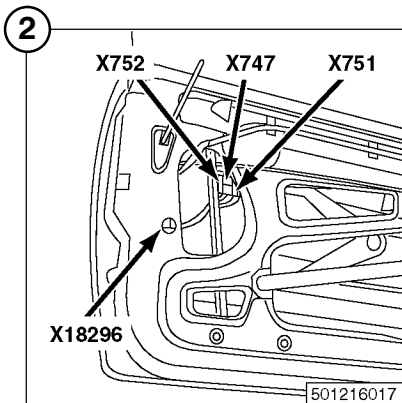
COMPONENT LOCATION VIEWS



M23
PASSENGER'S
WINDOW MOTOR

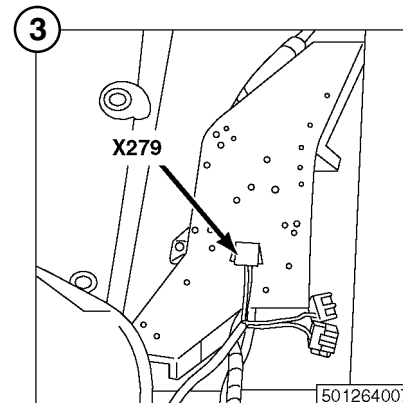
X256
X538
X624
X744
X746

3010435



X747
X751
X752
X18296

501216017

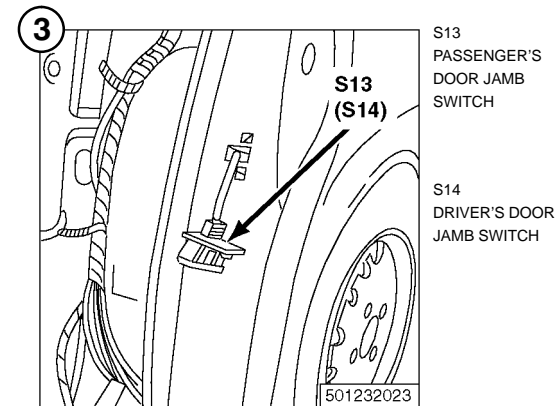
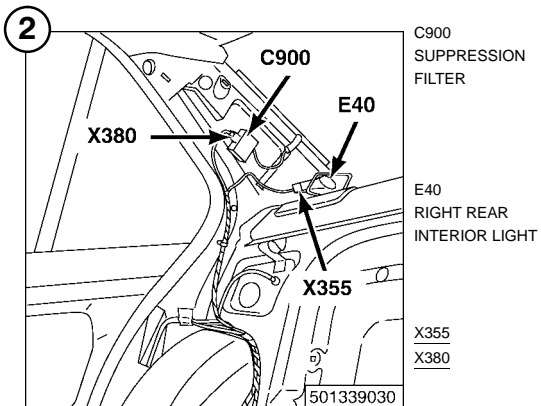
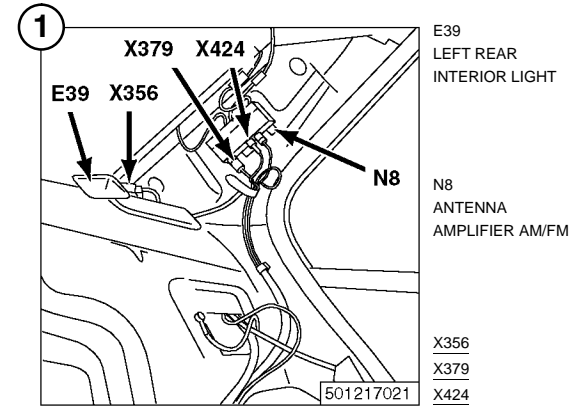
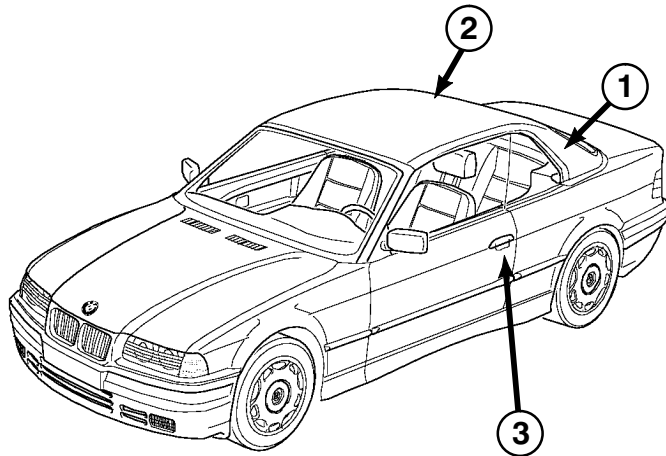


X279

501264007

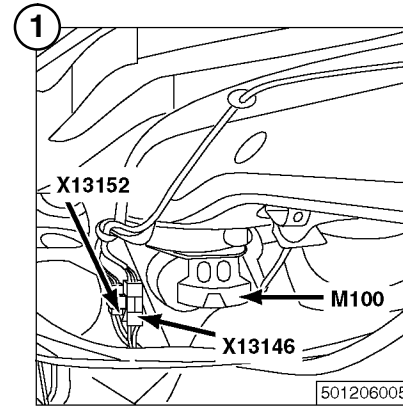
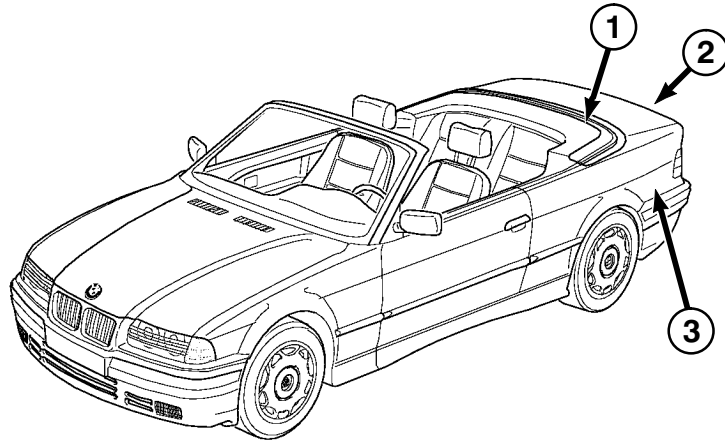


COMPONENT LOCATION VIEWS





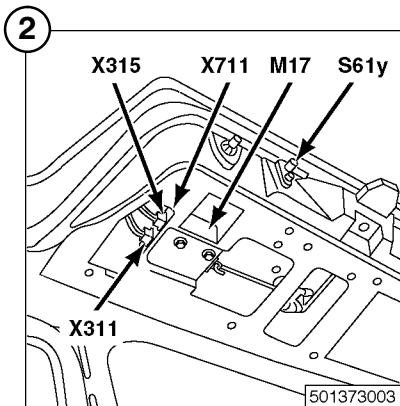
COMPONENT LOCATION VIEWS



M100
CONVERTIBLE TOP
STORAGE LID
MOTOR

X13146
X13152

501206005

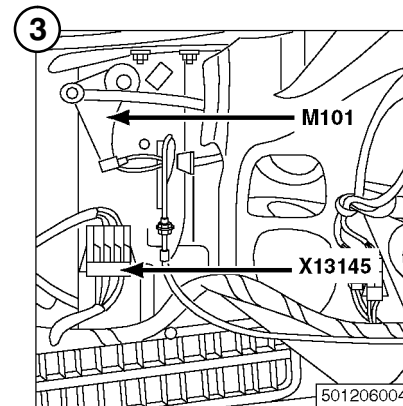


M17
LUGGAGE
COMPARTMENT
LOCK MOTOR

S61y
LUGGAGE
COMPARTMENT
LIGHT SWITCH

X311
X315
X711

501373003



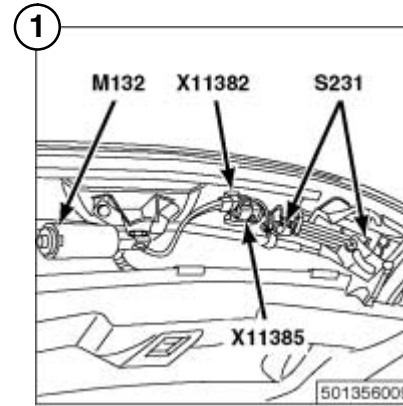
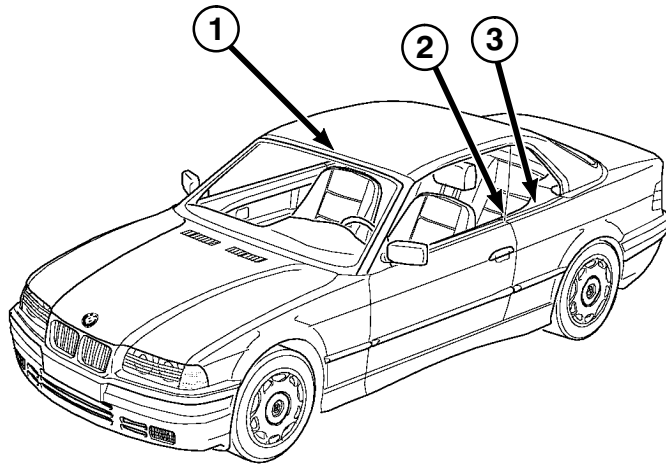
M101
CONVERTIBLE TOP
MOTOR

X13145

501206004



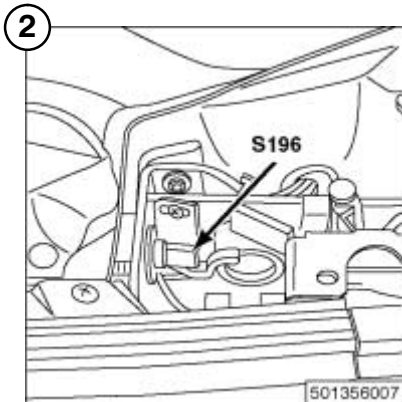
COMPONENT LOCATION VIEWS



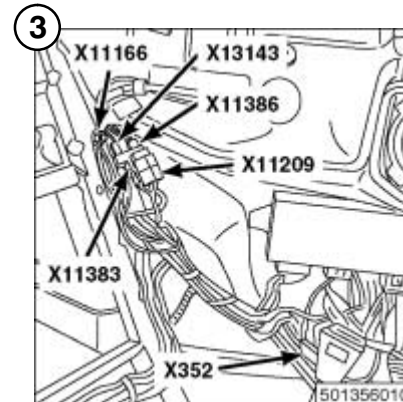
M132
WINDSCREEN
COWL PANEL LOCK
MOTOR

S231
WINDSCREEN
COWL PANEL LOCK
MICRO SWITCH

X11382
X11385



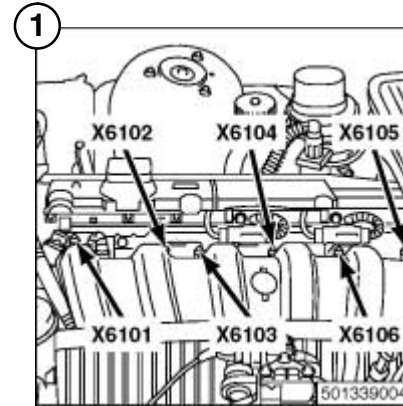
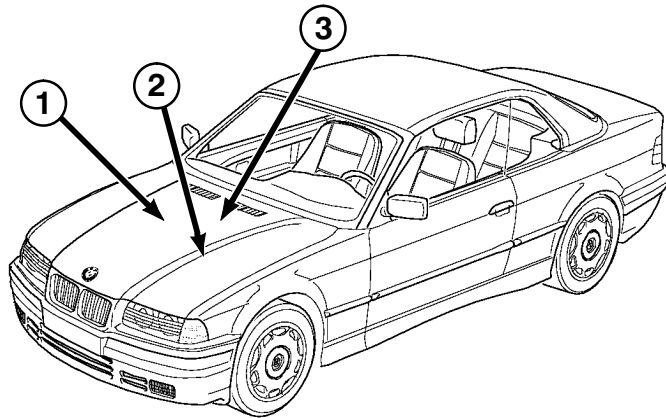
S196
REAR WINDOW
BLOWER MICRO
SWITCH



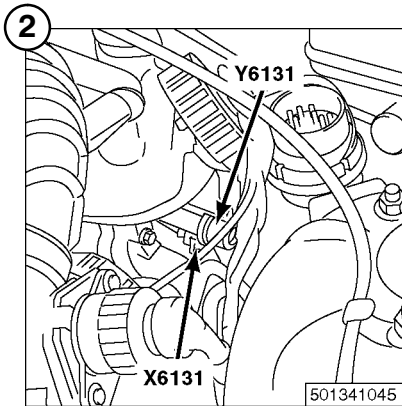
X352
X11166
X11209
X11383
X11386
X13143



COMPONENT LOCATION VIEWS

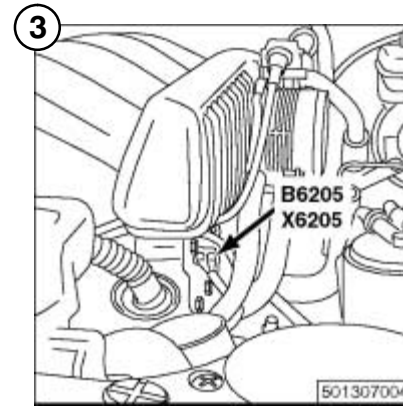


X6101
X6102
X6103
X6104
X6105
X6106



Y6131
INTAKE AIR RES-
ONANCE CHANGE-
OVER VALVE

X6131

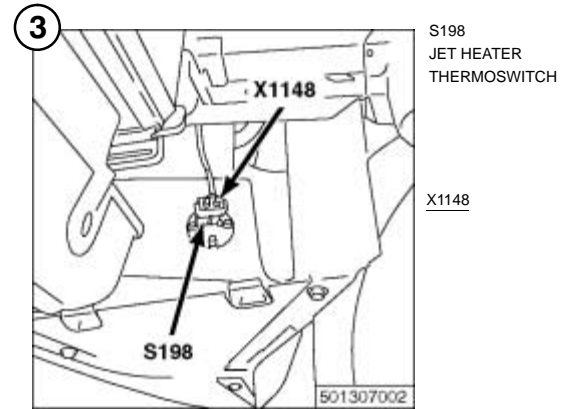
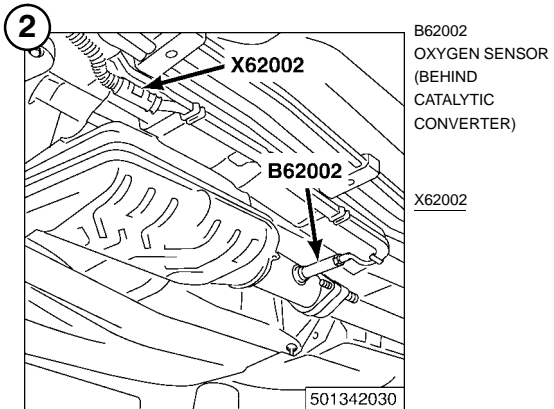
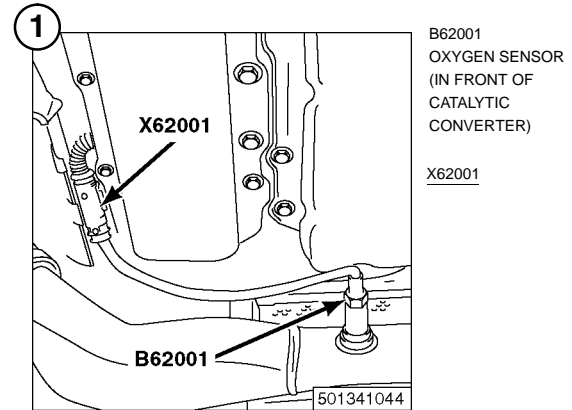
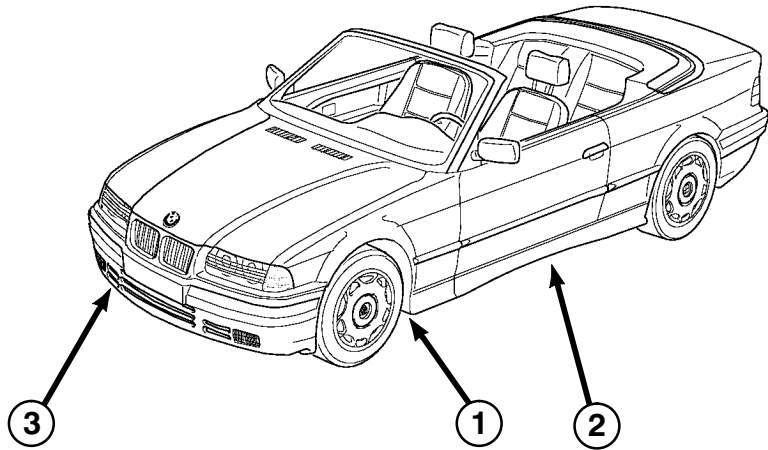


B6205
INTAKE AIR
TEMPERATURE
SENSOR

X6205

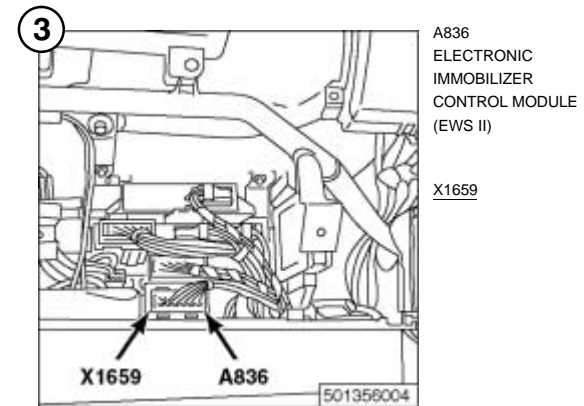
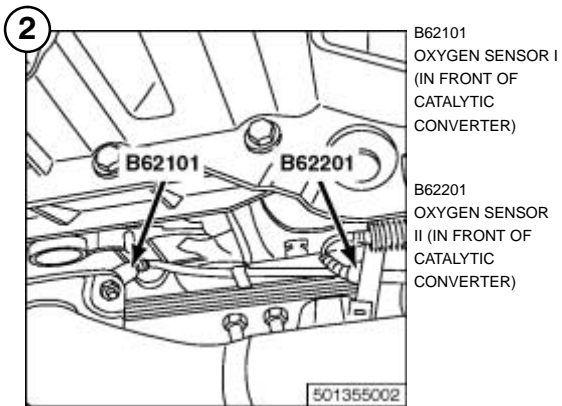
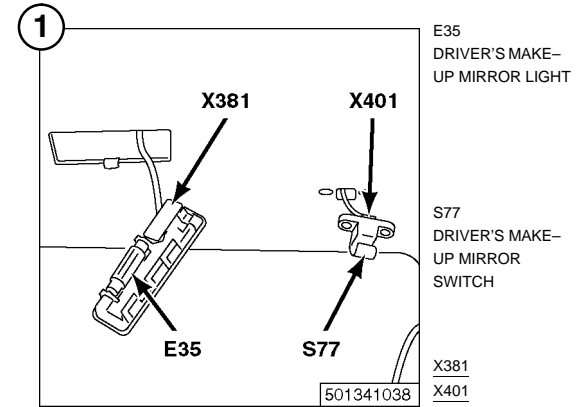
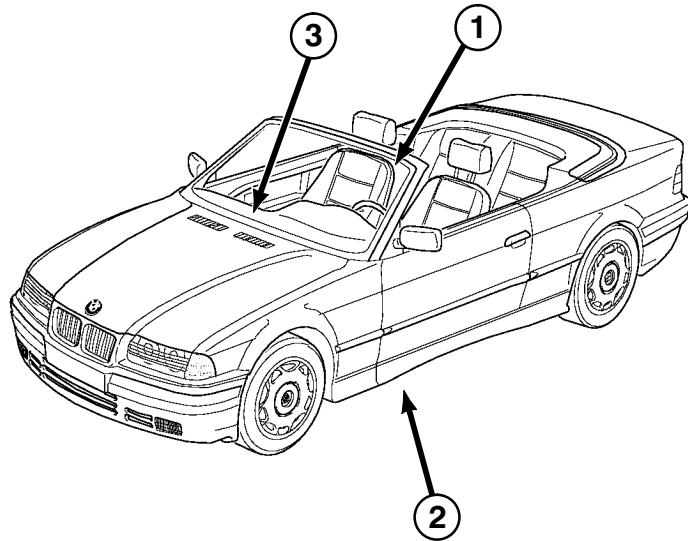


COMPONENT LOCATION VIEWS



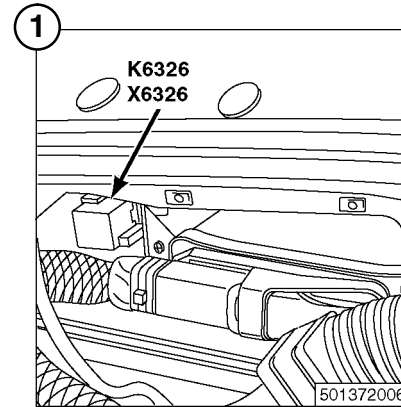
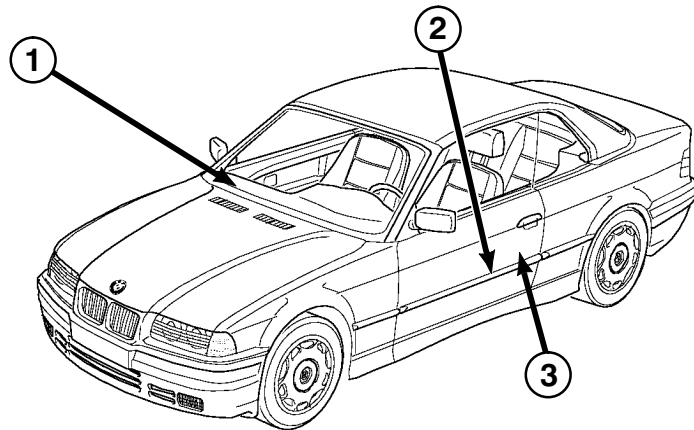


COMPONENT LOCATION VIEWS



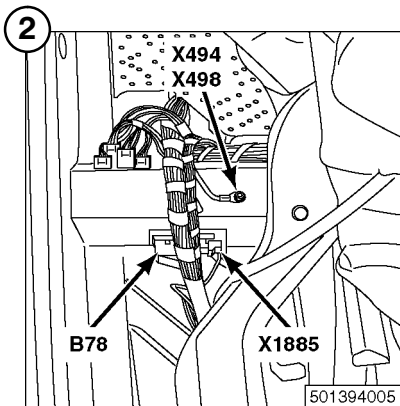


COMPONENT LOCATION VIEWS



K6326
UNLOADER RELAY,
TERMINAL 15

X6326

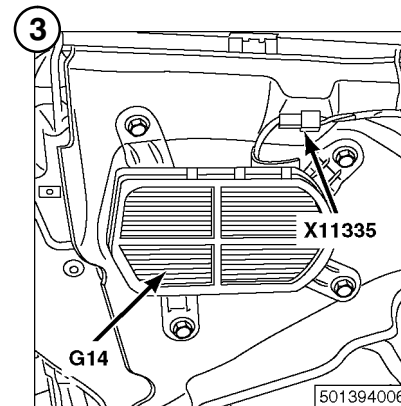


B78
DRIVER'S SIDE IM-
PACT SENSOR

X1885

X494
GROUND

X498
GROUND



G14
LEFT SIDE AIR BAG
GAS GENERATOR

X11335



8000.0 SPLICE LOCATION VIEWS

SPLICE	HARNESS	PAGE NUMBER	SPLICE	HARNESS	PAGE NUMBER
X181–X276	FRONT	8000.0-02	X1263–X1299	REAR	8000.0-03
X313–X314	REAR	8000.0-03	X1382–X1383	RADIO	NOT SHOWN
X313–X314	REAR, CONVERTIBLE	8000.0-04	X1387–X1396	REAR	8000.0-03
X428–X481	REAR	8000.0-03	X1387–X1396	REAR, CONVERTIBLE	8000.0-04
X428–X481	REAR, CONVERTIBLE	8000.0-04	X1396	REAR	8000.0-03
X530–X595	FRONT	8000.0-02	X1541–X1693	FRONT	8000.0-02
X805	REAR	8000.0-03	X1783	REAR, CONVERTIBLE	8000.0-04
X805	REAR, CONVERTIBLE	8000.0-04	X1894–X2152	REAR	8000.0-03
X818	IHKA	NOT SHOWN	X2152	REAR	8000.0-04
X824–X830	RADIO	NOT SHOWN	X6410–X6492	M44 ENGINE	8000.0-05
X834	LH REAR DOOR	NOT SHOWN	X6411–X6492	M3 ENGINE	8000.0-06
X835	RH REAR DOOR	NOT SHOWN	X6411–X6492	M52 ENGINE	8000.0-07
X840	DRIVER'S SEAT	NOT SHOWN	X6810–X6900	M3 ENGINE	8000.0-06
X849–X851	DRIVER'S DOOR	NOT SHOWN	X6810–X6900	M52 ENGINE	8000.0-07
X876–X878	RADIO	NOT SHOWN	X6820–X6900	M44 ENGINE	8000.0-05
X897	RIGHT REAR	NOT SHOWN	X7845–X7846	M44 ENGINE	8000.0-05
X906	IHKA	NOT SHOWN	X8000–X8576	M3 ENGINE	8000.0-06
X942	PASSENGER'S DOOR	NOT SHOWN	X8000–X8776	M52 ENGINE	8000.0-07
X1015–X1164	FRONT	8000.0-02	X8004–X8576	M44 ENGINE	8000.0-05
X1149	FRONT	8000.0-02	X10007–X10104	FRONT	8000.0-02
X1167	REAR	8000.0-03	X10020	FRONT	8000.0-02
X1168–X1192	FRONT	8000.0-02	X10118	REAR	8000.0-03
X1212–X1218	REAR	8000.0-03	X10118	REAR, CONVERTIBLE	8000.0-04
X1212–X1235	REAR, CONVERTIBLE	8000.0-04	X10120–X10123	FRONT	8000.0-02
X1225–X1233	FRONT	8000.0-02	X10169	M44 ENGINE	8000.0-05
X1226–X1235	REAR	8000.0-03	X10189	REAR, CONVERTIBLE	8000.0-04
X1258	FRONT	8000.0-02	X10191–X10192	FRONT	8000.0-02
X1263	REAR, CONVERTIBLE	8000.0-04	X10228–X10292	REAR, CONVERTIBLE	8000.0-04



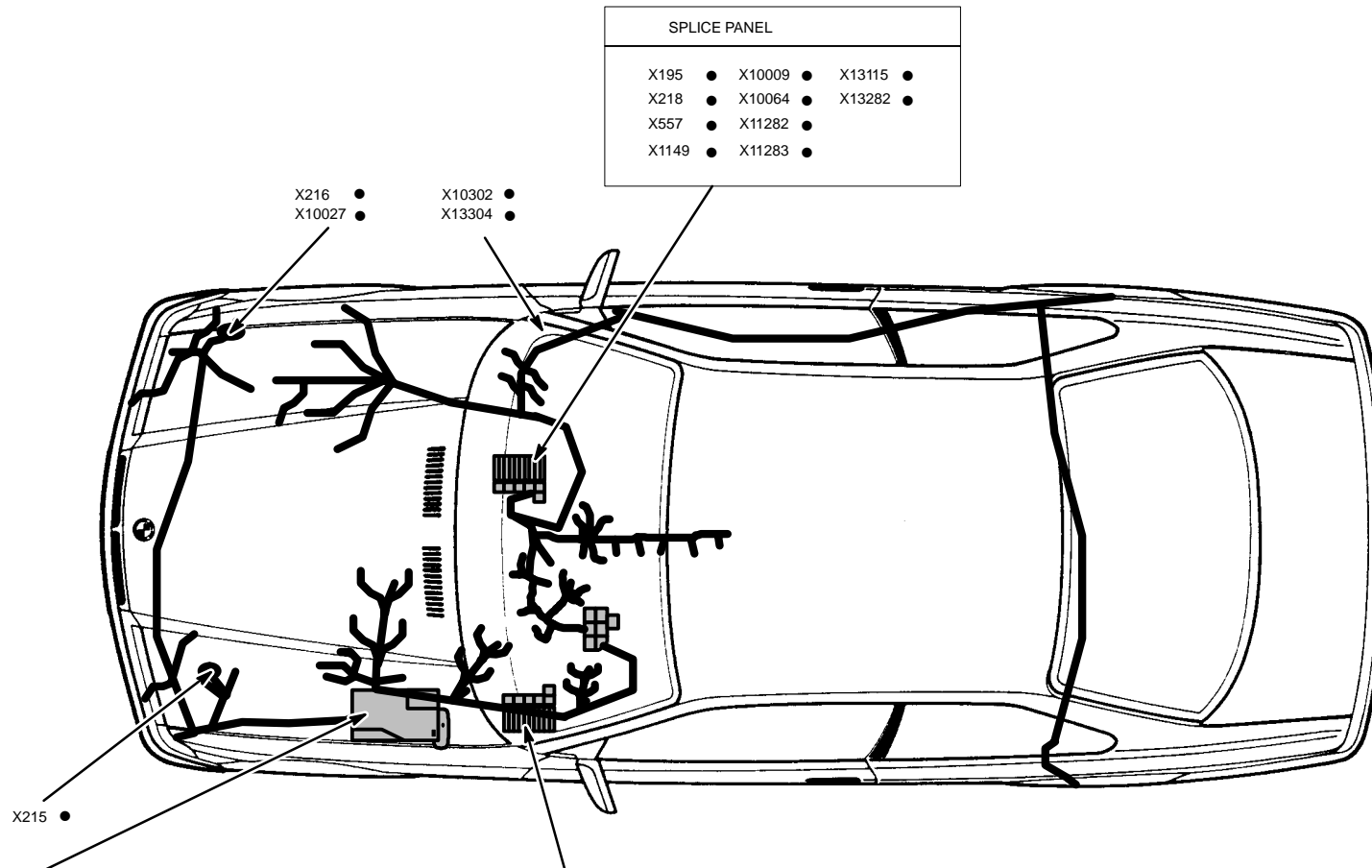
SPLICE LOCATION VIEWS

SPLICE	HARNESS	PAGE NUMBER
X10231-X10252	FRONT	8000.0-02
X10269	REAR	8000.0-03
X10269	REAR, CONVERTIBLE	8000.0-04
X10302	FRONT	8000.0-02
X11207	HARD TOP	NOT SHOWN
X11210	HARD TOP	NOT SHOWN
X11264	FRONT	8000.0-02
X11269	REAR	8000.0-03
X11279	REAR, CONVERTIBLE	8000.0-04
X11282-X11381	FRONT	8000.0-02
X13000	FRONT	8000.0-02
X13002-X13011	REAR	8000.0-03
X13002-X13011	REAR, CONVERTIBLE	8000.0-04
X13021-X13115	FRONT	8000.0-02
X13127-X13273	REAR, CONVERTIBLE	8000.0-04
X13129-X13173	REAR	8000.0-03
X13282	FRONT	8000.0-02
X13289	REAR	8000.0-03
X13289	REAR, CONVERTIBLE	8000.0-04
X13300-X13304	FRONT	8000.0-02
X13309	REAR	8000.0-03
X13309	REAR, CONVERTIBLE	8000.0-04
X13311-X13313	FRONT	8000.0-02
X18160-X18161	IHKA	NOT SHOWN
X18165	FRONT	8000.0-02
X18195	DRIVER'S SEAT	NOT SHOWN
X18784	FRONT	8000.0-02
X18785-X18799	REAR, CONVERTIBLE	8000.0-04
X19513-X19515	RADIO	NOT SHOWN



SPLICE LOCATION VIEWS

FRONT HARNESS



SPLICE PANEL		
X195	●	X10009
X218	●	X10064
X557	●	X11282
X1149	●	X11283
X13115	●	
X13282	●	

X216 ●
X10027 ●

X10302 ●
X13304 ●

X215 ●

SPLICE PANEL					
X184	●	X246	●	X1036	●
X185	●	X276	●	X1055	●
X186	●	X530	●	X1068	●
X187	●	X595	●	X1073	●
X203	●	X1015	●	X1076	●
X223	●	X1022	●	X1077	●
X238	●	X1027	●	X1152	●
X245	●	X1028	●	X1163	●
		X1164	●	X1172	●
		X1168	●	X1177	●
		X10007	●	X10021	●
		X10020	●	X10022	●
		X11284	●	X13300	●
		X13000	●	X13302	●
		X10055	●	X18783	●
		X10029	●	X18784	●
		X1233	●	X10100	●
		X1541	●	X10192	●

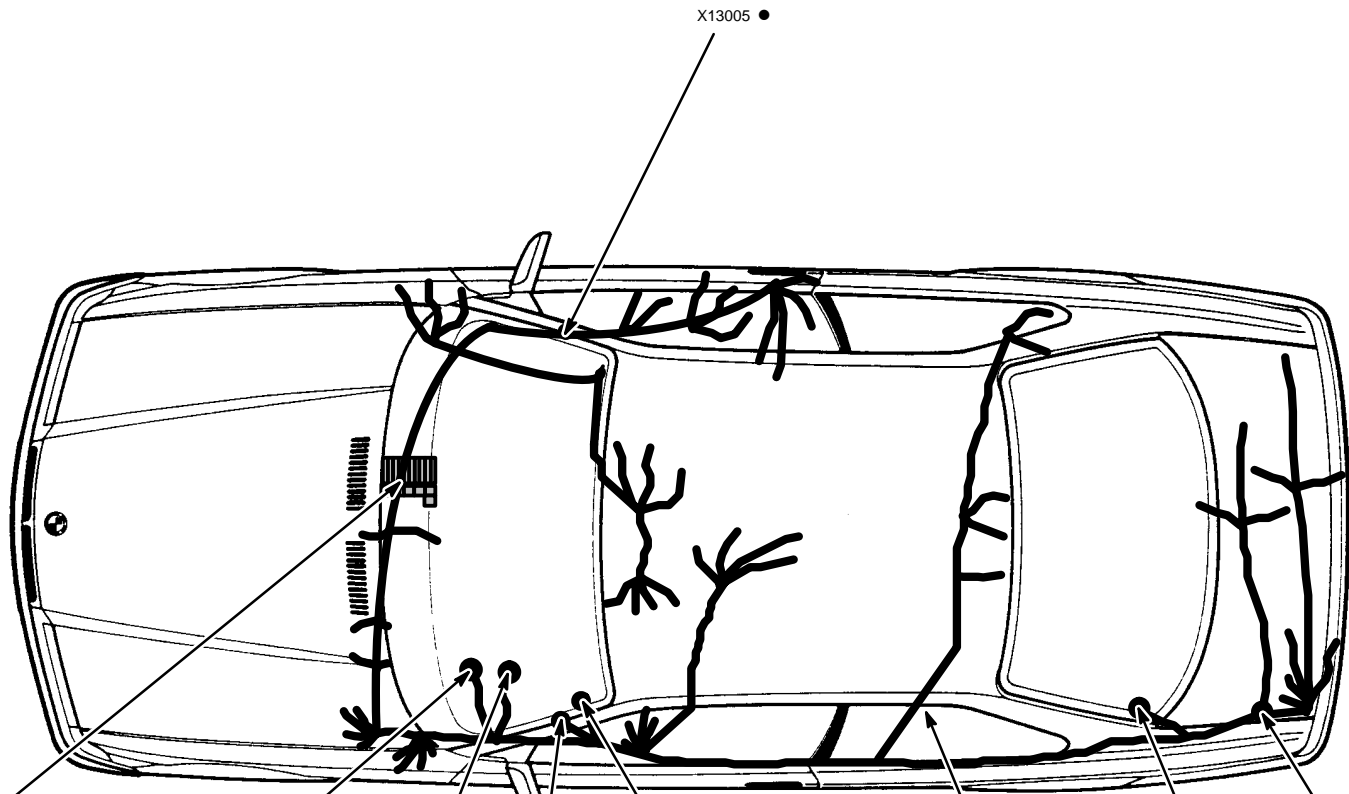
SPLICE PANEL						
X181	●	X228	●	X1079	●	X1686
X182	●	X1019	●	X1080	●	X1687
X183	●	X1029	●	X1085	●	X1689
X188	●	X1047	●	X1179	●	X1691
X191	●	X1065	●	X1182	●	X1693
X196	●	X1066	●	X1225	●	X10008
X197	●	X1067	●	X1258	●	X10011
X213	●	X1069	●	X1682	●	X10024
		X10028	●	X10024	●	X10123
		X10191	●	X10060	●	X10231
		X13313	●	X10061	●	X10252
		X18165	●	X10090	●	X11264
				X10103	●	X11381
				X10104	●	X13021
				X10120	●	X13311
				X13312	●	

03/00 — 8000.0-02 — 1999



SPLICE LOCATION VIEWS

REAR HARNESS



SPLICE PANEL			
X441	●	X462	●
X442	●	X475	●
X443	●	X481	●
X444	●	X1212	●
X445	●	X1235	●
X449	●	X1263	●
X450	●	X1299	●
X453	●	X1387	●
X455	●	X1396	●
X1894	●	X10118	●
X1895	●	X11269	●
X13129	●	X13002	●
X13132	●	X13003	●
X13164	●	X13010	●
X13164	●	X13010	●
X13168	●	X13011	●
X13168	●		
X13173	●		
X13289	●		
X13309	●		

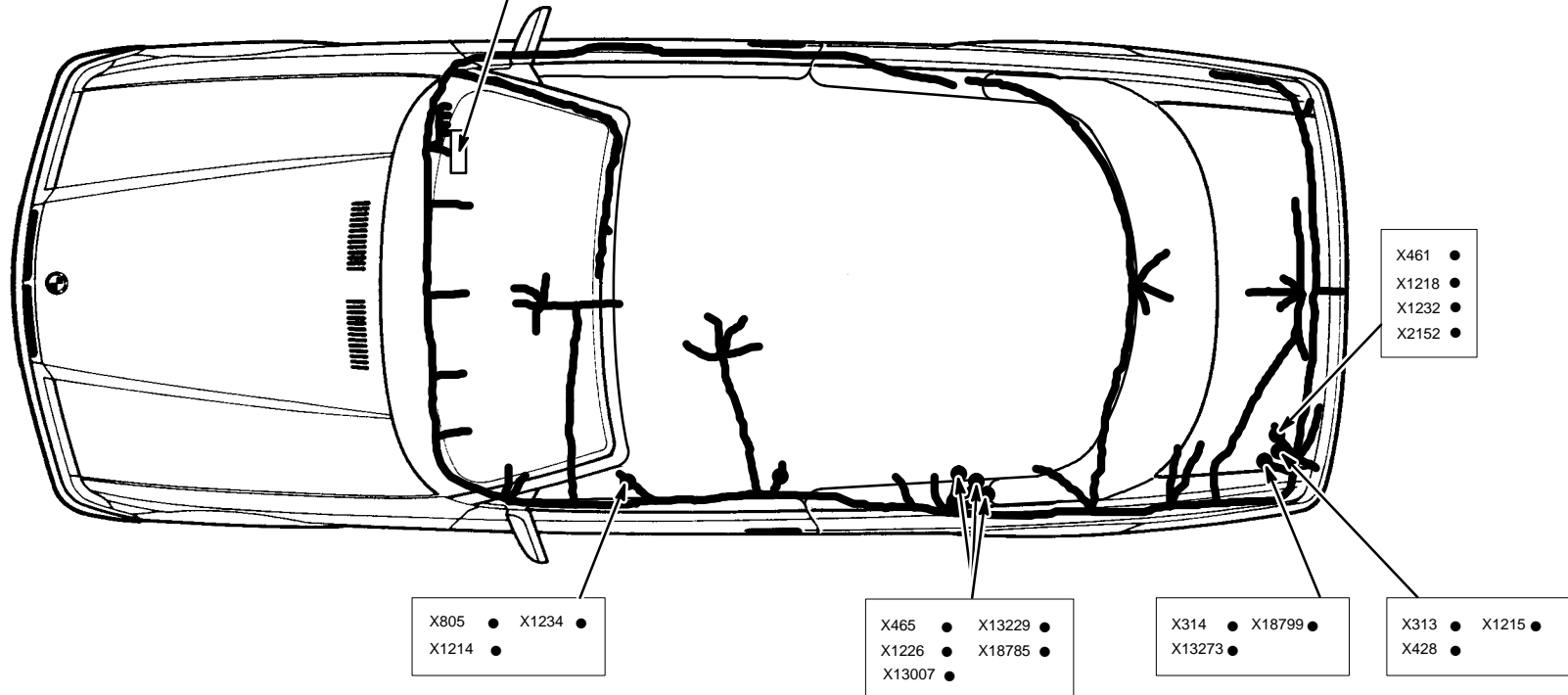
X313	●
X314	●
X428	●
X1214	●
X1215	●
X1218	●
X1226	●
X1232	●
X2152	●



SPLICE LOCATION VIEWS

REAR WIRING HARNESS – CONVERTIBLE

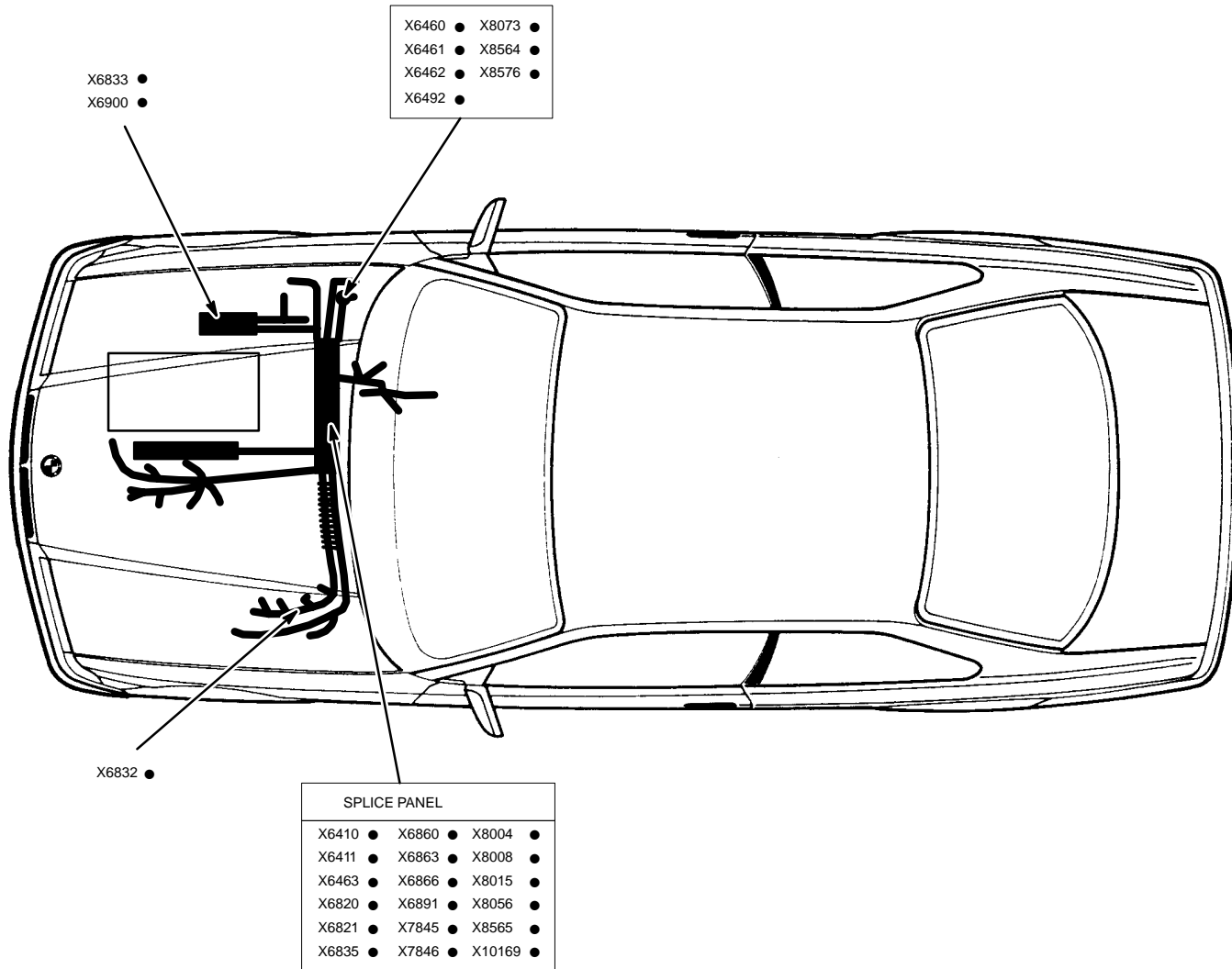
SPLICE PANEL				
X441 ●	X453 ●	X1263 ●	X10229 ●	X13127 ●
X442 ●	X455 ●	X1387 ●	X10269 ●	X13129 ●
X443 ●	X462 ●	X1396 ●	X11279 ●	X13132 ●
X444 ●	X475 ●	X1783 ●	X13002 ●	X13168 ●
X445 ●	X481 ●	X10118 ●	X13003 ●	X13173 ●
X449 ●	X1212 ●	X10189 ●	X13010 ●	X13289 ●
X450 ●	X1235 ●	X10228 ●	X13011 ●	X13309 ●





SPLICE LOCATION VIEWS

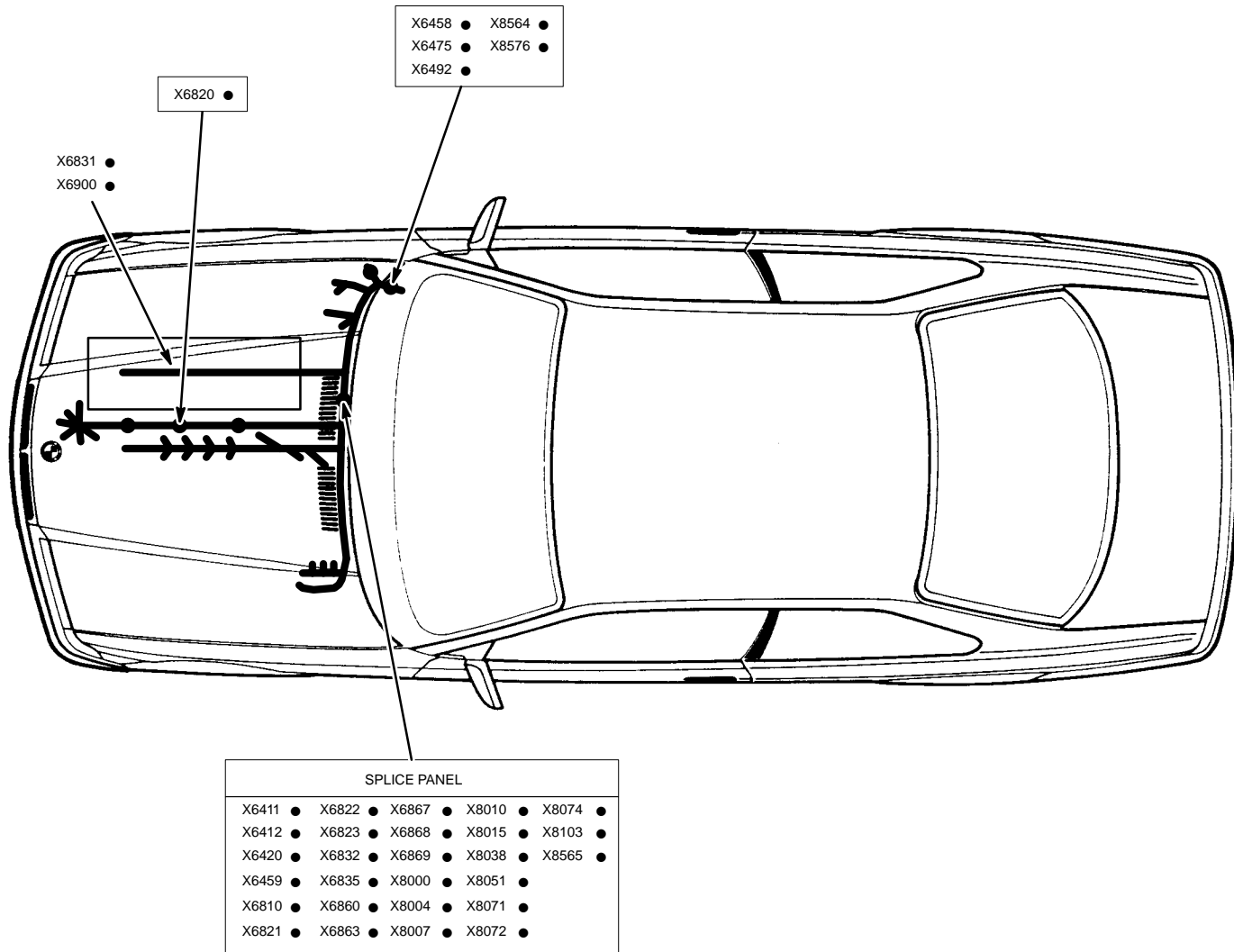
ENGINE HARNESS M44





SPLICE LOCATION VIEWS

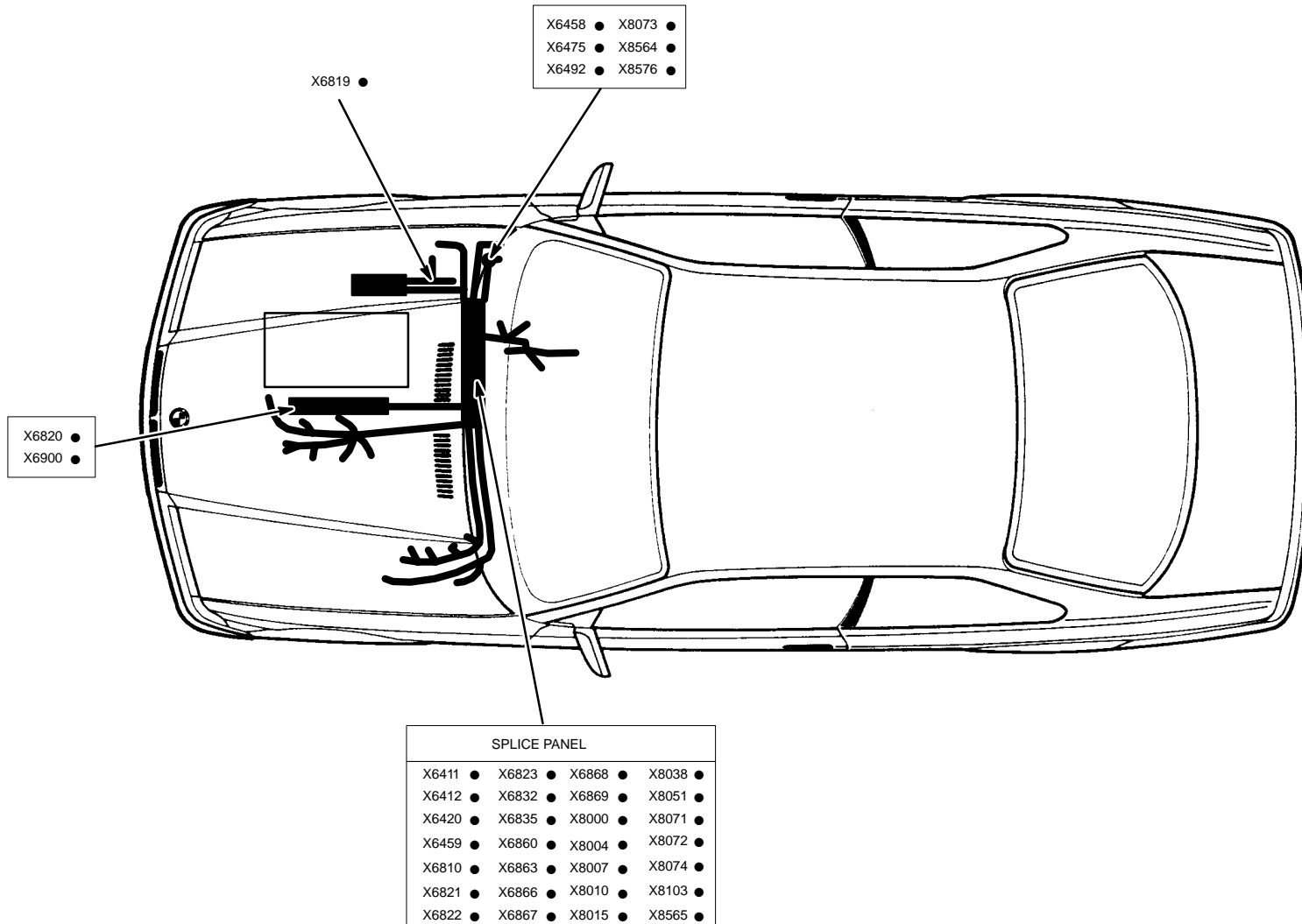
ENGINE HARNESS M3





SPLICE LOCATION VIEWS

ENGINE HARNESS M52





8500.0 CONNECTOR VIEWS

FIG. 1

B550001.03

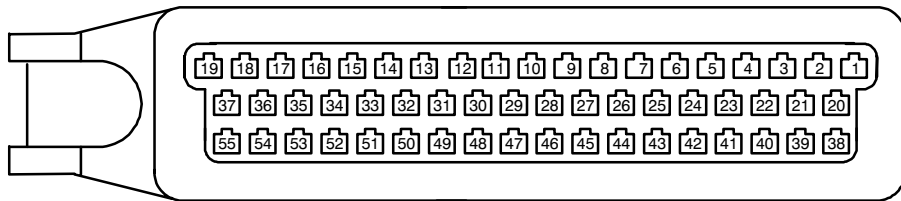


FIG. 2

B260005.00

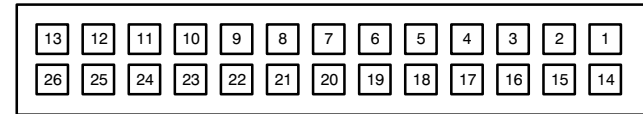


FIG. 3

B150003.00

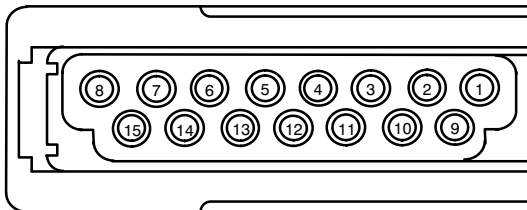
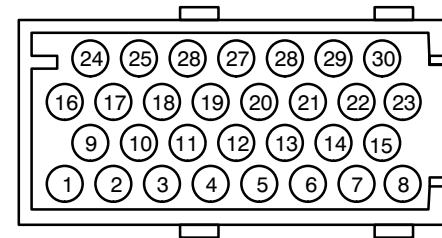


FIG. 4

B300001.00





CONNECTOR VIEWS

FIG. 1

B030024

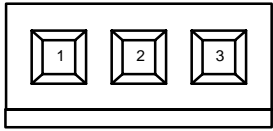


FIG. 2

B120003.00

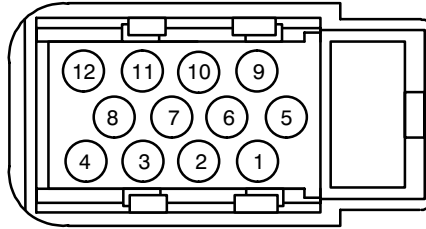


FIG. 3

B120001.00

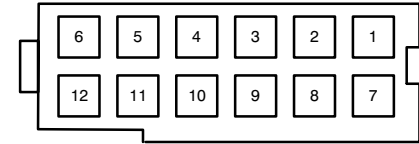


FIG. 4

B080002.00

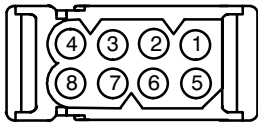


FIG. 5

B180000.00

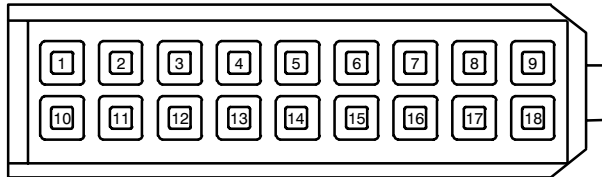
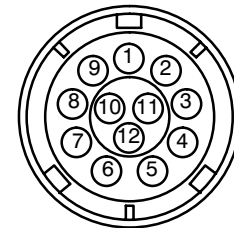


FIG. 6

B120015





CONNECTOR VIEWS

FIG. 1

B500000.00

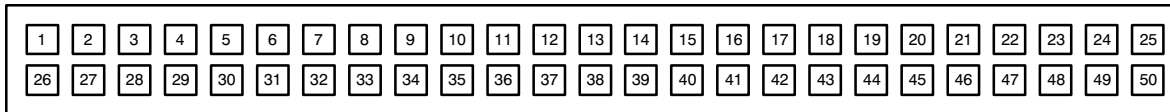


FIG. 2

B080003.00

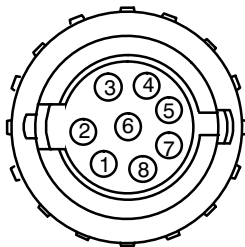


FIG. 3

B170001.00

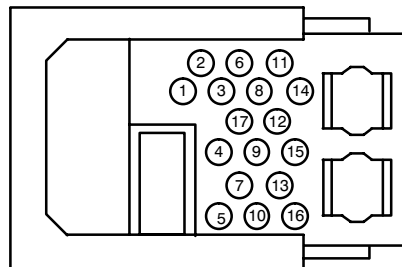
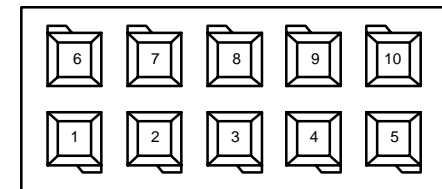


FIG. 4

B100008.00





CONNECTOR VIEWS

FIG. 1

B160001.00

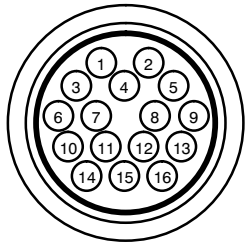


FIG. 2

B050003.00

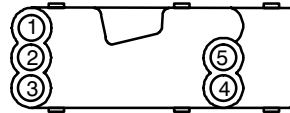


FIG. 3

B040004.00

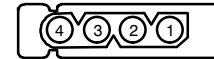


FIG. 4

B120002.02

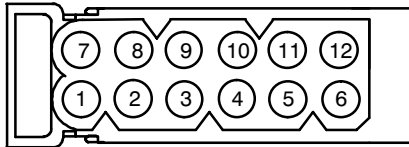


FIG. 5

B080001.00

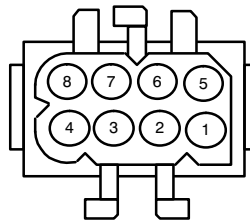
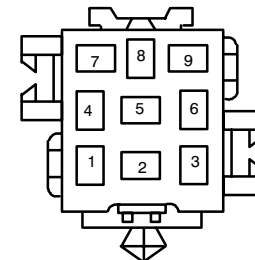


FIG. 6

B090002.00





CONNECTOR VIEWS

FIG. 1

B260002.01

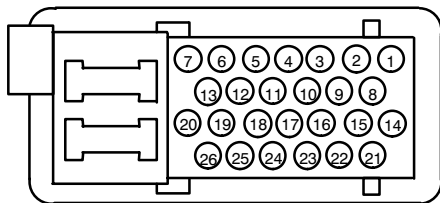


FIG. 2

B060001.02

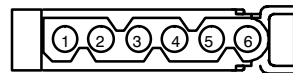


FIG. 3

B050005.00

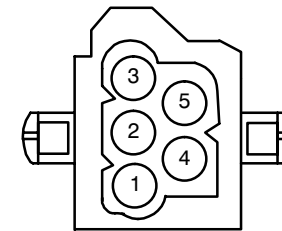


FIG. 4

B200003.00

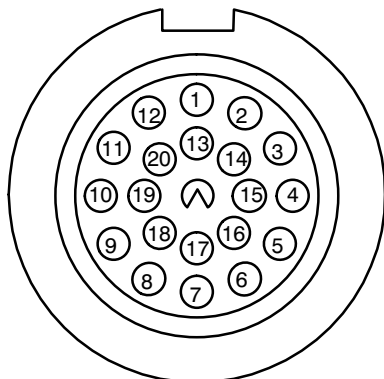


FIG. 5

B060010.01

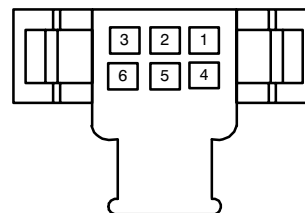
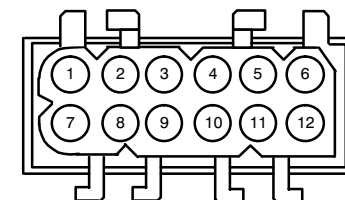


FIG. 6

B120004.01





CONNECTOR VIEWS

FIG. 1

B060008.00

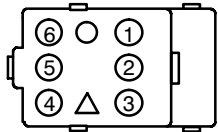


FIG. 2

B250001.01

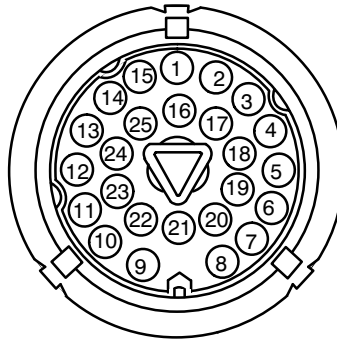


FIG. 3

B060019.02

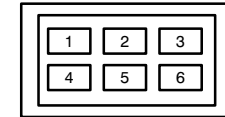


FIG. 4

B060037.00

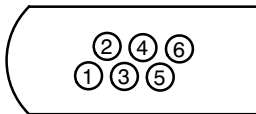


FIG. 5

B030048a

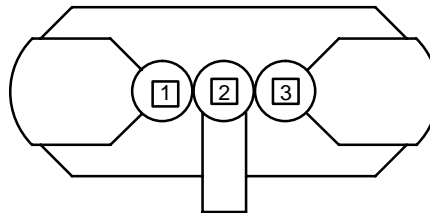
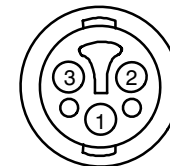


FIG. 6

B030013.00





CONNECTOR VIEWS

FIG. 1

B880001.00

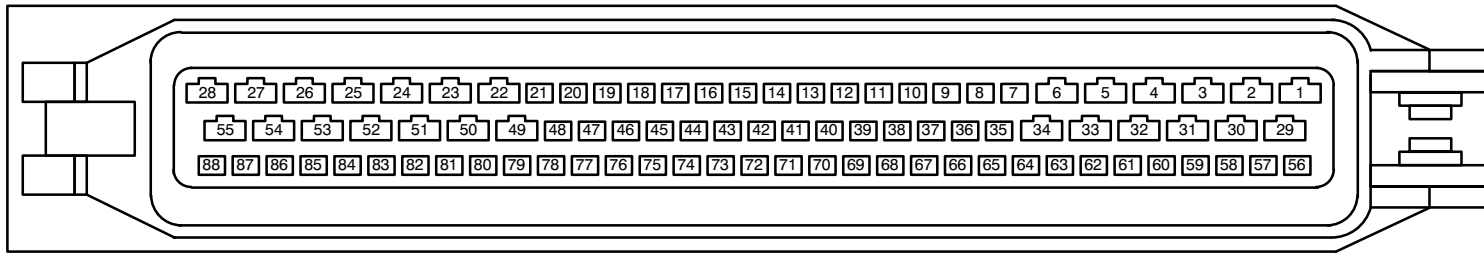


FIG. 2

B100007.00

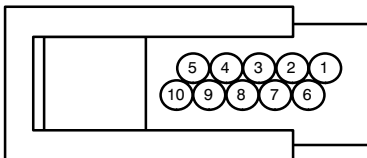


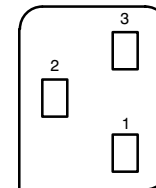
FIG. 3

B030006.00



FIG. 4

B030004.01





CONNECTOR VIEWS

FIG. 1

B060012.00

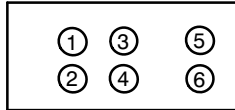


FIG. 2

B040023.01

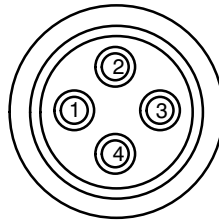


FIG. 3

B030018.00

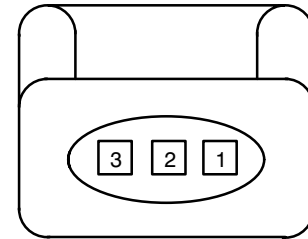


FIG. 4

B030015.08

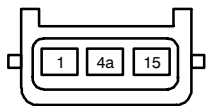


FIG. 5

B030023.00

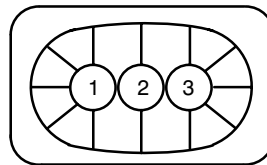


FIG. 6

B040020.00

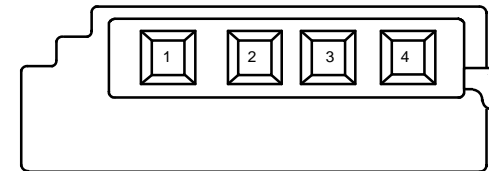


FIG. 1

B030025.00

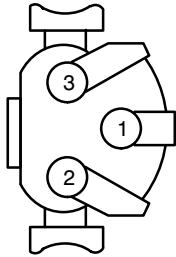


FIG. 2

B060037.01

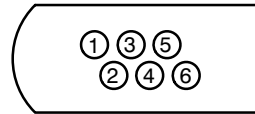


FIG. 3

B160003.00

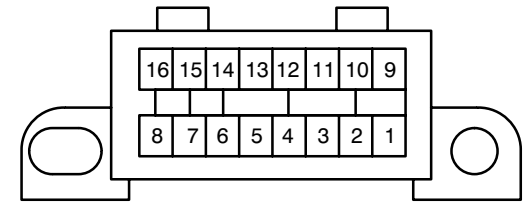


FIG. 4

B060042

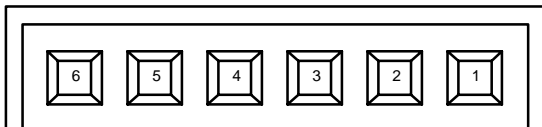


FIG. 5

B040027.00

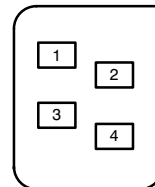
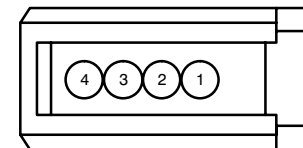


FIG. 6

B040029.00





CONNECTOR VIEWS

FIG. 1

B040021

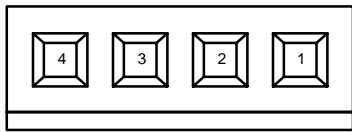


FIG. 2

B030018.01

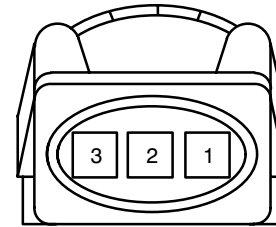


FIG. 3

B030042.01

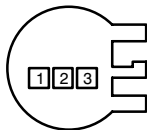
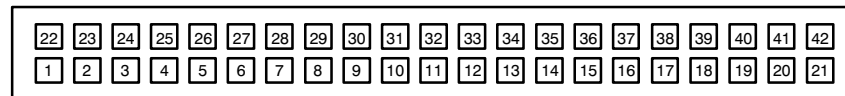


FIG. 4

B420000.00



Free Manuals Download Website

<http://myh66.com>

<http://usermanuals.us>

<http://www.somanuals.com>

<http://www.4manuals.cc>

<http://www.manual-lib.com>

<http://www.404manual.com>

<http://www.luxmanual.com>

<http://aubethermostatmanual.com>

Golf course search by state

<http://golfingnear.com>

Email search by domain

<http://emailbydomain.com>

Auto manuals search

<http://auto.somanuals.com>

TV manuals search

<http://tv.somanuals.com>