

FEATURED MODEL

516193 **10" bowl depth**

ADDITIONAL MODELS

516196 **20" Single Bowl with Ledge (3 Hole)**

516199 **20" Single Bowl**

FEATURES

- 18 gauge, 304 series stainless steel
- 18/10 chrome/nickel content
- Satin polished finish
- Versatile design with Inset (Similar to Drop-in) or Flushmount installation capabilities
- Polished "MicroEdge" rim with 1/4" corner radius
- Stylish drain grooves for improved functionality
- New design allows for easy installation in standard 25" countertop

CODE/STANDARDS COMPLIANCE

ASME 112.19.3-00

IAPMO/UPC listed

OPTIONAL ACCESSORIES

Sink Grid: 516271

Colander: 224387 (Available May 2009)

Glass Cutting Board: 224390 (Available May 2009)

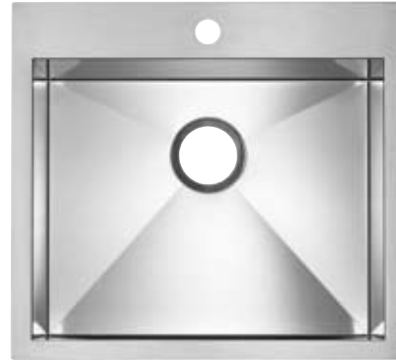
WARRANTY

Blanco America's BLANCO PRECISION MICROEDGE sinks feature a LIMITED LIFETIME WARRANTY to be free of all manufacturing defects under normal use. See our complete warranty for details.

While Blanco America endeavors to provide accurate information, all dimensions are nominal, cannot be guaranteed, and are subject to change or cancellation. Blanco America assumes no responsibility for use of superseded or voided specifications.

PRODUCT SPECIFICATION

Inset or Flushmount sink to be 22-1/2" in length and 20-1/2" in front-to-back depth. Each sink is handcrafted from a single panel of 18 gauge, 304 series stainless steel, with 18/10 chrome/nickel content and satin polished finish. Sink to feature polished "MicroEdge" 1/16" rim with 1/4" corner radius edge and rear drain placement. Sink to be Blanco Model 516193 with a bowl depth of 10".

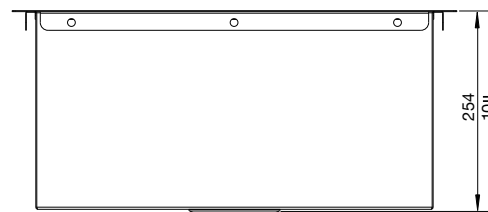
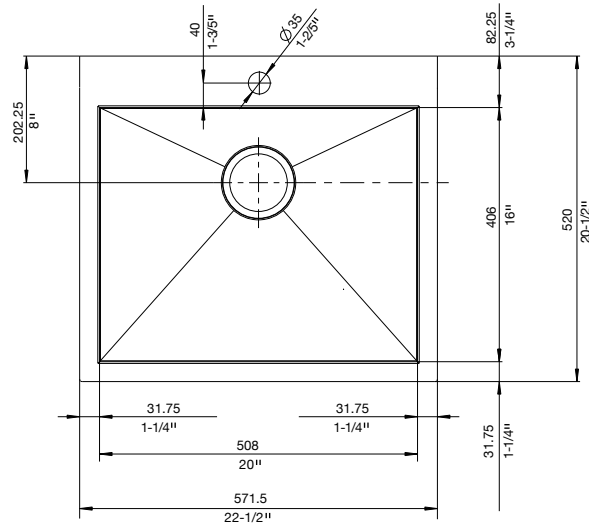


MODEL 516193

NOMINAL DIMENSIONS

MODEL	OVERALL	BOWL DEPTH	DRAIN DIAMETER
516193	22-1/2 x 20-1/2	10	3-1/2

DXF cutout templates available on our web site.



JOB INFORMATION

Job Name: _____

Contact: _____

Date Specified: _____

Specifier: _____

Contractor: _____

BLANCO AMERICA
800.451.5782
www.blancoamerica.com

© 2008 BLANCO AMERICA

11/08

SPEC-003

Free Manuals Download Website

<http://myh66.com>

<http://usermanuals.us>

<http://www.somanuals.com>

<http://www.4manuals.cc>

<http://www.manual-lib.com>

<http://www.404manual.com>

<http://www.luxmanual.com>

<http://aubethermostatmanual.com>

Golf course search by state

<http://golfingnear.com>

Email search by domain

<http://emailbydomain.com>

Auto manuals search

<http://auto.somanuals.com>

TV manuals search

<http://tv.somanuals.com>