

## Clear design in a clear line.

The new double packing table BLANCO LINEA.



The new double packing table BLANCO LINEA - Not only a locker, but also doing an outstanding job.

The BLANCO LINEA has an extremely high loading capacity and a large surface. It is height adjustable and equipped with all extras, facilitating the packing of sterile materials and instruments .

A clear glass pane is separating the two work places. Each one is equipped with a supply column and light bar, which are integrated seamlessly in the clear design. The basecabinet units can be equipped according to individual needs and provide extra space for PCs and a lot of storage room.

With this table all advantages are on your side.

### ■ Packing table, packing good.

Ergonomics is the focus of the new packing table BLANCO LINEA. Both desktops are generously dimensioned with a depth of 1 meter and a width of 2 meters. The infinitely electro-hydraulic height adjustment is easy to use at the push of a button and allows for ergonomic and back sparing work. The lighting is aligned for efficient visual and performance checks.

**BLANCO LINEA. Design and function at the highest level.**

## Design. And more.

### More stability.

The new double packing table BLANCO LINEA is outmost stable. The smooth-running height adjustment is integrated in the table foot, which is anchored in the floor. Therefrom, even at high load, a maximum safety is always provided.

### More space.

BLANCO LINEA offers space in every aspect: large desktops, maximum legroom, supply columns for electricity, network access and compressed-air, as well as cabinets on the side, which can be configured individually and which provide a lot of storage space. Thought about what is best and just realized!

### More hygiene.

Absolute hygiene is essential in the CSSD. BLANCO LINEA is the solution. The new packing table comes equipped with a complete casing and enables a high hygienic standard. More than clean. Pure!

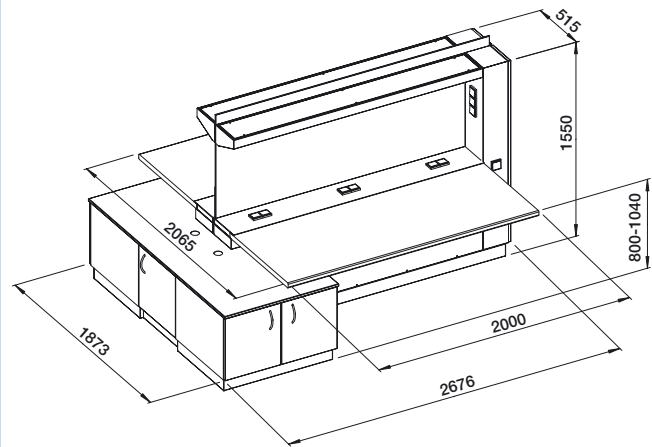
### More competence.

The hygienic supply cycle is of enormous significance in the hospital. Compliance with its requirements prevents infections and provides safety for patients and employees. The product line BLANCO CLEANassist offers smart solutions for all steps in the cycle - from the use in OR and ER to conditioning, packing and transport up to the storing. Who wants to play it safe, plans with BLANCO.

**Your system provider for medical engineering.  
Because quality is the best instrument!**

BLANCO CS GmbH + Co KG  
MEDICAL CARE SYSTEMS  
P.O. Box 13 10  
75033 Oberderdingen Germany  
Phone +49 7045 44-81900  
Telefax +49 7045 44-81135  
med@blanco.de  
www.blanco.de

# BLANCO



### Features:

- Double packing table BLANCO LINEA, height adjustable
- Desktop: HPL-compact worktop with a thickness of 40 mm
- Electrohydraulic height adjustment: 240 mm travel, upper edge: 800–1040 mm
- Maximum capacity per desktop: 100 kg area load
- Power input per side: 350 Watt for height adjustment and lighting
- Lighting: per side 2 x 58 Watt each, Osram Biolux 3700 lm
- Workplace separation: toughened glass pane, clear, thickness: 10 mm

### Material:

- Steel, electrolytically galvanized and epoxy powder coated (Lighting, cabinets and casings), Stainless steel (Extension screens on desktop)

Dimensions 2676 x 1873 x 1550 mm (WxDxH)  
Packing table LINEA Item.-no. 542 964

## Free Manuals Download Website

<http://myh66.com>

<http://usermanuals.us>

<http://www.somanuals.com>

<http://www.4manuals.cc>

<http://www.manual-lib.com>

<http://www.404manual.com>

<http://www.luxmanual.com>

<http://aubethermostatmanual.com>

Golf course search by state

<http://golfingnear.com>

Email search by domain

<http://emailbydomain.com>

Auto manuals search

<http://auto.somanuals.com>

TV manuals search

<http://tv.somanuals.com>