

BLODGETT® **BLODGETT**® **BLODGETT**® **BLODGETT**®

BLODGETT® **BLODGETT**® **BLODGETT**®

BLODGETT® **BLODGETT**® **BLODGETT**® **BLODGETT**®

BLODGETT®

**DFG-100 AND DFG-200 SERIES
CONVECTION OVEN
INSTALLATION – OPERATION – MAINTENANCE**

**LA SÉRIE DFG-100 ET DFG-200
FOURS À CONVECTION
MANUEL D'INSTALLATION – FONCTIONNEMENT – ENTRETIEN**



The Australian
Gas Association

BLODGETT OVEN COMPANY

www.blodgett.com

44 Lakeside Avenue, Burlington, Vermont 05401 USA Telephone (800) 331-5842, (802) 860-3700 Fax: (802)864-0183

PN 90055 Rev U (1/03)

© 2003 – G.S. Blodgett Corporation

Download from Www.Somanuals.com. All Manuals Search And Download.

IMPORTANT

WARNING: IMPROPER INSTALLATION, ADJUSTMENT, ALTERATION, SERVICE OR MAINTENANCE CAN CAUSE PROPERTY DAMAGE, INJURY OR DEATH. READ THE INSTALLATION, OPERATING AND MAINTENANCE INSTRUCTIONS THOROUGHLY BEFORE INSTALLING OR SERVICING THIS EQUIPMENT

AVERTISSEMENT: UNE INSTALLATION, UN AJUSTEMENT, UNE ALTÉRATION, UN SERVICE OU UN ENTRETIEN NON CONFORME AUX NORMES PEUT CAUSER DES DOMMAGES À LA PROPRIÉTÉ, DES BLESSURES OU LA MORT. LISEZ ATTENTIVEMENT LES DIRECTIVES D'INSTALLATION, D'OPÉRATION ET D'ENTRETIEN AVANT DE FAIRE L'INSTALLATION OU L'ENTRETIEN DE CET ÉQUIPEMENT.

INSTRUCTIONS TO BE FOLLOWED IN THE EVENT THE USER SMELLS GAS MUST BE POSTED IN A PROMINENT LOCATION. THIS INFORMATION MAY BE OBTAINED BY CONTACTING YOUR LOCAL GAS SUPPLIER.

LES INSTRUCTIONS À RESPECTER AU CAS OÙ L'UTILISATEUR PERÇOIT UNE ODEUR DE GAZ DOIVENT ÊTRE AFFICHÉES DANS UN ENDROIT BIEN VISIBLE. VOUS POUVEZ VOUS LES PROCURER AUPRÈS DE VOTRE FOURNISSEUR DE GAZ LOCAL.

FOR YOUR SAFETY

Do not store or use gasoline or other flammable vapors or liquids in the vicinity of this or any other appliance.

AVERTISSEMENT

Ne pas entreposer ni utiliser de l'essence ni d'autres vapeurs ou liquides inflammables dans le voisinage de cet appareil, ni de tout autre appareil.

The information contained in this manual is important for the proper installation, use, and maintenance of this oven. Adherence to these procedures and instructions will result in satisfactory baking results and long, trouble free service. Please read this manual carefully and retain it for future reference.

Les informations données dans le présent manuel sont importantes pour installer, utiliser et entretenir correctement ce four. Le respect de ces instructions et procédures permettra d'obtenir de bons résultats de cuisson et une longue durée de service sans problèmes. Veuillez lire le présent manuel et le conserver pour pouvoir vous y reporter à l'avenir.

Errors: Descriptive, typographic or pictorial errors are subject to correction. Specifications are subject to change without notice.

Erreurs: Les erreurs de description, de typographie ou d'illustration font l'objet de corrections. Les caractéristiques sont sujettes à modifications sans préavis.



***THE REPUTATION YOU CAN COUNT ON
UNE RÉPUTATION SUR LAQUELLE VOUS POUVEZ COMPTER***

For over a century and a half, The Blodgett Oven Company has been building ovens and nothing but ovens. We've set the industry's quality standard for all kinds of ovens for every foodservice operation regardless of size, application or budget. In fact, no one offers more models, sizes, and oven applications than Blodgett; gas and electric, full-size, half-size, countertop and deck, convection, Cook'n Hold, Combi-Ovens and the industry's highest quality Pizza Oven line. For more information on the full line of Blodgett ovens contact your Blodgett representative.

Cela fait maintenant dessus un siècle et demi que Blodgett se spécialise dans la fabrication de fours. Nous avons établi les normes de qualité qui s'appliquent dans l'industrie à tous les types de fours utilisés dans les services alimentaires, quel qu'en soit la taille, l'exploitation ou le budget. En fait, ni n'offre plus de modèles, de tailles et d'applications de fours que Blodgett. À gaz et électriques. De tailles différentes, sur plan de travail et superposables. Qu'il s'agisse de fours à convection, des modèles Cook'n Hold et Combi-Oven, ou de la gamme de fours à pizzas de la plus haute qualité offerte sur le marché. Pour de plus amples informations sur la gamme complète de fours Blodgett, veuillez contacter votre représentant Blodgett.

Your Service Agency's Address:
Adresse de votre agence de service:



Model/Modèle:

Serial Number/Numéro de série:

Your oven was installed by/
Installateur de votre four:

Your oven's installation was checked by/
Contrôleur de l'installation de votre four:

Table of Contents/Table des Matières

Introduction		Introduction	
Oven Description and Specifications	2	Description et Spécifications du Four	48
Oven Components	3	Éléments du Four	49
Installation		Installation	
Delivery and Location	4	Livraison et Implantation	50
Oven Assembly	5	Montage du Four	51
NSF Bolts	5	Boulons NSF	51
Leg Attachment	6	Assemblage des Pieds	52
Caster Assembly	6	Montage des Roulettes	52
Double Section Assembly	7	Montage de la Section Double	53
Oven Leveling	7	Mise à Niveau du Four	53
Ventilation	8	Ventilation	54
Canopy Type Exhaust Hood	8	Hotte D'évacuation Type Voûte	54
Direct Flue Arrangement	9	En Prise Directe	55
Utility Connections –		Branchements de Service – Normes et	
Standards and Codes	10	Codes	56
Gas Connection	11	Branchement de Gaz	57
Electrical Connection	14	Raccordement Électrique	60
Initial Startup	15	Mise en Marche Initiale	61
Operation		Utilisation	
Safety Information	16	Informations de Sécurité	62
CH-Pro3 (Solid State Programmable		CH-Pro3 (Commande Numérique Program-	
Digital Control)	17	mable pour Semi-Conducteurs)	63
Solid State Digital Control	20	Commandes Numériques à	
Solid State Manual Control	22	Semi-Conducteurs	67
Blodgett IQ2™ Control	23	Commandes à Semi-Conducteurs	70
Cook and Hold Control	32	Contrôle du Blodgett IQ2™	71
Pulse Plus	34	Commande Cuisson et Maintien	81
Humidaire	35	Pulse Plus	83
Intelliplus with Chain Event Control	36	Humidaire	84
Intellitouch II Control	39	Intelliplus avec Commandes à	
How Cook and Hold Works	42	Enchaînement	85
General Guidelines for Operating		Intellitouch II	88
Personnel	43	Principe de la Fonction de Cuisson et	
Suggested Times and Temperatures	44	Maintien	91
Maintenance		Consignes Générales à l'Intention des	
Cleaning and Preventative Maintenance	45	Utilisateurs	92
Troubleshooting Guide	46	Durées et Températures Suggérées	93
		Entretien	
		Nettoyage et Entretien Préventif	94
		Guide de Détection des Pannes	95

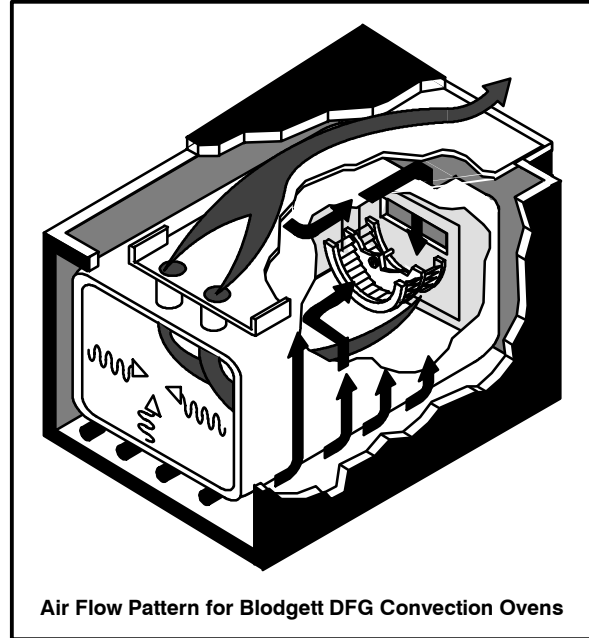


Introduction

Oven Description and Specifications

Cooking in a convection oven differs from cooking in a conventional deck or range oven since heated air is constantly recirculated over the product by a fan in an enclosed chamber. The moving air continually strips away the layer of cool air surrounding the product, quickly allowing the heat to penetrate. The result is a high quality product, cooked at a lower temperature in a shorter amount of time.

Blodgett convection ovens represent the latest advancement in energy efficiency, reliability, and ease of operation. Heat normally lost, is recirculated within the cooking chamber before being vented from the oven: resulting in substantial reductions in energy consumption and enhanced oven performance.



Air Flow Pattern for Blodgett DFG Convection Ovens

Figure 1

GAS SPECIFICATIONS – U.S., Canada and General Export				
	Natural Gas		Propane Gas	
	US Units	SI Units	US Units	SI Units
Heating Value	1000 BTU/cu.ft.	37.3 MJ/m ³	2550 BTU/cu. ft.	95.0 MJ/m ³
Specific Gravity (air=1.0)	0.63	0.63	1.53	1.53
Oven Input				
DFG-100-3	55,000 BTU/hr	16.2 kW	55,000 BTU/hr	16.2 kW
DFG-200-L	60,000 BTU/hr	17.6 kW	60,000 BTU/hr	17.6 kW
Main Burner Orifice Size				
DFG-100-3	38 MTD*	2.6 mm	1/16" dia.	1.6 mm
DFG-200-L	36 MTD*	2.7 mm	52 MTD*	1.6 mm
GAS SPECIFICATIONS – DFG-100-3 for Australia				
Oven Input	–	58 MJ/h	–	58 MJ/h
Main Burner Orifice Size	38 MTD*	2.58 mm	1/16" dia.	1.6 mm

NOTE: * – Multiple Twist Drill



Oven Components

Combustion Cover – provides access to the combustion compartment on gas ovens.

Combustion Compartment – contains combustion burners on gas ovens.

Combustion Burners – provide heat to the baking chamber on gas ovens.

Chain & Turnbuckle – controls operation of the oven doors.

Control Panel – contains wiring and components to control the oven operation.

Oven Racks – five racks are provided standard. Additional racks are available.

Rack Supports – hold oven racks.

Blower Wheel Cover – located on the back interior wall of the oven. Protects the blower wheel.

Blower Wheel – spins to circulate hot air in the baking chamber.

Convection Motor – provides power to turn the blower wheel.

Oven Lights – provide lighting inside the baking compartment.

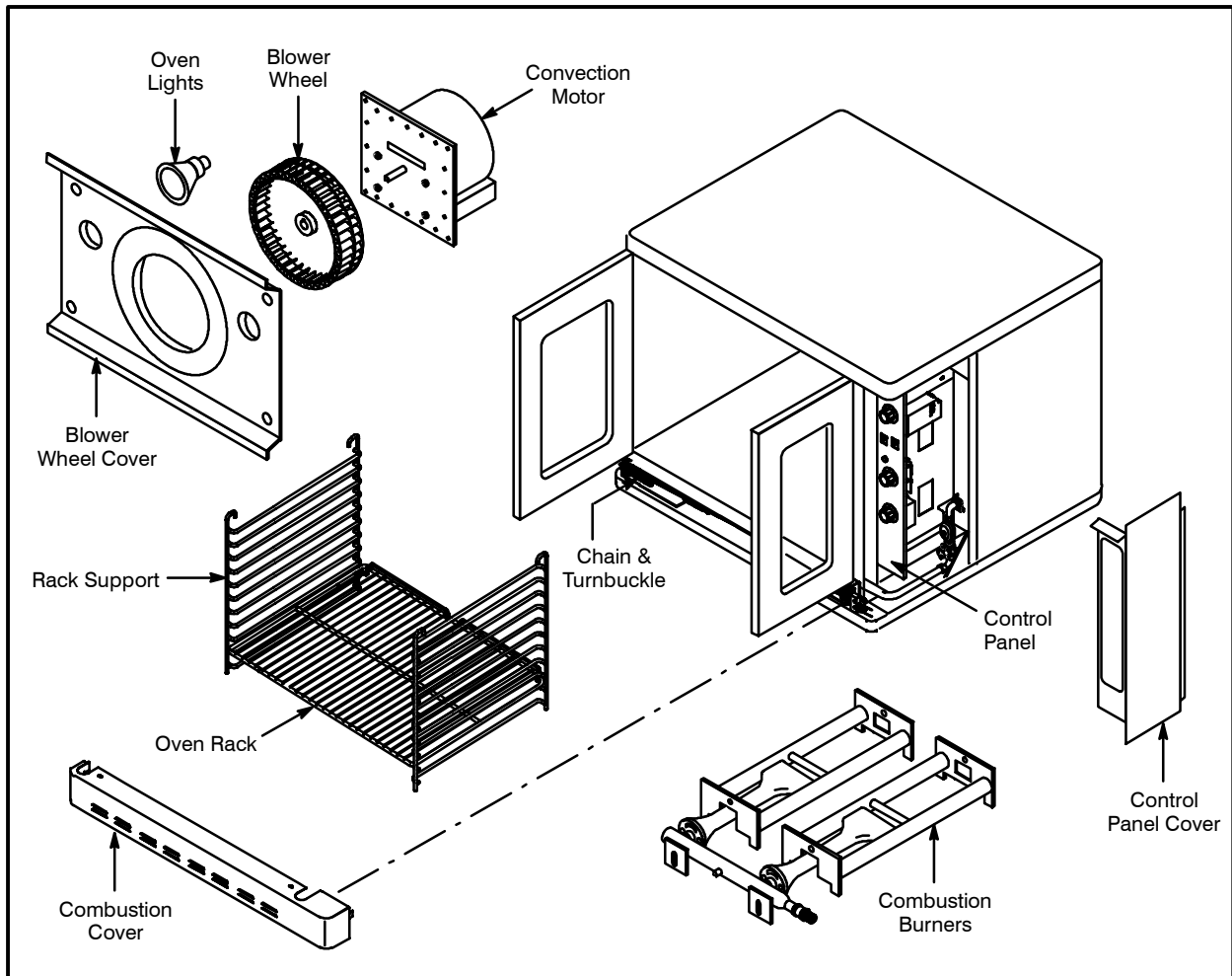


Figure 2



Installation

Delivery and Location

DELIVERY AND INSPECTION

All Blodgett ovens are shipped in containers to prevent damage. Upon delivery of your new oven:

- Inspect the shipping container for external damage. Any evidence of damage should be noted on the delivery receipt which must be signed by the driver.
- Uncrate the oven and check for internal damage. Carriers will accept claims for concealed damage if notified within fifteen days of delivery and the shipping container is retained for inspection.

The Blodgett Oven Company cannot assume responsibility for loss or damage suffered in transit. The carrier assumed full responsibility for delivery in good order when the shipment was accepted. We are, however, prepared to assist you if filing a claim is necessary.

OVEN LOCATION

The well planned and proper placement of your oven will result in long term operator convenience and satisfactory performance.

The following clearances must be maintained between the oven and any combustible or non-combustible construction.

DFG100

- Oven body right side – 2" (5cm)
- Oven body left side – 2" (5cm)
- Oven body back – 0" (0cm)
- Oven body bottom – 6" (15cm)

DFG200

- Oven body right side – 6" (15cm)
- Oven body left side – 6" 6" (15cm)
- Oven body back – 6" (15cm)
- Oven body bottom – 6" (15cm)

The following clearances must be available for servicing.

- Oven body sides – 12" (30cm)
- Oven body back – 12" (30cm)

NOTE: On gas models, routine servicing can usually be accomplished within the limited movement provided by the gas hose restraint. If the oven needs to be moved further from the wall, the gas must first be turned off and disconnected from the oven before removing the restraint. Reconnect the restraint after the oven has been returned to its normal position.

It is essential that an adequate air supply to the oven be maintained to provide a sufficient flow of combustion and ventilation air.

- Place the oven in an area that is free of drafts.
- Keep the oven area free and clear of all combustibles such as paper, cardboard, and flammable liquids and solvents.
- NSF requires 6" of clearance on the bottom and sides of the unit for cleaning. Do not place the oven on a curb base or seal to a wall.
- The location must provide adequate clearance for the air opening into the combustion chamber.

Before making any utility connections to this oven, check the rating plate to be sure the oven specifications are compatible with the gas and electrical services supplied for the oven.

1. Remove the combustion compartment cover. The rating plate is attached to the frame on the left side of the combustion compartment.



NSF BOLTS

These bolts are required by NSF to block any exposed hole on the back of an oven. This includes:

- any unit, single or stacked, without a back panel.
- any holes in stacked units not used for mounting stacking brackets.

1. Locate the 5/16" bolts that were shipped with the oven.
2. Install the bolts as shown in Figure 3.

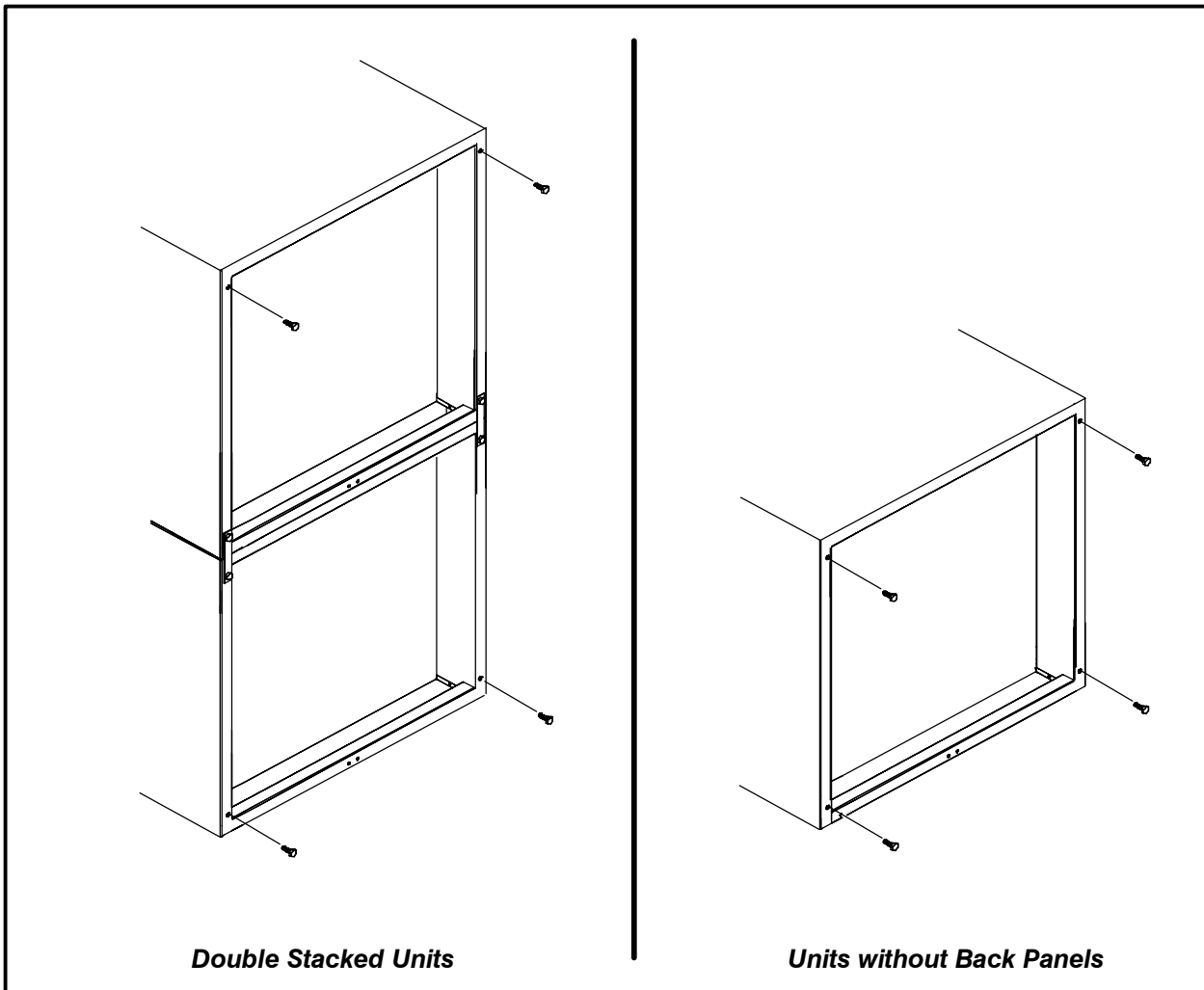


Figure 3



Installation

Oven Assembly

LEG ATTACHMENT

1. Push the oven onto a lift with the bottom of the oven down.
2. Align the threaded stud in each leg with the nut located inside each bottom corner of the oven frame. Turn the legs clockwise and tighten to the nearest full turn.
3. Align the two leg plate holes in each leg with those in the oven bottom. Secure each leg using two 1/2" bolts.

NOTE: If using casters see CASTER ASSEMBLY before proceeding.

4. Level the oven by screwing the adjustable leg feet in or out as necessary.

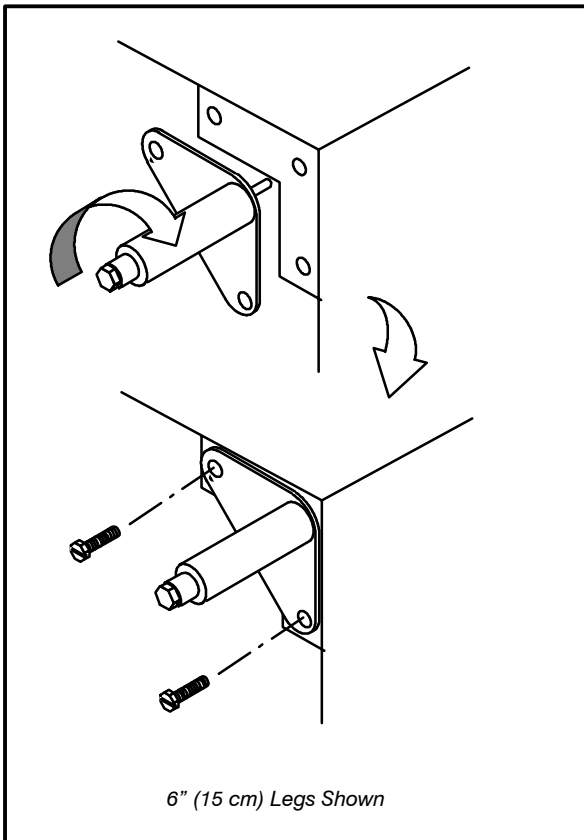


Figure 4

CASTER ASSEMBLY

NOTE: Install the locking casters on the front of the oven. Install the non-locking casters on the back of the oven.

NOTE: Use a gas hose restraint on all units with casters. See page 13.

Casters for Single and Double Stacked Ovens:

1. Attach the legs as described.
2. Pry the adjustable feet out of the legs.
3. Insert one caster into each leg as shown. Tighten the lock nuts to secure the casters.

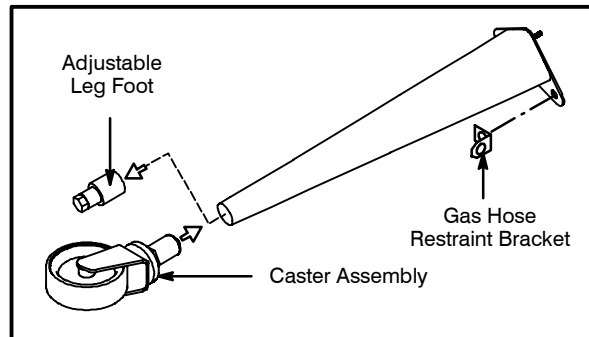


Figure 5

Low Profile Casters for Double Stacked Ovens:

1. Align the three holes in each caster assembly plate with those in the oven bottom. Secure each caster using three 1/2" bolts.

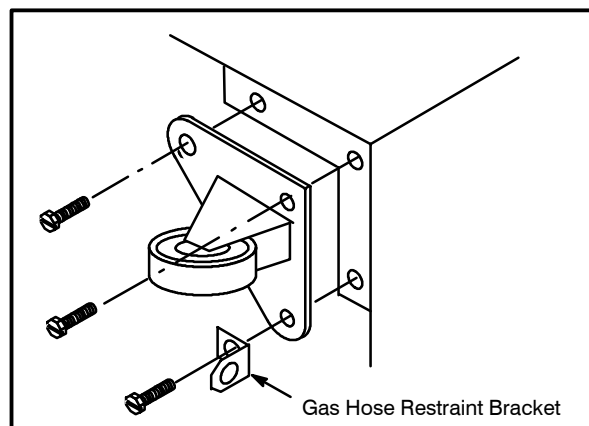


Figure 6



Oven Assembly

DOUBLE SECTION ASSEMBLY

NOTE: Old style ovens refer to units with painted exposed rear angle. New style ovens refer to units with rear angle iron enclosed in steel.

The following instructions apply to stacking two new style ovens.

1. Secure the short legs to the bottom sections as described.
2. Place the upper section in position on top of the lower oven.
3. Attach the stacking brackets using the remaining 5/16" bolts shipped with the ovens.
4. Attach the flue connector.

The following instructions apply to stacking a new style oven on an old style oven.

1. Secure the short legs to the bottom sections as described.
2. Place the upper section in position on top of the lower oven.

3. Attach the stacking brackets using the remaining 5/16" bolts shipped with the ovens.
4. Drill a clearance hole for a 5/16" bolt in the angle iron of the old style oven. Use the holes in the stacking brackets as a pilot.
5. Attach the stacking brackets to the old style oven with the 5/16" bolts and nuts provided in the kit.
6. Attach the flue connector.



WARNING!!

When stacking ovens be sure to remove the single oven flue boxes prior to attaching three-piece connector.

OVEN LEVELING

After assembly, the oven should be leveled and moved to the operating location.

1. The oven can be leveled by adjusting the feet or casters located on the bottom of each leg.

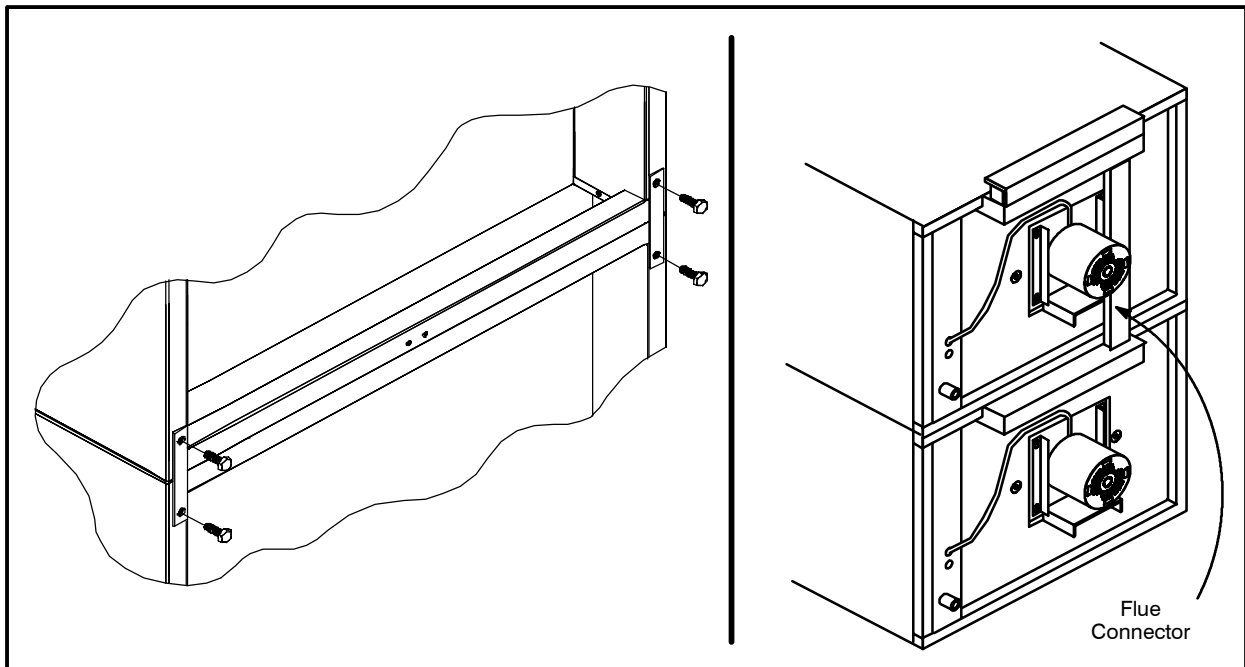


Figure 7



Installation

Ventilation

On gas models the installation of a proper ventilation system cannot be over emphasized. This system removes unwanted vapors and products of combustion from the operating area.

This oven may be vented using either:

- A mechanically driven, canopy type, exhaust hood, or
- A direct flue arrangement.

U.S. and Canadian installations

Refer to your local ventilation codes. In the absence of local codes, refer to the National ventilation code titled, "Standard for the Installation of Equipment for the Removal of Smoke and Grease Laden Vapors from Commercial Cooking Equipment", NFPA-96-Latest Edition.

Australia and general export installations

Installation must conform with Local and National installation standards. Local installation codes and/or requirements may vary. If you have any questions regarding the proper installation and/or operation of your Blodgett oven, please contact your local distributor. If you do not have a local distributor, please call the Blodgett Oven Company at 0011-802-860-3700.



WARNING:

Failure to properly vent the oven can be hazardous to the health of the operator and may result in operational problems, unsatisfactory baking and possible damage to the equipment.

Damage sustained as a direct result of improper ventilation will not be covered by the manufacturer's warranty.

CANOPY TYPE EXHAUST HOOD

A mechanically driven, canopy type exhaust hood is the preferred method of ventilation.

The hood should be sized to completely cover the equipment plus an overhang of at least 6" (15 cm) on all sides not adjacent to a wall. The distance from the floor to the lower edge of the hood should not exceed 7' (2.1m).

The total makeup and exhaust air requirements for hood capacity should be approximately 30 CFM (.85 m³) for each oven section.

Installing the canopy hood draft diverter

Ovens ordered for hood venting are supplied with a draft diverter. Install the draft diverter as follows:

1. Place the diverter over the flue connector with the open area facing the front of the oven. See Figure 8.
2. Secure both ends with the sheet metal screws provided.

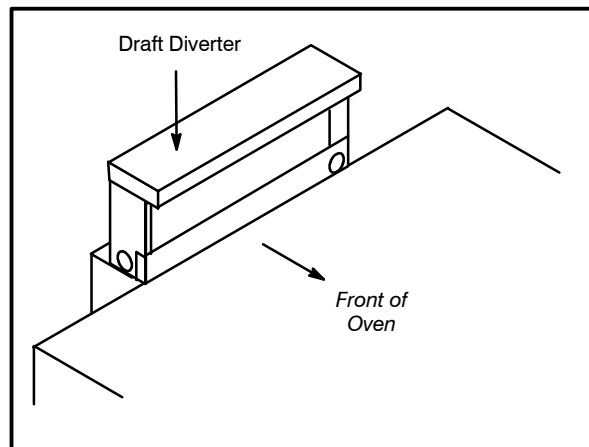


Figure 8



DIRECT FLUE ARRANGEMENT

When the installation of a mechanically driven exhaust hood is impractical the oven may be vented by a direct flue arrangement.



WARNING!!

It is essential that the direct flue be installed as follows. Incorrect installation will result in unsatisfactory baking and oven damage.

The flue must be class B or better. The height of the flue should rise 6-8 ft (2-2.5 m) above the roof of the building or any proximate structure. Never direct vent the oven into a hood. The flue should be capped with a UL Listed type vent cap to isolate the unit from external environmental conditions.

The direct vent cannot replace air consumed and vented by the oven. Provisions must be made to supply the room with sufficient make-up air. Total make-up air requirements for each oven section should be approximately 30 CFM (.85 m³) per section. To increase the supply air entering the room, a ventilation expert should be consulted.

FLUE DIAMETER		
Oven	Single	Double
DFG-100	6" (15cm)	6" (15cm)
DFG-200	6" (15cm)	8" (20cm)

Installing the draft hood

Ovens ordered for direct venting are supplied with a draft hood. Install the draft hood as follows:

1. Place the draft hood over the flue connector. See Figure 9.
2. Secure both ends with the sheet metal screws provided.

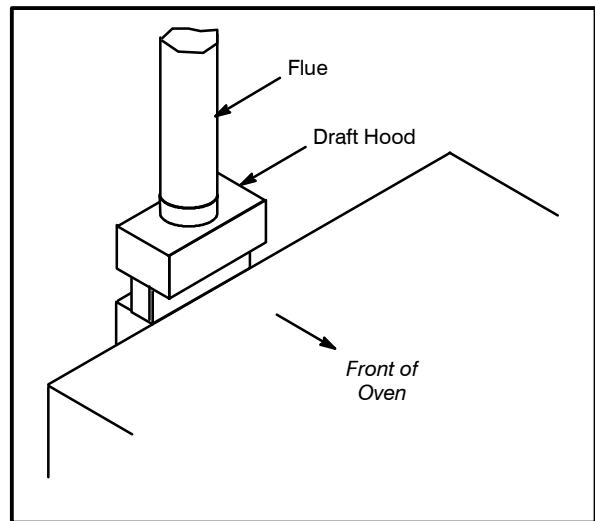


Figure 9



Installation

Utility Connections – Standards and Codes

THE INSTALLATION INSTRUCTIONS CONTAINED HEREIN ARE FOR THE USE OF QUALIFIED INSTALLATION AND SERVICE PERSONNEL ONLY. INSTALLATION OR SERVICE BY OTHER THAN QUALIFIED PERSONNEL MAY RESULT IN DAMAGE TO THE OVEN AND/OR INJURY TO THE OPERATOR.

Qualified installation personnel are individuals, a firm, a corporation, or a company which either in person or through a representative are engaged in, and responsible for:

- the installation or replacement of gas piping and the connection, installation, repair or servicing of equipment.
- the installation of electrical wiring from the electric meter, main control box or service outlet to the electric appliance.

Qualified installation personnel must be experienced in such work, familiar with all precautions required, and have complied with all requirements of state or local authorities having jurisdiction.

U.S. and Canadian installations

Installation must conform with local codes, or in the absence of local codes, with the *National Fuel Gas Code, NFPA54/ANSI Z223.1–Latest Edition*, the *Natural Gas Installation Code CAN/CGA-B149.1* or the *Propane Installation Code, CAN/CGA-B149.2* as applicable.

Installation must conform with local codes, or in the absence of local codes, with the *National Electrical Code, ANSI/NFPA 70–Latest Edition* and/or *Canadian National Electric Code C22.2* as applicable.

Australia and general export installations

Installation must conform with Local and National installation standards. Local installation codes and/or requirements may vary. If you have any questions regarding the proper installation and/or operation of your Blodgett oven, please contact your local distributor. If you do not have a local distributor, please call the Blodgett Oven Company at 0011-802-860-3700.



The Australian Gas Association



GAS PIPING

A properly sized gas supply system is essential for maximum oven performance. Piping should be sized to provide a supply of gas sufficient to meet the maximum demand of all appliances on the line without loss of pressure at the equipment.

Example:

NOTE: BTU values in the following example are for natural gas.

You purchase a DFG-100 convection oven to add to your existing cook line.

- Add the BTU rating of your current appliances.

Pitco Fryer	120,000 BTU
6 Burner Range	60,000 BTU
Deck Oven	<u>50,000 BTU</u>
Total	230,000 BTU

- Add the BTU rating of the new oven to the total.

Previous Total	230,000 BTU
DFG-100	<u>55,000 BTU</u>
New Total	285,000 BTU

- Measure the distance from the gas meter to the cook line. This is the pipe length. Let's say the pipe length is 40' (12.2 m) and the pipe size is 1" (2.54 cm).

- Use the appropriate table to determine the total capacity of your current gas piping.

The total capacity for this example is 320,000 BTU. Since the total required gas pressure, 285,000 BTU is less than 320,000 BTU, the current gas piping will not have to be increased.

NOTE: The BTU capacities given in the tables are for straight pipe lengths only. Any elbows or other fittings will decrease pipe capacities. Contact your local gas supplier if you have any questions.

Maximum Capacity of Iron Pipe in Cubic Feet of Natural Gas Per Hour
(Pressure drop of 0.5 Inch W.C.)

Pipe Length (ft)	Nominal Size, Inches				
	3/4"	1"	1-1/4"	1-1/2"	2"
10	360	680	1400	2100	3950
20	250	465	950	1460	2750
30	200	375	770	1180	2200
40	170	320	660	990	1900
50	151	285	580	900	1680
60	138	260	530	810	1520
70	125	240	490	750	1400
80	118	220	460	690	1300
90	110	205	430	650	1220
100	103	195	400	620	1150

From the National Fuel Gas Code Part 10 Table 10-2

Maximum Capacity of Pipe in Thousands of BTU/hr of Undiluted L.P. Gas at 11" W.C.
(Pressure drop of 0.5 Inch W.C.)

Pipe Length (ft)	Outside Diameter, Inches		
	3/4"	1"	1-1/2"
10	608	1146	3525
20	418	788	2423
30	336	632	1946
40	287	541	1665
50	255	480	1476
60	231	435	1337
70	215	404	1241
80	198	372	1144
90	187	351	1079
100	175	330	1014

From the National Fuel Gas Code Part 10 Table 10-15



Installation

Gas Connection

PRESSURE REGULATION AND TESTING

DFG-100-3 ovens are rated at 55,000 BTU/Hr. (16.2 kW) (58 MJ) per section. DFG-200-L ovens are rated at 60,000 BTU/Hr. (17.6 kW) (63 MJ) per section. Each oven has been adjusted at the factory to operate with the type of gas specified on the rating plate.

Inlet Pressure				
	Natural		Propane	
	Min	Max	Min	Max
W.C.	7.0	10.5	11.0	13.0
kPa	1.742	2.61	2.74	3.23
Manifold Pressure				
	Natural		Propane	
	W.C.		10.0	
kPa		2.49		

- **Inlet Pressure** – the pressure of the gas before it reaches the oven.
- **Manifold Pressure** – the pressure of the gas as it enters the main burner(s).
- **Min** – the minimum pressure recommended to operate the oven.

- **Max** – the maximum pressure at which the manufacturer warrants the oven's operation.

Each oven is supplied with a regulator to maintain the proper gas pressure. **The regulator is essential to the proper operation of the oven and should not be removed.** It is preset to provide the oven with 3.5" W.C. (0.87 kPa) for natural gas and 10.0" W.C. (2.50 kPa) for Propane at the manifold.

DO NOT INSTALL AN ADDITIONAL REGULATOR WHERE THE OVEN CONNECTS TO THE GAS SUPPLY UNLESS THE INLET PRESSURE IS ABOVE MAXIMUM.

Prior to connecting the oven, gas lines should be thoroughly purged of all metal filings, shavings, pipe dope, and other debris. After connection, the oven should be checked for correct gas pressure.

The oven and its individual shutoff valve must be disconnected from the gas supply piping system during any pressure testing of that system at test pressures in excess of 1/2 psig (13.85" W.C., 3.45 kPa).

The oven must be isolated from the gas supply piping system by closing its individual manual shutoff valve during any pressure testing of the gas piping system at test pressures equal or less than 1/2 psig (13.85" W.C., 3.45 kPa).

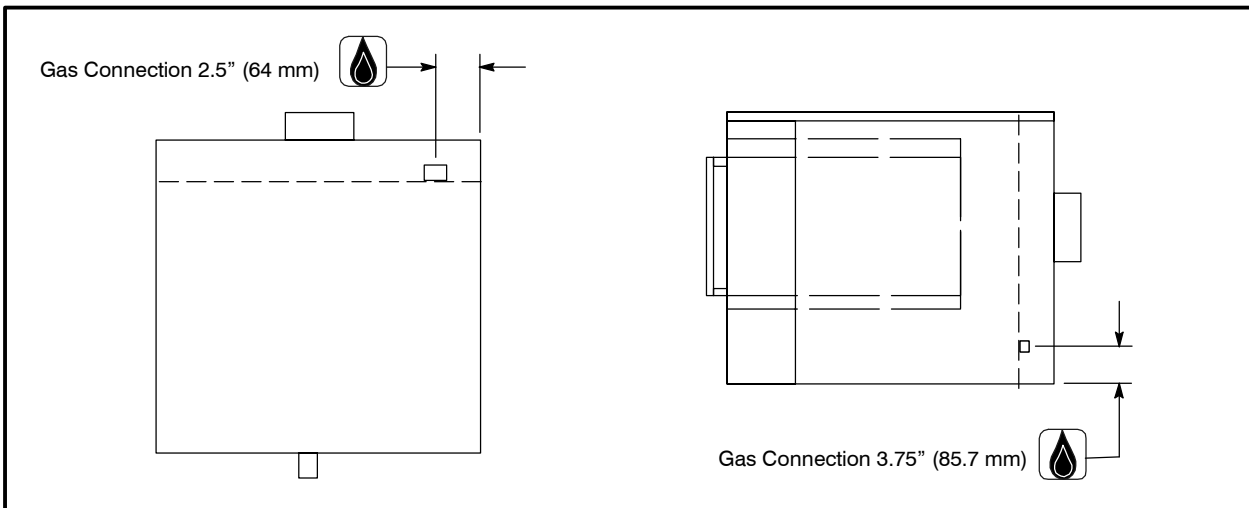


Figure 10



GAS HOSE RESTRAINT

If the oven is mounted on casters, a commercial flexible connector with a minimum of 3/4" (1.9 cm) inside diameter must be used along with a quick connect device.

The restraint, supplied with the oven, must be used to limit the movement of the unit so that no strain is placed upon the flexible connector. With the restraint fully stretched the connector should be easy to install and quick connect.

The restraint (ie: heavy gauge cable) should be 1,000 lb. (453 kg) test load and should be attached without damaging the building. **DO NOT** use the gas piping or electrical conduit for the attachment of the permanent end of the restraint! Use anchor bolts in concrete or cement block. On wooden walls, drive hi test wood lag screws into the studs of the wall.

1. Mount the supplied bracket to the leg bolt just below the gas inlet. See Figure 11.
2. Attach the clip on restraining cable to the mounting bracket.

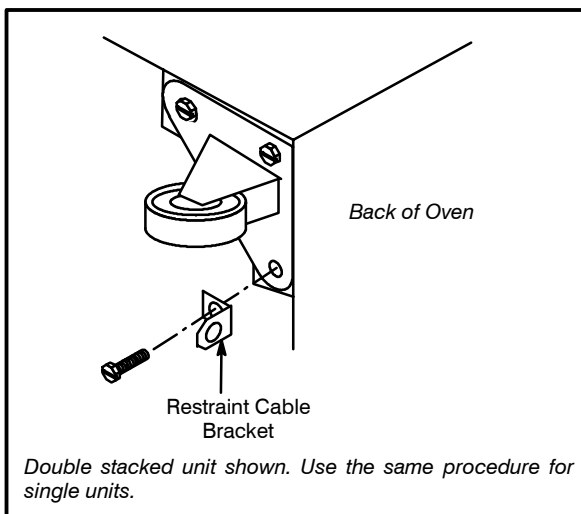


Figure 11



WARNING!!

If the restraint is disconnected for any reason it must be reconnected when the oven is returned to its original position.

U.S. and Canadian installations

The connector must comply with the *Standard for Connectors for Movable Gas Appliances, ANSI Z21.69* or *Connectors For Moveable Gas Appliances CAN/CGA-6.16* and a quick disconnect device that complies with the *Standard for Quick-Disconnect Devices for Use With Gas Fuel, ANSI Z21.41* or *Quick Disconnect For Use With Gas Fuel CAN 1-6.9*. Adequate means must be provided to limit the movement of the appliance without depending on the connection and the quick disconnect device or its associated piping.

Australie and general export installations

The restraint and quick connect must conform with Local and National installation standards. Local installation codes and/or requirements may vary. If you have any questions regarding the proper installation and/or operation of your Blodgett oven, please contact your local distributor. If you do not have a local distributor, please call the Blodgett Oven Company at 0011-802-860-3700.



Installation

Electrical Connection

Wiring diagrams are located in the control compartment and on the back of the oven.

This oven is supplied for connection to 115 volt grounded circuits. The electric motor, indicator lights and related switches are connected through the 6' electric supply cord found at the rear of the oven.



WARNING!!

This appliance is equipped with three prong grounding type plug for your protection against shock hazard and should be plugged directly into a properly grounded three prong receptacle. DO NOT cut or remove the grounding prong from this plug.

THE BLODGETT OVEN COMPANY CANNOT ASSUME RESPONSIBILITY FOR LOSS OR DAMAGE SUFFERED AS A RESULT OF IMPROPER INSTALLATION.

ELECTRICAL SPECIFICATIONS					
Model	Hz	Volts	Phase	Amps	Electrical Connection (minimum size)
U.S. and Canadian Installations					
DFG-100-3	60	115	1	6	Cord set provided
DFG-200-L	60	115	1	6	Cord set provided
Australia and General Export Installations					
DFG-100-3	50	220-240	1	3	Size per local code
DFG-200-L	50	220-240	1	3	Size per local code



The following is a check-list to be completed by qualified personnel prior to turning on the appliance for the first time.

- Open the manual shut-off valve at the rear of the oven.
- Remove the control panel and combustion covers.
- Turn the combination valve's manual shut-off to the on position.
- Turn the selector switch to Cook, and the thermostat to 500°F (260°C).

The oven main burner lights, and the Oven Ready Light comes on. With the main burner on, check the following.

- Verify there are no gas leaks, by checking all gas connections with a soapy water solution.
- Verify that the inlet pressure is correct. The inlet pressure can be checked at the pressure tap located on the combination valve's inlet side.
- Verify that the manifold pressure is correct. The manifold pressure can be checked at the pressure tap located on the manifold.
- If the above pressure readings are set to the recommended pressure requirements, allow the oven to burn-off for 2 hours. If the pressure readings are not set correctly, turn off the oven and readjust accordingly.



WARNING

The break in procedure burns off excess oils present in the metals during fabrication. Smoke may be produced. Proper ventilation is required.

ADJUSTMENTS ASSOCIATED WITH INITIAL INSTALLATION

Each oven, and its component parts, have been thoroughly tested and inspected prior to shipment. However, it is often necessary to further test or adjust the oven as part of a normal and proper installation. These adjustments are the responsibility of the installer, or dealer. Since these adjustments are not considered defects in material or workmanship, they are not covered by the Original Equipment Warranty. They include, but are not limited to:

- calibration of the thermostat
- adjustment of the doors
- burner adjustments
- leveling
- testing of gas pressure
- tightening of fasteners.

No installation should be considered complete without proper inspection, and if necessary, adjustment by qualified installation or service personnel.



Operation

Safety Information

THE INFORMATION CONTAINED IN THIS SECTION IS PROVIDED FOR THE USE OF QUALIFIED OPERATING PERSONNEL. QUALIFIED OPERATING PERSONNEL ARE THOSE WHO HAVE CAREFULLY READ THE INFORMATION CONTAINED IN THIS MANUAL, ARE FAMILIAR WITH THE FUNCTIONS OF THE OVEN AND/OR HAVE HAD PREVIOUS EXPERIENCE WITH THE OPERATION OF THE EQUIPMENT DESCRIBED. ADHERENCE TO THE PROCEDURES RECOMMENDED HEREIN WILL ASSURE THE ACHIEVEMENT OF OPTIMUM PERFORMANCE AND LONG, TROUBLE-FREE SERVICE.

Please take the time to read the following safety and operating instructions. They are the key to the successful operation of your Blodgett conveyor oven.



SAFETY TIPS

For your safety read before operating

What to do if you smell gas:

- DO NOT try to light any appliance.
- DO NOT touch any electrical switches.
- Use an exterior phone to call your gas supplier immediately.
- If you cannot reach your gas supplier, call the fire department.

What to do in the event of a power failure:

- Turn all switches to off.
- DO NOT attempt to operate the oven until the power is restored.

NOTE: In the event of a shut-down of any kind, allow a five (5) minute shut off period before attempting to restart the oven.

General safety tips:

- DO NOT use tools to turn off the gas control. If the gas cannot be turned off manually do not try to repair it. Call a qualified service technician.
- If the oven needs to be moved for any reason, the gas must be turned off and disconnected from the unit before removing the restraint cable. Reconnect the restraint after the oven has been returned to its original location.
- DO NOT remove the control panel cover unless the oven is unplugged.

CH-Pro3 (Solid State Programmable Digital Control)

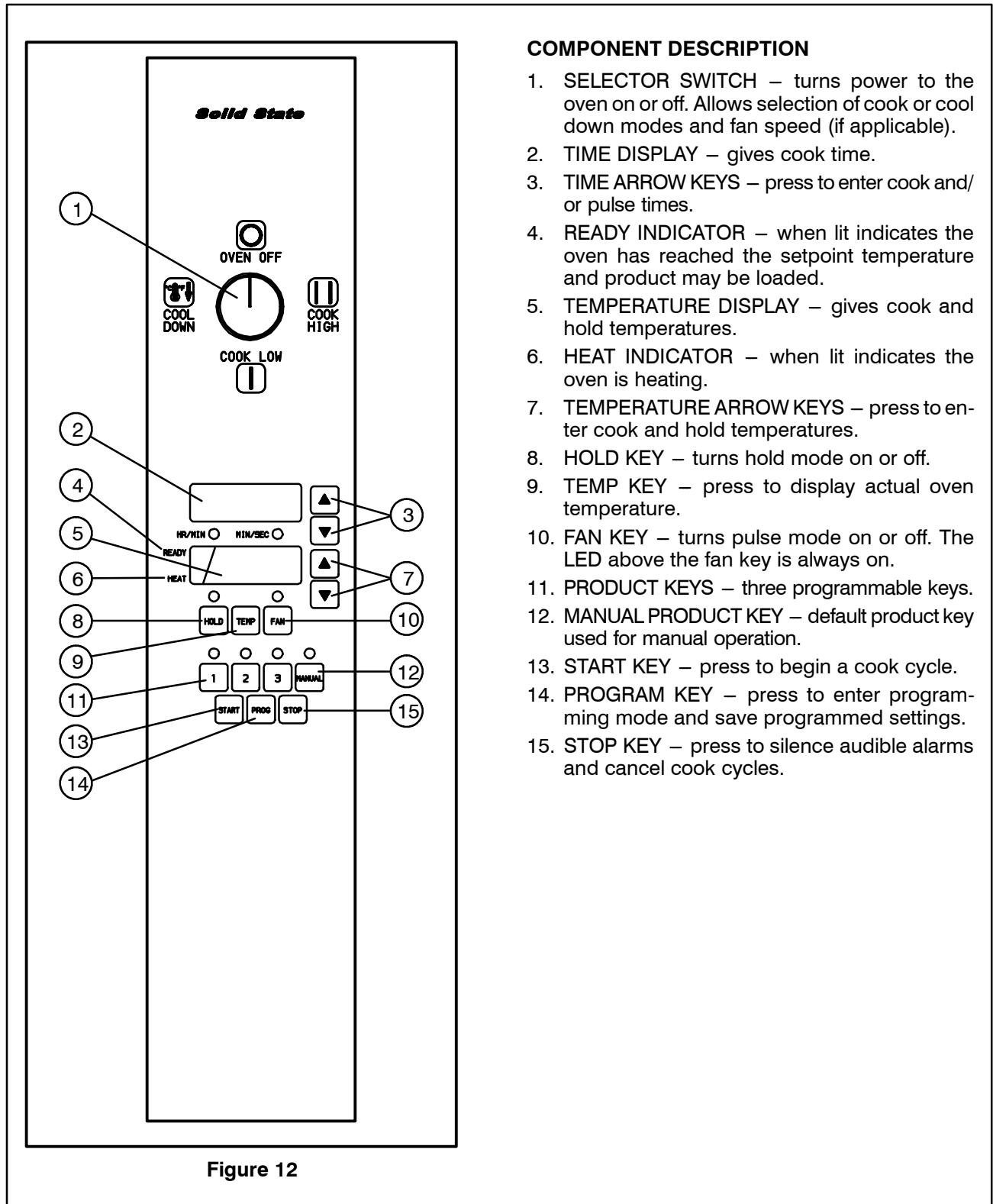


Figure 12

COMPONENT DESCRIPTION

1. SELECTOR SWITCH – turns power to the oven on or off. Allows selection of cook or cool down modes and fan speed (if applicable).
2. TIME DISPLAY – gives cook time.
3. TIME ARROW KEYS – press to enter cook and/or pulse times.
4. READY INDICATOR – when lit indicates the oven has reached the setpoint temperature and product may be loaded.
5. TEMPERATURE DISPLAY – gives cook and hold temperatures.
6. HEAT INDICATOR – when lit indicates the oven is heating.
7. TEMPERATURE ARROW KEYS – press to enter cook and hold temperatures.
8. HOLD KEY – turns hold mode on or off.
9. TEMP KEY – press to display actual oven temperature.
10. FAN KEY – turns pulse mode on or off. The LED above the fan key is always on.
11. PRODUCT KEYS – three programmable keys.
12. MANUAL PRODUCT KEY – default product key used for manual operation.
13. START KEY – press to begin a cook cycle.
14. PROGRAM KEY – press to enter programming mode and save programmed settings.
15. STOP KEY – press to silence audible alarms and cancel cook cycles.



Operation

CH-Pro3 (Solid State Programmable Digital Control)

MANUAL OPERATION

NOTE: Press the arrow keys to change the cook time and temperature at any point during manual operation.

Cook Only:

1. Turn the SELECTOR SWITCH (1) to the desired position.
2. Press the TIME ARROW KEYS (3) to enter the cook time.
3. Press the TEMPERATURE ARROW KEYS (7) to enter the cook temperature.
4. The READY INDICATOR (4) lights when the oven is at the set temperature. Load product into the oven.
5. Press the START KEY (13). The TIME DISPLAY (2) counts down. The manual key LED flashes.
6. When the cook time expires the LEDs and both displays flash and an audible alarm sounds. Press the STOP KEY (15) to silence the alarm.
7. Remove the product.

Cook with Hold:

1. Turn the SELECTOR SWITCH (1) to the desired position.
2. Press the TIME ARROW KEYS (3) to enter the cook time.
3. Press the TEMPERATURE ARROW KEYS (7) to enter the cook temperature.
4. Press and hold the HOLD KEY (8) then release. Use the TEMPERATURE ARROW KEYS (7) to enter the hold temperature. The hold key LED lights. Press the hold key again to exit the hold mode.
5. The READY INDICATOR (4) lights when the oven is at the set temperature. Load product into the oven.
6. Press the START KEY (13). The TIME DISPLAY (2) counts down. The manual key LED flashes.
7. When the cook time expires both displays flash and an audible alarm sounds for several

seconds then self cancels. The hold key LED flashes. The time display begins to count up while the oven cools to the hold temperature. When the oven reaches the hold temperature the time display resets to 00:00 then begins to count up the hold time. The fan cycles with heat demand in the hold mode.

8. Press the STOP KEY (15) to stop the timer.
9. Remove the product.
10. Push the HOLD KEY (8) to turn off hold mode.

Cook with Pulse:

1. Turn the SELECTOR SWITCH (1) to the desired position.
2. Press the TIME ARROW KEYS (3) to enter the cook time.
3. Press the TEMPERATURE ARROW KEYS (7) to enter the cook temperature.
4. Press the FAN KEY (10) for five seconds. The TEMPERATURE DISPLAY (5) goes blank. The fan key LED flashes. Use the TIME ARROW KEYS (3) to enter the pulse time.

NOTE: Pulse time is a portion of the cook time and does not increase the previously entered cook time.

5. Press the FAN KEY (10) again. The TEMPERATURE DISPLAY (5) lights.
6. The READY INDICATOR (4) in the temperature display lights when the oven is at the set temperature. Load product into the oven.
7. Press the START KEY (13). The manual key LED flashes. The TIME DISPLAY (2) counts down the cook time. The fan cycles on for 30 seconds then off for 30 seconds until the set pulse time has expired.
8. When the pulse time expires both displays flash and an audible alarm sounds. Press the STOP KEY (15) to silence the alarm.
9. Remove the product.

Oven Shut Down:

1. Turn the SELECTOR SWITCH (1) to *OVEN OFF*.

CH-Pro3 (Solid State Programmable Digital Control)

PROGRAMMING THE MANUAL KEY DEFAULT

1. Turn the SELECTOR SWITCH (1) to the desired position.
2. Press the MANUAL KEY (12). The manual and fan key LEDs light.
3. Press the TIME ARROW KEYS (3) to enter the cook time.
4. Press the TEMPERATURE ARROW KEYS (7) to enter the cook temperature.
5. **For Cook and Hold** – Press and hold the HOLD KEY (8). Use the TEMPERATURE ARROW KEYS (7) to enter the hold temperature. The hold key LED lights. Press the hold key again to exit the hold mode.
For Cook with Pulse – Press the FAN KEY (10). Use the TIME ARROW KEYS (3) to enter the pulse time. If no pulse is required, leave pulse time at 0:00. The fan key LED flashes. Press the fan key again to exit fan mode.
6. Press the PROGRAM KEY (14) to save the program settings.

MANUAL KEY DEFAULT OPERATION

1. Turn the SELECTOR SWITCH (1) to the desired position.
2. Press the MANUAL KEY (12). The applicable LEDs light.
3. Press the START KEY (13). The TIME DISPLAY (2) counts down. The manual key LED flashes.
NOTE: In Cook with Pulse the fan LED flashes.
NOTE: Press the arrow keys to change the cook time and temperature at any point during manual key operation.
4. When the cook time expires the applicable LEDs and both displays flash and an audible alarm sounds.
5. Press the STOP KEY (15) to silence the alarm.
NOTE: In Cook & Hold the alarm self cancels. The oven cools to the hold temperature and the time display counts up.
6. Remove the product.
7. Turn the SELECTOR SWITCH (1) to OFF to shut down the oven.

PROGRAMMING THE PRODUCT KEYS

1. Turn the SELECTOR SWITCH (1) to the desired position.
2. Press the desired PRODUCT KEY (11). The product and fan key LEDs light.
3. Press and hold the PROGRAM KEY (14) until the corresponding LED flashes, approximately five seconds.
4. Press the TIME ARROW KEYS (3) to enter the cook time.
5. Press the TEMPERATURE ARROW KEYS (7) to enter the cook temperature.
6. **For Cook and Hold** – Press and hold the HOLD KEY (8). Use the TEMPERATURE ARROW KEYS (7) to enter the hold temperature. The hold key LED lights. Press the hold key again to exit the hold mode.
For Cook with Pulse – Press the FAN KEY (10). Use the TIME ARROW KEYS (3) to enter the pulse time. If no pulse is required, leave pulse time at 0:00. The fan key LED flashes. Press the fan key again to exit the fan mode.
7. Press the PROGRAM KEY (14) to save the program settings.

PRODUCT KEY OPERATION

1. Turn the SELECTOR SWITCH (1) to the desired position.
2. Press the desired PRODUCT KEY (11). The applicable LEDs light.
3. Press the START KEY (13). The TIME DISPLAY (2) counts down. The product key LED flashes.
NOTE: In Cook with Pulse the fan LED flashes.
4. When the cook or pulse time expires the applicable LEDs and both displays flash and an audible alarm sounds.
5. Press the STOP KEY (15) to silence the alarm.
NOTE: In Cook and Hold the alarm self cancels. The oven cools to the hold temperature and the time display counts up.
6. Remove the product.
7. Turn the SELECTOR SWITCH (1) to OFF to shut down the oven.



Operation

Solid State Digital Control

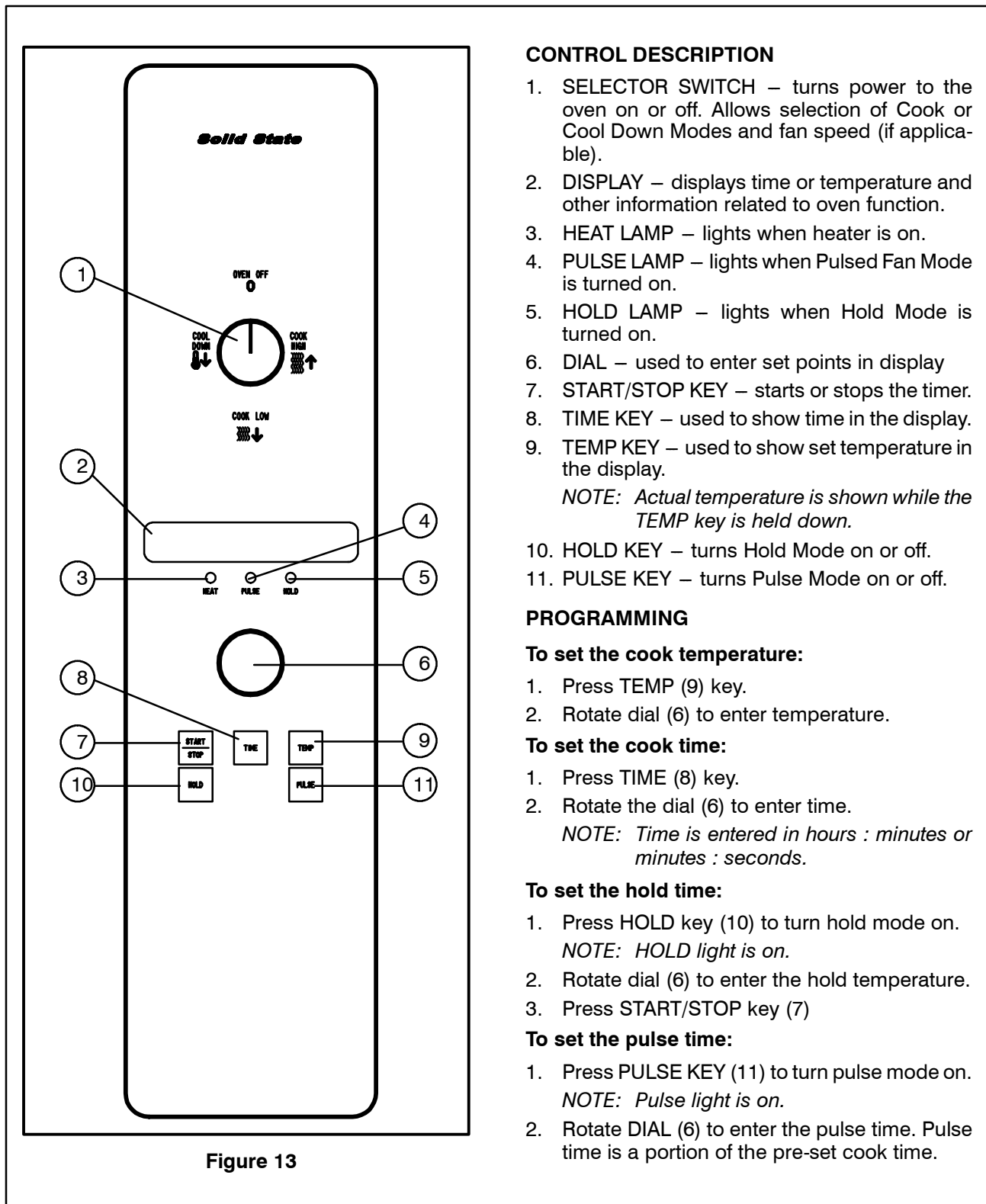


Figure 13

CONTROL DESCRIPTION

1. SELECTOR SWITCH – turns power to the oven on or off. Allows selection of Cook or Cool Down Modes and fan speed (if applicable).
2. DISPLAY – displays time or temperature and other information related to oven function.
3. HEAT LAMP – lights when heater is on.
4. PULSE LAMP – lights when Pulsed Fan Mode is turned on.
5. HOLD LAMP – lights when Hold Mode is turned on.
6. DIAL – used to enter set points in display
7. START/STOP KEY – starts or stops the timer.
8. TIME KEY – used to show time in the display.
9. TEMP KEY – used to show set temperature in the display.
NOTE: Actual temperature is shown while the TEMP key is held down.
10. HOLD KEY – turns Hold Mode on or off.
11. PULSE KEY – turns Pulse Mode on or off.

PROGRAMMING

To set the cook temperature:

1. Press TEMP (9) key.
2. Rotate dial (6) to enter temperature.

To set the cook time:

1. Press TIME (8) key.
2. Rotate the dial (6) to enter time.

NOTE: Time is entered in hours : minutes or minutes : seconds.

To set the hold time:

1. Press HOLD key (10) to turn hold mode on.
NOTE: HOLD light is on.
2. Rotate dial (6) to enter the hold temperature.
3. Press START/STOP key (7)

To set the pulse time:

1. Press PULSE KEY (11) to turn pulse mode on.
NOTE: Pulse light is on.
2. Rotate DIAL (6) to enter the pulse time. Pulse time is a portion of the pre-set cook time.



OPERATION

Cook Only:

1. Turn the SELECTOR switch (1) to the desired position.
2. Enter the cook time and temperature.
3. Load product into the oven.
NOTE: The display reads LOAD when the oven is near the set temperature.
4. Press the START/STOP key (7). The timer begins to count down.
5. When the cook timer reaches 00:00 the buzzer sounds and the display reads *DONE*.
6. Press the START/STOP key (7) to silence the buzzer.
7. Remove the product.

Cook with Hold:

NOTE: HOLD light is on when hold mode is on and off when hold mode is off.

1. Turn the SELECTOR switch (1) to the desired position.
2. Enter the cook time and temperature.
3. Press the HOLD key (10). Enter the hold temperature.
4. Load product into the oven.
NOTE: The display reads LOAD when the oven is near the set temperature.
5. Push the START/STOP (7) key. Timer begins to count down.
6. When the cook timer reaches 00:00 the buzzer sounds and the display reads *DONE*. The buzzer turns off after a few seconds. The display reads *HOLD* until the oven reaches the hold temperature. Then the timer begins to count up.
7. Push the START/STOP key (7) to stop timer.
8. Remove the product.
9. Push HOLD (10) key to turn off hold mode.

Cook with Pulse:

NOTE: PULSE light is on when pulse mode is on and off when pulse mode is off.

1. Turn the SELECTOR SWITCH (1) to the desired position.
2. Enter cook time and cook temperature.
3. Press PULSE KEY (11). Enter the pulse time.
NOTE: Pulse time is a portion of the cook time and does not increase the previously entered cook time.
4. Load product into the oven.
NOTE: The display reads LOAD when the oven is near the set temperature.
5. Push START/STOP KEY (7). The timer begins to count down the cook time. The oven will be in pulse mode for the set pulse time. Once the set time has expired, the unit will automatically switch to cook mode and continue counting down.
6. When the cook timer reaches 00:00 the buzzer sounds and the display reads *DONE*.
7. Push the START/STOP KEY (7) to turn the buzzer off.
8. Remove the product.



WARNING!!

A complete five minute shutdown must be observed before the oven is relighted.



Operation

Solid State Manual Control

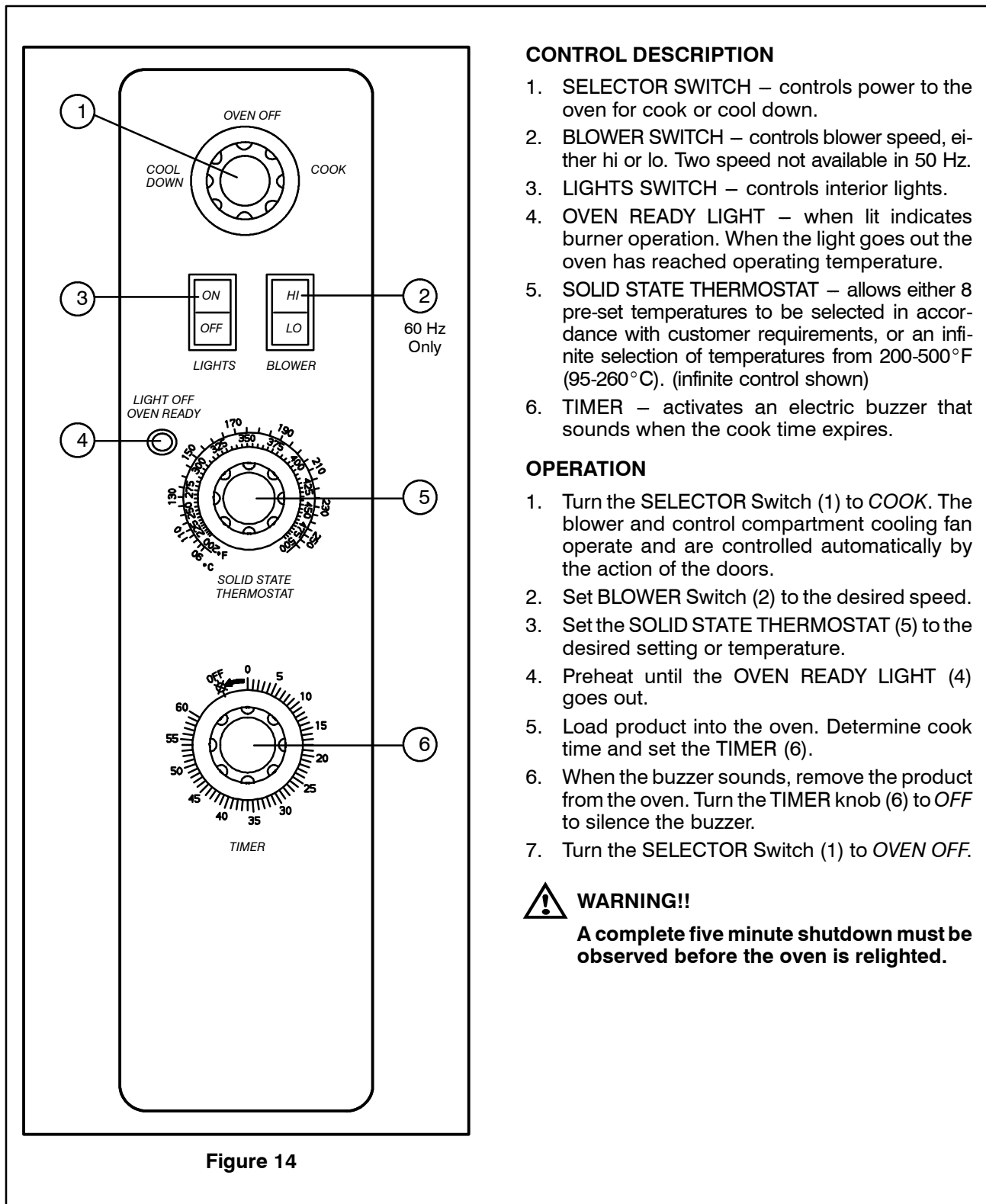


Figure 14

CONTROL DESCRIPTION

1. **SELECTOR SWITCH** – controls power to the oven for cook or cool down.
2. **BLOWER SWITCH** – controls blower speed, either hi or lo. Two speed not available in 50 Hz.
3. **LIGHTS SWITCH** – controls interior lights.
4. **OVEN READY LIGHT** – when lit indicates burner operation. When the light goes out the oven has reached operating temperature.
5. **SOLID STATE THERMOSTAT** – allows either 8 pre-set temperatures to be selected in accordance with customer requirements, or an infinite selection of temperatures from 200-500°F (95-260°C). (infinite control shown)
6. **TIMER** – activates an electric buzzer that sounds when the cook time expires.

OPERATION

1. Turn the **SELECTOR Switch (1)** to *COOK*. The blower and control compartment cooling fan operate and are controlled automatically by the action of the doors.
2. Set **BLOWER Switch (2)** to the desired speed.
3. Set the **SOLID STATE THERMOSTAT (5)** to the desired setting or temperature.
4. Preheat until the **OVEN READY LIGHT (4)** goes out.
5. Load product into the oven. Determine cook time and set the **TIMER (6)**.
6. When the buzzer sounds, remove the product from the oven. Turn the **TIMER knob (6)** to *OFF* to silence the buzzer.
7. Turn the **SELECTOR Switch (1)** to *OVEN OFF*.



WARNING!!

A complete five minute shutdown must be observed before the oven is relighted.

Blodgett IQ2™ Control

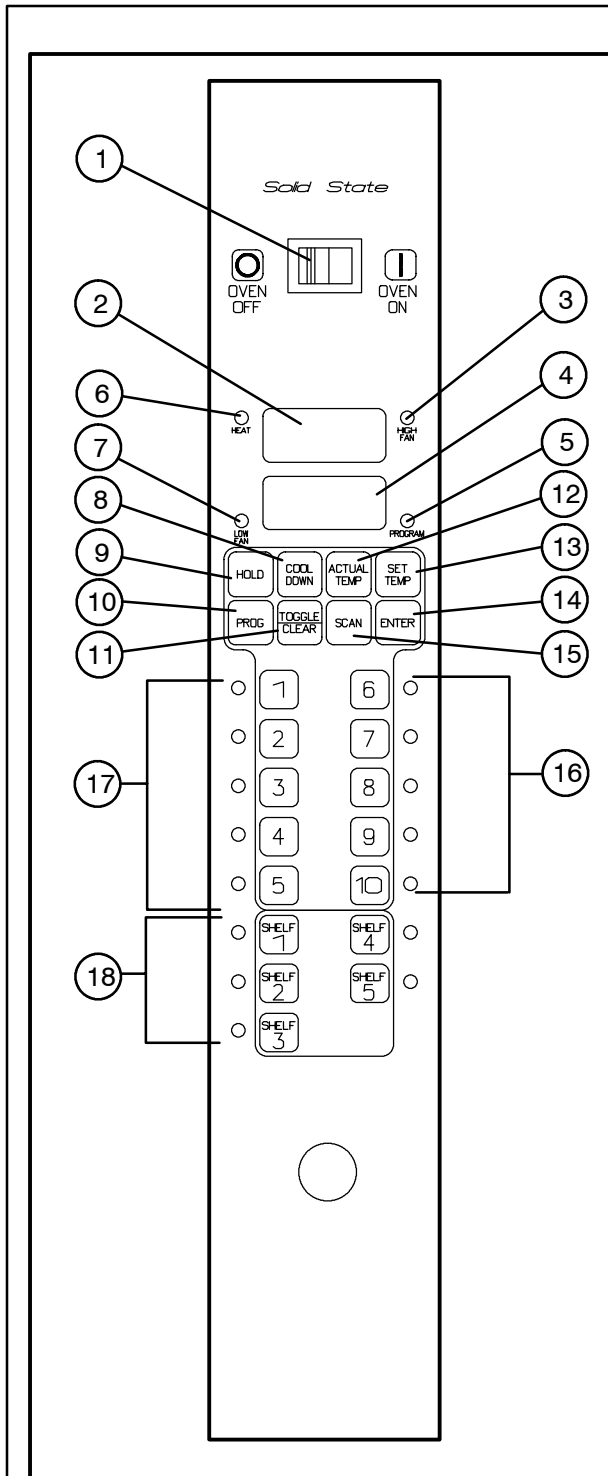


Figure 15

COMPONENT DESCRIPTION

1. OVEN POWER SWITCH – controls power to the oven.
2. TOP DISPLAY – displays temperature and other controller related information.
3. FAN HI LED – when lit indicates the fan is running at high speed.
4. BOTTOM DISPLAY – displays cook time and other controller related information.
5. PROG LED – when lit indicates the controller is in the programming mode.
6. HEAT LED – when lit indicates the control is calling for heat.
7. FAN LO LED – when lit indicates the fan is running at low speed.
8. COOL DOWN KEY – press to enter the cool down mode.
9. HOLD KEY – press to enter hold mode.
10. PROG KEY – press to enter the programming mode.
11. TOGGLE/CLEAR KEY – press during programming to toggle options.
12. ACT TEMP KEY – press to display the actual oven temperature.
13. SET TEMP KEY – press to display the programmed cook temperature for the current stage of the product key.
14. ENTER KEY – press to enter new values into product key programming. Also used to view recovery time.
15. SCAN KEY – completes the programming for the current parameter and advances the controller to the next parameter. Press to view time remaining on multiple cook cycles.
16. PRODUCT LEDS – when lit indicate which product keys are currently in use or programmed for the current oven temperature and fan speed.
17. PRODUCT KEYS – assigns a key to a programmed recipe and begins a programmed cooking process.
18. SHELF KEYS – assigns a shelf key.



Operation

Blodgett IQ2™ Control

OVEN OPERATION

Oven Startup:

1. Toggle the POWER SWITCH (1) to ON. The oven preheats to the lowest programmed first stage temperature. The LEDS (16) for all products with the same first stage temperature light. While the unit preheats the TOP DISPLAY (2) gives the set temperature. The BOTTOM DISPLAY (4) reads *Lo* if the oven is more than 10° below setpoint. When the oven reaches $\pm 10^\circ$ of the preheat temperature an alarm sounds and the bottom display reads *Ready*.

Single Product Cooking Procedure:

NOTE: If the led next to the desired product key is lit skip step 1.

1. Press the desired PRODUCT KEY (17). The oven preheats to the first stage temperature for the selected product. When the oven reaches $\pm 10^\circ$ of the preheat temperature an alarm sounds and the bottom display reads *Ready*.
2. Load the product into the oven. Press the desired PRODUCT KEY (17).

If the shelf timing function is toggled on for that product key, the top display reads *SHLF* and the bottom display reads the programmed product's time. Press a SHELF KEY (18) to assign the product to that shelf and start the cook cycle. The top display reads *SHLF*, the bottom display gives the shelf #. Within five seconds, the top display reads *SH-1*, the bottom display gives the remaining cook time.

If the shelf timing function is toggled off for that product key, pressing the product key will start the cook cycle. The TOP DISPLAY (2) reads ----. The BOTTOM DISPLAY (4) counts down the cook time in minutes: seconds.

NOTE: If the selected product has a cook time of greater than 59:59 the top display reads Hr-- for the total number of hours. The bottom display counts down the cook time in minutes:seconds.

NOTE: If the selected product is a single stage recipe the LEDS for all single stage products with the same cook tempera-

ture and fan speed will light. If the selected product is a multiple stage recipe no other product LEDS will light.

NOTE: Press and hold the selected product key for three seconds to cancel the cook cycle for normal operation. To cancel the cook cycle when using shelf timing, press and hold the SHELF KEY (18) for 3 seconds or press TOGGLE/CLEAR (11) and the corresponding shelf key.

3. When the cook time expires an alarm sounds and the top display reads *done*.
4. Press the selected product key to silence the alarm. Remove the product. If shelf timing is used, press the flashing SHELF KEY (18) to silence the alarm.

Multiple Batch Cooking Procedure:

This procedure is for single stage recipes with the same cook temperature and fan speed only.

NOTE: If the led next to the first desired product key is lit skip step 1.

1. Press the first desired PRODUCT KEY (17). The LEDS for all recipes with the same cook temperature and fan speed will light. The oven preheats to the cook temperature for the selected product. When the oven reaches $\pm 10^\circ$ of the preheat temperature an alarm sounds and the bottom display reads *Ready*.
2. Load the product into the oven. Press the desired PRODUCT KEY (17).

If the shelf timing function is toggled on for that product key, the top display reads *SHLF* and the bottom display reads the programmed product's time. Press a SHELF KEY (18) to assign the product to that shelf and start the cook cycle. The top display reads *SHLF*, the bottom display gives the shelf #. Within five seconds, the top display reads *SH-1*, the bottom display gives the remaining cook time.

If the shelf timing function is toggled off for that product key, pressing the product key will start the cook cycle. The TOP DISPLAY (2) reads ----. The BOTTOM DISPLAY (2) counts down the cook time in minutes: seconds.



3. Load the second product. Press the appropriate PRODUCT KEY (17). Press a SHELF KEY (18) to activate shelf timing.

NOTE: Only products with lighted LEDS may be selected.

4. The top display reads *SHLF*. The bottom display gives the numbers of the shelves that have been assigned. Within five seconds the shelf with the least amount of time remaining is displayed. The led for the product with the least time remaining flashes faster than the led for the other products.

NOTE: To view the remaining cook time for the other products press and hold the SCAN KEY (15). The bottom display cycles through the remaining cook times for each product. Only the led for the product with the cook time displayed will be lit.

5. When a cook time expires an alarm sounds. The top display reads *donE*. The led for the finished product lights. All other LEDS are dark.
6. Press the SHELF KEY (18) for the finished product to silence the alarm. Remove the product. Close the oven door. The TOP DISPLAY (2) reads *SH-X* for the shelf with the least amount of cook time. The BOTTOM DISPLAY (4) counts down the cook time for the other product.
7. When the cook time expires an alarm sounds and the top display reads *donE*.
8. Press the SHELF KEY (18) to silence the alarm. Remove the product.

Oven Cool Down:

1. Close the oven door. Press the COOL DOWN KEY (8).

NOTE: Cool down cannot be activated with the oven door open. Once the cool down cycle has begun the doors may be opened to speed the cooling process.



Operation

Blodgett IQ2™ Control

PROGRAMMING SINGLE STAGE RECIPES

Entering the Programming Mode:

1. Press and hold the PROG KEY (10). The top display reads *CodE*.
2. Use the product keys to enter the programming access code: 3 1 2 4. Press the ENTER KEY (14). The top display reads *Prod*.
3. Press the desired product key followed by the ENTER KEY (14).

NOTE: During the programming process you may: Press the TOGGLE/CLEAR KEY (11) to erase the current setting or toggle between specific settings. Press the SCAN KEY (15) to move to the next programming function keeping the current setting the same. Press the PROG KEY (10) to exit the programming mode.

Programming the Cook Time:

1. The top display reads P1:__. The bottom display gives the current programmed cook time for stage 1 in minutes:seconds. Press the TOGGLE/CLEAR KEY (11). Use the product keys to enter the new cook time. Press the ENTER KEY (14) to save the new cook time.
2. The top display reads P2:__. The control is asking for the cook time for stage 2 of this recipe. Press the TOGGLE/CLEAR KEY (11) to enter a time of 0:00:00 for P2:.

NOTE: This tells the controller that there are no more stages for this recipe. Once a single stage recipe has been established the control will only allow entries for one stage on all further parameters for this product.

3. Press the ENTER KEY (14) again. The top display reads P1:. The bottom display shows the cook time.
4. Press the SCAN KEY (15) to advance the programming mode to cook temperature.

Programming the Cook Temperature:

1. The top display reads *Ct-1*. The bottom display gives the current cook temperature. Use the product keys to enter the desired cook temperature.
2. Press the SCAN KEY (15) to advance the programming mode to fan speed.

Programming the Fan Speed:

1. The top display reads *SPd1*. The bottom display gives the current fan speed. Press the TOGGLE/CLEAR KEY (11). The bottom display toggles between *HI* and *Lo*.
2. Press the SCAN KEY (15) to advance the programming mode to the fan cycle time.

Programming the Fan Cycle Time:

There are 3 options for fan cycle time: Pulse, Heat and Full. Pulse allows the fan to turn on and off as programmed. Heat allows the fan to operate with heat only. Full provides continuous fan operation.

1. The top display reads *CYC1*. The bottom display gives the current fan cycle. Press the TOGGLE/CLEAR KEY (11). The bottom display toggles between *PULS*, *HEAt* and *FULL*.
2. If heat or full are selected press the SCAN KEY (15) to save the new fan cycle and advance to timing mode.

If pulse is selected press the SCAN KEY (15) and continue with Steps 3–4 to program the pulse cycle.

3. The top display reads *on-1*. The bottom display gives the current pulse on time. Use the product keys to enter the desired pulse on time from 10 to 60 seconds. Press the SCAN KEY (15).
4. The top display reads *of-1*. The bottom display gives the current pulse off time. Use the product keys to enter the desired pulse off time from 10 to 60 seconds. Press the SCAN KEY (15) to advance the programming mode to shelf mode.



Programming the Shelf ID:

The Shelf ID option can be turned on or off for specific product keys.

NOTE: Shelf ID is not allowed with multiple stage recipes.

1. The top display reads *SHLF*. The bottom display reads the current shelf ID mode. Press the TOGGLE/CLEAR KEY (11) to toggle between yes and no. Press the SCAN KEY (15) to advance the programming mode to timing.

Programming the Timing Mode:

There are 3 options for timing mode: Straight, Flex and Sensitivity.

1. The top display reads *tC-1*. The bottom display gives the current timing mode. Press the TOGGLE/CLEAR KEY (11) to toggle between *St*, *FL* and *SEns*.

NOTE: Sensitivity adjusts the cook time to compensate for any difference between the setpoint and actual temperature. The lower the sensitivity value the shorter the time adjustment. Sensitivity values are set in the manager level programming.

If Shelf ID is activated, all three timing modes are available. If Shelf ID is not activated, only straight or flex timing modes are available.

2. Press the SCAN KEY (15) to advance the programming mode to hold mode.

Programming Hold Mode:

The hold mode can be toggled on or off for specific product keys.

1. The top display reads *HOLD*. The bottom display reads the current hold mode. Press TOGGLE/CLEAR KEY (11) to toggle between on and off. Press the SCAN KEY (15).
2. If the hold mode is activated, the bottom display give the current hold time. Press the TOGGLE/CLEAR KEY (11). Use the product keys to enter the new hold time. Press the SCAN KEY (15).
3. The bottom display gives the current hold temperature. Press the TOGGLE/CLEAR KEY (11). Use the product keys to enter the new hold temperature from 140-210°F (60-99°C). Press the SCAN KEY (15).
4. The top display reads *HFAN* (hold fan speed). The bottom display gives the current hold fan speed setting. Press the TOGGLE/CLEAR KEY (11) to toggle between high and low. Press the SCAN KEY (15) to exit the hold mode programming.

Check all Settings (SEE Mode):

The SEE mode allows the operator to scroll through and view settings of a particular product key.

1. Press the PROG KEY (10). The top display reads *Code*.
2. Use the product keys to enter the SEE access code: 2 4 4 4. Press the ENTER KEY (14). The top display reads *SEE*.
3. Press the product key you wish to view. Press the ENTER KEY (14).
4. The control will automatically scroll through the programmable features showing the programmed values for each.

Exiting the programming mode:

1. The top display reads *Prod*. Press the PROG KEY (10). The control returns to operating mode.



Operation

Blodgett IQ2™ Control

PROGRAMMING MULTIPLE STAGE RECIPES

Entering the Programming Mode:

1. Press and hold the PROG KEY (10). The top display reads *CodE*.
2. Use the product keys to enter the programming access code: 3 1 2 4. Press the ENTER KEY (14). The top display reads *Prod*.
3. Press the desired product key followed by the ENTER KEY (14).

Programming the Cook Time:

NOTE: When multiple stage cooking is being used, the countdown time displayed during cooking is the sum of all stages.

1. The top display reads P1:__. The bottom display gives the current programmed cook time for stage 1 in minutes:seconds. Press the TOGGLE/CLEAR KEY (11). Use the product keys to enter the new cook time. Press the ENTER KEY (14) to save the new cook time.
2. The top display reads P2:__. The control is asking for the cook time for the second stage of this recipe. Repeat Step 1 for each additional stage.
3. When the cook times for all stages are programmed, press the TOGGLE/CLEAR KEY (11) to clear the bottom display.

NOTE: This tells the controller that there are no more stages for this recipe. Once the number of stages has been established the control will only allow entries for these stages on all further parameters for this product.

4. Press the ENTER KEY (14) again. The display reads P1:. The bottom display shows the cook time.
5. Press the SCAN KEY (15) to advance the programming mode to cook temperature.

Programming the Cook Temperature:

1. The top display reads *Ct-1*. The bottom display gives the current cook temperature for stage 1 of this recipe. Use the product keys to enter the desired cook temperature.
2. Press the ENTER KEY (14) to save the new cook temperature for stage 1. The top display reads *Ct-2*.

*NOTE: Repeat Steps 1-2 to program the cook temperature for additional stages. When the cook temperature for the final stage has been entered the top display reads *Ct-1*.*

3. Press the SCAN KEY (15) to advance the programming mode to fan speed

Programming the Fan Speed:

1. The top display reads *SPd1*. The bottom display gives the current fan speed. Press the TOGGLE/CLEAR KEY (11). The bottom display toggles between *Hi* and *Lo*.
2. Press the SCAN KEY (15) to advance the programming mode to the fan cycle time.



Programming the Fan Cycle Time:

There are 3 options for fan cycle time: Pulse, Heat and Full. Pulse allows the fan to turn on and off as programmed. Heat allows the fan to operate with heat only. Full provides continuous fan operation.

1. The top display reads *CYC1*. The bottom display gives the current fan cycle for stage 1. Press the TOGGLE/CLEAR KEY (11). The bottom display toggles between *PULS*, *HEAt* and *FULL*.

2. Press the ENTER KEY (14) to save the new fan cycle for stage 1. The top display reads *CYC2*.

NOTE: Repeat Steps 1–2 to program the fan cycle for additional stages.

3. When the fan cycle for the final stage has been entered press the SCAN KEY (15).

If no pulse cycles are programmed the control advances to timing mode.

If pulse is used, the control returns to the first stage programmed for the pulse fan option. Follow Steps 4–5 to program the pulse on and off time.

4. The top display reads *on–x*. The bottom display gives the current pulse on time for this stage. Use the product keys to enter the desired pulse on time from 10 to 60 seconds. Press the SCAN KEY (15).

5. The top display reads *of–x*. The bottom display gives the current pulse off time. Use the product keys to enter the desired pulse off time from 10 to 60 seconds. Press the SCAN KEY (15). The control advances to the next stage programmed for the pulse fan option.

NOTE: Repeat Steps 4–5 to program cycle times for all pulse fan stages. When the final pulse off time has been entered the control advances to timing mode.

Programming the Timing Mode:

*NOTE: It may be necessary to press the ENTER KEY (14) until the top display reads *tC–1*.*

There are 2 options for timing mode: Straight and Flex.

1. The top display reads *tC–1*. The bottom display gives the current timing mode. Press the TOGGLE/CLEAR KEY (11) to toggle between *St*, and *FL*.

2. Press the ENTER KEY (14) to save the new timing mode for stage 1. The top display reads *tC–2*.

NOTE: Repeat Steps 1–2 to program the timing mode for additional stages.

3. When the timing mode for the final stage has been entered press the SCAN KEY (15).

Programming Hold Mode:

The hold mode can be toggled on or off for specific product keys.

1. The top display reads *HOLD*. The bottom display reads the current hold mode. Press TOGGLE/CLEAR KEY (11) to toggle between on and off. Press the SCAN KEY (15).

2. The bottom display give the current hold time. Press the TOGGLE/CLEAR KEY (11). Use the product keys to enter the new hold time. Press the SCAN KEY (15).

3. The bottom display gives the current hold temperature. Press the TOGGLE/CLEAR KEY (11). Use the product keys to enter the new hold temperature from 140-210°F (60-99°C). Press the SCAN KEY (15).

4. The top display reads *HFAN* (hold fan speed). The bottom display gives the current hold fan speed setting. Press the TOGGLE/CLEAR KEY (11) to toggle between high and low. Press the SCAN KEY (15) to exit the hold mode programming.

Exiting the programming mode:

1. The top display reads *Prod*. Press the PROG KEY (10). The control returns to operating mode.



Operation

Blodgett IQ2™ Control

MANAGER LEVEL PROGRAMMING

Entering the programming mode

1. Press the PROG KEY (10). The top display reads *Code*.
2. Use the product keys to enter the programming access code: 4 5 1 2. Press the ENTER KEY (14). The top display reads *SYS*.

Programming hold

Hold allows product to be kept warm in the oven at a programmed time and temperature by pressing the HOLD KEY (9).

1. Press the SCAN KEY (15). The top display reads *Hold*. Press the TOGGLE/CLEAR KEY (11) to toggle between *YES* and *no*. Press the SCAN KEY (15).

If no is chosen:

- a.) Press the SCAN KEY (15) to advance to programming the setback mode.

If yes is chosen:

- a.) The top display reads *HOLD*. The bottom display gives the current hold time. Press the TOGGLE/CLEAR KEY (11). Use the product keys to enter a hold time from 0 to 9 hours. Press the SCAN KEY (15) to enter the new hold time (HR:MN)..
- b.) The top display reads *HOLD*. The bottom display gives the current hold temperature. Press the TOGGLE/CLEAR KEY (11). Use the product keys to enter a hold temperature from 140°F–210°F. Press the SCAN KEY (15) to enter the new hold temperature.
- c.) The top display reads *H FAn*. The bottom display gives the current fan mode. To change the fan mode press the TOGGLE/CLEAR KEY (11). The bottom display toggles between *Hi* and *Lo*. Press the SCAN KEY (15) to enter the new fan mode and continue with programming the setback mode.

Programming the setback mode

The setback mode operates as a power saving feature. After a period of non-use (the setback time) the oven temperature automatically decreases to the setback temperature. The oven will maintain this temperature until a product key is pressed. The minimum setback time is 20:00.

1. The top display reads *SEtb*. The bottom display gives the setback mode. To change the setback press the TOGGLE/CLEAR KEY (11). The bottom display toggles between *YES* and *no*. Press the SCAN KEY (15).

If no is chosen:

- a.) The controller advances to programming the temperature mode.

If yes is chosen:

- a.) The bottom display gives the current setback time. Press the TOGGLE/CLEAR KEY (11). Use the product keys to enter the desired setback time. Press the SCAN KEY (15) to enter the new setback time.
- b.) The bottom display gives the current setback temperature. Press the TOGGLE/CLEAR KEY (11). Use the product keys to enter a setback temperature from 140°F–300°F. Press the SCAN KEY (15) to enter the new setback and continue with programming the temperature mode.

Programming the temperature mode (°F or °C)

1. The top display reads *dEg*. The bottom display gives the units. To change the units press the TOGGLE/CLEAR KEY (11). The bottom display toggles between *F* and *C*.
2. Press the SCAN KEY (15) to enter the new temperature units and continue programming the shelf sensitivity.



Programming the shelf sensitivity

The controller allows the user to program a sensitivity value (0–9) for each shelf position. The sensitivity value will shorten or stretch cook time depending upon shelf position.

NOTE: SEN1 is the top shelf position, SEN5 is the bottom shelf position.

1. The display reads SEN1.
2. Press the TOGGLE/CLEAR KEY (11) to clear the current value to the desired value. Use the product key numbers to input a new sensitivity value.
3. Press the SCAN KEY (15) to advance to the next shelf position, SEN2.
4. Repeat steps 2–3 for all five shelf positions.

Exiting the programming mode

1. The top display reads SYS. Press the PROG KEY (10). The control returns to the operating mode.

ERROR CODES AND ALARMS

NOTE: The error codes will appear in the top display. All error codes are accompanied by an audible alarm.

Hi Oven temperature is more than 40°F above the highest setpoint.

Prob Probe failure.

HEAT ERR From a cool start (below 140°F), the oven takes more than 10 minutes to climb from 150-300°F. Press the TOGGLE/CLEAR KEY (11) to clear the prompt. This code indicates a problem with the system. Contact a service technician.

FAN ERR Indicates a fan failure during a call for heat. Press the TOGGLE/CLEAR KEY (11) to clear the alarm. The FAN ERR display remains active. Press the TOGGLE/CLEAR KEY (11) again to clear the message and return the system to normal operation. If condition persists turn off the oven and contact a service technician.

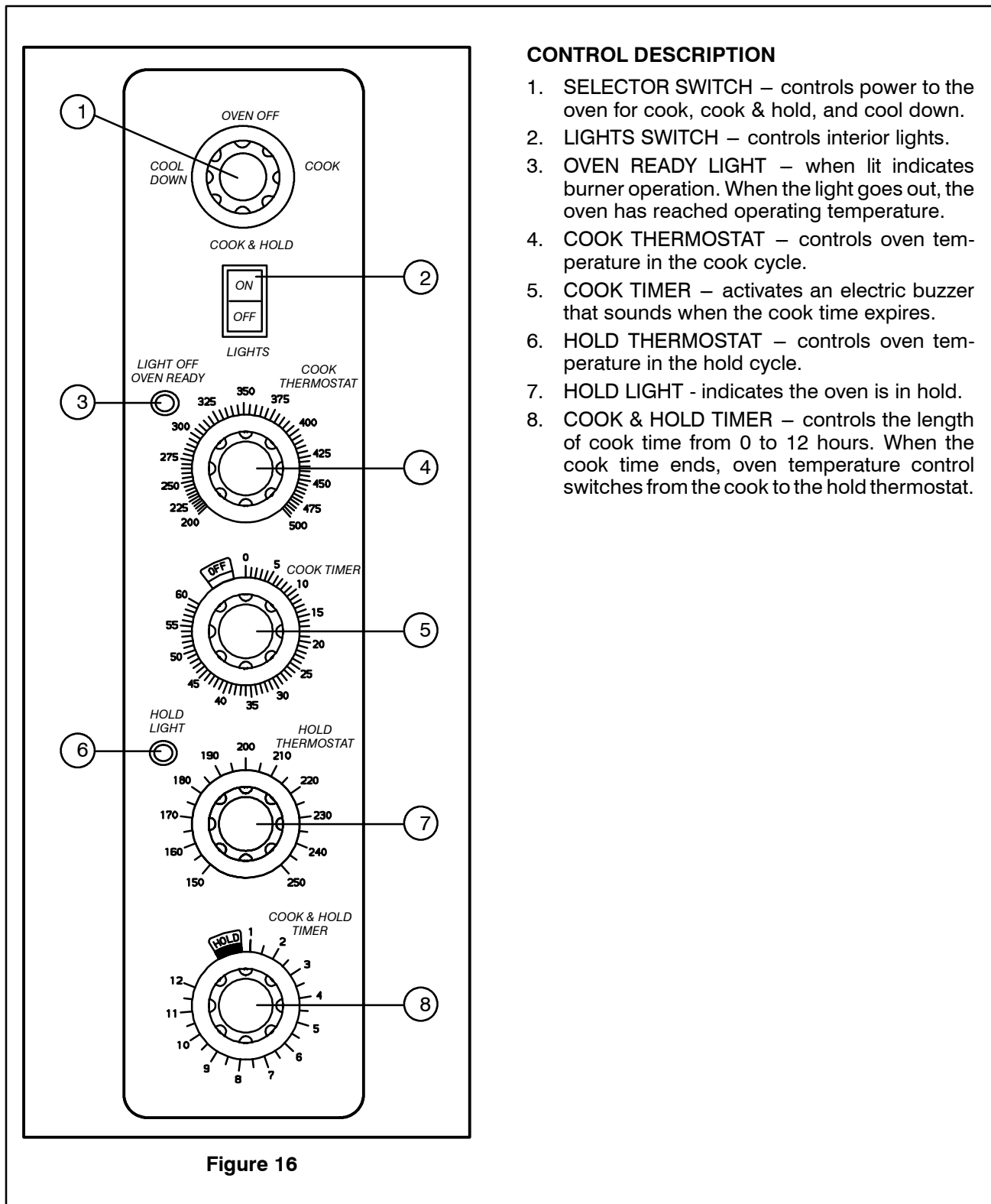
FANC ERR Indicates a contact failure has occurred in the fan control circuit. Press the TOGGLE/CLEAR KEY (11) to clear the alarm. The FANC ERR display remains active. Press the TOGGLE/CLEAR KEY (11) again to clear the message and return the system to normal operation. If condition persists turn off the oven and contact a service technician.

DOOR OPEN The controller senses the door is open. Close the door. If the door is closed contact a service technician.



Operation

Cook and Hold Control



CONTROL DESCRIPTION

1. SELECTOR SWITCH – controls power to the oven for cook, cook & hold, and cool down.
2. LIGHTS SWITCH – controls interior lights.
3. OVEN READY LIGHT – when lit indicates burner operation. When the light goes out, the oven has reached operating temperature.
4. COOK THERMOSTAT – controls oven temperature in the cook cycle.
5. COOK TIMER – activates an electric buzzer that sounds when the cook time expires.
6. HOLD THERMOSTAT – controls oven temperature in the hold cycle.
7. HOLD LIGHT - indicates the oven is in hold.
8. COOK & HOLD TIMER – controls the length of cook time from 0 to 12 hours. When the cook time ends, oven temperature control switches from the cook to the hold thermostat.

Figure 16



OPERATION

Cook Only:

1. Turn the SELECTOR SWITCH (1) to *COOK*. The blower and control compartment cooling fans operate and are controlled automatically by the action of the doors.
2. Set the COOK THERMOSTAT (4) to the desired temperature.
3. Preheat until the OVEN READY LIGHT (3) goes out.
4. Load product into the oven. Set the COOK TIMER (5) to the desired cook time.
5. When the buzzer sounds, remove the product. Turn the COOK TIMER (5) to *OFF* to silence the buzzer.
6. Turn the SELECTOR SWITCH (1) to *OVEN OFF*.

Cook and Hold:

1. Turn the SELECTOR SWITCH (1) to *COOK*. The blower and control compartment cooling fans operate and are controlled automatically by the action of the doors.
2. Set the COOK THERMOSTAT (4) to the desired cook temperature.
3. Set the HOLD THERMOSTAT (6) to the desired hold temperature.
4. Preheat the oven until the OVEN READY LIGHT (3) goes out.
5. Load product into the oven.
6. Turn SELECTOR Switch (1) to *COOK & HOLD*.
7. Set the COOK & HOLD TIMER (8) to the desired cook time.
8. When the cook time ends the oven switches to *HOLD* and the HOLD LIGHT (7) comes on.
9. The oven remains at the hold temperature until the product is removed and the oven is turned off.
NOTE: In the HOLD cycle, the blower goes on and off with the burner.
10. Turn the SELECTOR SWITCH (1) to *OVEN OFF*.

COOL DOWN

1. For COOL DOWN operation set the SELECTOR SWITCH (1) to *COOL DOWN*.



WARNING!!

A complete five minute shutdown must be observed before the oven is relighted.



Operation

Pulse Plus

CONTROL DESCRIPTION

1. SELECTOR SWITCH – controls power to the oven for cook or cool down.
2. BLOWER SWITCH – controls blower speed, either hi or lo. Two speed not available in 50 Hz.
3. LIGHTS SWITCH – controls interior lights.
4. AMBER FAN DELAY LIGHT – indicates the oven is in pulse plus.
5. FAN DELAY TIMER – activates pulse plus for 0–10 minutes. The blower and burners pulse on for 30 seconds and off for 30 seconds for the duration of time set.
6. RED INDICATOR LIGHT – indicates oven is in the cook timer cycle.
7. COOK TIMER – activates an electric buzzer that sounds when the cook time expires.
8. OVEN READY LIGHT – when lit indicates burner operation. When the light goes out, the oven has reached operating temperature.
9. SOLID STATE THERMOSTAT – allows either 8 pre-set temperatures to be selected in accordance with customer requirements, or an infinite selection of temperatures from 0-500°F (0-260°C). (infinite control shown)

OPERATION

1. Turn the SELECTOR Switch (1) to *COOK*.
2. Set the SOLID STATE THERMOSTAT (9) to the desired cook temperature.
3. Preheat the oven until the OVEN READY LIGHT (8) goes out.
4. Load product into the oven.
5. Set FAN DELAY TIMER (5) for the desired time for pulse plus operation.
6. Set the COOK TIMER (7) for the desired cook time.
7. When the buzzer sounds, remove product from the oven. Turn the TIMER (7) knob to *OFF* to silence the buzzer.
8. Turn the SELECTOR SWITCH (1) to *OVEN OFF*.

WARNING!!
A complete five minute shutdown must be observed before the oven is relighted.

Figure 17

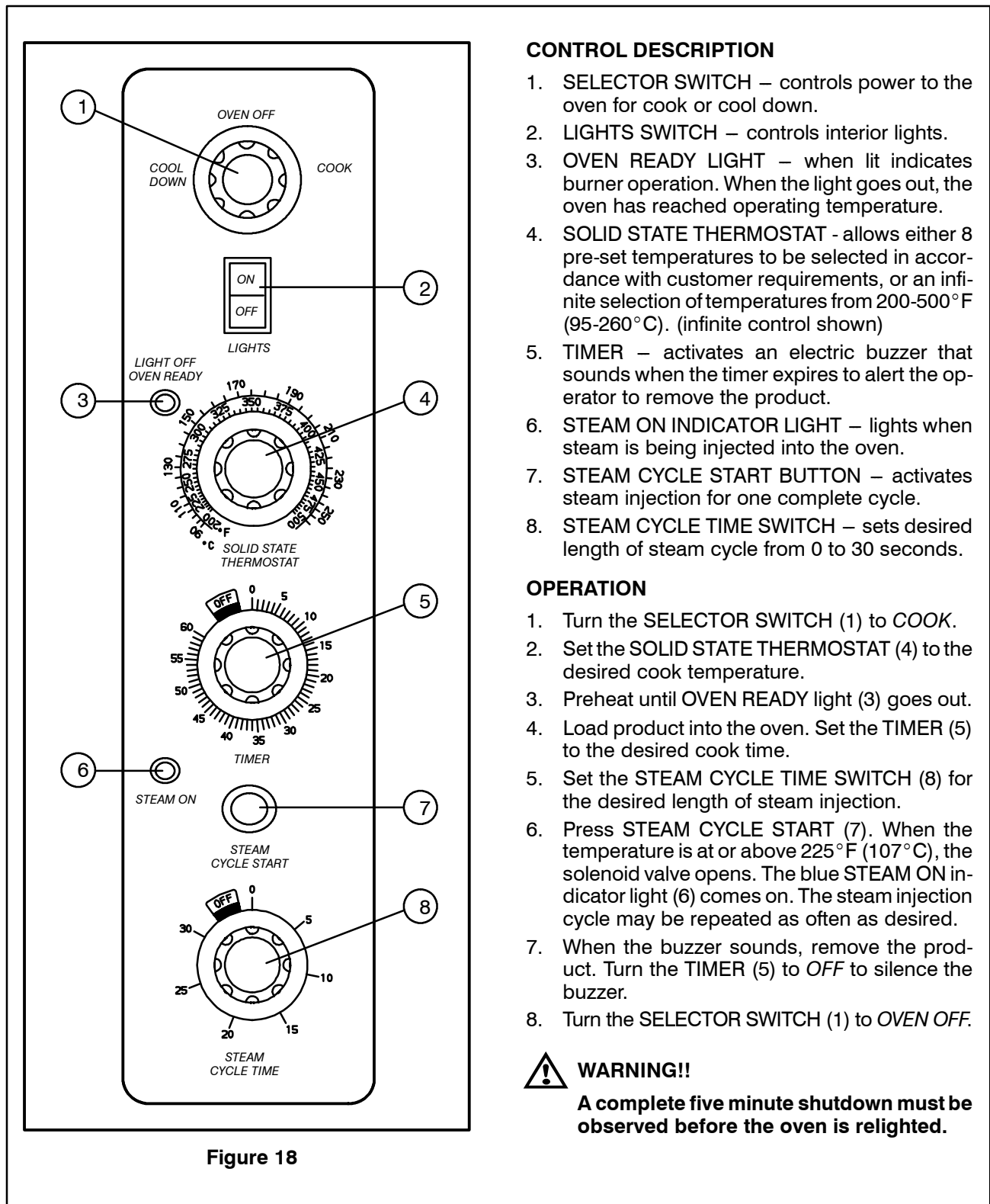


Figure 18



Operation

Intelliplus with Chain Event Control

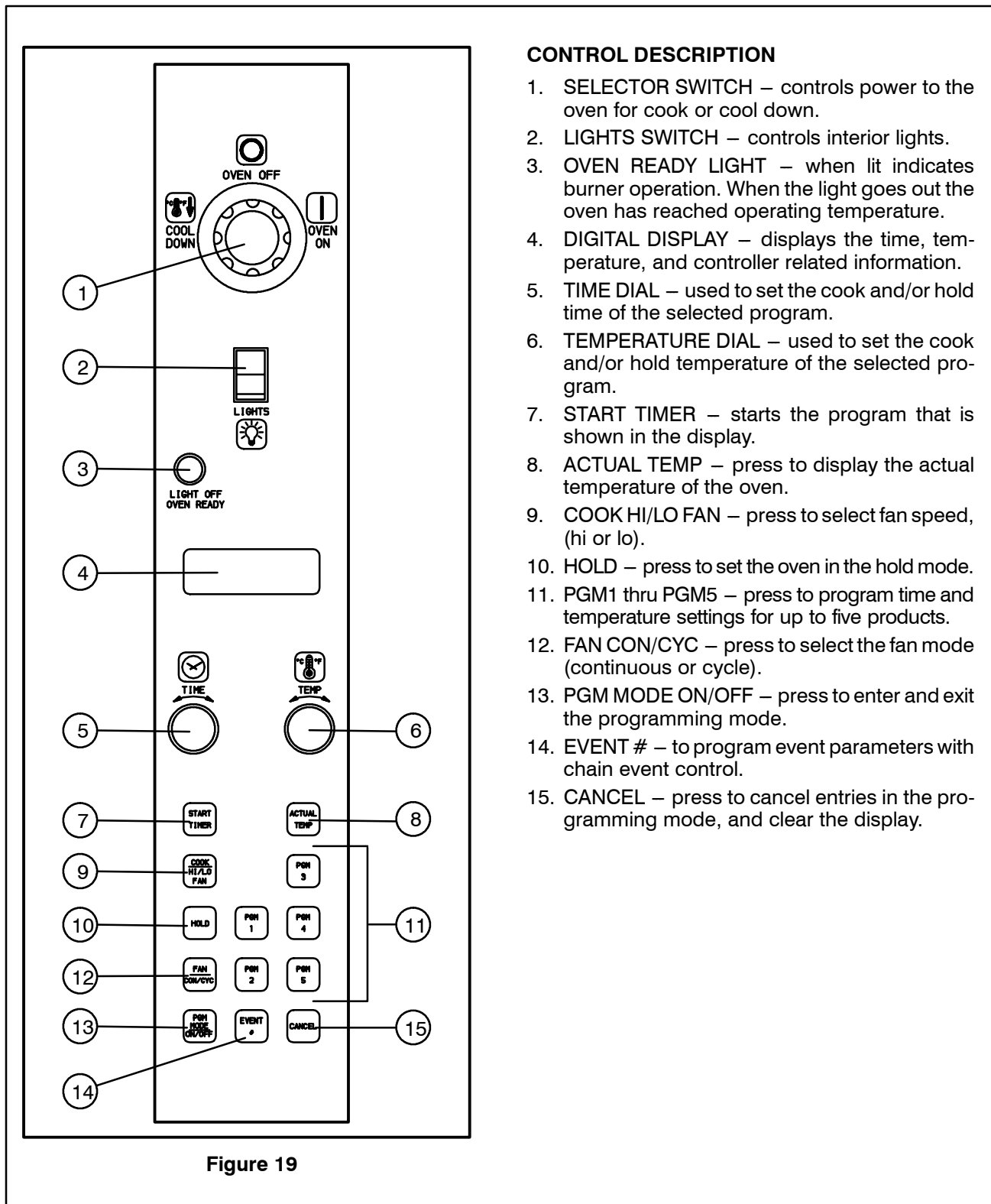


Figure 19

CONTROL DESCRIPTION

1. SELECTOR SWITCH – controls power to the oven for cook or cool down.
2. LIGHTS SWITCH – controls interior lights.
3. OVEN READY LIGHT – when lit indicates burner operation. When the light goes out the oven has reached operating temperature.
4. DIGITAL DISPLAY – displays the time, temperature, and controller related information.
5. TIME DIAL – used to set the cook and/or hold time of the selected program.
6. TEMPERATURE DIAL – used to set the cook and/or hold temperature of the selected program.
7. START TIMER – starts the program that is shown in the display.
8. ACTUAL TEMP – press to display the actual temperature of the oven.
9. COOK HI/LO FAN – press to select fan speed, (hi or lo).
10. HOLD – press to set the oven in the hold mode.
11. PGM1 thru PGM5 – press to program time and temperature settings for up to five products.
12. FAN CON/CYC – press to select the fan mode (continuous or cycle).
13. PGM MODE ON/OFF – press to enter and exit the programming mode.
14. EVENT # – to program event parameters with chain event control.
15. CANCEL – press to cancel entries in the programming mode, and clear the display.



Intelliplus with Chain Event Control

COOK OPERATION

1. Rotate the TEMPERATURE dial (6) to the desired cooking temperature from 150-500°F (66-260°C). Turn the dial clockwise to increase the temperature, counter-clockwise to decrease.
2. Press the COOK HI/LO FAN key (9) until the display (4) reads *HIFAN*. Press the key again to select the low speed fan. The display reads *LOFAN*.
3. Press the FAN CON/CYC key (12) until the display reads *FAN CON*. Press the key again for cycling fan operation. The display reads *FAN CYC*. The fan cycles on and off in 30 second intervals at the speed selected with the COOK HI/LO FAN (9) key.
4. Rotate the TIME (5) dial to the desired cook time from 5 seconds to 12 hours. Turn the dial clockwise to increase the cook time, counter-clockwise to decrease. When the time digits and the colon blink in the display, the cook cycle has been set but not started.
5. When the display reads the set temperature press the START TIMER key (7) to start the cook cycle. The time can be changed at any point during a timing cycle by rotating the TIME dial (5) clockwise or counter-clockwise. To cancel the countdown press the CANCEL key (15).
NOTE: To display the temperature within the oven, press and hold the ACTUAL TEMP key (8).
6. When the timer has counted down to 0, press the CANCEL key (15) to silence the alarm.

MANUAL COOK AND HOLD OPERATION

1. Rotate the TEMPERATURE dial (6) to the desired cook temperature from 150-500°F (66-260°C). Turn the dial clockwise to increase the temperature, counter-clockwise to decrease.
2. Press the COOK HI/LO FAN key (9). The display reads *HIFAN*. Press the key again to select the low fan speed. The display reads *LOFAN*.
3. Rotate the TIME dial (5) to the desired cook time. Turn the dial clockwise to increase the time, counter-clockwise to decrease.
4. Press the HOLD key (10). The display reads *HOLD*. Rotate the TEMPERATURE dial (6) to set the desired hold temperature.
5. Press the FAN CON/CYC key (12) to set the fan mode. If cycling fan is selected the CYC key remains lit.
NOTE: When FAN/CYC is selected in the hold mode the fan cycles on and off with the heating elements.
6. When the oven reaches the set temperature, press the START TIMER key (7) to start the cook cycle. The display flashes the fan speed then counts down the cook time. The hold key blinks until the cook time expires.
7. As the oven enters the hold mode the hold key remains lit. The timer begins counting up to indicate elapsed time. If cycling fan is selected the fan cycles on and off at low speed.
NOTE: If the desired hold temperature is lower than the actual oven temperature, the fan shuts off. The temperature digits blink until the oven temperature drops to the desired hold temperature.
8. To display the temperature within the oven, press and hold the ACTUAL TEMP key (8).
NOTE: Press the CANCEL key (15) at any time to cancel the current cycle.



WARNING!!

A complete five minute shutdown must be observed before the oven is relighted.



Operation

Intelliplus with Chain Event Control

CHAIN EVENT PROGRAMMING

NOTE: Program keys 1 and 2 can have up to six events. Program keys 3-5 can have up to 4 events.

1. Press the PGM MODE ON/OFF key (13) to enter the programming mode. *PGM* will blink. The normal operation of the oven is halted.
2. Press the desired PGM # key (11) to select an event chain to be programmed. The appropriate PGM # will blink and remain lit. Event #1 time and temperature are shown in the display. *E1* is displayed alternately with the temperature.
3. Rotate the TEMPERATURE dial (6) to set the temperature.
4. Select *LOFAN* or *HIFAN* by pressing the COOK HI/LO FAN key (9).
5. Select FAN CON or FAN CYC by pressing the FAN CON/CYC key (12). *CYC* remains lit if cycling fan is selected.
6. Rotate the TIME dial (5) to set the cook time.
NOTE: If the time is set to zero (0), the event is ignored.
7. Press the EVENT # key (14). Event #2 time and temperature are shown in the display. *E2* is displayed alternately with the temperature.
8. Set the desired temperature, fan speed, fan mode and time.
9. Press the EVENT # key (14) to proceed to the next event. Enter the event parameters as desired. If HOLD mode is desired, it must be the last event in any chain. Any events stored after a HOLD mode will be ignored.
10. To program another chain of events, press a different PGM # key (11) then press the EVENT # key (14).
11. Store as many as five (5) programs using all the PGM # keys.
12. Press PGM MODE ON/OFF (13) to exit the programming mode. *PGM #* disappears from the display and normal oven operation resumes.

To add new programs or to change the parameters of an existing program, repeat steps 1-12 as necessary.

SELECTING A PROGRAM

1. To select a program sequence, press the desired PGM # key (11). *PGM #* will be illuminated. At this time the oven begins to heat up to the cook temperature stored in the event #1 chain. *E1* is illuminated and the *E1* options are displayed. The amount of time displayed is the sum total time of all the programmed events.
2. Press the START TIMER key (7) to start a programmed sequence of events.
3. Press the EVENT # key (14) to display the time remaining in the current event chain. The time will remain displayed for approximately 5 seconds.
4. Press the ACTUAL TEMP key (8) to display the actual temperature within the oven.
5. Press the CANCEL key (15) to stop an active program sequence.



WARNING!!

A complete five minute shutdown must be observed before the oven is relighted.

Intellitouch II Control

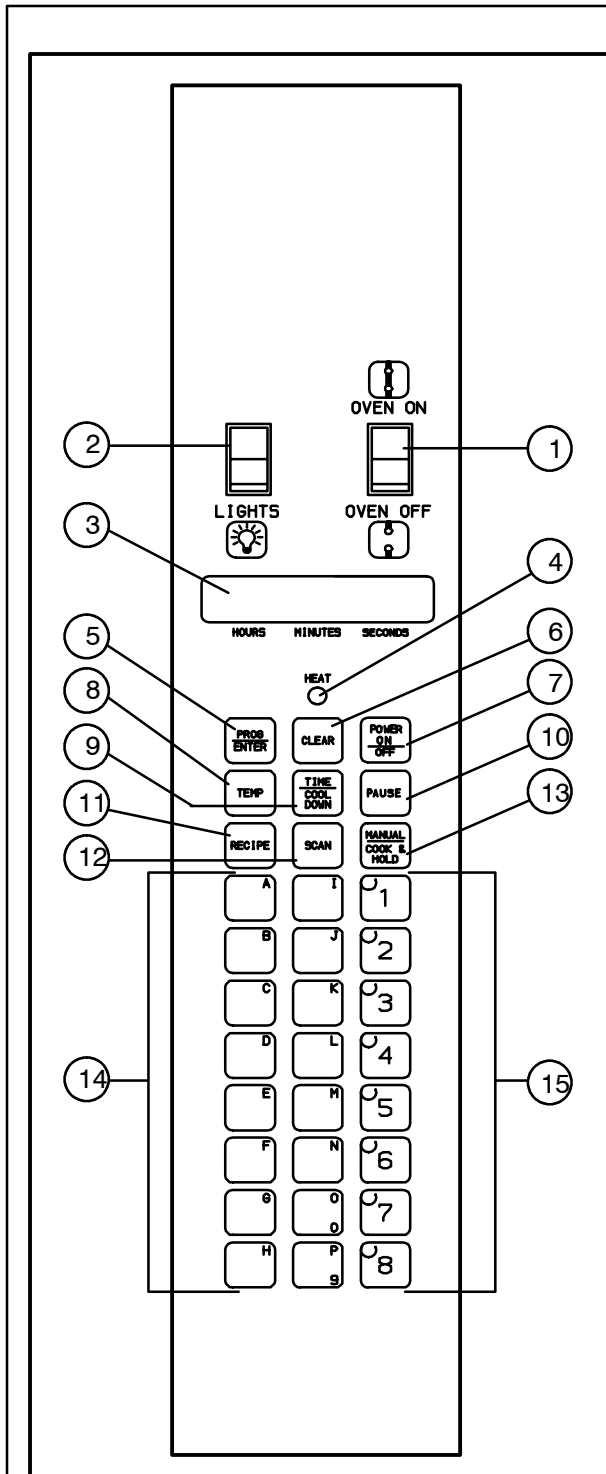


Figure 20

CONTROL DESCRIPTION

1. POWER ON SWITCH – controls power to the oven.
2. LIGHTS SWITCH – controls interior lights.
3. DISPLAY – displays controller related information.
4. HEAT LIGHT – illuminates when the oven is heating. When the light goes out, the oven has reached operating temperature.
5. PROG/ENTER – used to select the programming mode, cycles through the programming options and stores programmed values into memory. Starts timer in manual mode.
6. CLEAR – clears the selected mode and resets the controller to the select mode.
7. POWER ON/OFF – controls power to the Intellitouch computer controller.
8. TEMP – displays the set point and the oven's actual temperature.
9. TIME/COOL DOWN – sets the cook time when the controller is in manual mode. Starts the cool down fan when in select mode.
10. PAUSE – pauses a cook cycle.
11. RECIPE – displays the recipe program for a selected product key.
12. SCAN – displays the active product recipes.
13. MANUAL/ COOK & HOLD – sets the manual cook mode.
14. PRODUCT KEYS – assigns a key to a programmed recipe and begins a programmed cooking process.
15. SHELF/PROGRAM KEYS – used to enter numeric data during programming and shelf during single stage cooking.



Operation

Intellitouch II Control

PROGRAMMING PROCEDURE

NOTE: Use the shelf keys (15) to enter a numeric value. Use product keys (14) P for the numeral 9 and O for the numeral 0.

1. Set the POWER ON/OFF switch (1) to ON. The display reads OFF.
2. Press the POWER ON/OFF key (7) to power the controller. The display reads SELECT.
3. Press the PROG/ENTER key (5).
4. When the controller displays CODE-? enter the manager's code and press the PROG/ENTER key (5). The display reads -PROM-?.

NOTE: The manager's code prevents unauthorized entry to the program mode. The code must be entered to access the program mode. The factory default manager's code is BAKE. Keep a copy of the default code in a safe place for future reference.

5. When the display reads PROG-? press one of the product keys A thru P (14). The selected lamp lights.
6. When the display reads PRHEAT TEMP-? enter a numeric temperature. Press the PROG/ENTER key (5) to advance the controller.
7. When the controller displays CURVE-? COMP enter a two digit compensation curve. Press the PROG/ENTER key (5) to advance the controller. (Values 0 to 15).
8. When the controller displays TEMP-? STAGE 1 enter a cook temperature for the selected product. Press the PROG/ENTER key (5) to advance the controller.
9. When the controller displays TIME-? STAGE enter a cook time for the selected product. Press the PROG/ENTER key (5) to advance the controller.
10. Use any key to cycle the fan speed through HIGH, LOW, or OFF for the selected product. If high or low is selected the display reads MODE-?. Use any key to cycle the fan mode through CONT (continuous), CYCLE, or PULSE.

11. Repeat steps 8–10 for additional stages.

NOTE: If additional stages are not required, enter temperature of 0° to end programming.

12. When the controller displays SAVE PROD-? press the PROG/ENTER key (5) to save the product settings and return to the SELECT state.

NOTE: The oven will not preheat unless a program is activated or a temperature has been set in manual mode.

COMPENSATION CURVE

Compensation curves are mathematical algorithms that adjust the rate of the countdown timer to compensate for variations in oven temperature above or below that of the setpoint temperature. Compensation curves offset time for variable conditions that effect the oven temperature allowing for consistent results.

If the oven temperature is below the setpoint the control slows the speed of the countdown, so that the time to elapse 1 second on the computer is longer than an actual second. If the oven temperature is above the setpoint temperature the control increases the speed of the countdown, so that the time to elapse 1 second on the computer is shorter than an actual second.

Choosing a compensation curve

1. Develop a recipe for a specific product using the minimum load size and a compensation curve of 0. (i.e., no compensation, 1 second countdown = 1 second actual)
2. Use the maximum load size for your product. Enter a compensation curve of 7. Compare the results with those of a minimum load size.
3. If the maximum load size is lighter than the minimum load size, use a higher compensation curve value and retry. If the maximum load size is darker than the minimum load size, use a lower compensation curve value and retry. Repeat until the results of the maximum load match the minimum load.

MANUAL COOKING PROCEDURE

NOTE: Use the shelf keys (15) to enter a numeric value. Use product keys (14) P for the numeral 9 and O for the numeral 0.

1. Set the POWER ON switch (1) to the ON position.
2. When the control displays *SELECT* press the MANUAL/COOK & HOLD key (13) to enter manual mode. The control displays *MANUAL*.
3. Press the PROG/ENTER key (5) and then the TEMP key (8). When the control displays °F enter a cook temperature.
4. If the oven's actual temperature is less than the defined temperature, the control displays *WAIT LOW*. The control displays *WAIT HIGH* while the oven cools down if the oven's actual temperature is higher than the programmed temperature.
5. Press PROG/ENTER key (5) and then the TIME/COOL DOWN key (9). When the control displays ____ enter a cook time. Press the PROG/ENTER key (5). The control will begin to count down and start the cooking process.
6. Press the TEMP key (8) once to display the set point and press it again to display the actual temperature.
7. Press the CLEAR key (6) twice to return to select mode from the manual mode.
8. With the controller displaying *SELECT* press the TIME/COOL DOWN (9) key.

PROGRAMMED COOKING PROCEDURE

1. Press the POWER ON/OFF key (7) to set the controller to the select state.
2. With the controller displaying *SELECT*, press the desired PRODUCT KEY A through P (14).
3. The control displays *WAIT LOW* while the oven heats up if the oven's actual temperature is lower than the programmed temperature. The control displays *WAIT HIGH* while the oven cools down if the oven's actual temperature is higher than the programmed temperature. Press the desired product key to start the timer.

NOTE: If the product is a single stage/single shelf item, the shelf timer may be used by pressing the appropriate shelf number. If the product is batch loaded, the timer will start automatically.

4. The control displays *DONE* and a buzzer sounds. Press CLEAR (6) to silence the buzzer.
5. With the control displaying *SELECT* press the RECIPE key. When the control displays *PROD-?* press the desired PRODUCT KEY A through P (14). The display cycles through the programmed settings for the selected product. To advance the display manually press the SCAN key (12).



Operation

How Cook and Hold Works

With the optional COOK & HOLD feature, meat is roasted at lower temperatures for longer periods of time. This preserves flavor and tenderness and prevents over drying. There are three phases in cook and hold roasting.

- **Primary Cooking** – controlled by the COOK & HOLD TIMER. The meat is cooked at a low temperature until approximately 2/3 done.
- **Cooking from Stored Heat** – when the primary cook time expires, the oven automatically switches to HOLD. The product continues to cook from the heat stored in the oven. Meat must remain in the hold cycle for a minimum of 1-1/2 to 2 hours before being served.
- **Hold** – holds the product for several hours before serving without loss of moisture or tenderness.

All meat should be completely thawed by refrigeration. Using frozen meat increases the cook time causing shrinkage.

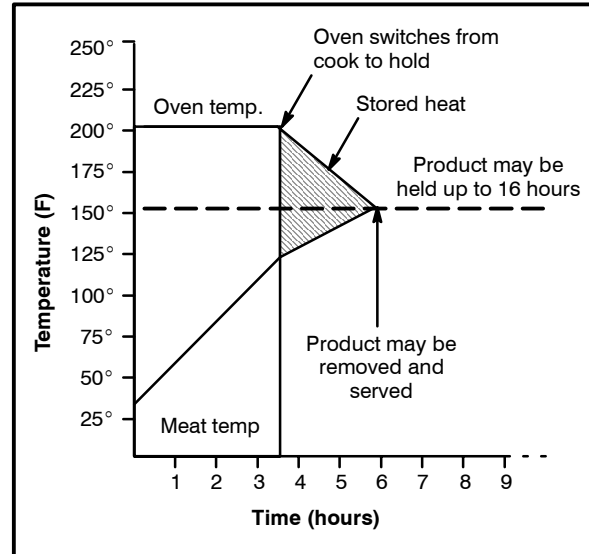


Figure 21

Product	Cook Temp.	Hold Temp.	Quantity	Cook Time (Hrs)	Min. Hold Time (Hrs)	Total Time (Hrs)
Prime rib, bone cap off 14-18 lbs. (6.4-8.1 kg)	200°F 93°C	140°F 60°C	1	3	1	4
			3	3-1/4	1-1/2	4-3/4
			6	3-1/2	2	5-1/2
Prime rib, bone cap on 14-18 lbs. (6.4-8.1 kg)	200°F 93°C	140°F 60°C	1	3-1/2	1	4-1/2
			3	4	1-1/2	5-1/2
			6	4-1/2	2	6-1/2
Top or bottom rounds 20-22 lbs. (9.1-10.0 kg)	200°F 93°C	140°F 60°C	1	3-1/2	1	4-1/2
			3	4	1-1/2	5-1/2
			6	4-1/2	2	6-1/2
Pork roast or ham 10-12 lbs. (4.5-5.4 kg)	250°F 121°C	170°F 76°C	2	4	1	5
			4	4-1/4	1-1/2	5-3/4
			6	4-1/2	2	6-1/2
Turkey 20-22 lbs. (9.1-10.0 kg)	250°F 121°C	170°F 76°C	1	3-1/4	1	4-3/4
			6	4	1-1/2	5-1/2
Leg of Lamb, bone in 8-10 lbs. (4.36-4.5 kg)	225°F 107°C	160°F 71°C	2	2-1/2	1	3-1/2
			4	2-3/4	1-1/2	4-1/4
			6	3	2	5

General Guidelines for Operating Personnel

COOK TIMES AND TEMPERATURES

Preheating the oven

Always preheat the oven before baking or roasting. We recommend preheating 50°F (10°C) above the cook temperature to offset the drop in temperature when the doors are opened and cold product is loaded into the oven. Set the thermostat to the cook temperature after the product is loaded.

NOTE: For frozen product, preheat the oven 100°F (38°C) above the cook temperature.

Cook Temperatures

Generally, cook temperatures should be 50°F (10°C) lower than deck or range oven recipes. If the edges of the product are done but the center is raw, or if there is color variation, reduce the thermostat setting another 15–25°F (10–15°C). Continue to reduce the cook temperature on successive loads until the desired results are achieved.

NOTE: Cooking at excessive temperatures will not reduce cook time, it will produce unsatisfactory baking and roasting results.

Cook Time

Check the product in about half the time recommended for deck or range oven recipes. Record times and temperatures which provide best results for future reference.

NOTE: Cook time will vary with the amount of product loaded, the type of pan and the temperature.

OPERATING TIPS

Pans and Racks

Product or pan height determines how many racks are used. The oven holds up to ten 18" x 26" (45.7 x 66.0 cm) bun pans.

Load the oven from the bottom, centering the pans on the rack. Never place a pan or aluminum foil on the bottom of the oven. This obstructs the flow of air and results in uneven baking and roasting.

Roasting

To reduce shrinkage when roasting, place meat directly on the racks. Place a sheet pan one-half full of water in the bottom rack position. The water evaporates, increasing humidity in the oven chamber. The pan catches grease from the meat, making oven cleaning easier.

Baking

Weigh the product to ensure equal distribution in each pan. Varying amounts of product will cause uneven baking results.

Fans

The fan must be operating for the oven to heat. Use the Pulse Plus feature to allow light or liquid product to set in the pan and to avoid rippling towards the fan. If your oven is not equipped with this feature use the following procedure.

1. Preheat the oven 25°F (15°C) above the baking temperature.
2. Load the oven with product. Close the doors.
3. Set the thermostat to the baking temperature.
4. Turn the oven off.
5. Allow the product to set for 5–7 minutes with the fan off. The residual heat in the oven sets the product.
6. Turn the oven on for the remainder of the bake.

Lights

Turn the oven lights off when not viewing the product. Leaving the lights on for extended periods of time shortens the bulb life considerably.



Operation

Suggested Times and Temperatures

Product	Temperature	Time	# Shelves
Meats			
Hamburger Patties (5 per lb)	400°F (205°C)	8-10 mins.	10
Steamship Round (80 lb. quartered)	275°F (135°C)	2 hrs 45 mins.	2
Standing Rib Choice (20 lbs, trimmed, rare)	235°F (115°C)	2 hrs 45 mins.	2
Banquet Shell Steaks (10 oz. meat)	450°F (235°C)	7-8 mins.	5
Swiss Steak after Braising	275°F (135°C)	1 hr.	5
Baked Stuffed Pork Chop	375°F (190°C)	25-30 mins.	5
Boned Veal Roast (15 lbs.)	300°F (150°C)	3 hrs. 10 mins.	2
Lamb Chops (small loin)	400°F (205°C)	7-8 mins.	5
Bacon (on racks in 18" x 26" pans)	400°F (205°C)	5-7 mins.	10
Poultry			
Chicken Breast & Thigh	350°F (175°C)	40 mins.	5
Chicken Back & Wing	350°F (175°C)	35 mins.	5
Chicken (2 ¹ / ₂ lbs. quartered)	350°F (175°C)	30 mins.	5
Turkey Rolled (18 lb. rolls)	310°F (155°C)	3 hrs 45 mins.	3
Fish and Seafood			
Halibut Steaks, Cod Fish (frozen 5 oz)	350°F (175°C)	20 mins.	5
Baked Stuffed Lobster (2 ¹ / ₂ lb.)	400°F (205°C)	10 mins.	3
Lobster Tails (frozen)	425°F (220°C)	9 mins.	5
Cheese			
Macaroni & Cheese Casserole	350°F (175°C)	30 mins.	5
Melted Cheese Sandwiches	400°F (205°C)	8 mins.	10
Potatoes			
Idaho Potatoes (120 ct.)	400°F (205°C)	50 mins.	5
Oven Roasted Potatoes (sliced or diced)	325°F (165°C)	10 mins.	5
Baked Goods			
Frozen Berry Pies (22 oz)	325°F (150°C)	35 mins.	5 (30 pies)
Fresh Apple Pie (20 oz.)	350°F (175°C)	25-30 mins.	5 (30 pies)
Pumpkin Pies (32 oz.)	300°F (150°C)	30-50 mins.	5 (20 pies)
Fruit Crisp	300°F (150°C)	25 mins.	5
Bread (24 - 1 lb. loaves)	325°F (155°C)	30 mins.	3
Southern Corn Bread	375°F (190°C)	15-20 mins.	5
Baking Soda Biscuits	400°F (205°C)	6 mins.	5
Brown & Serve Rolls	350°F (175°C)	15 mins.	5
Sheet Cakes (5 lb. mixed batter per pan)	325°F (160°C)	16-18 mins.	5
Chocolate Cake	325°F (160°C)	20 mins.	5
Brownies	325°F (150°C)	15 mins.	5

NOTE: Actual times and temperatures may vary considerably from those shown above. They are affected by weight of load, temperature of the product, recipe, type of pan and calibration of thermostat. Should your recipe vary, write in your proven time and temperature for ready reference.



Cleaning and Preventative Maintenance

CLEANING THE OVEN

Painted and stainless steel ovens may be kept clean and in good condition with a light oil.

1. Saturate a cloth, and wipe the oven when it is cold.
2. Dry the oven with a clean cloth.

On the stainless front or interiors, deposits of baked on splatter may be removed with any non-toxic industrial stainless steel cleaner. Heat tint and heavy discoloration may be removed with any non-toxic commercial oven cleaner.

1. Apply cleaners when the oven is cold. Always rub with the grain of the metal.

The porcelain interior can be cleaned with any commercial oven cleaner. Be sure caustic cleaning compounds DO NOT come in contact with the blower wheel and the aluminized steel panel directly behind it.

1. Remove the racks, rack supports and blower wheel from the oven.
2. Soak the parts in a solution of ammonia and water.
3. Reinstall after cleaning.

NOTE: If the oven is moved the restraint must be reconnected after the unit is returned to its regular position.

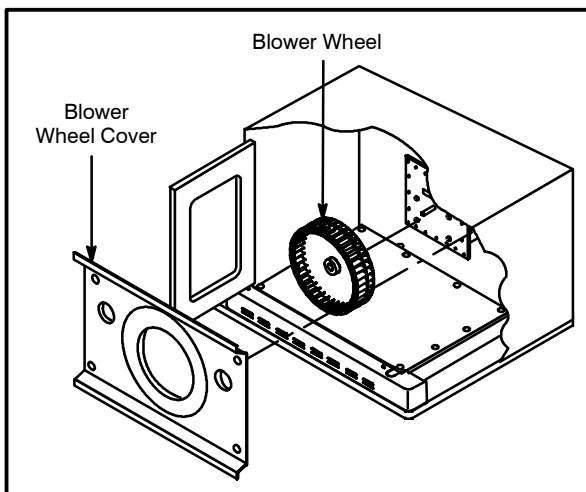


Figure 22

PREVENTATIVE MAINTENANCE

The best preventative maintenance measures are, the proper installation of the equipment and a program for routinely cleaning the ovens.

Annual Maintenance

This oven requires no lubrication, however, the venting system should be checked annually for possible deterioration resulting from moisture and corrosive flue products.

If maintenance or repairs are required, contact your local Blodgett service company, a factory representative or the Blodgett Oven company.



WARNING!!

Always disconnect the appliance from the power supply before servicing or cleaning.



Maintenance

Troubleshooting Guide

POSSIBLE CAUSE(S)	SUGGESTED REMEDY
SYMPTOM: Oven will not fire.	
<ul style="list-style-type: none"> • Gas turned off. • Oven not plugged in. • Power switch on the control panel is off. • Control set below ambient temperature. • Doors are open. • Computerized controls – error code on display. 	<ul style="list-style-type: none"> • Turn the gas valve to ON. • Plug in electrical supply cord. • Set the control panel to COOK or OVEN ON. • Set to desired cook temperature. • Close doors. • *
SYMPTOM: Oven does not come to ready.	
<ul style="list-style-type: none"> • The oven has not reached preheat temperature. • Gas valve not turned on completely. • The quick disconnect is not connected. • Gas pressure to oven is too low. • Fan delay feature may be activated, if applicable. • Internal problem with main temperature control. 	<ul style="list-style-type: none"> • Wait for oven to reach preheat temperature. • Check the gas valve, turn on fully if necessary. • Reconnect the quick connect. Check all gas connections. • Call your local gas representative. • Deactivate fan delay feature. • *
SYMPTOM: Convection fan does not run.	
<ul style="list-style-type: none"> • Oven is not plugged in. • Oven is not set to the cook mode. • Circuit breaker tripped. • Fan delay feature may be activated, if applicable. • Doors are open 	<ul style="list-style-type: none"> • Plug in electrical supply cord. • Set the control panel to COOK or OVEN ON. • Reset the breaker. • Deactivate fan delay feature. • Close doors.
SYMPTOM: General baking problems.	
<ul style="list-style-type: none"> • Computerized controls – incorrect product programming. • Thermostat out of calibration. • Improper oven venting. 	<ul style="list-style-type: none"> • Reprogram control per Operation section. • * • *
<p>*Denotes remedy is a difficult operation and should be performed by qualified personnel only. It is recommended, however, that All repairs and/or adjustments be done by your local Blodgett service agency and not by the owner/operator. Blodgett cannot assume responsibility for damage as a result of servicing done by unqualified personnel.</p>	



WARNING!!

Always disconnect the power supply before cleaning or servicing the oven.

DFG-100 et DFG-200
Fours à Convection
Manuel D'Installation – Utilisation – Entretien

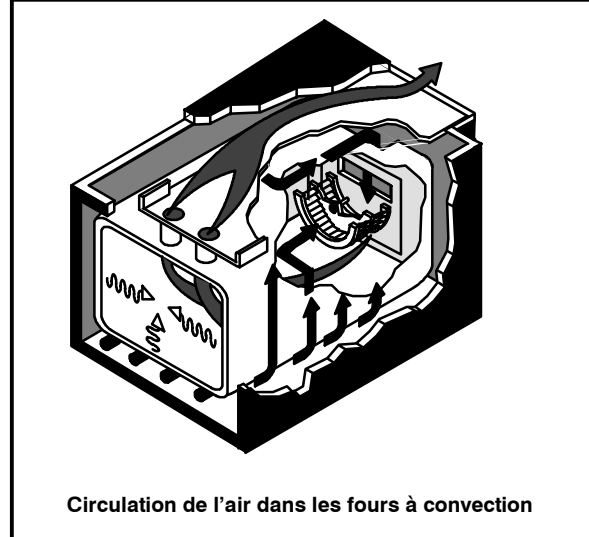


Introduction

Description et Spécifications du Four

La cuisson dans un four à convection diffère de la cuisson dans un four de cuisine ordinaire en ce sens que de l'air chaud circule en permanence autour de l'aliment cuit, sous l'effet d'un ventilateur enfermé dans une enceinte spéciale. Le mouvement continu de l'air, en éliminant constamment la couche d'air froid qui se formerait autrement autour de l'aliment, permet la pénétration plus rapide de la chaleur. Il en résulte un aliment de qualité comparable à ceux préparés dans un four ordinaire, mais cuit à température inférieure et en moins de temps.

Le four à convection représente ce qu'il y a de plus perfectionné en termes de rendement énergétique, de fiabilité et de facilité d'emploi. Comme la source thermique se trouve à l'intérieur même de la chambre de cuisson, d'importantes économies d'énergie peuvent être réalisées en même temps que d'excellents résultats de cuisson.



Circulation de l'air dans les fours à convection

Figure 1

REMARQUE:* – Mèche hélicoïdale multiple

SPECIFICATIONS POUR GAZ – Installation aux États-Unis et au Canada et généralités concernant à l'exportation				
	Gaz Naturel		Gaz Propane	
	Unités US	Unités SI	Unités US	Unités SI
Valeur de Chauffe	1000 BTU/cu.ft.	37.3 MJ/m ³	2550 BTU/cu. ft.	95.0 MJ/m ³
Gravité Spécifique (air=1.0)	0.63	0.63	1.53	1.53
Pression arrivée de gaz au collecteur				
DFG-100-3	55,000 BTU/hr	16.2 kW	55,000 BTU/hr	16.2 kW
DFG-200-L	60,000 BTU/hr	17.6 kW	60,000 BTU/hr	17.6 kW
Brûleur principal taille orifice				
DFG-100-3	38 MTD*	2.6 mm	1/16" dia.	1.6 mm
DFG-200-L	36 MTD*	2.7 mm	52 MTD*	1.6 mm
SPECIFICATIONS POUR GAZ – DFG-100-3 pour Australia				
Pression arrivée de gaz au collecteur	–	58 MJ/h	–	58 MJ/h
Brûleur principal taille orifice	38 MTD*	2.58 mm	1/16" dia.	1.6 mm



Éléments du Four

Porte de Combustion – permet l'accès au compartiment de combustion des fours à gaz.

Compartiment de Combustion – contient les brûleurs des fours à gaz.

Brûleurs – fournissent la chaleur à la cavité des fours à gaz.

Chaîne et Tendeur – contrôlent le fonctionnement des portes de four.

Panneau de Contrôle – contient les câblages et les éléments permettant de contrôler le fonctionnement du four.

Grilles de four – cinq grilles sont fournies en équipement standard. Des grilles supplémentaires sont disponibles.

Support de Grille – tient les grilles en place.

Couvercle de Ventilateur – situé sur la paroi intérieure au fond du four. Protège le ventilateur.

Ventilateur – tourne pour faire circuler l'air chaud dans le four.

Moteur à Convection – fournit la force pour faire tourner le ventilateur.

Éclairage du Four – fournit l'éclairage à l'intérieur du four.

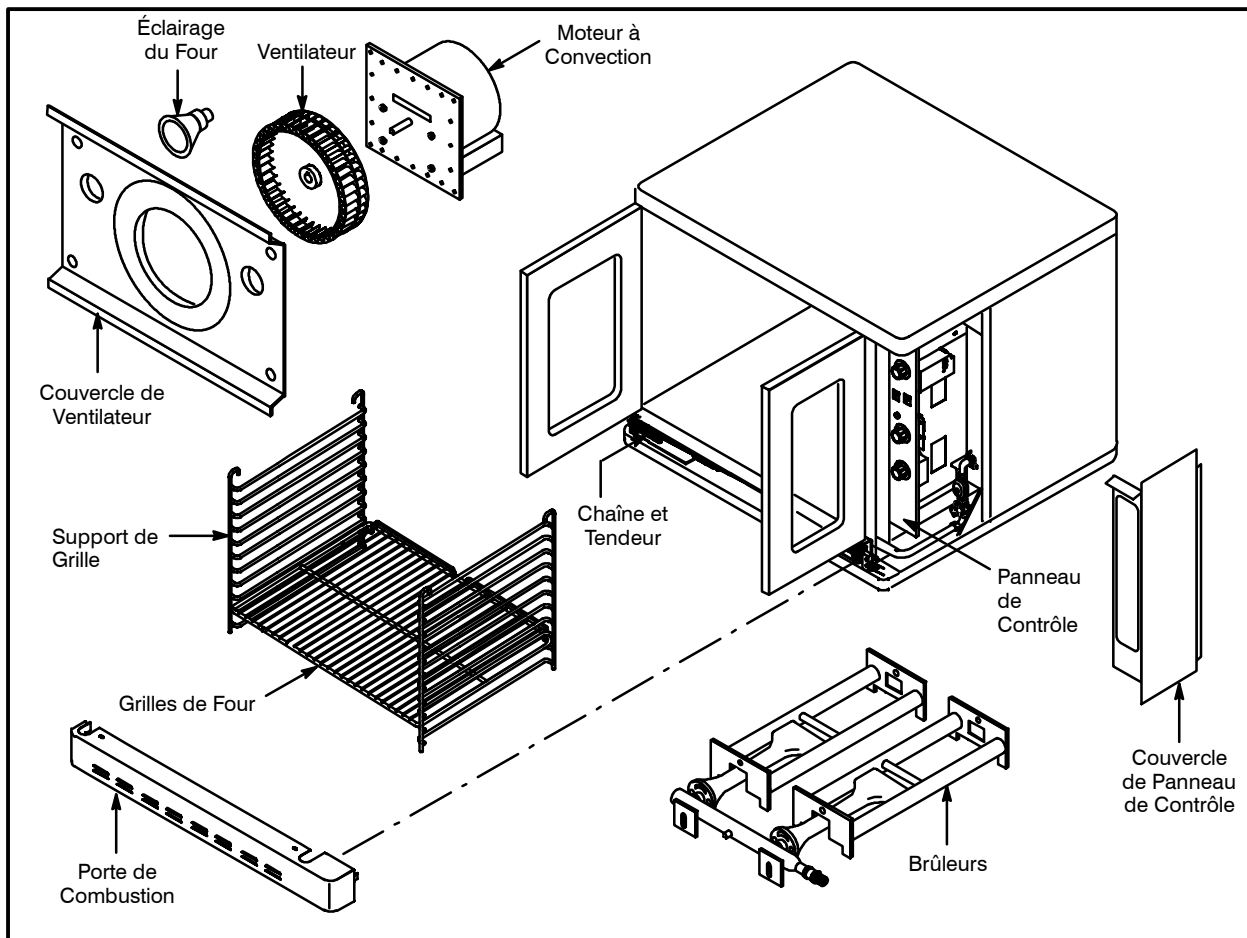


Figure 2



Installation

Livraison et Implantation

LIVRAISON ET INSPECTION

Tous les fours sont expédiés en conteneurs. A la réception de votre four Blodgett vous devez:

- Vérifier que les emballages ne sont pas abimés. Toute défection dans l'emballage doit être notée sur l'accusé de réception de la marchandise; celui-ci doit être signé par le chauffeur.
- Sortir le four de son emballage et vérifier son bon état. Les transporteurs n'acceptent les réclamations et plaintes que si elles sont faites dans les quinze jours qui suivent la livraison et si l'emballage a été conservé afin d'être inspecté.

La Blodgett Oven Co., n'est pas responsable des dégâts subis pendant le transport. Le transporteur est seul responsable de la livraison du matériel en bon état lorsque l'expédition a été acceptée. Néanmoins, nous sommes à votre disposition pour vous aider à composer votre dossier de réclamation.

IMPLANTATION DU FOUR

L'implantation correcte et bien étudiée du four sera à l'avantage à long terme de l'opérateur et permettra d'obtenir un rendement satisfaisant.

Les espaces de dégagement ci-dessous doivent être prévus entre le four et toute construction combustible ou non.

DFG100

- Côté droit du four – 5 cm (2")
- Côté gauche du four – 5 cm (2")
- Arrière du four – 0 cm (0")
- Dessous du four – 15 cm (6")

DFG200

- Côté droit du four – 15 cm (6")
- Côté gauche du four – 15 cm (6")
- Arrière du four – 15 cm (6")
- Dessous du four – 15 cm (6")

Les espaces de dégagement ci-dessous doivent être possible pour permettre l'entretien.

- Côtés du four – 30 cm (12")
- Arrière du four – 30 cm (12")

REMARQUE: L'entretien régulier peut en général être effectué dans les limites du déplacement que permet la chaîne de retenue. Si le four doit être plus écarté du mur, l'alimentation en gaz doit être coupée et la canalisation débranchée du four avant d'enlever la chaîne. Celle-ci doit être utilisée pour empêcher d'exercer toute contrainte sur le coupleur de gaz.

Il est essentiel qu'une circulation d'air adéquate au four soit maintenue pour apporter un débit d'air de combustion et de ventilation suffisant.

- L'emplacement ne doit pas avoir de courants d'air.
- Maintenez la zone du four libre et dégagée de tous matériaux combustibles tels que le papier, le carton, ainsi que les liquides et solvants inflammables.
- NE placez PAS le four sur un socle à bordure. L'une comme l'autre de ces installations gênera la circulation d'air vers le compartiment de combustion et empêchera une bonne ventilation des moteurs de soufflantes. Le déclenchement du dispositif de surchauffe de ces moteurs indique une température ambiante excessive à l'arrière du four. Une telle situation doit être rectifiée si l'on veut empêcher que le four ne soit définitivement endommagé.
- L'emplacement doit permettre un dégagement adéquat pour l'ouverture de ventilation dans la chambre de combustion.

Veuillez vérifier le tableau de spécifications avant d'effectuer tout branchement sur ce four afin de vous assurer que les spécifications de ce four sont compatibles avec le gaz d'arrivée au four.



Montage du Four

BOULONS NSF

La NSF exige la pose de boulons dans tous les trous vides situés à l'arrière du four, notamment dans les cas suivants :

- tout appareil, seul ou superposé, ne comportant aucun panneau arrière
- tout trou d'appareils superposés ne servant pas à maintenir une ferrure de montage superposé.

1. Repérez les boulons de 5/16 po expédiés avec le four.
2. Posez les boulons comme l'illustre la Figure 3.

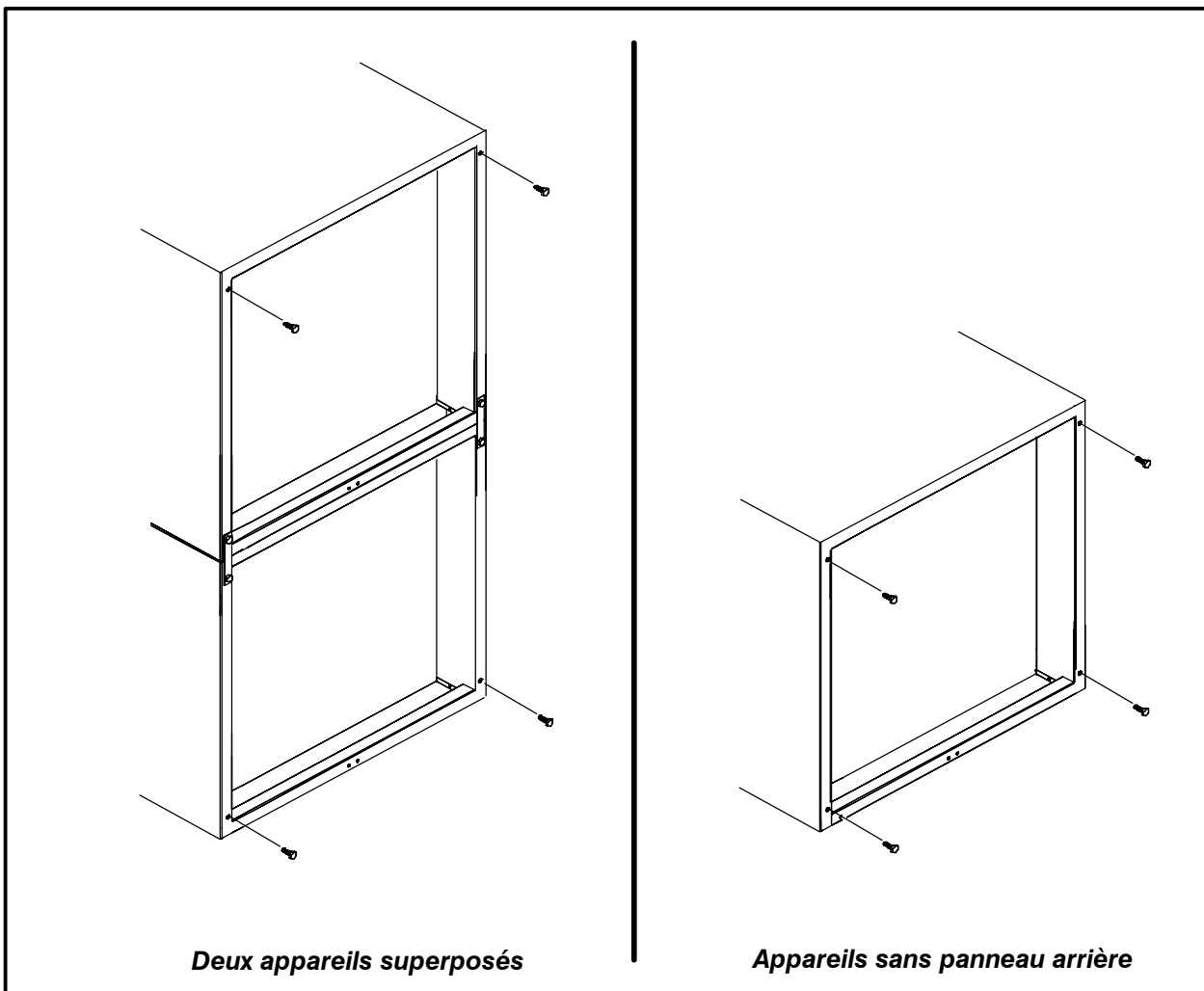


Figure 3



Installation

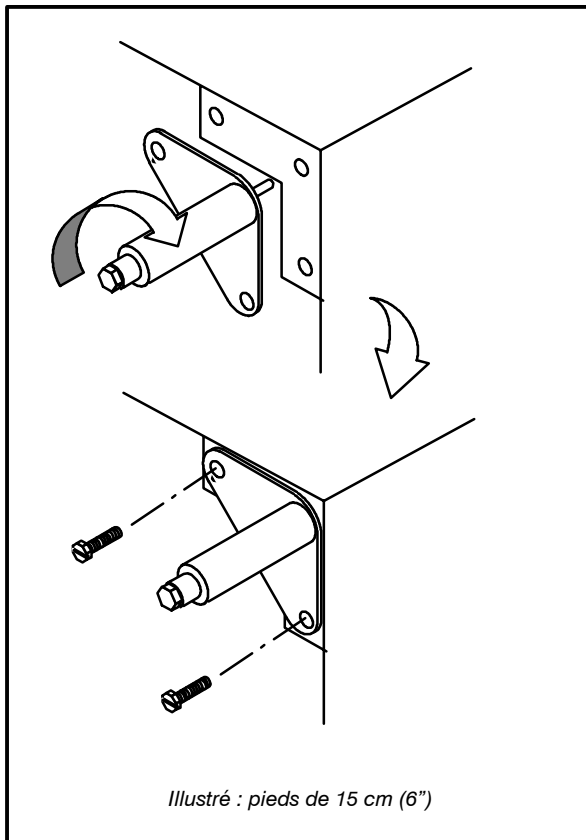
Montage du Four

ASSEMBLAGE DES PIEDS

1. Pousser le four, couché sur le dos, sur un élévateur.
2. Alignez le goujon fileté du pied sur le trou de vis prévu dans le coin avant du fond de caisse. Vissez le pied, dans le sens des aiguilles d'une montre, jusqu'au dernier tour complet possible.
3. Alignez les deux orifices de la plaque du pied sur les trous prévus au bas du four. Fixez le pied à l'aide de deux boulons de 12.7 mm (1/2 po).

REMARQUE: Si des roulettes sont utilisées, voir MONTAGE DES ROULETTES avant de continuer.

4. Si nécessaire, mettez le four de niveau en visant ou en dévissant la vis de niveau des pieds réglables.



Illustré : pieds de 15 cm (6")

Figure 4

MONTAGE DES ROULETTES

REMARQUE: Installer les roulettes à frein sur le devant du four. Installer les roulettes sans frein à l'arrière.

REMARQUE: Si le four est monté sur roulettes, un connecteur commercial flexible doit être utilisé. Voir le page 59.

Roulettes pour four simple ou pour four superposés :

1. Placer les pieds comme décrit.
2. Desserrer l'écrou de blocage des embouts au bas de chaque pied réglable. Retirer les embouts.
3. Insérer une roulette dans chaque pied, comme illustré. Serrer les écrous de blocage pour fixer les roulettes.

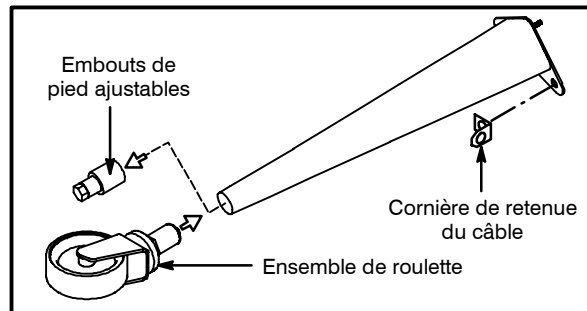


Figure 5

Roulettes de bas profile pour deux fours superposés :

1. Aligner les trois trous dans chaque plaque de l'ensemble de roulette avec les trous dans le fond du four. Fixer chaque roulette à l'aide de trois boulons de 12.7 mm (1/2 po).

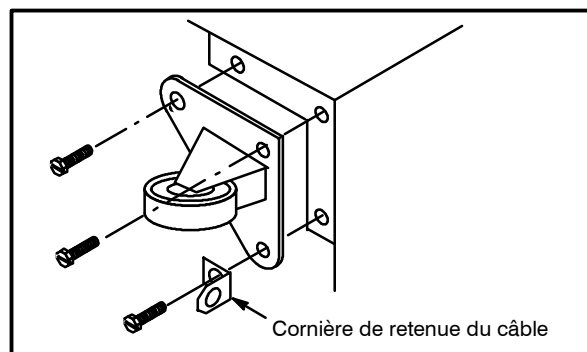


Figure 6



Montage du Four

MONTAGE DE LA SECTION DOUBLE

REMARQUE: Les vieux modèles de fours sont ceux qui ont un cadre arrière peinturé. Les nouveaux modèles de fours sont ceux avec un cadre arrière enfermé en acier.

Les instructions suivantes sont applicable a l'assemblage de deux nouveaux modèles de fours.

1. Fixez les pieds de courte longueur au bas de la section inférieure comme décrit.
2. Posez la section supérieure par-dessus la section inférieure.
3. Fixez les ferrures de montage superposé au moyen des autres boulons de 5/16 po expédiés avec les fours.
4. Raccordez le connecteur de carneau.

Les instructions suivantes sont applicables a l'assemblage d'un nouveau modèle de four (le four supérieur) avec un vieux modèle de four (le four inférieur).

1. Fixez les pieds de courte longueur au bas de la section inférieure comme décrit.
2. Posez la section supérieure par-dessus la section inférieure.

3. Fixez les ferrures de montage superposé au moyen des autres boulons de 5/16 po expédiés avec les fours.
4. Forez un trou pour un boulon de 5/16" dans le cadre du vieux modèle du four. Utilisez les trous dans les agrafes d'empilage.
5. Fixez les agrafes d'empilage au vieux modèle du four a l'aide de boulons 5/16" et des écrous qui se trouve dans le trousseau d'assemblage.
6. Raccordez le connecteur de carneau.



AVERTISSEMENT!!

Lors de la superposition de deux fours simples, il est nécessaire d'enlever les boîtes de carneau des unités simples avant l'installation du connecteur à trois pièces.

MISE À NIVEAU DU FOUR

Après assemblage le four doit être mis à niveau et installé à son emplacement d'utilisation.

1. Le four peut être mis à niveau en ajustant les vis de mise à niveau ou les roulettes en bas de chaque pied.

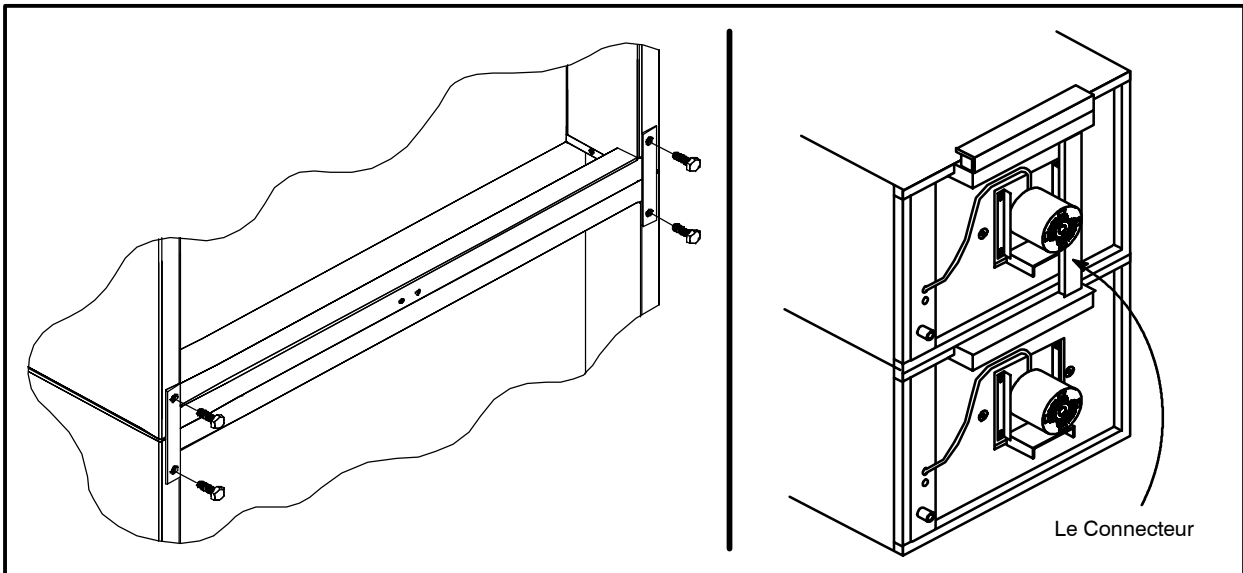


Figure 7



Installation

Ventilation

Un système de ventilation planifié et installé est absolument nécessaire car il permet un bon fonctionnement du four tout en débarrassant la surface de travail des buées et résidus de combustion.

Il y a deux méthodes de ventilation acceptables pour le four:

- Soit une hotte d'évacuation, de type voûte mécanique.
- Soit une installation à prise directe.

Installation aux États-Unis et au Canada

Se reporter aux codes locaux de la ventilation. En l'absence de codes locaux, se reporter au code national de la ventilation intitulé "Normes pour l'installation d'équipements pour l'enlèvement des fumées et vapeurs grasses provenant d'équipements commerciaux pour la cuisine", NFPA-96-Édition la plus récente.

Généralités concernant les installations à l'exportation et l'Australie

Les installations doivent être conformes avec les normes d'installation locales et nationales. Les codes locaux d'installation peuvent varier. Pour toute question concernant l'installation et/ou le fonctionnement correct du four Blodgett, prendre contact avec le distributeur local. S'il n'y a pas de distributeur local, appeler la Blodgett Oven Company au 0011-802-860-3700.



AVERTISSEMENT:

Un mauvais système d'aération peut aboutir à un mauvais fonctionnement du four, des résultats de cuisson peu satisfaisants; il peut également abîmer l'appareil.

Les dégâts causés par une mauvaise ventilation ne sont pas couverts par la garantie du fabricant.

HOTTE D'ÉVACUATION TYPE VOÛTE

La méthode de ventilation la meilleure est celle qui utilise une hotte de ventilation adéquate à mécanique.

La hotte doit être conçue pour couvrir la totalité de l'appareil à ventiler avec en plus un surplomb se 15 cm (6") de chaque côté de l'appareil non adjacent au mur. La distance du plancher à l'extrémité la plus basse de la hotte ne doit pas dépasser sept 2.1m (7').

Le volume total d'air neuf et d'évacuation à considérer lors de la détermination de la capacité de hotte nécessaire est d'environ 30 CFM (.85 m³) pour chaque section de four.

Installation du déviateur de tirage

Les fours commandés pour hotte d'évacuation sont fournis avec un déviateur de tirage. Installer le déviateur de tirage comme suit :

1. Placer le déviateur au-dessus du connecteur de cheminée avec la partie ouverte tournée vers l'avant du four. Voir Figure 8.
2. L'assujettir des deux côtés avec les vis à tôle fournies.

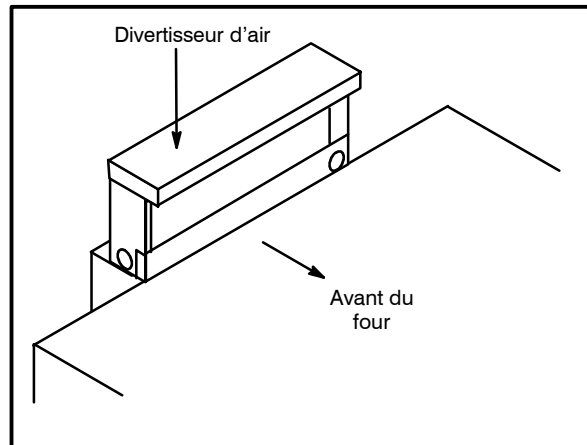


Figure 8



EN PRISE DIRECTE

Quand l'installation d'une hotte aspirante mécanique est impossible ou peu pratique à réaliser, on peut ventiler le four au moyen d'une installation en prise directe.



AVERTISSEMENT!!

Quand on utilise un système à prise directe il faut absolument suivre le schéma. Une installation de ventilation à prise directe qui est défectueuse donnera des résultats de cuisson peu satisfaisants et causera des dégâts prématurés aux éléments brûleurs.

La cheminée doit être de classe B ou mieux). La hauteur de la cheminée doit dépasser de 2 à 2,5 m (6–8') le haut du toit du bâtiment ou autre structure proche. Ne jamais diriger la ventilation du four dans une hotte. La cheminée doit être chapeauté avec une coiffe de type homologué UL, pour isoler la cheminée des intempéries extérieures.

Dans ce cas il est important de fournir assez d'air secondaire car l'installation à pris directe ne peut pas renouveler l'air absorbé et ventilé par le four. Le volume total d'air neuf et d'évacuation à considérer lors de la détermination de la capacité de hotte nécessaire est d'environ 30 CFM (.85 m³) pour chaque section de four. Pour augmenter la circulation d'air dans la pièce, un expert en ventilation doit être consulté.

DIAMÈTRE DU CHEMINÉE

Four	Simple	Double
DFG-100	15cm (6")	15cm (6")
DFG-200	15cm (6")	20cm (8")

Installation de la hotte de tirage

Les four commandés pour la ventilation directe sont fournis avec une hotte de tirage. Installer la hotte de tirage comme suit :

1. Placer la hotte de tirage au-dessus du connecteur de cheminée. Voir Figure 9.
2. L'assujettir des deux côtés avec les vis à tête fournies.

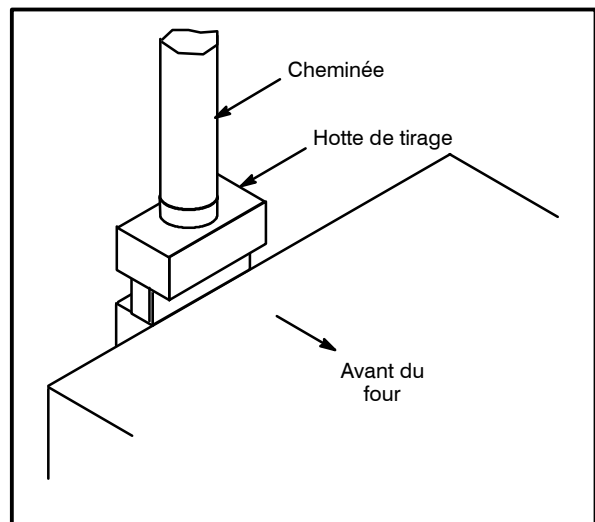


Figure 9



Installation

Branchements de Service – Normes et Codes

LES CONSEILS D'INSTALLATION ET D'ENTRETIEN CONTENUS DANS CE MANUEL NE S'ADRESSENT QU'À UN PERSONNEL QUALIFIÉ. UN PERSONNEL NON QUALIFIÉ PEUT SE BLESER ET/OU ABÎMER LE FOUR LORS DE SON INSTALLATION ET/OU SON ENTRETIEN.

Un personnel d'installation qualifié est représenté soit par des personnes physiques, soit par un société, une usine, une corporation qui en personne ou par l'intermédiaire d'un représentant s'engage à et est responsable de:

- l'installation ou le remplacement de conduits de gaz, ou le branchement, l'installation, la réparation ou l'entretien de l'équipement.
- l'installation du câblage électrique reliant le compteur d'électricité, l'armoire électrique ou la prise de courant à l'appareil électrique.

Le personnel d'installation qualifié doit être expérimenté dans ce type de travail, s'être familiarisé avec toutes les précautions requises et respecter tous les règlements promulgués par les autorités provinciales ou locales compétentes.

Installation aux États-Unis et au Canada

Les branchements de gaz doivent être en accord avec les codes locaux, ou en l'absence de codes locaux, avec le *Code National du Gaz de Chauffage, ANSI Z223.1 le Code d'Installation du Gaz Naturel CAN/CGA-B149.1* ou le *Code d'Installation du Propane CAN/CGA-B149.2* si applicable.

L'installation doivent être en accord avec les codes locaux, ou en l'absence de codes locaux, avec le *Code Électrique National (National Electrical Code), ANSI/NFPA 70–Dernière édition et/or Code Électrique Canadien CSA C22.2* si applicable.

Généralités concernant les installations à l'exportation et l'Australie

Les installations doivent être conformes avec les normes d'installation locales et nationales. Les codes locaux d'installation peuvent varier. Pour toute question concernant l'installation et/ou le fonctionnement correct du four Blodgett, prendre contact avec le distributeur local. S'il n'y a pas de distributeur local, appeler la Blodgett Oven Company au 0011-802-860-3700.



The Australian Gas Association



Branchement de Gaz

CONDUIT DE GAZ

Un système d'alimentation en gaz de bon calibre est essentiel pour obtenir le meilleur rendement du four. Les conduits doivent être calibrés pour fournir suffisamment de gaz pour alimenter tous les appareils sur le conduit sans perte de pression à l'équipement.

Exemple:

REMARQUE: Les valeurs en BTU de l'exemple suivant sont pour le gaz naturel.

Achat d'un four à convection DFG-100 qui doit être ajouté sur la conduite de cuisson existante.

1. Additionner les valeurs nominales en BTU des appareils utilisés.

Friteuse Pitco	120,000 BTU
Cuisinière 6 brûleurs	60,000 BTU
Four	<u>50,000 BTU</u>
Total	230,000 BTU

2. À ce total, ajouter la valeur nominale en BTU du nouveau four.

Total précédent	230,000 BTU
DFG-100	<u>55,000 BTU</u>
Nouveau total	285,000 BTU

3. Mesurer la distance entre le compteur à gaz et la conduite de cuisson. Ceci est la longueur de tuyau. Disons que la longueur de tuyau est de 12,2 mètres (40') et le calibre du tuyau est de 2,54 cm (1").

4. Se reporter au tableau approprié pour déterminer la capacité totale de la conduite de gaz actuelle.

Pour cette exemple, la capacité totale est de 320,000 BTU, la conduite de gaz actuelle n'a pas besoin d'être augmentée.

REMARQUE: Les capacités en BTU données sur les tableaux sont uniquement pour des longueurs droites de tuyaux. Tous les coudes et autres raccords diminuent la capacités de la conduite. Pour toute autre question, prendre contact avec la compagnie locale de distribution du gaz.

Maximum Capacity of Iron Pipe in Cubic Feet of Natural Gas Per Hour

(chute de pression de 13 mm (0,5 po) à la colonne d'eau)

Longueur de conduit pieds	Dimensions nominales				
	3/4"	1"	1-1/4"	1-1/4"	2"
10	360	680	1400	2100	3950
20	250	465	950	1460	2750
30	200	375	770	1180	2200
40	170	320	660	990	1900
50	151	285	580	900	1680
60	138	260	530	810	1520
70	125	240	490	750	1400
80	118	220	460	690	1300
90	110	205	430	650	1220
100	103	195	400	620	1150

Du Code national du gaz carburant Partie 10 Tableau 10-2

Maximum Capacity of Pipe in Thousands of BTU/hr of Undiluted L.P. Gas at 11" W.C.

(chute de pression de 13 mm (0,5 po) à la colonne d'eau)

Longueur de conduit pieds	Diamètre extérieur		
	3/4"	1"	1-1/2"
10	608	1146	3525
20	418	788	2423
30	336	632	1946
40	287	541	1665
50	255	480	1476
60	231	435	1337
70	215	404	1241
80	198	372	1144
90	187	351	1079
100	175	330	1014

Du Code national du gaz carburant Partie 10 Tableau 10-15



Installation

Branchement de Gaz

RÉGLAGE ET TEST DE PRESSION

Chaque section du four DFG-100-3 opère à régime nominal de 55,000 BTU/heure (16.2 kw) (58 MJ/hr). Chaque section du four DFG-200-L opère à régime nominal de 60,000 BTU/heure (17.6 kw) (63 MJ). Tous les fours sont réglés en usine en fonction du type de gaz spécifié sur la plaque signalétique.

Pression à l'entrée				
	Gaz Naturel		Gaz Propane	
	Min	Max	Min	Max
W.C.	7.0	10.5	11.0	13.0
kPa	1.742	2.61	2.74	3.23
Pression au collecteur				
	Gaz Naturel		Gaz Propane	
	W.C.		10.0	
kPa		.87	2.49	

- **Pression à l'entrée** – Pression du gaz d'arrivée, avant l'entrée du four.
- **Pression au Collecteur** – Pression du gaz à l'entrée du ou des brûleurs principaux.
- **Min** – Pression recommandée pour le fonctionnement du four.

- **Max** – Pression maximale à laquelle le fabricant garantit le fonctionnement du four.

Pour maintenir la bonne pression de gaz, chaque four est livré avec un régulateur. Le régulateur est essentiel pour le fonctionnement correct du four et il ne doit pas être retiré. Il est pré-réglé pour alimenter le four avec une pression de gaz naturel au collecteur de 0,87 kPa (3,5" WC [à la colonne d'eau]) et une pression de propane au collecteur de 2,50 kPa (10,5 WC).

NE PAS INSTALLER DE RÉGULATEUR SUPPLÉMENTAIRE OÙ LE FOUR SE CONNECTE SUR L'ALIMENTATION DE GAZ SAUF SI LA PRESSION D'ENTRÉE EST AU-DESSUS DU MAXIMUM.

Avant le raccordement du four, veillez à bien purger les conduites de gaz de toutes rognures métalliques, limaille, bavures d'enduit et autres débris. Après le raccordement, vérifiez la pression du gaz.

Le four et sa vanne d'arrêt individuelle doivent être déconnectés du système d'alimentation en cas de test des conduites à pression manométrique supérieure à 1/2 psi (13.85 po à la colonne d'eau ou 3.45 kPa).

En cas de test à pression manométrique de 1/2 psi (13.85 po à la colonne d'eau ou 3.45 kPa) ou moindre, le four doit être isolé du système par la fermeture de sa vanne d'arrêt manuelle individuelle.

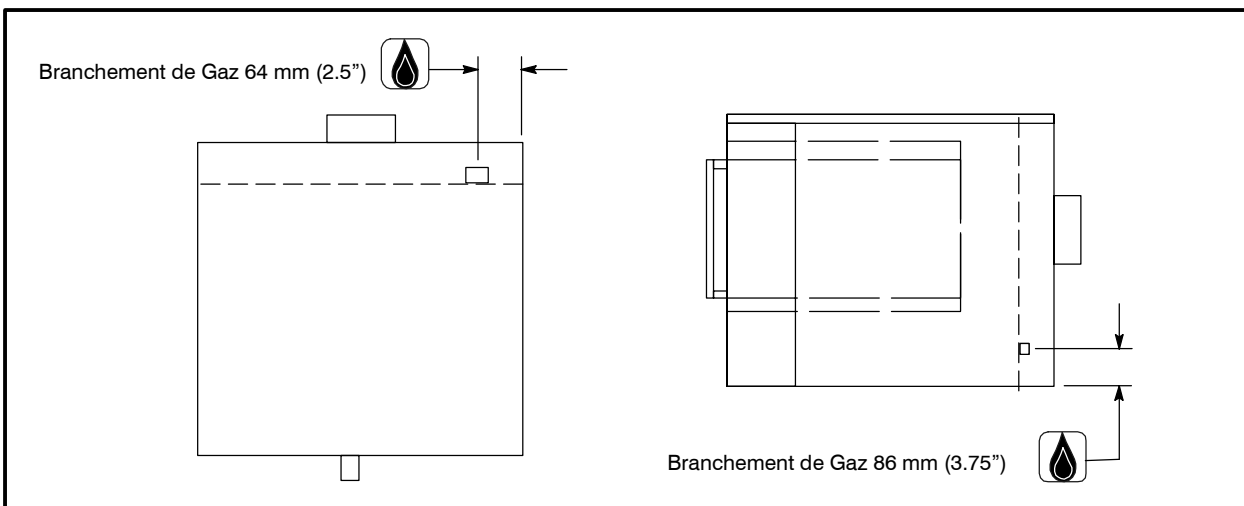


Figure 10



RETENUE DU TUYAU DE GAZ

Si le four est monté sur roulettes, un connecteur commercial flexible ayant un diamètre intérieur minimum de 1,9 cm (3/4") doit être utilisé avec un dispositif de connexion rapide.

La retenue, fournie avec le four, doit servir à limiter les mouvements de l'unité de façon qu'aucune tension ne soit placée sur le connecteur flexible. Quand la retenue est entièrement étendue, le connecteur doit être facile à installer et à connecter rapidement.

Ce dispositif (qui consiste en un câble de gros calibre) doit supporter une charge d'épreuve de 1,000 lb. (453 kg) et doit être accroché au mur pour empêcher d'endommager celui-ci. NE vous servez PAS de la canalisation de gaz ni d'une canalisation d'électricité pour y accrocher l'extrémité fixée à demeure du dispositif de retenue ! Servez-vous de boulons d'ancrage dans le béton ou les parpaings. Sur les murs en bois, utilisez des tire-fond à bois à résistance élevée que vous enfoncez dans les montants du mur.

1. Monter la cornière fournie sur le boulon du pied juste au-dessous de l'arrivée de gaz. Voir Figure 11.
2. Fixer l'attache sur le câble de retenue sur la cornière.

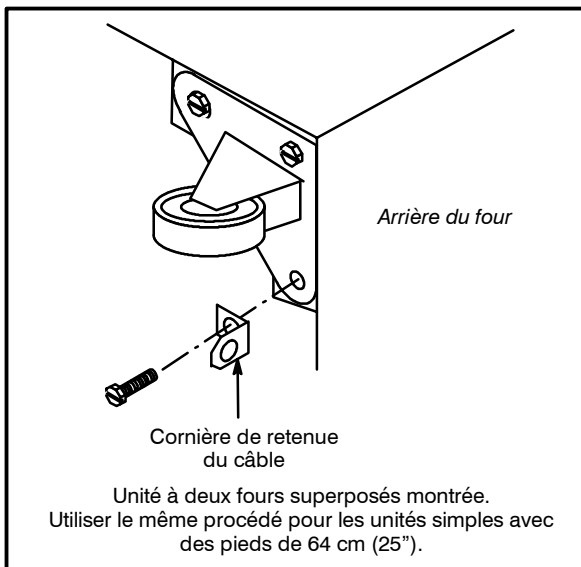


Figure 11



AVERTISSEMENT!!

Si la retenue est déconnectée, quelqu'en soit la raison, elle doit être reconnectée quand le four est remis à sa position d'origine.

Installations aux États-Unis et au Canada

Le coupleur doit être conforme à la *Norme Applicable aux Coupleurs pour Appareils à Gaz Mobiles, ANSI Z21.69* ou *Coupleurs pour Appareils à Gaz Mobiles CAN/CGA-6.16*. Il convient d'utiliser également un dispositif de débranchement rapide conforme à la *Norme Applicable aux Dispositifs de Débranchement Rapide pour Combustibles Gazeux, ANSI Z21.41* ou *Dispositifs de Débranchement Rapide pour Combustibles Gazeux CAN 1-6.9*. Une entrave fixée à une surface immobile doit être prévue pour limiter le mouvement du four et éviter les tensions au niveau du connecteur.

Généralités concernant les installations à l'exportation et l'Australie

Les installations doivent être conformes avec les normes d'installation locales et nationales. Les codes locaux d'installation peuvent varier. Pour toute question concernant l'installation et/ou le fonctionnement correct du four Blodgett, prendre contact avec le distributeur local. S'il n'y a pas de distributeur local, appeler la Blodgett Oven Company au 0011-802-860-3700.



Installation

Raccordement Électrique

Les diagrammes de câblage se trouvent dans le coffret de commande et à l'arrière du four.

Ce four est équipé pour connexion sur un circuit de prise de terre de 115 volts. Le moteur électrique, les voyants lumineux et les commutateurs apparentés sont connectés par le fil de branchement de 1,8 m (6') qui se trouve à l'arrière du four.



AVERTISSEMENT!!

Pour votre protection contre les risques d'électrocution, cet appareil est doté d'une fiche a trois broches avec fil de terre et doit être branché directement dans une prise a trois trous adéquatement mise a la terre. Ne coupez ou ne retirez en aucun cas la broche de terre de la fiche.

LA SOCIÉTÉ BLODGETT NE SAURAIT ÊTRE TENUE POUR RESPONSABLE DES PERTES OU DOMMAGES SUBI PAR SUITE DE L'INSTALLATION INCORRECTE DE FOURS.

SPÉCIFICATIONS ÉLECTRIQUES					
Modèle	Hz	Volts	Phase	Amps	Connexion électrique (calibre minimum)
Installation É-U et Canada					
DFG-100-3	60	115	1	6	Ensemble du cordon électrique fourni
DFG-200-L	60	115	1	6	Ensemble du cordon électrique fourni
Installation à l'export et l'Australie					
DFG-100-3	50	220-240	1	3	Calibre suivant code local
DFG-200-L	50	220-240	1	3	Calibre suivant code local



Les points de la liste qui suit doivent être contrôlés par un personnel qualifié avant la première mise en marche de l'appareil.

- Ouvrez la vanne d'arrêt manuelle combinée à l'arrière du four.
- Enlevez les couvercles du tableau de commande et de combustion.
- Tourner la vanne d'arrêt manuel à combinaison sur la position marche.
- Mettez le sélecteur en position Cook (cuisson) et la température à 260°C (500°F).

Les voyants du brûleur principal du four et le voyant du four prêt s'allument. Quand le brûleur principal est en marche, vérifier ce qui suit.

- Vérifiez l'absence de fuites de gaz par l'application d'une solution d'eau savonneuse sur tous les raccords des conduites de gaz.
- Vérifiez si la pression à l'entrée est conforme au niveau recommandé. Cette pression se vérifie au niveau de la prise de pression prévue du côté à vanne de combinaison.
- Vérifiez si la pression au collecteur est conforme au niveau recommandé. Cette pression se vérifie au niveau de la prise de pression prévue du côté sortie des brûleurs principaux.
- Si le relevé de pression sont conformes du valeur recommandé, laissez chauffer le four pendant deux heures. S'il est inacceptable, procédez aux réglage requis.



AVERTISSEMENT

Les ruptures dans le procédé brûlent les excès d'huile présents dans le métal pendant la fabrication. De la fumée peut en résulter. Une ventilation correcte est requise.

RÉGLAGES À FAIRE LORS DE L'INSTALLATION INITIALE

Chaque four ainsi que ses composants ont été soigneusement testés et inspectés avant d'être expédiés. Cependant, il est bien souvent nécessaire de faire des vérifications et des réglages sur place au moment de l'installation initiale. Ceci est un procédé normal. De tels réglages sont sous la responsabilité du vendeur ou de l'installateur et ne sont pas imputables à des défauts de fabrication ou de matériau. Par conséquent, ces réglages ne sont pas couverts par la garantie de l'équipement d'origine. Ces réglages comprennent, sans s'y limiter:

- le calibrage du thermostat
- le réglage des portes
- réglage du brûleur
- la mise de niveau
- la vérification de la pression du gaz
- le serrage des boulons.

On ne peut considérer une installation achevée tant qu'un personnel qualifié n'a pas procédé à sa vérification complète et fait les réglages nécessaires s'il en est besoin.



Utilisation

Informations de Sécurité

LES INFORMATIONS CONTENUES DANS CETTE SECTION SONT DESTINÉES AU PERSONNEL QUALIFIÉ APPELÉ À UTILISER LE FOUR. ON ENTEND PAR PERSONNEL QUALIFIÉ LE PERSONNEL QUI AURA LU ATTENTIVEMENT LES INFORMATIONS CONTENUES DANS CE MANUEL, CONNAIT BIEN LES FONCTIONS DU FOUR ET/OU POSSEDE UNE EXPÉRIENCE ANTÉRIEURE DE L'EMPLOI DE L'ÉQUIPEMENT DÉCRIT. LE RESPECT DES PROCÉDURES RECOMMANDÉES DANS CETTE SECTION PERMETTRA D'ATTEINDRE LES PERFORMANCES OPTIMALES DU SYSTÈME ET D'EN OBTENIR UN SERVICE DURABLE ET SANS ENCOMBRES.

Prenez le temps de lire attentivement les instructions qui suivent. Vous y trouverez la clé du succès du four à convection Blodgett.



CONSEILS DE SÉCURITÉ

Pour la sécurité, lire avant d'utiliser l'appareil

Que faire s'il y a une odeur de gaz :

- NE PAS essayer d'allumer l'appareil.
- NE PAS toucher d'interrupteur électrique.
- Utiliser un téléphone extérieur pour appeler immédiatement la compagnie du gaz.
- Si la compagnie du gaz ne répond pas, appeler les pompiers.

Que faire en cas de panne de secteur :

- Fermer tous les interrupteurs.
- NE PAS tenter d'utiliser le four avant que l'électricité soit revenue.

REMARQUE: Dans le cas d'un arrêt de l'appareil, quel qu'il soit, attendre cinq (5) minutes avant de remettre le four en marche.

Conseils généraux de sécurité :

- NE PAS utiliser d'outil pour fermer les commandes du gaz. Si le gaz ne peut pas être fermé manuellement ne pas tenter de réparer. Appeler un technicien de service qualifié.
- Si le four doit être déplacé, quel qu'en soit la raison, le gaz doit être fermé et déconnecté de l'unité avant de retirer le câble de retenue. Reconnecter la retenue quand le four a été remis à son emplacement d'origine.
- NE PAS retirer le couvercle du panneau de contrôle sauf si le four est débranché.

CH-Pro3 (Commande Numérique Programmable pour Semi-Conducteurs)

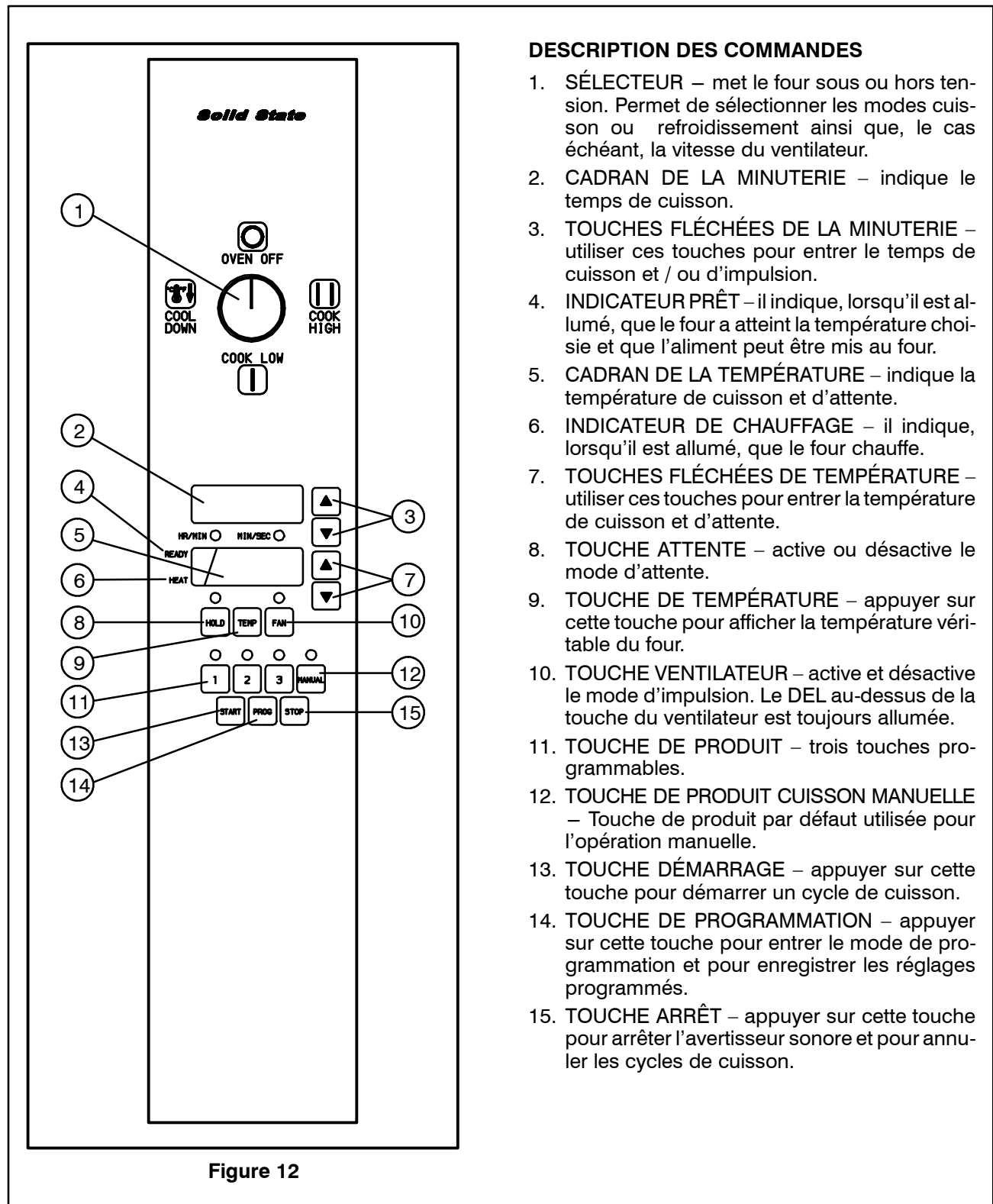


Figure 12

DESCRIPTION DES COMMANDES

1. SÉLECTEUR – met le four sous ou hors tension. Permet de sélectionner les modes cuisson ou refroidissement ainsi que, le cas échéant, la vitesse du ventilateur.
2. CADRAN DE LA MINUTERIE – indique le temps de cuisson.
3. TOUCHES FLÉCHÉES DE LA MINUTERIE – utiliser ces touches pour entrer le temps de cuisson et / ou d'impulsion.
4. INDICATEUR PRÊT – il indique, lorsqu'il est allumé, que le four a atteint la température choisie et que l'aliment peut être mis au four.
5. CADRAN DE LA TEMPÉRATURE – indique la température de cuisson et d'attente.
6. INDICATEUR DE CHAUFFAGE – il indique, lorsqu'il est allumé, que le four chauffe.
7. TOUCHES FLÉCHÉES DE TEMPÉRATURE – utiliser ces touches pour entrer la température de cuisson et d'attente.
8. TOUCHE ATTENTE – active ou désactive le mode d'attente.
9. TOUCHE DE TEMPÉRATURE – appuyer sur cette touche pour afficher la température véritable du four.
10. TOUCHE VENTILATEUR – active et désactive le mode d'impulsion. Le DEL au-dessus de la touche du ventilateur est toujours allumée.
11. TOUCHE DE PRODUIT – trois touches programmables.
12. TOUCHE DE PRODUIT CUISSON MANUELLE – Touche de produit par défaut utilisée pour l'opération manuelle.
13. TOUCHE DÉMARRAGE – appuyer sur cette touche pour démarrer un cycle de cuisson.
14. TOUCHE DE PROGRAMMATION – appuyer sur cette touche pour entrer le mode de programmation et pour enregistrer les réglages programmés.
15. TOUCHE ARRÊT – appuyer sur cette touche pour arrêter l'avertisseur sonore et pour annuler les cycles de cuisson.



Utilisation

CH-Pro3 (Commande Numérique Programmable pour Semi-Conducteurs)

OPÉRATION MANUELLE

REMARQUE: Appuyer sur les touches fléchées pour changer le temps et la température de cuisson à n'importe quel moment durant l'opération manuelle.

Cuisson seulement :

1. Régler le SÉLECTEUR (1) sur la position désirée.
2. Appuyer sur les TOUCHES FLÉCHÉES DE LA MINUTERIE (3) pour entrer le temps de cuisson.
3. Appuyer sur les TOUCHES FLÉCHÉES DE TEMPÉRATURE (7) pour entrer la température de cuisson.
4. L'INDICATEUR PRÊT (4) s'allume lorsque le four a atteint la température de cuisson choisie. Mettre l'aliment au four.
5. Appuyer sur la TOUCHE DÉMARRAGE (13). Le CADRAN DE LA MINUTERIE (2) commence le compte à rebours. Le voyant DEL de l'opération manuelle clignote.
6. Lorsque le temps de cuisson touche à sa fin, les DEL et les deux cadrans se mettent à clignoter et une alarme retentit. Appuyer sur la TOUCHE ARRÊT (15) pour arrêter l'alarme.
7. Retirer l'aliment du four.

Cuisson avec attente :

1. Régler le SÉLECTEUR (1) sur la position désirée.
2. Appuyer sur les TOUCHES FLÉCHÉES DE LA MINUTERIE (3) pour entrer le temps de cuisson.
3. Appuyer sur les TOUCHES FLÉCHÉES DE TEMPÉRATURE (7) pour entrer la température de cuisson.
4. Appuyer et maintenir la TOUCHE ATTENTE (8) enfoncée. Utiliser les TOUCHES FLÉCHÉES DE TEMPÉRATURE (7) pour entrer la température d'attente. Le voyant DEL de la touche d'attente s'allume. Appuyez de nouveau sur la touche Hold pour quitter le programme de maintien.
5. L'INDICATEUR PRÊT (4) s'allume lorsque le four a atteint la température de cuisson choisie. Mettre l'aliment au four.
6. Appuyer sur la TOUCHE DÉMARRAGE (13). Le CADRAN DE LA MINUTERIE (2) commence le compte à rebours. Le voyant DEL de l'opération manuelle clignote.

7. Lorsque le temps de cuisson touche à sa fin, les deux cadrans se mettent à clignoter et une alarme retentit pendant quelques secondes, puis s'arrête automatiquement. Le voyant DEL de la touche d'attente clignote. La minuterie se met en route et la température du four baisse jusqu'à ce qu'elle atteigne la température d'attente. Le cadran de la minuterie se remet alors à 00:00 puis commence le compte du temps d'attente. Le ventilateur chauffant se met en route automatiquement si la température doit augmenter en mode d'attente.
8. Appuyer sur la TOUCHE ARRÊT (15) pour arrêter la minuterie.
9. Retirer l'aliment du four.
10. Appuyer la TOUCHE ATTENTE (8) pour désactiver le mode d'attente.

Cuisson avec impulsion :

1. Régler le SÉLECTEUR (1) sur la position désirée.
2. Appuyer sur les TOUCHES FLÉCHÉES DE LA MINUTERIE (3) pour entrer le temps de cuisson.
3. Appuyer sur les TOUCHES FLÉCHÉES DE TEMPÉRATURE (7) pour entrer la température de cuisson.
4. Appuyer sur la TOUCHE VENTILATEUR (10). L'AFFICHAGE DE LA TEMPÉRATURE (5) se vide. Le voyant DEL du ventilateur clignote. Utiliser les TOUCHES FLÉCHÉES DE LA MINUTERIE (3) pour entrer le temps d'impulsion.

REMARQUE: La durée d'impulsion constitue une partie de la durée de cuisson et n'augmente pas la durée de cuisson déjà entrée.

5. Appuyez de nouveau sur la TOUCHE FAN (10). L'AFFICHAGE DE LA TEMPÉRATURE (5) s'allume.
6. L'INDICATEUR PRÊT (4) s'allume lorsque le four a atteint la température de cuisson choisie. Mettre l'aliment au four.
7. Appuyer sur la TOUCHE DÉMARRAGE (13). Le voyant DEL de l'opération manuelle clignote. Le CADRAN DE LA MINUTERIE (2) commence le compte à rebours. Le ventilateur tourne pendant 30 secondes et s'arrête pendant 30 secondes, puis recommence ce cycle jusqu'à ce que le temps d'impulsion choisi se termine.

CH-Pro3 (Commande numérique programmable pour semi-conducteurs)

8. Lorsque le temps d'impulsion touche à sa fin, les deux cadrans se mettent à clignoter et une alarme retentit. Appuyer sur la TOUCHE ARRÊT (15) pour arrêter l'alarme.
9. Retirer l'aliment du four.

Arrêt du four :

1. Régler le SÉLECTEUR (1) sur la position *OVEN OFF*.

PROGRAMMATION DES OPTIONS PAR DÉFAUT DE LA TOUCHE CUISSON MANUELLE

1. Régler le SÉLECTEUR (1) sur la position désirée.
2. Appuyer sur la TOUCHE DE PRODUIT CUISSON MANUELLE (12). Les voyants DEL de la touche manuelle et du ventilateur s'allument.
3. Appuyer sur les TOUCHES FLÉCHÉES DE LA MINUTERIE (3) pour entrer le temps de cuisson.
4. Appuyer sur les TOUCHES FLÉCHÉES DE TEMPÉRATURE (7) pour entrer la température de cuisson.
5. **Pour la cuisson et attente** – Appuyer et maintenir la TOUCHE ATTENTE (8). enfoncée. Utiliser les TOUCHES FLÉCHÉES DE TEMPÉRATURE (7) pour entrer la température d'attente. Le voyant DEL de la touche d'attente s'allume. Appuyez de nouveau sur la touche Hold pour quitter le mode de maintien.
Pour la cuisson par impulsion – Appuyer sur la TOUCHE VENTILATEUR (10). Utiliser les TOUCHES FLÉCHÉES DE LA MINUTERIE (3) pour entrer le temps d'impulsion. Si aucune impulsion n'est nécessaire, laissez la durée d'impulsion à 0:00. Le voyant DEL de la touche ventilateur s'allume. Appuyez de nouveau sur la touche Fan pour quitter le mode ventilateur.
6. Appuyer sur la TOUCHE DE PROGRAMMATION (14) pour enregistrer les réglages programmés.

FONCTIONNEMENT DES OPTIONS PAR DÉFAUT DE LA TOUCHE CUISSON MANUELLE

1. Régler le SÉLECTEUR (1) sur la position désirée.
2. Appuyer sur la TOUCHE CUISSON MANUELLE (12). Les voyants DEL des touches pertinentes s'allument.
3. Appuyer sur la TOUCHE DÉMARRAGE (13). Le CADRAN DE LA MINUTERIE (2) commence le compte à rebours. Le voyant DEL de l'opération manuelle clignote.

REMARQUE: Lorsque le four est en mode cuisson par impulsion, le DEL du ventilateur clignote.

REMARQUE: Appuyer sur les touches fléchées pour changer le temps et la température de cuisson à n'importe quel moment durant l'opération manuelle.

4. Lorsque le temps de cuisson touche à sa fin, les DEL pertinentes et les deux cadrans se mettent à clignoter et une alarme retentit.
5. Appuyer sur la TOUCHE ARRÊT (15) pour arrêter l'alarme.

REMARQUE: Lorsque le four est en mode cuisson et attente, l'alarme s'arrête automatiquement. Le température du four baisse jusqu'à ce qu'elle atteigne la température d'attente et le cadran de la minuterie commence le compte.

6. Retirer l'aliment du four.
7. sur la position *OFF* pour éteindre le four.



Utilisation

CH-Pro3 (Commande numérique programmable pour semi-conducteurs)

PROGRAMMATION DE LA TOUCHE DE PRODUIT

1. Régler le SÉLECTEUR (1) sur la position désirée.
2. Appuyer sur la TOUCHE DE PRODUIT (11) désirée. Les voyants DEL de la touche manuelle et du ventilateur s'allument.
3. Appuyer et maintenir la TOUCHE DE PROGRAMMATION (14) enfoncée, jusqu'à ce que les DEL pertinents se mettent à clignoter, soit environ 5 secondes.
4. Appuyer sur les TOUCHES FLÉCHÉES DE LA MINUTERIE (3) pour entrer le temps de cuisson.
5. Appuyer sur les TOUCHES FLÉCHÉES DE TEMPÉRATURE (7) pour entrer la température de cuisson.
6. **Pour la cuisson et attente** – Appuyer et maintenir la TOUCHE ATTENTE (8). enfoncée. Utiliser les TOUCHES FLÉCHÉES DE TEMPÉRATURE (7) pour entrer la température d'attente. Le voyant DEL [LED] de la touche d'attente s'allume. Appuyez de nouveau sur la touche Hold pour quitter le mode de maintien.
Pour la cuisson par impulsion – Appuyer sur la TOUCHE VENTILATEUR (10). Utiliser les TOUCHES FLÉCHÉES DE LA MINUTERIE (3) pour entrer le temps d'impulsion. Si aucune impulsion n'est nécessaire, laissez la durée d'impulsion à 0:00. Le voyant DEL de la touche ventilateur s'allume. Appuyez de nouveau sur la touche Fan pour quitter le mode ventilateur.
7. Appuyer sur la TOUCHE DE PROGRAMMATION (14) pour enregistrer les réglages programmés.

FONCTIONNEMENT DE LA TOUCHE DE PRODUIT

1. Régler le SÉLECTEUR (1) sur la position désirée.
2. Appuyer sur la TOUCHE DE PRODUIT (11) désirée. Les voyants DEL des touches pertinentes s'allument.
3. Appuyer sur la TOUCHE DÉMARRAGE (13). Le CADRAN DE LA MINUTERIE (2) commence le compte à rebours. Le voyant DEL de la touche de produit clignote.

REMARQUE: Lorsque le four est en mode cuisson par impulsion, le DEL du ventilateur clignote.

4. Lorsque le temps de cuisson ou d'impulsion touche à sa fin, les DEL pertinents et les deux cadrans se mettent à clignoter et une alarme retentit.
5. Appuyer sur la TOUCHE ARRÊT (15) pour arrêter l'alarme.

REMARQUE: Lorsque le four est en mode cuisson et attente, l'alarme s'arrête automatiquement. La température du four baisse jusqu'à ce qu'elle atteigne d'attente et le cadran de la minuterie commence le compte.

6. Retirer l'aliment du four.
7. Régler le SÉLECTEUR (1) sur la position OFF pour éteindre le four.

Commandes Numériques à Semi-Conducteurs

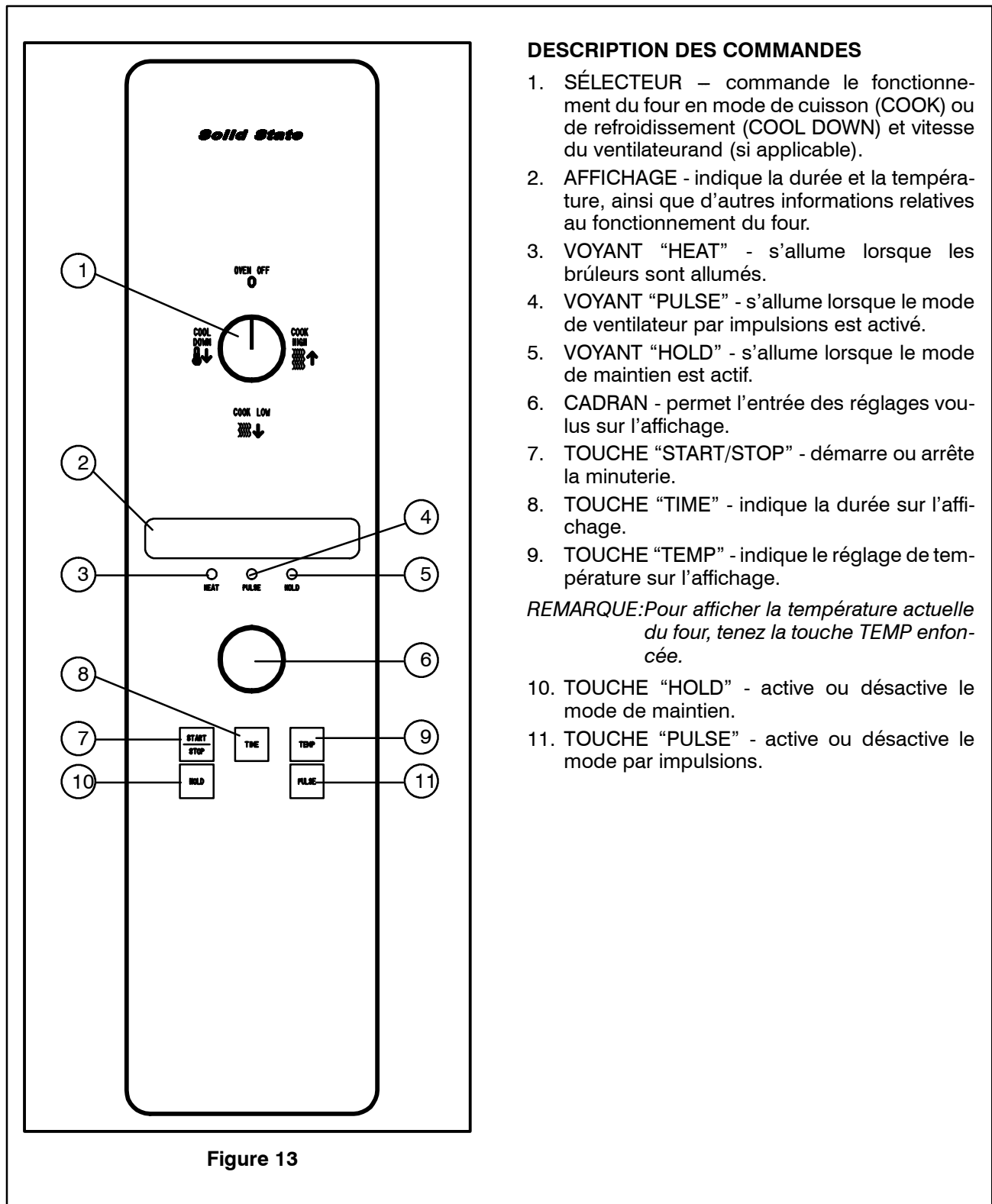


Figure 13

DESCRIPTION DES COMMANDES

1. SÉLECTEUR – commande le fonctionnement du four en mode de cuisson (COOK) ou de refroidissement (COOL DOWN) et vitesse du ventilateur (si applicable).
2. AFFICHAGE - indique la durée et la température, ainsi que d'autres informations relatives au fonctionnement du four.
3. VOYANT "HEAT" - s'allume lorsque les brûleurs sont allumés.
4. VOYANT "PULSE" - s'allume lorsque le mode de ventilateur par impulsions est activé.
5. VOYANT "HOLD" - s'allume lorsque le mode de maintien est actif.
6. CADRAN - permet l'entrée des réglages voulus sur l'affichage.
7. TOUCHE "START/STOP" - démarre ou arrête la minuterie.
8. TOUCHE "TIME" - indique la durée sur l'affichage.
9. TOUCHE "TEMP" - indique le réglage de température sur l'affichage.

REMARQUE: Pour afficher la température actuelle du four, tenez la touche TEMP enfoncée.

10. TOUCHE "HOLD" - active ou désactive le mode de maintien.
11. TOUCHE "PULSE" - active ou désactive le mode par impulsions.



Utilisation

Commandes Numériques à Semi-Conducteurs

PROGRAMMATION

Pour régler la température de cuisson

1. Appuyez sur la touche TEMP (9).
2. Choisissez la température voulue à l'aide du CADRAN (6).

Pour régler la durée de cuisson

1. Appuyez sur la touche TIME (8).
2. Choisissez la durée voulue à l'aide du CADRAN (6).

REMARQUE:Le temps est entré en heures/minutes ou en minutes/secondes.

Pour régler le mode de maintien

1. Appuyez sur la touche HOLD (10).
- REMARQUE:Le voyant HOLD s'allume.*
2. Choisissez la température de maintien à l'aide du CADRAN (6).
3. Appuyez sur la touche START/STOP (7).

Pour régler le mode par impulsions

1. Appuyez sur la touche PULSE (11).
- REMARQUE:Le voyant PULSE s'allume.*
2. Choisissez la durée de pulse à l'aide du CADRAN (6). Le mode d'impulsion est une portion du temps de cuisson.

UTILISATION

Cuisson:

1. Placez le SÉLECTEUR DE MODE (1) à la position désirée.
2. Entrez la durée de cuisson et la température de cuisson.
3. Chargez l'aliment dans le four.

REMARQUE:Le message LOAD apparaît sur l'affichage lorsque la température du four approche la température demandée.

4. Appuyez sur START/STOP (7). La minuterie se met en marche.
5. Le vibreur retentit et le message *DONE* s'affiche lorsque la minuterie arrive à 00:00.
6. Appuyez sur START/STOP (7) pour arrêter le vibreur.
7. Enlevez l'aliment du four.

Commandes Numériques à Semi-Conducteurs

Cuisson et Maintien:

REMARQUE: Le voyant HOLD s'allume lorsque le mode est actif et s'éteint lorsqu'il ne l'est pas.

1. Placez le SÉLECTEUR DE MODE (1) à la position désirée.
2. Entrez la durée de cuisson et la température de cuisson.
3. Appuyez sur HOLD (10). Entrez la température de maintien.
4. Chargez l'aliment dans le four.

REMARQUE: Le message LOAD apparaît sur l'affichage lorsque la température du four approche la température demandée.

5. Appuyez sur START/STOP (7). La minuterie se met en marche.
6. Le vibreur retentit et le message DONE s'affiche lorsque la minuterie arrive à 00:00. Le vibreur s'arrête après quelques secondes. Le message HOLD s'affiche jusqu'à ce que le four atteigne la température de maintien demandée, puis la minuterie se met à compter le temps écoulé.
7. Appuyez sur START/STOP (7) pour arrêter la minuterie.
8. Enlevez l'aliment du four.
9. Appuyez deux fois sur HOLD (10) pour désactiver le mode de maintien.

Cuisson par Impulsions

REMARQUE: Le voyant PULSE s'allume lorsque le mode est actif et s'éteint lorsqu'il ne l'est pas.

1. Placez le SÉLECTEUR DE MODE (1) à la position désirée.
2. Entrez la durée de cuisson et la température de cuisson.
3. Appuyez sur PULSE (11). Entrez la température d'impulsions.

REMARQUE: Le mode d'impulsion est une portion du temps de cuisson. Elle n'augmentera pas la durée de cuisson déjà entrer.

4. Chargez l'aliment dans le four.

REMARQUE: Le message LOAD apparaît sur l'affichage lorsque la température du four approche la température demandée.

5. Appuyez sur START/STOP (7). La minuterie se met en marche. Le four sera au mode d'impulsion pour le temps déjà régler. Une fois le temps régler est expirer, l'unité changera qu mode de cuisson automatiquement et continuera le déconte.
6. Le vibreur retentit et le message DONE s'affiche lorsque la minuterie arrive à 00:00.
7. Appuyez sur START/STOP (7) pour arrêter le vibreur.
8. Enlevez l'aliment du four.



AVERTISSEMENT!!

Une période d'arrêt complet de 5 minutes doit être observée avant le rallumage du four.



Utilisation

Commandes à Semi-Conducteurs

DESCRIPTION DES COMMANDES

1. SÉLECTEUR - commande le fonctionnement du four en mode de cuisson ou de refroidissement (COOL DOWN).
2. INTERRUPTEUR DU VENTILATEUR – contrôle la vitesse du ventilateur, soit rapide, soit lente. (60Hz seulement)
3. TOUCHE DU LUMIERE (LIGHTS) - commande des lumières d'intérieur.
4. VOYANT D'ÉTAT DU FOUR - indique l'allumage du brûleur. Le voyant s'éteint lorsque le four atteint la température demandée.
5. THERMOSTAT À SEMI-CONDUCTEURS – permet soit la sélection de 8 températures pré-réglées sélectionnées en accord avec les demandes du client, soit une infinité de sélections entre 95–260°C (200–500°F). (contrôle infini illustré)
6. MINUTERIE - active un vibreur électrique qui retentit au terme de la durée de cuisson demandée pour indiquer à l'utilisateur le moment d'enlever l'aliment du four.

UTILISATION

1. Mettez le SÉLECTEUR (1) en position COOK. Le ventilateur du four se mettent en marche. Il est contrôlés automatiquement par le mouvement des portes.
2. Réglez l'interrupteur du VENTILATEUR (2) sur la vitesse désirée.
3. Réglez le THERMOSTAT (5) à la température désirée.
4. Préchauffez le four jusqu'à ce que le voyant d'ÉTAT DU FOUR (4) s'éteigne.
5. Chargez l'aliment dans le four, déterminez la durée de cuisson et réglez la MINUTERIE (6).
6. Lorsque le vibreur retentit, enlevez l'aliment du four et mettez la MINUTERIE (6) en position d'arrêt (OFF) pour arrêter le vibreur.
7. Éteignez le four en mettant le SÉLECTEUR (1) en position d'arrêt (OVEN OFF).

⚠ AVERTISSEMENT!!
Une période d'arrêt complet de 5 minutes doit être observée avant le rallumage du four.

Figure 14

Contrôle du Blodgett IQ2™

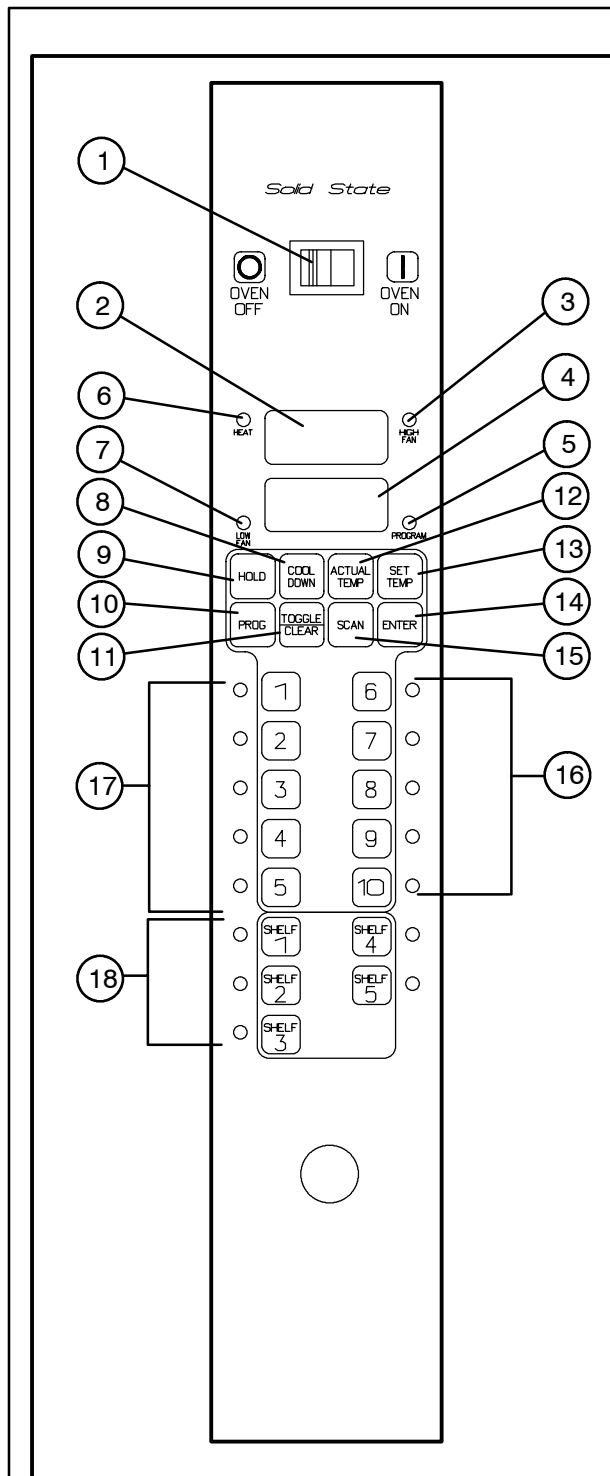


Figure 15

DESCRIPTION DES COMMANDES

1. INTERRUPTEUR D'ALIMENTATION DU FOUR – contrôle l'alimentation électrique du four.
2. AFFICHAGE DU HAUT – affiche la température et d'autres informations associées au contrôleur.
3. DÉL DE VENTILATEUR À GRANDE VITESSE – lorsqu'elle est allumée, indique que le ventilateur tourne à grande vitesse.
4. AFFICHAGE DU BAS – affiche le temps de cuisson et d'autres informations associées au contrôleur.
5. DÉL DE PROG – lorsqu'elle est allumée, indique que le contrôleur est dans le mode de programmation.
6. DÉL DE CHAUFFAGE – lorsqu'elle est allumée, indique que le contrôle fait une demande de chauffage.
7. DÉL DE VENTILATEUR À BASSE VITESSE – lorsqu'elle est allumée, indique que le ventilateur tourne à basse vitesse.
8. TOUCHE DE REFROIDISSEMENT – enfoncer pour entrer dans le mode de refroidissement.
9. TOUCHE DE MAINTIEN – enfoncer pour entrer dans le mode de maintien.
10. TOUCHE DE PROG – enfoncer pour entrer dans le mode de programmation.
11. TOUCHE BASCULER/EFFACER – enfoncer pendant la programmation pour basculer les options.
12. TOUCHE DE TEMP ACT – enfoncer pour afficher la température actuelle du four.
13. TOUCHE DE TEMP RÉGLÉE – enfoncer pour afficher la température de cuisson pré-programmée pour la phase actuelle de la touche de produit.
14. TOUCHE D'ENTRÉE – enfoncer pour entrer de nouvelles valeurs dans la programmation de la touche de produit. Utilisée aussi pour visualiser le temps de récupération.
15. TOUCHE DE SCANNAGE – termine la programmation du paramètre en cours et fait passer le contrôleur au paramètre suivant. Enfoncer pour visualiser le temps restant pour les cycles de cuisson multiples.



Utilisation

Contrôle du Blodgett IQ2™

16. DÉL DE PRODUIT – lorsqu'elles sont allumées, indiquent les touches de produit qui sont actuellement utilisées ou programmées pour la température du four et la vitesse du ventilateur en cours.
17. TOUCHES DE PRODUIT – affecte une touche à une recette programmée et commence un processus de cuisson programmé.
18. TOUCHES D'ÉTAGÈRE – affecte une touche d'étagère.

UTILISATION

Démarrage du four :

1. Basculer l'INTERRUPTEUR D'ALIMENTATION (1) sur ON (marche). Le four chauffe initialement à la température de première phase la plus basse programmée. Les DÉL (16) pour tous les produits avec la même température de première phase s'allument.

Alors que l'appareil chauffe, l'AFFICHAGE DU HAUT (2) fournit la température réglée. L'AFFICHAGE DU BAS (4) indique *Lo* (bas) si le four est à plus de 10° au-dessous du point de consigne. Lorsque le four atteint $\pm 10^\circ$ de la température de chauffage initial, une alarme sonne et l'affichage du bas indique *Ready* (prêt).

Procédure de cuisson d'un produit unique :

REMARQUE: Si la DÉL adjacente à la touche du produit souhaité est allumée, omettez l'étape 1.

1. Enfoncer la TOUCHE DE PRODUIT (17) souhaitée. Le four chauffe initialement à la température de première phase pour le produit sélectionné. Lorsque le four atteint $\pm 10^\circ$ de la température initiale, une alarme sonne et l'affichage du bas indique *LoAd*.
2. Placer le produit dans le four. Enfoncer la TOUCHE DE PRODUIT (17) souhaitée. Si la fonction de minuterie d'étagère est basculée sur "on" (marche) pour cette touche de produit, l'affichage du haut indique *SHLF* et l'affichage du bas indique le temps du produit programmé. Appuyer sur une TOUCHE D'ÉTAGÈRE (18) pour affecter le produit à cette étagère et commencer le cycle de cuisson. L'affichage supérieur lit *SHLF*, l'affichage infé-

rieur donne l'étagère #. dans cinq secondes, l'affichage supérieur lit le nombre d'étagère, l'affichage inférieur donne au cuisinier restant le temps.

Si la fonction de minuterie d'étagère est basculée sur "off" (arrêt) pour cette touche de produit, le cycle de cuisson commence lorsque la touche de produit est enfoncée. L'AFFICHAGE DU HAUT (2) affiche ----. L'AFFICHAGE DU BAS (4) fournit le compte à rebours du temps de cuisson en minutes:secondes.

REMARQUE: Si le produit sélectionné possède un temps de cuisson supérieur à 59:59, l'affichage du haut indique Hr -- pour le nombre total d'heures. L'affichage du bas fournit le compte à rebours du temps de cuisson en minutes:secondes.

REMARQUE: Si le produit sélectionné est une recette à phase unique, les DÉL pour tous les produits à phase unique avec la même température de cuisson et la même vitesse de ventilateur s'allument. Si le produit sélectionné est une recette à plusieurs phases, aucune autre DÉL de produit ne s'allume.

REMARQUE: Maintenir enfoncée la touche de produit sélectionnée pendant trois secondes pour annuler le cycle de cuisson pendant le fonctionnement normal. Pour annuler le cycle de cuisson au four lorsque la minuterie d'étagère est utilisée, maintenir enfoncée la TOUCHE D'ÉTAGÈRE (18) pendant 3 secondes ou appuyer sur BASCULER/EFFACER (11) et sur la touche d'étagère correspondante.

3. Lorsque le temps de cuisson prend fin, une alarme sonne et l'affichage du haut indique *donE*.
4. Appuyer sur la touche de produit sélectionnée pour arrêter l'alarme sonore. Retirer le produit. Si la minuterie d'étagère est utilisée, appuyer sur la TOUCHE D'ÉTAGÈRE (18) clignotante pour arrêter l'alarme sonore.



Procédure de cuisson en plusieurs fois :

Cette procédure concerne seulement les recettes à phase unique avec la même température de cuisson et la même vitesse de ventilateur.

REMARQUE: Si la DÉL adjacente à la touche du premier produit souhaité est allumée, omettez l'étape 1.

1. Appuyer sur la première TOUCHE DE PRODUIT (17) souhaitée. Les DÉL pour toutes les recettes avec la même température de cuisson et la même vitesse de ventilateur s'allument.

Le four chauffe initialement à la température de cuisson du produit sélectionné. Lorsque le four atteint $\pm 10^\circ$ de la température de chauffage initial, une alarme sonne et l'affichage du bas indique *Ready*.

2. Placer le produit dans le four. Enfoncer la TOUCHE DE PRODUIT (17) souhaitée. Si la fonction de minuterie d'étagère est basculée sur "on" (marche) pour cette touche de produit, l'affichage du haut indique *SHLF* et l'affichage du bas indique le temps du produit programmé. Appuyer sur une TOUCHE D'ÉTAGÈRE (18) pour affecter le produit à cette étagère et commencer le cycle de cuisson. L'affichage supérieur lit *SHLF*, l'affichage inférieur donne l'étagère #. dans cinq secondes, l'affichage supérieur lit le nombre d'étagère, l'affichage inférieur donne au cuisinier restant le temps.

Si la fonction de minuterie d'étagère est basculée sur "off" (arrêt) pour cette touche de produit, le cycle de cuisson commence lorsque la touche de produit est enfoncée. L'AFFICHAGE DU HAUT (2) affiche ----. L'AFFICHAGE DU BAS (4) fournit le compte à rebours du temps de cuisson en minutes:secondes.

3. Charger le deuxième produit. Appuyer la TOUCHE DE PRODUIT (17) appropriée. Appuyer sur une TOUCHE D'ÉTAGÈRE (18) pour mettre en service la minuterie d'étagère.

REMARQUE: Seuls les produits avec des DÉL allumés peuvent être sélectionnés.

4. L'affichage supérieur lit *SHLF*. L'affichage inférieur donne les nombres d'étagères qui ont été assignées. Dans cinq secondes l'étagère avec la moindre quantité de temps restante est montrée. La DÉL pour le produit avec le temps restant le plus faible clignote plus rapidement que la DÉL pour l'autre produit.

REMARQUE: Pour visualiser le temps de cuisson restant pour l'autre produit, maintenir enfoncée la TOUCHE DE SCANNAGE (15). L'affichage du bas indique successivement les temps de cuisson restants de chaque produit. Seule la DÉL pour le produit dont le temps de cuisson est affiché s'allume.

5. Lorsqu'un temps de cuisson prend fin, une alarme sonne. L'affichage du haut indique *donE* (terminé). La DÉL du produit qui a fini de cuire s'allume. Toutes les autres DÉL sont éteintes.
6. Appuyer sur la TOUCHE D'ÉTAGÈRE (18) pour le produit qui a fini de cuire pour arrêter l'alarme sonore. Retirer le produit. Fermer la porte du four. L'AFFICHAGE DU HAUT (2) indique *SH-X* pour l'étagère avec la moindre quantité de temps de cuisinier. L'AFFICHAGE DU BAS (4) fournit le compte à rebours du temps de cuisson pour l'autre produit.
7. Lorsque le temps de cuisson prend fin, une alarme sonne et l'affichage du haut indique *donE*.
8. Appuyer sur la TOUCHE D'ÉTAGÈRE (18) pour arrêter l'alarme sonore. Retirer le produit.

Refroidissement du four :

1. Fermer la porte du four. Appuyer sur la TOUCHE DE REFROIDISSEMENT (8).

REMARQUE: Le refroidissement ne peut pas être mis en service si la porte du four est ouverte. Une fois que le cycle de refroidissement a commencé, les portes peuvent être ouvertes pour accélérer le processus de refroidissement.



Utilisation

Contrôle du Blodgett IQ2™

PROGRAMMATION DES RECETTES A PHASE UNIQUE

Entrée dans le mode de programmation :

1. Appuyer et prise la TOUCHE PROG (10). L'affichage du haut indique *CodE*.
2. Utiliser les touches de produit pour entrer le code d'accès de programmation : 3 1 2 4. Appuyer sur la TOUCHE D'ENTRÉE (14). L'affichage du haut indique *Prod*.
3. Appuyer sur la touche de produit souhaitée, puis sur la TOUCHE D'ENTRÉE (14).

REMARQUE: Pendant le processus de programmation, on peut : Appuyer sur la TOUCHE BASCULER/EFFACER (11) pour effacer le réglage actuel ou basculer entre des réglages particuliers. Appuyer sur la TOUCHE DE SCANNAGE (15) pour passer à la fonction de programmation suivante en conservant le réglage en cours sans le changer. Appuyer sur la TOUCHE PROG (10) pour quitter le mode de programmation.

Programmation du temps de cuisson :

1. L'affichage du haut indique P1: __. L'affichage du bas fournit le temps de cuisson programmé actuel pour la phase 1 en minutes:secondes. Appuyer sur la TOUCHE BASCULER/EFFACER (11). Utiliser les touches de produit pour entrer le nouveau temps de cuisson. Appuyer sur la TOUCHE D'ENTRÉE (14) pour sauvegarder le nouveau temps de cuisson.
2. L'affichage du haut indique P2: __. Le contrôle demande le temps de cuisson pour la phase 2 de cette recette. Appuyer sur la TOUCHE BASCULER/EFFACER (11) pour entrer un temps de 0:00:00 pour P2:.

REMARQUE: Cela signale au contrôleur que cette recette ne possède pas d'autres phases. Une fois qu'une recette à phase unique a été définie, le contrôle autorise seulement les entrées d'une seule phase pour tous les autres paramètres de ce produit.

3. Appuyer à nouveau sur la TOUCHE D'ENTRÉE (14). L'affichage du haut indique P1: . L'affichage du bas indique le temps de cuisson.
4. Appuyer sur la TOUCHE DE SCANNAGE (15) pour faire avancer le mode de programmation à la température de cuisson.

Programmation de la température de cuisson :

1. L'affichage du haut indique *Ct-1*. L'affichage du bas indique la température de cuisson actuelle. Utiliser les touches de produit pour entrer la température de cuisson souhaitée.
2. Appuyer sur la TOUCHE DE SCANNAGE (15) pour faire avancer le mode de programmation à la vitesse de ventilateur.

Programmation de la vitesse de ventilateur :

1. L'affichage du haut indique *SPd1*. L'affichage du bas indique la vitesse de ventilateur actuelle. Appuyer sur la TOUCHE BASCULER/EFFACER (11). L'affichage du bas bascule entre *HI* (haut) et *Lo* (bas).
2. Appuyer sur la TOUCHE DE SCANNAGE (15) pour faire avancer le mode de programmation au temps de cycle de ventilateur.

Programmation du temps de cycle de ventilateur :

Il existe 3 options pour le temps de cycle de ventilateur : Impulsion, Chauffage et Continu. Impulsion permet au ventilateur de se mettre en marche et de s'arrêter selon sa programmation. Chauffage permet au ventilateur de fonctionner avec la chaleur seulement. Continu permet le fonctionnement du ventilateur en continu.

1. L'affichage du haut indique *CYC1*. L'affichage du bas indique le cycle de ventilateur en cours. Appuyer sur la TOUCHE BASCULER/EFFACER (11). L'affichage du bas bascule entre *PULS* (impulsion), *HEAt* (chauffage) et *FULL* (continu).
2. Si le chauffage ou le fonctionnement en continu est sélectionné, appuyer sur la TOUCHE DE SCANNAGE (15) pour sauvegarder le nouveau cycle de ventilateur et passer au mode de minuterie.



Contrôle du Blodgett IQ2™

Si les impulsions sont sélectionnées, appuyer sur la TOUCHE DE SCANNAGE (15) et passer aux étapes 3–4 pour programmer le cycle d'impulsion.

3. L'affichage du haut indique *on - 1*. L'affichage du bas indique le temps de marche d'impulsion. Utiliser les touches de produit pour entrer le temps de marche d'impulsion souhaité, entre 10 et 60 secondes. Appuyer sur la TOUCHE DE SCANNAGE (15).
4. L'affichage du haut indique *of - 1*. L'affichage du bas indique le temps d'arrêt d'impulsion en cours. Utiliser les touches de produit pour entrer le temps d'arrêt d'impulsion souhaité, entre 10 et 60 secondes. Appuyer sur la TOUCHE DE SCANNAGE (15) pour faire avancer le mode de programmation au mode de l'ID d'étagère.

Programmation de l'ID d'étagère :

L'option d'ID d'étagère peut être mise en service ou hors service pour des touches de produit particulières.

REMARQUE: L'ID d'étagère ne peut pas être utilisée avec des recettes à plusieurs phases.

1. L'affichage du haut indique *SHLF*. L'affichage du bas indique le mode d'ID d'étagère en cours. Appuyer sur la TOUCHE BASCULER/EFFACER (11) pour basculer entre Oui et Non. Appuyer sur la TOUCHE DE SCANNAGE (15) pour faire avancer le mode de programmation au minuterie.

Programmation du mode de minuterie :

Le mode de minuterie possède 3 options : Direct, Flex et Sensibilité.

1. L'affichage du haut indique *tC - 1*. L'affichage du bas fournit le mode de minuterie en cours. Appuyer sur la TOUCHE BASCULER/EFFACER (11) pour basculer entre *St* (direct), *FL* et *SEns*.

REMARQUE: La sensibilité ajuste le temps de cuisson en fonction de la différence éven-

tuelle entre le point de consigne et la température actuelle. Plus la valeur de la sensibilité est basse, plus le temps réglé est court.

Si l'ID d'étagère est activée, chacun des trois modes de synchronisation est disponible. Si l'ID d'étagère n'est pas activée, seulement directement ou les modes de synchronisation de câble sont disponibles.

2. Appuyer sur la TOUCHE DE SCANNAGE (15) pour faire avancer le mode de programmation de maintien.

Programmation du mode de maintien :

Le mode de maintien peut être basculé en marche ou à l'arrêt pour des touches de produit particulières.

1. L'affichage du haut indique *HOLD* (maintien). L'affichage du bas indique le mode de maintien en cours. Appuyer sur la TOUCHE BASCULER/EFFACER (11) pour basculer entre marche et arrêt. Appuyer sur la TOUCHE DE SCANNAGE (15).
2. Si le mode de maintien est activé, l'affichage du bas fournit le temps de maintien actuel. Appuyer sur la TOUCHE BASCULER/EFFACER (11). Utiliser les touches de produit pour entrer le nouveau temps de maintien. Appuyer sur la TOUCHE DE SCANNAGE (15).
3. L'affichage du bas fournit la température de maintien actuelle. Appuyer sur la TOUCHE BASCULER/EFFACER (11). Utiliser les touches de produit pour entrer la nouvelle température de maintien entre 60-99°C (140-210°F). Appuyer sur la TOUCHE DE SCANNAGE (15).
4. L'affichage du haut indique *HFAN* (vitesse de maintien de ventilateur). Appuyer sur la TOUCHE BASCULER/EFFACER (11) pour basculer entre haut et bas. Appuyer sur la TOUCHE DE SCANNAGE (15) pour quitter la programmation du mode de maintien.



Utilisation

Contrôle du Blodgett IQ2™

Contrôle de tous les réglages (mode SEE) :

Le mode SEE permet à l'opérateur de faire dérouler et de visualiser les réglages d'une touche de produit donnée.

1. Appuyer sur la TOUCHE PROG (10). L'affichage du haut indique *Code*.
2. Utiliser les touches de produit pour entrer le code d'accès SEE : 2 4 4 4. Appuyer sur la TOUCHE D'ENTRÉE (14). L'affichage du haut indique *SEE*.
3. Appuyer sur la touche de produit que l'on souhaite visualiser. Appuyer sur la TOUCHE D'ENTRÉE (14).
4. Le contrôle fait dérouler automatiquement les paramètres programmables en montrant pour chacun la valeur programmée.

Sortie du mode de programmation :

1. L'affichage du haut indique *Prod*. Appuyer sur la TOUCHE PROG (10). Le contrôle retourne au mode opérationnel.

PROGRAMMATION DES RECETTES À PLUSIEURS PHASES

Entrée dans le mode de programmation :

1. Appuyer et prise la TOUCHE PROG (10). L'affichage du haut indique *CodE*.
2. Utiliser les touches de produit pour entrer le code d'accès de programmation : 3 1 2 4. Appuyer sur la TOUCHE D'ENTRÉE (14). L'affichage du haut indique *Prod*.
3. Appuyer sur la touche de produit souhaitée, puis sur la TOUCHE D'ENTRÉE (14).

Programmation du temps de cuisson :

REMARQUE: Lorsque la cuisson à plusieurs phases est utilisée, le temps du compte à rebours affiché pendant la cuisson est égal à la somme de toutes les phases.

1. L'affichage du haut indique P1: __. L'affichage du bas fournit le temps de cuisson programmé actuel pour la phase 1 en minutes:secondes.

Appuyer sur la TOUCHE BASCULER/EFFACER (11). Utiliser les touches de produit pour entrer le nouveau temps de cuisson. Appuyer sur la TOUCHE D'ENTRÉE (14) pour sauvegarder le nouveau temps de cuisson.

2. L'affichage du haut indique P2: __. Le contrôle demande le temps de cuisson pour la deuxième phase de cette recette. Répéter l'étape 1 pour chaque phase supplémentaire.
3. Lorsque les temps de cuisson de toutes les phases ont été programmés, appuyer sur la TOUCHE BASCULER/EFFACER (11) pour effacer l'affichage du bas.

REMARQUE: Cela signale au contrôleur que cette recette ne possède pas d'autres phases. Une fois que le nombre de phases est défini, le contrôle autorise seulement les entrées correspondant à ces phases pour tous les autres paramètres de ce produit.

4. Appuyer à nouveau sur la TOUCHE D'ENTRÉE (14). L'affichage indique P1: __. L'affichage du bas indique le temps de cuisson.
5. Appuyer sur la TOUCHE DE SCANNAGE (15) pour faire avancer le mode de programmation à la température de cuisson.

Programmation de la température de cuisson :

1. L'affichage du haut indique Ct-1. L'affichage du bas indique la température de cuisson actuelle pour la phase 1 de cette recette. Utiliser les touches de produit pour entrer la température de cuisson souhaitée.
2. Appuyer sur la TOUCHE D'ENTRÉE (14) pour sauvegarder la nouvelle température de cuisson pour la phase 1. L'affichage du haut indique Ct-2.

REMARQUE: Répéter les étapes 1-2 pour programmer la température de cuisson pour les phases additionnelles. Lorsque la température de cuisson pour la phase finale est entrée, l'affichage du haut indique Ct-1.



- Appuyer sur la TOUCHE DE SCANNAGE (15) pour faire avancer le mode de programmation à la vitesse de ventilateur.

Programmation de la vitesse de ventilateur :

- L'affichage du haut indique *SPd1*. L'affichage du bas indique la vitesse de ventilateur actuelle. Appuyer sur la TOUCHE BASCULER/EFFACER (11). L'affichage du bas bascule entre *HI* (haut) et *Lo* (bas).
- Appuyer sur la TOUCHE DE SCANNAGE (15) pour faire avancer le mode de programmation au temps de cycle de ventilateur.

Programmation du temps de cycle de ventilateur :

Il existe 3 options pour le temps de cycle de ventilateur : Impulsion, Chauffage et Continu. Impulsion permet au ventilateur de se mettre en marche et de s'arrêter selon sa programmation. Chauffage permet au ventilateur de fonctionner avec la chaleur seulement. Continu permet le fonctionnement du ventilateur en continu.

- L'affichage du haut indique *CYC1*. L'affichage du bas indique le cycle de ventilateur en cours pour la phase 1. Appuyer sur la TOUCHE BASCULER/EFFACER (11). L'affichage du bas bascule entre *PULS* (impulsion), *HEAT* (chauffage) et *FULL* (continu).
- Appuyer sur la TOUCHE D'ENTRÉE (14) pour sauvegarder le nouveau cycle de ventilateur pour la phase 1. L'affichage du haut indique *CYC2*.

REMARQUE: Répéter les étapes 1–2 pour programmer le cycle de ventilateur pour les phases additionnelles.

- Lorsque le cycle de ventilateur pour la phase finale est entré, appuyer sur la TOUCHE DE SCANNAGE (15).
Si aucun cycle d'impulsion n'est programmé, le contrôle passe au mode de minuterie.
Si l'impulsion est utilisée, le contrôle retourne à la première phase programmée pour l'option de ventilateur à impulsion. Suivre les étapes 4–5 pour programmer le temps de marche et d'arrêt des impulsions.
- L'affichage du haut indique *on–x*. L'affichage du bas indique le temps de marche d'impulsion en cours pour cette phase. Utiliser les touches de produit pour entrer le temps de marche d'impulsion souhaité, entre 10 et 60 secondes. Appuyer sur la TOUCHE DE SCANNAGE (15).
- L'affichage du haut indique *of –x*. L'affichage du bas indique le temps d'arrêt d'impulsion en cours. Appuyer sur la TOUCHE DE SCANNAGE (15). Le contrôle passe à la phase suivante programmée pour la impulsion de ventilateur.

REMARQUE: Répéter les étapes 4–5 pour programmer les temps de cycle pour toutes les phases de ventilateur à impulsions. Lorsque le dernier temps d'arrêt d'impulsion est entré, le contrôle passe au mode de minuterie.



Utilisation

Contrôle du Blodgett IQ2™

Programmation du mode de minuterie :

REMARQUE: Il peut être nécessaire d'appuyer sur la TOUCHE D'ENTRÉE (14) jusqu'à ce que l'affichage du haut indique tC-1.

Le mode de minuterie possède 2 options : Direct, et Flex.

1. L'affichage du haut indique tC-1 . L'affichage du bas fournit le mode de minuterie en cours. Appuyer sur la TOUCHE BASCULER/EFFACER (11) pour basculer entre St (direct), et FL.
2. Appuyer sur la TOUCHE D'ENTRÉE (14) pour sauvegarder le nouveau mode de minuterie pour la phase 1. L'affichage du haut indique tC-2.

REMARQUE: Répéter les étapes 1-2 pour programmer le mode de minuterie pour les phases additionnelles.

3. Lorsque le mode de minuterie pour la phase finale est entré, appuyer sur la TOUCHE DE SCANNAGE (15).

Programmation du mode de maintien :

Le mode de maintien peut être basculé en marche ou à l'arrêt pour des touches de produit particulières.

1. L'affichage du haut indique HOLD (maintien). L'affichage du bas indique le mode de maintien en cours. Appuyer sur la TOUCHE BASCULER/EFFACER (11) pour basculer entre marche et arrêt. Appuyer sur la TOUCHE DE SCANNAGE (15).
2. L'affichage du bas fournit le temps de maintien actuel. Appuyer sur la TOUCHE BASCULER/EFFACER (11). Utiliser les touches de produit pour entrer le nouveau temps de maintien. Appuyer sur la TOUCHE DE SCANNAGE (15).
3. L'affichage du bas fournit la température de maintien actuelle. Appuyer sur la TOUCHE BASCULER/EFFACER (11). Utiliser les touches de produit pour entrer la nouvelle température de maintien entre 60-99°C (140-210°F). Appuyer sur la TOUCHE DE SCANNAGE (15).
4. L'affichage du haut indique HFAN (vitesse de maintien de ventilateur). Appuyer sur la TOUCHE BASCULER/EFFACER (11) pour basculer entre haut et bas. Appuyer sur la TOUCHE DE SCANNAGE (15) pour quitter la programmation du mode de maintien.

Sortie du mode de programmation :

1. L'affichage du haut indique Prod. Appuyer sur la TOUCHE PROG (10). Le contrôle retourne au mode opérationnel.



PROGRAMMATION DE DIRECTEUR

Entrée dans le mode de programmation :

1. Appuyer sur la TOUCHE PROG (10). L'affichage du haut indique *CodE*.
2. Utiliser les touches de produit pour entrer le code d'accès de programmation : 4 5 1 2. Appuyer sur la TOUCHE D'ENTRÉE (14). L'affichage du haut indique *SYS*.

Programmation du maintien

Le maintien permet au produit d'être tenu au chaud dans le four pendant un temps programmé et à une température programmée en appuyant sur la TOUCHE de PRISE (9).

1. Appuyer sur la TOUCHE DE SCANNAGE (15). L'affichage du haut indique *Hold*. Appuyer sur la TOUCHE BASCULER/EFFACER (11) pour basculer entre *YES* (oui) et *no* (non). Appuyer sur la TOUCHE DE SCANNAGE (15).

Si non est choisi :

- a.) Appuyer la TOUCHE DE SCANNAGE (15) pour passer à la programmation pour le mode de retard.

Si oui est choisi :

- a.) L'affichage du haut indique *HOLD*. L'affichage du bas fournit le temps de maintien en cours. Appuyer sur la TOUCHE BASCULER/EFFACER (11). Utiliser les touches de produit pour entrer un temps de maintien entre 0 et 9 heures. Appuyer sur la TOUCHE DE SCANNAGE (15) pour entrer le nouveau temps de maintien (HR:MN).
- b.) L'affichage du haut indique *HOLD*. L'affichage du bas fournit la température de maintien en cours. Appuyer sur la TOUCHE BASCULER/EFFACER (11). Utiliser les touches de produit pour entrer une température de maintien entre 60°C–99°C (140°F–210°F). Appuyer sur la TOUCHE DE SCANNAGE (15) pour entrer la nouvelle température de maintien.
- c.) L'affichage du haut indique *HFA*. L'affichage du bas fournit le mode de ventilateur en cours. Pour changer le mode de ventilateur, appuyer sur la TOUCHE BAS-

CULER/EFFACER (11). L'affichage du bas bascule entre *Hi* (haut) et *Lo* (bas). Appuyer sur la TOUCHE DE SCANNAGE (15) pour entrer le nouveau mode de ventilateur et continuer avec la programmation du mode de retard.

REMARQUE:DFG-50 est d'un vitesse.

Programmation du mode de retard

Le mode de retard fonctionne pour réduire la consommation d'énergie. Après une période sans utilisation (le temps de retard), la température du four décroît automatiquement pour atteindre la température de retard. Le four maintient cette température jusqu'à ce qu'une touche de produit soit enfoncée. Le temps minimum de retard est 20:00.

1. L'affichage du haut indique *SEtb*. L'affichage du bas fournit le mode de retard. Pour changer le retard, appuyer sur la TOUCHE BASCULER/EFFACER (11). L'affichage du bas bascule entre *YES* (oui) et *no* (non). Appuyer sur la TOUCHE DE SCANNAGE (15).

Si non est choisi :

- a.) Le contrôleur passe à la programmation du mode de température.

Si oui est choisi :

- a.) L'affichage du bas fournit le temps de retard en cours. Appuyer sur la TOUCHE BASCULER/EFFACER (11). Utiliser les touches de produit pour entrer le temps de retard souhaité. Appuyer sur la TOUCHE DE SCANNAGE (15) pour entrer le nouveau temps de retard.

REMARQUE:Le temps de retard minimum est 20:00. Le temps de retard maximum est 59:59.

- b.) L'affichage du bas fournit la température de retard en cours. Appuyer sur la TOUCHE BASCULER/EFFACER (11). Utiliser les touches de produit pour entrer une température de retard entre 60°C–149°C (140°F–300°F). Appuyer sur la TOUCHE DE SCANNAGE (15) pour entrer le nouveau retard et continuer avec la programmation du mode de température.



Utilisation

Contrôle du Blodgett IQ2™

Programmation du mode de température (°F ou °C)

1. L'affichage du haut indique *dEg*. L'affichage du bas fournit les unités. Pour changer les unités, appuyer sur la TOUCHE BASCULER/EFFACER (11). L'affichage du bas bascule entre *F* et *C*.
2. Appuyer sur la TOUCHE DE SCANNAGE (15) pour entrer les nouvelles unités de température et continuer avec la sensibilité d'étagère.

Programmation de la sensibilité d'étagère

Le contrôleur permet à l'utilisateur de programmer une valeur de sensibilité (0 à 9) pour chaque position d'étagère. La valeur de sensibilité diminue ou augmente le temps de cuisson en fonction de la position d'étagère.

REMARQUE: SEN1 est la position d'étagère du haut, SEN5 est la position d'étagère du bas.

1. L'affichage indique SEN1.
2. Appuyer sur la TOUCHE BASCULE/EFFACEMENT (TOGGLE/CLEAR) (11) pour effacer la valeur actuelle. Utiliser les nombres des clés du produit pour entrer une nouvelle valeur de sensibilité.
3. Appuyer sur la TOUCHE BALAYAGE (SCAN) (15) pour passer à la position d'étagère suivante SEN2.

Sortie du mode de programmation

1. L'affichage du haut indique *SYS*. Appuyer sur la TOUCHE PROG (10). Le contrôle retourne au mode opérationnel.

CODES D'ERREUR ET ALARMES

REMARQUE: Les codes d'erreur apparaissent sur l'affichage du haut. Tous les codes d'erreur s'accompagnent d'une alarme sonore.

Hi La température du four est à plus de 22°C (40°F) du point de consigne le plus haut.

Prob Défaillance de sonde.

HEAT ERR Après un démarrage à froid (au-dessous de 60°C), le four prend plus de 10 minutes à passer de 66-149°C. Appuyer sur la TOUCHE BASCULER/EFFACER (11) pour effacer l'invite. Ce code indique l'existence d'un problème dans le système. Contacter un technicien de service.

FAN ERR Signale une défaillance du ventilateur pendant une demande de chauffage. Appuyer sur la TOUCHE BASCULER/EFFACER (11) pour effacer l'alarme. L'affichage *FAN ERR* reste actif. Appuyer à nouveau sur la TOUCHE BASCULER/EFFACER (11) pour effacer le message et ramener le système à son fonctionnement normal. Si la condition persiste, arrêter le four et contacter un technicien de service.

FANC ERR Signale la défaillance d'un contact dans le circuit de contrôle du ventilateur. Appuyer sur la TOUCHE BASCULER/EFFACER (11) pour effacer l'alarme. L'affichage *FANC ERR* reste actif. Appuyer à nouveau sur la TOUCHE BASCULER/EFFACER (11) pour effacer le message et ramener le système à son fonctionnement normal. Si la condition persiste, arrêter le four et contacter un technicien de service.

DOOR OPEN Le contrôleur détecte l'ouverture de la porte. Fermer la porte. Si la porte est fermée, contacter un technicien de service.

Commande Cuisson et Maintien

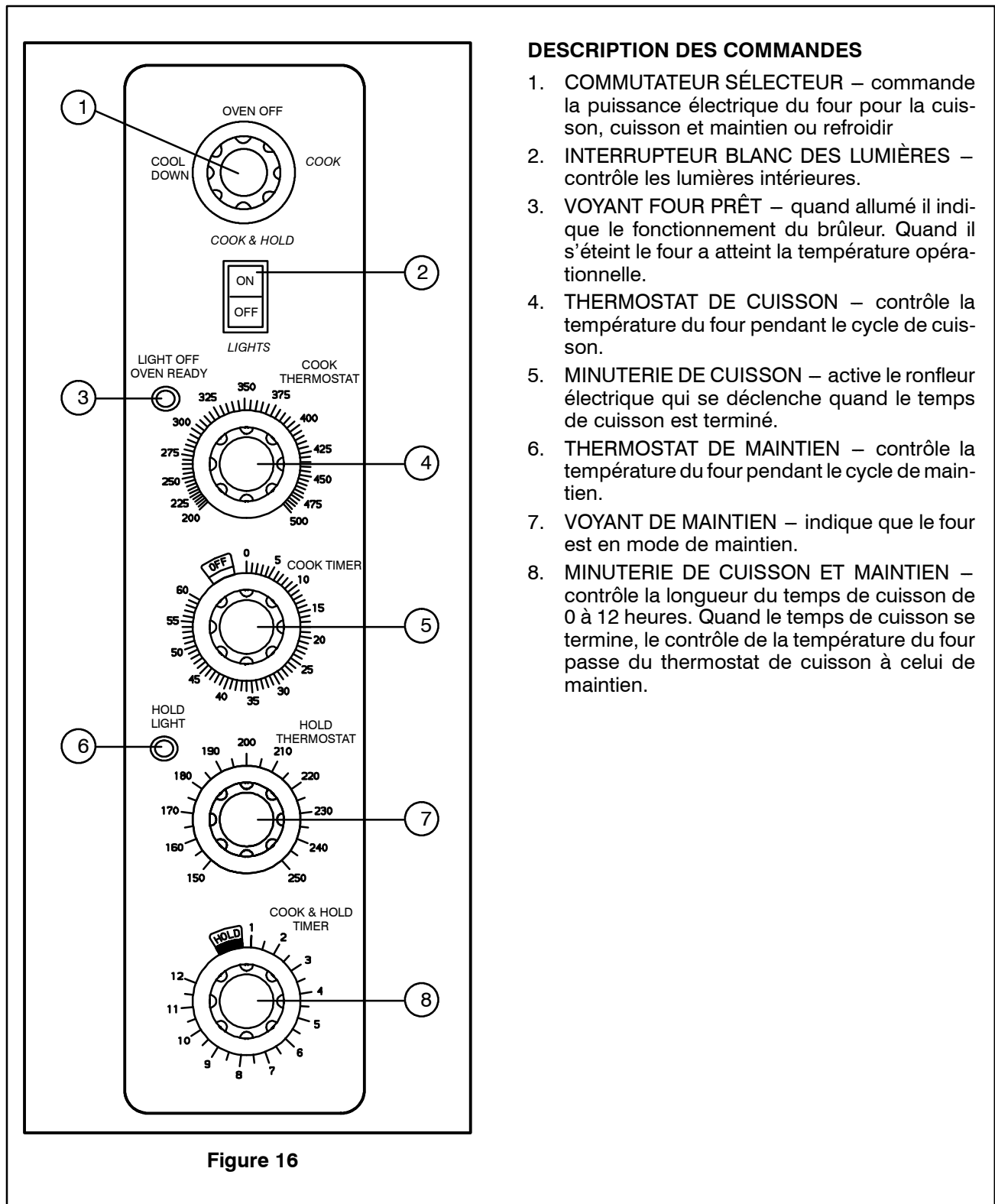


Figure 16

DESCRIPTION DES COMMANDES

1. COMMUTATEUR SÉLECTEUR – commande la puissance électrique du four pour la cuisson, cuisson et maintien ou refroidir
2. INTERRUPTEUR BLANC DES LUMIÈRES – contrôle les lumières intérieures.
3. VOYANT FOUR PRÊT – quand allumé il indique le fonctionnement du brûleur. Quand il s'éteint le four a atteint la température opérationnelle.
4. THERMOSTAT DE CUISSON – contrôle la température du four pendant le cycle de cuisson.
5. MINUTERIE DE CUISSON – active le ronfleur électrique qui se déclenche quand le temps de cuisson est terminé.
6. THERMOSTAT DE MAINTIEN – contrôle la température du four pendant le cycle de maintien.
7. VOYANT DE MAINTIEN – indique que le four est en mode de maintien.
8. MINUTERIE DE CUISSON ET MAINTIEN – contrôle la longueur du temps de cuisson de 0 à 12 heures. Quand le temps de cuisson se termine, le contrôle de la température du four passe du thermostat de cuisson à celui de maintien.



Utilisation

Commande Cuisson et Maintien

UTILISATION

Cuisson seulement :

1. Tourner le COMMUTATEUR SÉLECTEUR (1) sur *COOK (CUISSON)*. La soufflante et les ventilateurs de contrôle du refroidissement du compartiment fonctionnement et sont automatiquement contrôlés par l'action des portes.
2. Régler le THERMOSTAT DE CUISSON (4) sur la température désirée.
3. Préchauffer le four jusqu'à ce que le VOYANT FOUR PRÊT (3) s'éteigne.
4. Charger le produit dans le four. Régler la MINUTERIE DE CUISSON (5) sur le temps de cuisson désiré.
5. Quand le ronfleur se fait entendre, sortir le produit. Tourner la MINUTERIE DE CUISSON (5) sur *OFF (ARRÊT)* pour arrêter le ronfleur.
6. Tourner le COMMUTATEUR SÉLECTEUR (1) sur *OVEN OFF (ARRÊT FOUR)*.

Cuisson et maintien :

1. Tourner le COMMUTATEUR SÉLECTEUR (1) sur *COOK (CUISSON)*. La soufflerie et les ventilateurs de contrôle du refroidissement du compartiment fonctionnement et sont automatiquement contrôlés par l'action des portes.
2. Régler le THERMOSTAT DE CUISSON (4) sur la température désirée.
3. Régler le THERMOSTAT DE MAINTIEN (6) sur la température de maintien désirée.
4. Préchauffer le four jusqu'à ce que le VOYANT FOUR PRÊT (3) s'éteigne.
5. Charger le produit dans le four.
6. Tourner le COMMUTATEUR SÉLECTEUR (1) sur *COOK & HOLD (CUISSON ET MAINTIEN)*.
7. Régler la MINUTERIE DE CUISSON ET MAINTIEN (8) sur le temps de cuisson désiré.
8. Quand la cuisson se termine, le four passe sur *MAINTIEN* et le VOYANT DE MAINTIEN (7) s'allume.
9. Le four reste à la température de maintien jusqu'à ce que le produit soit sorti du four et que le four soit arrêté.

REMARQUE: Pendant le cycle MAINTIEN (HOLD), la soufflerie se met en marche et s'arrête en même temps que le brûleur.

10. Tourner le COMMUTATEUR SÉLECTEUR (1) sur *OVEN OFF (ARRÊT FOUR)*

REFROIDIR

1. Pour le fonctionnement REFROIDIR, régler le COMMUTATEUR SÉLECTEUR (1) sur *COOL DOWN (REFROIDIR)*.



AVERTISSEMENT!!

Une période d'arrêt complet de 5 minutes doit être observée avant le rallumage du four.

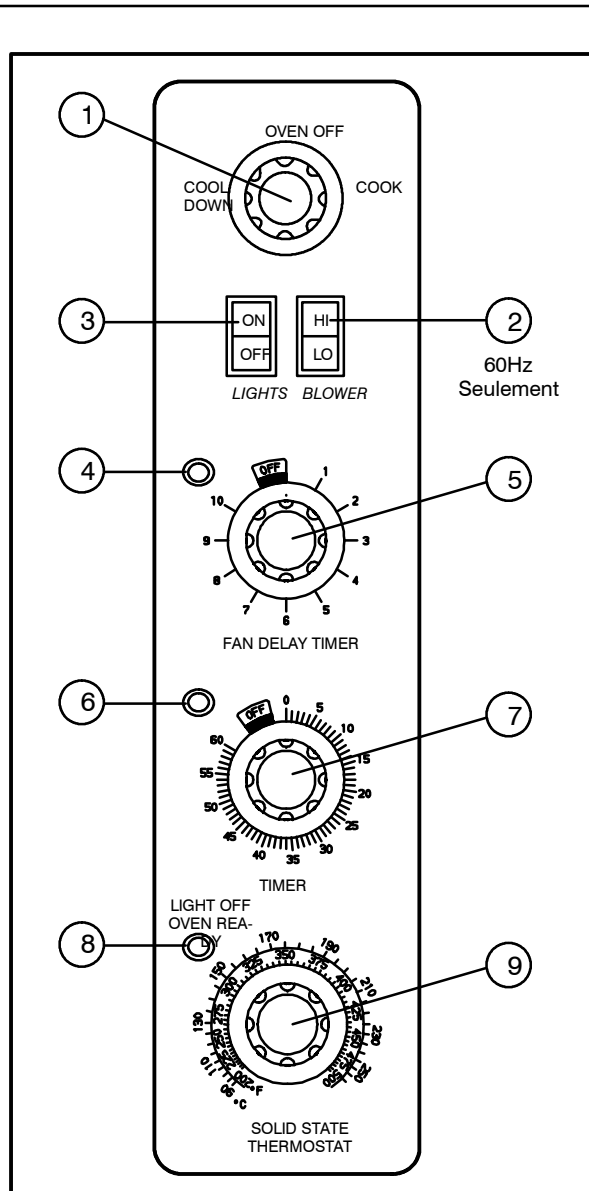


Figure 17

DESCRIPTION DES COMMANDES

1. COMMUTATEUR SÉLECTEUR – commande la puissance électrique du four pour la cuisson, ou pour refroidir.
2. INTERRUPTEUR DE LA SOUFFLERIE – contrôle la vitesse de la soufflerie, soit haute, soit basse. (60Hz seulement)
3. INTERRUPTEUR BLANC DES LUMIÈRES – contrôle les lumières intérieures.

4. VOYANT AMBRE DU DÉLAI DE VENTILATEUR – indique que le four est en pulse plus.
5. MINUTERIE DU DÉLAI DE VENTILATEUR – actionne pulse plus de 0 à 10 minutes. La soufflerie et les brûleurs pulsent pour 30 secondes en marche, 30 secondes à l'arrêt pour la durée du temps réglé.
6. VOYANT ROUGE INDICATEUR – indique que le four est en cycle de minuterie de cuisson.
7. MINUTERIE DE CUISSON – actionne un ronfleur électrique quand le temps de cuisson se termine.
8. VOYANT FOUR PRÊT – quand allumé il indique le fonctionnement du brûleur. Quand il s'éteint le four a atteint la température opérationnelle.
9. THERMOSTAT À SEMI-CONDUCTEURS – permet soit la sélection de 8 températures pré-réglées sélectionnées en accord avec les demandes du client, soit une infinité de sélections entre 95 et 260°C. (contrôle infini illustré)

UTILISATION

1. Placer le SÉLECTEUR DE MODE (1) sur COOK (CUISSON).
2. Régler le THERMOSTAT À SEMI-CONDUCTEURS (9) sur la température de cuisson désirée.
3. Préchauffer le four jusqu'à ce que le VOYANT FOUR PRÊT (8) s'éteigne.
4. Charger le produit dans le four.
5. Régler la MINUTERIE DE DÉLAI DE VENTILATEUR (5) pour le temps désiré de fonctionnement en pulse plus.
6. Régler la MINUTERIE DE CUISSON (7) sur le temps de cuisson désiré.
7. Quand le ronfleur se fait entendre, sortir le produit du four. Tourner la MINUTERIE (7) sur OFF (ARRÊT) pour arrêter le ronfleur.
8. Tourner le COMMUTATEUR SÉLECTEUR (1) sur OVEN OFF (ARRÊT FOUR).



AVERTISSEMENT!!

Une période d'arrêt complet de 5 minutes doit être observée avant le rallumage du four.



Utilisation

Humidaire

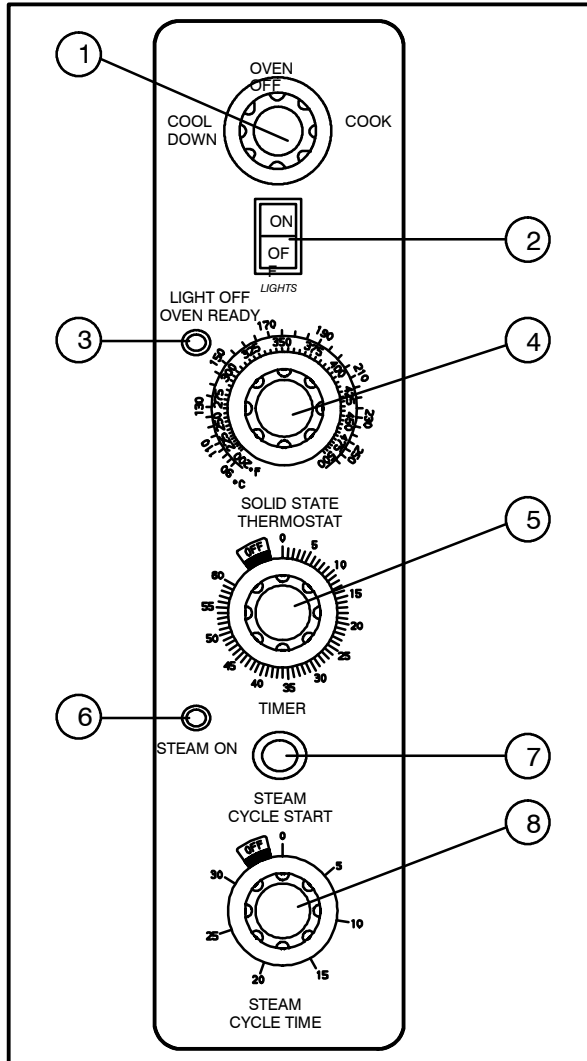


Figure 18

DESCRIPTION DES COMMANDES

1. **COMMUTATEUR SÉLECTEUR** – commande la puissance électrique du four pour la cuisson, ou pour refroidir.
2. **INTERRUPTEUR BLANC DES LUMIÈRES** – contrôle les lumières intérieures.
3. **VOYANT FOUR PRÊT** – quand allumé il indique le fonctionnement du brûleur. Quand il s'éteint le four a atteint la température opérationnelle.

4. **THERMOSTAT À SEMI-CONDUCTEURS** – permet soit la sélection de 8 températures pré-réglées sélectionnées en accord avec les demandes du client, soit une infinité de sélections entre 95 et 260°C. (contrôle infini illustré)
5. **MINUTERIE** – actionne un ronfleur électrique quand le temps de cuisson se termine qui alerte l'utilisateur de retirer le produit.
6. **VOYANT INDICATEUR DE VAPEUR** – s'allume quand la vapeur est injectée dans le four.
7. **BOUTON DÉPART DU CYCLE DE VAPEUR** – actionne l'injection de vapeur pour un cycle complet.
8. **INTERRUPTEUR DU TEMPS DU CYCLE DE VAPEUR** – règle la longueur du cycle de vapeur entre 0 et 30 secondes.

UTILISATION

1. Placer le **SÉLECTEUR DE MODE (1)** sur **COOK (CUISSON)**.
2. Régler le **THERMOSTAT À SEMI-CONDUCTEURS (4)** sur la température de cuisson désirée.
3. Préchauffer le four jusqu'à ce que le **VOYANT FOUR PRÊT (3)** s'éteigne.
4. Charger le produit dans le four. Régler la **MINUTERIE (5)** sur le temps de cuisson désiré.
5. Régler l'**INTERRUPTEUR DU TEMPS DU CYCLE DE VAPEUR (8)** pour la longueur de temps d'injection de vapeur désirée.
6. Appuyer sur le **BOUTON DÉPART DU CYCLE DE VAPEUR (7)**. Quand la température est à ou au-dessus de 107°C (225°F) la soupape à solénoïde s'ouvre. Le voyant bleu indicateur (6) de VAPEUR EN MARCHÉ s'allume. Le cycle d'injection de vapeur peut être répété aussi souvent que désiré.
7. Quand le ronfleur se fait entendre, sortir le produit du four. Tourner la **MINUTERIE (5)** sur **OFF (ARRÊT)** pour arrêter le ronfleur.
8. Tourner le **COMMUTATEUR SÉLECTEUR (1)** sur **OVEN OFF (ARRÊT FOUR)**.



AVERTISSEMENT!!

Une période d'arrêt complet de 5 minutes doit être observée avant le rallumage du four.

Intelliplus avec Commandes à Enchaînement

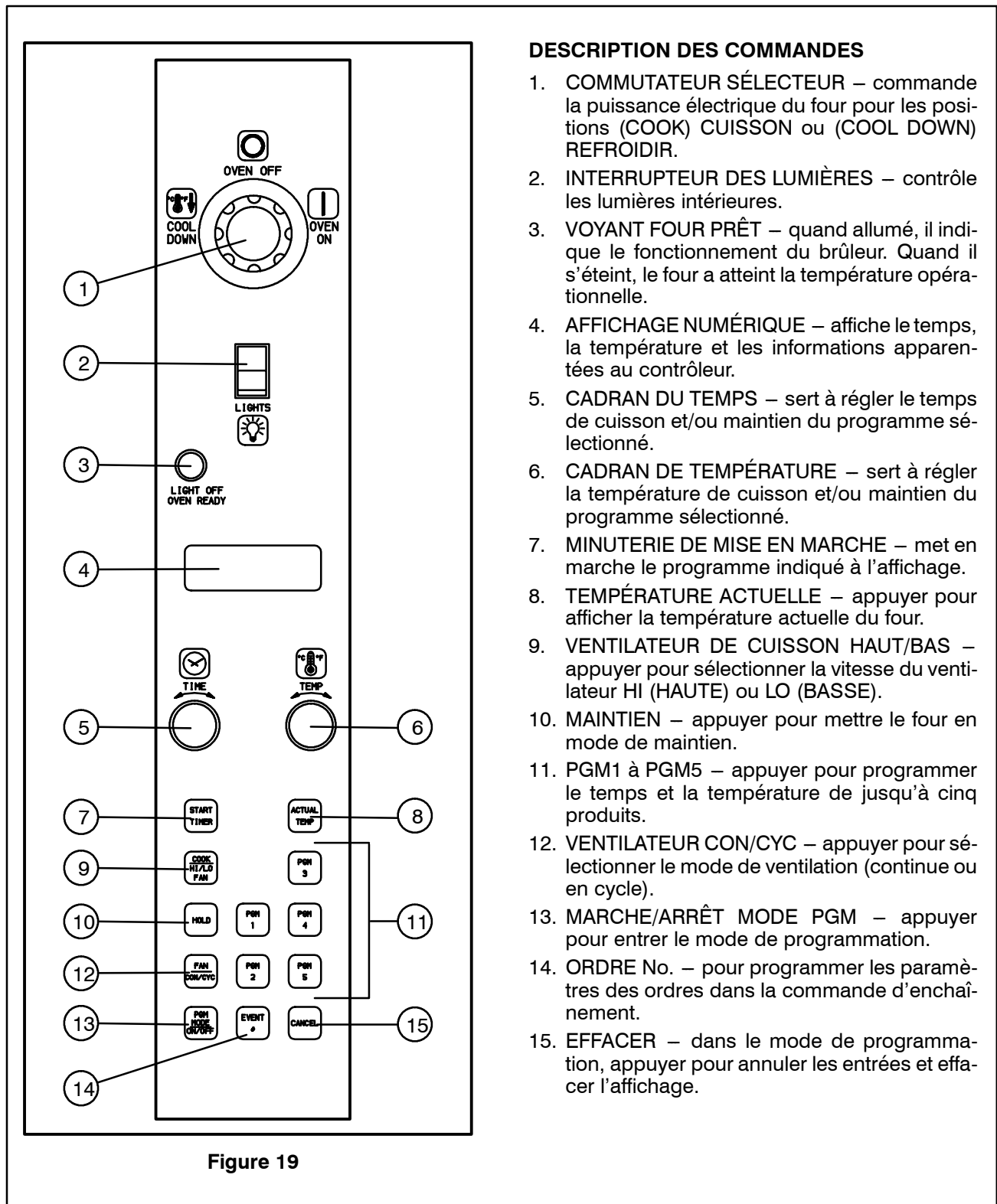


Figure 19

DESCRIPTION DES COMMANDES

1. COMMUTATEUR SÉLECTEUR – commande la puissance électrique du four pour les positions (COOK) CUISSON ou (COOL DOWN) REFROIDIR.
2. INTERRUPTEUR DES LUMIÈRES – contrôle les lumières intérieures.
3. VOYANT FOUR PRÊT – quand allumé, il indique le fonctionnement du brûleur. Quand il s'éteint, le four a atteint la température opérationnelle.
4. AFFICHAGE NUMÉRIQUE – affiche le temps, la température et les informations apparentées au contrôleur.
5. CADRAN DU TEMPS – sert à régler le temps de cuisson et/ou maintien du programme sélectionné.
6. CADRAN DE TEMPÉRATURE – sert à régler la température de cuisson et/ou maintien du programme sélectionné.
7. MINUTERIE DE MISE EN MARCHÉ – met en marche le programme indiqué à l'affichage.
8. TEMPÉRATURE ACTUELLE – appuyer pour afficher la température actuelle du four.
9. VENTILATEUR DE CUISSON HAUT/BAS – appuyer pour sélectionner la vitesse du ventilateur HI (HAUTE) ou LO (BASSE).
10. MAINTIEN – appuyer pour mettre le four en mode de maintien.
11. PGM1 à PGM5 – appuyer pour programmer le temps et la température de jusqu'à cinq produits.
12. VENTILATEUR CON/CYC – appuyer pour sélectionner le mode de ventilation (continue ou en cycle).
13. MARCHÉ/ARRÊT MODE PGM – appuyer pour entrer le mode de programmation.
14. ORDRE No. – pour programmer les paramètres des ordres dans la commande d'enchaînement.
15. EFFACER – dans le mode de programmation, appuyer pour annuler les entrées et effacer l'affichage.



Utilisation

Intelliplus avec Commandes à Enchaînement

UTILISATION DE CUISSON

1. Tourner le cadran de TEMPÉRATURE (6) sur la température de cuisson désirée de 66 à 260°C. Tourner le cadran dans le sens des aiguilles d'une montre pour augmenter la température et dans le sens inverse pour la diminuer.
2. Appuyer sur la touche VENTILATEUR DE CUISSON HAUT/BAS (9) jusqu'à ce que l'affichage (4) montre *HIFAN* (ventilhaut). Appuyer à nouveau sur la touche pour sélectionner la basse vitesse du ventilateur. L'affichage montre *LOFAN* (ventilbas).
3. Appuyer sur la touche VENTILATEUR CON/CYC (12) jusqu'à ce que l'affichage montre *FAN CON* (ventil con). Appuyer à nouveau sur la touche pour obtenir le fonctionnement du ventilateur en cycle. L'affichage montre *FAN CYC*. Le ventilateur cycle en marche et arrête à 30 secondes d'intervalle à la vitesse sélectionnée avec la touche VENTILATEUR DE CUISSON HAUT/BAS (9).
4. Tourner le cadran TEMPS (5) sur le temps de cuisson désiré entre 5 secondes et 12 heures. Tourner le cadran dans le sens des aiguilles d'une montre pour augmenter le temps de cuisson et dans le sens inverse pour le diminuer. Quand les chiffres et les deux points du temps clignotent à l'affichage, le cycle de cuisson est réglé mais n'est pas mis en marche.
5. Quand l'affichage montre la température réglée, appuyer sur la touche MINUTERIE DE MISE EN MARCHÉ (7) pour mettre en marche le cycle de cuisson. Le temps peut être changé à n'importe quel moment pendant le cycle de minuterie en tournant le cadran TEMPS (5) dans le sens des aiguilles d'une montre ou dans le sens inverse. Pour annuler le compte à rebours, appuyer sur la touche EFFACER (15).

REMARQUE: Pour afficher la température à l'intérieur du four appuyer et maintenir appuyée la touche TEMPÉRATURE ACTUELLE (8).

6. Quand la minuterie est arrivée à zéro, appuyer sur la touche EFFACER (15) pour arrêter l'alarme.

UTILISATION DE CUISSON ET MAINTIEN

1. Tourner le cadran de TEMPÉRATURE (6) sur la température de cuisson désirée de 66 à 260°C. Tourner le cadran dans le sens des aiguilles d'une montre pour augmenter la température et dans le sens inverse pour la diminuer.
2. Appuyer sur la touche VENTILATEUR DE CUISSON HAUT/BAS (9) jusqu'à ce que l'affichage (4) montre *HIFAN* (ventilhaut). Appuyer à nouveau sur la touche pour sélectionner la basse vitesse du ventilateur. L'affichage montre *LOFAN* (ventilbas).
3. Tourner le cadran TEMPS (5) sur le temps de cuisson désiré. Tourner le cadran dans le sens des aiguilles d'une montre pour augmenter le temps de cuisson et dans le sens inverse pour le diminuer.
4. Appuyer sur la touche MAINTIEN (10). L'affichage montre *HOLD* (maintien). Tourner le cadran TEMPÉRATURE (6) jusqu'à la température de maintien désirée.
5. Appuyer sur la touche VENTILATEUR CON/CYC (12) pour régler le mode du ventilateur. Si le ventilateur en cycle est sélectionné, la touche *CYC* reste allumée.

REMARQUE: Quand VENTIL/CYC est sélectionné dans le mode de maintien, le ventilateur cycle marche-arrêt avec les éléments de chauffage.

6. Quand le four atteint la température réglée, appuyer sur la touche MINUTERIE DE MISE EN MARCHÉ (7) pour démarrer le cycle de cuisson. L'affichage clignote la vitesse du ventilateur puis compte à rebours le temps de cuisson. La touche de maintien clignote jusqu'à la fin du temps de cuisson.
7. Quand le four entre en mode de maintien la touche de maintien reste allumée. La minuterie commence à compter pour indiquer le temps qui passe. Si le ventilateur fonctionne en cycle, il cycle marche-arrêt à basse vitesse.

Intelliplus avec Commandes à Enchaînement

REMARQUE: Si la température de maintien est plus basse que la température actuelle du four, le ventilateur s'arrête. Les chiffres de la température clignotent jusqu'à ce que la température du four soit descendue à la température de maintien désirée.

8. Pour afficher la température à l'intérieur du four, appuyer et maintenir la touche TEMPÉRATURE ACTUELLE (8).

REMARQUE: Appuyer sur la touche EFFACER (15) à tout moment pour annuler le cycle en cours.

PROGRAMMATION À ENCHAÎNEMENT

REMARQUE: Program keys 1 and 2 can have up to six events. Program keys 3-5 can have up to 4 events.

1. Appuyer sur la touche MARCHÉ/ARRÊT MODE PGM (13) pour entrer le mode de programmation. PGM clignote. Le fonctionnement normal du four est arrêté.
2. Appuyer sur la touche PGM No. (11) pour sélectionner l'enchaînement qui doit être programmé. La touche PGM NO. appropriée clignote et reste allumée. L'ordre No.1 temps et température sont indiqués à l'affichage. E1 s'affiche alternativement avec la température.
3. Tourner le cadran TEMPÉRATURE (6) pour régler la température.
4. Sélectionner ventilbas ou ventilhaut en appuyant sur la touche VENTILATEUR DE CUISSON HAUT/BAS (9).
5. Sélectionner ventilateur con ou ventilateur cyc en appuyant sur la touche VENTILATEUR CON/CYC (12). CYC reste allumé si la ventilation en cycle est sélectionnée.
6. Tourner le cadran TEMPS (5) pour régler le temps de cuisson.

REMARQUE: Si le temps est réglé sur zéro (0), l'ordre est ignoré.

7. Appuyer sur la touche ORDRE No. (14). Le temps et la température de l'Ordre No.2 sont à l'affichage. E2 s'affiche alternativement avec la température.

8. Régler la température, la vitesse du ventilateur, le mode de ventilation et le temps.
9. Appuyer sur la touche ORDRE No. (14) pour passer à l'ordre suivant. Entrer les paramètres désirés pour cet ordre. Si le mode MAINTIEN est désiré, il doit être le dernier ordre d'une chaîne. Tout ordre entrés après le mode MAINTIEN sera ignoré.
10. Pour programmer une autre chaîne d'ordres, appuyer sur une touche PGM No. (11) différente puis appuyer sur la touche ORDRE (14).
11. Entrer jusqu'à cinq (5) programmes en utilisant toutes les touches PGM No.
12. Appuyer sur la touche MARCHÉ/ARRÊT MODE PGM (13) pour sortir du mode de programmation. PGM No. disparaît de l'affichage et le fonctionnement normale du four se remet en marche.

Pour ajouter de nouveau programme ou pour changer les paramètres d'un programme existant, répéter les étapes de 1 à 12 suivant ce qui est nécessaire.

SÉLECTION DE PROGRAMME

1. Pour sélectionner une séquence de programme, appuyer sur la touche PGM No. (11) désirée. PGM No. s'allume. A ce moment le four commence à chauffer pour atteindre la température de cuisson programmée dans l'ordre No.1 de la chaîne. E1 s'allume et les options E1 sont affichées. La longueur de temps indiquée à l'affichage est la somme de temps totale de tous les ordres programmés.
2. Appuyer sur la touche MINUTERIE DE MISE EN MARCHÉ (7) pour démarrer une séquence programmée d'ordres.
3. Appuyer sur la touche ORDRE No. (14) pour afficher le temps restant dans la chaîne d'ordre en cours. Le temps reste affiché pendant environ 5 secondes.
4. Appuyer sur la touche TEMPÉRATURE ACTUELLE (8) pour afficher la température actuelle à l'intérieur du four.
5. Appuyer sur la touche EFFACER (15) pour arrêter une séquence active de programme.



Utilisation

Intellitouch II

The diagram shows the control panel of an Intellitouch II oven. At the top right is the 'OVEN ON' button (1) and 'OVEN OFF' button (2). To the left is the 'LIGHTS' button (3). Below these is a digital display (4) showing 'HOURS MINUTES SECONDS'. A 'HEAT' indicator light (5) is located below the display. The main control area includes: 'PROG/ENTER' (6), 'CLEAR' (7), 'POWER ON/OFF' (8), 'TEMP' (9), 'TIME COOL/DOWN' (10), 'PAUSE' (11), 'RECIPE' (12), 'SCAN' (13), and 'MANUAL COOK & HOLD' (14). At the bottom is a numeric keypad (15) with letters A through S and numbers 1 through 8. The 'OVEN ON' and 'OVEN OFF' buttons are also labeled with 'OVEN ON' and 'OVEN OFF' respectively.

DESCRIPTION DES COMMANDES

1. INTERRUPTEUR MARCHE/ARRÊT – commande la mise sous tension du four.
2. LUMIÈRES MARCHÉ – commande des lumières intérieures.
3. AFFICHAGE – affiche les informations du contrôleur.
4. VOTANT DE CHAUFFAGE – s’allume quand le four chauffe, quand il s’éteint le four est à température opérationnelle.
5. TOUCHE PROG/ENTRER – sélectionne les modes de programmation, présente les options de programmation, et entre en mémoire les valeurs programmées. En mode manuel, démarre la minuterie.
6. TOUCHE EFFAÇAGE – Efface le mode choisi et remet le contrôleur au départ du mode choisi.
7. TOUCHE MARCHÉ/ARRÊT – commande la mise sous tension du contrôleur.
8. TOUCHE DE TEMPÉRATURE – affiche le réglage de température et/ou la température réelle du four.
9. TOUCHE TEMPS / REFROIDISSEMENT – règle le temps de cuisson quand le contrôleur est en mode manuel. Met en marche le ventilateur de refroidissement quand en mode sélectionné.
10. PAUSE – Pause un cycle de cuisson.
11. TOUCHE DE RECETTE – affiche le programme de recette pour une touche de produit sélectionné.
12. TOUCHE SCAN – affiche les recettes des produits actifs.
13. TOUCHE MANUELLE/CUISSON ET ATTENTE – règle cuisson et attente quand en mode sélectionné.
14. TOUCHES DE PRODUIT – assigne une touche à une recette programmée. Démarre le processus de cuisson programmée.
15. TOUCHES ÉTAGÈRES/PROGRAMME – en mode de programmation, entre les données numériques et l'identification des étagères pendant une cuisson à un niveau.

Figure 20



MÉTHODE DE PROGRAMMATION

REMARQUE: Pour entrer une valeur numérique appuyer sur l'une des touches numériques 1–8 (15) Appuyez sur la touche de produit (14) P pour obtenir le chiffre 9, et sur la touche de produit O pour obtenir le chiffre 0.

1. Placer l'interrupteur MARCHE/ARRÊT (1) sur MARCHE. Le contrôleur affiche OFF.
2. Appuyer sur la touche MARCHE/ARRÊT (7). Le contrôleur affiche SELECT.
3. Appuyer sur la touche PROG/ENTRER (5).
4. Quand le contrôleur affiche CODE–? CODE entrer le code du Directeur pour valider le mode de programmation. Appuyer sur la touche PROG/ENTRER (5). Le contrôleur affiche –PROM–?.

REMARQUE: Le code du directeur contrôle empêche les changements de programmation du contrôleur non-autorisés. Le code doit être entré avant que le contrôleur au mode program. Le code implicite de l'usine est BAKE. Pour référence ultérieure, conserver une copie du code implicite du directeur dans un endroit sûr.

5. Quand le contrôleur affiche PROG–? appuyer sur l'une des touches de produit de A à P (14). Le voyant sélectionné s'allume.
6. Quand le contrôleur affiche PRHEAT TEMP–? entrer une température de préchauffage. Appuyer sur PROG/ENTRER (5) pour avancer le contrôleur.
7. Quand le contrôleur affiche CURVE–? COMP entrer une valeur de deux chiffres. Appuyer sur PROG/ENTRER (5) pour avancer le contrôleur. (Valeurs de 0 à 15).
8. Quand le contrôleur affiche STAGE 1 TEMP–? entrer une température de cuisson pour le produit sélectionné. Appuyer sur PROG/ENTRER (5) pour avancer le contrôleur.
9. Quand le contrôleur affiche STAGE 1 TIME–? entrer un temps de cuisson pour le produit sélectionné. Appuyer sur PROG/ENTRER (5) pour avancer le contrôleur.
10. Utiliser quelqu'un touches pour basculer la vitesse du ventilateur sur HAUT, BAS ou ARRÊT

pour le produit sélectionné. Si un réglage du ventilateur haut or bas est choisi, le contrôleur affiche FAN MODE–? Utiliser quelqu'un touches pour basculer le mode du ventilateur sur CONT (continu) cycle ou impulsion.

11. Répéter les étapes de 8 à 10 pour des stages supplémentaires.

REMARQUE: Si des stages supplémentaires ne sont pas nécessaires, entrer une température de 0° pour arrêter le programme.

12. Quand le contrôleur affiche SAVE PROD–? appuyer sur PROG/ENTRER (5) pour sauvegarder les réglages du produit et retourner à SÉLECT.

REMARQUE: Le four ne préchauffe pas sauf si un programme est validé ou si une température a été réglée en mode manuel.

COURBES DE COMPENSATION

Les courbes de compensation sont des algorithmes mathématiques qui ajustent le régime de la minuterie de compte à rebours pour compenser les variations de température du four au-dessus ou au-dessous de la température réglée. Les courbes de compensation décalent les valeurs de temps pour les conditions variables qui agissent sur la température du four ce qui permet d'obtenir des résultats consistants.

Si la température du four est au-dessus de la température réglée la commande accélère le régime du compte à rebours de telle façon que le temps de 1 seconde s'écoulant sur l'ordinateur soit plus court qu'une seconde réelle.

Choix d'une courb de compensation

1. Développer une recette pour un produit spécifique, utilisant une dimension de charge minimum et une courbe de compensation de 0 (c–à–d, pas de compensation, 1 seconde comptée à rebours = 1 seconde réelle).
2. Utiliser la dimension de charge maximum pour ce produit. Entrer une courbe de compensation de "7". Comparer le résultat avec celui de la charge minimum.



Utilisation

Intellitouch II

3. Si la dimension de charge maximum est moins foncée que la dimension de charge minimum, utiliser une valeur de courbe de compensation plus élevée et recommencer. Si la dimension de charge maximum est plus foncée que la dimension de charge minimum, utiliser une valeur de courbe de compensation plus basse et recommencer. Répéter jusqu'à ce que les résultats de la charge maximum soient comparables avec ceux de la charge minimum.

MÉTHODE MANUELLE DE CUISSON

1. Placer l'interrupteur MARCHE/ARRÊT (1) sur MARCHE.
2. Quand le contrôleur affiche *SELECT* appuyer sur la touche MANUELLE/CUISSON ET ATTENTE (13) pour entrer en mode manuel. Le contrôleur affiche *MANUEL*.
3. Appuyer sur la touche PROG/ENTRER (5) puis sur la touche TEMP (8). Quand le contrôleur affiche °F entrer une température de cuisson.
4. Si la température actuelle du four est moindre que la température définie, le contrôleur affiche *WAIT LOW*.
5. Appuyer sur la touche PROG/ENTRER (5) puis sur la touche TEMPS/REFROIDISSEMENT (9). Quand le contrôleur affiche ____0 utiliser les touches numériques pour entrer un temps de cuisson. Appuyer sur la touche PROG/ENTRER (5). Le contrôleur commence le compte à rebours et démarre le processus de cuisson.
6. Appuyer sur la touche TEMP. (8) une fois pour afficher le réglage de la température. Appuyer une fois de plus pour afficher la température réelle du four.
7. Appuyer deux fois sur la touche CLEAR (6) pour retourner au mode *SELECT* à partir du mode *MANUEL*.
8. Quand le contrôleur affiche *SELECT* appuyer sur la touche TEMPS/REFROIDISSEMENT (9).

MÉTHODE DE CUISSON PROGRAMMÉE

1. Appuyer sur la touche MARCHE/ARRÊT (7) . Le contrôleur affiche *SELECT*.
2. Quand le contrôleur affiche *SELECT*, appuyer sur la TOUCHE DE PRODUIT entre A et P (14).
3. Le contrôleur affiche *WAIT LOW* (attente basse) si le four doit chauffer jusqu'à la température de préchauffage programmée. Le contrôleur affiche *WAIT HIGH* (attente haute) si le four à besoin de se refroidir jusqu'à la température de préchauffage programmée. Appuyer sur la touche du produit désiré pour déclencher la minuterie.

REMARQUE: Si le produit est un article de simple stage/simple étagère, la minuterie de l'étagère peut être utilisé en appuyant sur le numéro d'étagère approprié. Si le produit est chargé en lot, la minuterie démarre automatiquement.

4. Le contrôleur affiche *DONE*. Le ronfleur se fait entendre. Appuyer sur la touche CLEAR (6) pour arrêter le ronfleur.
5. Quand le contrôleur affiche *SELECT* appuyer sur la touche RECETTE (11). Quand le contrôleur affiche *PROD-?* appuyer sur la touche A-P (14). du produit désiré. L'affichage fait le cycle des réglages en mémoire pour le produit sélectionnés. Pour avancer l'affichage manuellement appuyer sur la touche SCAN (12).



AVERTISSEMENT!!

Une période d'arrêt complet de 5 minutes doit être observée avant le rallumage du four.

Principe de la Fonction de Cuisson et Maintien

Avec la fonction en option de CUISSON ET MAINTIEN, la viande peut être rôtie à des températures plus basses pendant de plus longues périodes de temps. Ceci préserve le goût et la tendreté de la viande et l'empêche de se dessécher. Il y a trois phases pour rôtir en cuisson et maintien.

- **Cuisson Primaire**, - la durée du cycle de cuisson est contrôlée par la MINUTERIE DE CUISSON ET DE MAINTIEN. La viande rôtit à basse température jusqu'à atteindre les deux tiers de sa cuisson environ.
- **Cuisson à partir de chaleur emmagasinée** – quand le temps de cuisson primaire se termine, le four passe automatiquement sur MAINTIEN (HOLD). Le produit continue de cuire à la chaleur emmagasinée dans le four. La viande doit rester dans le cycle de maintien pour un minimum de 1-1/2 à 2 heures avant d'être servie.
- **Maintien** – maintien les produits pendant plusieurs heures avant de les servir sans perte de jus ou de tendreté.

Toute viande doit être complètement décongelée par réfrigération. Utiliser de la viande congelée

augmente le temps de cuisson et cause sa réduction de volume.

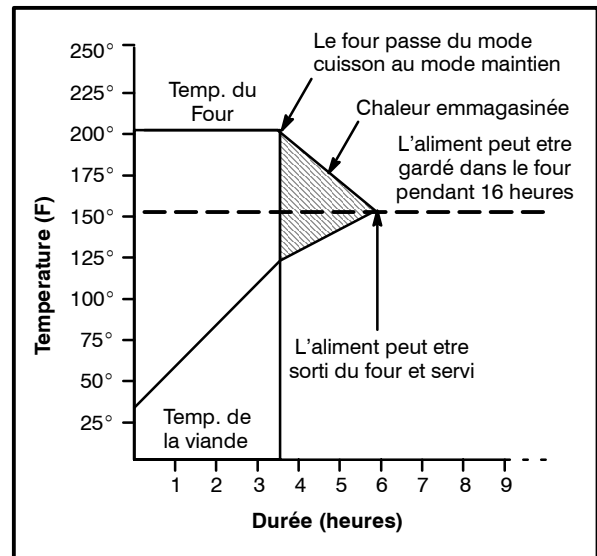


Figure 21

Aliment	Temp. Cuisson	Temp. Maintien	Quantité	Durée Cuisson (Heures)	Min. Hold Time (Hrs)	Total Time (Hrs)
Côte de Choix, Non désossé découvert 14-18 lbs. (6.4-8.1 kg)	200°F 93°C	140°F 60°C	1	3	1	4
			3	3-1/4	1-1/2	4-3/4
			6	3-1/2	2	5-1/2
Côte de Choix, Non désossé couvert 14-18 lbs. (6.4-8.1 kg)	200°F 93°C	140°F 60°C	1	3-1/2	1	4-1/2
			3	4	1-1/2	5-1/2
			6	4-1/2	2	6-1/2
Tranches Grasses Rounds 20-22 lbs. (9.1-10.0 kg)	200°F 93°C	140°F 60°C	1	3-1/2	1	4-1/2
			3	4	1-1/2	5-1/2
			6	4-1/2	2	6-1/2
Rôti de Porc ou Jambon 10-12 lbs. (4.5-5.4 kg)	250°F 121°C	170°F 76°C	2	4	1	5
			4	4-1/4	1-1/2	5-3/4
			6	4-1/2	2	6-1/2
Dinde 20-22 lbs. (9.1-10.0 kg)	250°F 121°C	170°F 76°C	1	3-1/4	1	4-3/4
			6	4	1-1/2	5-1/2
Gigot de Mouton non désossé in 8-10 lbs. (4.36-4.5 kg)	225°F 107°C	160°F 71°C	2	2-1/2	1	3-1/2
			4	2-3/4	1-1/2	4-1/4
			6	3	2	5



Utilisation

Consignes Générales à l'Intention des Utilisateurs

TEMPS ET TEMPÉRATURES DE CUISSON

Préchauffage du four

Toujours préchauffer le four avant de cuire ou de rôtir. Nous recommandons un préchauffage de 10°C (50°F) supérieur à la température de cuisson pour compenser la chute de température quand les portes sont ouvertes et qu'un produit froid est chargé dans le four. Régler le thermostat sur la température de cuisson une fois que le produit est chargé.

REMARQUE: Pour les produits congelés, préchauffer le four de 38°C (100°F) au-dessus de la température de cuisson.

La Température de Cuisson

Généralement, les températures de cuisson doivent être de 10°C (50°F) plus basses que les températures de recettes pour four de cuisinière ou plateforme. Si les bords du produit sont cuits mais que le centre est cru, ou s'il y a des variations de couleur, réduire le réglage du thermostat de 10–15°C (15–25°F) de plus. Continuer à réduire la température de cuisson sur des charges successives jusqu'à ce que des résultats satisfaisants soient obtenus.

REMARQUE: Une température excessive, ne réduit pas la durée de cuisson, mais produit des résultats insatisfaisants.

La Durée de Cuisson

Vérifiez l'aliment après une durée de cuisson représentant environ la moitié de la durée recommandée pour les fours ordinaires. Notez vos durées et températures optimales pour référence future.

REMARQUE: La durée de cuisson varie en fonction de la quantité cuite, du type de plat utilisé et de la température sélectionnée.

CONSEILS

Plats et grilles

La hauteur de l'aliment ou du plat détermine le nombre de grilles utilisables. Le four peut recevoir

un maximum de 10 plaques à petits pains de 18 x 26 po (457 x 660 mm).

Charger le four en commençant par le bas, centrer les plats sur la grille. Ne jamais placer un plat ou une feuille d'aluminium sur le fond du four. Ceci obstrue la circulation d'air et résulte en cuissons ou en rôtissages irréguliers.

Rotissage

Pour réduire la contraction des viandes rôties, placez la viande directement sur les grilles et placez un plat en métal à moitié rempli d'eau au niveau de la grille du bas. En s'évaporant, l'eau du plat augmente l'humidité dans la chambre de cuisson. Le plat sert, de plus, à recueillir la graisse de la viande et le nettoyage du four s'en trouve facilité.

Cuisson

Peser le produit pour assurer une distribution égale dans chaque plat. Des quantités variables de produits causeront des cuissons inégales.

Ventilateurs

Pour que le four chauffe, le ventilateur doit fonctionner. Utiliser la caractéristique Pulse Plus pour empêcher les produits légers ou liquides de "moutonner" vers le ventilateur. Si le four n'est pas équipé de cette caractéristique, suivre le procédé ci-après.

1. Préchauffer le four 15°C (25°F) au-dessus de la température de cuisson.
2. Charger le four avec le produit. Fermer les portes.
3. Régler le thermostat sur la température de cuisson.
4. Arrêter le four.
5. Laisser le produit reposer pendant 5 à 7 minutes sans ventilateur. La chaleur résiduelle dans le four fige le produit.
6. Allumer le four pour le reste du temps de cuisson.

Lumières

Éteindre les lumières du four quand on ne regarde pas le produit. Laisser les lumières allumées pendant de longues périodes raccourci considérablement la durée utile des ampoules.

Durées et Températures Suggérées

Aliment	Température	Durée	Étagères
Viandes			
Hamburgers (5 pâtés/lb)	400°F (205°C)	8-10 mins.	10
Gîte (80 lbs, en quartiers)	275°F (135°C)	2 hrs 45 mins.	2
Côte de choix (20 lbs, dégraissé, saignant)	235°F (115°C)	2 hrs 45 mins.	2
Contre-filet (portions de 10 oz)	450°F (235°C)	7-8 mins.	5
Steak suisse après braisage	275°F (135°C)	1 hr.	5
Côtelette de porc farcie	375°F (190°C)	25-30 mins.	5
Rôti de veau désossé (15 lbs)	300°F (150°C)	3 hrs. 10 mins.	2
Côtelettes d'agneau (premières)	400°F (205°C)	7-8 mins.	5
Lard (sur grilles en plats de 18 x 26 po)	400°F (205°C)	5-7 mins.	10
Volailles			
Blanc et cuisse de poulet	350°F (175°C)	40 mins.	5
Dos et aile de poulet	350°F (175°C)	35 mins.	5
Poulet (2 1/2 lbs, en quartiers)	350°F (175°C)	30 mins.	5
Roulé de dinde (roulés de 18 lbs)	310°F (155°C)	3 hrs 45 mins.	3
Poisson et Fruits de Mer			
Steaks de flétan, morue (surgelés, 5 oz)	350°F (175°C)	20 mins.	5
Homard farci (2-1/2 lbs)	400°F (205°C)	10 mins.	3
Queue de homard (surgelées)	425°F (220°C)	9 mins.	5
Fromages			
Macaroni au gratin	350°F (175°C)	30 mins.	5
Croque-Monsieur	400°F (205°C)	8 mins.	10
Pommes de Terre			
Au four (120 ct)	400°F (205°C)	50 mins.	5
Pommes de terre rôties	325°F (165°C)	10 mins.	5
Pains et Pâtisseries			
Tourtes aux baies, surgelées (22 oz)	325°F (150°C)	35 mins.	5 (30 tourtes)
Tourte aux pommes, fraîche (20 oz)	350°F (175°C)	25-30 mins.	5 (30 tourtes)
Tartes au potiron (32 oz.)	300°F (150°C)	30-50 mins.	5 (20 tourtes)
Croquant aux fruits	300°F (150°C)	25 mins.	5
Pain (24 - 1 lb)	325°F (155°C)	30 mins.	3
Pain à la farine de maïs (cornbread)	375°F (190°C)	15-20 mins.	5
Petits pains au lait	400°F (205°C)	6 mins.	5
Petits pains à chauffer	350°F (175°C)	15 mins.	5
Grands gâteaux (5 lbs de pâte par plaque)	325°F (160°C)	16-18 mins.	5
Gâteau au chocolat	325°F (160°C)	20 mins.	5
Brownies	325°F (150°C)	15 mins.	5

REMARQUE: Les durées et températures de cuisson peuvent varier grandement par rapport à celles indiquées ci-dessus. Le poids de la charge, la température des aliments, la recette, le type de plat et l'étalonnage du thermostat entrent tous en jeu. Notez les durées et températures avérées de vos recettes pour référence future.



Entretien

Nettoyage et Entretien Préventif

NETTOYAGE DES FOURS

Les fours peints et en acier inoxydable peuvent être conservés en bon état si on les nettoie avec une huile légère.

1. Imprégner un chiffon de cette huile et frotter le four lorsque celui-ci est froid.
2. L'essuyer avec un chiffon propre et sec.

Sur les surfaces intérieures et extérieures en acier inoxydable, les dépôts de pâtes, huile, graisse ou les taches peuvent être ôtées à l'aide de l'un des produits non-toxiques nettoyeurs industriels d'acier inoxydable.

1. Il faut toujours utiliser ces produits détergents lorsque le four est froid. Il faut toujours frotter dans le sens du grain métallique.

L'intérieur en porcelaine se nettoie aisément à l'aide d'un détergent spécial. Il est important d'éviter le contact des produits d'entretien caustiques avec la plaque d'acier aluminé située juste derrière la roue du ventilateur.

1. Retirer du four les grilles, les supports de grilles et la roue de soufflerie.
2. Faire tremper les pièces dans une solution d'ammoniaque et d'eau.
3. Remettre en place après nettoyage.

REMARQUE: Si le four est déplacé, la retenue doit être remise en place quand l'unité est remise à sa position habituelle.

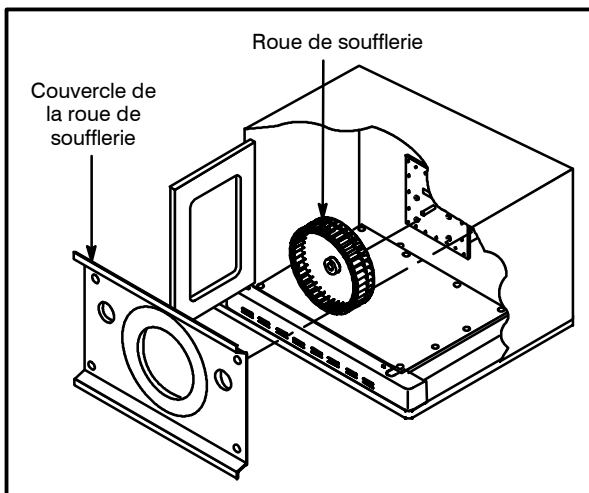


Figure 22

ENTRETIEN PRÉVENTIF

Il doit être assuré par une installation initiale correcte et un programme de nettoyage régulier des fours.

Annual Maintenance

Les fours n'ont pas besoin d'être graissés. Il faut cependant vérifier annuellement le système de ventilation afin d'éviter la détérioration provenant de l'humidité et de la corrosion des produits évacués.

Si des réparations ou de la maintenance est nécessaire, prendre contact avec une entreprise de service Blodgett locale, avec le représentant de l'usine ou avec l'usine.



AVERTISSEMENT!!

Toujours débrancher le four avant toute intervention de nettoyage, d'entretien ou de réparation.

Guide de Détection des Pannes

CAUSE(S) PROBABLE(S)	SUGGESTION
SYMPTOME: Le four ne s'allume pas.	
<ul style="list-style-type: none"> • Le gaz est fermé. • Le four n'est pas branché. • L'interrupteur électrique du panneau de contrôle est sur arrêt. • Contrôle réglé au-dessous de la température ambiante. • Portes ouvertes. • Commandes informatisées – erreur de code à l'affichage. 	<ul style="list-style-type: none"> • Tourner la vanne de gaz sur ON (MARCHE). • Brancher le fil dans la prise. • Régler le panneau de contrôle sur COOK (CUISSON) ou OVEN ON (FOUR MARCHE). • Régler la température désirée. • Fermer les portes. • *
SYMPTOME: Le four n'atteint pas "Prêt".	
<ul style="list-style-type: none"> • Le four n'a pas terminé son cycle de préchauffage. • La vanne de gaz n'est pas complètement ouverte. • La déconnexion rapide n'est pas connectée. • La pression du gaz au four est trop basse. • La fonction de délai de ventilateur est peut être activée, si applicable. • Problème interne avec le contrôle de température principal. 	<ul style="list-style-type: none"> • Attendre que le four est atteint sa température de préchauffage. • Vérifier la vanne de gaz et l'ouvrir si nécessaire. • Reconnecter la connexion rapide. Vérifier toutes les connexions de gaz. • Appeler un technicien de la compagnie du gaz. • Invalider la fonction de délai de ventilateur. • *
<p>*Indique un type d'intervention délicate qui devrait être confiée uniquement à un personnel qualifié. Plutôt que d'intervenir personnellement, en tant qu'utilisateur ou acheteur de l'appareil, il est conseillé de confier TOUT réglage et/ou TOUTE réparation à un agent commercial ou représentant local Blodgett. Blodgett ne saura être tenu responsable d'un dommage résultant d'une réparation ou d'un service d'entretien effectué par un personnel non qualifié.</p>	



AVERTISSEMENT!!

Toujours débrancher le four avant toute intervention de nettoyage, d'entretien ou de réparation.



Entretien

Guide de Détection des Pannes

CAUSE(S) PROBABLE(S)	SUGGESTION
SYMPTOME: Le ventilateur de convection ne tourne pas.	
<ul style="list-style-type: none">• Le four n'est pas branché.• Le four n'est pas réglé en mode de cuisson.• Le disjoncteur est déclenché.• La fonction de délai de ventilateur est peut être activée, si applicable.• Les portes sont ouvertes.	<ul style="list-style-type: none">• Brancher le fil dans la prise.• Régler le panneau de contrôle sur COOK (CUISON) ou OVEN ON (FOUR MARCHE).• Réenclencher le disjoncteur.• Invalider la fonction de délai de ventilateur.• Fermer les portes.
SYMPTOME: Problèmes courants de cuisson au four.	
<ul style="list-style-type: none">• Contrôles informatisés – mauvaise programmation pour le produit.• Calibrage du thermostat hors service.• Mauvaise ventilation du four.	<ul style="list-style-type: none">• Reprogrammer le contrôle suivant la section Utilisation.• *• *
<p>*Indique un type d'intervention délicate qui devrait être confiée uniquement à un personnel qualifié. Plutôt que d'intervenir personnellement, en tant qu'utilisateur ou acheteur de l'appareil, il est conseillé de confier TOUT réglage et/ou TOUTE réparation à un agent commercial ou représentant local Blodgett. Blodgett ne saura être tenu responsable d'un dommage résultant d'une réparation ou d'un service d'entretien effectué par un personnel non qualifié.</p>	



AVERTISSEMENT!!

Toujours débrancher le four avant toute intervention de nettoyage, d'entretien ou de réparation.

**INSERT
WIRING DIAGRAM
HERE**

**PLACER
SCHÉMA DE CÂBLAGE
ICI**

Free Manuals Download Website

<http://myh66.com>

<http://usermanuals.us>

<http://www.somanuals.com>

<http://www.4manuals.cc>

<http://www.manual-lib.com>

<http://www.404manual.com>

<http://www.luxmanual.com>

<http://aubethermostatmanual.com>

Golf course search by state

<http://golfingnear.com>

Email search by domain

<http://emailbydomain.com>

Auto manuals search

<http://auto.somanuals.com>

TV manuals search

<http://tv.somanuals.com>