

Refrigerator
Kühlschrank
מקרר

DND 1976 XT
DND 1977
DND 1977 XT

Bedienungsanleitung
Operating instructions

Blomberg

Download from www.Somanuals.com. All Manuals Search And Download.

Please read this manual first!

Dear Customer,

We hope that your product, which has been produced in modern plants and checked under the most meticulous quality control procedures, will provide you an effective service.

For this, we recommend you to carefully read the entire manual of your product before using it and keep it at hand for future references.




This manual

- Will help you use your appliance in a fast and safe way.
- Read the manual before installing and operating your product.
- Follow the instructions, especially those for safety.
- Keep the manual in an easily accessible place as you may need it later.
- Besides, read also the other documents provided with your product.

Please note that this manual may be valid for other models as well.

Symbols and their descriptions

This instruction manual contains the following symbols:

-  Important information or useful usage tips.
-  Warning against dangerous conditions for life and property.
-  Warning against electric voltage.



This product is supplied with the selective sorting symbol for waste electrical and electronic equipment (WEEE).

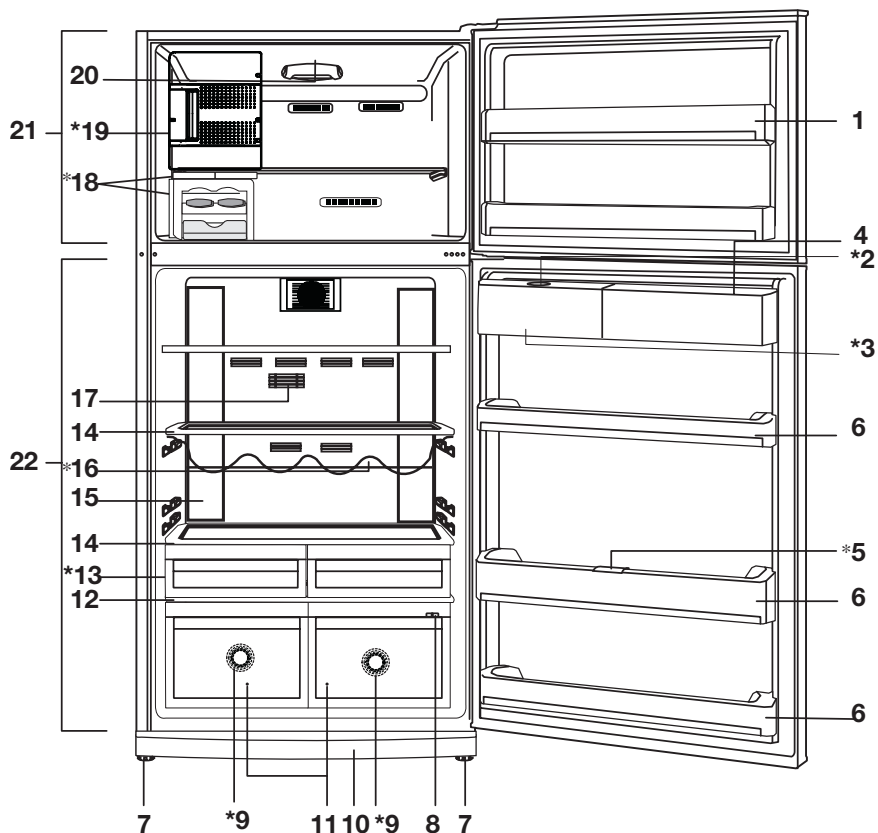
This means that this product must be handled pursuant to European Directive 2002/96/EC in order to be recycled or dismantled to minimise its impact on the environment. For further information, please contact your local or regional authorities.

Electronic products not included in the selective sorting process are potentially dangerous for the environment and human health due to the presence of hazardous substances.

CONTENTS

1 Your Refrigerator	3	4 Preparation	11
2 Important Safety Warnings	4	5 Using your refrigerator	12
Intended use	4	Indicator Panel.....	12
For products with a water dispenser; .	6	Sabbath Mode:	15
Child safety.....	6	Freezing fresh food.....	16
HCA Warning	6	Recommendations for preservation of frozen food	16
Things to be done for energy saving ..	7	Placing the food	17
Reccomendations for freshfood compartment.....	7	Deep-freeze information	17
		Humidity control in the crisper	18
3 Installation	8	Egg tray.....	18
Points to be considered when re-transporting your refrigerator	8	Sliding Body Shelves	18
Before operating your refrigerator	8	Blue light	19
Disposing of the packaging	9	Chiller compartment	19
Disposing of your old refrigerator	9	Description and cleaning of odor filter:	19
Placing and Installation	9	Icematic and ice storage container .	20
Adjusting the feet.....	10	Water dispenser	21
Open door warning.....	10	Water tray	22
Changing the illumination lamp	10		
		6 Maintenance and cleaning	23
		Protection of plastic surfaces	23
		7 Recommended solutions for the problems	24

1 Your Refrigerator



- | | |
|-------------------------------------|--|
| 1- Freezer compartment door shelves | 11- Crispers |
| 2- Water dispenser tank filler cap | 12- Crisper cover |
| 3- Water dispenser tank | 13- Chiller compartment |
| 4- Egg holder | 14- Fridge compartment glass shelves |
| 5- Bottle holder | 15- Fridge compartment interior light |
| 6- Fridge compartment door shelves | 16- Wine rack |
| 7- Adjustable front legs | 17- Odor filter (Carbon) |
| 8- Crisper or chiller compartment | 18- Icematic or Ice cupe tray |
| adjustment slider | 19- Fresh Freeze compartment |
| 9- Blue light | 20- Freezer compartment interior light |
| 10- Ventilation lid | 21- Freezer compartment |
| | 22- Fridge compartment |

* OPTIONAL

ⓘ Figures that take place in this instruction manual are schematic and may not correspond exactly with your product. If the subject parts are not included in the product you have purchased, then it is valid for other models.

2 Important Safety Warnings

Please review the following information. Failure to observe this information may cause injuries or material damage. Otherwise, all warranty and reliability commitments will become invalid.

The usage life of the unit you purchased is 10 years. This is the period for keeping the spare parts required for the unit to operate as described.

Intended use

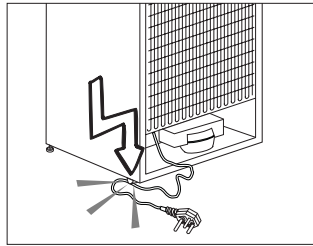
This product is intended to be used

- indoors and in closed areas such as homes;
- in closed working environments such as stores and offices;
- in closed accommodation areas such as farm houses, hotels, pensions.
- This product should not be used outdoors.

General safety

- When you want to dispose/scrapped the product, we recommend you to consult the authorized service in order to learn the required information and authorized bodies.
- Consult your authorized service for all your questions and problems related to the refrigerator. Do not intervene or let someone intervene to the refrigerator without notifying the authorized services.
- For products with a freezer compartment; Do not eat cone ice cream and ice cubes immediately after you take them out of the freezer compartment! (This may cause frostbite in your mouth.)
- For products with a freezer compartment; Do not put bottled and canned liquid beverages in the freezer compartment. Otherwise, these may burst.
- Do not touch frozen food by hand; they may stick to your hand.
- Unplug your refrigerator before cleaning or defrosting.
- Vapor and vaporized cleaning materials should never be used in cleaning and defrosting processes of your refrigerator. In such cases, the vapor may get in contact with the electrical parts and cause short circuit or electric shock.
- Never use the parts on your refrigerator such as the door as a means of support or step.
- Do not use electrical devices inside the refrigerator.
- Do not damage the parts, where the refrigerant is circulating, with drilling or cutting tools. The refrigerant that might blow out when the gas channels of the evaporator, pipe extensions or surface coatings are punctured causes skin irritations and eye injuries.
- Do not cover or block the ventilation holes on your refrigerator with any material.
- Electrical devices must be repaired by only authorized persons. Repairs performed by incompetent persons create a risk for the user.
- In case of any failure or during a maintenance or repair work, disconnect your refrigerator's mains supply by either turning off the relevant fuse or unplugging your appliance.

- Do not pull by the cable when pulling off the plug.
- Place the beverage with higher proofs tightly closed and vertically.
- Never store spray cans containing flammable and explosive substances in the refrigerator.
- Do not use mechanical devices or other means to accelerate the defrosting process, other than those recommended by the manufacturer.
- This product is not intended to be used by persons with physical, sensory or mental disorders or unlearned or inexperienced people (including children) unless they are attended by a person who will be responsible for their safety or who will instruct them accordingly for use of the product
- Do not operate a damaged refrigerator. Consult with the service agent if you have any concerns.
- Electrical safety of your refrigerator shall be guaranteed only if the earth system in your house complies with standards.
- Exposing the product to rain, snow, sun and wind is dangerous with respect to electrical safety.
- Contact authorized service when there is a power cable damage to avoid danger.
- Never plug the refrigerator into the wall outlet during installation. Otherwise, risk of death or serious injury may arise.
- This refrigerator is intended for only storing food items. It must not be used for any other purpose.
- Label of technical specifications is located on the left wall inside the refrigerator.
- Never connect your refrigerator to electricity-saving systems; they may damage the refrigerator.
- If there is a blue light on the refrigerator, do not look at the blue light with optical tools.
- For manually controlled refrigerators, wait for at least 5 minutes to start the refrigerator after power failure.
- This operation manual should be handed in to the new owner of the product when it is given to others.
- Avoid causing damage on power cable when transporting the refrigerator. Bending cable may cause fire. Never place heavy objects on power cable. Do not touch the plug with wet hands when plugging the product.



- Do not plug the refrigerator if the wall outlet is loose.
- Water should not be sprayed directly on inner or outer parts of the product for safety purposes.
- Do not spray substances containing inflammable gases such as propane gas near the refrigerator to avoid fire and explosion risk.
- Never place containers filled with water on top of the refrigerator, otherwise this may cause electric shock or fire.

- Do not overload your refrigerator with excessive amounts of food. If overloaded, the food items may fall down and hurt you and damage refrigerator when you open the door. Never place objects on top of the refrigerator; otherwise, these objects may fall down when you open or close the refrigerator's door.
- As they require a precise temperature, vaccines, heat-sensitive medicine and scientific materials and etc. should not be kept in the refrigerator.
- If not to be used for a long time, refrigerator should be unplugged. A possible problem in power cable may cause fire.
- The plug's tip should be regularly cleaned; otherwise, it may cause fire.
- The plug's tip should be cleaned regularly with a dry cloth; otherwise, it may cause fire.
- Refrigerator may move if adjustable legs are not properly secured on the floor. Properly securing adjustable legs on the floor can prevent the refrigerator to move.
- When carrying the refrigerator, do not hold it from door handle. Otherwise, it may be snapped.
- When you have to place your product next to another refrigerator or freezer, the distance between devices should be at least 8cm. Otherwise, adjacent side walls may be humidified.

For products with a water dispenser;

Pressure of water mains should be minimum 1 bar. Pressure of water mains should be maximum 8 bars.

- Use only potable water.

Child safety

- If the door has a lock, the key should be kept away from reach of children.
- Children must be supervised to prevent them from tampering with the product.

HCA Warning

If your product's cooling system contains R600a:

This gas is flammable. Therefore, pay attention to not damaging the cooling system and piping during usage and transportation. In the event of damage, keep your product away from potential fire sources that can cause the product catch a fire and ventilate the room in which the unit is placed.

Ignore this warning if your product's cooling system contains R134a.

Type of gas used in the product is stated in the type plate which is on the left wall inside the refrigerator.

Never throw the product in fire for disposal.

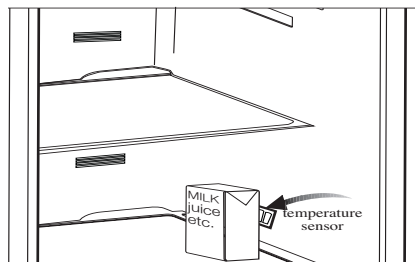
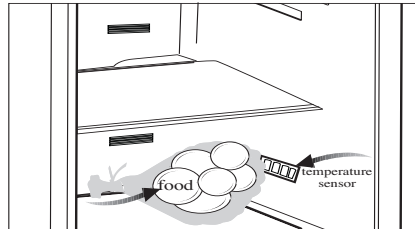
Things to be done for energy saving

- Do not leave the doors of your refrigerator open for a long time.
- Do not put hot food or drinks in your refrigerator.
- Do not overload your refrigerator so that the air circulation inside of it is not prevented.
- Do not install your refrigerator under direct sunlight or near heat emitting appliances such as ovens, dishwashers or radiators.
- Pay attention to keep your food in closed containers.
- For products with a freezer compartment; You can store maximum amount of food items in the freezer when you remove the shelf or drawer of the freezer. Energy consumption value stated for your refrigerator has been determined by removing freezer shelf or drawer and under maximum load. There is no harm to use a shelf or drawer according to the shapes and size of food to be frozen.
- Thawing frozen food in fridge compartment will both provide energy saving and preserve the food quality.

Reccomendations for freshfood compartment

* OPTIONAL

- Please do not let any foodstuff to come to contact with the temperature sensor in freshfood compartment. In order to maintain freshfood compartment at ideal storage temperature, the sensor must not be blocked by fodstuffs.
- Do not place hot foodstuff in your appliance.



3 Installation

⚠ Please remember that the manufacturer shall not be held liable if the information given in the instruction manual is not observed.

Points to be considered when re-transporting your refrigerator

1. Your refrigerator must be emptied and cleaned prior to any transportation.
2. Shelves, accessories, crisper and etc. in your refrigerator must be fastened securely by adhesive tape against any jolt before repackaging.
3. Packaging must be tied with thick tapes and strong ropes and the rules of transportation printed on the package must be followed.

Please do not forget...

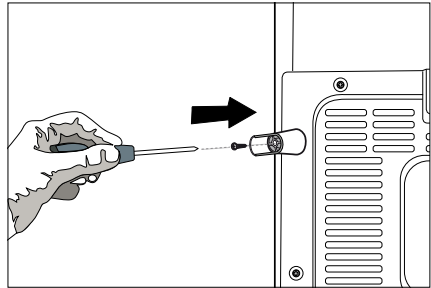
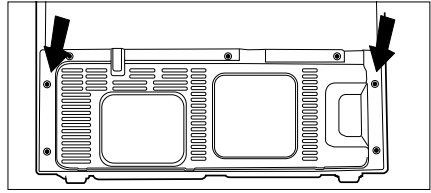
Every recycled material is an indispensable source for the nature and for our national resources.

If you wish to contribute to recycling the packaging materials, you can get further information from the environmental bodies or local authorities.

Before operating your refrigerator

Before starting to use your refrigerator check the following:

1. Is the interior of the refrigerator dry and can the air circulate freely in the rear of it?
2. You can install the 2 plastic wedges as illustrated in the figure. Plastic wedges will provide the required distance between your refrigerator and the wall in order to allow the air circulation. (The illustrated figure is only an example and does not match exactly with your product.)



3. Clean the interior of the refrigerator as recommended in the "Maintenance and cleaning" section.
4. Plug the refrigerator into the wall outlet. When the fridge door is open the fridge compartment interior light will come on.
5. You will hear a noise as the compressor starts up. The liquid and gases sealed within the refrigeration system may also give rise to noise, even if the compressor is not running and this is quite normal.
6. Front edges of the refrigerator may feel warm. This is normal. These areas are designed to be warm to avoid condensation.

Electric connection

Connect your product to a grounded socket which is being protected by a fuse with the appropriate capacity.

Important:

- The connection must be in compliance with national regulations.
- The power cable plug must be easily accessible after installation.
- The specified voltage must be equal to your mains voltage.
- Extension cables and multiway plugs must not be used for connection.

⚠ A damaged power cable must be replaced by a qualified electrician.

⚠ Product must not be operated before it is repaired! There is danger of electric shock!

Disposing of the packaging

The packing materials may be dangerous for children. Keep the packing materials out of the reach of children or dispose them of by classifying them in accordance with the waste instructions. Do not dispose them of along with the normal household waste.

The packing of your refrigerator is produced from recyclable materials.

Disposing of your old refrigerator

Dispose of your old machine without giving any harm to the environment.

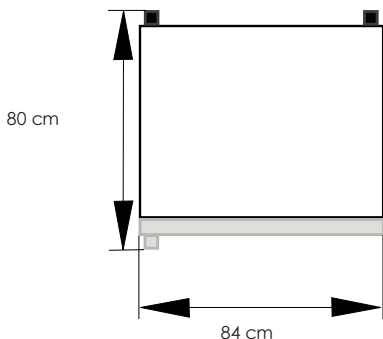
- You may consult your authorized dealer or waste collection center of your municipality about the disposal of your refrigerator.

Before disposing of your refrigerator, cut out the electric plug and, if there are any locks on the door, make them inoperable in order to protect children against any danger.

Placing and Installation

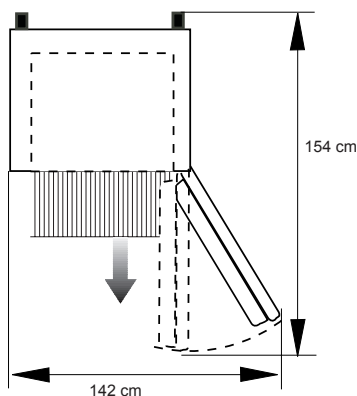
1. Install your refrigerator to a place that allows ease of use.
2. Keep your refrigerator away from heat sources, humid places and direct sunlight.
3. There must be appropriate air ventilation around your refrigerator in order to achieve an efficient operation. If the refrigerator is to be placed in a recess in the wall, there must be at least 5 cm distance with the ceiling and at least 5 cm with the wall. If the floor is covered with a carpet, your product must be elevated 2.5 cm from the floor.
4. Place your refrigerator on an even floor surface to prevent jolts.
5. Do not keep your refrigerator in ambient temperatures under 10°C.

Dimensions of your refrigerator



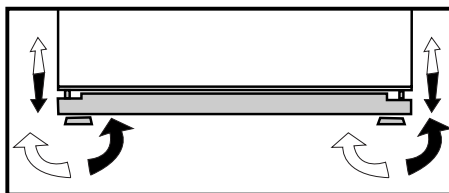
Usage area measures

Following figure shows the required place to allow you use your refrigerator most efficiently.
143.5 cm
134 cm



Adjusting the feet

If your refrigerator is unbalanced; You can balance your refrigerator by turning the front legs as shown in the illustration below. The corner where the leg exists is lowered when you turn it in the direction of black arrow and raised when you turn in the opposite direction. Taking help from someone to slightly lift the refrigerator will facilitate this process.



Open door warning

An audio warning will be given when the fridge or freezer compartment door of your product is left open for a certain period of time. This audio warning signal will mute when any button on the indicator is pressed or when the door is closed.

Changing the illumination lamp

To change the lamp used for illumination of your refrigerator, please call your Authorized Service.

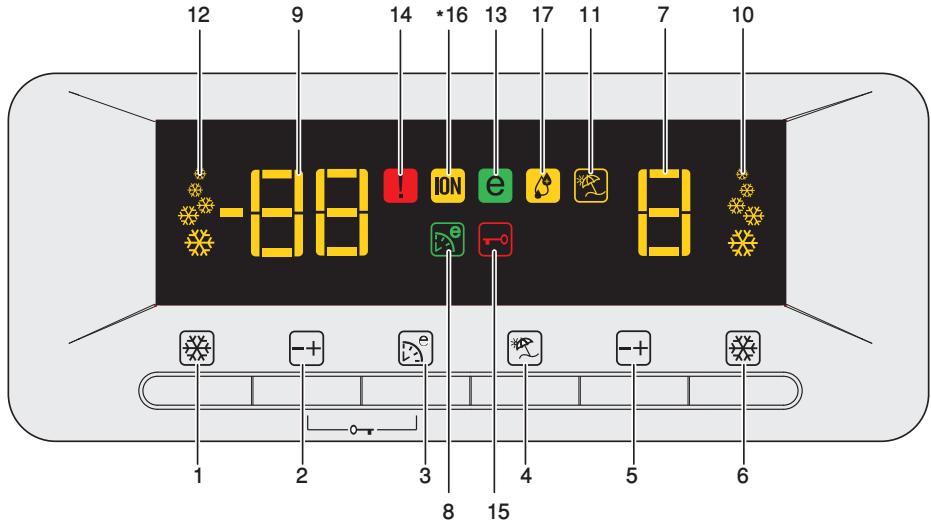
4 Preparation

- i** Your refrigerator should be installed at least 30 cm away from heat sources such as hobs, ovens, central heater and stoves and at least 5 cm away from electrical ovens and should not be located under direct sunlight.
- i** The ambient temperature of the room where you install your refrigerator should at least be 10°C. Operating your refrigerator under cooler conditions than this is not recommended with regard to its efficiency.
- i** Please make sure that the interior of your refrigerator is cleaned thoroughly.
- i** If two refrigerators are to be installed side by side, there should be at least 2 cm distance between them.
- i** When you operate your refrigerator for the first time, please observe the following instructions during the initial six hours.
 - The door should not be opened frequently.
 - It must be operated empty without any food in it.
 - Do not unplug your refrigerator. If a power failure occurs out of your control, please see the warnings in the “Recommended solutions for the problems” section.
- i** Original packaging and foam materials should be kept for future transportations or moving.

5 Using your refrigerator

Indicator Panel

This touch-control indicator panel allows you to set the temperature without opening the door of your refrigerator. Just touch the relevant button with your finger to set the temperature.



1. Fast Freeze Button
 2. Freezer Compartment Temperature Setting Button
 3. Eko-Ekstra Button
 4. Vacation Button
 5. Fridge Compartment Temperature Setting Button
 6. Quick Cool Button
 7. Fridge Compartment Temperature Indicator
 8. Eco Extra Function Indicator
 9. Freezer Compartment Temperature Indicator
 10. Quick Cool Function Indicator
 11. Vacation Function Indicator
 12. Quick Freeze Function Indicator
 13. Economy Mode Indicator
 14. Error Status Indicator
 15. Key Lock Indicator
 16. Ionizer Indicator Light
 17. Humidity Indicator
- * **OPTIONAL**

ⓘ Figures that take place in this instruction manual are schematic and may not correspond exactly with your product. If the subject parts are not included in the product you have purchased, then it is valid for other models.

1- Fast Freeze Button

Press this button briefly to activate the Fast Freeze function. Press this button again to deactivate the selected function.

2- Freezer Compartment Temperature Setting Button

Press this button to set the temperature of the freezer compartment to -18, -20, -22, -24, -18... respectively. Press this button to set the desired temperature for the Freezer Compartment.

3- Eko-Ekstra Button

Press this button briefly to activate the Eco Extra function.

4- Vacation Button

Press this button briefly to activate the Vacation function. To stop ice formation, press the same button for 3 seconds.

5- Fridge Compartment Temperature Setting Button

Press this button to set the temperature of the fridge compartment to 8, 6, 4, 2, 8... respectively. Press this button to set the desired temperature for the Fridge Compartment.

6. Quick CoolButton

Press this button briefly to activate the Quick Cool function. Press this button again to deactivate the selected function.

7- Fridge Compartment Temperature Indicator

Indicates the temperature set for Fridge Compartment.

8- Eco Extra Function Indicator

Indicates that the Eco Extra function is active. If this function is active, your refrigerator will automatically detect the least usage periods and energy-efficient cooling will be performed during those times. Economy indicator will be active while energy-efficient cooling is performed.

9- Freezer Compartment Temperature Indicator

It indicates the temperature set for Freezer Compartment.

10- Quick Cool Function Indicator

Indicates that the Quick Cool function is active. Use this function when you place fresh food into the fridge compartment or when you need to cool your food quickly. When this function is active, your refrigerator will run for 2 hours without stopping. Press the relevant button again to deactivate this function.

11- Vacation Function Indicator

Indicates that the vacation function is active. If this function is active, “- -” appears on the indicator of the fridge compartment and no cooling is performed in the fridge compartment. Other compartments will be cooled in accordance with the temperature set for them.

Press the relevant button again to deactivate this function.

12- Quick Freeze Function Indicator

Indicates that the Quick Freezer function is active. Use this function when you place fresh food into the freezer compartment or when you need ice. When this function is active, your refrigerator will run for 6 hours without stopping.

Press the relevant button again to deactivate this function.

13- Economy Mode Indicator

Indicates that the refrigerator is running in energy-efficient mode. This indicator will be active if the Freezer Compartment temperature is set to -18 or the energy efficient cooling is being performed due to Eco-Extra function.

14- Error Status Indicator

If your refrigerator does not cool adequately or if there is a sensor failure, this indicator will be activated. When this indicator is active, Freezer Compartment Temperature indicator will display "E" and Fridge Compartment Temperature Indicator will display numbers such as "1,2,3...". These numbers on the indicator provides information about the error to the service personnel.

15- Key Lock Indicator

Use this function if you do not want your refrigerator temperature setting changed. Press Eco Extra Button and Freezer Compartment Temperature Setting Button simultaneously for a long time (3 sec) to activate this feature.

Press the relevant buttons again to deactivate this function.

16- Ionizer Indicator Light

Indicator light lights up continuously. This light indicates that your refrigerator is protected against the bacteria.

17- Humidity Indicator

Indicator light lights up continuously. This light indicates that the food kept in the refrigerator is preserved for a long time under ideal humidity.

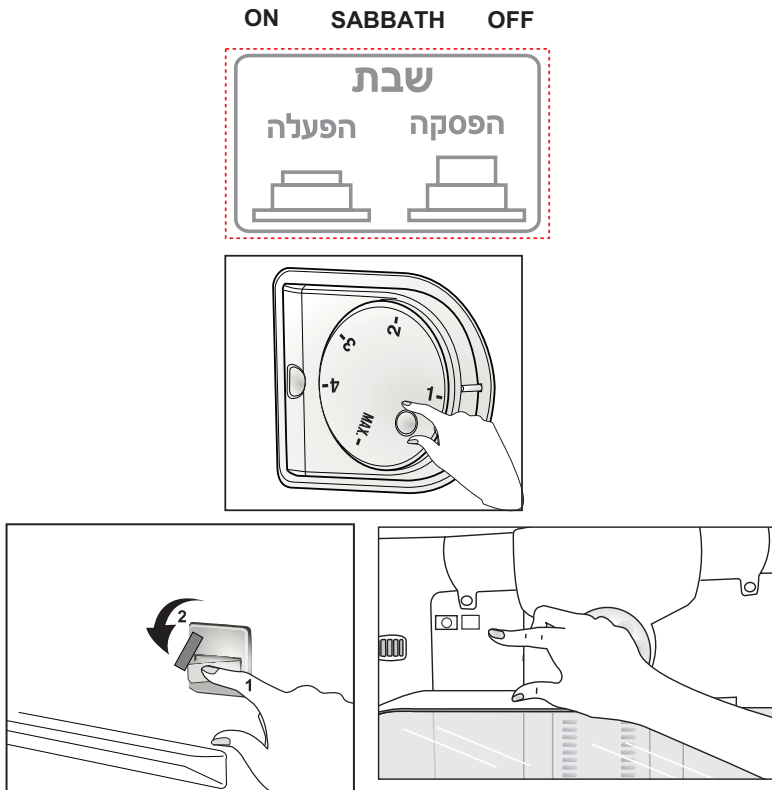
Sabbath Mode:

This mode is designed for a short-term period of usage and is aimed a constant cooling while preserving the foods and vegetables. Therefore, it is strongly recommended not to activate this mode when the appliance is frequently in use or when the appliance is freshly loaded. To activate Sabbath mode, press Sabbath button. It will be automatically activated. The fridge door button should be locked by using the mechanical switch if desired. To de-activate Sabbath mode, press Sabbath button, it will be released. It will be automatically de-activated. The fridge door button can be un-locked by using the mechanical switch.

Notes:

When the appliance is switched to Sabbath mode in low ambient temperatures, damper thermostat should be set to minimum position. (It should be set to 1 at 10°C) When the appliance is switched to Sabbath mode in high ambient temperatures, (above 35°C) damper thermostat should be set to maximum position. Leaving the appliance in Sabbath mode longer then the required may cause your food get spoiled in high ambient temperatures.

* OPTIONAL



Freezer Compartment Adjustment	Fridge Compartment Adjustment	Explanations
-18°C	4°C	This is the normal recommended setting.
-20,-22 or -24°C	4°C	These settings are recommended when the ambient temperature exceeds 30°C.
Quick Freeze	4°C	Use when you wish to freeze your food in a short time. Your refrigerator will return to its previous mode when the process is over.
-18°C or colder	2°C	If you think that your fridge compartment is not cold enough because of the hot conditions or frequent opening and closing of the door.
-18°C or colder	Quick Fridge	You can use it when your fridge compartment is overloaded or if you wish to cool down your food rapidly. It is recommended that you activate quick fridge function 4-8 hours before placing the food.

Freezing fresh food

- It must be preferred to wrap or cover the food before placing them in the refrigerator.
- Hot food must cool down to the room temperature before putting them in the refrigerator.
- The foodstuff that you want to freeze must be fresh and in good quality.
- Foodstuff must be divided into portions according to the family's daily or meal based consumption needs.
- The foodstuff must be packaged in an airtight manner to prevent them from drying even if they are going to be kept for a short time.
- Materials to be used for packaging must be tear-proof and resistant to cold, humidity, odor, oils and acids and they must also be airtight. Moreover, they must be well closed and they must be made from easy-

- to-use materials that are suitable for deep freeze usage.
- Frozen food must be used immediately after they are thawed and they should never be re-frozen.
- Please observe the following instructions to obtain the best results.
 1. Do not freeze too large quantities of food at one time. The quality of the food is best preserved when it is frozen right through to the core as quickly as possible.
 2. Placing warm food into the freezer compartment causes the cooling system to operate continuously until the food is frozen solid.
 3. Take special care not to mix already frozen food and fresh food.

Recommendations for preservation of frozen food

- Prepacked commercially frozen food should be stored in accordance with the frozen food manufacturer's

instructions for a ******** (4 star) frozen food storage compartment.

- To ensure that the high quality achieved by the frozen food manufacturer and the food retailer is maintained, the following should be remembered:
 1. Put packages in the freezer as quickly as possible after purchase.
 2. Ensure that contents are labeled and dated.
 3. Do not exceed "Use By", "Best Before" dates on the packaging.

Defrosting

The freezer compartment defrosts automatically.

Placing the food

Freezer compartment shelves	Various frozen food such as meat, fish, ice cream, vegetables and etc.
Egg tray	Egg
Fridge compartment shelves	Food in pans, covered plates and closed containers
Fridge compartment door shelves	Small and packaged food or drinks (such as milk, fruit juice and beer)
Crisper	Vegetables and fruits
Freshzone compartment	Delicatessen products (cheese, butter, salami and etc.)

Deep-freeze information

Food must be frozen as rapidly as possible when they are put in a refrigerator in order to keep them in good quality.

The TSE norm requires (according to certain measurement conditions) the refrigerator to freeze at least 4.5 kg of foodstuff at 32°C ambient temperature to -18°C or lower within 24 hours for every 100-liters of freezer volume.

It is possible to keep the food for a long time only at -18°C or lower temperatures.

You can keep the freshness of food for many months (at -18°C or lower temperatures in the deep freeze).

WARNING! ⚠

- Foodstuff must be divided into portions according to the family's daily or meal based consumption needs.
- Foodstuff must be packaged in an airtight manner to prevent them from drying even if they are going to be kept for a short time.

Materials necessary for packaging:

- Cold resistant adhesive tape
- Self adhesive label
- Rubber rings
- Pen

Materials to be used for packaging the foodstuff must be tear-proof and resistant to cold, humidity, odor, oils and acids.

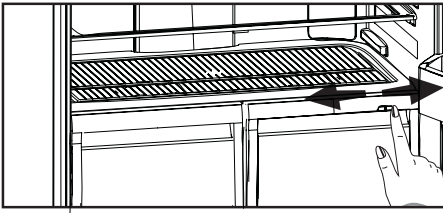
Foodstuff to be frozen should not be allowed to come in contact with the previously frozen items to prevent their partial thawing.

Frozen food must be used immediately after they are thawed and they should never be re-frozen.

Humidity control in the crisper

Humidity level can be adjusted by sliding the humidity adjustment slider to the right or left.

- If you want to maintain humidity in this compartment, set the humidity adjustment slider to the closed position. (Right)
- If you want to eliminate humidity in this compartment, set the humidity adjustment slider to the open position. (Left)



Egg tray

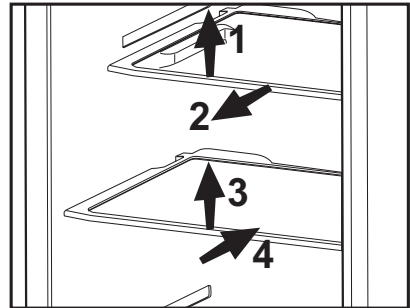
- You can install the egg holder to the desired door or body shelf.
- Never store the egg holder in the freezer compartment.

Sliding Body Shelves

Sliding body shelves can be pulled by slightly lifting up from the front and moved back and forth. They come to a stop point when pulled towards front to allow you reach the foods placed at the back of the shelf; when it is pulled after slightly lifted upwards at the second stop point, the body shelf will be released.

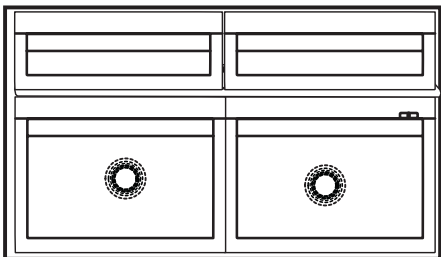
The shelf should be hold tightly from the bottom as well in order to prevent it from tipping over. The body shelf is placed on the rails at the sides of the refrigerator body by bringing it to one lower or one upper level.

The body shelf should be pushed backwards to seat it completely.



Blue light (OPTIONAL)

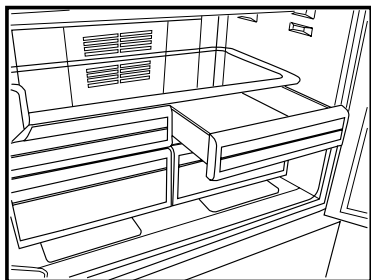
Foodstuff stored in the crispers that are enlightened with a blue light continue their photosynthesis by means of the wavelength effect of blue light and thus, preserve their freshness and increase their vitamin content.



Chiller compartment (OPTIONAL)

Chiller compartments enable the foods to be frozen become ready for freezing. You can also use these compartments to store your food at a temperature a few degrees below the fridge compartment.

You can increase the inner volume of your refrigerator by removing any of the chiller compartments. To do this, pull the compartment towards yourself; the compartment will lean against the stopper and stop. This compartment will be released when you lift it about 1 cm and pull it towards yourself.

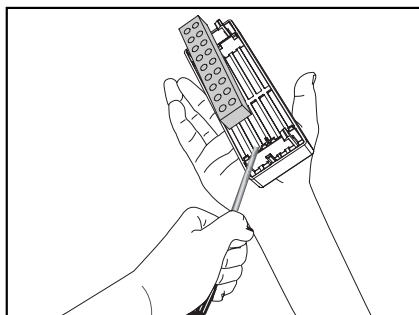
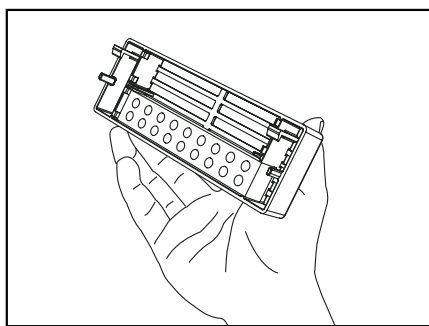
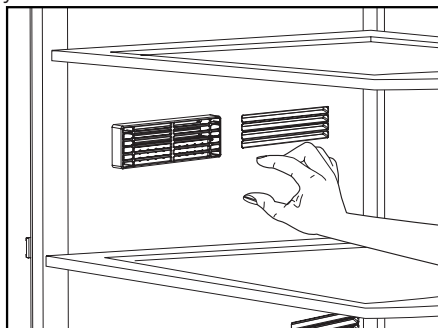


Description and cleaning of odor filter:

Odor filter prevents unpleasant odor build-up in your refrigerator.

Pull the cover, into which the odor filter is installed, downwards and remove as illustrated. Leave the filter under sunlight for one day. Filter will be cleaned during this time. Install the filter back to its place.

Odor filter must be cleaned once in a year.



Icematic and ice storage container (OPTIONAL)

Using the Icematic

Fill the Icematic with water and place it into its seat. Your ice will be ready approximately in two hours. Do not remove the Icematic from its seating to take ice.

Turn the knobs on it clockwise by 90 degrees.

Ice cubes in the cells will fall down into the ice storage container below.

You may take out the ice storage container and serve the ice cubes.

If you wish, you may keep the ice cubes in the ice storage container.

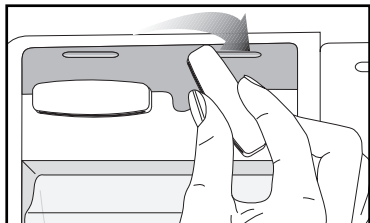
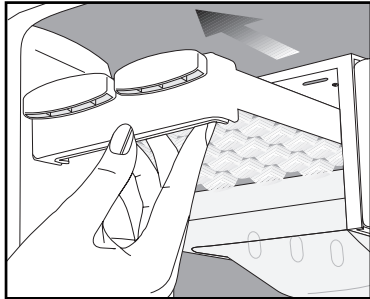
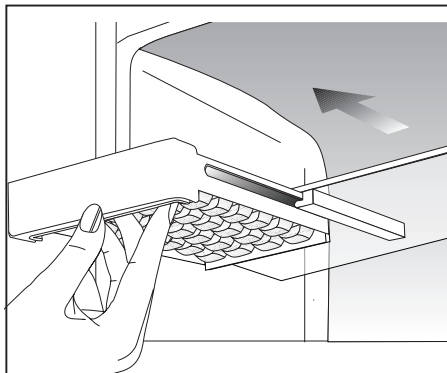
Ice storage container

Ice storage container is only intended for accumulating the ice cubes. Do not put water in it. Otherwise, it will break.

Making ice (OPTIONAL)

Fill the ice container with water and place it into its seat. Your ice will be ready approximately in two hours.

You can easily remove your ice by slightly twisting the ice container.

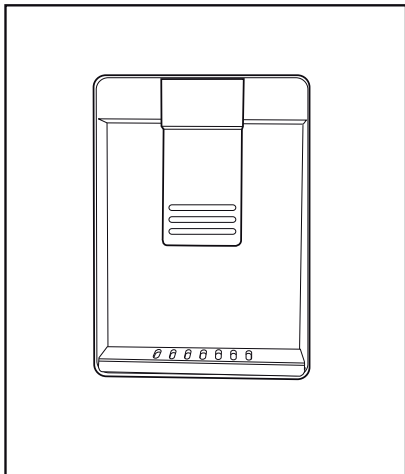


Water dispenser (OPTIONAL)

Water dispenser is a very useful feature to obtain chilled water without opening the door of your fridge. Since you do not have to open the door of your fridge frequently, you also save on electricity.

Using the water dispenser

Push in the lever of the water dispenser with your glass. By releasing the lever, you cut off the dispensing. When operating the water dispenser, maximum flow is achieved by fully depressing the lever. Please note, how much water flows from the dispenser depends on how far you depress the lever. As the level of water in your cup / glass rises, gently reduce the amount of pressure on the lever to avoid overflow. If you depress the lever a small amount, then water will trickle; this is perfectly normal and is not a fault.

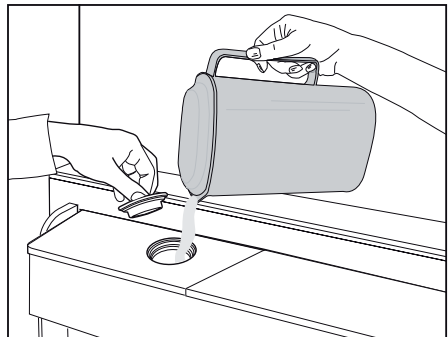


Filling in the water tank of water dispenser

Open the cap of the water tank as illustrated in the figure. Fill in with pure and clean drinking water. Close the cap.

Caution!

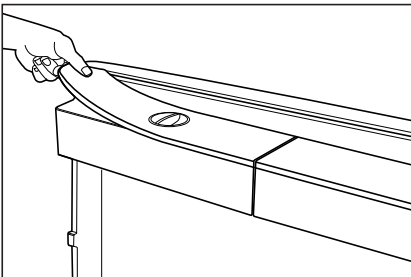
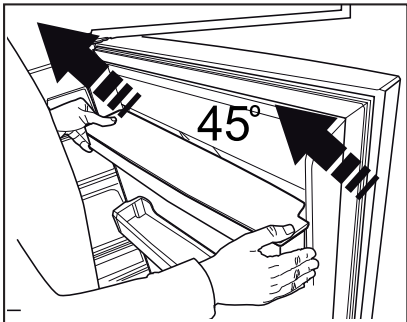
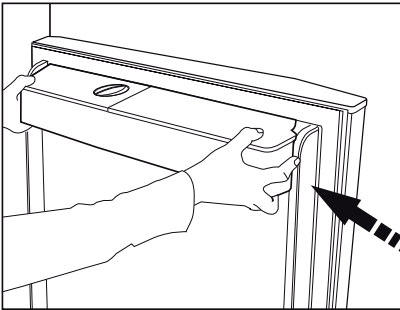
- Do not fill water tank with any liquid other than drinking water; beverages such as fruit juice, carbonated fizzy soda drinks, alcoholic drinks are not suitable for use with water dispenser. If such liquids are used, the water dispenser will malfunction and may be damaged beyond repair. The guarantee does not cover such uses. Some chemical ingredients and additives in such drinks / beverages may also attack and damage water tank material.
- Only use clean pure drinking water.
- Capacity of water dispenser tank is 3 litres [6.4 pints], do not overfill.
- Push the water dispenser lever with a rigid cup. If you are using a plastic disposable cup, then push the lever with your fingers from behind the cup.



Cleaning the water tank

Remove the water tank, and detach the top cover mechanism from the water tank. Clean the water tank with warm clean water, reinstall the top cover.

When installing the water tank, make sure that hooks it fits securely into the hangers on the door. Make sure that parts removed during cleaning (if any) are installed correctly into their original locations. Otherwise, water may leak.



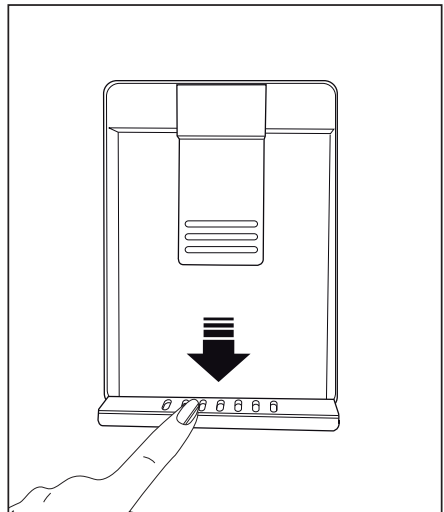
Important:

Water tank and components of water dispenser are not dishwasher-proof.

Water tray (OPTIONAL)

Water that drips while using the water dispenser accumulates in the drip tray. Remove the drip tray by pulling it towards yourself and empty it from time to time.

Remove the plastic drainer part as shown in the diagram by pressing down on the edge.



6 Maintenance and cleaning

- ⚠ Never use gasoline, benzene or similar substances for cleaning purposes.
- ⚠ We recommend that you unplug the appliance before cleaning.
- ⚠ Never use any sharp abrasive instrument, soap, household cleaner, detergent and wax polish for cleaning.
- ℹ Use lukewarm water to clean the cabinet of your refrigerator and wipe it dry.
- ℹ Use a damp cloth wrung out in a solution of one teaspoon of bicarbonate of soda to one pint of water to clean the interior and wipe it dry.
- ⚠ Make sure that no water enters the lamp housing and other electrical items.
- ⚠ If your refrigerator is not going to be used for a long period of time, unplug the power cable, remove all food, clean it and leave the door ajar.
- ℹ Check door seals regularly to ensure they are clean and free from food particles.
- ⚠ To remove door racks, remove all the contents and then simply push the door rack upwards from the base.

Protection of plastic surfaces

- ℹ Do not put the liquid oils or oil-cooked meals in your refrigerator in unsealed containers as they damage the plastic surfaces of your refrigerator. In case of spilling or smearing oil on the plastic surfaces, clean and rinse the relevant part of the surface at once with warm water.

7 Recommended solutions for the problems

Please review this list before calling the service. It might save you time and money. This list includes frequent complaints that are not arising from defective workmanship or material usage. Some of the features described here may not exist in your product.

The refrigerator does not operate.

- Is the refrigerator properly plugged in? Insert the plug to the wall socket.
- Is the fuse of the socket which your refrigerator is connected to or the main fuse blown out? Check the fuse.

Condensation on the side wall of the fridge compartment (MULTIZONE, COOL CONTROL and FLEXI ZONE).

- Very cold ambient conditions. Frequent opening and closing of the door. Highly humid ambient conditions. Storage of food containing liquid in open containers. Leaving the door ajar. Switching the thermostat to a colder degree.
- Decreasing the time the door left open or using it less frequently.
- Covering the food stored in open containers with a suitable material.
- Wipe the condensation using a dry cloth and check if it persists.

Compressor is not running

- Protective thermic of the compressor will blow out during sudden power failures or plug-out plug-ins as the refrigerant pressure in the cooling system of the refrigerator has not been balanced yet. Your refrigerator will start running approximately after 6 minutes. Please call the service if the refrigerator does not startup at the end of this period.
- The fridge is in defrost cycle. This is normal for a full-automatically defrosting refrigerator. Defrosting cycle occurs periodically.
- Your refrigerator is not plugged into the socket. Make sure that the plug is properly fit into the socket.
- Are the temperature adjustments correctly made?
- Power might be cut off.

The fridge is running frequently or for a long time.

- Your new product may be wider than the previous one. This is quite normal. Large refrigerators operate for a longer period of time.
- The ambient room temperature may be high. This is quite normal.
- The refrigerator might have been plugged in recently or might have been loaded with food. Cooling down of the refrigerator completely may last for a couple of hours longer.
- Large amounts of hot food might have been put in the refrigerator recently. Hot food causes longer running of the refrigerator until they reach the safe storage temperature.
- Doors might have been opened frequently or left ajar for a long time. The warm air that has entered into the refrigerator causes the refrigerator to run for longer periods. Open the doors less frequently.
- Freezer or fridge compartment door might have been left ajar. Check if the doors are tightly closed.
- The refrigerator is adjusted to a very low temperature. Adjust the refrigerator temperature to a warmer degree and wait until the temperature is achieved.
- Door seal of the fridge or freezer may be soiled, worn out, broken or not properly seated. Clean or replace the seal. Damaged/broken seal causes the refrigerator to run for a longer period of time in order to maintain the current temperature.

Freezer temperature is very low while the fridge temperature is sufficient.

- The freezer temperature is adjusted to a very low temperature. Adjust the freezer temperature to a warmer degree and check.

Fridge temperature is very low while the freezer temperature is sufficient.

- The fridge temperature might have been adjusted to a very low temperature. Adjust the fridge temperature to a warmer degree and check.

Food kept in the fridge compartment drawers are freezing.

- The fridge temperature might have been adjusted to a very low temperature. Adjust the fridge temperature to a warmer degree and check.

Temperature in the fridge or freezer is very high.

- The fridge temperature might have been adjusted to a very high degree. Fridge adjustment has an effect on the temperature of the freezer. Change the temperature of the fridge or freezer until the fridge or freezer temperature reaches to a sufficient level.
- Doors might have been opened frequently or left ajar for a long time; open them less frequently.
- Door might have been left ajar; close the door completely.
- Large amount of hot food might have been put in the refrigerator recently. Wait until the fridge or freezer reaches the desired temperature.
- The refrigerator might have been plugged in recently. Cooling down of the refrigerator completely takes time.

The operation noise increases when the refrigerator is running.
<ul style="list-style-type: none"> The operating performance of the refrigerator may change due to the changes in the ambient temperature. It is normal and not a fault.
Vibrations or noise.
<ul style="list-style-type: none"> The floor is not even or it is weak. The refrigerator rocks when moved slowly. Make sure that the floor is strong enough to carry the refrigerator, and level. The noise may be caused by the items put onto the refrigerator. Items on top of the refrigerator should be removed.
There are noises coming from the refrigerator like liquid spilling or spraying.
<ul style="list-style-type: none"> Liquid and gas flows happen in accordance with the operating principles of your refrigerator. It is normal and not a fault.
There is a noise like wind blowing.
<ul style="list-style-type: none"> Fans are used in order to cool the refrigerator. It is normal and not a fault.
Condensation on the inner walls of refrigerator.
<ul style="list-style-type: none"> Hot and humid weather increases icing and condensation. It is normal and not a fault. Doors might have been left ajar; make sure that the doors are closed fully. Doors might have been opened frequently or left ajar for a long time; open them less frequently.
Humidity occurs on the outside of the refrigerator or between the doors.
<ul style="list-style-type: none"> There might be humidity in the air; this is quite normal in humid weather. When the humidity is less, condensation will disappear.
Bad odour inside the refrigerator.
<ul style="list-style-type: none"> Inside of the refrigerator must be cleaned. Clean the inside of the refrigerator with a sponge, lukewarm water or carbonated water. Some containers or package materials might cause the smell. Use a different container or different brand packaging material.
The door is not closing.
<ul style="list-style-type: none"> Food packages may prevent the door's closing. Replace the packages that are obstructing the door. The refrigerator is not completely upright on the floor and rocking when slightly moved. Adjust the elevation screws. The floor is not level or strong. Make sure that the floor is level and capable to carry the refrigerator.
Crispers are stuck.
<ul style="list-style-type: none"> The food might be touching the ceiling of the drawer. Rearrange food in the drawer.

Bitte lesen Sie zuerst diese Anleitung!

Lieber Kunde,

Wir sind sicher, dass Ihnen dieses Produkt, das in modernsten Fertigungsstätten hergestellt und den strengsten Qualitätsprüfungen unterzogen wurde, lange Zeit gute Dienste leisten wird.

Wir empfehlen Ihnen, vor Inbetriebnahme des Gerätes das gesamte Handbuch durchzulesen und es anschließend aufzubewahren.




Diese Anleitung...

- hilft Ihnen, Ihr Gerät schnell und sicher zu bedienen.
- Lesen Sie die Anleitung, bevor Sie Ihr Gerät aufstellen und bedienen.
- Halten Sie sich an die Anweisungen, beachten Sie insbesondere die Sicherheitshinweise.
- Bewahren Sie die Anleitung an einem leicht zugänglichen Ort auf, damit Sie jederzeit darin nachschlagen können.
- Lesen Sie auch die weiteren Dokumente, die mit Ihrem Produkt geliefert wurden.

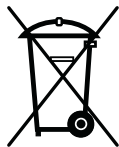
Bitte beachten Sie, dass diese Anleitung eventuell auch für andere Geräte eingesetzt werden kann.

Symbole und ihre Bedeutung

In dieser Anleitung finden Sie die folgenden Symbole:

-  Wichtige Informationen oder nützliche Tipps.
-  Warnung vor Verletzungen oder Beschädigungen.
-  Warnung vor elektrischem Strom.

Recycling



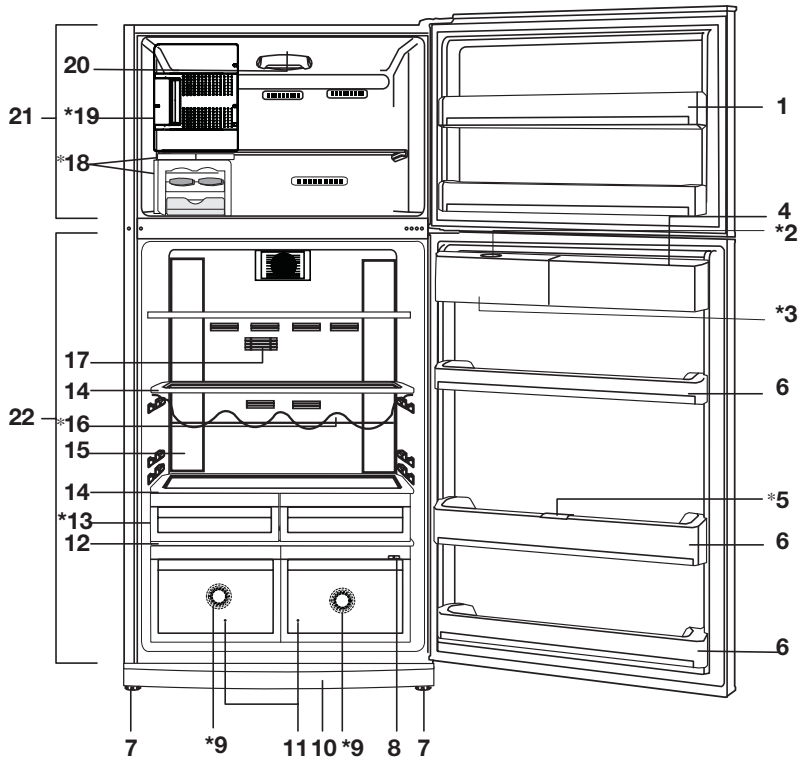
Dieses Produkt ist mit dem selektiven Entsorgungssymbol für elektrische und elektronische Altgeräte (WEEE) gekennzeichnet.

Das bedeutet, dass dieses Produkt gemäß der europäischen Richtlinie 2002/96/EC gehandhabt werden muss, um mit nur minimalen umweltspezifischen Auswirkungen recycelt oder zerlegt werden zu können. Weitere Informationen erhalten Sie von Ihren regionalen Behörden.

Elektronikprodukte, die nicht durch den selektiven Entsorgungsvorgang erfasst werden, stellen durch das Vorhandensein potenziell gefährlicher Substanzen umwelt- und gesundheitsrelevante Risiken dar.

1 Ihr Kühlschrank	3	4 Vorbereitung	11
2 Wichtige Sicherheitshinweise	4	5 Kühlschrank verwenden	12
Bestimmungsgemäßer Gebrauch	4	Anzeigefeld.....	12
Allgemeine Hinweise zu Ihrer Sicherheit	4	Sabbat-Modus:	15
Kinder – Sicherheit	6	Tür-offen-Warnung.....	16
HCA-Warnung.....	6	Doppeltes Kühlsystem:.....	16
Tipps zum Energiesparen	7	Frische Lebensmittel tiefkühlen	17
Empfehlungen zum Kühlbereich.....	7	Empfehlungen zur Konservierung von gefrorenen Lebensmitteln	17
		Lebensmittel einlagern.....	17
		Hinweise zum Tiefkühlen	18
3 Installation	8	Feuchtigkeitskontrolle im Gemüsefach.....	19
Was Sie bei einem weiteren Transport Ihres Kühlschranks beachten müssen	8	Eierbehälter	19
Bevor Sie Ihren Kühlschrank einschalten	8	Verschiebbare Ablagen	19
Verpackungsmaterialien entsorgen	9	Blaues Licht	20
Altgeräte entsorgen	9	Kühlfach.....	20
Aufstellung und Installation	9	Beschreibung und Hinweise zur Reinigung des Geruchsfilters:	20
Füße einstellen.....	10	Eisbereiter und Eisbehälter	21
Tür-offen-Warnung.....	10	Wasserspender	22
Auswechseln der Beleuchtung	10	Tropfschale	23
		6 Wartung und Reinigung	24
		Schutz der Kunststoffflächen	24
		7 Empfehlungen zur Problemlösung	25

1 Ihr Kühlschrank



- | | |
|--------------------------------------|--------------------------------------|
| 1- Tiefkühlbereich-Türablagen | 12- Gemüsefachabdeckung |
| 2- Wasserspendertankkappe | 13- Kühlfach |
| 3- Wasserspendertank | Kühlbereich-Glasablagen |
| 4- Eierhalter | 15- Kühlbereich-Innenbeleuchtung |
| 5- Flaschenhalter | 16- Weinablage |
| 6- Kühlbereich-Türablagen | 17- Geruchsfilter (Kohlefilter) |
| 7- Einstellbare Füße | 18- Eisbereiter oder Eiswürfelschale |
| 8- Gemüse-/Kühlfach-Einstellschieber | 19- Frischgefrierfach |
| 9- Blaues Licht | 20- Tiefkühlbereich-Innenbeleuchtung |
| 10- Belüftungsdeckel | 21- Tiefkühlbereich |
| 11- Gemüsefächer | 22- Kühlbereich |

*** OPTIONAL**

i Abbildungen und Angaben in dieser Anleitung sind schematisch und können etwas von Ihrem Gerät abweichen. Falls Teile nicht zum Lieferumfang des erworbenen Gerätes zählen, gelten sie für andere Modelle.

2 Wichtige Sicherheitshinweise

Bitte lesen Sie die folgenden Hinweise aufmerksam durch. Bei Nichtbeachtung kann es zu Verletzungen und/oder Sachschäden kommen. In diesem Fall erlöschen auch sämtliche Garantie- und sonstigen Ansprüche.

Die reguläre Einsatzzeit des von Ihnen erworbenen Gerätes beträgt 10 Jahre. In diesem Zeitraum halten wir Ersatzteile für das Gerät bereit, damit es stets wie gewohnt arbeiten kann.

Bestimmungsgemäßer Gebrauch

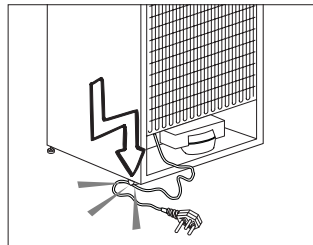
- Dieses Gerät ist ausschließlich zum Einsatz im Haushalt und bei ähnlichen Anwendungen vorgesehen:
 - Personalküchen in Geschäften, Büros und an anderen Arbeitsplätzen;
 - Nutzung auf Bauernhöfen, durch Gäste von Hotels, Motels und anderen Herbergen;
 - Private Zimmervermietung;
 - Catering und ähnliche Anwendungsbereiche.
- Das Gerät sollte nicht im Freien benutzt werden. Es ist nicht für die Nutzung außerhalb des Hauses geeignet, auch wenn die Stelle überdacht ist.

Allgemeine Hinweise zu Ihrer Sicherheit

- Wenn Sie das Gerät entsorgen möchten, wenden Sie sich am besten an den autorisierten Kundendienst. Hier erhalten Sie notwendige Informationen und erfahren, welche Stellen für die Entsorgung zuständig sind.
- Bei Problemen und Fragen zum Gerät wenden Sie sich grundsätzlich an den autorisierten Kundendienst. Ziehen Sie keine Dritten zu Rate, versuchen Sie nichts in Eigenregie, ohne den autorisierten Kundendienst davon in Kenntnis zu setzen.

- Der Verzehr von Speiseeis und Eiswürfeln unmittelbar nach der Entnahme aus dem Tiefkühlbereich ist nicht ratsam. (Dies kann zu Erfrierungen führen.)
- Bewahren Sie Getränke in Flaschen und Dosen niemals im Tiefkühlbereich auf. Diese platzen.
- Berühren Sie gefrorene Lebensmittel nicht mit der Hand; sie können festfrieren.
- Verwenden Sie niemals Dampf- oder Sprühreiniger zum Reinigen und Abtauen Ihres Kühlschranks. Die Dämpfe oder Nebel können in Kontakt mit stromführenden Teilen geraten und Kurzschlüsse oder Stromschläge auslösen.
- Missbrauchen Sie niemals Teile Ihres Kühlschranks (z. B. Tür) als Befestigungen oder Kletterhilfen.
- Nutzen Sie keine elektrischen Geräte innerhalb des Kühlschranks.
- Achten Sie darauf, den Kühlkreislauf keinesfalls mit Bohr- oder Schneidwerkzeugen zu beschädigen. Das Kühlmittel kann herauspritzen, wenn die Gaskanäle des Verdunsters, Rohr- und Schlauchleitungen oder Oberflächenversiegelungen beschädigt werden. Dies kann zu Hautreizungen und Augenverletzungen führen.
- Decken Sie keinerlei Belüftungsöffnungen des Kühlschranks ab.
- Reparaturen an Elektrogeräten dürfen nur von qualifizierten Fachleuten ausgeführt werden. Reparaturen durch weniger kompetente Personen können erhebliche Gefährdungen des Anwenders verursachen.
- Sollten Fehler oder Probleme während der Wartung oder Reparaturarbeiten auftreten, so trennen Sie den Kühlschrank von der Stromversorgung, indem Sie die entsprechende Sicherung abschalten oder den Netzstecker ziehen.

- Ziehen Sie niemals am Netzkabel – ziehen Sie direkt am Stecker.
- Lagern Sie hochprozentige alkoholische Getränke gut verschlossen und aufrecht.
- Lagern Sie keinerlei explosiven Substanzen (dazu zählen auch Sprühdosen mit brennbarem Treibmittel) im Gerät.
- Verwenden Sie ausschließlich vom Hersteller empfohlene Geräte oder sonstige Mittel zum Beschleunigen des Abtaugvorgangs. Benutzen Sie nichts anderes.
- Dieses Gerät darf nicht von Personen (einschließlich Kindern) mit eingeschränkten physischen, sensorischen oder geistigen Fähigkeiten bedient werden. Dies gilt auch für in Bezug auf das Gerät unerfahrene Personen, sofern diese nicht beaufsichtigt oder von einer verantwortlichen Person gründlich in die Bedienung des Gerätes eingewiesen wurden.
- Nehmen Sie einen beschädigten Kühlschrank nicht in Betrieb. Bei Zweifeln wenden Sie sich bitte an den Kundendienst.
- Die elektrische Sicherheit des Gerätes ist nur dann gewährleistet, wenn das hausinterne Erdungssystem den zutreffenden Normen entspricht.
- Setzen Sie das Gerät keinem Regen, Schnee, direktem Sonnenlicht oder Wind aus, da dies die elektrische Sicherheit gefährden kann.
- Bei Beschädigungen von Netzkabeln und ähnlichen Dingen wenden Sie sich an den autorisierten Kundendienst, damit es nicht zu Gefährdungen kommt.
- Stecken Sie während der Installation niemals den Netzstecker ein. Andernfalls kann es zu schweren bis tödlichen Verletzungen kommen.
- Dieses Tiefkühlgerät dient nur zur Aufbewahrung von Lebensmitteln. Für andere Zwecke sollte es nicht verwendet werden.
- Das Schild mit der Beschreibung der technischen Daten des Produkts befindet sich innen links im Tiefkühler.
- Schließen Sie das Kühlgerät nicht an elektronische Energiesparsysteme an, da sonst das Produkt beschädigt werden kann.
- Wenn der Tiefkühler ein blaues Licht zeigt, sehen Sie nicht durch die blauen optischen Teile.
- Wenn die Stromversorgung bei manuell gesteuerten Tiefkühlgeräten abgeschaltet ist, warten Sie bitte mindestens 5 Minuten, bevor Sie den Strom wieder einschalten.
- Diese Bedienungsanleitung sollte bei Besitzerwechsel dem nächsten Besitzer übergeben werden.
- Wenn Sie den Tiefkühler bewegen, stellen Sie sicher, dass Sie das Stromkabel nicht beschädigen. Um Feuer zu vermeiden, verdrehen Sie das Stromkabel nicht. Schwere Objekte sollten nicht auf das Stromkabel gestellt werden. Wenn der Tiefkühler angeschlossen ist, fassen Sie den Stecker nicht mit nassen Händen an.



- Schließen Sie den Tiefkühler nicht an, wenn die Steckdose lose sitzt.
- Spritzen Sie aus Sicherheitsgründen kein Wasser direkt auf oder in den Tiefkühler.
- Sprühen Sie keine entflammenden Stoffe, wie Propangas usw. in die Nähe des Tiefkühlers. Es besteht Feuer- und Explosionsgefahr.

- Stellen Sie keine mit Wasser gefüllten Objekte auf den Tiefkühler. Ein Kurzschluss oder Feuer könnte die Folge sein.
- Überladen Sie den Tiefkühler nicht. Wenn der Tiefkühler zu voll ist, können Lebensmittel herausfallen. Sie könnten Verletzungen erleiden und der Tiefkühler könnte beschädigt werden. Stellen Sie keine Objekte auf den Tiefkühler. Die Objekte könnten beim Öffnen oder Schließen der Tür herunterfallen.
- Materialien, die bestimmte Temperaturen erfordern, wie z.B. Impfstoffe, temperaturempfindliche Medikamente, wissenschaftliche Materialien usw. dürfen nicht im Tiefkühler aufbewahrt werden.
- Wenn der Tiefkühler eine längere Zeit nicht benutzt wird, sollte er von der Stromversorgung getrennt werden. Ein Problem bei der Isolierung des Kabels könnte ein Feuer verursachen.
- Die Spitze des Steckers sollte regelmäßig gereinigt werden, um ein Feuer zu vermeiden.
- Der Tiefkühler kann sich bewegen, wenn die verstellbaren Füße nicht fest auf dem Boden stehen. Mit den verstellbaren Füßen können Sie den Tiefkühler fest am Boden positionieren.
- Sofern Ihr Kühlgerät mit Türgriffen ausgestattet ist, missbrauchen Sie diese Griffe niemals zum Bewegen des Gerätes; andernfalls können sich die Griffe vom Gerät lösen.
- Falls das Gerät in unmittelbarer Nähe eines anderen Kühlgerätes aufgestellt werden muss, achten Sie unbedingt darauf, dass zwischen den Geräten mindestens 8 cm Abstand verbleiben. Andernfalls kann es zu Feuchtigkeitsniederschlag an benachbarten Flächen kommen.
- Der Wasserdruck muss mindestens 1 bar betragen, darf 8 bar jedoch nicht überschreiten.
- Nur Trinkwasser verwenden.

Kinder – Sicherheit

- Bei abschließbaren Türen bewahren Sie den Schlüssel außerhalb der Reichweite von Kindern auf.
- Kinder sollten grundsätzlich beaufsichtigt werden, damit sie nicht mit dem Gerät spielen.

HCA-Warnung

Sofern Ihr Gerät mit dem Kühlmittel R600a arbeitet:

Dieses Gas ist leicht entflammbar.

Achten Sie also darauf, Kühlkreislauf und Leitungen während Betrieb und Transport nicht zu beschädigen. Bei Beschädigungen halten Sie das Produkt von potenziellen Zündquellen (z. B. offenen Flammen) fern und sorgen für eine gute Belüftung des Raumes, in dem das Gerät aufgestellt wurde.

Diese Warnung gilt nicht für Sie, wenn Ihr Gerät mit dem Kühlmittel R134a arbeitet.

Das Typenschild links im Innenraum informiert Sie über den in Ihrem Gerät eingesetzten Kühlmitteltyp.

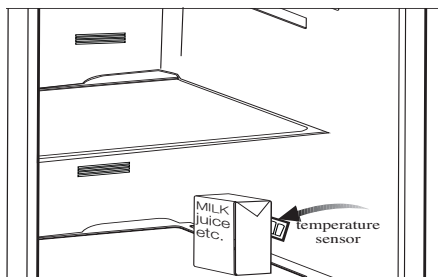
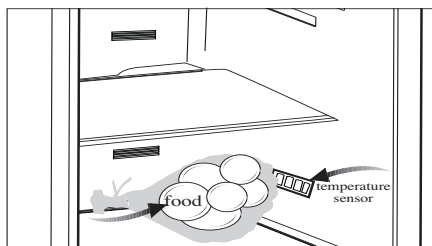
Entsorgen Sie das Gerät niemals durch Verbrennen.

Tipps zum Energiesparen

- Halten Sie die Kühlschränke nur möglichst kurz geöffnet.
- Lagern Sie keine warmen Speisen oder Getränke im Kühlschrank ein.
- Überladen Sie den Kühlschrank nicht; die Luft muss frei zirkulieren können.
- Stellen Sie den Kühlschrank nicht im direkten Sonnenlicht oder in der Nähe von Wärmequellen wie Öfen, Spülmaschinen oder Heizkörpern auf.
- Achten Sie darauf, Ihre Lebensmittel in verschlossenen Behältern aufzubewahren.
- Sie können besonders viele Lebensmittel im Tiefkühlbereich des Gerätes lagern, wenn Sie zuvor die Ablage oder Schublade im Tiefkühlbereich herausnehmen. Die Energieverbrauchswerte Ihres Kühlschranks wurden bei maximaler Beladung bei herausgenommenen Ablagen oder Schubladen ermittelt. Ansonsten ist es Ihnen freigestellt, die Ablagen oder Schubladen zu verwenden.

Empfehlungen zum Kühlbereich * FAKULTATIV

- Achten Sie darauf, dass der Temperatursensor im Kühlbereich nicht mit Lebensmitteln in Berührung kommt. Damit die optimale Lagerungstemperatur im variablen Fach beibehalten werden kann, darf der Sensor nicht von Lebensmitteln blockiert werden.
- Geben Sie keine heißen Speisen in das Gerät.



3 Installation

⚠ Bitte beachten Sie, dass der Hersteller nicht haftet, wenn Sie sich nicht an die Informationen und Anweisungen der Bedienungsanleitung halten.

Was Sie bei einem weiteren Transport Ihres Kühlschranks beachten müssen

1. Der Kühlschrank muss vor dem Transport geleert und gesäubert werden.
2. Befestigen und sichern Sie Ablagen, Zubehör, Gemüsefach, etc. mit Klebeband, bevor Sie das Gerät neu verpacken.
3. Die Verpackung muss mit kräftigem Klebeband und stabilen Seilen gesichert, die auf der Verpackung aufgedruckten Transporthinweise müssen beachtet werden.

Vergessen Sie nicht...

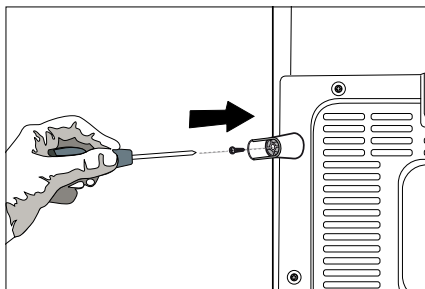
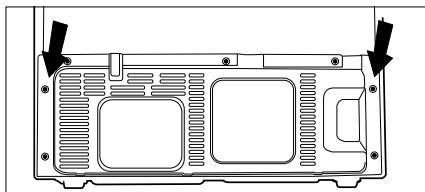
Jeder wiederverwendete Artikel stellt eine unverzichtbare Hilfe für unsere Natur und unsere Ressourcen dar.

Wenn Sie zur Wiederverwertung von Verpackungsmaterialien beitragen möchten, können Sie sich bei Umweltschutzvereinigungen und Ihren Behörden vor Ort informieren.

Bevor Sie Ihren Kühlschrank einschalten

Bevor Sie Ihren Kühlschrank in Betrieb nehmen, beachten Sie bitte Folgendes:

1. Ist der Innenraum des Kühlschranks trocken, kann die Luft frei an der Rückseite zirkulieren?
2. Sie können die beiden Kunststoffkeile wie in der Abbildung gezeigt anbringen. Die Kunststoffkeile sorgen für den richtigen Abstand zwischen Kühlschrank und Wand - und damit für die richtige Luftzirkulation. (Die Abbildung dient lediglich zur Orientierung und muss nicht exakt mit Ihrem Gerät übereinstimmen.)



3. Reinigen Sie das Innere des Kühlschranks wie im Abschnitt „Wartung und Reinigung“ beschrieben.
4. Stecken Sie den Netzstecker des Kühlschranks in eine Steckdose. Wenn die Kühlbereichtür geöffnet wird, schaltet sich das Licht im Inneren ein.
5. Sie hören ein Geräusch, wenn sich der Kompressor einschaltet. Die Flüssigkeiten und Gase im Kühlsystem können auch leichte Geräusche erzeugen, wenn der Kompressor nicht läuft. Dies ist völlig normal.
6. Die Vorderkanten des Kühlgerätes können sich warm anfühlen. Dies ist normal. Diese Bereiche wärmen sich etwas auf, damit sich kein Kondenswasser bildet.

Elektrischer Anschluss

Schließen Sie das Gerät an eine geerdete (Schuko-) Steckdose an. Diese Steckdose muss mit einer passenden Sicherung abgesichert werden.

Wichtig:

- Der Anschluss muss gemäß lokaler Vorschriften erfolgen.
- Der Netzstecker muss nach der Installation frei zugänglich bleiben.
- Die angegebene Spannung muss mit Ihrer Netzspannung übereinstimmen.
- Zum Anschluss dürfen keine Verlängerungskabel oder Mehrfachsteckdosen verwendet werden.

⚠ Ein beschädigtes Netzkabel muss unverzüglich durch einen qualifizierten Elektriker ausgetauscht werden.

⚠ Das Gerät darf vor Abschluss der Reparaturen nicht mehr betrieben werden! Es besteht Stromschlaggefahr!

Verpackungsmaterialien entsorgen

Das Verpackungsmaterial kann eine Gefahr für Kinder darstellen. Halten Sie Verpackungsmaterialien von Kindern fern oder entsorgen Sie das Verpackungsmaterial gemäß den gültigen Entsorgungsbestimmungen. Entsorgen Sie Verpackungsmaterialien nicht mit dem regulären Hausmüll.

Die Verpackung Ihres Gerätes wurde aus recyclingfähigen Materialien hergestellt.

Altgeräte entsorgen

Entsorgen Sie Altgeräte auf umweltfreundliche Weise.

- Bei Fragen zur richtigen Entsorgung wenden Sie sich bitte an Ihren Händler, an eine Sammelstelle oder an Ihre Stadtverwaltung.

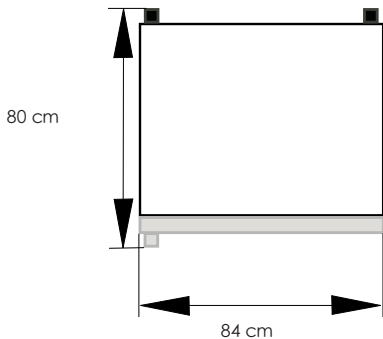
Bevor Sie das Gerät entsorgen, schneiden Sie den Netzstecker ab und machen die Türverschlüsse (sofern vorhanden) unbrauchbar, damit Kinder nicht in Gefahr gebracht werden.

Aufstellung und Installation

⚠ Falls die Tür des Raumes, in dem der Kühlschrank aufgestellt werden soll, nicht breit genug ist, wenden Sie sich an den autorisierten Kundendienst, lassen die Kühlschranktüren demontieren und befördern das Gerät seitlich durch die Tür.

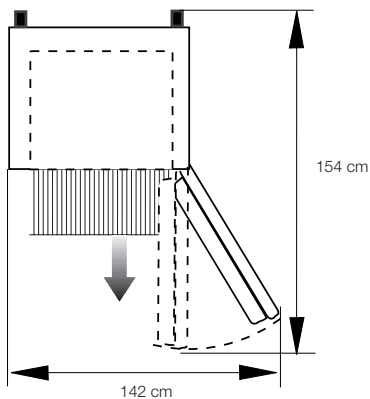
1. Stellen Sie Ihren Kühlschrank an einer gut erreichbaren Stelle auf.
2. Platzieren Sie den Kühlschrank nicht in der Nähe von Wärmequellen oder dort, wo er Feuchtigkeit oder direktem Sonnenlicht ausgesetzt ist.
3. Damit das Gerät richtig arbeiten kann, müssen Sie ausreichend Platz um das Gerät herum freilassen, damit eine ordentliche Belüftung gewährleistet ist. Wenn Sie den Kühlschrank in einer Nische aufstellen, müssen Sie einen Abstand von mindestens 5 cm zur Decke und 5 cm zu den Wänden einhalten. Wenn Sie das Gerät auf einem Teppich oder Teppichboden aufstellen, müssen Sie einen Abstand von mindestens 2,5 cm zum Boden einhalten.
4. Stellen Sie Ihren Kühlschrank auf einem ebenen Untergrund auf, damit er nicht wackelt.
5. Stellen Sie den Kühlschrank nicht an Stellen auf, an denen Temperaturen von weniger als 10 °C herrschen.

Abmessungen Ihres Kühlschranks



Stellfläche

Die folgenden Darstellungen zeigen den erforderlichen Platz, um den Kühlschrank effektiv nutzen können.



Füße einstellen

Wenn Ihr Kühlschrank nicht absolut gerade steht:

Sie können den Kühlschrank – wie in der Abbildung gezeigt – durch Drehen der Frontfüße ausbalancieren. Wenn Sie in Richtung des schwarzen Pfeils drehen, senkt sich die Ecke, an der sich der Fuß befindet. Beim Drehen in Gegenrichtung wird die Ecke angehoben. Diese Arbeit fällt erheblich leichter, wenn ein Helfer das Gerät etwas anhebt.



Tür-offen-Warnung

Ein Signal ertönt, wenn die Tür des Kühlschranks oder des Tiefkühlfachs für eine bestimmte Zeit geöffnet bleibt. Dieses Tonsignal verstummt, sobald Sie eine beliebige Taste drücken oder die Tür wieder schließen.

Auswechseln der Beleuchtung

Die Innenbeleuchtung Ihres Kühlschranks sollte ausschließlich vom autorisierten Kundendienst ausgetauscht werden.

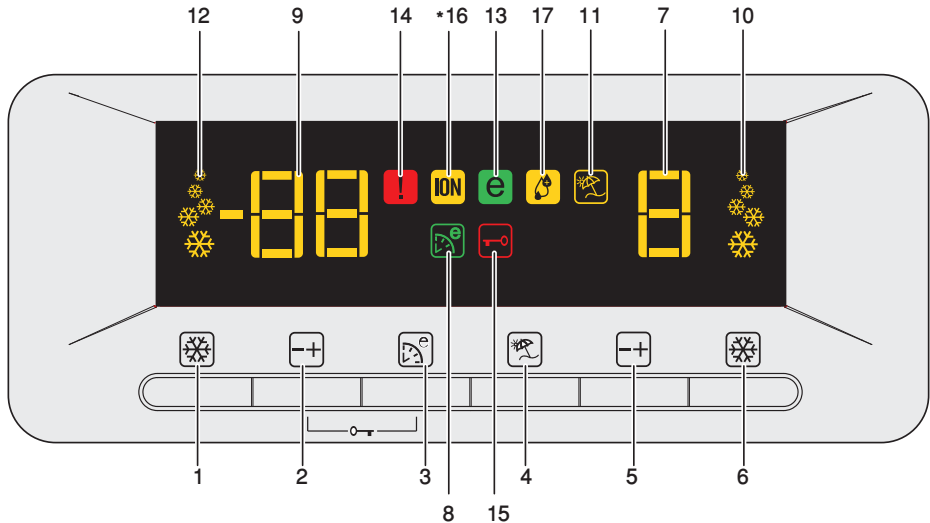
4 Vorbereitung

- i** Ihr Kühlschrank sollte mindestens 30 cm von Hitzequellen wie Kochstellen, Öfen, Heizungen, Herden und ähnlichen Einrichtungen aufgestellt werden. Halten Sie mindestens 5 cm Abstand zu Elektroöfen ein, vermeiden Sie die Aufstellung im direkten Sonnenlicht.
- i** Die Zimmertemperatur des Raumes, in dem der Kühlschrank aufgestellt wird, sollte mindestens 10 °C betragen. Im Hinblick auf den Wirkungsgrad ist der Betrieb des Kühlschranks bei geringerer Umgebungstemperatur nicht ratsam.
- i** Sorgen Sie dafür, dass das Innere Ihres Kühlschranks gründlich gereinigt wird.
- i** Falls zwei Kühlschränke nebeneinander aufgestellt werden sollen, achten Sie darauf, dass sie mindestens 2 cm voneinander entfernt platziert werden.
- i** Wenn Sie den Kühlschrank zum ersten Mal in Betrieb nehmen, halten Sie sich bitte an die folgenden Anweisungen für die ersten sechs Betriebsstunden.
 - Die Kühlschranktür sollte nicht zu häufig geöffnet werden.
 - Der Kühlschrank muss zunächst vollständig leer arbeiten.
 - Ziehen Sie nicht den Netzstecker. Falls der Strom ausfallen sollte, beachten Sie die Warnhinweise im Abschnitt „Empfehlungen zur Problemlösung“.
- i** Originalverpackung und Schaumstoffmaterialien sollten zum zukünftigen Transport des Gerätes aufbewahrt werden.

5 Kühlschranks verwenden

Anzeigefeld

Über das Sensor-Anzeigefeld können Sie die Temperatur einstellen, ohne die Tür Ihres Kühlgerätes öffnen zu müssen. Zur Temperatúrauswahl berühren Sie die passenden Tasten einfach mit dem Finger.



- | | |
|---|-------------------------------------|
| 1. Schnellgefriertaste | 8. Öko-Extra-Anzeige |
| 2. Tiefkühlbereichtemperatureinstelltaste | 9. Tiefkühlbereichtemperaturanzeige |
| 3. Öko Extra-Taste | 10. Schnellkühlanzeige |
| 4. Urlaubstaste | 11. Urlaubsfunktionsanzeige |
| 5. Kühlbereichtemperatureinstelltaste | 12. Schnellgefrieranzeige |
| 6. Schnellkühltaste | 13. Ökomodus-Anzeige |
| 7. Kühlbereichtemperaturanzeige | 14. Fehlerstatusanzeige |
| * OPTIONAL | 15. Tastensperre-Anzeige |
| | 16. Ionisatoranzeigeleuchte |
| | 17. Feuchtigkeitsanzeige |

i Abbildungen und Angaben in dieser Anleitung sind schematisch und können etwas von Ihrem Gerät abweichen. Falls Teile nicht zum Lieferumfang des erworbenen Gerätes zählen, gelten sie für andere Modelle.

1. Schnellgefrieraste

Zum Einschalten der Schnellgefrierfunktion berühren Sie diese Taste nur kurz. Zum Abschalten der ausgewählten Funktion berühren Sie die Taste noch einmal.

2. Tiefkühlbereichtemperatur instellaste

Durch mehrmaliges Drücken dieser Taste stellen Sie die Tiefkühlbereichtemperatur auf -18 °, -20 °, -22 °, -24 °, -18 °C ... ein. Stellen Sie die Temperatur des Tiefkühlbereiches mit dieser Taste ein.

3. Öko Extra-Taste

Zum Einschalten der Öko Extra-Funktion berühren Sie diese Taste nur kurz.

4. Urlaubstaste

Zum Einschalten der Öko-Extra-Funktion drücken Sie diese Taste nur kurz. Wenn Ihr Kühlschrank kein Eis mehr bereiten soll, halten Sie dieselbe Taste 3 Sekunden lang gedrückt.

5. Kühlbereichtemperatureinstellaste

Durch mehrmaliges Drücken dieser Taste stellen Sie die Kühlbereichtemperatur auf 8 °, 6 °, 4° oder 2 ° ein. Stellen Sie die Temperatur des Kühlbereiches mit dieser Taste ein.

6. Schnellkühlen-Taste

Zum Einschalten der Schnellkühlfunktion berühren Sie diese Taste nur kurz. Zum Abschalten der ausgewählten Funktion berühren Sie die Taste noch einmal.

7. Kühlbereichtemperaturanzeige

Zeigt die für den Kühlbereich eingestellte Temperatur an.

8. Öko-Extra-Anzeige

Zeigt an, dass die Öko Extras-Funktion aktiv ist. Wenn diese Funktion aktiv ist, erkennt Ihr Kühlgerät die Zeiten, in denen Sie das Kühlgerät besonders selten nutzen und passt die Kühlungsleistung in diesen Zeiträumen entsprechend an. In den Perioden besonders energiesparender Kühlung leuchtet die Ökomodus-Anzeige auf.

9. Tiefkühlbereichtemperaturanzeige

Zeigt die für den Tiefkühlbereich eingestellte Temperatur an.

10. Schnellkühlanzeige

Zeigt an, dass die Schnellkühlfunktion aktiv ist. Diese Funktion nutzen Sie, wenn Sie frische Lebensmittel in das Kühlfach geben oder Ihre Lebensmittel besonders schnell kühlen möchten. Wenn diese Funktion aktiv ist, arbeitet Ihr Kühlgerät 2 Stunden lang ununterbrochen.

Zum Abschalten dieser Funktion berühren Sie die Taste noch einmal.

11. Urlaubsfunktionanzeige

Zeigt an, dass die Urlaubsfunktion aktiv ist. Wenn diese Funktion aktiv ist, erscheint „-“ in der Anzeige zum Kühlbereich – der Kühlbereich wird nicht mehr gekühlt. Die restlichen Bereiche werden weiterhin mit den vorgegebenen Temperaturen gekühlt. Zum Abschalten dieser Funktion berühren Sie die Taste noch einmal.

12. Schnellgefrieranzeige

Zeigt an, dass die Schnellgefrierfunktion aktiv ist. Diese Funktion nutzen Sie, wenn Sie frische Lebensmittel in das Tiefkühlfach geben oder Eis benötigen. Wenn diese Funktion aktiv ist, arbeitet Ihr Kühlgerät 6 Stunden lang ununterbrochen.

Zum Abschalten dieser Funktion berühren Sie die Taste noch einmal.

13. Ökomodus-Anzeige

Zeigt an, dass das Kühlgerät besonders energiesparend arbeitet. Diese Anzeige leuchtet auf, wenn die Temperatur des Tiefkühlbereiches auf -18 °C eingestellt ist oder das Gerät im Zuge der Öko-Extra-Funktion besonders ökonomisch arbeitet.

14. Fehlerstatusanzeige

Diese Anzeige wird aktiv, wenn Ihr Kühlgerät nicht effektiv funktioniert oder ein Sensor ausgefallen sein sollte. Wenn diese Anzeige aktiv ist, zeigt die Tiefkühlbereichtemperaturanzeige „E“, die Kühlbereichtemperaturanzeige Zahlen an; z. B. „1, 2, 3, ...“. Anhand dieser

Zahlen kann der Kundendienst wertvolle Informationen über den jeweiligen Fehler gewinnen.

15. Tastensperre-Anzeige

Diese Funktion nutzen Sie, wenn die Temperatureinstellungen Ihres Kühlgerätes unverändert bleiben sollen. Zum Einschalten dieser Funktion halten Sie die Öko-Extra-Taste und die Tiefkühlbereichtemperatureinstelltaste gemeinsam 3 Sekunden lang gedrückt.

Zum Abschalten dieser Funktion drücken Sie die entsprechenden Tasten noch einmal.

16. Ionisatoranzeigeleuchte

Die Anzeige leuchtet ständig. Diese Leuchte zeigt an, dass Ihr Kühlschrank gegen Bakterienbefall geschützt ist.

17. Feuchtigkeitsanzeige

Die Anzeige leuchtet ständig. Diese Leuchte zeigt an, dass Lebensmittel lange Zeit bei optimaler Feuchtigkeit aufbewahrt werden können.

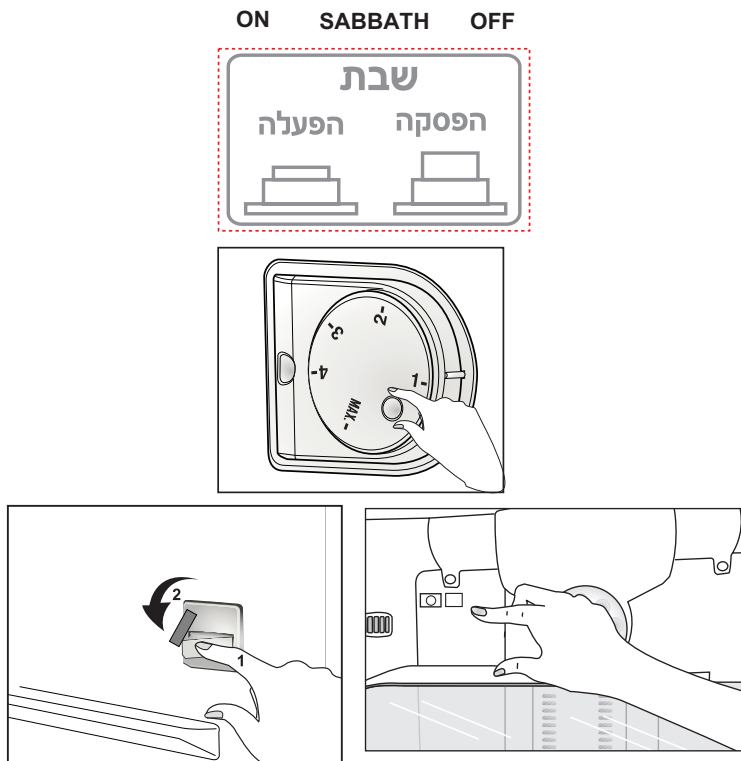
Sabbat-Modus:

Dieser Modus dient einer kurzfristigen Nutzung und zielt auf konstante Kühlung ab, während er Lebensmittel und Gemüse frisch hält. Daher raten wir dringend davon ab, diesen Modus zu aktivieren, wenn das Gerät häufig verwendet wird oder frisch beladen ist. Drücken Sie zur Aktivierung des Sabbath-Modus die Sabbath-Taste. Er wird automatisch aktiviert. Der Kühlbereichsschalter sollte auf Wunsch über den mechanischen Schalter verriegelt sein. Drücken Sie zum Deaktivieren des Sabbath-Modus die Sabbath-Taste, lassen Sie sie dann los. Er wird automatisch deaktiviert. Der Kühlbereichsschalter kann über den mechanischen Schalter entriegelt sein.

Hinweise:

Wenn das Gerät bei geringen Temperaturen in den Sabbath-Modus umgeschaltet wird, sollte das Gefrierschutzthermostat auf die Mindestposition eingestellt sein (stellen Sie es bei 10 °C auf 1 ein). Wenn das Gerät bei hohen Umgebungstemperaturen (über 35 °C) in den Sabbath-Modus umgeschaltet wird, sollte das Gefrierschutzthermostat auf die maximale Position eingestellt werden. Wenn Sie das Gerät länger als erforderlich im Sabbath-Modus belassen, können Ihre Lebensmittel bei hohen Umgebungstemperaturen verderben.

* **Optional**



Tür-offen-Warnung

Ein Tonsignal erklingt, wenn die Tür des Kühlbereiches länger als 1 Minute lang offen steht. Dieses Tonsignal verstummt, sobald Sie eine beliebige Taste drücken oder die Tür wieder schließen.

Doppeltes Kühlsystem:

Ihr Kühlgerät ist mit zwei getrennten Kühlsystemen für Kühl- und Tiefkühlbereich ausgestattet. Dadurch vermischt sich die Luft im Kühlbereich nicht mit der Luft im Tiefkühlbereich. Durch die Trennung der Kühlsysteme kühlt Ihr Gerät erheblich schneller als viele andere Kühlgeräte. Auch die Gerüche der beiden Kühlbereiche bleiben getrennt. Darüber hinaus sparen Sie Energie, da auch das Abtauen getrennt erfolgt.

Tiefkühlbereiche instellung	Kühlbereiche instellung	Erklärungen
-18°C	4°C	Dies ist die allgemein empfohlene Einstellung.
-20, -22 oder -24 °C	4°C	Diese Einstellungen werden empfohlen, wenn die Umgebungstemperatur 30 °C überschreitet.
Schnellgefrieren	4°C	Diese Funktion nutzen Sie zum Einfrieren von Lebensmitteln in kurzer Zeit. Nachdem der Vorgang abgeschlossen ist, wechselt Ihr Kühlschrank wieder zum zuvor eingestellten Modus.
-18 °C oder kälter	2 °C	Halten Sie sich an diese Einstellung, falls Sie meinen, dass der Kühlbereich aufgrund zu hoher Außentemperatur, der Nähe zu Wärmequellen oder zu häufiges Öffnen und Schließen der Kühlschranktür nicht kalt genug wird.
-18 °C oder kälter	Schnellkühlung	Verwenden Sie diese Einstellung, wenn der Kühlbereich überladen ist oder Sie die Inhalte schneller abkühlen möchten. Wir empfehlen, die Schnellkühlfunktion 4 bis 8 Stunden vor dem Einlagern frischer Lebensmittel einzuschalten.

Frische Lebensmittel tiefkühlen

Es ist ratsam, die Lebensmittel einzuwickeln oder abzudecken, bevor sie im Kühlschrank gelagert werden.

Heiße Speisen müssen auf Raumtemperatur abgekühlt sein, ehe sie in den Kühlschrank gegeben werden.

Lebensmittel, die Sie einfrieren möchten, sollten frisch und von guter Qualität sein.

Verteilen Sie die Lebensmittel / Gerichte auf familienfreundliche oder sonstwie sinnvolle Portionen.

Lebensmittel sollten luftdicht verpackt sein, damit sie nicht austrocknen. Dies gilt auch dann, wenn Sie Lebensmittel nur kurze Zeit lagern möchten.

Geeignete Verpackungsmaterialien müssen reißfest, luftdicht und unempfindlich gegenüber Kälte, Feuchtigkeit, Gerüchen, Ölen und Säuren sein. Darüber hinaus müssen sie sich leicht verschließen lassen, unkompliziert in der Handhabung und natürlich zum Tiefkühlen geeignet sein.

Verbrauchen Sie eingefrorene Lebensmittel nicht direkt nach dem Auftauen und frieren Sie sie nicht wieder ein.

Bitte beachten Sie die folgenden Hinweise, um beste Resultate zu erzielen.

1. Frieren Sie nicht zu große Mengen auf einmal ein. Die Qualität der Lebensmittel bleibt am besten erhalten, wenn sie so schnell wie möglich bis in den Kern tiefgekühlt werden.

2. Wenn Sie noch warme Speisen in das Tiefkühlfach stellen, bewirken Sie damit, dass das Kühlsystem ununterbrochen arbeitet, bis die Speisen komplett tiefgekühlt sind.

3. Achten Sie besonders darauf, bereits tiefgekühlte und frische Speisen nicht zu vermischen.

Empfehlungen zur Konservierung von gefrorenen Lebensmitteln

Handelsübliche, verpackte Tiefkühlkost sollte gemäß den Hinweisen des Herstellers zur Lagerung in Viersterne-Fächern **✱✱✱✱** gelagert werden.

Um besonders gute Ergebnisse zu erzielen und zu erhalten, sollten Sie Folgendes berücksichtigen:

1. Geben Sie Lebensmittel so schnell wie möglich nach dem Kauf in den Tiefkühlbereich.

2. Sorgen Sie dafür, dass sämtliche Lebensmittel beschriftet und mit einem Datum versehen werden.

3. Achten Sie darauf, dass das Mindesthaltbarkeitsdatum auf der Verpackung nicht überschritten wird.

Bei Stromausfall halten Sie die Tür des Tiefkühlbereiches geschlossen. Gefrorene Lebensmittel nehmen keinen Schaden, solange der Stromausfall nicht länger als unter „Haltezeit nach Ausfall“ (siehe Technische Daten) angegeben andauert.

Falls der Stromausfall länger andauern sollte, müssen Sie die Lebensmittel überprüfen und nötigenfalls entweder sofort konsumieren oder kochen und danach wieder einfrieren.

Abtauen

Der Tiefkühlbereich taut automatisch ab.

Lebensmittel einlagern

Tiefkühlbereich-Ablagen	Verschiedene gefrorene Lebensmittel wie Fleisch, Fisch, Speiseeis, Gemüse, etc.
Eierhalter	Eier
Kühlbereich-Ablagen	Lebensmittel in Pfannen, Töpfen, auf abgedeckten Tellern, in geschlossenen Behältern
Kühlbereich-Türablagen	Kleine, verpackte Lebensmittelprodukte oder Getränke (zum Beispiel Milch, Saft und Bier)
Gemüsefach	Gemüse und Früchte
Frischefach	Milchprodukte (Käse, Butter, ...), Salami, und so weiter

Hinweise zum Tiefkühlen

Lebensmittel sollten schnellstmöglich eingefroren werden, damit sie nicht an Qualität verlieren.

Die TSE-Norm schreibt (je nach Messbedingungen) vor, dass ein Kühlschrank mindestens 4,5 kg Lebensmittel pro 100 Liter Gefriervolumen bei einer Umgebungstemperatur von 32 °C in 24 Stunden auf -18 °C abkühlen kann.

Nur bei Temperaturen von -18 °C oder weniger ist es möglich, Lebensmittel lange Zeit zu lagern.

Sie können die Frische von Lebensmitteln viele Monate bewahren (bei einer Temperatur von -18 °C oder weniger im Tiefkühlbereich).

WARNUNG!

- Verteilen Sie die Lebensmittel / Gerichte auf familienfreundliche oder sonstige sinnvolle Portionen.
- Lebensmittel sollten luftdicht verpackt sein, damit sie nicht austrocknen. Dies gilt auch dann, wenn Sie Lebensmittel nur kurze Zeit lagern möchten.

Benötigtes Verpackungsmaterial:

- Kältebeständiges Klebeband
- Selbstklebende Etiketten
- Gummiringe
- Stift

Geeignete Verpackungsmaterialien müssen reißfest und unempfindlich gegenüber Kälte, Feuchtigkeit, Gerüchen, Ölen und Säuren sein.

Einzufrierende Lebensmittel sollten keinen direkten Kontakt zu bereits gefrorenen Lebensmitteln haben, damit diese nicht anzutauen.

Die Gefrierkapazität Ihres Kühlschranks können Sie im Abschnitt „Technische Daten“ im ersten Teil nachlesen.

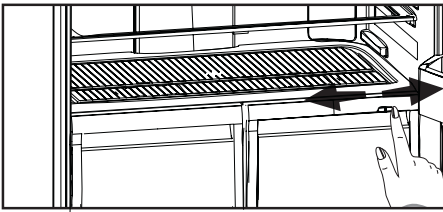
Halten Sie sich hinsichtlich der Aufbewahrungsdauer immer an die Tabellenwerte.

Verbrauchen Sie eingefrorene Lebensmittel nicht direkt nach dem Auftauen und frieren Sie sie nicht wieder ein.

Feuchtigkeitskontrolle im Gemüsefach

Sie können den Feuchtigkeitsgrad regulieren, indem Sie den Feuchtigkeitseinstellschieber nach rechts oder links bewegen.

- Wenn Sie etwas Feuchtigkeit in diesem Fach bewahren möchten, bringen Sie den Feuchtigkeitseinstellschieber in die geschlossene Position. (rechts)
- Wenn Sie die Feuchtigkeit in diesem Fach beseitigen möchten, bringen Sie den Feuchtigkeitseinstellschieber in die offene Position. (links)



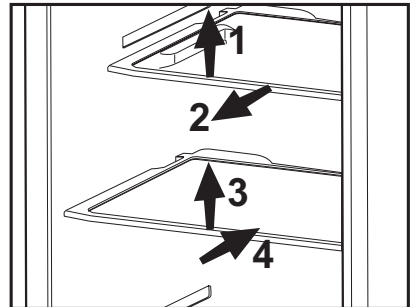
Eierbehälter

- Sie können den Eierhalter in der Tür oder auf einer Ablage platzieren.
- Legen Sie den Eierhalter niemals in den Tiefkühlbereich.

Verschiebbare Ablagen

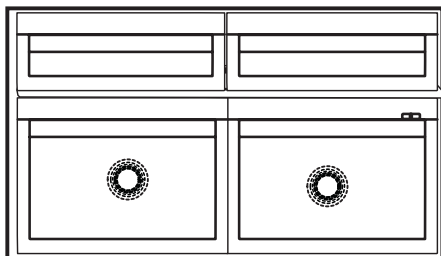
Sie verschieben die Ablagen, indem Sie sie vorne etwas anheben und anschließend nach vorne ziehen oder nach hinten schieben. Sie können die Ablagen bis zum Anschlag herausziehen, um leichter an die Lebensmittel im hinteren Teil der Ablage heranzukommen. Die Ablage lässt sich vollständig entnehmen, indem Sie sie leicht anheben und anschließend weiter herausziehen.

Halten Sie die Ablage fest im Griff (am besten von unten abstützen), damit sie nicht kippt. Die Ablagen laufen in Schienen an den Seiten des Innenraums; Sie können Schienen in unterschiedlicher Höhe nutzen. Schieben Sie die Ablage stets bis zum Anschlag ein.



Blaues Licht (OPTIONAL)

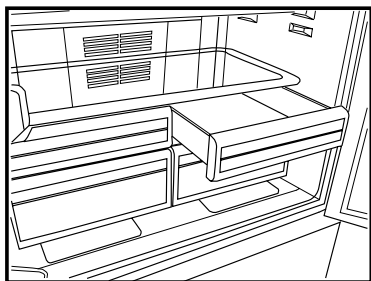
Im Gemüsefach gelagertes Gemüse, wird mit blauem Licht beleuchtet. Dadurch wird die Photosynthese mit Hilfe des Wellenlängeneffekts des blauen Lichts fortgesetzt, Vitamine und Frische bleiben erhalten.



Kühlfach (OPTIONAL)

Im Kühlfach können Sie Lebensmittel auf das Einfrieren vorbereiten. Ebenso eignet sich dieser Bereich für Lebensmittel, die Sie ein paar Grad unterhalb der regulären Kühlbereichstemperatur aufbewahren möchten.

Durch Herausnehmen der Kühlfächer können Sie das Volumen Ihres Kühlschranks vergrößern. Dazu ziehen Sie das entsprechende Fach zu sich heran, bis es gegen den Anschlag stößt. Nun heben Sie das Fach etwa 1 cm an und ziehen es zu sich hin heraus.

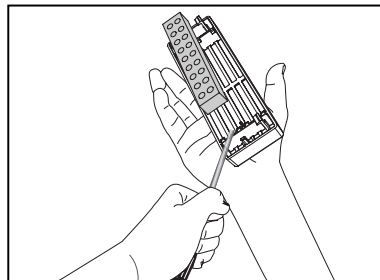
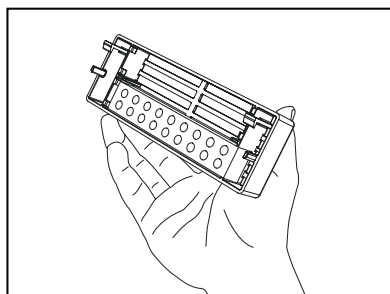
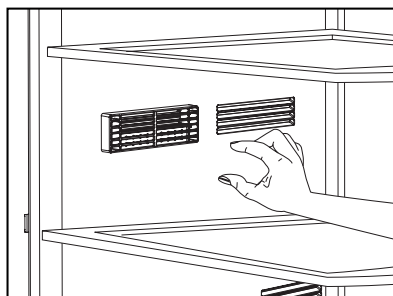


Beschreibung und Hinweise zur Reinigung des Geruchsfilters:

Der Geruchsfilter verhindert die Bildung unangenehmer Gerüche in Ihrem Kühlschrank.

Ziehen Sie die Abdeckung, in der sich der Geruchsfilter befindet, nach unten, entnehmen Sie ihn wie in der Abbildung gezeigt. Legen Sie den Filter einen Tag lang ins Sonnenlicht. Der Filter reinigt sich in dieser Zeit. Bringen Sie den Filter wieder an Ort und Stelle an.

Der Geruchsfilter muss einmal jährlich gereinigt werden.



Eisbereiter und Eisbehälter (OPTIONAL)

Eisbereiter verwenden

Füllen Sie den Eisbereiter mit Wasser, setzen Sie ihn in seine Halterung. Ihr Eis ist nach etwa zwei Stunden fertig. Zum Entnehmen des Eises nehmen Sie den Eisbereiter nicht heraus.

Drehen Sie die Knöpfe daran um 90 ° im Uhrzeigersinn.

Die Eiswürfel fallen in den darunter liegenden Eiswürfelbehälter.

Sie können den Eisbehälter zum Servieren der Eiswürfel herausnehmen.

Wenn Sie möchten, können Sie das Eis auch im Eisbehälter aufbewahren.

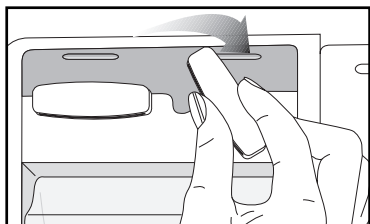
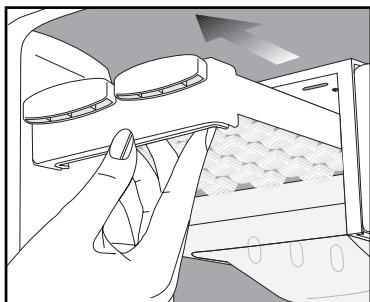
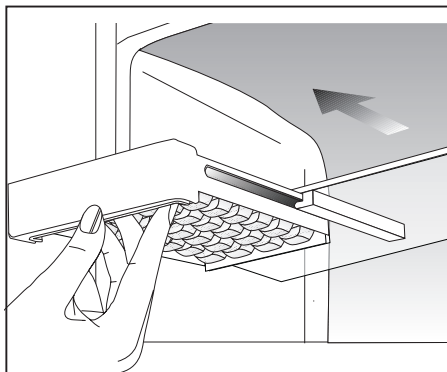
Eisbehälter

Der Eisbehälter dient ausschließlich zum Sammeln der Eiswürfel. Füllen Sie kein Wasser ein. Der Behälter wird sonst platzen.

Eis herstellen (OPTIONAL)

Füllen Sie die Eisschale mit Wasser, setzen Sie sie in ihre Halterung. Ihr Eis ist nach etwa zwei Stunden fertig.

Sie können das Eis leichter entnehmen, wenn Sie die Eisschale etwas verdrehen.



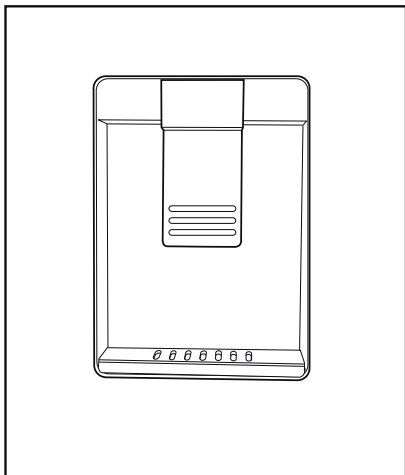
Wasserspender (OPTIONAL)

Der Wasserspender ist eine praktische Einrichtung, mit der Sie kühles Wasser zapfen können, ohne dabei die Tür Ihres Kühlschranks öffnen zu müssen. Da die Tür nicht geöffnet werden muss, geht weniger Energie verloren - Sie sparen Strom.

So benutzen Sie den Wasserspender

Drücken Sie mit dem Glas gegen den Hebel des Wasserspenders. Der Wasserfluss stoppt, sobald Sie den Hebel wieder freigeben.

Den maximale Wasserdurchfluss erreichen Sie, wenn Sie den Hebel komplett drücken. Die Wassermenge können Sie nach Wunsch regulieren, indem Sie den Hebel nur leicht oder ganz betätigen. Verringern Sie den Druck auf den Hebel, wenn das Gefäß fast gefüllt ist, damit nichts überläuft. Wenn Sie den Hebel nur leicht betätigen, tropft das Wasser lediglich heraus - dies ist völlig normal.

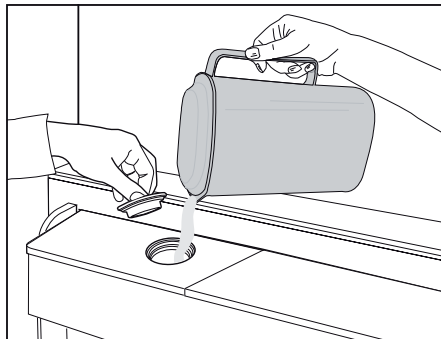


Wassertank des Wasserspenders füllen

Öffnen Sie die Kappe des Wassertanks, wie in der Abbildung gezeigt. Füllen Sie sauberes Trinkwasser ein. Schließen Sie die Kappe.

Achtung!

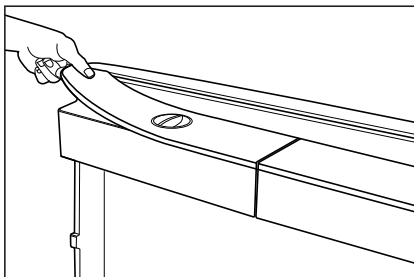
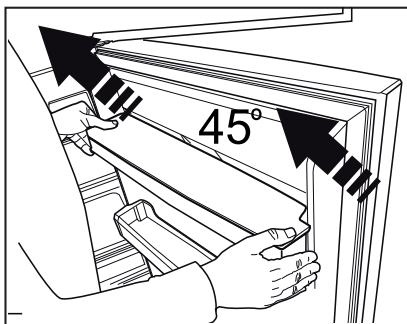
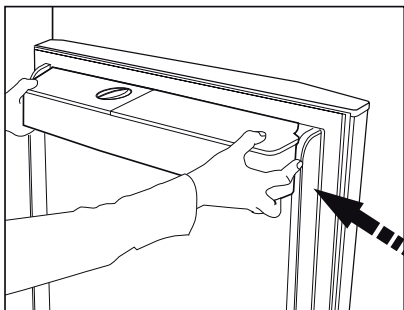
- Füllen Sie den Wassertank nur mit sauberem Trinkwasser, nicht mit anderen Flüssigkeiten gleich welcher Art. Wenn Sie andere Flüssigkeiten einfüllen, wird der Wasserspender beschädigt; im schlimmsten Fall ist keine Reparatur mehr möglich. Ein solcher Missbrauch wird nicht durch die Garantie abgedeckt. In manchen Getränken sind chemische Bestandteile oder andere Zusätze enthalten, die das Material des Wassertanks angreifen können.
- Verwenden Sie ausschließlich sauberes Trinkwasser.
- Der Tank des Wasserspenders fasst 3 Liter; überfüllen Sie den Tank nicht.
- Betätigen Sie den Wasserspenderhebel mit einem stabilen Gefäß. Wenn Sie Einweg-Plastikbecher benutzen, betätigen Sie den Hebel hinter dem Becher mit den Fingern.



Wassertank reinigen

Nehmen Sie den Wassertank heraus, lösen Sie den Deckelmechanismus vom Tank. Reinigen Sie den Wassertank mit warmem Leitungswasser, setzen Sie den Deckel wieder auf.

Beim Einsetzen des Wassertanks achten Sie darauf, dass die Haken richtig in die Aufnahmen an der Tür greifen. Sorgen Sie dafür, dass die z. B. beim Reinigen entnommenen Teile wieder an ihren ursprünglichen Platz gelangen. Andernfalls kann es passieren, dass Wasser ausläuft.



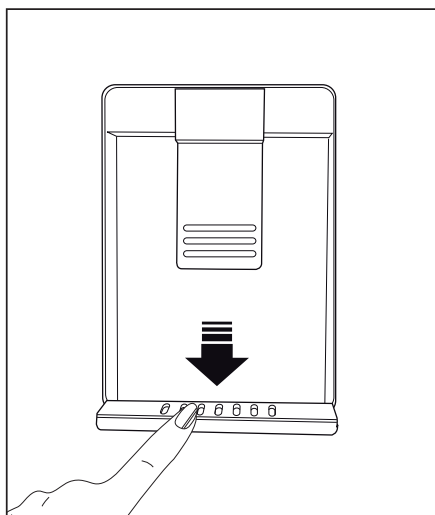
Wichtig:

Der Wassertank und die Teile des Wasserspenders sind nicht spülmaschinenfest.

Tropfschale (OPTIONAL)

Wasser, das bei der Benutzung des Wasserspenders hinunter tropft, sammelt sich in der Tropfschale. Entnehmen Sie die Tropfschale von Zeit zu Zeit, indem Sie sie zu sich heran ziehen; leeren Sie die Tropfschale aus.

Entfernen Sie den Kunststoffablauf durch Hinabdrücken der Kante; orientieren Sie sich dabei an der Abbildung.



6 **Wartung und Reinigung**

- ⚠ Verwenden Sie zu Reinigungszwecken niemals Benzin oder ähnliche Substanzen.
- ⚠ Wir empfehlen, vor dem Reinigen den Netzstecker zu ziehen.
- ⚠ Verwenden Sie zur Reinigung niemals scharfe Gegenstände, Seife, Haushaltsreiniger, Waschmittel oder Wachspolituren.
- ℹ Reinigen Sie das Gehäuse des Gerätes mit lauwarmem Wasser, wischen Sie die Flächen danach trocken.
- ℹ Zur Reinigung des Innenraums verwenden Sie ein feuchtes Tuch, das Sie in eine Lösung aus 1 Teelöffel Natron und einem halben Liter Wasser getaucht und ausgewrungen haben. Nach dem Reinigen wischen Sie den Innenraum trocken.
- ⚠ Achten Sie darauf, dass kein Wasser in das Lampengehäuse oder andere elektrische Komponenten eindringt.
- ⚠ Wenn Ihr Kühlgerät längere Zeit nicht benutzt wird, ziehen Sie den Netzstecker, nehmen alle Lebensmittel heraus, reinigen das Gerät und lassen die Türe geöffnet.
- ℹ Kontrollieren Sie die Türdichtungen regelmäßig, um sicherzustellen, dass diese sauber und frei von Speiseresten sind.
- ⚠ Zum Entfernen einer Türablage räumen Sie sämtliche Gegenständen aus der Ablage und schieben diese dann nach oben heraus.

Schutz der Kunststoffflächen

- ℹ Geben Sie keine Öle oder stark fetthaltige Speisen offen in Ihren Kühlschrank – dadurch können die Kunststoffflächen angegriffen werden. Sollten die Kunststoffoberflächen einmal mit Öl in Berührung kommen, so reinigen Sie die entsprechenden Stellen umgehend mit warmem Wasser.

7 Empfehlungen zur Problemlösung

Bitte arbeiten Sie diese Liste durch, bevor Sie den Kundendienst anrufen. Das kann Ihnen Zeit und Geld sparen. In der Liste finden Sie häufiger auftretende Probleme, die nicht auf Verarbeitungs- oder Materialfehler zurückzuführen sind. Nicht alle hier beschriebenen Funktionen sind bei jedem Modell verfügbar.

Der Kühlschrank arbeitet nicht.
<ul style="list-style-type: none">• Ist der Kühlschrank richtig angeschlossen? Stecken Sie den Netzstecker in die Steckdose.• Ist die entsprechende Haussicherung herausgesprungen oder durchgebrannt? Überprüfen Sie die Sicherung.
Kondensation an den Seitenwänden des Kühlbereiches. (Multizone, Kühlkontrolle und FlexiZone)
<ul style="list-style-type: none">• Sehr geringe Umgebungstemperaturen. Häufiges Öffnen und Schließen der Tür. Sehr feuchte Umgebung. Offene Lagerung von feuchten Lebensmitteln. Tür nicht richtig geschlossen. Kühlere Thermostateinstellung wählen.• Türen kürzer geöffnet halten oder seltener öffnen.• Offene Behälter abdecken oder mit einem geeigneten Material einwickeln.• Kondensation mit einem trockenen Tuch entfernen und überprüfen, ob diese erneut auftritt.
Der Kompressor läuft nicht
<ul style="list-style-type: none">• Eine Schutzschaltung stoppt den Kompressor bei kurzzeitigen Unterbrechungen der Stromversorgung und wenn das Gerät zu oft und schnell ein- und ausgeschaltet wird, da der Druck des Kühlmittels eine Weile lang ausgeglichen werden muss. Ihr Kühlschrank beginnt nach etwa sechs Minuten wieder zu arbeiten. Bitte wenden Sie sich an den Kundendienst, falls Ihr Kühlschrank nach Ablauf dieser Zeit nicht wieder zu arbeiten beginnt.• Der Kühlschrank taut ab. Dies ist bei einem vollautomatisch abtauenden Kühlschrank völlig normal. Das Gerät taut von Zeit zu Zeit ab.• Der Netzstecker ist nicht eingesteckt. Überprüfen Sie, ob das Gerät richtig angeschlossen ist.• Stimmen die Temperatureinstellungen?• Eventuell ist der Strom ausgefallen.

Der Kühlschrank arbeitet sehr intensiv oder über eine sehr lange Zeit.

- Ihr neues Gerät ist vielleicht etwas breiter als sein Vorgänger. Dies ist völlig normal. Große Kühlgeräte arbeiten oft längere Zeit.
- Die Umgebungstemperatur ist eventuell sehr hoch. Dies ist völlig normal.
- Das Kühlgerät wurde möglicherweise erst vor kurzem in Betrieb genommen oder mit Lebensmitteln gefüllt. Es kann einige Stunden länger dauern, bis der Kühlschrank seine Arbeitstemperatur erreicht hat.
- Kurz zuvor wurden größere Mengen warmer Speisen im Kühlschrank eingelagert. Heiße Speisen führen dazu, dass der Kühlschrank etwas länger arbeiten muss, bis die geeignete Temperatur zur sicheren Lagerung erreicht ist.
- Türen wurden häufig geöffnet oder längere Zeit nicht richtig geschlossen. Der Kühlschrank muss länger arbeiten, weil warme Luft in den Innenraum eingedrungen ist. Öffnen Sie die Türen möglichst selten.
- Die Tür des Kühl- oder Tiefkühlbereichs war nur angelehnt. Vergewissern Sie sich, dass die Türen richtig geschlossen wurden.
- Die Kühlschranktemperatur ist sehr niedrig eingestellt. Stellen Sie die Kühlschranktemperatur höher ein und warten Sie, bis die gewünschte Temperatur erreicht ist.
- Die Türdichtungen von Kühl- oder Gefrierbereich sind verschmutzt, verschlissen, beschädigt oder sitzen nicht richtig. Reinigen oder ersetzen Sie die Dichtung. Beschädigte oder defekte Dichtungen führen dazu, dass der Kühlschrank länger arbeiten muss, um die Temperatur halten zu können.

Die Temperatur im Tiefkühlbereich ist sehr niedrig, während die Temperatur im Kühlbereich normal ist.

- Die Tiefkühltemperatur ist sehr niedrig eingestellt. Stellen Sie die Gefrierfachtemperatur wärmer ein und prüfen Sie.

Die Temperatur im Kühlbereich ist sehr niedrig, während die Temperatur im Tiefkühlbereich normal ist.

- Die Kühltemperatur ist eventuell sehr niedrig eingestellt. Stellen Sie die Kühlbereichtemperatur wärmer ein und prüfen Sie.

Im Kühlbereich gelagerte Lebensmittel frieren ein.

- Die Kühltemperatur ist eventuell sehr niedrig eingestellt. Stellen Sie die Kühlbereichtemperatur wärmer ein und prüfen Sie.

Die Temperatur im Kühl- oder Tiefkühlbereich ist sehr hoch.

- Die Temperatur des Kühlbereichs ist eventuell sehr hoch eingestellt. Die Einstellung des Kühlbereichs beeinflusst die Temperatur im Tiefkühlbereich. Stellen Sie den Kühl- oder Tiefkühlbereich auf die gewünschte Temperatur ein.
- Türen wurden häufig geöffnet oder längere Zeit nicht richtig geschlossen; weniger häufig öffnen.
- Die Tür wurde eventuell nicht richtig geschlossen; Tür richtig schließen.
- Kurz zuvor wurden größere Mengen warmer Speisen im Kühlschrank eingelagert. Warten Sie, bis der Kühl- oder Tiefkühlbereich die gewünschte Temperatur erreicht.
- Der Kühlschrank war kurz zuvor von der Stromversorgung getrennt. Ihr Kühlschrank braucht einige Zeit, um sich auf die gewünschte Temperatur abzukühlen.

Das Betriebsgeräusch nimmt zu, wenn der Kühlschrank arbeitet.
<ul style="list-style-type: none"> • Das Leistungsverhalten des Kühlgerätes kann sich je nach Umgebungstemperatur ändern. Dies ist völlig normal und keine Fehlfunktion.
Vibrationen oder Betriebsgeräusche.
<ul style="list-style-type: none"> • Der Boden ist nicht eben oder nicht fest. Der Kühlschrank wackelt, wenn er etwas bewegt wird. Achten Sie darauf, dass der Boden eben ist und das Gewicht des Kühlschranks problemlos tragen kann. • Das Geräusch kann durch auf dem Kühlschrank abgestellte Gegenstände entstehen. Nehmen Sie abgestellte Gegenstände vom Kühlschrank herunter.
Fließ- oder Spritzgeräusche sind zu hören.
<ul style="list-style-type: none"> • Aus technischen Gründen bewegen sich Flüssigkeiten und Gase innerhalb des Gerätes. Dies ist völlig normal und keine Fehlfunktion.
Windähnliche Geräusche sind zu hören.
<ul style="list-style-type: none"> • Zum gleichmäßigen Kühlen werden Ventilatoren eingesetzt. Dies ist völlig normal und keine Fehlfunktion.
Kondensation an den Kühlschrankinnenflächen.
<ul style="list-style-type: none"> • Bei heißen und feuchten Wetterlagen tritt verstärkt Eisbildung und Kondensation auf. Dies ist völlig normal und keine Fehlfunktion. • Die Türen wurden eventuell nicht richtig geschlossen; Türen komplett schließen. • Türen wurden häufig geöffnet oder längere Zeit nicht richtig geschlossen; weniger häufig öffnen.
Feuchtigkeit sammelt sich an der Außenseite des Kühlschranks oder an den Türen.
<ul style="list-style-type: none"> • Eventuell herrscht hohe Luftfeuchtigkeit; dies ist je nach Wetterlage völlig normal. Die Kondensation verschwindet, sobald die Feuchtigkeit abnimmt.
Unangenehmer Geruch im Kühlschrankinnenraum.
<ul style="list-style-type: none"> • Das Innere des Kühlschranks muss gereinigt werden. Reinigen Sie das Innere des Kühlschranks mit einem Schwamm, den Sie mit lauwarmem oder kohlen säurehaltigem Wasser angefeuchtet haben. • Bestimmte Behälter oder Verpackungsmaterialien verursachen den Geruch. Verwenden Sie andere Behälter oder Verpackungsmaterial einer anderen Marke.
Die Tür wurde nicht richtig geschlossen.
<ul style="list-style-type: none"> • Lebensmittelpackungen verhindern eventuell das Schließen der Tür. Entfernen Sie die Verpackungen, welche die Tür blockieren. • Der Kühlschrank steht nicht mit sämtlichen Füßen fest auf dem Boden und schaukelt bei kleinen Bewegungen. Stellen Sie die Höheneinstellschrauben ein. • Der Boden ist nicht eben oder nicht stabil genug. Achten Sie darauf, dass der Boden eben ist und das Gewicht des Kühlschranks problemlos tragen kann.
Das Gemüsefach klemmt.
<ul style="list-style-type: none"> • Die Lebensmittel berühren eventuell den oberen Teil der Schublade. Ordnen Sie die Lebensmittel in der Schublade anders an.

קרא מדריך זה, תחילה!

לקוח יקר,

אנו מקווים שמוצר זה, שיוצר במפעלים מודרניים ונבדק במסגרת נוהלי בקרת האיכות המחמירים ביותר, ישמש אותך ביעילות. לשם כך, מומלץ לקרוא בעיון רב את כל המדריך של המוצר לפני שתשתמש בו ולשמור אותו בהישג יד לעת הצורך.

מדריך זה

- יעזור לך להשתמש במכשיר באופן מהיר ובטוח.
- קרא את המדריך לפני התקנת המוצר והפעלתו.
- פעל בהתאם להוראות, במיוחד להוראות הבטיחות.
- החזק את המדריך במקום נגיש, ייתכן שתזדקק לו מאוחר יותר.
- יתרה מכך, קרא גם את המסמכים האחרים המצורפים למוצר.
- שים לב, מדריך זה עשוי להיות תקף גם לגבי דגמים אחרים.

הסמלים ותיאוריהם

מדריך הוראות זה מכיל את הסמלים הבאים:

- ① מידע חשוב או עצות שימוש יעילות.
- ⚠ אזהרה מפני מצבים המהווים סכנת חיים או סכנה לרכוש.
- ⚠ אזהרה מפני מתח חשמלי.

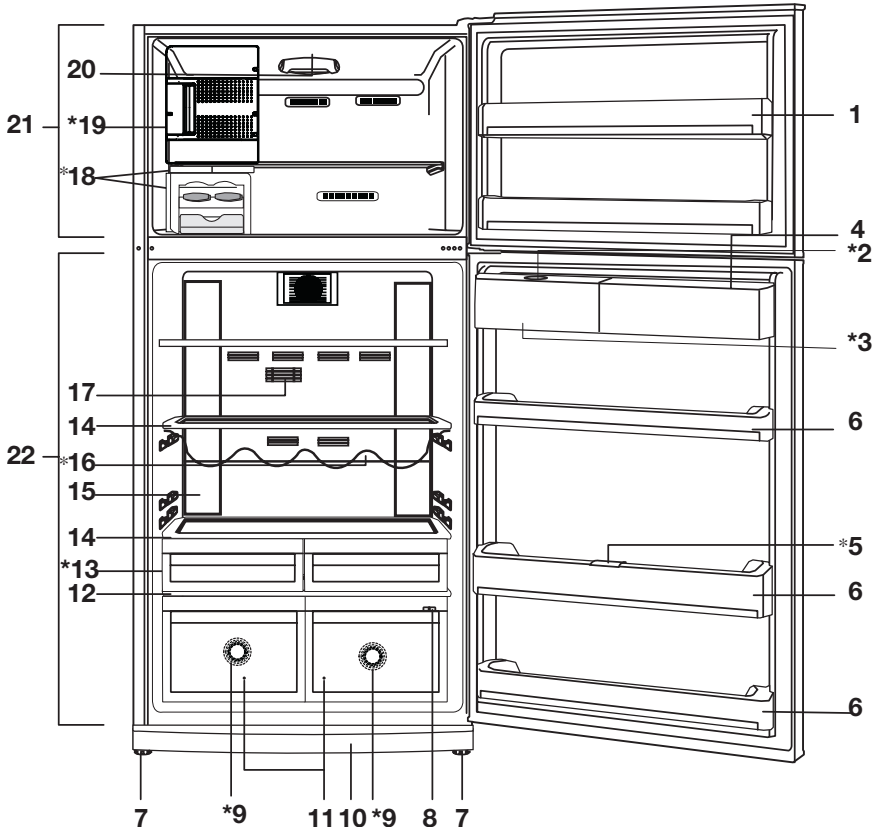
מיחזור

על מוצר זה מתנוסס סמל המיון הסלקטיבי לפסולת מכשירים חשמליים ואלקטרוניים (WEEE). כלומר, יש לטפל במוצר זה בהתאם להנחיה האירופית EC/2002/96, אשר לפיה יש למחזר או לפנות את המוצר, כך שהשפעתו על איכות הסביבה תהיה מזערית. לקבלת פרטים נוספים, פנה לרשויות המקומיות או האזוריות הקרובות לאזור מגוריך.



מוצרי חשמל שאינם כלולים בתהליך המיון הסלקטיבי מהווים סכנה לאיכות הסביבה ולבריאות האדם, והאיל והם מכילים חומרים מסוכנים.

11	4 הכנה	3	1 המקרר
12	5 אופן השימוש במקרר	4	2 אזהרות בטיחות חשובות
12.....	לוח מחוונים.....	4.....	השימוש המיועד.....
51.....	מצב שבת:.....	6.....	למוצרים בעלי מתקן מים:.....
16.....	בקרת לחות במגירת הירקות.....	6.....	בטיחות ילדים.....
16.....	מגש ביצים.....	6.....	אזהרה מפני חומצת HCA.....
16.....	הזזת מדפי גוף המקרר.....	7.....	פעולות לחיסכון באנרגיה.....
17.....	מערכת קירור כפולה:.....	7.....	המלצות לתא המזון הטרי.....
17.....	הקפאת מזון טרי.....		
17.....	המלצה לשימור מזון קפוא.....	8	3 התקנה
18.....	הנחת המזון.....		נקודות שיש לקחת בחשבון לפני הובלת
18.....	פרטים על הקפאה עמוקה.....	8.....	המקרר מחדש.....
19.....	אור כחול.....	8.....	לפני הפעלת המקרר.....
19.....	תא קירור באפס מעלות.....	9.....	השלכת האריזה לאשפה.....
19.....	תיאור מסנן הריחות וניקוי:.....	9.....	השלכת המקרר הישן לאשפה.....
20.....	מתקן קוביות קרח ומכל לאחסון קרח.....	9.....	הצבה והתקנה.....
21.....	מתקן המים.....	10.....	כוונון הרגליות.....
		10.....	אזהרת פתיחת דלת.....
		10.....	התקנה.....
23	6 תחזוקה וניקוי		
23.....	הגנה על משטחי פלסטיק.....		
24	7 פתרונות מומלצים לבעיות		



- | | | | | | | | |
|---|----|----|----|----|---|---|--|
| 7 | *9 | 11 | 10 | *9 | 8 | 7 | 1 - מדפי דלת תא ההקפאה |
| | | | | | | | 2 - מכסה מילוי המכל של מתקן המים |
| | | | | | | | 3 - מכל מתקן המים |
| | | | | | | | 4 - מתקן לאחסון ביצים |
| | | | | | | | 5 - מתקן לאחסון בקבוקים |
| | | | | | | | 6 - מדפי דלת תא הקירור |
| | | | | | | | 7 - רגליות קדמיות מתכווננות |
| | | | | | | | 8 - מחוון כוונן מגירת ירקות או תא קירור |
| | | | | | | | 9 - באפס מעלות |
| | | | | | | | 10 - אור כחול |
| | | | | | | | 11 - מגירות לירקות |
| | | | | | | | 12 - מכסה מגירת הירקות |
| | | | | | | | 13 - תא קירור באפס מעלות |
| | | | | | | | 14 - מדפי הזכוכית של תא הקירור |
| | | | | | | | 15 - הנורה הפנימית של תא הקירור |
| | | | | | | | 16 - מדף יינות |
| | | | | | | | 17 - מסנן ריחות (פחם) |
| | | | | | | | 18 - מתקן קוביות הקרח או מגש לקוביות קרח |
| | | | | | | | 19 - תא מכת קור |
| | | | | | | | 20 - הנורה הפנימית של תא ההקפאה |
| | | | | | | | 21 - תא ההקפאה |
| | | | | | | | 22 - תא הקירור |

*אופציונלי

① האיורים המופיעים במדריך הוראות זה הם איורים כלליים וייתכן שלא יתאימו בדיוק למוצר שברשותך. אם החלקים המוצגים במדריך אינם כלולים במוצר שרכשת, הם בוודאי תקפים לדגמים אחרים.

- עיין במידע הבא. אי ציות למידע זה עלול לגרום לפציעות או לנזק גופני. אם לא תפעל בהתאם להוראות, ההתחייבות לאחריות ולאמינות לא תהיה תקפה.
 - אורך חיי השימוש של היחידה שרכשת הוא 10 שנים. זהו פרק הזמן הנדרש לפעולת חלקי החילוף של היחידה כמתואר.
- השימוש המיועד**
- מוצר זה נועד לשימוש ביתי ובאזורים סגורים, כמו בתים – בסביבות עבודה סגורות כמו חנויות ומשרדים;
 - באזורי מגורים סגורים כמו בתים כפריים, בתי מלון, בתי הארחה.
 - אין להשתמש במוצר זה מחוץ לבית.
- בטיחות כללית**
- אם ברצונך להיפטר מהמוצר או להשליך אותו לפסולת, מומלץ להיוועץ בנציג שירות מורשה כדי לדעת איזה מידע דרוש ומיהם הגורמים המורשים.
 - היוועץ בנציג השירות המורשה לגבי כל השאלות והבעיות הקשורות למקרר. אין לבצע או לאפשר למישהו אחר לבצע פעולת התערבות במקרר מבלי להודיע לנציג שירות מורשה.
 - למוצרים עם תא הקפאה: אין לאכול גלידה וקוביות קרח מייד לאחר הוצאתם מתא הקפאה! (עלולות להיווצר בפיוך כוויות).
- למוצרים עם תא הקפאה: אין להכניס לתא ההקפאה בקבוקי משקה או פחיות משקה. הם עלולים להתפוצץ.
 - אין לגעת בידך במזון קפוא; הוא עלול להידבק אליהן.
 - נתק את המקרר מהחשמל לפני הניקוי או ההפשרה.
 - אין להשתמש באדים או בחומרי ניקוי עם אדים בתהליכי הניקוי וההפשרה של המקרר. האדים עלולים לבוא במגע עם החלקים החשמליים ולגרום לקצר או להתחשמלות.
 - אין להשתמש בחלקים שונים של המקרר, כמו הדלת, כאמצעי תמיכה או כמדרגה.
 - אין להשתמש במכשירים חשמליים בתוך המקרר.
 - אין לגרום מזק לחלקים באמצעות מכשירי קידוח או חיתוך בעת זרימת חומרי הקירור. חומר הקירור, שעלול לדלוף כאשר נוצר נקר בצנורות הגז של המאייד, במארך הצינור או במשטחי הציפוי, גורם לגירוי בעור ולפגיעה בעיניים.
 - אין לכסות או לחסום בחומר כלשהו את פתחי האוורור שבמקרר.
 - מכשירים חשמליים יתקנו אך ורק על ידי אנשי מקצוע מורשים. תיקונים המתבצעים על ידי אנשים בלתי מוסמכים מעמידים את המשתמש בסכנה.
 - במקרה של תקלה בחשמל או במהלך פעולות תחזוקה או תיקונים, נתק את המקרר מהחשמל על ידי כיבוי הנתוך המתאים או על ידי הוצאת כבל המקרר משקע החשמל.

- בעת הוצאת התקע מהשקע אין למשוך אותו מהכבל.
- הנח את המשקאות צמודים זה לזה בצורה אנכית ודאג לרמת אטימות גבוהה יותר.
- אין להחזיק במקרר תרסיסים המכילים חומרים דליקים וחומרי נפץ.
- אין להשתמש בהתקנים מכניים או באמצעים אחרים שאינם מומלצים על ידי היצרן להאצת תהליך ההפשרה.
- מוצר זה לא נועד לשימוש על ידי אנשים (כולל ילדים) בעלי לקויות פיזיות, חישתיות או שכליות או חסרי ידע או ניסיון, אלא אם כן ישגיח עליהם אדם האחראי לבטיחותם ויורה להם בהתאם כיצד להשתמש במוצר.
- אין להפעיל מקרר פגום. אם יש לך דאגות כלשהן, היוועץ בנציג השירות.
- בטיחות החשמל במקרר שברשותך תהיה מובטחת רק אם מערכת ההארקה בביתך תעמוד בתקנים הדרושים.
- חשיפת המוצר לגשם, שלג, שמש ורוח מסוכנת בכל הנוגע לבטיחות בחשמל.
- אם כבל החשמל ניזוק, פנה לנציג שירות מורשה כדי למנוע סכנה.
- אין לחבר את המקרר לשקע החשמל במהלך ההתקנה. בפעולה זו קיימת סכנת חיים והיא עלולה לגרום לפציעה קשה.
- מקרר זה נועד אך ורק לאחסון פרטי מזון. אין להשתמש בו לכל מטרה אחרת.
- תווית המפרטים הטכניים נמצאת בדופן השמאלית שבתוך המקרר.
- אין לחבר את המקרר למערכות לחיסכון בחשמל; הן עלולות לגרום נזק למקרר. אם מותקנת במקרר נורה כחולה, אין להביט בה באמצעות מכשירים אופטיים.
- למקררים בשליטה ידנית, המתן לפחות 5 דקות לאחר תקלה בחשמל לפני שתפעיל את המקרר.
- יש למסור מדרך הפעלה זה לבעלים החדש של המוצר בעת העברת המוצר למישהו אחר.
- יש למנוע נזק לכבל החשמל בעת הובלת המקרר. כיפוף הכבל עלול לגרום לשריפה. אין להניח חפצים כבדים על כבל החשמל. אין לגעת בתקע בידיים רטובות בעת ניתוק המכשיר מהחשמל.
- אין לחבר את המקרר לחשמל אם שקע החשמל רופף.
- אין להתיז מים ישירות על החלקים החיצוניים או הפנימיים של המוצר מסיבות בטיחותיות.
- אין להתיז ליד המקרר חומרים המכילים גזים דליקים כמו גז פורפאן כדי למנוע סכנת שריפה והתפוצצות.
- אין להניח מכלים מלאים במים מעל המקרר, אלה עלולים לגרום להתחשמלות או שריפה.
- אין להעמיס את המקרר במזון יתר על המידה. אם מעמיסים את המקרר יתר על המידה, פריטי המזון עלולים ליפול ולפגוע בך ולגרום נזק למקרר בעת פתיחת הדלת. אין להניח חפצים מעל המקרר; הם עלולים ליפול בעת פתיחתה או סגירתה של דלת המקרר.

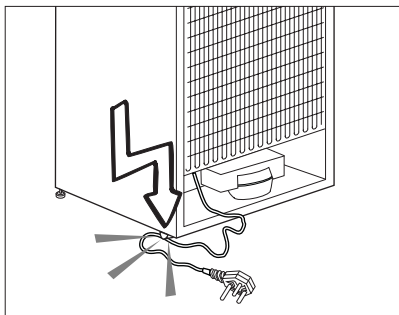
אזהרה מפני חומצת HCA אם מערכת הקירור של המוצר מכילה :R600a

גזים אלה דליקים. לכן הקפד שלא לגרום נזק למערכת הקירור ולצנרת הקירור במהלך השימוש וההובלה. במקרה של גרימת נזק, יש להרחיק את המוצר ממקורות אש פוטנציאליים, שעלולים להביא להתלקחותו. כמו כן, יש לאוורר את החדר שבו מוצב המקרר.

התעלם מאזהרה זו אם מערכת הקירור של המוצר מכילה R134a.

סוג הגז המשמש במוצר מצוין בלוח הנתונים הנמצא בדופן השמאלית הפנימית של המקרר.

אין להשליך את המוצר לאש בוערת כאמצעי לסילוקו לאשפה.



- אין להחזיק במקרר תרכיבי חיסון, תרופות רגישות לחום, חומרים מדעיים, וכו', אשר נדרשת להם טמפרטורה מדויקת.
- יש לנתק את המקרר מהחשמל אם אין כוונה להשתמש בו לאורך זמן. בעיה אפשרית היא שהכבל עלול לגרום לשריפה.
- יש לנקות את קצה התקע באופן סדיר, שכן הוא עלול לגרום לשריפה.
- המקרר עלול לזוז אם הרגליות המתכווננות אינן ננעלות כנדרש כשהוא עומד על הרצפה. נעילת הרגליות כנדרש על הרצפה עשויה למנוע את תזוזת המקרר.
- בעת נשיאת המקרר, אין לאחוז בו בידיה הדלת. שכן היא עלולה להיתלש.
- אם עליך להציב את המקרר ליד מקרר או מקפיא אחר, יש להקפיד על מרחק מזערי של 8 ס"מ בין שני המכשירים. אם מרחק זה לא יישמר, עלולה להצטבר לחות על הדפנות החיצוניות הסמוכות.

למוצרים בעלי מתקן מים:

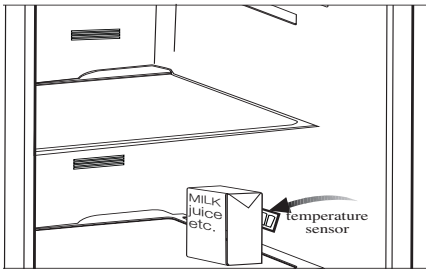
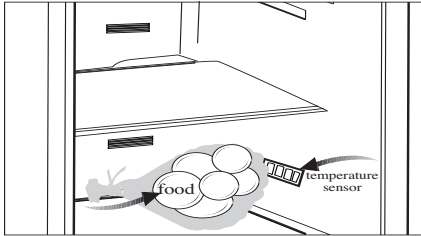
- על לחץ המים בברז להיות לפחות בר אחד.
- לחץ המים המרבי בברז יהיה 8 ברם.
- השתמש אך ורק במים ראויים לשתיה.

בטיחות ילדים

- אם יש מנעול על הדלת, יש להרחיק את המפתח מהישג ידם של ילדים.
- יש להשגיח על ילדים כדי למנוע מהם לטפל במוצר.

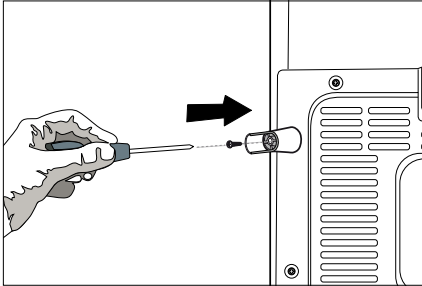
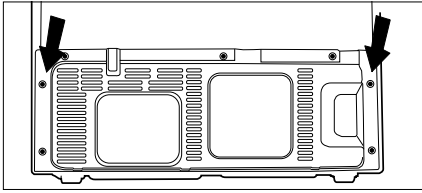
המלצות לתא המזון הטרי

- אין לאפשר למצרכי מזון לבוא במגע עם חיישן הטמפרטורה בתא המזון הטרי. כדי לשמור על טמפרטורת אחסון אידיאלית בתא המזון הטרי, אין לחסום את החיישן במצרכי מזון.
- אין להכניס למקרר מזון חם.



פעולות לחיסכון באנרגיה

- אין להשאיר את דלתות המקרר פתוחות לזמן ממושך.
- אין להכניס למקרר מזון או משקאות חמים.
- אין להעמיס את המקרר יתר על המידה כדי לא להפריע בזרימת האוויר בתוכו.
- אין להציב את המקרר כשהוא חשוף לשמש ישירה או בקרבת מכשירים הפולטים חום, כמו תנורים, מדיחי כלים או רדיאטורים.
- הקפד לאחסן את המזון במיכלים סגורים. למוצרים בעלי תא הקפאה: תוכל לאחסן את כמות המזון המרבית במקפיא לאחר הסרת המדף או המגירה של המקפיא. ערך צריכת האנרגיה עבור המקרר שלך נקבע לאחר הסרת המדף או המגירה של המקפיא ובעומס מרבי. אין בעיה להשתמש במדף או במגירה בהתאם לצורה ולגודל של המזון שיש להקפיא.
- הפשרת מזון קפוא בתא הקירור גם תגרום לחיסכון באנרגיה וגם תשמר את איכות המזון.



⚠ זכור שהיצרן לא יישא באחריות כלשהי אם לא תציית להוראות המופיעות במדריך זה.

נקודות שיש לקחת בחשבון לפני הובלת המקרר מחדש

1. יש לרוקן ולנקות את המקרר לפני ההובלה.
2. לפני האריזה, יש להדק למקומם במקרר את המדפים, האבזרים הנלווים, מגירת הירקות וכו' באמצעות סרט הדבקה למניעת טלטולים מיותרים.
3. יש להדק את האריזה באמצעות סרטים עבים וחבלים חזקים ולציית לכללי ההובלה המודפסים על האריזה.

אל תשכח ש...

כל חומר ממוחזר הוא מקור הנחוץ לטבע ולמשאבים הלאומיים.

אם ברצונך לתרום למיחזור חומרי האריזה, תוכל לקבל מידע נוסף מגורמי איכות הסביבה או מהרשות המקומית.

לפני הפעלת המקרר

לפני שתתחיל להשתמש במקרר, בדוק את הנקודות הבאות:

1. האם פנים המקרר יבש והאוויר יכול לנוע בחופשיות בחלקו האחורי?
2. תוכל להתקין את 2 טריזי פלסטיק כפי שמודגם באיור. טריזי פלסטיק יספקו את המרחק הדרוש בין המקרר לבין הקיר כדי לאפשר זרימת אוויר (האיור מהווה דוגמה בלבד ואינו מתאים בדיוק למוצר שברשותך).

3. נקה את פנים המקרר לפי ההמלצות

המופיעות בפרק "תחזוקה וניקוי".

4. חבר את המקרר אל שקע החשמל. כאשר

דלת המקרר נפתחת, נדלקת הנורה

הפנימית של תא הקירור.

5. נשמע רעש כשהמדחס מתחיל לפעול.

הנוזלים והגזים האטומים במערכת הקירור

עשויים גם הם להשמיע רעש גם אם

המדחס אינו פועל; זוהי תופעה רגילה.

6. ייתכן שהקצוות הקדמיים של המקרר יהיו

חמים למגע. זוהי תופעה רגילה. אזורים

אלה נועדו להיות חמים כדי למנוע התעבות.

חיבור לחשמל

חבר את המוצר לשקע מוארק המוגן על ידי

נתיך בעל קיבולת הולמת.

חשוב:

הצבה והתקנה

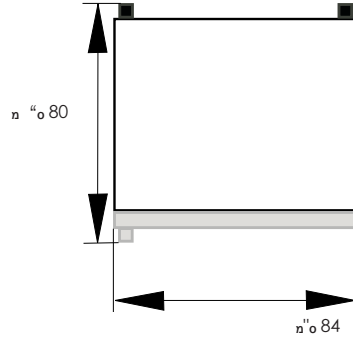
1. הצב את המקרר במקום נוח לשימוש.
2. הרחק את המקרר ממקורות חום, מקומות חמים ומקומות החשופים לשמש ישירה.
3. חייבת להיות זרימת אוויר מספקת סביב המקרר כדי שהמקרר יפעל ביעילות. אם המקרר אינו מוצב בגומחה בקיר, יש לשמור על מרחק של 5 ס"מ לפחות מהתקרה ו-5 ס"מ לפחות מהקיר. אם על הרצפה פרוס שטיח, על המקרר להיות מוגבה מהרצפה ב-2.5 ס"מ.
4. הצב את המקרר על משטח רצפה מאוזן כדי למנוע זעזועים.
5. אין להציב את המקרר בחדר שבו הטמפרטורה נמוכה מ-10 מעלות צלזיוס.

- על החיבור להתבצע בהתאם לתקנות הארציות.
 - על תקע כבל החשמל להיות נגיש בקלות לאחר ההתקנה.
 - על המתח המצוין להיות שווה למתח החשמל.
 - אין להשתמש בכבלים מאריכים וברבי שקעים לשם חיבור.
 - ⚠ כבל חשמל פגום יוחלף על ידי חשמלאי מוסמך.
 - ⚠ אין להשתמש במכשיר לפני שיתוקן! קיימת סכנת התחשמלות!
- ### השלכת האריזה לאשפה
- חומרי האריזה עלולים להיות מסוכנים לילדים. שמור את חומרי האריזה הרחק מהיישג ידם של ילדים או השלך אותם על ידי סיווגם בהתאם להוראות בדבר פסולת. אין להשליך אותם ביחד עם פסולת ביתית רגילה.
- אריזת המקרר עשויה מחומרים מתחזרים.
- ### השלכת המקרר הישן לאשפה
- השלך את המקרר הישן שלך מבלי לגרום נזק כלשהו לסביבה.
- תוכל להיוועץ בסוכן המורשה שלך או לפנות למרכז לאיסוף אשפה בעירייה לגבי השלכת המקרר שלך לאשפה.
- לפני השלכת המקרר לאשפה, הוצא את התקע משקע החשמל; אם קיימות נעילות כלשהן בדלת, נטרל אותן כדי להגן על ילדים מפני סכנה כלשהי.

כוונון הרגליות

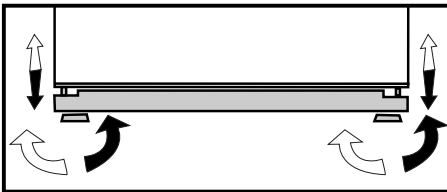
אם המקרר אינו מיוצב;

ניתן לייצב אותו על ידי סיבוב הרגליות הקדמיות שלו כפי שמודגם באיור שלהלן. הפינה שבה נמצאת הרגלית מונמכת כאשר מסובבים אותה בכיוון החץ השחור ומוגבהת כאשר מסובבים אותה בכיוון ההפוך. לשם כך, בקש ממישהו שיעזור לך להרים מעט את המקרר.



מידות שטח השימוש

באיור הבא מוצג המקום הדרוש לשימוש יעיל במקרר.
 מ"מ 143.5
 מ"מ 134

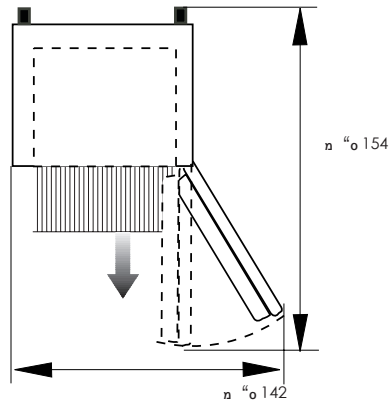


אזהרת פתיחת דלת

אזהרת שמע תישמע אם דלת תא הקירור או תא ההקפאה של המקרר נשארה פתוחה לפרק זמן מסוים. אות אזהרת השמע ישתתק בעת לחיצה על מחוון כלשהו או לאחר סגירת הדלת.

התקנה

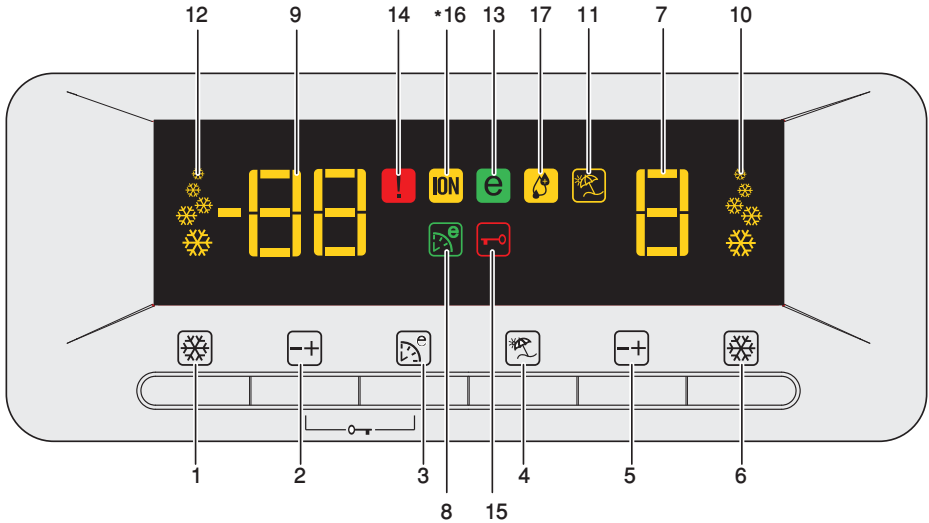
פנה לנציג שירות מוסמך לשם התקנת המוצר. להכנת המוצר לשימוש, ודא שמערכת החשמל תקינה לפני שתקרא לנציג שירות מוסמך. אם היא אינה תקינה, הזמן חשמלאי מוסמך שיבצע את הפעולות הדרושות.



- יש להתקין את המקרר במרחק של לפחות 30 ס"מ ממקור חום, כמו כיריים, תנורים, חימום מרכזי ושל לפחות 5 ס"מ מתנורים חשמליים. כמו כן, אין להציבו כשהוא חשוף לשמש ישירה.
- טמפרטורת החדר שבו יותקן המקרר חייבת להיות לפחות 10 מעלות צלזיוס. לא מומלץ להפעיל את המקרר בטמפרטורה נמוכה יותר, שכן יעילות פעולתו עלולה להיפגע.
- ודא שפנים המקרר נוקה ביסודיות.
- אם מתקינים שני מקררים זה לצד זה, יש להקפיד על מרחק של לפחות 2 ס"מ ביניהם.
- בעת הפעלת המקרר בפעם הראשונה, יש לציית להוראות הבאות במהלך שש השעות הראשונות.
- אין לפתוח את הדלת לעתים קרובות.
- המקרר חייב לפעול ריק ללא כל מזון בתוכו.
- יש לשמור את האריזה המקורית ואת חומר הריפוד לשימוש עתידי במקרה של הובלה או מעבר דירה.
- אין לנתק את המקרר מהחשמל. אם אירעה תקלה בחשמל שאינה בשליטתך, קרא את האזהרות בסעיף "פתרונות מומלצים לבעיות".

לוח מחוונים

לוח מחוונים זה עם לחצני מגע מאפשר לקבוע את הטמפרטורה מבלי לפתוח את דלת המקרר. רק גע באצבע בלחצן הרלוונטי כדי לקבוע את הטמפרטורה.



- | | |
|--|--|
| <p>10. מחוון פונקציית הקירור המהיר</p> <p>11. מחוון פונקציית החופשה</p> <p>12. מחוון פונקציית ההקפאה המהירה</p> <p>13. מחוון מצב חיסכון</p> <p>14. מחוון מצב שגיאה</p> <p>15. מחוון נעילת מקשים</p> <p>16. נורית המחוון המיני</p> <p>17. מחוון הלחות</p> | <p>1. לחצן הקפאה מהירה</p> <p>2. לחצן הגדרת הטמפרטורה בתא ההקפאה</p> <p>3. לחצן חיסכון נוסף</p> <p>4. לחצן חופשה</p> <p>5. לחצן הגדרת הטמפרטורה בתא הקירור</p> <p>6. לחצן קירור מהיר</p> <p>7. מחוון הטמפרטורה בתא הקירור</p> <p>8. מחוון פונקציית החיסכון הנוסף</p> <p>9. מחוון טמפרטורת תא ההקפאה</p> <p>*אופציונלי</p> |
|--|--|

האיוורים המופיעים במדריך הוראות זה הם איוורים כלליים וייתכן שלא יתאימו בדיוק למוצר שברשותך. אם החלקים המוצגים במדריך אינם כלולים במוצר שרכשת, הם בוודאי תקפים לדגמים אחרים.

1 - לחצן הקפאה מהירה

לחץ על לחצן זה במהירות כדי להפעיל את פונקציית ההקפאה המהירה. לחץ על לחצן זה שוב כדי לבטל את הפעלת הפונקציה שנבחרה.

2 - לחצן הגדרת הטמפרטורה בתא ההקפאה

לחץ על לחצן זה כדי להגדיר את טמפרטורת תא ההקפאה ל-18, -20, -22 ו-24, 18-... בהתאמה. לחץ על לחצן זה כדי לקבוע את הטמפרטורה הרצויה בתא ההקפאה.

3 - לחצן חיסכון נוסף

לחץ על לחצן זה במהירות כדי להפעיל את פונקציית החיסכון הנוסף.

4 - לחצן חופשה

לחץ על לחצן זה במהירות כדי להפעיל את פונקציית החופשה. לעצירת תהליך יצירת הקרח, יש ללחוץ על אותו לחצן במשך 3 שניות.

5 - לחצן הגדרת הטמפרטורה בתא הקירור

לחץ על לחצן זה כדי להגדיר את טמפרטורת תא הקירור ל-8, 6, 4 ו-8... בהתאמה.. לחץ על לחצן זה כדי לקבוע את הטמפרטורה הרצויה בתא הקירור.

6 - לחצן קירור מהיר

לחץ על לחצן זה במהירות כדי להפעיל את פונקציית הקירור המהיר. לחץ על לחצן זה שוב כדי לבטל את הפעלת הפונקציה שנבחרה.

7 - מחוון הטמפרטורה בתא הקירור

מציין את הטמפרטורה שנקבעה לתא הקירור.

8 - מחוון פונקציית החיסכון הנוסף

מציין שפונקציית החיסכון הנוסף פעילה. אם פונקציה זו פעילה, המקרר יאתר אוטומטית את פרקי הזמן שבו נעשה שימוש מזערי במקרר ובאותם פרקי זמן יבוצע קירור יעיל בצריכת החשמל. מחוון חיסכון יהיה פעיל בעת ביצוע קירור יעיל בצריכת חשמל.

9 - מחוון טמפרטורת תא ההקפאה

הוא מציין את הטמפרטורה שנקבעה לתא ההקפאה.

10 - מחוון פונקציית הקירור המהיר

מציין שפונקציית הקירור המהיר פעילה. השתמש בפונקציה זו בעת הנחת מזון טרי בתא הקירור או כאשר אתה צריך לקרר את האוכל שלך במהירות. כאשר פונקציה זו פעילה, המקרר יפעל במשך 2 שעות ללא הפסקה.

לחץ על הלחצן הרלוונטי שוב כדי לבטל את הפונקציה הזאת.

11 - מחוון פונקציית החופשה

מציין שפונקציית החופשה פעילה. אם פונקציה זו פעילה, הכיתוב " - " יופיע במחוון תא הקירור ולא יבוצע קירור בתא הקירור. התאים האחרים יקוררו בהתאם לטמפרטורה שנקבעה עבורם.

לחץ על הלחצן הרלוונטי שוב כדי לבטל את הפונקציה הזאת.

12 - מחוון פונקציית ההקפאה המהירה

מציין שפונקציית ההקפאה המהירה פעילה. השתמש בפונקציה זו בעת הנחת מזון טרי בתא ההקפאה או כאשר אתה צריך קרח. כאשר פונקציה זו פעילה, המקרר יפעל במשך 6 שעות ללא הפסקה.

לחץ על הלחצן הרלוונטי שוב כדי לבטל את הפונקציה הזאת.

13 - מחוון מצב חיסכון

מציין שהמקרר פועל במצב של יעילות בצריכת החשמל. מחוון זה יהיה פעיל אם טמפרטורת תא ההקפאה נקבעה ל-18 או שמבוצע קירור יעיל מבחינת צריכת החשמל בזכות פונקציית החיסכון הנוסף.

14 - מחוון מצב שגיאה

אם המקרר אינו מקרר במידה מספקת או קיימת תקלה בחייושן, מחוון זה יופעל. כאשר מחוון זה פעיל, במחוון טמפרטורת תא ההקפאה תוצג האות "E" ובמחוון טמפרטורת תא הקירור יוצגו מספרים כמו "1,2,3...". מספרים אלה במחוון מספקים מידע על השגיאה לאנשי השירות.

15 - מחוון נעילת מקשים

השתמש בפונקציה זו אם אינך רוצה שהגדרת טמפרטורת המקרר תשונה. לחץ בו זמנית על לחצן החיסכון הנוסף ועל לחצן הגדרת הטמפרטורה של תא ההקפאה במשך פרק זמן ממושך (3 שניות) כדי להפעיל תכונה זו. לחץ על הלחצנים הרלוונטיים שוב כדי לבטל את הפונקציה הזאת.

16 - נורית המחוון המיינן

נורית המחוון דלוקה ברציפות. נורית זו מציינת כי המקרר מוגן מפני חיידקים.

17 - מחוון הלחות

נורית המחוון דלוקה ברציפות. נורית זו מציינת כי המזון המוחזק במקרר נשמר במשך פרק זמן ממושך בלחות אידיאלית.

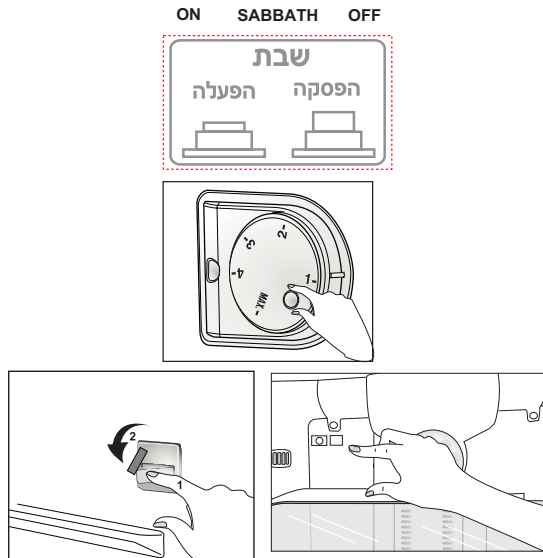
מצב שבת:

כאשר המכשיר מכוון למצב שבת בטמפרטורות סביבה נמוכות, יש לכוון את וסת האוויר של התרמוסטט למצב מינימום (יש יכוון את הווסת למצב 1 ב-10 מעלות צלזיוס). כאשר המכשיר מכוון למצב שבת בטמפרטורות סביבה גבוהות (מעל 35 מעלות צלזיוס), יש לכוון את וסת האוויר של התרמוסטט למצב מקסימום. אם משאירים את המכשיר במצב שבת מעבר לנדרש, המזון עלול להתקלקל בטמפרטורות סביבה גבוהות.

*אופציונלי

מצב זה נועד לשימוש בפרק זמן קצר ומטרתו קירור רצוף תוך שימור מצרכי המזון כולל ירקות. לכן מומלץ מאוד לא להפעיל מצב זה כאשר המכשיר נמצא בשימוש לעתים קרובות או כאשר המכשיר הועמס במזון לא מזמן. להפעלת מצב שבת, לחץ על לחצן שבת. מצב שבת יופעל אוטומטית. אם יש צורך, יש לנעול את כפתור דלת המקרר באמצעות מתג מכני. לביטול הפעלת מצב שבת, לחץ על לחצן שבת והוא ישוחרר. מצב שבת יבוטל אוטומטית. ניתן לבטל את נעילת כפתור דלת המקרר באמצעות המתג המכני.

הערות:

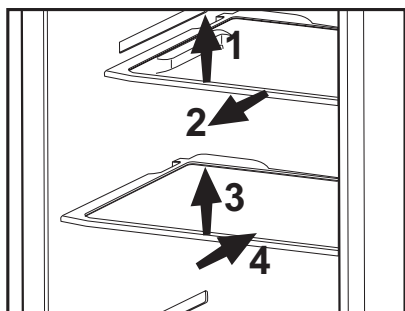


הזזת מדפי גוף המקרר

את מדפי גוף המקרר ניתן למשוך על ידי הרמתם מעט מקדימה ולהזיזם קדימה ואחורה. הם מגיעים לנקודת עצירה כאשר מושכים אותם קדימה כדי לאפשר לך להגיע למזון המונח בחלקו האחורי של המדף; כאשר מושכים את המדף לאחור הרמה קלה בנקודת העצירה השנייה, מדף גוף המקרר ייצא ממקומו.

יש להחזיק את המדף היטב גם מתחתיתו כדי למנוע את התהפכותו. מדף גוף המקרר יוצב על המעקות שבצדי גוף המקרר על ידי הנמכתו או הגבהתו ברמה אחת.

יש לדחוף את מדף גוף המקרר כלפי חלקו האחורי של המקרר כדי שיתקבע במקומו לחלוטין.

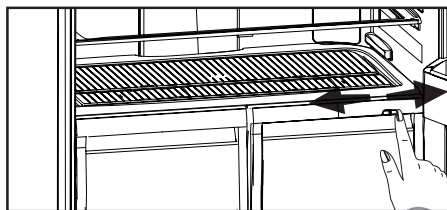


בקרת לחות במגירת הירקות

ניתן לכווון את רמת הלחות על ידי הזזת מחוון כוונן הלחות ימינה או שמאלה.

אם ברצונך לשמר את הלחות בתא זה, סגור את מחוון כוונן הלחות. (ימין)

אם ברצונך לסלק את הלחות מתא זה, פתח את מחוון כוונן הלחות. (שמאל)



מגש ביצים

- ניתן להתקין את המתקן לאחסון ביצים בדלת הרצויה במדף הרצוי בגוף המקרר.
- אין להתקין את המתקן לאחסון ביצים בתא ההקפאה.

מערכת קירור כפולה:

במקרר שתי מערכות קירור נפרדות לקירור תא המזון הטרי ותא ההקפאה. לכן האווירה בתא המזון הטרי אינו מתערבב עם האוויר שבתא ההקפאה. בזכות שתי מערכות הקירור הנפרדות, מהירות הקירור במקרר זה מהירה הרבה יותר מאשר במקררים אחרים. הריחות בתאים השונים אינם מתערבבים. כמו כן, נחסך חשמל, מאחר שההפשרה מתבצעת בנפרד.

הסברים	כוונון תא הקירור	כוונון תא ההקפאה
זוהי ההמלצה המומלצת הרגילה.	4°C	-18°C
הגדרות אלה מומלצות כאשר טמפרטורת החדר עולה על 30 מעלות צלזיוס.	4°C	-20, -22, או -24°C
השתמש בה אם ברצונך להקפא את המזון תוך זמן קצר. המקרר יחזור למצבו הקודם עם תום התהליך.	4°C	הקפאה מהירה
אם נראה לך שתא הקירור אינו קר מספיק עקב תנאי החום או עקב פתיחות וסגירות תכופות של הדלת.	2°C	-18°C מעלות צלזיוס או קר יותר
ניתן להשתמש באפשרות זו כאשר תא הקירור עמוס יתר על המידה או אם ברצונך לקרר מזון במהירות. מומלץ להפעיל את פונקציית הקירור המהיר 4-8 שעות לפני הכנסת המזון למקרר.	קירור מהיר	-18°C מעלות צלזיוס או קר יותר

הקפאת מזון טרי

- יש להעדיף לעטוף או לכסות את המזון לפני הנחתו במקרר.
- יש להמתין להתקררותו של מזון חם לפני אחסונו במקרר.
- המזון שברצונך להקפא חייב להיות טובה ובאיכות טובה.
- יש לחלק את המזון למנות בהתאם לצריכה היומית או הצריכה לארוחה של המשפחה.
- יש לארוז את המזון באריזה אטימה כדי למנוע את התייבשותו, גם אם הוא מאוחסן במקרר לזמן קצר.
- יש להשתמש בחומרי אריזה בלתי קריעים וחסוני קור, לחות, ריחות, שמן וחומצה.
- על חומרי האריזה גם להיות אטימים. כמו כן, עליהם להיות סגורים היטב ועשויים מחומרים נוחים לשימוש ומתאימים להקפאה עמוקה.
- יש להשתמש במזון קפוא מייד לאחר הפשרתו ואין להקפיאו שוב לאחר שהופשר.
- יש לציית להוראות הבאות לקבלת התוצאות הטובות ביותר:

1. אין להקפא כמויות מזון גדולות מדי בבת אחת. איכות המזון נשמרת בצורה הטובה ביותר כאשר הוא קופא במלואו במהירות האפשרית.
 2. הנחת מזון חם בתא ההקפאה תגרום למערכת הקירור לפעול ללא הפסקה עד לקפיאתו המוחלטת של המזון.
 3. הקפד במיוחד שלא לערבב מזון קפוא במזון טרי.
- ### המלצה לשימור מזון קפוא
- יש לאחסן מזון ארוז מראש וקפוא בהתאם להוראות היצרן הכתובות על מזון קפוא לגבי תא אחסון של מזון קפוא (4 כוכבים)
 - ❖ ❖ ❖
 - כדי להבטיח שגם היצרן וגם הקמעונאי של המזון הקפוא ישמרו על איכות גבוהה, יש לזכור את הנקודות הבאות:
1. הנח את החבילות במקפיא מהר ככל האפשר לאחר הקנייה.
 2. ודא שהתכולה מתויגת ורשום עליה תאריך.
 3. אסור שהחבילות יעברו את "תאריך השימוש האחרון" ואת "תאריך התפוגה" הרשומים על החבילה.

הפשרה

תא ההקפאה יפשיר באופן אוטומטי

הנחת המזון

מצרכי מזון שונים קפואים, כמו בשר, דגים, גלידות, ירקות וכו'.	מדפי תא ההקפאה
ביצים	מגש ביצים
מזון בסירים, צלחות מכוסות ומכלים סגורים	מדפי תא הקירור
מזון או משקה ארוזים במנות קטנות (כמו חלב, מיץ פירות וכו')	מדפי דלת תא הקירור
ירקות ופירות	מגירת ירקות
מעדנים (גבינה צהובה, חמאה, קנטיק וכו')	תא מוצרי חלב

פרטים על ההקפאה עמוקה

כדי לשמור על איכותו, יש להקפיא מזון במהירות האפשרית מייד עם הנחתו במקרר. לפי תקן TSE (בהתאם לתנאי מדידה מסוימים), על המקרר להקפיא לפחות 4.5 ק"ג של מצרכי מזון מטמפרטורת סביבה של 32 מעלות צלזיוס ל-18 מעלות צלזיוס או פחות תוך 24 שעות לכל 100 ליטר של נפח תא המקפיא.

אפשר לאחסן את המזון במקפיא לתקופה ממושכת רק אם הטמפרטורה בתא ההקפאה מגיעה ל-18 מעלות צלזיוס או פחות.

ניתן לשמור על טריות המזון למשך חודשים רבים (בטמפרטורה של -18 מעלות צלזיוס או פחות בהקפאה עמוקה).

אזהרה! ⚠

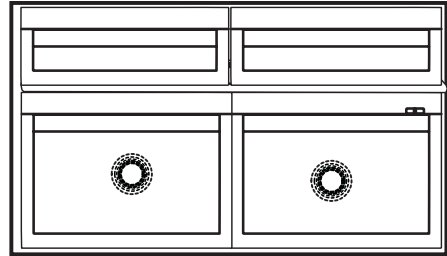
- יש לחלק את המזון למנות בהתאם לצריכה היומית או הצריכה לארוחה של המשפחה.
- יש לארוז את המזון באריזה אטימה כדי למנוע את התייבשותו, גם אם הוא מאוחסן במקרר לזמן קצר.
- חומרי האריזה הנחוצים:
- סרט הדבקה עמיד בפני קור
- מדבקה
- גומיות
- עט

יש להשתמש בחומרי אריזה בלתי קריעים וחסני קור, לחות, ריחות, שמן וחומצה. (אין לאפשר למוצרי מזון המיועדים להקפאה לבוא במגע עם פריטי מזון שכבר הוקפאו קודם לכן, וזאת כדי למנוע הפשרה חלקית. יש להשתמש במזון קפוא מייד לאחר הפשרתו ואין להקפואו שוב לאחר שהופשר.

אור כחול

(אופציונאלי)

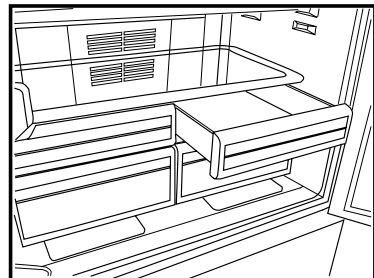
מצרכי מזון המאוחסנים במגירת הירקות המוארת באור כחול ממשיכים את תהליך הפוטוסינתזה שלהם בהשפעת אורך הגל של הצבע הכחול ובאמצעותו הם שומרים על טריות ומגדילים את תכולת הוויטמינים שלהם.



תא קירור באפס מעלות

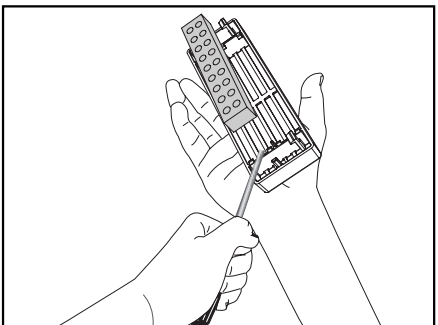
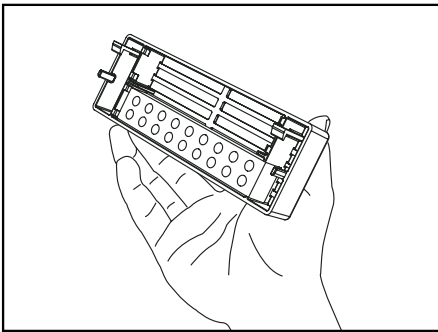
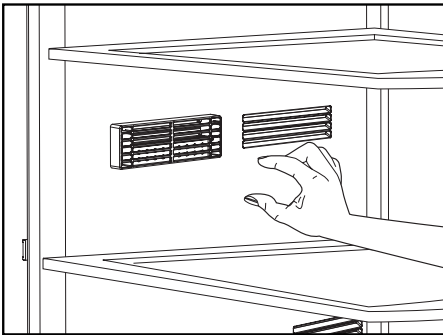
(אופציונאלי)

תאי הקירור באפס מעלות מאפשרים למזון המיועד להקפאה להיות מוכן להקפאה. תוכל גם להשתמש בתאים אלה לאחסון המזון שלך בטמפרטורה של מספר מעלות מתחת לטמפרטורה של תא הקירור. תוכל להגדיל את הנפח הפנימי של המקרר שלך על ידי הסרת תאי הקירור באפס מעלות. לשם כך, משוך את התא לעברך; התא יישען על המגופה ויעצור. תא זה ישוחרר אם תרים אותו לגובה של כס"מ אחד ותמשוך אותו לעברך.



תיאור מסנן הריחות וניקוי:

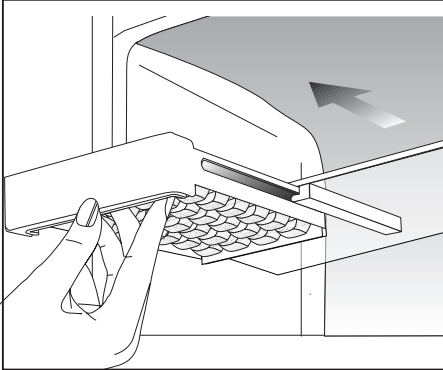
מסנן הריחות מונע הצטברות של ריחות לא נעימים במקרר. משוך כלפי מטה את המכסה שבתוכו מותקן מסנן הריחות והסר אותו, לפי המודגם באיור. השאר את המסנן באור שמש למשך יום אחד. במשך זמן זה יתנקה המסנן. התקן את המסנן חזרה למקומו. יש לנקות את מסנן הריחות פעם בשנה.



הכנת קרח (אופציונאלי)

מלא את מכל הקרח במים והנח אותו במקום המיועד לו. קוביות הקרח יהיו מוכנות תוך כשעתיים.

ניתן להסיר בקלות את הקרח על ידי סיבוב קל של מכל הקרח.



מתקן קוביות קרח ומכל לאחסון קרח

(אופציונאלי)

שימוש במתקן קוביות הקרח

מלא את מתקן קוביות הקרח במים והנח אותו במקום המיועד לו. קוביות הקרח יהיו מוכנות תוך כשעתיים. אין להסיר את מתקן קוביות הקרח ממקומו כדי לקחת קרח. סובב את הידיות שעליו ב-90 מעלות בכיוון השעון.

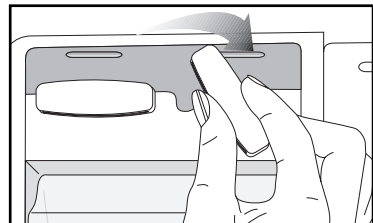
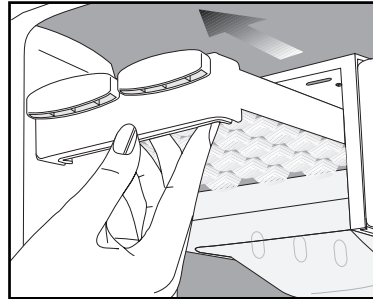
קוביות הקרח מהתאים ייפלו אל המכל לאחסון הקרח שמתחת.

ניתן להוציא את המכל לאחסון הקרח ולהגיש את קוביות הקרח.

ניתן גם להשאיר את קוביות הקרח במכל לאחסון הקרח.

מכל לאחסון קרח

המכל לאחסון קרח נועד אך ורק לצבירת קוביות קרח. אין למלא בו מים. הוא עלול להישבר.



מתקן המים (אופציונאלי)

מתקן המים הוא תכונה שימושית מאוד לאספקת מים קרים מבלי לפתוח את דלת המקרר. מאחר שאינך צריך לפתוח את דלת המקרר לעתים קרובות, אתה גם חוסך חשמל.

שימוש במתקן המים

לחץ על דוושת מתקן המים באמצעות הכוס שבידך. על ידי שחרור הדוושה, אתה מנתק את זרימת המים.

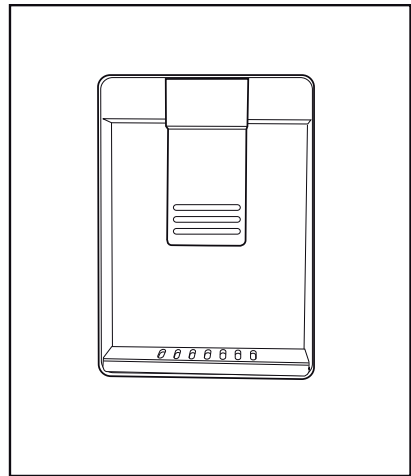
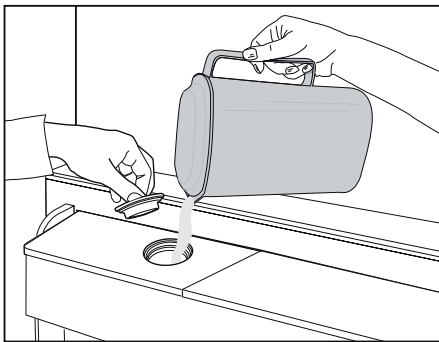
בעת הפעלת המים, מגיעים לזרימה מרבית על ידי דחיפת הדוושה עד הסוף. שים לב, כמות המים הזורמים ממתקן המים תלויה במרחק שעד אליו דוחפים את הדוושה. ככל שעולה מפלס המים בספל / כוס, הרפה בעדינות את הלחץ מהדוושה כדי למנוע גלישת מים. אם אתה לוחץ על הדוושה בלחיצות קטנות, המים יטפטפו; זוהי תופעה רגילה, אין מדובר בתקלה.

מילוי מכל המים שבמתקן המים

פתח את מכסה מכל המים, כפי שמודגם בתרשים. מלא אותו במים טהורים ונקיים. סגור את המכסה.

זהירות!

- אין למלא את מכל המים בשום נזל אחר, למעט מי שתייה, משקאות כמו מיצי פירות; משקאות מוגזים ומשקאות אלכוהול אינם מתאימים לשימוש במתקן המים. אם משתמשים בנוזלים מסוגים אלה, מתקן המים לא יפעל כשורה, וייתכן שייגרם לו נזק בלתי הפיך. האחריות אינה מכסה שימוש מסוג זה. כמה מהחומרים הכימיים והתוספים הקיימים במשקאות אלה עלולים לתקוף את החומר שממנו עשוי מתקן המים ולגרום לו נזק.
- השתמש אך ורק במי שתייה נקיים וטהורים.
- קיבולת המים במכל מתקן המים היא 3 ליטרים [6.4 פיינטים], אין למלא יתר על המידה.
- דחף את דוושת מתקן המים בעזרת ספל קשיח. אם אתה משתמש בכוס פלסטיק חד-פעמית, דחף את הדוושה בעזרת אצבעותיך מאחורי הכוס.



ניקוי מכל המים

הסר את מכל המים ונתק את מנגנון המכסה העליון ממכל המים. נקה את מכל המים במים חמים ונקיים והתקן מחדש את המכסה העליון.

בעת התקנת מכל המים, ודא שהווים מהודקים אל המתלים שעל הדלת. ודא שהחלקים שהוסרו במהלך הניקוי (אם בכלל) יותקנו בצורה נכונה במקומות המקוריים שלהם. אם לא, עלולה להיגרם נזילת מים.

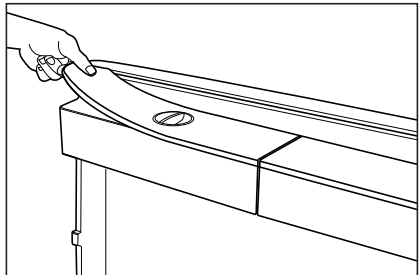
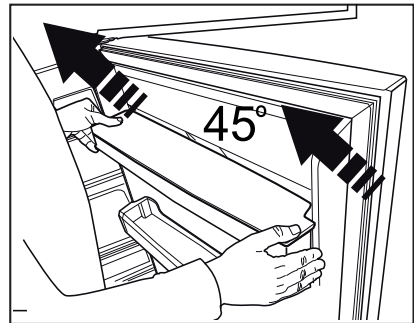
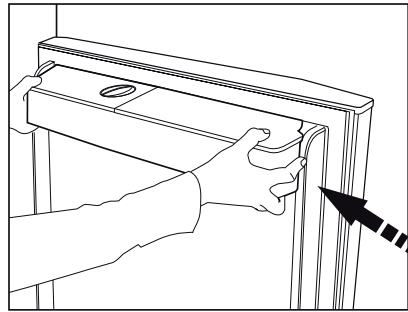
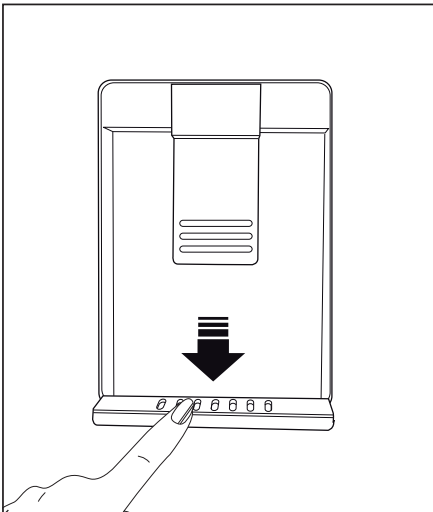
חשוב:

אין להדיח במדיח כלים את מכל המים או את רכיבי מתקן המים.

מגש המים (אופציונאלי)

מים שמטפטים במהלך השימוש במתקן המים מצטברים במגש גלישת המים. הסר את מגש גלישת המים על ידי משיכתו כלפיך ורוקן אותו מדי פעם.

הסר את חלק הניקוז הפלסטי כפי שמודגם בתרשים על ידי לחיצה כלפי מטה על הקצה.



הגנה על משטחי פלסטיק

① אין להניח במקרר שמן נוזלי או ארוחות שבושלו בשמן במיכלים בלתי אטומים, מכיוון שהם עלולים לגרום נזק למשטחי הפלסטיק שבמקרר. אם נשפך או נמרח שמן על משטחי הפלסטיק, נקה ושטוף מייד את החלק המתאים של המשטח במים חמים.

⚠ אין להשתמש בבזזין, בבנזן או בחומרים דומים למטרות ניקוי.

⚠ מומלץ לנתק את המכשיר מהחשמל לפני הניקוי.

① אין להשתמש במכשירים חדים או בחומרי ניקוי הגורמים לשריטות, בסבון, בתכשירי ניקוי לבית, בחומרי ניקוי שונים ובחומרי הברקה עם שעווה.

① השתמש במים פושרים לניקוי החלק החיצוני של המקרר ונגב אותו.

① השתמש במטלית לחה וסחוסה, שנטבלה בתמיסת סודה לשתייה ביחס של כפית אחת של סודה לכחצי ליטר מים, כדי לנקות את החלק הפנימי של המכשיר ולנגבו.

⚠ ודא שלא חודרים מים לתושבת הנורה ולפריטים חשמליים אחרים.

⚠ אם אין כוונה להשתמש במכשיר לתקופה ארוכה, כבה אותו, הסר ממנו את כל המזון, נקה אותו והשאר את הדלת פתוחה במקצת.

① בדוק בקביעות את אטמי הדלת כדי לוודא שהם נקיים ושלא נדבקו אליהם חלקיקי מזון.

⚠ להסרת מגש מהדלת, רוקן את תכולתו ודחוף את מגש הדלת כלפי מעלה מבסיסו.

7 פתרונות מומלצים לבעיות

שנן רשימה זו לפני שתקרא לנציג שירות. היא עשויה לחסוך לך זמן וכסף. רשימה זו כוללת תלונות נפוצות שאינן נובעות מפגמים בייצור המקרר או משימוש לקוי בחומרים. ייתכן שכמה מהתכונות המתוארות כאן לא יהיו קיימות במוצר שלך.

המקרר אינו פועל.
<ul style="list-style-type: none">• האם המקרר מחובר לחשמל כראוי? הכנס את התקע לשקע החשמל.• האם הנת"ך של השקע שאליו מחובר המקרר או הנת"ך הראשי נשרפו? בדוק את הנת"ך.
התעבות בדופן הצדית של תא הקירור (אזור רב-תכליתי, בקרת קור ואזור גמיש).
<ul style="list-style-type: none">• תנאי סביבה קרים מאוד. פתיחות וסגירות תכופות של הדלת. לחות גבוהה בסביבת החדר. אחסון מזון המכיל נוזלים במכלים פתוחים. השארת הדלת פתוחה במקצת. כיוון התרמוסטט לדרגה קרה יותר.• קיצור הזמן שבו הדלת תישאר פתוחה או שימוש בדלת לעתים רחוקות יותר.• כיסוי המזון המאוחסן במכלים הפתוחים בחומר מתאים.• נגב את הלחות המתעבה בעזרת מטלית לחה ובדוק התופעה נמשכת.
המדחס אינו פועל
<ul style="list-style-type: none">• מערכת ההגנה התרמית של המדחס תכבה במהלך תקלות פתאומיות בחשמל או כאשר מוציאים את שקע החשמל ומכניסים אותו חזרה למקומו, מאחר שלחץ חומרי הקירור במערכת הקירור של המקרר לא הספיקו להתאזן. המקרר יתחיל לפעול כעבור כ-6 דקות. אם המקרר אינו מתחיל לפעול עם תום פרק זמן זה, קרא לנציג שירות.• המקרר נמצא במצב הפשרה. תופעה זו היא רגילה במקרר בעל יכולת הפשרה אוטומטית מלאה. מצב ההפשרה מתרחש מפעם לפעם.• המקרר אינו מחובר לחשמל. ודא שהתקע הוכנס כראוי לשקע.• האם התבצעו כונוני הטמפרטורה בצורה נכונה?• ייתכן שיש הפסקת חשמל.

המקרה פועל לעתים תכופות או לפרק זמן ממושך.

- ייתכן שהמקרה החדש רחב יותר מהמקרה הקודם. זוהי תופעה רגילה. מקררים גדולים פועלים במשך תקופה ארוכה יותר.
- טמפרטורת החדר עלולה להיות גבוהה. זוהי תופעה רגילה.
- ייתכן שהמקרה חובר לאחרונה לחשמל או שהועמס בו מזון. קירור המקרה לחלוטין עשוי להימשך כשעתיים.
- ייתכן שהונחו לאחרונה במקרה כמויות גדולות של מזון חם. מזון חם גורם להתארכות פעולת המקרה עד שהוא מגיע לטמפרטורת האחסון הבטוחה.
- ייתכן שהדלתות נפתחות לעתים תכופות או שנשארו פתוחות מעט משך זמן רב. האוויר החם שנכנס למקרה גורם למקרה לפעול פרקי זמן ממושכים יותר. פתח את הדלתות לעתים רחוקות יותר.
- ייתכן שדלת תא ההקפאה או דלת תא הקירור נשארו פתוחות מעט. בדוק אם הדלתות סגורות הרמטית.
- המקרה מכוון לדרגת קור נמוכה מאוד. כוונן את טמפרטורת המקרה לדרגה גבוהה יותר והמתן עד שתושג הטמפרטורה הרצויה.
- ייתכן שאטם דלת המקרה או דלת המקפיא מלוכלך, שחוק, קרוע או שזז ממקומו. נקה או החלף את האטם. אטם פגום/שבור גורם למקרה לפעול זמן ממושך יותר כדי לשמור על הטמפרטורה הנוכחית.

טמפרטורת המקפיא נמוכה מאוד ואילו טמפרטורת המקרה מספקת.

- טמפרטורת המקפיא מכווננת לדרגת קור נמוכה מאוד. כוונן את טמפרטורת המקפיא לרמה גבוהה יותר ובדוק.

טמפרטורת המקרה נמוכה מאוד ואילו טמפרטורת המקפיא מספקת.

- ייתכן שטמפרטורת המקרה מכווננת לדרגת קור נמוכה מאוד. כוונן את טמפרטורת המקרה לרמה גבוהה יותר ובדוק.

המזון המאוחסן במגירות תא הקירור קופא.

- ייתכן שטמפרטורת המקרה מכווננת לדרגת קור נמוכה מאוד. כוונן את טמפרטורת המקרה לרמה גבוהה יותר ובדוק.

הטמפרטורה במקרה או במקפיא גבוהה מאוד.

- ייתכן שטמפרטורת המקרה מכווננת לדרגת קור גבוהה מאוד. כוונן המקרה משפיע על טמפרטורת המקפיא. שנה את טמפרטורת המקרה או המקפיא עד שהיא תגיע לדרגה מספקת.
- ייתכן שהדלתות נפתחות לעתים תכופות או שנשארו פתוחות מעט משך זמן רב. אל תפתח אותן לעתים קרובות.
- ייתכן שהדלת נשארה פתוחה מעט; סגור אותה לחלוטין.
- ייתכן שהונחה לאחרונה במקרה כמות גדולה של מזון חם. המתן עד שמהקרה או המקפיא יגיעו לטמפרטורה הרצויה.
- ייתכן שהמקרה חובר לאחרונה לחשמל. קירור המקרה לחלוטין נמשך לאורך זמן.

רעש פעולת המקרר מוגבר כאשר המקרר פועל.
<ul style="list-style-type: none"> ביצועי הפעלת המקרר עשויים להשתנות עקב השינויים בטמפרטורת הסביבה. זוהי תופעה רגילה; אין כאן תקלה.
רטט או רעש
<ul style="list-style-type: none"> הרצפה אינה ישרה או שהיא חלשה. המקרר מתנענע כאשר מזיזים אותו לאט. ודא שהרצפה חזקה במידה מספקת המסוגלת לשאת את משקל המקרר; כמו כן, ודא שהיא ישרה. ייתכן שמקור הרעש הוא בפריטים המונחים על המקרר. יש להסיר חפצים המונחים על גג המקרר.
נשמעים רעשים, המגיעים מתוך המקרר, הדומים לשפיכת נוזלים או התזתם.
<ul style="list-style-type: none"> זרימת נוזלים וגז מתרחשת בהתאם לעקרונות ההפעלה של המקרר. זוהי תופעה רגילה; אין כאן תקלה.
נשמע רעש הדומה למשב רוח.
<ul style="list-style-type: none"> משתמשים במאווררים כדי לאפשר למקרר להתקרר. זוהי תופעה רגילה; אין כאן תקלה.
התעבות בדפנות הפנימיות של המקרר.
<ul style="list-style-type: none"> מזג אוויר חם ולח מגביר את הצטברות הקרח ואת ההתעבות. זוהי תופעה רגילה; אין כאן תקלה. ייתכן שהדלתות נשארו פתוחות מעט; ודא שהדלתות סגורות לחלוטין. ייתכן שהדלתות נפתחות לעתים תכופות או שנשארו פתוחות מעט משך זמן רב. אל תפתח אותן לעתים קרובות.
לחות מצטברת בחלקו החיצוני של המקרר או בין הדלתות.
<ul style="list-style-type: none"> ייתכן שקיימת לחות באוויר; זוהי תופעה די רגילה במזג אוויר לח. כאשר הלחות יורדת ההתעבות נעלמת.
ריח רע במקרר.
<ul style="list-style-type: none"> יש לנקות את המקרר מבפנים. נקה את פנים המקרר בספוגית, מים פושרים או מי סודה. ייתכן שחלק מהמכלים או מחומרי האריזה גורמים לריח. השתמש במכל אחר או בחומרי אריזה של יצרן אחר.
הדלת אינה נסגרת.
<ul style="list-style-type: none"> אריזות המזון עלולות למנוע את סגירת הדלת. שנה את מקומן של האריזות שמפריעות לסגור את הדלת. המקרר אינו ניצב על הרצפה בצורה אנכית לגמרי והוא מתנענע בכל פעם שמזיזים אותו מעט. כוונן את בורגי ההגבהה. הרצפה אינה ישרה או חזקה. ודא שהרצפה ישרה ומסוגלת לשאת את משקל המקרר.
המגירות לירקות נתקעות.
ייתכן שהמזון נוגע בתקרת המגירה. ארגן מחדש את המזון במגירה.

57 0403 0000/AD
EN-DE-HE

Free Manuals Download Website

<http://myh66.com>

<http://usermanuals.us>

<http://www.somanuals.com>

<http://www.4manuals.cc>

<http://www.manual-lib.com>

<http://www.404manual.com>

<http://www.luxmanual.com>

<http://aubethermostatmanual.com>

Golf course search by state

<http://golfingnear.com>

Email search by domain

<http://emailbydomain.com>

Auto manuals search

<http://auto.somanuals.com>

TV manuals search

<http://tv.somanuals.com>