


Gas Range
Cuisinière à gaz

BGR 24100SS

User manual
Manuel d'utilisation

Blomberg

 **WARNING:** If the information in this manual is not followed exactly, a fire or explosion may result causing property damage, personal injury or death.

- Do not store or use gasoline or other flammable vapors and liquids in the vicinity of this or any other appliance.

WHAT TO DO IF YOU SMELL GAS

- Do not try to light any appliance.
 - Do not touch any electrical switch.
 - Do not use any phone or mobile phone in your building.
 - Immediately call your gas supplier from a neighbor's phone. Follow the gas supplier's instructions.
 - If you can not reach your gas supplier, call the fire department.
-
- Installation and service must be performed by a qualified installer, service agency or the gas supplier.



Important Safety Instructions

Read and save these instructions

 **WARNING:** If the information in this manual is not followed exactly, a fire or explosion may result causing property damage, personal injury or death.



WARNING

Tip-Over Hazard

"A child or adult can tip the range and be killed.

Install the anti-tip device to the structure and/or the range."

"Engage the range to the anti-tip device by anti-tip brackets given with oven as shown in Figure.2 and 3."

"Re-engage the anti-tip device if the range is moved.

Install anti-tip device packed with range.

See installation instructions.

"Failure to follow these instructions can result in in death or serious burns to children or adults."



.Do not operate the range without anti-tip device in place and engaged

After installation cautiously grip the rear of the range to ensure the anti-tip bracket is engaging the rear foot of range."

This appliance is intended for normal household use only. It is not approved for outdoor or other non-household uses (including sea or air-going vessels). See the Statement of Limited Warranty. If you have any questions, contact the manufacturer.

Do not repair or replace any part of the appliance unless specifically recommended in this manual. Refer all servicing to a factory authorized service center.

Explanation of symbols

Throughout this User Manual the following symbols are used:



Important information or useful hints about usage.



Warning for hazardous situations with regard to life and property.



Warning for electric shock.



Warning for risk of fire.



Warning for hot surfaces.



Please read these instructions before installation or using your appliance!

Dear Customer,

We would like you to obtain best performance with your product that has been manufactured in modern facilities and passed through strict quality control procedures.

Therefore, we advise you to read through this user manual carefully before using your product and keep it for future reference. If you hand over the product to someone else, deliver the user manual as well.

The user manual will help you use the product in a fast and safe way.


IMPORTANT:

Save these instructions for the local electrical inspectors use.

The instructions will help you to operate the appliance quickly and safely.

- Upon delivery, please check that the appliance is not damaged. If you note any transport damage, please contact your point of sale immediately and do not connect and operate the appliance!
- Before you connect and start using the appliance, please read this manual and all enclosed documents. Please note in particular the safety instructions.
- Keep all documents so that you can refer to the information again later on. Please keep your receipt for any repairs which may be required under warranty.
- When you pass on the appliance to another person, please provide all documents including original date of purchasing. Warranty is not valid if the product is sold second hand.
- If you should decide not to use this appliance any longer (or decide to substitute an older model), before disposing of it, it is recommended that it be made inoperative in an appropriate manner in accordance to health and environmental protection regulations, ensuring in particular that all potentially hazardous parts be made harmless, especially in relation to children who could play with old appliances. Remove the door and the warming drawer before disposal to prevent entrapment.

Table of Contents


1 Safety Instructions	6	5 How to Operate the Oven	27
 Basic safety instructions	6	General information on baking, roasting and broiling	27
Safety for children	7	Tips for baking.	27
Safety when working with electricity.	8	Tips for roasting.	27
Intended use	9	Tips for broiling	27
Disposal	9	How to use the gas oven.	28
Packaging material	9	Cooking times table.	28
Future transportation	9	Baking and roasting.	28
		How to operate the broil	30
2 Installation	11	Cooking times table for broiling	31
Installation and connection	11		
Clearances & Dimensions	13	6 Maintenance and Care	32
Important notes to the installer.	13	General information	32
Anti-Tip stability device installation instructions	14	How to clean the burner/plate	32
Connection to the main supply	22	Gas hobs.	32
		Cleaning the oven	32
3 Preparation	24	Replacing the oven lamp	33
Tips for saving energy	24		
Initial operation	24	7 General Information	34
Gas oven.	24	Overview	34
		Technical Data.	35
4 How to use the hob	25		
		8 Troubleshooting	37
		Electrical equipment	37
		9 Warranty Statement for electric and gas ranges	38

1 Safety Instructions

Basic safety instructions


- This appliance is not intended for use by persons (including children) with reduced physical, sensory or mental capabilities, or lack of experience and knowledge, unless they have been given supervision or instruction concerning use of appliance by a person responsible for their safety. Children should be supervised to ensure that they do not play with the appliance.
- Never use when judgment or coordination is impaired by the use of alcohol and/or drugs.
- Do not operate the appliance if it is defective or shows any visible damage.
- Do not carry out any repairs or modifications on the appliance. However, you may remedy some malfunctions; see Troubleshooting, page 38.
- Only authorized replacement parts may be used in performing service on the range. Replacement parts are available from factory authorized parts distributors. Contact the nearest parts distributor in your area.
- Be careful when using alcoholic drinks in your dishes. Alcohol evaporates in high temperatures and may cause fire since it will catch fire when it gets in contact with hot surfaces.
- Do not heat closed food containers and glass jars. Pressure that may build-up in the jar can cause it to burst.
- Keep appliance area clear and free from combustible materials, gasoline, and other flammable vapors.

- Ensure that no flammable materials are adjacent to the appliance as the sides become hot during use.
- **Fire risk!** Do not store flammable material in the oven and/or in the warming drawer.
- **Do not use water on grease fires.** Smother fire or flame or use dry chemical or foam type extinguisher.
- Do not leave empty pots or pans on plates that are switched on. They might get damaged.
- Since it may be hot, do not leave plastic or aluminum dishes on the surface of appliance. These kind of dishes should not be used to keep food either.


-  **IMPORTANT:** Never cover any slots, holes or passages in the oven or cover an entire rack with aluminum foil. Doing so blocks airflow through the oven and may cause carbon monoxide poisoning. Aluminum foil linings may also trap heat, causing a fire hazard.
- Do not use aluminium foil to line surface unit drip bowls or oven bottoms or oven bottoms, except as suggested in the manual. Improper installation of these liners may result in a risk of electric shock, and/or fire.
 - The manufacturer declines all liability for injury to persons or damage to property caused by incorrect or improper use of the appliance.
 - Always use only dry potholders or heat-resistant gloves when inserting or removing the dishes into/from your oven. Do not let potholder touch hot heating elements. Do not use a towel or other bulky cloth.

- Do not use the oven with front door glass removed or broken.
- Rear surface of the oven gets hot when it is in use. Electric connection should not touch the rear surface, otherwise the main cable may get damaged. Do not trap the main cable between the hot oven door and frame. Do not route the main cable over the hot cooking section. Otherwise, cable insulation may melt and cause fire as a result of short circuit.
- Never wear loose-fitting or hanging garments while using the appliance. Be careful when reaching for items stored in cabinets over the oven. Flammable material could be ignited if brought in contact with hot surfaces or heating elements and may cause severe burns.
- Flame in the oven can be smothered completely by closing the oven door and turning the oven off or by using a multi-purpose dry chemical or foam-type fire extinguisher.
- Place the oven rack in the desired position while the oven is cool. If racks must be handled when hot, do not let pot holder contact the heating elements.
- Pulling out the rack to the stop-lock is a convenience in lifting heavy foods. It is also a precaution against burns from touching hot surfaces of the door or oven walls.
- Do not use the oven to dry newspapers. If overheated, they can catch on fire.
- After broiling, always take any broiler pan out of the oven and clean it. Leftover grease in a broiler pan can catch fire next time you use the pan.


- Check that all controls on the appliance are switched off after use.

 **IMPORTANT:** Call the authorized service for installation of the appliance to be used. After this procedure, guarantee period will be started.

Safety for children

 **WARNING:** Stepping, leaning or sitting on the door or drawers of this range can result in serious injuries and also cause damage to the range. Do not allow children to climb or play around the range. The weight of a child on an open door may cause the range to tip, resulting in serious burns or other injury.

- Accessible parts may be hot when the broil is in use. Young children should be kept away.
- Surface units may be hot even though they are dark in colour. Areas near surface units may become hot enough to cause burns. During and after use, do not touch or let clothing or other flammable materials contact surface units until they have had sufficient time to cool. Among these areas are (Identification of areas- for example, the cook-top and surfaces facing the cook-top).

 **WARNING:** Do not store items of interest to children in the cabinets above the range or on backguard of a range. Children climbing on the range to reach items could be seriously injured.

- The packaging materials will be dangerous for children. Keep the packaging materials away from children. Please dispose of all parts of the packaging according to environmental standards.

Safety when working with electricity

⚠ WARNING: Before installing, turn power OFF at the service panel. Lock service panel to prevent power from being turned ON accidentally.

⚠ WARNING: Personal injury or death from electrical shock may occur if the range is not installed by a qualified installer or electrician.

Any additions, changes or conversions required in order for this appliance to satisfactorily meet the application needs must be made by a qualified technician.

- In case of any damage, switch off the appliance and disconnect it from the main supply by removing the fuse or switching off the circuit breaker.
- Ensure that the fuse rating is correct.
- Do not operate the appliance barefooted.
- Never touch the appliance with wet hands or feet.

Safety when working with gas

⚠ WARNING: To reduce the risk of personal injury in the event of a grease fire, observe the following:

- Smother flames with a close-fitting lid, cookie sheet, or metal tray, then turn off the burner. Exercise caution to prevent burns. If the flames do not go out immediately, evacuate and call the fire department.
- Never pick up a flaming pan—You may be burned.

Do not use water, including wet rags or towels—a violent steam explosion will result.

Use an extinguisher only if:

- 1) You know you have a CLASS ABC

extinguisher and you already know how to operate it.


- 2) The fire is small and contained in the area where it started.
- 3) The fire department is being called.
- 4) You can fight the fire with your back to an exit.

⚠ WARNING: If the information in this manual is not followed exactly, a fire or explosion may result causing property damage, personal injury or death.

- Any works on gas equipment and systems may only be carried out by authorised qualified persons who are Gas Safe registered.
- "Prior to the installation, ensure that the local distribution conditions (nature of the gas and gas pressure) and the adjustment of the appliance are compatible."
- "This appliance is not connected to a combustion products evacuation device. It shall be installed and connected in accordance with current installation regulations. Particular attention shall be given to the relevant requirements regarding ventilation;" See Before installation, page 3
- "**CAUTION:** "The use of gas cooking appliance results in the production of heat and moisture in the room in which it is installed. Ensure that the kitchen is well ventilated: keep natural ventilation holes open or install a mechanical ventilation device (mechanical extractor hood). Prolonged intensive use of the appliance may call for additional ventilation, for example increasing the level of the mechanical ventilation where present."

- Gas appliances and systems must be regularly checked for proper functioning. Please arrange for annual maintenance.
- Clean the gas burners regularly. The flames should be blue and burn evenly.
- Good combustion is required in gas appliances. In case of incomplete combustion, carbon monoxide (CO) might develop. Carbon monoxide is a colourless, odourless and very toxic gas, which has a lethal effect even in very small doses.
- Request information about gas emergency telephone numbers and safety measures in case of gas smell from you local gas provider.

Intended use

 **WARNING:** Use this appliance only for its intended use as described in this manual. NEVER use this appliance as a space heater to heat or warm a room. Doing so may result in carbon monoxide poisoning and overheating the appliance. Never use the appliance for storage.

This appliance should not be used for warming the plates under the broil, hanging towels and dish cloths on the handles, for drying and the space heating purposes.

All openings in the wall behind the appliance and in the floor under the appliance shall be sealed.

This appliance is not intended **to use at mobile homes, recreational vehicles.**

Do not obstruct the flow of ventilation air. The manufacturer shall not be held liable for any damage caused by improper use

or handling errors.

The appliance can be used for defrosting, baking, roasting and broiling food.

Disposal

Packaging material


 **DANGER:** Risk of suffocation by the packaging materials!

Packing elements (i.e. plastic bags, polystyrene foam, nails, packing straps, etc.) should not be left around within easy reach of children, as these may cause serious injuries.


The packaging material and transport locks are made from materials that are not harmful to the environment. Please dispose of all parts of the packaging according to environmental standards. This is beneficial to the environment.

Future transportation

Do not carry out cleaning or maintenance operations on the appliance without having previously disconnected it from the electric power supply.

 **NOTICE:** Do not place other items on the top of the appliance. The appliance must be transported upright.

Store the appliance's original box and transport the appliance in its original carton. Follow the guidance marks that are printed on the carton.

 **IMPORTANT:** Verify the general appearance of your equipment by identifying possible damage during the transportation.

To prevent the wire shelf and tray inside the oven from damaging the oven door, place a strip of cardboard onto the inside

of the oven door that lines up with the position of the trays. Tape the oven door to the side walls.

If you do not have the original carton

Pack the appliance in bubble wrap or thick cardboard and tape it securely in order to prevent damage during transportation.

2 Installation

To ensure that critical air gaps are maintained under the appliance, we recommend that this appliance is mounted on a solid base and that the feet do not sink into any carpet or soft flooring.

The kitchen floor must be able to carry the weight of the appliance plus the additional weight of cookware and bakeware and food.

- If an appliance hood is to be fitted, refer to the manufacturer's instructions regarding fixing height.
- The appliance corresponds to device class 1, i.e. it may be placed with the rear and **one** side to kitchen walls, kitchen furniture or equipment of any size. The kitchen furniture or equipment on the **other** side may only be of the same size or smaller.
- Any kitchen furniture next to the appliance must be heat-resistant (212 °F min.).

Room ventilation

The air for combustion is taken from the room air and the exhaust gases are emitted directly into the room.

Good room ventilation is essential for safe operation of your appliance. If there is no window or door available for room ventilation, an extra ventilation must be installed.

Do not install this appliance in a room below ground level unless it is open to ground level on at least one side. Failure to install correctly is dangerous and could result in prosecution.

Prolonged intensive use of the appliance may call for additional ventilation, for example the opening of a window, or the use of permanent fixed mechanical ventilation system, for example, an

extractor fan or cooker hood that ventilates to the outside.

Room size	Ventilation opening
smaller than 5 m ³	min 100 cm ²
5 m ³ to 10 m ³	min 50 cm ²
greater than 10 m ³	not required
in the cellar or basement	min 65 cm ²

Be sure your appliance is properly installed and grounded by a qualified technician in accordance with the National Fuel Gas Code ANSI Z223.- latest edition, or in Canada, CAN/CGA B149.1, and CAN/CGA B149.2, and National Electrical Code ANSI/NFPA No.70 - latest edition, or in Canada CSA Standard C22.1, Canadian Electrical Code, Part 1 and local code requirements.

Installation and connection

⚠ IMPORTANT: Do not install the appliance next to refrigerators or freezers. The heat emitted by the appliance will lead to an increased energy consumption of cooling appliances.

- For installation the appliance must be connected in accordance with all local electrical and/or gas regulations.

ⓘ CAUTION: Unit is heavy and requires a least two persons or proper equipment to move.

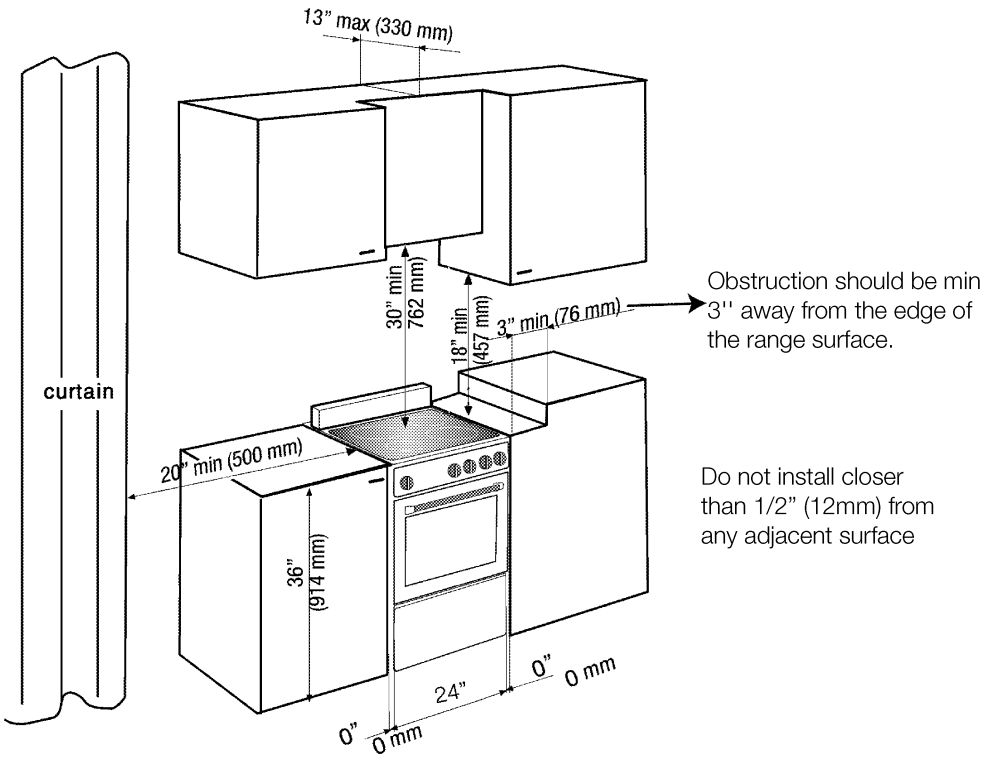


Fig. 1

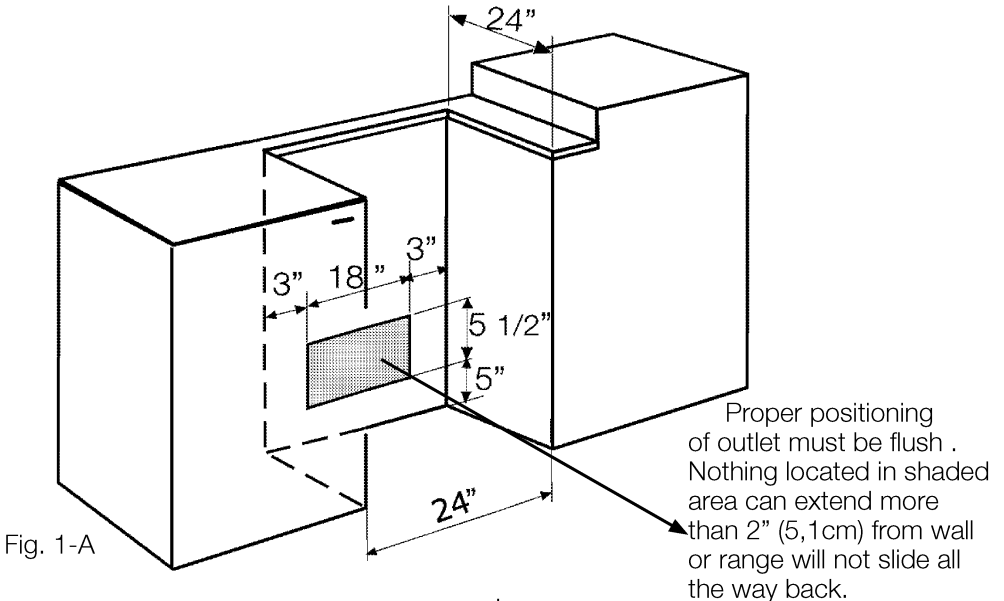
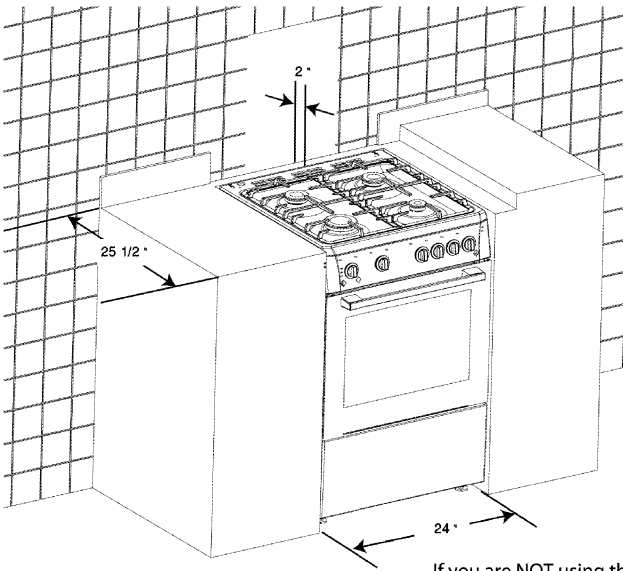
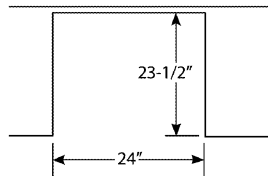


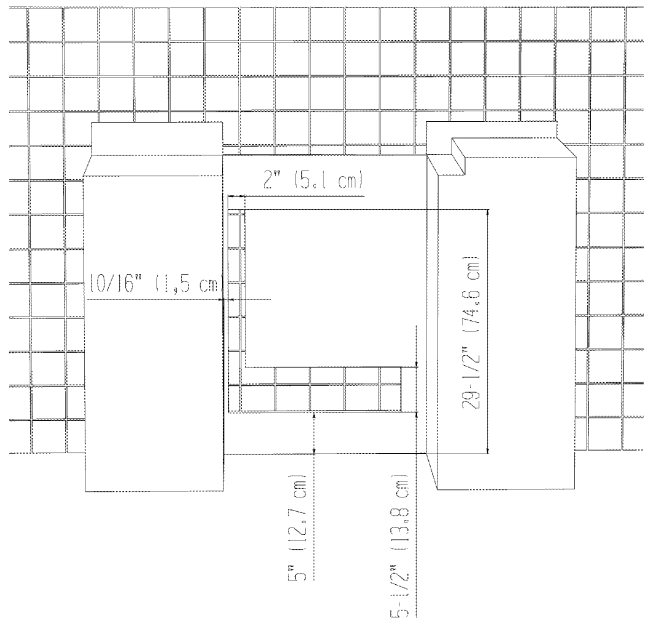
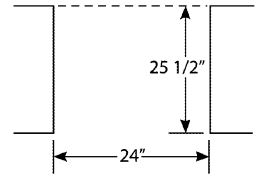
Fig. 1-A



If you are NOT using the
Filler strip or Backguard:



If you are using the
Filler strip or Backguard:



NOTICE:

Material damage!

The door and/or handle must not be used for lifting or moving the appliance.

- The appliance must be placed directly on the floor. It must not be placed onto a base or a pedestal.

Clearances & Dimensions

Dimensions that are shown in figure must be used. Given dimensions provide minimum clearance. There needs to be a 30-inch minimum clearance between the top of the cooking surface and the bottom of unprotected wood or metal cabinets or a 24-inch minimum when bottom of wood or metal cabinets are protected by not less than a 1/4-inch flame retardant millboard covered with not less than no. 29 msg sheet-steel, 0.015-inch stainless steel, 0.024-inch aluminum or 0.020-inch copper.

To eliminate the risk of burns or fire by reaching over heated surface units, cabinet storage space located above the surface units should be avoided. If cabinet storage is to be provided, the risk can be reduced by installing a range hood that projects horizontally a minimum of 5 inches beyond the bottom of the cabinets.

This appliance is not intended for use in mobile homes, recreational vehicles.

Important notes to the installer

Read manual before installing the cooker.

Observe all governing codes and ordinances.

Be sure to leave these instructions with the consumer.

Be sure your range is installed and grounded properly by a qualified installer


or service technician.

Important Notes to the Installer

Read manual before installing the cooker. Observe all governing codes and ordinances.

Be sure to leave these instructions with the consumer.

Be sure your range is installed and grounded properly by a qualified installer or service technician.

 **IMPORTANT:** Before installing the range in an area covered with linoleum or any other synthetic floor covering, make sure the floor covering can withstand heat at least 90°F (32.2°C) above room temperature without shrinking, warping or discoloring.

Do not install the range over carpeting unless you place an insulating pad or sheet of 1/4-inch (0.64cm) thick plywood between the unit and carpeting.

WARNING

All ranges can tip and injury to persons could result.

- Install the Anti-Tip Device packed with appliance.
- A risk of tip-over may exist if the appliance is not installed in accordance with these instructions.
- If the range is pulled away from the wall for cleaning, service or any other reason, ensure that the Anti-Tip Device is properly re-engaged when the range is pushed back against the wall. In the event of abnormal usage (such as a person standing, sitting or leaning on an open door), failure

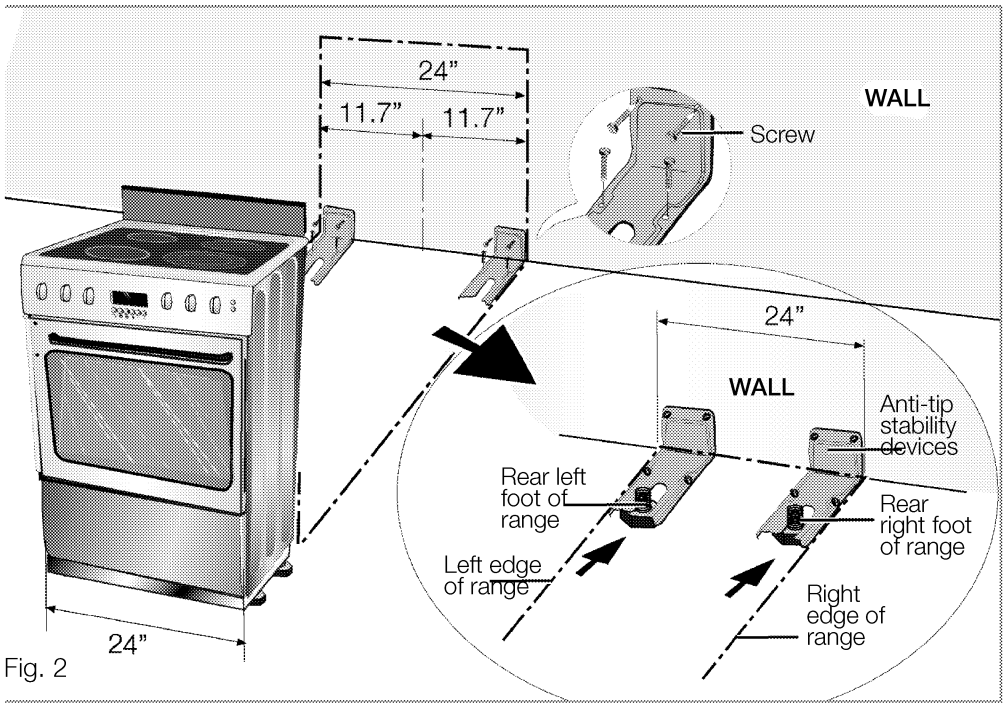


Fig. 2

to take this precaution can result in tipping of the range. Personal injury might result from spilled hot liquids or from the range itself.

3. Slide range into place making sure the anti-tip device to be faced the anti-tip hole on the cooktop and screwed.

Anti-Tip stability device installation instructions

1. The anti-tip device has to be attached to the floor as shown in Figure 3.

The dimension for the bracket location from the floor is to be determined after the appliance feet have been adjusted to the proper installation height shown in the installation instructions and the appliance has been leveled.

2. Locate the anti-tip device on the wall at the measured dimension from where the left side of the appliance (facing range) is to be located.

Fasten Bracket (Floor Mounting only)

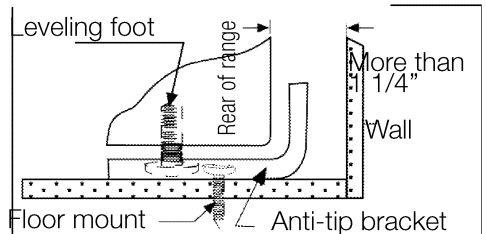


Fig. 3

⚠ Tip Over Hazard

A child or adult can tip the range and be killed. Connect anti-tip bracket to rear range foot. Reconnect the anti-tip bracket, if the range is moved. Failure to follow these instructions can result in

death or serious burns to children and adults.

⚠ DANGER: Electrical shock hazard!

- Use extreme caution when drilling holes into the wall or floor. There may be concealed electrical wires located behind the wall or under the floor.
- Identify the electrical circuits that could be affected by the installation of the Anti Tip Device, then turn off power to these circuits.

Failure to follow these instructions may result in electrical shock or other personal injury.

Connection to the gas supply

This appliance has been tested in accordance with the following standards:

- ANSI Z21.1 Standard for Household Cooking Appliances (USA)
- CAN 1.1 M81 Interim Regt no 58 Domestic Cooktops (CANADA).
- CAN/ CSA-C 22.2 No 61-M89 Household Cooking Ranges.

In Canada, installation must be in accordance with CAN 1-B149.1 and 2 Installation Codes for Gas Burning Appliances and or local codes.

For Massachusetts Installations:

1. Installation must be performed by a Qualified or licenced contactor, plumber or gas fitter qualified or licenced by the state , province or region where this appliance is being installed.
2. Shut-off valve must be a "T" handle gas cock.
3. Flexible gas connector must not be longer than 36 inches.

High Altitude Installation note:

This cooker is ETL certified for safe operation up to an altitude of 10,000 ft. without any modifications.

Exception: for use with LP, the range must first be converted using the LP conversion instructions included in this literature package.

Connect to the gas supply

Important note for LP users

The range is shipped from the factory for use with natural gas. For use with propane (LP) gas, your range must first be converted using the LP conversion kit.

The gas connection is located below the back panel of the range (see fig). It is accessible through the warming drawer access panel or from the back of the range. To reach access panel, remove warming drawer.

Shut off main gas supply valve before disconnecting the old range and leave it off until the new hook-up has been completed.

The cooker can be installed using rigid pipe or a CSA, cCSAus, UL International-certified flexible metal appliance connector. If using a flexible connector, always use a new connector.

Apply pipe joint compound or Teflon* tape appropriate * for use with LP gas and Natural gas around all male pipe threads to prevent leaks.

If not already present, install gas shut off valve in an easily accessible location. Make sure all users know where and how to shut off the gas supply to the range.

NOTE: The installer should inform the consumer of the location of the gas shut-off valve. Flexible Connector Method (see Figure 4)

1. Install male 1/2" flare adaptor at the 1/2" NPT internal thread of the range inlet. Use a backup wrench on the elbow fitting to avoid damage.
2. Install male 1/2" or 3/4" flare union adaptor on the NPT internal thread, of the manual shut-off valve.
3. Connect flexible metal appliance connector.
4. Make sure circuit breaker is off and then plug range cord in to electrical outlet
5. Push range back into position insuring that range leg slides under the anti-tip bracket. The range will sit 3/4" away from the wall when properly installed.

NOTE: Be careful not to crimp flexible connector!

6. Carefully tip range forward to insure that anti-tip bracket engages and prevents tip-over.

Rigid Pipe Method (see Figure 4.)

The configuration of the rigid pipe connection will vary depending on the location of the gas pipe stub. Refer to Figure 4 for details.

1. Make sure circuit breaker is off and then plug range cord in to electrical outlet
2. Push range back into position insuring that range leg slides under the anti-tip bracket. The range will sit 3/4" away from the wall when properly installed.
3. Carefully tip range forward to insure that anti-tip bracket engages and prevents tip-over.
4. Connect pipe to range at union. Access the connection through the access panel behind the warming drawer.

NOTE: Be careful not to apply pressure to warming drawer element during rigid pipe installation.

Proceed to "Test for Gas Leaks"

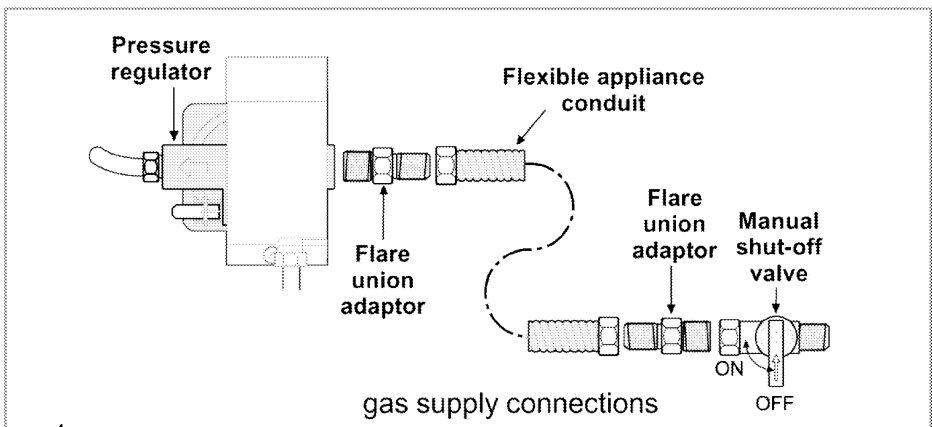


Figure 4

Test for Gas Leaks

Leak testing is to be conducted by the installer according to the instructions given in this section.

Turn on Gas. Apply a non-corrosive leak detection fluid to all joints and fittings in the gas connection between the shut-off valve and the range. Include gas fittings and joints in the range if connections may have been disturbed during installation. **Bubbles appearing around fittings and connections indicate a leak.**

If a leak appears, turn off supply line gas shut-off valve and tighten connections. Re-test for leaks by turning on the supply line gas shut-off valve. When leak check is complete (no bubbles appear), test is complete. Wipe off all detection fluid residue. Proceed to Step 6: Final Steps on page 16.

CAUTION

Never check for leaks with a flame. Do not continue to the next step until all leaks are eliminated.

CAUTION

Before you plug in an electrical cord, be sure all controls are in the OFF position.

Test burner function

1. Turn on Power at Breaker

If display screen flashes and beeps continuously, the wiring is incorrectly installed. Verify that wiring in house is correctly installed. If so, call Service.

2. Test Rangetop Burners

Test Burner Ignition. Select a rangetop burner knob. Push down and turn to the flame symbol. The ignitor/spark module will produce a clicking sound. Once the air has been purged from the supply lines, the burner should light within four (4) seconds.

Test Flame: High Setting. Turn burner on to HI. See figure 7 for appropriate flame characteristics. If any of the burners continue to burn mostly or completely yellow, call Blomberg Service.

Test Flame: Low Setting. Turn burner on to L.O. Verify that the flame completely surrounds the burner. There should be a flame at each burner port and there should be no air gap between the flame and the burner. If any of the burners do not carry over, call Service.

Test the ignition and flame of each rangetop burner as described above.

When flame is properly adjusted

There should be a flame at each range top burner port.

There should be no air gap between the flame and the burner port.

3. Test Oven Burners

Remove the oven bottom cover. Remove the two rear thumb screws, slide cover forward and out.

Test Bake Burner Ignition. Set the oven to bake at 350° F. After 30-75 seconds, the burner will ignite. The burner will stay lit until the 350° F is reached and then shut off. From this point forward, the burner will cycle on and off to maintain the temperature.

Test Bake Burner Flame, While the burner is lit, inspect the flame. See below flame figures for proper flame characteristics. If the flame burns completely or mostly yellow, adjust the bake burner air shutter. See below flame figures (next page) for details.

Test Broil Burner Ignition. Set cooking mode to Hi Broil. The burner will ignite after 30-75 seconds.


Test Broil Burner Flame. While the burner

is lit, inspect the flame. See below flame figures for proper flame characteristics. If the flame burns completely or mostly yellow, adjust the broil burner air shutter. See below flame figures for details.

Replace oven bottom cover. Slide cover into place and replace two rear thumb screws.

Flame Characteristics

Yellow Flames:

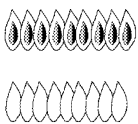
Further adjustment is required, 

Yellow Tips on Outer Cones:

Normal for LP Gas.

Soft Blue Flames:

Normal for Natural Gas.



If the flame is completely or mostly yellow, verify that the regulator is set for the correct fuel. After adjustment, retest.

Some yellow streaking is normal during the initial start-up. Allow unit to operate 4-5 minutes and re-evaluate before making adjustments.

Call Service if;

1. Any of the burners do not light.
2. The broil burner or bake burner flame goes out before reaches 350 F.
3. Any of the burners continue to burn yellow.

If flame adjustment is necessary, continue to next page. Otherwise, installation is complete at this point

Gas conversion

"This appliance can be used with LP gas and Natural gas. It is shipped from the factory adjusted for use with natural gas. Conversion orifices are located in conversion kit. Follow the instructions packed with the orifices for gas

conversion."

⚠ CAUTION: Risk of explosion!

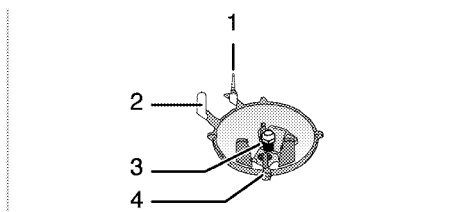
Before starting any work on the gas installation, please shut off the gas supply. In order to change your appliance's gas type, change all injectors and make flame adjustment for all valves at reduced flow rate position.

Exchange injector for the burners

1. Take off burner cap and burner body.
2. Unscrew injectors.
3. Fit new injectors.
4. Check all connections for secure fitting and tightness.

ⓘ NOTICE

New injectors have their position marked on their packing or injector table on page 36 can be referred to.



- 1 Flame failure device
- 2 Sparking plug
- 3 Injector
- 4 Burner

⚠ CAUTION:

Unless there is an abnormal condition, do not attempt to remove the gas burner taps. You must call an Authorised service agent if it is necessary to change the taps.

Reduced gas flow rate setting for hob taps

1. Ignite the burner that is to be adjusted and turn the knob to the reduced position.

2. Remove the knob from the gas tap.
3. Use an appropriately sized screwdriver to adjust the flow rate adjustment screw.

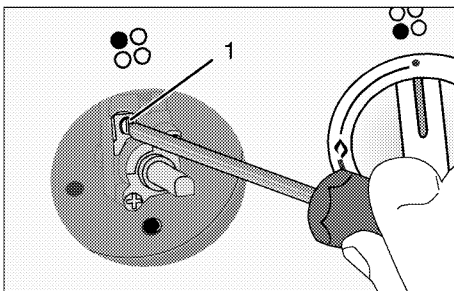
For LPG (Butane - Propane) turn the screw clockwise.

For the natural gas, you should turn the screw counter-clockwise once.

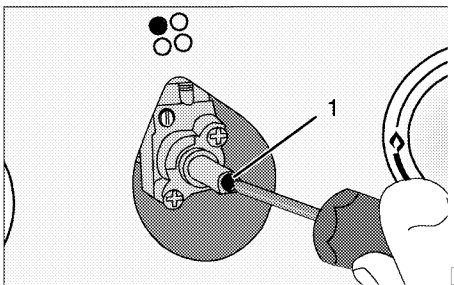
» The normal length of a straight flame in the reduced position should be 6-7 mm.

4. If the flame is higher than the desired position, turn the screw clockwise. If it is smaller turn anticlockwise.
5. For the last control, bring the burner both to high-flame and reduced positions and check whether the flame is on or off.

Depending on the type of gas tap used in your appliance the adjustment screw position may vary.

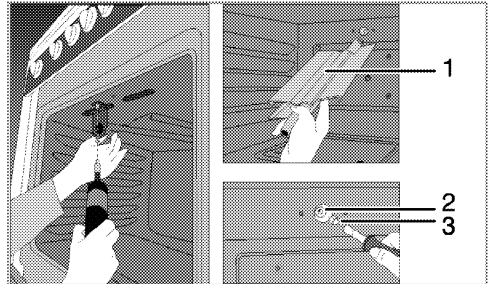


1. Flow rate adjustment screw



Exchange injector for the grill

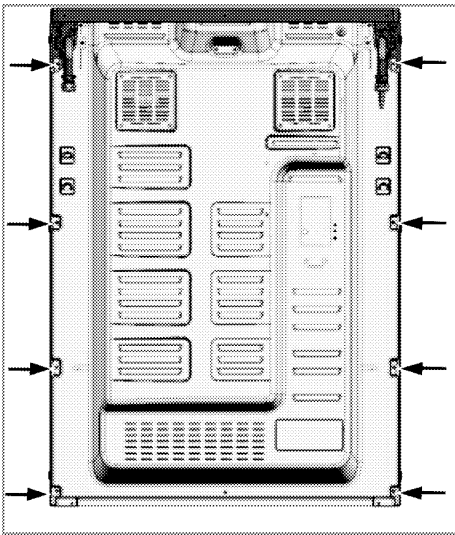
1. Open grill door.
2. Unscrew fastening screw of the burner.
3. Slightly pull the grill burner (1) to lift it free with its link(s) on the rear side connected.
4. Unscrew injector by turning to counter-clockwise direction (3).
5. Fit new injector.



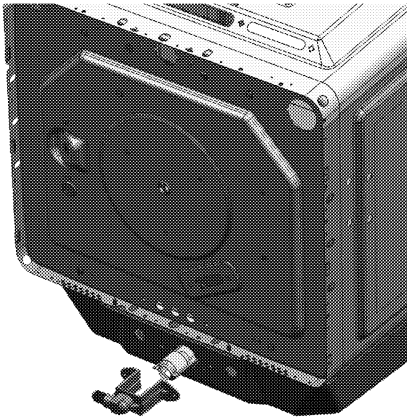
- 1 Grill burner
- 2 Injector holder
- 3 Injector

Exchange injector for the oven

1. Unscrew fastening screws of the back wall.



2. Unscrew the 2 screws (2) of the injector holder (1).
3. Pull out the injector holder.

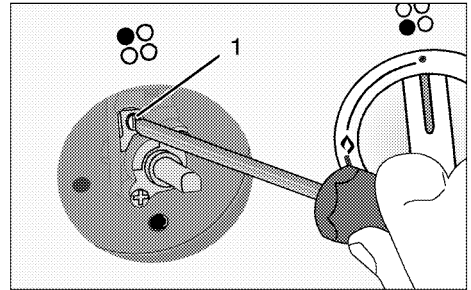


- 1 Injector holder
- 2 Screw
4. Unscrew injector by turning to counter-clockwise direction.
5. Fit new injector.

Reduced flow adjustment for the gas oven

For the appropriate functioning of the oven re-checking the by-pass adjustment is extremely important. In order to provide maximum security to the user these operations have to be done with care.

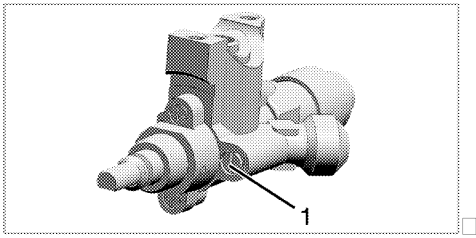
1. Ignite the burner that is to be adjusted and turn the knob to the high flame position.
2. Close the oven door and wait for 10 to 15 minutes until the oven becomes ready for adjustment.
3. Take out the knob
4. After 15 minutes, adjust the oven to the lowest flame position.



5. Set the flame length to 2 to 3 mm by means of the screw 1 on the oven tap. Turning the screw in clockwise direction reduces the flame, turning it anticlockwise increases the flame.

i CAUTION:

If the temperature of the oven increases unintendedly, turn off the oven and call the authorised service to have oven thermostat repaired.



Connection to the main supply

⚠ IMPORTANT: Electrical installation should comply with national and local codes.

⚠ IMPORTANT: This appliance must be grounded!

⚠ WARNING: Avoid fire hazard or electrical shock. Do not use an adapter plug, an extension cord, or remove the grounding prong from the electrical power cord. Failure to follow this warning can cause serious injury, fire or death.

This appliance is equipped with a 3-prong grounding plug for your protection against shock hazard and should be plugged directly into a properly grounded receptacle. DO NOT cut or remove the grounding prong from this plug.

For personal safety, the range must be properly grounded. For maximum safety, the power cord must be plugged into an electrical outlet that is correctly polarized and properly grounded.

If a 2-prong wall receptacle is the only available outlet, it is the personal responsibility of the consumer to have it replaced with a properly grounded 3-prong wall receptacle installed by a qualified electrician.

⚠ WARNING: Do not ground to a gas pipe.

Our company shall not be held responsible for any damage caused by using the appliance without a grounded receptacle.

The wiring diagram covering the control circuit is located inside the lower panel, below the oven door panels.

The main supply data must correspond to the data specified on the rating plate.

Butan/propan	Natural gas
Fasten the screw until the end	Loosen the screw
	1/2 round

i CAUTION:

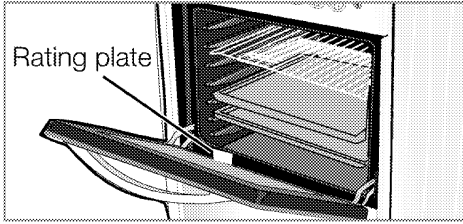
If the gas type of the unit is changed, then the rating plate that shows the gas type of the unit must also be changed.

The California Safe Drinking Water and Toxic Enforcement Act requires the Governor of California to publish a list of substances known to the State of California to cause cancer, birth defects, or other reproductive harm, and requires businesses to warn of potential exposure to such substances.

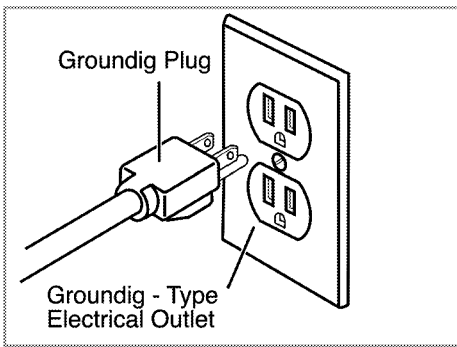
⚠ IMPORTANT: This product contains a chemical known to the State of California to cause cancer, birth defects, or other reproductive harm.

This appliance can cause low-level exposure to some of the substances listed, including benzene, formaldehyde, carbon monoxide, and toluene.

of the appliance. The rating plate is either seen when the door or the lower cover is opened.



The range is equipped with a 3-prong ground plug. To minimize possible shock hazard, the cord must be plugged into a mating 3-prong ground-type outlet, grounded to conform with the National Electrical Code, ANSI/NFPA 70 latest edition, or Canadian Electrical Code (CSA) and all local codes and ordinances. Refer to the illustration below.



⚠ DANGER: Risk of electric shock, short circuit or fire by damage of the main power supply!

The main **power supply** lead must not be clamped, bent or trapped or come into contact with hot parts of the appliance.

If the main **power supply** is damaged, it must be replaced by a qualified electrician.

⚠ IMPORTANT: The gas cooker requires a 110/120VAC electrical supply to operate the electronic ignition system. The 6' (1.8 m) power supply cord provided with the range is equipped with a 3-prong, grounded plug for protection against shock hazard. The service should have its own 15 amp circuit breaker.

⚠ IMPORTANT: You must follow all National Electrical Code and gas regulations.

In addition, be aware of local codes and ordinances when installing your services.

- To align the appliance with the worktop, adjust the feet turning right or left hand as required.

3 Preparation

Tips for saving energy


Tips for saving energy

The following information will help you to use your appliance in an ecological way, and to save energy:

- Use dark coloured or enamel coated cookware in the oven since the heat transmission will be better.
- While cooking your dishes, perform a preheating operation if it is advised in the user manual or cooking instructions.
- Do not open the door of the oven frequently during cooking.
- Try to cook more than one dish in the oven at the same time whenever possible. You can cook by placing two cooking vessels onto the wire grill.
- Cook more than one dish one after another. The oven will already be hot.
- Defrost frozen dishes before cooking them.
- Use pots/pans with cover for cooking. If there is no cover, energy consumption may increase 4 times.
- Select the burner which is suitable for the bottom size of the pot to be used. Always select the correct pot size for your dishes. Larger pots require more energy.

Initial operation


First cleaning of the appliance

 **IMPORTANT:** The surface may get damaged by some detergents or cleaning materials.


1. Remove all packaging materials.

2. Wipe the surfaces of the appliance with a damp cloth or sponge and with dry cloth.

Initial heating

 **WARNING:** Hot surfaces may cause burns!

Do not touch the hot surfaces of the appliance. Use oven gloves. Keep children away from the appliance.

 Smell and smoke may emit during first heating. Ensure that the room is well ventilated.

Any production residues or conservation layers must be burnt off before the first use. Heat up the appliance for about 30 minutes and then switch it off.

Gas oven

1. Take all baking trays and wire shelf from the oven.
2. Close oven door.
3. Select largest flame of the gas oven; see How to use the gas oven, page 26.
4. Heat approximately 30 minutes.
5. Switch off oven; see How to use the gas oven, page 26.

Broil oven

1. Take all baking trays and wire shelf from the oven.
2. Close oven door.
3. Select highest power of the broil; see How to operate the broil, page 29.
4. Heat approximately 30 minutes.
5. Switch off broil; see How to operate the broil, page 29.

4 How to use the hob

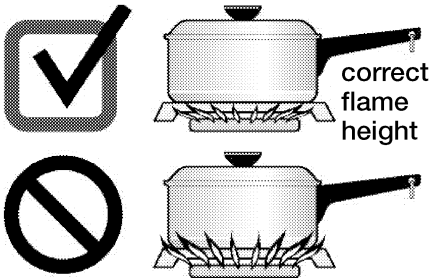
General information about cooking

⚠ WARNING: Risk of fire by overheated oil!

When you heat oil, do not leave it unattended.

Never try to extinguish the fire with water! When oil has caught fire, immediately cover the pot or pan with a lid. Switch off the hob if safe to do so and phone the fire service.

⚠ CAUTION: Never extend the flame beyond the outer edge of the cooking utensil. A higher flame wastes energy, and increases your risk of being burned by the flame



- Before frying foods, always dry them well and gently place into the hot oil. Ensure complete thawing of frozen foods before frying.
- Do not cover the vessel you use when heating oil.
- Do not place empty vessels and saucepans on cooking zones that are switched on. They might get damaged.
- Operating a cooking zone without a vessel or saucepan on it will cause damage to the product. Turn off the

cooking zones after the cooking is complete.

- As the surface of the product can be hot, do not put plastic and aluminum vessels on it.

Such vessels should not be used to keep foods either.

- Use flat bottomed saucepans or vessels only.
- Put appropriate amount of food in saucepans and pans. Thus, you will not have to make any unnecessary cleaning by preventing the dishes from overflowing.

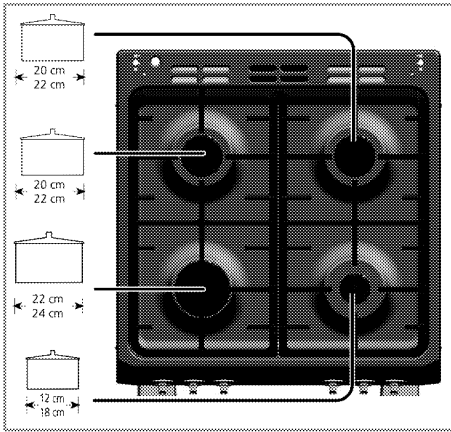
Do not put covers of saucepans or pans on cooking zones.

Place the saucepans in a manner so that they are centered on the cooking zone. When you want to move the saucepan onto another cooking zone, lift and place it onto the cooking zone you want instead of sliding it.

Gas cooking

- Size of the vessel and the flame must match each other. Adjust the gas flames so that they will not extend the bottom of the vessel and center the vessel on saucepan carrier.

Using the hobs



- 1 Normal burner 18-20 cm
- 2 Rapid burner 22-24 cm
- 3 Auxiliary burner 12-18 cm
- 4 Normal burner 18-20 cm is list of advised diameter of pots to be used on related burners.

Large flame symbol indicates the highest cooking power and small flame symbol In turned off position (top), gas is not supplied to the burners.

Igniting the gas burners

1. Keep burner knob pressed.
2. Turn it counter clockwise to large flame symbol.
2. Keep the knob pressed and turn it to large flame symbol.
An ignition spark is generated and the gas is ignited.
3. Adjust it to the desired cooking power.
4. If there is no electricity; ignite the gas with the gas lighter.

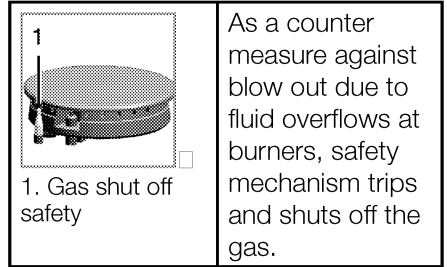
Turning off the gas burners

Turn the keep warm zone knob to off (upper) position.

Gas shut off safety system

As a counter measure against blow out due to fluid overflows at burners, safety mechanism trips and shuts off the gas.

1. Gas shut off safety



- Push the knob inwards and turn it counter clockwise to ignite.
- After the gas ignites, keep the knob pressed for 3-5 seconds more to engage the safety system.
- If the gas does not ignite after you press and release the knob, repeat the same procedure by keeping the knob pressed for 15 seconds.

⚠ CAUTION ! Risk of deflagration in case of unburned gas!

Do not press the knob for longer than 15 seconds if there was no ignition.

Wait for one minute and then repeat the ignition process.

5 How to Operate the Oven

General information on baking, roasting and broiling

DANGER:

Risk of scalding by hot steam!

Stand away from the cooker when opening oven door. Hot air or steam which escapes can cause burns to hands, face, and/or eyes.

Let hot air or steam escape before removing or replacing food.

Tips for baking

- Use non-stick coated appropriate metal plates or aluminum containers or heat-resistant silicone moulds.
- Make best use of the space on the rack.
- It is recommended to place the baking mould in the middle of the rack.
- Select the correct shelf position before turning the oven or broil on do not move oven shelves when hot.
- Always place oven racks in desired location while oven is cool. If rack must be moved while oven is hot, do not let potholder contact hot heating element in oven.
- Keep the oven door closed.

Tips for roasting

- Seasoning with lemon juice and black pepper will improve the cooking performance when cooking a whole chicken, turkey or a large piece of meat.
- Meat with bones takes about 15 to 30 minutes longer before it is cooked than a roast of the same size without bones.

- You should calculate about 4 to 5 minutes cooking time per centimeter height of the meat.
- Let meat rest in the oven for about 10 minutes after the cooking time. The juice is better distributed all over the roast and does not run out when the meat is cut.
- Fish in a fire-resistant dish should be placed on the rack at the medium or lower level.

Tips for broiling

Broiling is ideal for cooking meat, fish and poultry and will achieve a nice brown surface without it drying out to much. Flat pieces, meat skewers and sausages are particularly suited for broiling as are vegetables with a high water content such as tomatoes and onions.

- Distribute the pieces to be broiled on the wire shelf.
- If the broiling is on the wire shelf, locate a dripping pan under it in order to collect the fat.
- Add some water in dripping pan for easy cleaning.

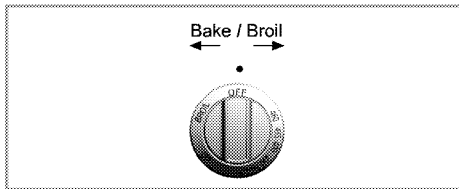
DANGER:

Fire danger due to food which is unsuitable for grilling!

Only use food for grilling which is suitable for intensive grilling heat.

Do not place the food too far in the back of the grill. This is the hottest area and fat food may catch fire.

How to use the gas oven



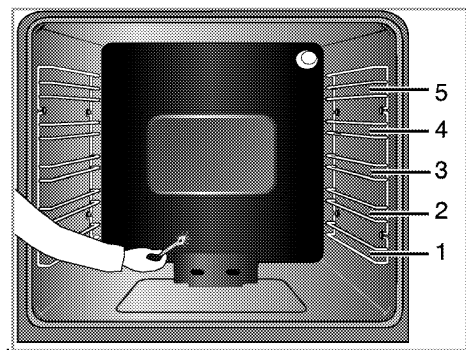
1 Oven knob

The gas oven is operated by the gas oven control knob. In off position (top) the gas supply is locked.

Switch on the gas oven

The gas oven is automatically ignited by means of the gas oven control knob.

1. Open oven door.
2. Keep gas oven control knob pressed and turn it counterclockwise.
An ignition spark is generated and the gas is ignited.
3. Keep the gas oven control knob pressed for another 3 to 5 seconds.
4. Be sure that gas has ignited and flame is present.
5. Select the desired baking power.
6. If there is no electricity; ignite the gas with the gas lighter from the ignition control hole



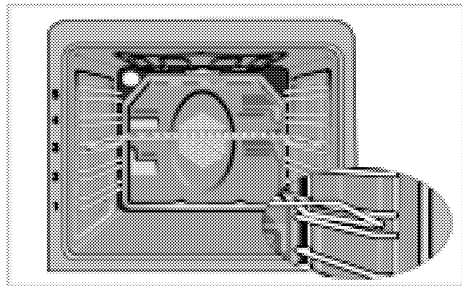
DANGER:

Risk of deflagration by gas that is not ignited!

"The device shall not be operated for more than 15 s. If after 15 s the burner has not lit, stop operating the device and open the compartment door and/or wait at least 1 min before attempting a further ignition of the burner."

Switch off the gas oven

1. End of cooking time, turn gas oven control knob to off position (top).



Shelf positions

It is important to position the wire shelf on side rack correctly. The wire shelf must be placed so that it will fit into the opening of the wire shelf as illustrated in the figure.

Cooking times table

IMPORTANT:

The values indicated in the table below are data indicative. They may vary according to the type of food as well as your preferences of cooking.

Baking and roasting

IMPORTANT:

Level 1 is the **bottom** level in the oven.

(Recommended) maximum load for the oven tray: 4 kg (8,8 lbs).

Food	Preheating *	Insertion level	Control knob position (F)	Cooking time
Apple pie	10 min.	3	350	60...70 min.
Fruit tart	10 min.	3	350	60...70 min.
Pie	10 min.	3	350	60...70 min.
Cookies	10 min.	4	350	30...40 min.
Pastry	10 min.	3...4	350	40...50 min.
Cake	10 min.	3	350	60...70 min.
Biscuits	10 min.	4	350	30...40 min.
Roast lamb	10 min.	4...5	435	35...45 min. per 450 g + 30 min.
Roast Beef	10 min.	3	435	100...130 min. per 450 g + 30 min.
Turkey	10 min.	3	435	100...130 min. per 450 g + 30 min.
Poultry	10 min.	3	435	100...130 min. per 450 g + 25 min.
Casseroles	10 min.	4	435	100...130 min. §
Fish	10 min.	3	350	45...55 min.
Macaroni	10 min.	4	350	50...55 min.
Small cakes	10 min.	3...4	350	40...50 min.
Victoria sandwich	10 min.	3	350	30...35 min.

* at control knob position 3 / § depending on quantity / # depending on size

Tips for baking cakes

1. If pastry is too dry,
 - » Increase the temperature by 50°F and reduce the cooking time.
2. If pastry dropped,
 - » Use less liquid or lower the temperature by 50°F.
3. If pastry is too dark on top,
 - » Place it on a lower rack, lower temperature, and increase the cooking time.
4. If cooked well on the inside but sticky on the outside,
 - » Use less liquid, lower the temperature, and increase the cooking time.

Tips for baking pastry

1. If the pastry is too dry,
 - » Increase the temperature some 50°F and decrease the cooking time.
 - » Dampen the layers of dough with a sauce composed of milk, oil, egg and yogurt.
2. If the pastry takes too long to bake,
 - » Make sure that the thickness of the pastry you have prepared does not exceed the depth of the tray and remain level with it.
3. If the upper side of the pastry gets browned, but the lower part is not cooked,
 - » Make sure that the amount of sauce you have used for the pastry is not too much at the bottom of the pastry. Try to scatter the sauce equally between and on the dough layers for an even browning.
 - » Cook the pastry in accordance with the mode and temperature given in the cooking table. If the bottom part is still not browned enough, place it on one-layer-lower shelf next time.

Tips for cooking vegetables

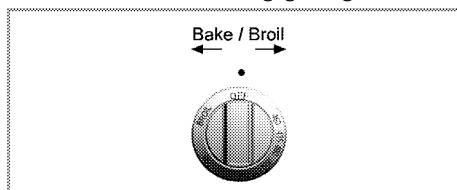
1. If the vegetable dish runs out of juice and gets to dry,
 - » Since using a lid during cooking will keep the juice of the dish in the pan, cook your vegetable dishes in a pan with a lid instead of a tray.
2. If a vegetable dish does not get cooked,
 - » Boil the vegetables beforehand or prepare them like canned food and put in the oven.

How to operate the broil

Hot surfaces may cause burns!

The grill is operated by the grill control knob. In off position (top) the gas supply is locked.

Close oven door during grilling.



Switch on broil

Grill ignited automatically with grill knob

1. Open oven door.
2. Keep the knob pressed and turn it clockwise to the Broil symbol
An ignition spark is generated and the gas is ignited.
3. Keep the knob pressed for 3 to 5 seconds more.
4. Be sure that ignited and flame occurred.
5. After flame is stable, close the door.

DANGER:

Risk of deflagration by gas that is not ignited!!

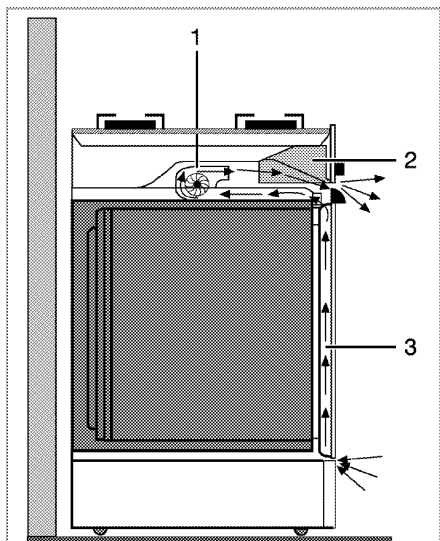
"The device shall not be operated for more than 15 s. If after 15 s the burner has not lit, stop operating the device and open the compartment door and/or wait at least 1 min before attempting a further ignition of the burner.

Switch off broil

1. Turn broil control knob to off position (top).

For equipment with a cooling fan

The cooling fan cools the front of the products.



⚠ NOTICE

The cooling fan continues to operate for about 20-30 minutes after the oven is switched off.

Shelf positions

For optimum broil coverage, position the wire shelf towards the front of the oven just out of contact with the glass door. Placing the wire shelf fully to the rear of the oven will reduce the broil coverage.

- Put small or medium-sized portions in correct shelf position under the broil heater for broiling.

Do not use upper level for boiling

Cooking times table for broiling Broiling with gas broil

Food	Preparation/setting	Grilling time #
Toasting of bread products	3...10 min.
Small cuts of meat, sausages, bacon, etc.	15...20 min.
Chops, gammon steaks, chicken pieces, etc.	Chicken with wire rack in upturned position.	20...25 min.
Whole fish, fish fillets, fish fingers	Whole fish and fish fillets placed in the base of the grill pan.	10...20 min.
Fish in breadcrumbs	15...20 min.
Pre-cooked potato products	15...20 min.
Pizza	Placed in the base of the grill pan.	12...15 min.
Grilling/browning of food	Dish placed directly on the base of the grill compartment.	8...10 min.
# depending on thickness		

6 Maintenance and Care

General information

DANGER:

Risk of electric shock!

Switch off the electricity and/or unplug supply cord before cleaning appliance to avoid an electric shock.

DANGER:

Hot surfaces may cause burns!

Allow the appliance to cool down before you clean it.

NOTICE:

The surface might get damaged by some detergents or cleaning materials.

Do not use aggressive detergents, cleaning powder/cream or any sharp objects.

Clean the appliance thoroughly after each use; in this way it will be possible to remove cooking residues more easily, thus avoiding these from burning the next time the appliance is used.

No special cleaning agents are required for cleaning the appliance. It is recommended to use warm water with washing liquid, a soft cloth or sponge and use a dry cloth for drying.

Do not use any abrasive cleaning materials!

IMPORTANT:

Do not use steam cleaners for cleaning.

How to clean the burner/plate

Gas hobs

1. Remove pan supports and burner caps and clean them.
2. Clean the hob.

3. Refit burner caps and check that they are securely positioned.
4. While placing pan supports, take care that burners are centered to pan supports.

Cleaning the control panel

Damage of the control panel!

Do not remove the control knobs for control panel cleaning.

Clean control panel and control knobs.

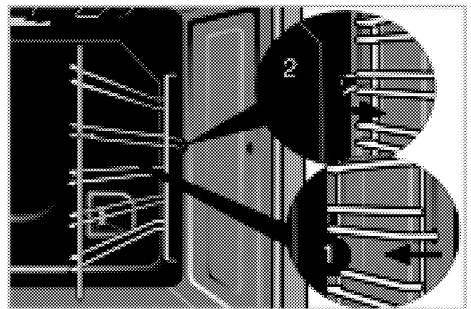
Cleaning the oven

No oven cleaner or any other special cleaning agent is required for cleaning the oven. It is recommended to wipe the oven with a damp cloth while it is still warm.

Do not allow fat or oils to build up in the oven base, or oven accessories.

To clean the side wall,

1. Remove the front section of the side rack by pulling it in the opposite direction of the side wall.
2. Remove the side rack completely by pulling it towards you.

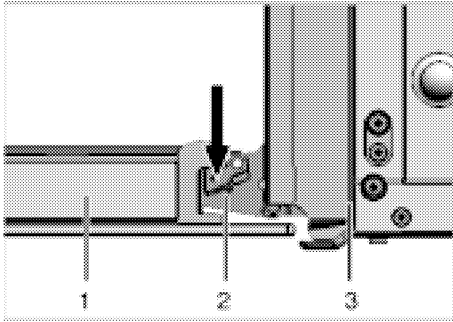


Clean oven door

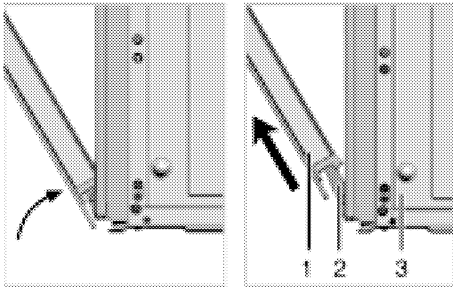
Don't use any harsh abrasive cleaners or sharp metal scrapers for cleaning the oven door. They could scratch the surface and destroy the glass.

Removal of oven door

1. Open the front door.
2. Open the clips at the hinge housing on the right and left hand sides of the front door by pressing them down as illustrated in the figure.



- 1 Front door
- 2 Hinge
- 3 Oven



3. Move the front door to half-way.
4. Remove the front door by pulling it upwards to release it from the right and left hinges.

Replacing the oven lamp

DANGER:

Hot surfaces may cause burns!

Make sure that the appliance is switched off and cooled down in order to avoid the risk of an electrical

shock.

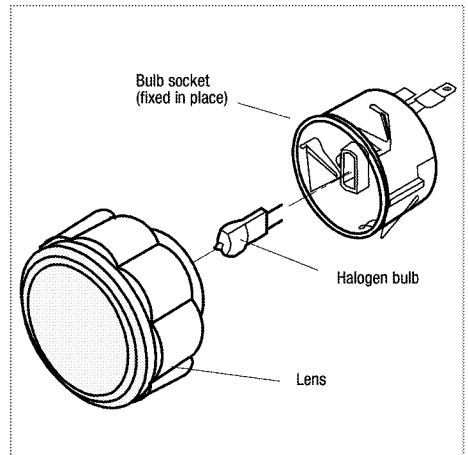
The lenses must be in place when using the oven.

The lenses serve to protect the light bulb from breaking.

The lenses are made of glass. Handle carefully to avoid breakage. Broken glass could cause an injury.

NOTICE:

Position of lamp might vary from diagram.



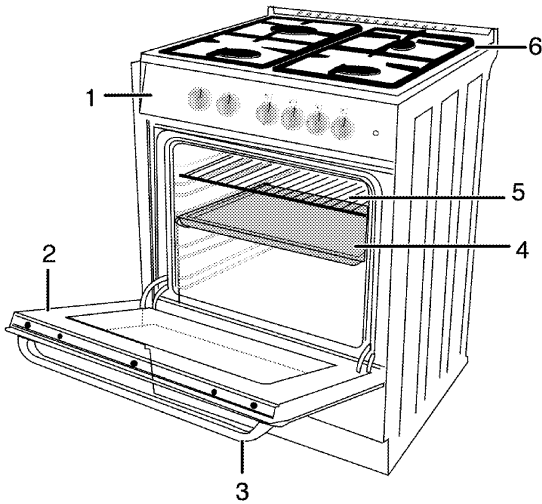
Each oven is equipped with two halogen lights located in the back wall of the oven. The lights are switched on when the door is opened or when the oven is in a cooking cycle. The oven lights are not illuminated during self clean. Each light assembly consist of a removable lens, a light bulb as well as a light socket housing that is fixed in place. Light bulb replacement is considered to be a routine maintenance item.

To replace a light bulb:

1. Read warning on this page.
2. Turn off power at the main power supply (your fuse or breaker box).

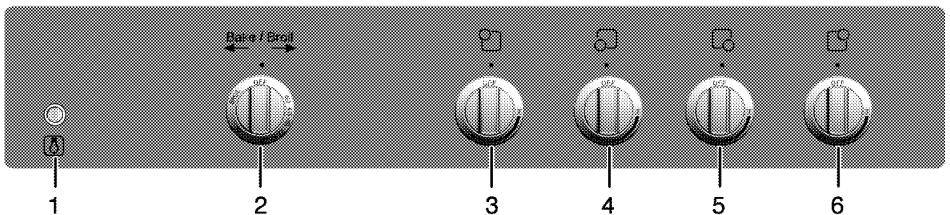
7 General Information

Overview



- 1 Control panel
- 2 Front door
- 3 Handle

- 4 Tray
- 5 Wire shelf
- 6 Burner platet



- 1 Lamp button
- 2 Bake/Broil knob
- 3 Rear left- Normal burner
- 4 Front left- Rapid burner

- 5 Front right- Auxiliary burner
- 6 Rear right- Normal burner

Technical Data

GENERAL	
Outer dimensions (height/width/depth)	33 1/3 x 23 1/2 x 23 1/2 inches
Voltage/frequency	110 - 120 V ~ 60 Hz
Cable type / cross section /length	DTR 4x10 AWG / max. 6 ft
Burners-	
Rear left	Normal burner
Power	6800 BTU/h
Front left	Rapid burner
Power	10000 BTU/h
Front right	Auxiliary burner
Power	3500 BTU/h
Rear right	Normal burner
Power	6800 BTU/h
Oven	Gas oven
Inside illumination	15-25 W
Oven power consumption	8500 BTU/h
Total power consumption	35600 BTU/h
Broil power consumption	7800 BTU/h

This appliance can be used with LP gas and Natural gas. It is shipped from the factory adjusted for use with 4" w.c natural gas. Conversion orifices are located in conversion kit. Follow the instructions packaged with the orifices for gas conversion.

Accessories supplied with the unit

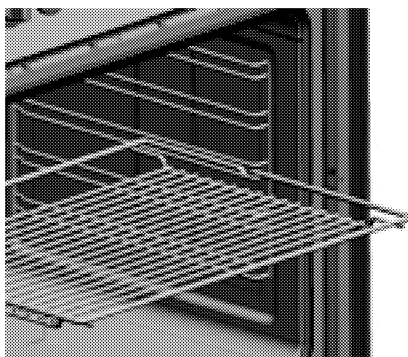
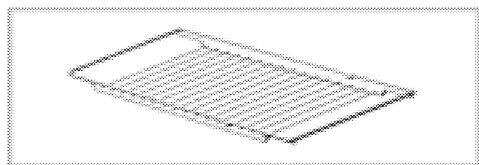
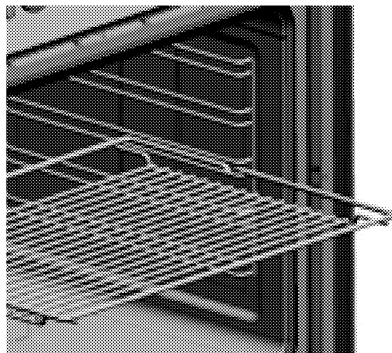
sure it is stable before putting a dish on it (Please see the following figure).

Important:

Accessories supplied can vary depending on the product model. All the accessories described in the user manual may not exist on your product.

Wire shelf

Can be used for roasting and as deposit for baking, roasting and casserole dishes.



Proper positioning of the wire shelf on sliding shelves.

It is important to position the broil and/or dripping pan on the wire shelves correctly. Slide the broil or the dripping pan completely between the 2 rails and make

Injector table

Position hob zone	2900 W	1000 W	2000 W	2000 W
Gas Type/ Gas pressure	Front left	Front right	Rear right	Rear left
Natural Gas 4"	1.55 mm	0.90 mm	1.25 mm	1.25 mm
LP Gas 11"	0.87 mm	0.50 mm	0.72 mm	0.72 mm
	OVEN		GRILL	
Natural Gas 4"	1.30 mm		1.30 mm	
LP Gas 11"	0.73 mm		0.73 mm	

8 Troubleshooting

DANGER

Risk of electric shock, short circuit or fire by unprofessional repairs!

Repairs on the appliance must be carried out by an approved service centre.

Normal operating conditions

- Smoke and smell may emit for a couple of hours during the first operation.
- It is normal that steam escapes during operation.
- When the metal parts are heated, they may expand and cause noise.

Before you call the service, please check the following points

Electrical equipment

Malfunction/problem	Possible cause	Advice/remedy
The appliance does not work.	The mains fuse is defective or has tripped.	Check fuses in the fuse box. If necessary, replace or reset them.
	Appliance's plug can not be connected to the grounded socket.	Check the plug connection.
	Timer buttons do not work.	Keylock may be enabled. Please disable it(See; How to use the program lock,
Oven light does not work	Oven lamp is defective.	Replace oven lamp.
	No current.	Check fuses in the fuse box. If necessary, replace or reset them.
Oven does not heat.	Function knob and/thermostat knob are not set.	Set function knob and thermostat knob.
	If the appliance has a timer, the timer may not be set.	Set the time.
	No power.	Check main power supply and fuse box.

If the problem has not been solved:

1. Separate unit from the mains supply (deactivate or unscrew fuse).
2. Call the after-sales service of your store reseller.

IMPORTANT:

Do not attempt to repair the appliance yourself. There are no customer service items inside the appliance.

9 Warranty Statement for electric and gas ranges

The warranties provided by Blomberg in these statements only apply to Blomberg electric and gas ranges sold to the original purchaser or homeowner in the US and Canada. This warranty is not transferable.

To obtain warranty service, please contact our nearest distributor as listed by state or call 1800-459-9848. You will need your electric or gas range model number, serial number, retailer name and address, where purchased and purchase date / installation date.

This warranty gives you specific legal rights, and you may also have other rights which vary from state to state.

All warranties stated below are based upon normal household use. **The use of the product in a commercial setting will void all warranties.**

Service must also be performed by an authorized Blomberg Service Agency.

Cosmetic defects must be reported within 10 business days from installation

1 year * limited warranty from date of first installation Blomberg will repair or replace at no cost to the consumer any defective parts of the electric and gas ranges and the labor incurred.

2 year * ++ limited warranty from date of first installation (Parts only) Blomberg will repair or replace any parts at no cost to the consumer if material defects or workmanship have caused the damage or failure of these components. Labor charges are the responsibility of the consumer

2-5 year * ++ limited warranty from date of first installation (Parts only) Blomberg will repair or replace oven cavity at no cost to the consumer if material defects or workmanship have caused the damage or failure of these components.

Labor charges are the responsibility of the consumer

Disclaimers of warranties and exclusions:

Warranty does not cover service costs by an authorized service agent to correct installation, electrical problems or educational instruction on the use of the electric and gas ranges. The warranty also does not cover defects or damage caused by an act of god (such as storms, floods, fires, mudslides, etc.), damage cause by use of the electric and gas ranges for purposes other than those for which it was designed, misuse, abuse, accident, alteration, improper installation, maintenance, travel fees, service calls outside normal service hours, unauthorized service work or work.

This product is fully tested and went through official quality assurance inspections before leaving the original manufacturing site.

Warranty terms for this Blomberg household appliance is not valid if the product is altered, tampered, modified, additional parts assembled, fixed and repacked by an authorized distributor, servicer, a third party retailer, reseller or by any other unauthorized person(s).

TO THE EXTENT PERMITTED BY LAW, THIS WARRANTY IS IN LIEU OF ALL OTHER EXPRESSED AND IMPLIED WARRANTIES, INCLUDING THE IMPLIED WARRANTIES OF MERCHANTABILITY AND FITNESS FOR A PARTICULAR PURPOSE. BLOMBERG UNDERTAKES NO RESPONSIBILITY FOR THE QUALITY OF THIS PRODUCT EXCEPT AS OTHERWISE PROVIDED IN THIS WARRANTY STATEMENT. BLOMBERG ASSUMES NO RESPONSIBILITY THAT THE PRODUCT WILL BE FIT FOR ANY PARTICULAR PURPOSE FOR WHICH YOU MAY BE BUYING THIS PRODUCT, EXCEPT AS OTHERWISE PROVIDED IN THIS WARRANTY STATEMENT.

Blomberg does not assume any responsibility for incidental or consequential damages. Such damages include, but are not limited to, loss of profits, loss of savings or revenue, loss of use of the cooker or any associated equipment, cost of capital, cost of any substitute equipment, facilities or services, downtime, the claims of third parties, and injury to property. Some states do not allow the exclusion or limitation of incidental or consequential damages, so the above limitations or exclusion may not apply to you.

* Installation date shall refer to either purchase date or 5 business days after delivery of the product to the home, whichever is later.

++Parts replaced will assume the identity of the original parts and their original warranty.

No Other Warranties. This Warranty Statement is the complete and exclusive

warranty from the manufacturer. No employee of Blomberg or any other party is authorized to make any warranty statements in addition to those made in this Warranty Statement.

Please keep this warranty card, user manual and your sales slip for future reference.

HOW TO GET SERVICE

Please contact the Distributor for your State or Province as listed on the Distributor Contact List, or call our Toll Free Number at 1 800 459 9848 for direction to an Authorized Blomberg Service Agent. 02 01

⚠ AVERTISSEMENT : Si les informations contenues dans ce manuel ne sont pas suivies avec précision, un incendie ou une explosion peut provoquer des dommages matériels, des blessures corporelles voire la mort.

- N'entreposez pas ni utilisez d'essence ni d'autres vapeurs et liquides inflammables à proximité de cet appareil ou tout autre appareil.


QUE FAIRE SI VOUS SENTEZ UNE ODEUR DE GAZ

- N'allumez aucun appareil.
 - Ne touchez aucun interrupteur électrique;
 - N'utilisez aucun téléphone ni téléphone cellulaire dans l'immeuble.
 - Appelez immédiatement votre fournisseur de gaz depuis un voisin. Suivez les instructions du fournisseur.
 - Si vous ne pouvez pas joindre le fournisseur de gaz, appelez le service d'incendie.
- L'installation et l'entretien doivent être assurés par un installateur qualifié, un service d'entretien ou par le fournisseur de gaz.



Intertek

Consignes de sécurité importantes

 AVERTISSEMENT Si l'information de ce manuel n'est pas suivie exactement, un feu ou une explosion peut en résulter, causant des dommages à la propriété, des blessures personnelles ou la mort.

AVERTISSEMENT

Danger de basculer



"Un enfant ou un adulte pour faire basculer l'appareil et être tué.
Installer le dispositif anti-basculement à la structure et/ou à l'appareil."

"Engager l'appareil au dispositif anti-basculement par des supports anti-basculement fournis avec le four tel que montré dans les Figures.2 et 3."



"Réengager le dispositif anti-basculement si l'appareil a été bougé.
Installer le dispositif anti-basculement fourni avec l'appareil.
Voir les instructions d'installation."

"Un manquement à suivre ces instructions peuvent résulter dans la mort ou dans de sérieuses brûlures aux enfants ou aux adultes."



Ne pas faire fonctionner l'appareil sans un dispositif anti-basculement en place et enclenché.

Après une installation prudente, agripper le derrière de l'appareil pour vous assurer que le support anti-basculement est enclenché au pied arrière de l'appareil."

Cet appareil est destiné à une utilisation domestique normale seulement. Ce n'est pas approuvé pour l'extérieur ou tout autre utilisation non-domestique (incluant les vaisseaux de mer ou des airs.) Voir la Déclaration de Garantie Limitée. Pour toute question, contacter le manufacturier.

Ne pas réparer ou remplacer toute pièce de l'appareil sauf si c'est recommandé spécifiquement dans ce manuel. Référer tout service à une usine de centre de service autorisé.

Explications des symboles

Les symboles suivants sont utilisés dans ce Manuel de l'utilisateur:



Information importante ou conseils utiles concernant l'utilisation.



Avertissements concernant des situations dangereuses à l'égard de la

vie ou de la propriété.



Avertissement concernant les chocs électriques.



Avertissement concernant les risques de feu.



Avertissement concernant les surfaces chaudes.



Veillez lire ces instructions avant l'installation ou l'utilisation de votre appareil!

Cher Consommateur,

Nous aimerions que vous obteniez la meilleure performance de votre produit qui a été manufacturé dans des installations modernes et passé à travers des procédures strictes de contrôle de la qualité.

Toutefois, nous vous demandons de lire ce manuel de l'utilisateur soigneusement avant d'utiliser votre produit et gardez-le comme référence future. Si vous donnez ce produit à quelqu'un d'autre, donnez-lui le manuel de l'utilisateur également.

Le manuel de l'utilisateur vous aidera à utiliser le produit d'une manière rapide et sécuritaire.



IMPORTANT:

Sauvegarder ces instructions pour l'utilisation par des inspecteurs en électricité locaux.

Les inspections vous aideront à faire fonctionner l'appareil rapidement et sécuritairement.

- Lors de la livraison, vérifier que l'appareil n'est pas endommagé. Si vous notez tout dommage de transport, veuillez contacter votre point de vente immédiatement et ne connectez pas ni ne faites pas fonctionner l'appareil!
- Avant que vous ne connectiez et fassiez fonctionner l'appareil, veuillez lire ce manuel et tous les documents inclus. Veuillez prendre note en particulier de ces instructions de sécurité.
- Gardez tous les documents auxquels vous pouvez vous référer encore dans le futur. Veuillez garder votre reçu pour toutes réparations qui pourraient être requises durant la garantie.
- Lorsque vous donnez votre appareil à une autre personne, veuillez lui fournir tous les documents inclus lors de la date d'achat originale. La garantie n'est plus valide si le produit est vendu de seconde main.
- Si vous décidez de ne plus utiliser cet appareil (ou décidez de substituer un modèle plus ancien), avant de disposer de celui-ci, il est recommandé de le rendre inopérant de manière appropriée en accord avec les règlements de protection environnementaux et sanitaires, en vous assurant en particulier que toutes les pièces potentiellement dangereuses sont devenues inoffensives, spécialement par rapport aux enfants qui pourraient jouer avec les vieux appareils. Enlever la porte et le tiroir réchaud avant l'évacuation pour prévenir le piégeage.

Table de matières

1 Instructions concernant la sécurité	6	Cuir au four et rôtir.	32
Mises en garde pour les enfants	8	Comment faire fonctionner l'élément de grillage.	34
Mises en garde en travaillant avec l'électricité	8	Tableau de temps de cuisson pour griller	35
Utilisation prévue	10	6 Entretien et maintenance	36
Élimination.	10	Renseignements généraux	36
Fournitures d'emballage	10	Comment nettoyer la table de cuisson.	36
Déplacement futur.	10	Brûleurs à gaz	36
2 Installation	11	Nettoyage du four	36
Installation et connexion	14	Remplacer la lampe du four.	37
Dégagements et dimensions	14	7 Renseignements généraux	39
Cet appareil n'est pas destiné à l'utilisation dans des maisons mobiles, ni dans des véhicules récréatifs.	14	Vue d'ensemble.	39
Notes importantes pour l'installateur	14	Données techniques	40
Instructions d'installation du dispositif anti-basculement	16	8 Dépannage	42
Connexion à l'alimentation principale	23	Équipement électrique.	42
3 Préparation	26	9 Déclaration de garantie pour les cuisinières électriques et à gaz Blomberg	44
Conseils pour économiser de l'énergie	26		
Mise en marche initiale	26		
Four à gaz.	26		
4 Comment utiliser la plaque de cuisson	28		
5 Comment faire fonctionner le four	30		
Renseignements généraux pour cuire, rôtir et griller	30		
Conseils pour la cuisson au four	30		
Conseils pour rôtir	30		
Conseils pour le grillage.	30		
Comment utiliser le four à gaz	31		
Éteindre le four à gaz.	31		
Tableau de temps de cuisson	31		

1 Instructions concernant la sécurité


Consignes de sécurité de base

- Cet appareil électroménager n'est pas destiné à l'usage de personnes (y compris des enfants) souffrant d'un handicap physique ou mental, d'une déficience sensorielle, ou ne disposant pas de l'expérience ou du savoir nécessaires au fonctionnement de cet appareil, à moins qu'une personne responsable de leur sécurité ne leur ait expliqué comment l'utiliser ou les surveille lors de l'utilisation.

Les enfants doivent être surveillés pour s'assurer qu'ils ne jouent pas avec l'appareil.

- N'utilisez pas l'appareil lorsque votre capacité mentale ou de coordination est affaiblie par l'usage d'alcool et/ou de médicaments.
- Ne faites pas fonctionner l'appareil s'il est défectueux ou montre des dommages visibles.
- N'effectuez pas de réparation ni de modification sur l'appareil. Cependant, vous pouvez remédier à certains dysfonctionnements; consultez la rubrique Dépannage, page 38.
- Seules les pièces de rechange autorisées peuvent être utilisées en effectuant une réparation sur la cuisinière. Les pièces de rechange sont disponibles auprès d'un concessionnaire de pièces agréé par l'usine. Contactez le concessionnaire de pièces le plus près de chez vous.
- Soyez prudent lors de l'utilisation d'alcool dans vos plats. L'alcool s'évapore à des températures élevées et peut provoquer un incendie puisque l'alcool prend feu quand il est en contact avec des surfaces chaudes.

- Ne réchauffez pas de bocaux en verre ni de récipients alimentaires enfermés. La pression peut s'accumuler dans le bocal provoquant son éclatement.
- Gardez l'appareil à l'écart et exempt de toute matière combustible, de l'essence et de toute autre vapeur.
- Veillez à ce qu'aucun des matériaux inflammables ne soit à proximité de l'appareil puisque les côtés deviennent chauds pendant l'utilisation.
- **Risque d'incendie!** Ne rangez pas de matériaux inflammables dans le four et/ou dans le tiroir-réchaud.
- **N'utilisez jamais de l'eau pour éteindre un feu de graisse.** Étouffez les flammes ou utilisez un extincteur à poudre ou à mousse.
- Ne laissez pas les casseroles sur les brûleurs allumés. Elles peuvent devenir endommagées.
- Ne laissez pas de récipients en aluminium ou en plastique sur la surface de l'appareil qui peut être chaude. De plus, ces types de récipients ne devront pas être utilisés pour conserver les aliments.

 **IMPORTANT :** Ne couvrez jamais les fentes, trous ou parois du four ni ne couvrez une grille entière avec du papier d'aluminium. Cela bloque l'air dans le four et peut provoquer une intoxication au monoxyde de carbone. Un revêtement en papier d'aluminium peut également emprisonner la chaleur, provoquant un

incendie.

- N'utilisez pas de revêtement en aluminium pour couvrir les cuvettes ramasse-gouttes ni le fond du four à moins d'indication contraire dans le manuel. Une mauvaise installation de ces revêtements peut entraîner un risque de décharge électrique, et/ou d'incendie.
- Le fabricant décline toute responsabilité pour les blessures aux personnes ou dommages aux biens causés par une utilisation incorrecte ou inappropriée de l'appareil.
- Utilisez toujours uniquement des poignées sèches ou des gants isolants lors de l'insertion ou le retrait des casseroles dans/à partir de votre four. Ne laissez pas les poignées toucher les éléments chauffants. N'utilisez pas une serviette ni d'autre chiffon volumineux.
- N'utilisez pas le four avec la porte en verre avant enlevée ou brisée.
- La surface arrière du four devient chaude lors de l'utilisation. La connexion électrique ne doit pas toucher la surface arrière, autrement le câble d'alimentation principal sera endommagé. Assurez-vous que le câble principal n'est pas pris entre la porte du four chaud et le cadre. N'acheminez pas le câble principal sur la section de cuisson chaude. Autrement, l'isolant du câble peut fondre et provoquer un incendie en raison d'un court circuit.
- Ne portez jamais de vêtements lâches pendant l'utilisation de l'appareil. Soyez prudent en retirant les articles rangés dans les cabinets au-dessus de la cuisinière. Tenez les matériaux inflammables loin des surfaces chaudes ou des éléments chauffants en raison d'un risque de s'enflammer et causants de graves brûlures. .
- La flamme dans le four peut être étouffée complètement en fermant la porte du four et éteignant le four ou en utilisant un extincteur à mousse ou à poudre polyvalente.
- Placez la grille du four dans la position désirée tandis que le four est froid. Si les grilles doivent être manipulées à chaud, ne laissez pas les poignées venir en contact avec les éléments chauffants.
- Retirer la grille jusqu'à ce qu'elle s'arrête grâce à l'arrêt de blocage est commode pour soulever les aliments pesants. C'est également une précaution contre les brûlures en touchant les surfaces chaudes de la porte ou des parois du four.
- N'utilisez pas le four pour sécher les journaux. Si surchauffés, ils peuvent prendre feu.
- Après la cuisson au grilloir, retirez toujours le gril-lèche-frite du four et nettoyez-le. Les restes de graisse dans un gril-lèche-frite peuvent prendre feu la prochaine fois que vous utiliser le gril-lèche-frite.
- Vérifiez que tous les boutons de réglages de l'appareil sont à la position d'arrêt après usage.



IMPORTANT : Appelez un service autorisé pour l'installation de votre appareil afin que vous puissiez l'utiliser. Après cette procédure, la période de garantie débutera.

Mises en garde pour les enfants

⚠ **AVERTISSEMENT :**

Marcher, s'appuyer ou s'asseoir sur la porte ou les tiroirs de cette cuisinière peut entraîner de graves blessures et du dommage à la cuisinière. Ne permettez pas aux enfants de grimper ou de jouer autour de la cuisinière. Le poids d'un enfant sur la porte ouverte peut faire basculer la cuisinière, entraînant de graves brûlures ou autres blessures.

- Les pièces accessibles peuvent être chaudes lorsque l'élément de grillage est utilisé. Les petits enfants doivent être tenus hors de portée.
- La surface des brûleurs peut être chaude même si elle est de couleur foncée. Les endroits près de la surface des brûleurs peuvent devenir assez chauds pour causer des brûlures. Pendant et après usage, ne touchez pas ni laissez des vêtements, ni d'autres matériaux inflammables prennent contact avec la surface des brûleurs jusqu'à ce ces derniers aient eu suffisamment de temps pour refroidir. Parmi ces endroits, la table de cuisson et les surfaces devant la table de cuisson y sont comprises dans la mise en garde de surface chaude.

⚠ **AVERTISSEMENT :** Ne rangez pas des articles d'intérêt aux enfants dans les cabinets au-dessus de la cuisinière ou sur le dossier de la cuisinière. Les enfants grimpaient sur la cuisinière pour atteindre

ces articles risquent de se blesser gravement.

- Les fournitures d'emballage sont dangereuses pour les enfants. Tenez les fournitures d'emballage hors de la portée des enfants. Veuillez jeter les fournitures d'emballage en respectant les normes relatives à l'environnement.

Mises en garde en travaillant avec l'électricité

⚠ **AVERTISSEMENT :** Avant d'installer, coupez le courant au panneau de distribution. Verrouillez le panneau de distribution afin d'empêcher sa mise sous tension accidentellement.

⚠ **AVERTISSEMENT :** Une décharge électrique peut se produire et causer des blessures graves voire la mort si la cuisinière n'est pas installée par un installateur ou un électricien qualifié.

Tous les ajouts, modifications ou conversions nécessaires pour que cet appareil réponde de façon satisfaisante aux besoins de demande doivent être faits par un technicien qualifié.

- En cas de dommage, éteignez l'appareil et débranchez-le de la prise d'alimentation ou vous pouvez soit retirer le fusible du panneau de distribution ou couper l'alimentation au disjoncteur.
- Assurez-vous que le calibre du fusible est correct.
- Ne faites pas fonctionner l'appareil pieds nus.
- Ne touchez jamais l'appareil avec les mains ou les pieds mouillés.

Mises en garde en travaillant avec le gaz

⚠ AVERTISSEMENT : Pour réduire le risque des blessures en cas d'incendie de graisse, observez ce qui suit :

- Éteignez les flammes à l'aide d'un couvercle, d'une plaque à biscuit, ou d'un plateau en métal, puis éteignez le brûleur. Agissez avec prudence afin d'éviter les brûlures. Si les flammes ne s'éteignent pas immédiatement, quittez les lieux et appelez le service d'incendie.
- Ne soulevez jamais un poêle à flamber — Vous risquez de vous brûler.

N'utilisez pas d'eau, ni de serviettes ou de chiffons mouillés — une explosion de vapeur violente pourrait en résulter.

Utilisez un extincteur d'incendie seulement si :

- 1) Vous savez que vous avez un extincteur de CLASSE ABC et vous savez comment vous en servir.
- 2) L'incendie est petit et confiné dans un endroit où il a commencé.
- 3) Le service d'incendie est appelé.
- 4) Vous pouvez combattre l'incendie en ayant le dos tourné vers une sortie.

⚠ AVERTISSEMENT : Si les informations contenues dans ce manuel ne sont pas suivies avec précision, un incendie ou une explosion peut provoquer des dommages matériels, des blessures corporelles voire la mort.

- Les travaux sur les équipements et systèmes de gaz peuvent seulement être effectués par des personnes

qualifiés ou autorisées à cette fin.

- Avant l'installation, assurez-vous que les conditions locales de distribution du gaz (type de gaz et pression de gaz) et les ajustements de l'appareil soient compatibles.
- Cet appareil n'est pas connecté à un dispositif d'évacuation de produits combustibles. Il sera installé et connecté conformément aux normes d'installation en vigueur.
- **ⓘ ATTENTION :** L'utilisation de l'appareil de cuisson en résulte à la production de chaleur et d'humidité dans la pièce où ce dernier est installé. Assurez-vous que la cuisine est bien aérée : assurez que les trous d'aération naturelle sont ouverts ou installez un dispositif de ventilation forcée (hotte à extraction d'air). Une utilisation prolongée de l'appareil peut faire appel à une ventilation additionnelle, par exemple l'augmentation du niveau de l'aération forcée si présent.
- Les appareils et systèmes de gaz doivent être vérifiés régulièrement pour un fonctionnement adéquat. Prenez des dispositions pour un entretien annuel.
- Nettoyez les brûleurs régulièrement. Les flammes doivent être bleues et brûler uniformément.
- Une bonne combustion est requise pour les appareils à gaz. Le monoxyde de carbone (CO) peut survenir où il y a une combustion incomplète. Le monoxyde de carbone est un gaz inodore, incolore et très toxique qui a un effet mortel même en de très petites doses.

- Obtenez des renseignements de votre fournisseur à gaz local sur les numéros d'appel des secours et sur les mesures de sécurité en cas d'odeur de gaz.

Utilisation prévue

⚠ AVERTISSEMENT : Utilisez cet appareil uniquement pour son usage prévu comme décrit dans le présent manuel. N'utilisez JAMAIS cet appareil comme un appareil de chauffage pour chauffer ou réchauffer la pièce. Cela peut entraîner une intoxication au monoxyde de carbone et une surchauffe de l'appareil. N'utilisez jamais cet appareil pour stockage.

Cet appareil ne doit pas être utilisé pour réchauffer les assiettes sous le gril, accrocher des serviettes et torchons sur les poignées, ni pour sécher et chauffer les locaux.

Toutes ouvertures dans les murs derrière l'appareil et dans le plancher sous l'appareil doivent être bouchées.

Cet appareil n'est pas destiné à l'utilisation dans des maisons mobiles, ni dans des véhicules récréatifs.

N'obstruez pas le débit d'air de ventilation. Le fabricant ne sera pas tenu responsable de tout dommage causé à la suite d'un usage inapproprié ou des erreurs de manipulation.

L'appareil peut être utilisé pour dégeler, cuire au four, rôtir et griller les aliments.

Élimination

Fournitures d'emballage

⚠ DANGER : Tenez les fournitures d'emballage hors de portée des enfants car ils posent un risque d'étouffement!

Les fournitures d'emballage (par ex. sacs en plastique, mousse de polystyrène, clous, sangles d'emballage, etc.) ne devront pas être accessibles aux enfants puisqu'ils peuvent provoquer de graves blessures.

Les fournitures d'emballage et les verrous de transport sont fabriqués de matériaux qui ne sont pas nocifs à l'environnement. Veuillez jeter toutes les pièces d'emballage en respectant les normes relatives à l'environnement.

Déplacement futur

N'effectuez pas des opérations de nettoyage ou de maintenance sur l'appareil sans l'avoir débranché au préalable de l'alimentation électrique.

① REMARQUE : Ne placez pas d'autres objets sur le dessus de l'appareil. L'appareil doit être transporté à la verticale.

Rangez la boîte originale de l'appareil afin de le transporter dans sa boîte d'origine. Suivez la direction des flèches imprimées sur le carton.

⚠ IMPORTANT : Vérifiez l'apparence générale de votre équipement en identifiant tout dommage possible de ce dernier pendant le transport.

Pour éviter que la porte du four soit endommagée par les grilles, placez une bande de carton en position entre la porte du four d'où s'alignent les grilles. Fixez la porte du four aux parois latérales à l'aide de bande adhésive.

Si vous n'avez pas la boîte originale

Emballer l'appareil dans un film à bulles d'air ou carton épais et fixez solidement à l'aide de bande adhésive afin d'éviter des dommages pendant le transport.

2 Installation

Afin d'assurer un écart adéquat sous l'appareil, nous recommandons que cet appareil soit monté sur une base solide et que les pieds ne s'enfoncent pas dans un tapis ou couvre-sol.

Le plancher de la cuisine doit être suffisamment solide pour supporter le poids de l'appareil ainsi que le poids supplémentaire des ustensiles de cuisson et de la nourriture.

- Si une hotte aspirante doit être installée, consultez les instructions du fabricant concernant la hauteur du montage.
- L'appareil correspond au dispositif de classe 1, par exemple il peut être positionné avec l'arrière et **un** côté des murs de cuisine, au meuble de cuisine ou équipement de n'importe quelle taille. Le meuble de cuisine ou l'équipement de l'**autre** côté peut seulement être de la même taille ou plus petit.
- Tout meuble de cuisine à proximité de l'appareil doit être résistant à la chaleur (100 °C (212 °F) au minimum).

Ventilation de la pièce

L'air pour la combustion est pris de la pièce et les gaz de combustion sont émis directement dans la pièce.

Une bonne ventilation dans la pièce est essentielle pour le fonctionnement en toute sécurité de votre appareil. S'il n'y a pas de fenêtre ou de porte de disponible pour la ventilation de la pièce, un dispositif de ventilation supplémentaire doit être installé.

N'installez pas cet appareil dans une pièce sous le niveau du sol que si elle est ouverte au niveau du sol sur au moins un côté. Le défaut d'installer correctement est dangereux et pourrait entraîner à une poursuite judiciaire.

Une utilisation intensive prolongée de l'appareil peut faire appel pour une ventilation additionnelle, par exemple l'ouverture d'une fenêtre, ou l'utilisation d'un système de ventilation mécanique à fixation permanente, par exemple, un ventilateur d'extraction ou une hotte de cuisine qui ventile vers l'extérieur.

Dimension de la pièce	Ouverture pour la ventilation
plus petite que 5 m ³	min 100 cm ²
5 m ³ à 10 m ³	min 50 cm ²
plus grande que 10 m ³	aucune requise
dans la cave ou le sous-sol	min 65 cm ²

Assurez-vous que votre appareil est correctement installé et mis à la terre par un technicien qualifié conformément à l'édition courante du National Fuel Code ANSI Z223 ou au Canada, avec les exigences de la norme CAN/CGA B149.1 et CAN/CGA B149.2 des codes d'installation, et conformément à la dernière édition du National Electrical Code ANSI/NFPA no 70, ou au Canada, l'édition courante du Code canadien de l'électricité (CSA C22.1), partie 1, et avec toutes les exigences des codes locaux.

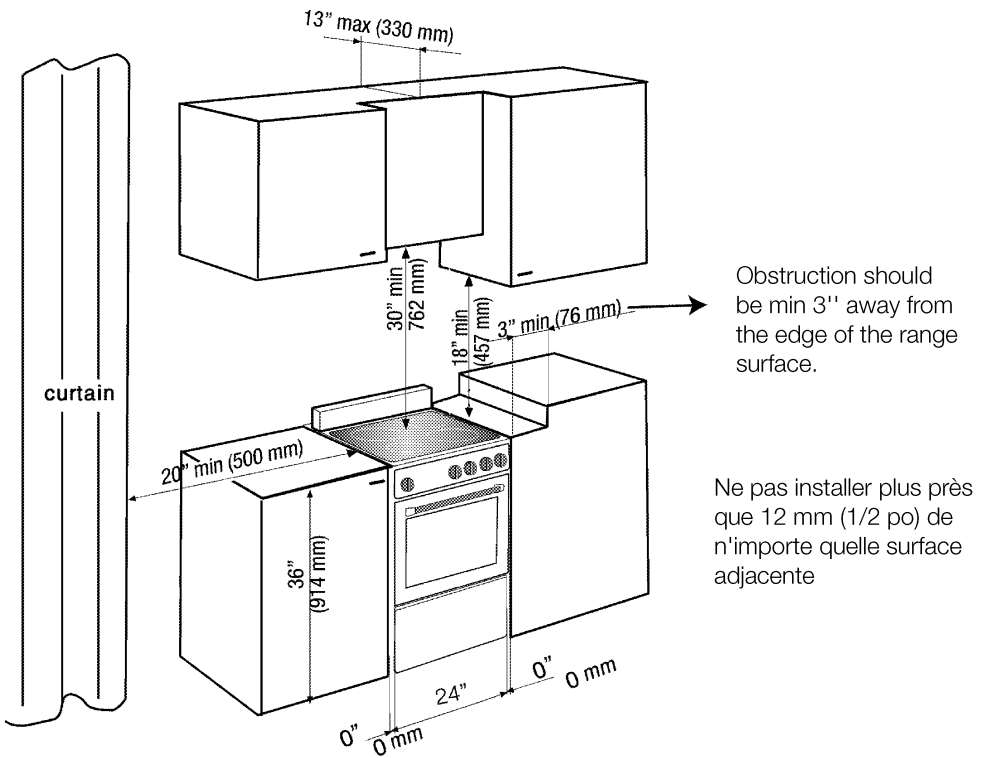


Fig. 1

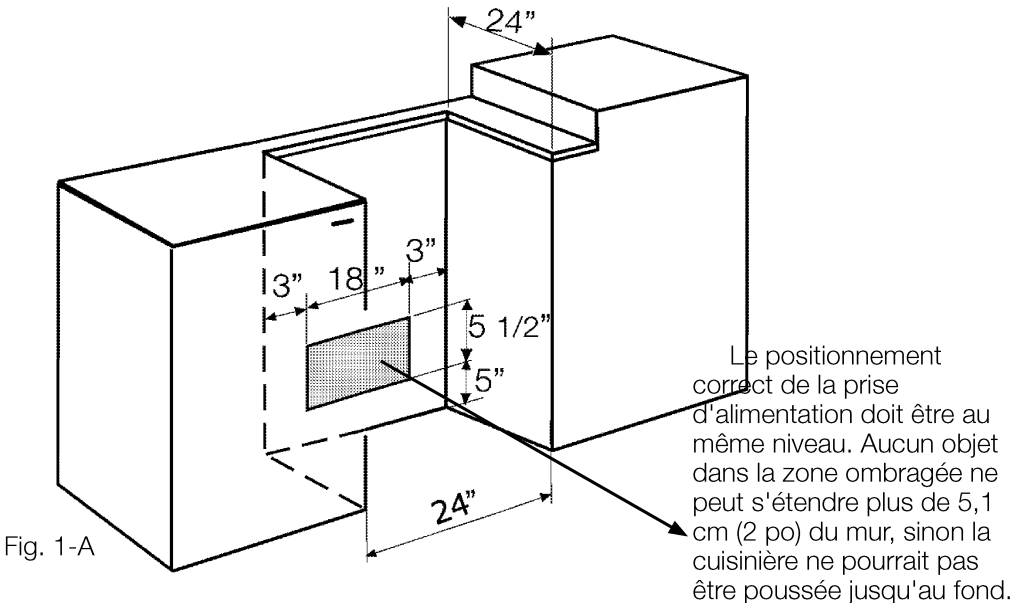
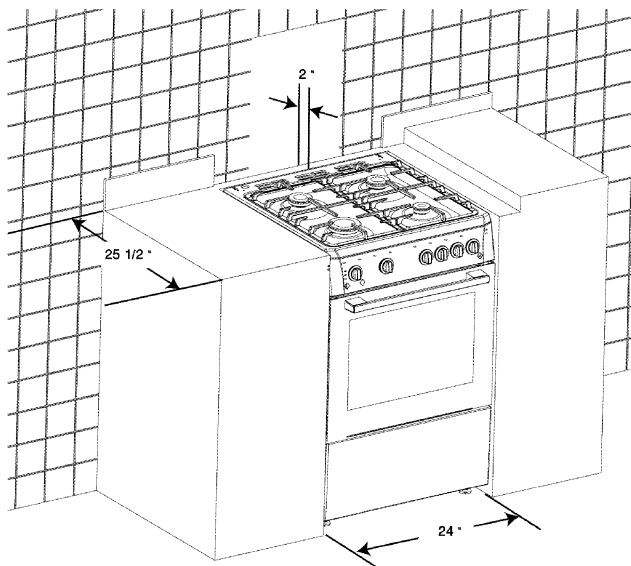
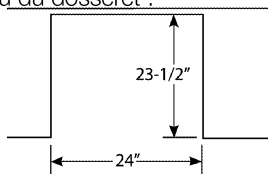


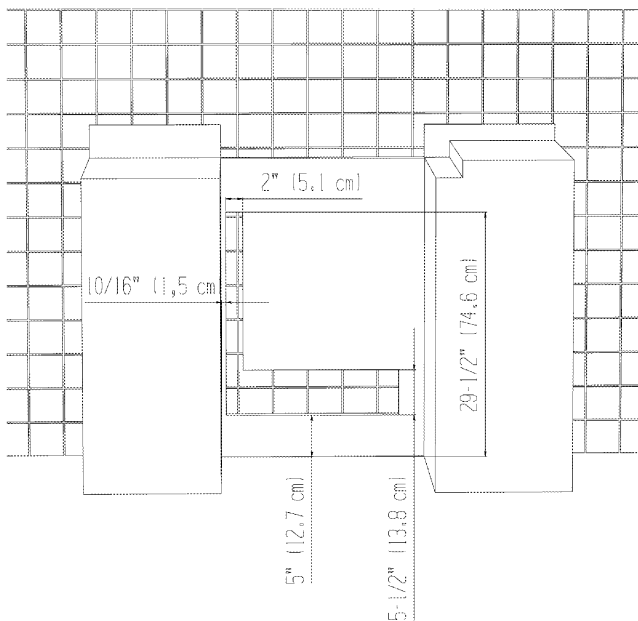
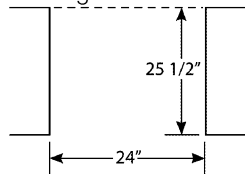
Fig. 1-A



En cas de NON utilisation de la bande de bourrage ou du dossieret :



En cas d'utilisation de la bande de bourrage ou du dossieret :



Installation et connexion

⚠ IMPORTANT : N'installez pas l'appareil à proximité des réfrigérateurs ou congélateurs. La chaleur émise par l'appareil entraînera à une consommation d'énergie accrue des appareils de refroidissement.

- Pour l'installation, l'appareil doit être connecté en conformité avec toutes les normes électriques et/ou de gaz locales.

i ATTENTION : L'appareil est lourd et nécessite au moins deux personnes ou un équipement adéquat pour le déplacer.

i REMARQUE :

Dommages matériaux!

La porte et/ou la poignée ne doivent pas être utilisées pour soulever ou déplacer l'appareil.

- L'appareil doit être placé directement sur le plancher. Il ne doit pas être placé sur un socle.

Dégagements et dimensions

Les dimensions comme indiqué sur la figure doivent être utilisées. Les dimensions indiquées assurent un dégagement minimum. Il doit y avoir un dégagement minimal de 76 cm (30 po) entre le dessus de la surface de cuisson et le bas des armoires en bois ou métal non protégé ou un minimum de 61 cm (24 po) si le bas des armoires en bois ou en métal sont protégés par une surface soit 6 mm (1/4 po) de panneau ignifuge, no 29 msg de tôle d'acier, 0.015 po d'acier inoxydable, 0.024 po d'aluminium ou 0.020 po de cuivre.

Afin d'éliminer le risque de brûlures ou le risque d'incendie, évitez de placer une armoire de rangement au-dessus de la surface de cuisson. Par contre, si une armoire de rangement doit être installée, le risque peut être réduit en installant une hotte qui s'étend d'un minimum de 12,7 cm (5 po) au-delà de l'armoire.

Cet appareil n'est pas destiné à l'utilisation dans des maisons mobiles, ni dans des véhicules récréatifs.

⚠ Notes importantes pour l'installateur

Lisez le manuel avant d'installer la cuisinière.

Observez tous les codes et règlements locaux.

N'oubliez pas de laisser ces instructions au consommateur.

Assurez-vous que votre cuisinière est installée et correctement reliée à la terre par un installateur qualifié ou un technicien de service.

Notes importantes pour l'installateur

Lisez le manuel avant d'installer la cuisinière.

Observez tous les codes et règlements locaux.

N'oubliez pas de laisser ces instructions au consommateur.

Assurez-vous que votre cuisinière est installée et correctement reliée à la terre par un installateur qualifié ou un technicien de service.

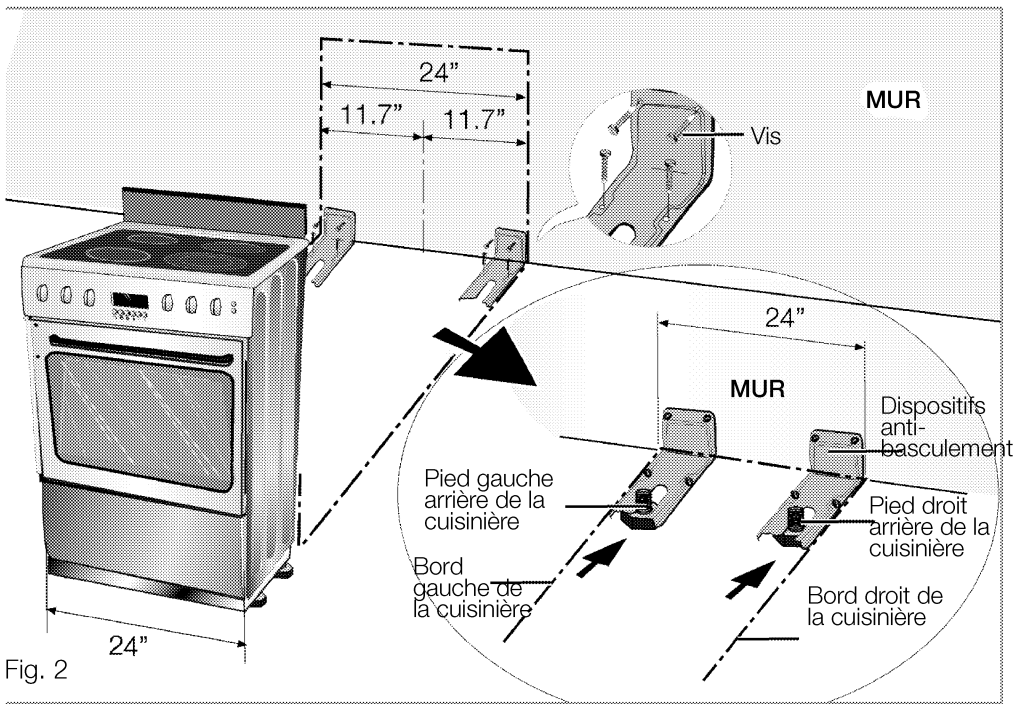


Fig. 2

⚠ IMPORTANT : Avant d'installer la cuisinière dans un endroit recouvert de linoléum ou de tout autre couverture synthétique, assurez-vous que le revêtement du plancher peut supporter une chaleur d'au moins 32,2 °C (90 °F) dépassée la température ambiante, sans rétrécissement, déformation ou décoloration.

N'installez pas la cuisinière sur un tapis à moins que vous placiez un coussin isolant ou un panneau contreplaqué de 0,64 cm (1/4 po) d'épaisseur entre l'appareil et le tapis.

⚠ AVERTISSEMENT

Toutes les cuisinières peuvent basculer et entraîner des blessures aux personnes.

- Installez un dispositif anti-basculement emballé avec l'appareil.

- Un risque de renversement peut exister si l'appareil n'est pas installé conformément à ces instructions.
- Si la cuisinière est tirée du mur pour le nettoyage, l'entretien ou autre raison, assurez-vous que la fixation anti-basculement est réenclenchée lorsque l'appareil est remis en place contre le mur. En cas d'un usage anormal (comme une personne debout, assise ou s'appuyant sur une porte ouverte), le défaut de prendre cette précaution peut entraîner le basculement de la cuisinière. Des blessures pourraient être causées par le déversement de liquides ou d'aliments chauds, ou par la cuisinière elle-même.

Instructions d'installation du dispositif anti-basculement

1. Le dispositif anti-basculement doit être fixé au plancher comme indiqué dans la figure 3.

La dimension de l'emplacement du support à partir du plancher doit être déterminée après que les pieds de l'appareil électroménager ont été ajustés à la hauteur d'installation appropriée indiquée dans les instructions d'installation et que l'appareil a été nivelé.

2. Localisez le dispositif anti-basculement sur le mur à la dimension mesurée d'où le côté gauche de l'appareil (en faisant face à la cuisinière) doit être situé.

3. Installez la cuisinière en place en s'assurant que le dispositif anti-basculement est au même niveau que le trou sur la cuisinière, et vissé.

Support de fixation (montage sur plancher uniquement)

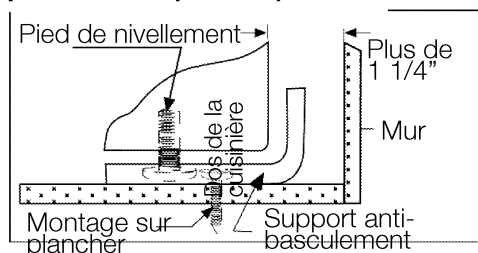


Fig. 3

⚠ Danger de basculement

Un enfant ou adulte peut faire basculer la cuisinière ce qui peut entraîner la mort. Connectez le support anti-basculement au pied arrière de la cuisinière.

Reconnectez le support anti-basculement si la cuisinière est déplacée. Le non-respect de ces instructions peut entraîner la mort ou de blessures graves aux enfants et adultes.

⚠ **DANGER** : Risque de choc électrique!

- Soyez extrêmement prudent lors du perçage des trous dans le mur ou le sol. Des fils électriques peuvent être cachés derrière le mur ou sous le plancher.
- Identifiez les circuits électriques qui pourraient être touchés par l'installation du dispositif anti-basculement, puis coupez l'alimentation de ces circuits.

Le non-respect de ces instructions peut entraîner un choc électrique ou d'autres blessures.

Connexion à l'alimentation en gaz

Cet appareil a été testé conformément aux normes suivantes :

- ANSI Z21.1 Norme pour les appareils de cuisson des ménages (États-Unis)
- CAN 1.1 M81 Exigence no 58 pour les tables de cuisson domestiques (CANADA)
- CAN/ CSA-C 22.2 No 61-M89 Cuisinières domestiques.

Au Canada, l'installation doit être conforme à la norme CAN 1-B149.1 et 2 codes d'installation pour les appareils fonctionnant au gaz et aux codes locaux.

Pour les installations à Massachusetts :

1. L'installation doit être effectuée par un plombier, entrepreneur qualifié ou agréé ou un monteur de gaz qualifié ou agréé par l'État, la province ou région où cet appareil est installé.
2. Le robinet d'arrêt doit être un robinet à gaz en forme de « T »

3. Une conduite flexible de raccordement à gaz ne doit pas être plus longue que 91 cm (36 po).

Notes sur l'installation à haute altitude:

Cette cuisinière est certifiée ETL pour fonctionnement en toute sécurité jusqu'à une altitude de 10 000 pi sans modifications.

Exception : pour une utilisation avec le propane, la cuisinière doit être d'abord convertie en utilisant les instructions de conversion au propane inclus dans cette publication.

Connexion à l'alimentation en gaz

Notes importantes pour les utilisateurs de gaz propane

La cuisinière est livrée de l'usine pour une utilisation avec le gaz naturel. Pour une utilisation avec le gaz propane, votre cuisinière doit être d'abord convertie en utilisant la trousse de conversion au propane.

L'alimentation en gaz est située au panneau arrière de la cuisinière (voyez la fig.). Elle est accessible à travers du

panneau du tiroir-réchaud ou de l'arrière de la cuisinière. Pour joindre le panneau d'accès, retirez le tiroir-échaud.

Fermez le robinet principal de l'alimentation en gaz avant de débrancher l'ancienne cuisinière et laissez-la éteinte jusqu'à ce que le nouveau raccordement est complété.

La cuisinière peut être installée en utilisant un tuyau rigide ou un connecteur d'appareil en métal souple certifié CSA, cCSAus et UI . Utilisez toujours une conduite flexible neuve.

Appliquez une pâte à joint ou du ruban Teflon approprié * sur les connexions de tuyaux filetés mâles pour gaz naturel ou propane afin d'empêcher une fuite.

Si ce n'est pas déjà présent, installez un robinet d'arrêt du gaz à un endroit facilement accessible. Assurez-vous que tous les utilisateurs savent où et comment fermer l'alimentation en gaz à la cuisinière.

REMARQUE : L'installateur doit informer le consommateur où se trouve le robinet d'arrêt du gaz. Méthode d'installation d'une conduite flexible (voyez la figure 4).

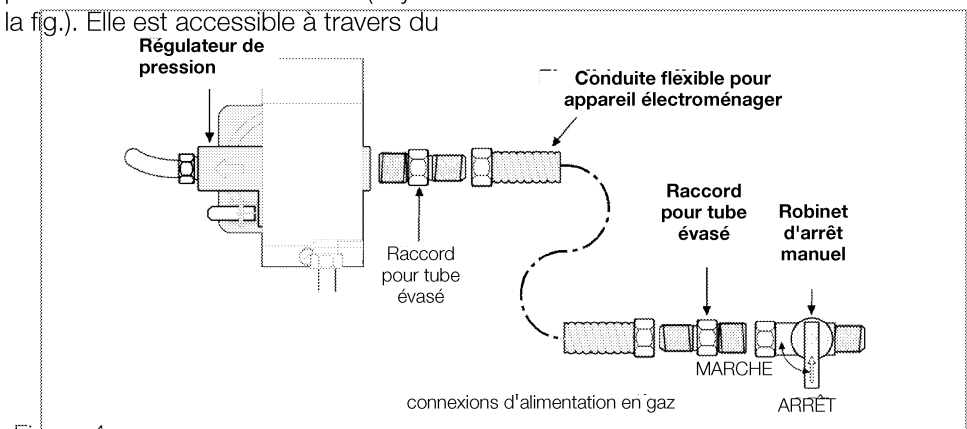


Figure 4

1. Installez un adaptateur évasé mâle de 1/2 po à l'entrée fileté femelle de 1/2 po NPT de la cuisinière. Utilisez une clé sur le raccord coudé pour assurer l'étanchéité.

2. Installez un adaptateur union évasé mâle de 1/2 po ou 3/4 po à l'entrée fileté femelle NPT du robinet d'arrêt manuel.

3. Raccordez la conduite flexible en métal pour appareil électroménager.

4. Assurez-vous que le disjoncteur est à la position d'arrêt et ensuite branchez le câble de la cuisinière à la prise d'alimentation.

5. Repoussez la cuisinière en position en vous assurant que les pieds de la cuisinière se glissent sous le support anti-basculement. Une fois correctement installée, la cuisinière se trouve à 1,9 cm (3/4 po) du mur.

REMARQUE : Faites attention de ne pas pincer la conduite flexible!

6. Inclinez la cuisinière soigneusement vers l'avant pour assurer l'enclenchement du support anti-basculement qui l'empêchera de se renverser.

Méthode d'installation d'une conduite rigide (voyez la figure 4)

La configuration de la connexion d'une conduite rigide peut varier selon l'emplacement du connecteur au tuyau à gaz. Reportez-vous à la figure 4 pour plus de détails.

1. Assurez-vous que le disjoncteur est à la position d'arrêt et ensuite branchez le câble de la cuisinière à la prise d'alimentation.

2. Repoussez la cuisinière en position en vous assurant que les pieds de la cuisinière se glissent sous le support anti-basculement. Une fois correctement installée, la cuisinière se trouve à 1,9 cm (3/4 po) du mur.

3. Inclinez la cuisinière soigneusement vers l'avant pour assurer l'enclenchement du support anti-basculement qui l'empêchera de se renverser.

4. Raccordez la conduite à la cuisinière à l'union. Accédez à la connexion à travers le panneau d'accès à l'arrière du tiroir-réchaud.

REMARQUE : Faites attention de ne pas appliquer de pression sur l'élément du tiroir-réchaud pendant l'installation de la conduite rigide.

Procédez à la rubrique « Détecter les fuites de gaz », colonne suivante

Test de détection des fuites de gaz

La vérification de la présence de fuites de gaz doit être effectuée par un installateur conformément aux instructions fournies dans cette section.

Ouvrez l'alimentation en gaz.

Appliquez un fluide détecteur de fuite non corrosif aux joints et raccords de la conduite entre le robinet d'arrêt et la cuisinière. Incluez les raccords et joints à gaz dans la cuisinière si les connexions ont été dérangées pendant l'installation.

Les bulles apparaissant autour des raccords et connexions indiquent une fuite.

Si une fuite apparaît, fermez le robinet d'arrêt de l'alimentation en gaz et serrez les connexions. Faites un second test pour les fuites en ouvrant le robinet d'arrêt de l'alimentation en gaz.

Lorsque vous avez fini la vérification de l'étanchéité (aucune présence de bulles), le test est complété. Essayez le résidu du fluide détecteur. Procédez à l'étape 6 : Étapes finales sur la page 16.

ATTENTION :

Ne vérifiez jamais pour les fuites avec une flamme. Ne procédez pas à la prochaine étape jusqu'à ce qu'il n'y a aucune présence de fuite.

ATTENTION :

Avant de brancher le cordon d'alimentation, assurez-vous que les boutons de réglage sont à la position ARRÊT.

Test de fonctionnement de brûleur

1. Rétablir le courant au disjoncteur

Si l'afficheur clignote et fait retentir des bips en continu, le câblage est mal installé. Vérifiez que le câblage dans la maison est bien installé. Si c'est le cas, appelez le Service.

2. Test du fonctionnement des brûleurs de la table de cuisson

Test de l'allumage de brûleur. Sélectionnez un bouton de réglage de brûleur de la table de cuisson. Poussez et tournez jusqu'au symbole de flamme. Vous entendrez alors l'allumeur produire des clics. Une fois que l'air a été purgé des conduites d'alimentation, le brûleur s'allumera dans un délai de (4) secondes.

Test de la flamme : Réglage élevé. Tournez le bouton de réglage à la position « HI ». Voyez la figure 7 pour le réglage de chaleur appropriée. Si l'un des brûleurs

continue à brûler plutôt ou entièrement jaune, appelez le service Bosch.

Test de la flamme : Réglage bas. Tournez le bouton de réglage du brûleur à la position « Lo ». Vérifiez que la flamme est complètement autour du brûleur. Il devrait y avoir une flamme à chaque orifice du brûleur et il devrait n'y avoir aucun espace d'air entre la flamme et le brûleur. Si l'un des brûleurs de s'allume pas, appelez le service.

Testez l'allumage de chaque brûleur de la table de cuisson et de la flamme comme décrite ci-dessus.

Lorsque la flamme est correctement ajustée

Il devrait y avoir une flamme du brûleur à chaque orifice de la table de cuisson.

Il devrait n'y avoir aucun espace d'air entre la flamme et l'orifice du brûleur.

3. Test des éléments de chauffe du four

Retirez le couvercle de fond du four. Retirez les deux vis de serrage arrière, faites glisser le couvercle vers l'avant pour le faire sortir.

Test de l'allumage du brûleur de cuisson.

Réglez le four à cuire à une température de 177 °C (350 °F). Après 30-75 secondes, le brûleur s'allumera. Le brûleur restera allumé jusqu'à ce qu'une température de 177 °C (350 °F) est atteinte et puis s'éteint. Par la suite, le brûleur s'allume et s'éteint pour maintenir la température.

Test de la flamme du brûleur de cuisson. Pendant que le brûleur est allumé, vérifiez la flamme. Voyez les figures ci-dessous sur les caractéristiques

d'une flamme adéquate. Si la flamme brûle complètement ou surtout jaune, ajustez l'obturateur d'air du brûleur de cuisson. Voyez les figures de flamme ci-dessous (prochaine page) pour plus de détails.

Test de l'allumage du brûleur de grillage. Réglez le bouton de réglage du four à la position de grillage « HI ». Le brûleur s'allumera après 30-75 secondes.

Test de la flamme du brûleur de grillage. Pendant que le brûleur est allumé, vérifiez la flamme. Voyez les figures ci-dessous sur les caractéristiques d'une flamme adéquate. Si la flamme brûle complètement ou surtout jaune, ajustez l'obturateur d'air du brûleur de grillage. Voyez les figures de flamme ci-dessous pour plus de détails.

Remplacez le couvercle de fond du four. Faites glisser le couvercle en place et vissez les deux vis de serrage arrière.

Caractéristiques de la flamme

Flammes jaunes :



Un autre ajustement est nécessaire,

Des flammes aux extrémités jaunes :



Normal pour le propane.

Flammes bleu pâle :



Normal pour le gaz naturel.

Si la flamme est complètement ou presque jaune, vérifiez que le régulateur est réglé pour le carburant approprié. Après ajustement, effectuez un nouveau test.

De stries jaunes dans les flammes est considéré normal pendant la période initiale de démarrage. Laissez l'appareil fonctionner 4-5 minutes et re-évaluez avant de faire des ajustements.

Appelez le Service si :

1. Un des brûleurs ne s'allume pas.
2. La flamme du brûleur de grillage ou de cuisson s'éteint avant d'atteindre 177 °C (350 °F).
3. Un des brûleurs continue de brûler jaune.

Si le réglage de la hauteur de la flamme est nécessaire, procédez à la prochaine page. Sinon, l'installation est terminée à ce stade.

Conversion au gaz

Cet appareil peut être utilisé avec le propane ou le gaz naturel. La cuisinière est livrée de l'usine prête à être utilisée avec le gaz naturel. Les orifices de conversion se trouvent dans la trousse de conversion. Suivez les instructions incluses avec les orifices pour la conversion au propane.

⚠ ATTENTION : Risque d'explosion!

Avant de commencer tout travail sur la conversion de gaz, veuillez couper l'alimentation en gaz.

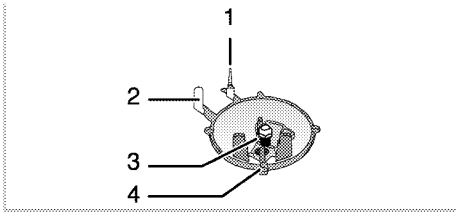
Afin de changer le type de gaz de votre appareil, changez tous les injecteurs et réglez la hauteur de la flamme pour tous les brûleurs à débit réduit.

Remplacer les injecteurs aux brûleurs

1. Enlevez le chapeau et le corps du brûleur.
2. Dévissez les injecteurs.
3. Installez les nouveaux injecteurs.
4. Vérifiez toutes les connexions pour logement et étanchéité sûrs.

ⓘ REMARQUE

Les positions des injecteurs sont indiquées sur l'emballage ou reportez-vous au tableau des injecteurs sur la page 36



- 1 Appareil de contrôle de la flamme
- 2 Mécanisme d'allumage
- 3 Injecteur
- 4 Brûleur

⚠ ATTENTION :

Sauf s'il y a une anomalie, n'essayez pas d'enlever les soupapes des brûleurs à gaz. Vous devez appeler un agent de maintenance agréé si c'est nécessaire de changer les soupapes.

Réglage de débit de gaz pour les soupapes de la table de cuisson

1. Allumez le brûleur à être ajusté et tournez le bouton de réglage à la position minimum.
2. Retirez le bouton de réglage de la soupape à gaz.
3. Utilisez un tournevis de taille appropriée pour ajuster la vis d'ajustement du débit de gaz.

Pour GPL (butane - propane), tournez la vis en sens horaire.

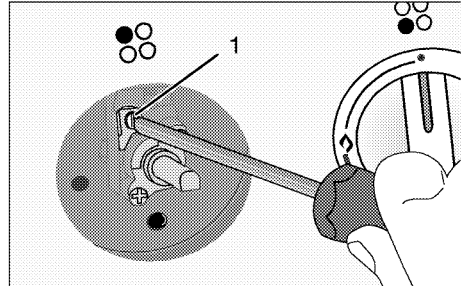
Pour le gaz naturel, vous devez tourner la vis en sens antihoraire une fois.

»La longueur normale d'une flamme à une hauteur réduite est 6 à 7 mm.

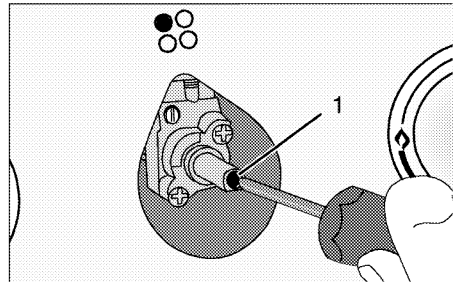
4. Si la flamme est trop haute, tournez la vis en sens horaire. Si elle est trop petite, tournez en sens antihoraire.

5. Pour le dernier contrôle, tournez le bouton de réglage à une position maximale et au minimum afin de vérifier s'il y a toujours une flamme à ses positions.

Selon le type de soupape à gaz utilisée dans votre appareil, la position de la vis de réglage peut varier.

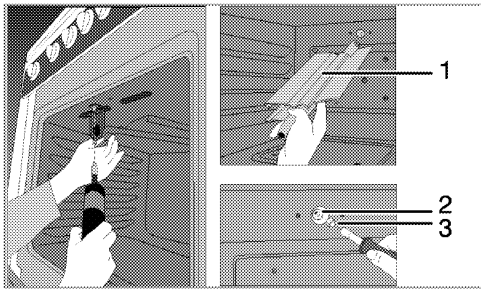


1. Vis de réglage du débit de gaz

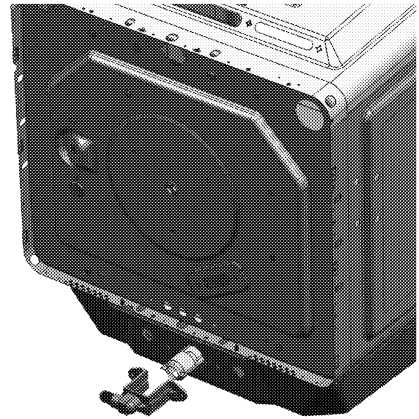


Remplacer l'injecteur pour le grillage

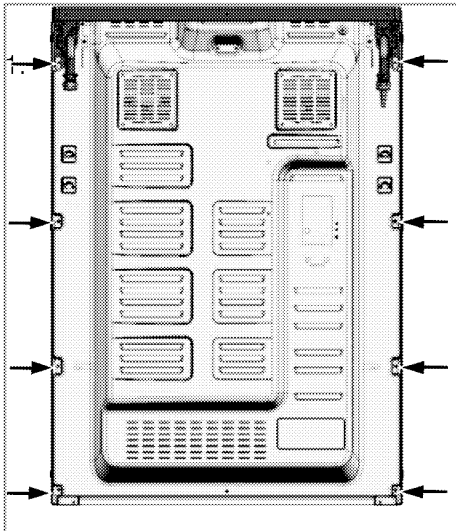
1. Ouvrez la porte du four.
2. Dévissez la vis de fixation du brûleur.
3. Tirez légèrement le brûleur de grillage (1) pour le libérer avec ses liens de la connexion du côté arrière.
4. Dévissez l'injecteur en le tournant en sens antihoraire (3).
5. Installez le nouvel injecteur.



- 1 Brûleur de grillage
- 2 Support d'injecteur
- 3 Injecteur



Remplacer l'injecteur pour le four



2. Dévissez les 2 vis (2) du support de l'injecteur (1).
3. Retirez le support de l'injecteur.

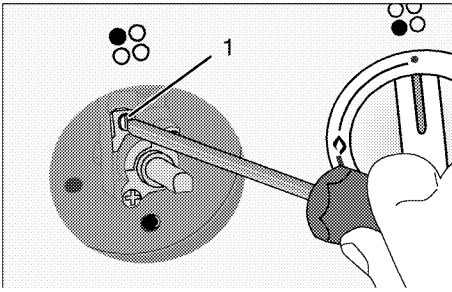
- 1 Support d'injecteur
- 2 Vis

4. Dévissez l'injecteur en le tournant en sens antihoraire.
5. Installez le nouvel injecteur.

Réglage du débit de gaz pour le four

Pour le bon fonctionnement du four, la vérification du réglage du débit de gaz pour le four est extrêmement importante. Afin d'offrir une sécurité maximale à l'utilisateur, ces opérations doivent être effectuées avec soin.

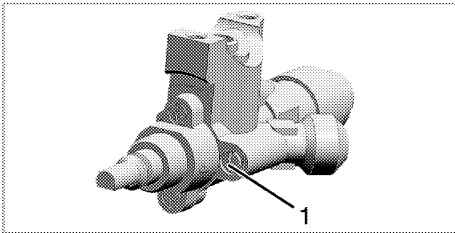
1. Allumez le brûleur à être ajusté et tournez le bouton de réglage à la position maximale.
2. Fermez la porte du four et attendez 10 à 15 minutes jusqu'à ce que le four atteigne cette température de chauffe.
3. Retirez le bouton de réglage.
4. Après 15 minutes, ajustez le four à la position la plus basse de la flamme.



5. Réglez la longueur de la flamme à 2 à 3 mm au moyen de la vis 1 sur la soupape du four. Tourner la vis dans le sens horaire réduit la flamme, tourner dans le sens antihoraire augmente la flamme.

⚠ ATTENTION :

Si la température du four augmente involontairement, éteignez le four et appelez le service de maintenance agréé pour réparer le thermostat du four.



⚠ ATTENTION :

Si le type de gaz de l'appareil est changé, alors la plaque signalétique qui indique le type de gaz de l'appareil doit également être modifiée.

Le « California Safe Drinking Water and Toxic Enforcement Act » exige que le gouverneur de Californie publie une liste de substances connues à l'État de Californie pour causer le cancer, les malformations congénitales ou d'autres anomalies de la reproduction, et exige aux entreprises d'avertir l'exposition potentielle à de telles substances.

⚠ **IMPORTANT :** Ce produit contient un produit chimique connu à l'État de Californie pour causer le cancer, des malformations congénitales ou d'autres anomalies de la reproduction.

Cet appareil peut vous exposer à certaines substances de faibles niveaux tels que le benzène, le formaldéhyde, le monoxyde de carbone, et le toluène.


Connexion à l'alimentation principale

⚠ **IMPORTANT :** L'installation électrique doit être conforme aux codes nationaux et locaux.

⚠ **IMPORTANT :** Cet appareil doit être mis à la terre!

⚠ AVERTISSEMENT

: Évitez les risques d'incendie ou de décharges électriques. N'utilisez pas une multiprise, une rallonge, et surtout n'enlevez pas la broche de masse de la fiche du cordon d'alimentation. Le non-respect de cet avertissement

Butane/propane	Gaz naturel
Serrer la vis solidement	Deserrer la vis
	1/2 tour
	

peut entraîner de graves blessures, un incendie voire la mort.

Cet appareil est doté d'une fiche à 3 broches (de mise à la terre) pour votre protection contre tout risque de choc électrique; cette fiche doit être branchée directement dans une prise de courant conçue pour fiches à trois branches et adéquatement mise à la terre. Ne coupez PAS ni ne retirez la broche de masse de cette fiche.

Pour votre sécurité personnelle, la cuisinière doit être correctement mise à la terre. Pour une sécurité maximale, le cordon d'alimentation doit être branché dans une prise d'alimentation qui est correctement polarisée et mise à la terre.

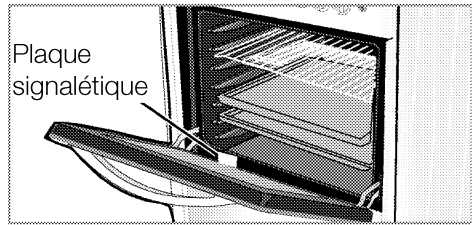
Si une prise murale à 2 broches est la seule prise de disponible, le consommateur est personnellement responsable de retenir les services d'un électricien qualifié pour la remplacer par une prise murale conçue pour fiches à 3 broches et adéquatement mise à la terre.

⚠ ATTENTION : Ne reliez pas l'alimentation électrique à une conduite de gaz.

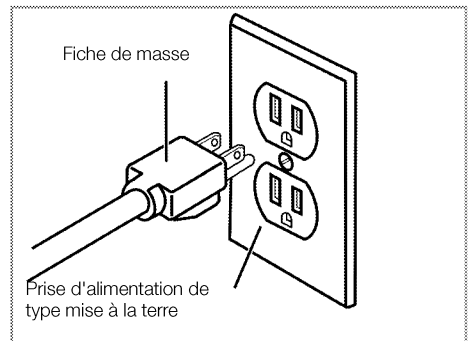
Notre entreprise ne doit pas être tenue responsable de tout dommage causé par l'utilisation de l'appareil sans prise à la terre.

Le schéma de câblage pour le circuit de commande est situé à l'intérieur du panneau inférieur, en dessous des panneaux de porte du four.

Les données sur l'alimentation principale doivent correspondre aux données indiquées sur la plaque signalétique de l'appareil. Vous pouvez voir la plaque signalétique lorsque la porte ou le couvercle inférieur est ouvert.



La cuisinière est dotée d'une fiche à 3 broches de mise à la terre. Afin de minimiser les risques de choc électrique, le cordon doit être branché dans une prise correspondante de mise à la terre pour fiche à 3 broches de mise à la terre conformément la dernière édition du National Electrical Code, ANSI / NFPA no 70 ou au Canada, la dernière édition du Code canadien de l'électricité (CSA) et tous les codes et règlements locaux . Reportez-vous à l'illustration ci-dessous.



⚠ DANGER : Risque d'électrocution, de court-circuit ou d'incendie par des dommages de l'alimentation principale!

Le câble d'alimentation principale ne doit pas être serré, plié ou coincé ou entrer en contact avec les parties chaudes de l'appareil.

Si le **cordon d'alimentation** principale est endommagé, il doit être remplacé par un électricien qualifié.

⚠ IMPORTANT : La cuisinière à gaz nécessite une alimentation électrique de 110/120VCA pour faire fonctionner le système d'allumage électronique. Le cordon d'alimentation de 1,8 m (6 pi) fourni avec la cuisinière est doté d'une fiche à 3-broches de mise à la terre pour la protection contre tout risque de décharge électrique. Le branchement devrait avoir son propre disjoncteur de 15 ampères.

⚠ IMPORTANT : Vous devez suivre tous les règlements du Code canadien de l'électricité et ceux pour les gaz.

De plus, soyez conscient de codes et règlements locaux lors de l'installation de vos services.

- Pour aligner l'appareil avec le comptoir, ajustez les pieds en tournant vers la droite ou vers la gauche selon les besoins.

3 Préparation

Conseils pour économiser de l'énergie

Conseils pour économiser de l'énergie

Les renseignements suivants vous aideront à utiliser votre appareil de façon écologique et à économiser de l'énergie :

- Utilisez des ustensiles de cuisine pour le four revêtues d'émail ou de couleur foncée, puisque la transmission de la chaleur sera mieux.
- Pendant la préparation culinaire, préchauffez le four si recommandé dans le manuel d'utilisation ou dans les instructions de cuisson.
- N'ouvrez pas la porte du four fréquemment pendant la cuisson.
- Essayez de cuire plus d'un plat dans le four en même temps, quand c'est possible. Vous pouvez faire cuire deux plats sur une même grille.
- Faites cuire plus d'un plat un après l'autre. Le four est déjà chaud.
- Décongelez les plats congelés avant de les cuire.
- Utilisez des ustensiles de cuisine avec couvercles pour la cuisson. S'il n'y a pas de couvert, la consommation d'énergie peut augmenter quatre fois plus.
- Sélectionnez le brûleur qui correspond à la taille du fond de la casserole à être utilisée. Sélectionnez toujours la bonne taille de la casserole pour vos plats. Les grandes casseroles requièrent plus d'énergie

Mise en marche initiale

D'abord le nettoyage de l'appareil

⚠ IMPORTANT : La surface peut devenir endommagée par certains détergents ou des produits de nettoyage.

1. Retirez tous matériaux d'emballage.
2. Essuyez toutes les surfaces de l'appareil à l'aide d'une éponge ou d'un chiffon mouillé et avec un chiffon sec.

Chauffage initial

⚠ AVERTISSEMENT : Les surfaces chaudes peuvent causer des brûlures!

Ne touchez pas les surfaces chaudes de l'appareil. Utilisez des maniques. Tenez les enfants hors de la portée de l'appareil.

i Des émissions d'odeur et de fumée peuvent se produire au premier chauffage. Assurez-vous que la cuisine est bien aérée :

Les couches de conservation et les résidus de production doivent être brûlés avant la première utilisation. Faites chauffer l'appareil pour au moins 30 minutes, puis éteignez-le.

Four à gaz

1. Retirez tous les plateaux de cuisson et la grille du four.
2. Fermez la porte du four.
3. Sélectionnez la plus haute flamme pour le four à gaz; consultez la rubrique Comment utiliser le four à gaz, page 29
4. Faites chauffer pendant environ 30 minutes.

5. Éteignez le four; consultez la rubrique Comment utiliser le four électrique, page 29.

Four de grillage

1. Retirez tous les plateaux de cuisson et la grille du four.
2. Fermez la porte du four.
3. Sélectionnez la plus haute puissance de l'élément de grillage; consultez la rubrique Comment faire fonctionner l'élément de grillage, page 33.
4. Faites chauffer pendant environ 30 minutes.
5. Éteignez l'élément de grillage; consultez la rubrique Comment faire fonctionner l'élément de grillage, page 33.

4 Comment utiliser la plaque de cuisson

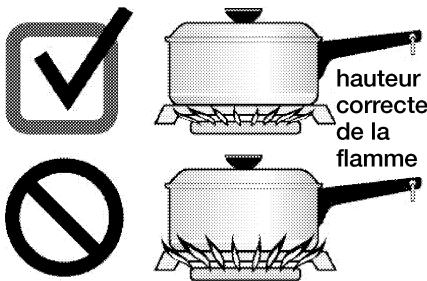
Informations générales sur la cuisson

⚠ AVERTISSEMENT : L'huile surchauffée présente un danger d'incendie!

Lorsque vous chauffez de l'huile, ne le laissez pas sans surveillance.

Ne tentez jamais d'éteindre le feu avec de l'eau! Lorsque l'huile est enflammée, couvrez immédiatement la casserole ou le poêle avec un couvercle. Éteignez la table de cuisson si cela peut se faire sans danger et appelez le service d'incendie.

⚠ ATTENTION : Assurez-vous que la flamme ne dépasse jamais l'extérieur de l'ustensile de cuisine. Une flamme plus haute gaspille de l'énergie, et augmente vos risques d'être brûlé par la flamme.



- Avant de frire des aliments, essuyez-les toujours bien et placez-les délicatement dans l'huile chaude. Assurez-vous de décongeler complètement les aliments gelés avant de les frire.
- Ne couvrez pas le récipient que vous utilisez pour chauffer l'huile.

- Ne placez pas de récipients vides et des casseroles sur les zones de cuisson qui sont allumées. Ils peuvent être endommagés.
- L'exploitation d'une zone de cuisson sans d'ustensile de cuisine sur celle-ci provoquera un dommage au produit. Éteignez les zones de cuisson après avoir fini la cuisson.
- Comme la surface du produit peut être chaude, ne placez pas des récipients en plastique ou en aluminium sur la surface.

Ces récipients ne devraient pas être utilisés pour conserver les aliments non plus.

- Utilisez seulement des ustensiles de cuisine avec des fonds plats.
- Mettez une quantité d'aliments appropriés dans les casseroles et poêles. Ainsi, vous n'aurez pas à faire un nettoyage inutile en évitant les déversements des plats.

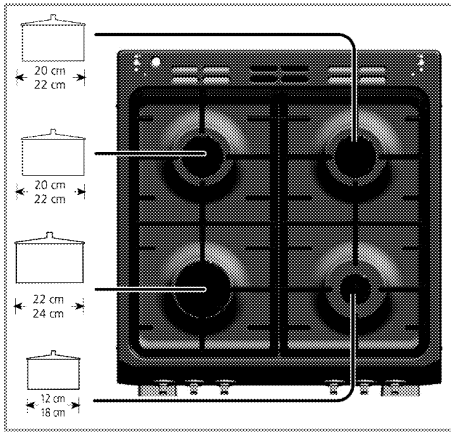
Ne mettez pas de couvercles des casseroles sur les zones de cuisson.

Placez les casseroles d'une façon qu'elles soient centrées sur la zone de cuisson. Lorsque vous souhaitez de déplacer la casserole sur une autre zone de cuisson, soulevez-la et placez-la sur la zone de cuisson que vous voulez au lieu de la faire glisser.

Cuisson au gaz

- La taille du récipient et de la flamme doit correspondre l'un à l'autre. Réglez les flammes du gaz afin qu'elles ne s'étendent pas passé le fond de l'ustensile de cuisson. Centrez l'ustensile au milieu de la zone de cuisson.

Utiliser la table de cuisson



- 1 Brûleur normal de 18 à 20 cm
- 2 Brûleur rapide de 22 à 24 cm
- 3 Brûleur auxiliaire de 12 à 18 cm
- 4 Un brûleur normal de 18 à 20 cm correspond au diamètre de la plupart des ustensiles de cuisine.

Le symbole de la grande flamme indique la plus haute puissance de cuisson et le symbole de petite flamme indique la plus basse puissance de cuisson. À la position d'arrêt (off), le gaz n'est pas alimenté aux brûleurs.

Allumage des brûleurs à gaz

1. Maintenez enfoncé le bouton de réglage.
2. Tournez-le en sens antihoraire au symbole de la grande flamme.
2. Maintenez le bouton enfoncé et tournez-le au symbole de la grande flamme.
Une étincelle d'allumage est générée et le gaz s'enflamme.
3. Réglez-le à la puissance de cuisson désirée.
4. S'il n'y a pas d'électricité; enflammez le gaz à l'aide d'un briquet à gaz.

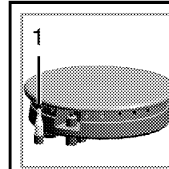
Éteindre les brûleurs à gaz

Éteignez la zone d'attente/de garde au chaud à la position d'arrêt (off).

Système de sécurité d'arrêt de gaz

En tant que contre-mesure d'étouffement des flammes à cause de déversements sur les brûleurs, un dispositif de sécurité de déclenchement coupe le gaz.

1. Dispositif de sécurité d'arrêt de gaz



1. Dispositif de sécurité d'arrêt de gaz

En tant que contre-mesure d'étouffement des flammes à cause de déversements sur les brûleurs, un dispositif de sécurité de déclenchement coupe le gaz.

- Appuyez sur le bouton et tournez-le en sens antihoraire pour enflammer.
- Après que le gaz s'enflamme, maintenez le bouton enfoncé pendant 3 à 5 secondes de plus pour engager le système de sécurité.
- Si le gaz ne s'enflamme pas après que vous appuyez et relâchez le bouton, répétez la même procédure en gardant le bouton enfoncé pendant 15 secondes.

⚠ ATTENTION : Risque de déflagration dans le cas du gaz non brûlé!

N'appuyez pas sur le bouton pour plus de 15 secondes s'il n'y a pas d'inflammation.

Attendez pour une minute et puis répétez le processus d'allumage.

5 Comment faire fonctionner le four

Renseignements généraux pour cuire, rôtir et griller

⚠ ATTENTION :

Risque de brûlures par la vapeur chaude!

Tenez-vous éloigné de la cuisinière lors de l'ouverture de la porte du four. L'air chaud ou la vapeur qui s'échappe peut causer des brûlures aux mains, au visage et/ou aux yeux.

Laissez l'air chaud ou la vapeur s'échapper avant de retirer ou replacer les aliments.

Conseils pour la cuisson au four

- Utilisez des plaques appropriées à revêtement antiadhésif ou récipients en aluminium ou des moules en silicone résistant à la chaleur.
- Faites un meilleur usage de l'espace sur la grille.
- Il est recommandé de placer la moule de cuisson au milieu de la grille.
- Déterminez la bonne position de la grille avant d'allumer le four ou l'élément de grillage; ne déplacez pas les grilles lorsque celles-ci sont chaudes.
- Placez toujours les grilles du four à l'emplacement désiré tandis que le four n'est pas réchauffé. Si la grille doit être déplacée lorsque le four est chaud, veillez à ce que les maniques de cuisinier ne touchent pas l'élément chauffant dans le four.
- Tenez la porte du four fermée.

Conseils pour rôtir

- L'assaisonnement avec du jus de citron et du poivre noir améliorera le

goût d'un poulet entier, une dinde ou un gros morceau de viande.

- La viande avec os prend environ 15 à 30 minutes plus longues à cuire qu'un rôti de la même taille sans os.
- Vous devriez calculer un temps de cuisson d'environ 4 à 5 minutes par hauteur en centimètre de la viande.
- Laissez la viande dans le four pour environ 10 minutes après le temps de cuisson. Le jus est mieux distribué sur le rôti et ne coule pas de la viande lorsqu'elle coupée.
- Le poisson dans un plat résistant à la chaleur doit être placé sur la grille du milieu ou au niveau inférieur.

Conseils pour le grillage

Griller est idéal pour la cuisson de la viande, le poisson et le poulet et réalise une surface brune sans trop sécher. Les tranches de viande, brochettes de viandes et saucisses sont particulièrement idéales pour le grillage ainsi que les légumes de fort pourcentage d'eau comme les tomates et oignons.

- Distribuez les morceaux à griller sur la grille.
- Si le grillage est sur une grille, placez un plateau en dessous pour recueillir la graisse.
- Ajoutez de l'eau dans le plateau pour faciliter le nettoyage.

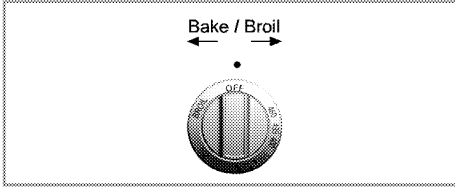
⚠ ATTENTION :

Danger d'incendie dû à la nourriture qui ne convient pas pour griller!

Utilisez seulement les aliments qui convient à a chaleur intensive pour griller.

Ne placez pas les aliments trop loin à l'arrière sur la grille. C'est la zone la plus chaude et l'aliment peut prendre feu.

Comment utiliser le four à gaz



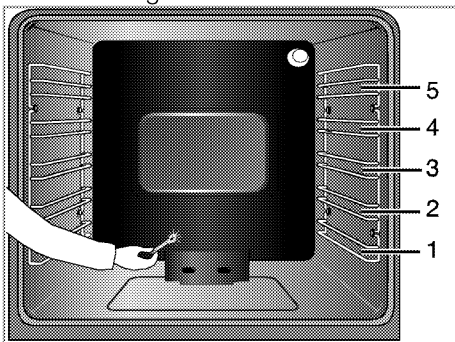
1 Bouton de réglage du four

Le four à gaz est contrôlé par le bouton de réglage du four. À la position d'arrêt (off), l'alimentation en gaz est coupée.

Allumez le four à gaz

Le four à gaz est automatiquement mis en marche par le bouton de réglage du four.

1. Ouvrez la porte du four.
2. Maintenez enfoncé le bouton de réglage du gaz et tournez-le en sens antihoraire.
Une étincelle d'allumage est générée et le gaz s'enflamme.
3. Maintenez enfoncé le bouton de réglage du four pour 3 à 5 secondes de plus.
4. Soyez sûr que le gaz est enflammé et que la flamme est présente.
5. Sélectionnez la puissance de cuisson désirée.
6. S'il n'y a pas d'électricité; enflamez le gaz à l'aide d'un briquet allume gaz à travers le trou de contrôle d'allumage.



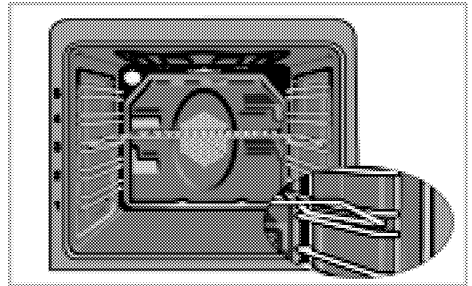
⚠ ATTENTION :

Risque de déflagration par le gaz qui n'est pas enflammé!

Le dispositif ne doit pas être utilisé pendant plus de 15 s. Si au bout de 15 s le brûleur ne s'est pas allumé, arrêtez de faire fonctionner l'appareil et ouvrez la porte du compartiment et/ou attendez au moins 1 min avant de tenter un autre allumage du brûleur.

Éteindre le four à gaz

1. À la fin du temps de cuisson, tournez le bouton de réglage du gaz de four à la position arrêt (off).



Position de la grille

Il est important de positionner correctement la grille sur les clayettes latérales. La grille doit être placée de sorte qu'elle est fixée dans l'ouverture des clayettes telle qu'illustrée dans la figure.

Tableau de temps de cuisson

⚠ IMPORTANT :

Les valeurs indiquées dans le tableau ci-dessous ne sont que des suggestions. Les valeurs peuvent différer compte tenu le type d'aliment ainsi que vos préférences de cuisson.

Cuir au four et rôtir

⚠ IMPORTANT :

Niveau 1 est le niveau **inférieur** du four.

(Recommandé) La charge maximale de plateau au four : 4 kg (8,8 lb).

Cuir au four et rôtir

Aliments	Préchauffage *	Niveau d'insertion	Position du bouton de commande	Temps de cuisson
Tarte aux pommes	10 min.	3	1	60...70 min.
Tartelette aux fruits	10 min.	3	1	60...70 min.
Tarte	10 min.	3	1	60...70 min.
Biscuits	10 min.	4	1	30...40 min.
Pâtisserie	10 min.	3...4	1	40...50 min.
Gâteau	10 min.	3	1	60...70 min.
Biscuits	10 min.	4	1	30...40 min.
Rôti d'agneau	10 min.	4...5	1	35...45 min. pour 450 g + 30 min.
Rôti de bœuf	10 min.	3	1	100...130 min. pour 450 g + 30 min.
Turquie	10 min.	3	1	100...130 min. pour 450 g + 30 min.
Volaille	10 min.	3	1	100...130 min. pour 450 g + 25 min.
Casseroles	10 min.	4	1	100...130 min. §
Poisson	10 min.	3	1	45...55 min.
Macaroni	10 min.	4	1	50...55 min.
Petits gâteaux	10 min.	3...4	1	40...50 min.
Gâteau Victoria	10 min.	3	1	30...35 min.

* à la position 3 du bouton de commande / § dépend de la quantité / # dépend de la portion

Conseils pour la cuisson des gâteaux

1. Si la pâte est trop sèche,
 - » Augmentez la température de 10 °C (50 °F) et réduisez le temps de cuisson.
2. Si la pâte tombe,
 - » Utilisez moins de liquide ou abaissez la température de 10 °C (50 °F).
3. Si la pâte est trop foncée sur le dessus,
 - » Placez le gâteau sur la grille inférieure, abaissez la température, et augmentez le temps de cuisson.
4. Un cure-dent inséré au milieu du gâteau en sortira propre une fois que celle-ci est cuite.
 - » Utilisez moins de liquide, abaissez la température, et augmentez le temps de cuisson.

Conseils pour la cuisson des pâtisseries

1. Si la pâte est trop sèche,
 - » Augmentez la température de 10 °C (50 °F) et réduisez le temps de cuisson.
 - » Humectez les couches de pâte avec de la sauce composée de lait, huile, œuf et yaourt.
2. Si la pâte prend trop de temps à cuire,
 - » Assurez-vous que l'épaisseur de la pâte que vous avez préparée ne dépasse pas la profondeur du plateau; elle doit être du même niveau.
3. Si le côté supérieur de la pâte brunit un peu trop, et que la partie inférieure n'est pas cuite,
 - » Assurez-vous que le montant de sauce que vous avez utilisé pour la pâte n'est

pas de trop au fond de la pâte. Essayez de répandre la sauce également entre et sur les couches de la pâte pour un brunissement uniforme.

» Faites cuire la pâte conformément à la température et au mode indiqué dans le tableau de cuisson. Si la partie inférieure n'est pas suffisamment brunie, placez-la sur la grille à une position inférieure la prochaine fois.

Conseils pour la cuisson des légumes

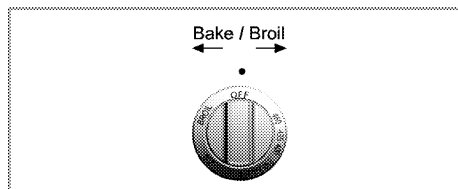
1. Si le plat de légumes sèche,
 - » Utilisez une casserole avec un couvercle pour la cuisson des légumes au lieu d'un plateau. Un couvercle aidera à garder le jus dans la casserole.
2. Si un plat de légumes ne cuit pas,
 - » Faites bouillir les légumes au préalable ou passez-les à l'eau bouillante comme les légumes en conserve et mettez-les dans le four.

Comment faire fonctionner l'élément de grillage

Les surfaces chaudes peuvent causer des brûlures!

Le four à gaz est contrôlé par le bouton de réglage du four. À la position d'arrêt (off), l'alimentation en gaz est coupée.

Fermez la porte du four pendant les grillades.



Allumer l'élément de grillage

Le four à gaz s'allume automatiquement avec la manette de contrôle du grill.

1. Ouvrez la porte du four.

2. Maintenez la manette enfoncée et tournez-la dans le sens des aiguilles d'une montre sur le symbole "broil".
3. Une étincelle d'allumage se produit et le gaz s'enflamme.
4. Maintenez la commande du brûleur enfoncée pendant 3 à 5 secondes de plus.
5. Après que la flamme est stable, fermez la porte.

⚠ DANGER :

Risque de déflagration par le gaz qui n'est pas enflammé!

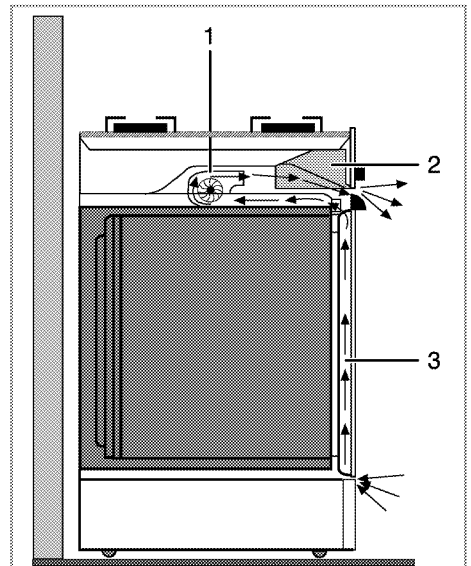
Le dispositif ne doit pas être utilisé pendant plus de 15 s. Si au bout de 15 s le brûleur ne s'est pas allumé, arrêtez de faire fonctionner l'appareil et ouvrez la porte du compartiment et/ou attendez au moins 1 min avant de tenter un autre allumage du brûleur.

Éteindre l'élément de grillage

1. Tournez le bouton de commande de l'élément de grillage à la position arrêt (off).

Pour les appareils avec un ventilateur de refroidissement

Le ventilateur de refroidissement refroidit l'avant des produits.



⚠ REMARQUE :

Le ventilateur continue de fonctionner pendant environ 20-30 minutes après que le four est éteint.

Position de la grille

Pour une couverture optimale de grillage, placez la grille vers l'avant du four, hors de contact avec la porte vitrée. Placer la grille pleinement vers l'arrière du four réduira la couverture du grillage.

- Mettez de petites et moyennes portions sur la grille à la bonne position sous l'élément de grillage pour griller.

N'utilisez pas le niveau supérieur pour le grillage

Tableau de temps de cuisson pour griller

Griller avec l'élément de grillage

Aliments	Préparation/mise en place	Temps de grillage #
Griller le pain et produit similaire	3...10 min.
Petits morceaux de viande, saucisses, bacon, etc.	15...20 min.
Côtelettes, biftecks, morceaux de poulet, etc.	Poulet avec grille à position presque verticale.	20...25 min.
Poisson, filets de poisson, réglettes de poisson	Poissons entiers et filets de poisson placés sur le plateau de grillage.	10...20 min.
Poisson enrobé de chapelure	15...20 min.
Produits de pomme de terre précuits	15...20 min.
Pizza	Placée sur le plateau de grillage	12...15 min.
Griller/brunissement des aliments	Plat placé directement sur la base du compartiment de grillage.	8...10 min.
# dépend de l'épaisseur		

6 Entretien et maintenance

Renseignements généraux

DANGER :

Risque de choc électrique!

Coupez l'alimentation électrique et/ou débranchez le cordon d'alimentation avant de nettoyer l'appareil afin d'éviter un choc électrique.

DANGER ::

Les surfaces chaudes peuvent causer des brûlures!

Permettez l'appareil de se refroidir avant de le nettoyer.

REMARQUE :

La surface pourrait être endommagée par certains détergents ou des produits de nettoyage.

N'utilisez pas de détergents corrosifs, de poudre/crème à nettoyer ou d'objet pointu.

Nettoyez l'appareil complètement après chaque usage; de cette manière, il sera possible d'enlever les résidus de cuisson plus facilement, évitant ainsi que ceux-ci ne se brûlent la prochaine fois que l'appareil sera utilisé.

Aucun agent nettoyant spécial n'est requis pour nettoyer l'appareil. Il est recommandé d'utiliser de l'eau chaude savonneuse, un chiffon doux ou une éponge et utilisez un chiffon sec pour sécher.

N'utilisez pas de matériaux de nettoyage abrasifs!

IMPORTANT :

N'utilisez pas un nettoyeur à vapeur pour nettoyer.

Comment nettoyer la table de cuisson

Brûleurs à gaz

1. Retirez les supports de poêle et les chapeaux des brûleurs et nettoyez-les.
2. Nettoyez le brûleur.
3. Réinstallez les chapeaux et vérifiez qu'ils sont en position solidement.
4. Pendant que vous placez les supports du poêle, assurez-vous que les brûleurs sont centrés aux supports de poêle.

Nettoyage du panneau de commande

Domage au panneau de commande!

Ne retirez pas les boutons de réglage pour le nettoyage du panneau de commande.

Nettoyez le panneau de commande et les boutons de réglage.

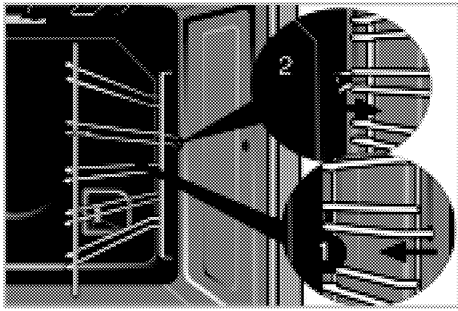
Nettoyage du four

Aucun produit à nettoyer les fours ou d'autres agents nettoyants spéciaux n'est requis pour le nettoyage du four. Il est recommandé d'essuyer le four à l'aide d'un chiffon mouillé tandis qu'il est chaud.

Ne laissez pas de la graisse ou de l'huile s'accumuler dans le fond du four ni sur les accessoires du four.

Pour nettoyer les parois latérales,

1. Retirez la section avant de la clayette latérale en tirant vers la direction opposée de la paroi latérale.
2. Retirez la clayette latérale complètement en la tirant vers vous.



Parois émaillées

Les parois latérales et arrières de l'intérieur du four peuvent être recouvertes d'émail.

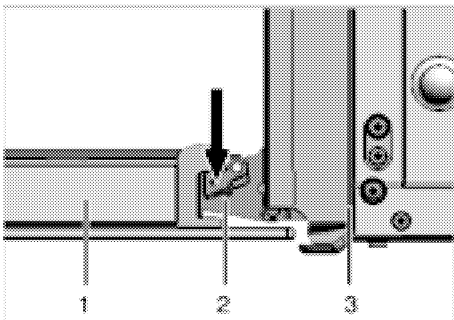
Les parois émaillées du four ne doivent pas être nettoyées. La surface poreuse des parois a une capacité d'autonettoyage en absorbant et en convertissant les éclaboussures de graisse (vapeur et dioxyde de carbone)

Nettoyer la porte du four

N'utilisez pas de nettoyants fortement abrasifs ni de grattoirs tranchants en métal pour nettoyer la porte de four. Ils pourront rayer la surface et endommager la vitre.

Démontage de la porte du four

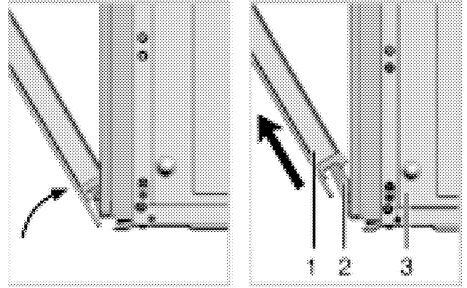
1. Ouvrez la porte avant.
2. Ouvrez les clips du boîtier de la charnière aux côtés droit et gauche de la porte avant en appuyant sur ceux-ci comme illustré dans la figure.



- 1 Porte avant

- 2 Charnière

- 3 Four



3. Déplacez la porte avant à mi-chemin.
4. Retirez la porte avant en la tirant vers le haut pour la libérer des charnières droit et gauche.

⚠ REMARQUE :

Les étapes accomplies pendant le processus de démontage devront être effectuées en ordre inverse (étapes 4, 3, 2 et 1) pour réattacher la porte. N'oubliez pas de fermer les clips aux boîtiers des charnières lors de la réinstallation de la porte.

Remplacer la lampe du four

⚠ DANGER :

Les surfaces chaudes peuvent causer des brûlures!

Assurez-vous que l'appareil est éteint et refroidi afin d'éviter le risque d'un choc électrique.

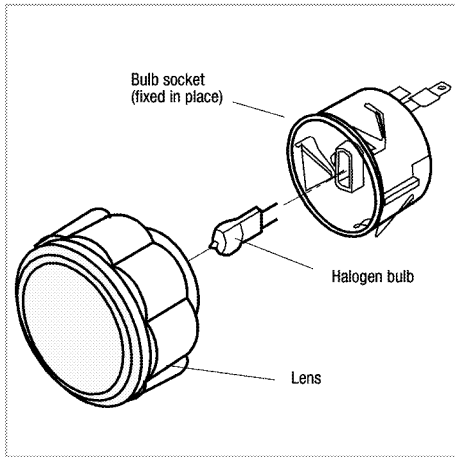
Les lentilles doivent être en place lors de l'utilisation du four.

Les lentilles servent à protéger l'ampoule de brisure.

Les lentilles sont faites de verre. Manipulez soigneusement pour éviter les cassures. Un verre brisé peut causer une blessure.

⚠ REMARQUE :

La position de la lampe peut différer du diagramme.



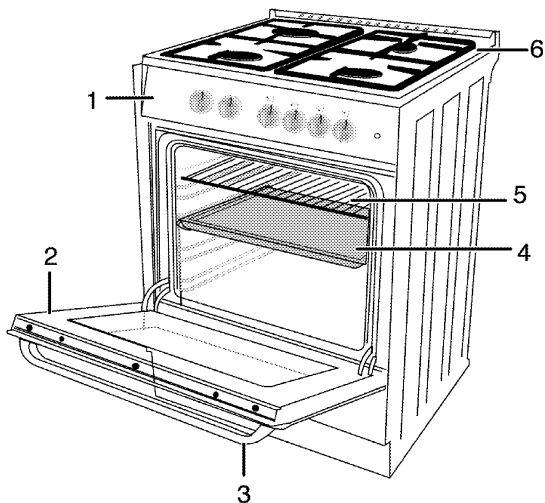
Chaque four est doté de deux lampes halogènes situées à la paroi arrière du four. Les lampes sont allumées lorsque la porte est ouverte ou lorsque le four est en mode de cuisson. Les lampes du four ne sont pas allumées pendant l'autonettoyage. Chaque ensemble de lampe consiste de lentilles amovibles, d'une ampoule ainsi qu'un boîtier de douille de lampe qui est fixé en place. Le remplacement d'une ampoule est considéré comme un article d'entretien de routine.

Pour remplacer une ampoule :

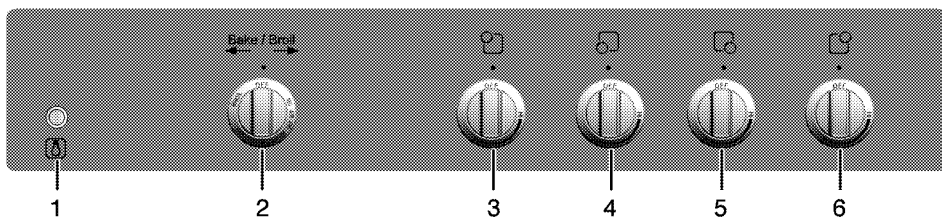
1. Lisez les mises en garde sur cette page.
2. Coupez le courant à l'alimentation principale (fusible ou disjoncteur).

7 Renseignements généraux

Vue d'ensemble



- | | | | |
|---|---------------------|---|-------------------|
| 1 | Panneau de commande | 6 | Plaque de brûleur |
| 2 | Porte avant | | |
| 3 | Poignée | | |
| 4 | Plaque | | |
| 5 | Grille | | |



- | | | | |
|---|--|---|----------------------------------|
| 1 | Bouton de lampe | 5 | Avant droit — brûleur auxiliaire |
| 2 | Bouton de réglage du four/de l'élément de grillage | 6 | Arrière droit — brûleur normal |
| 3 | Arrière gauche — brûleur normal | | |
| 4 | Avant gauche — brûleur rapide | | |

Données techniques

GÉNÉRALE	
Dimensions extérieures (hauteur/largeur/profondeur)	33 1/3 X23 1/2 x 23 1/2 pouces
Tension/fréquence	110 - 120 V ~ 60 Hz
Protection de fusible	min. 40 A
Type de câble / calibre / longueur	DTR 4x10 AWG / max. 6 pi
Brûleurs-	
Arrière / gauche	Brûleur normal
Alimentation	6800 BTU/h
Avant / gauche	Brûleur rapide
Alimentation	10000 BTU/h
Avant / droit	Brûleur auxiliaire
Alimentation	3500 BTU/h
Arrière / droit	Brûleur normal
Alimentation	6800 BTU/h
Four	Four à gaz
Éclairage interne	15–25 W
Consommation d'énergie du four	8500 BTU/h
Consommation d'énergie totale	35600 BTU/h
Consommation d'énergie de l'élément de grillage	7800 BTU/h

Cet appareil peut être utilisé avec le propane ou le gaz naturel. La cuisinière est livrée de l'usine prête à être utilisée avec 10 cm (4 po) de gaz naturel. Les orifices de conversion se trouvent dans la trousse de conversion. Suivez les instructions incluses avec les orifices pour la conversion au propane.

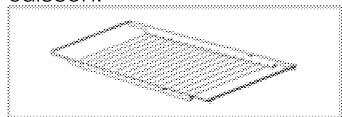
Accessoires fournis avec l'appareil

⚠ Important :

Les accessoires fournis peuvent varier en fonction du modèle de produit. Tous les accessoires décrits dans le manuel de l'utilisateur peuvent ne pas exister sur le produit.

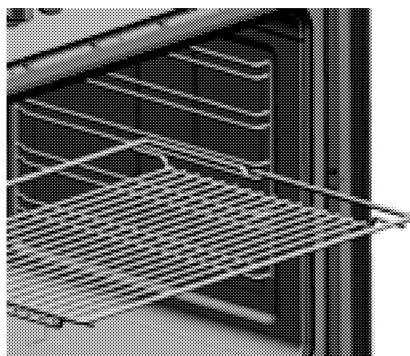
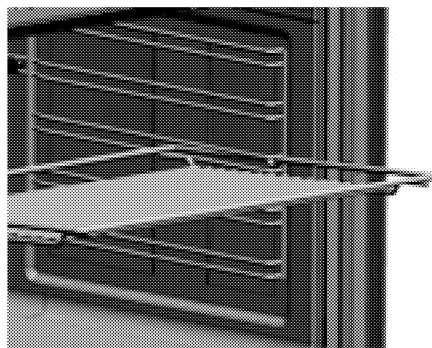
Grille

Peut être utilisée pour rôti et comme plateau amovible pour les plats de cuisson.



Emplacement correct de la grille sur les clayettes latérales

Il est important de positionner le plateau ramasse-gouttes sur les grilles correctement. Faites coulisser le plateau ramasse-gouttes entre les deux rails et assurez-vous de sa stabilité avant de mettre un plat sur le plateau (voyez la figure suivante).



Zone de la position du brûleur Type de gaz/tension gazeuse	2900 W Avant / gauche	1000 W Avant / droit	2000 W Arrière / droit	2000 W Arrière / gauche
Gaz naturel 10 cm (4 po)	1.55 mm	0.90 mm	1.25 mm	1.25 mm
Propane 27,9 cm (11 po)	0.87 mm	0.50 mm	0.72 mm	0.72 mm
	FOUR		GRILLAGE	
Gaz naturel 10 cm (4 po)	1.30 mm		1.30 mm	
Propane 27,9 cm (11 po)	0.73 mm		0.73 mm	

8 Dépannage

DANGER

Risque de choc électrique, d'un court-circuit ou d'incendie à cause de réparations effectuées par des non professionnels.

Les réparations sur l'appareil doivent être effectuées par un centre de service agréé.

Conditions de fonctionnement normal

- De la fumée et de l'odeur peuvent être dégagées pour une couple d'heures au cours de la première opération.
- Il est normal que la vapeur s'échappe durant le fonctionnement.
- Lorsque les pièces en métal sont chauffées, elles peuvent s'étendre et faire du bruit.

Avant d'appeler le service, veuillez vérifier les points suivants

Équipement électrique

Dysfonctionnement/ problème	Cause possible	Conseil/solution
L'appareil ne fonctionne pas.	Le fusible du panneau est défectueux ou a sauté.	Vérifiez les fusibles dans le panneau de fusibles. Si nécessaire, remplacez-le ou réinitialisez-le.
	La fiche de l'appareil ne peut pas être branchée à la prise mise à la terre.	Vérifiez l'accouplement à fiche.
	Les boutons de minuterie ne fonctionnent pas.	Le verrou peut être activé. Désactivez le verrou (consultez la rubrique Comment utiliser le verrou de programmation,
Lampe du four ne s'allume pas.	La lampe du four est défectueuse.	Remplacez la lampe du four.
	Pas d'alimentation.	Vérifiez les fusibles dans le panneau de fusibles. Si nécessaire, remplacez-le ou réinitialisez-le.
Four ne chauffe pas.	Le sélecteur de fonction et le bouton de réglage de température ne sont pas réglés.	Réglez le sélecteur de fonction et le bouton de réglage de température.
	Si l'appareil possède une minuterie, la minuterie peut ne pas être réglée.	Réglez la minuterie.
	Pas d'alimentation.	Vérifiez l'alimentation principale et le panneau de fusibles.

Si le problème n'est pas résolu :

1. Séparez l'appareil de l'alimentation principale (désactivez ou dévissez le fusible).
2. Appelez le service après-vente chez votre concessionnaire.

IMPORTANT :

Ne tentez pas de réparer l'appareil vous-mêmes. Il n'y a pas d'articles pour réparation par le client dans cet appareil.

9 Déclaration de garantie pour les cuisinières électriques et à gaz

Les garanties fournies par Blomberg dans ces déclarations ne s'appliquent qu'aux cuisinières électriques et à gaz Blomberg vendu à l'acheteur ou propriétaire original aux États-Unis et au Canada. Cette garantie n'est pas transférable.

Pour obtenir un service de garantie, veuillez communiquer avec notre distributeur le plus proche tel qu'indiqué par province ou composez le 1 800 459-9848. Vous aurez besoin de votre numéro de modèle de cuisinière électrique ou à gaz, le numéro de série, nom du détaillant et son adresse, lieu d'achat et la date d'achat / date d'installation.

La présente garantie vous offre des droits précis. Il est possible que vous disposiez également d'autres droits, qui varient d'un État ou d'une province à l'autre.

Toutes les garanties énoncées ci-dessous sont basées sur un usage domestique normal. **L'utilisation du produit dans un contexte commercial annulera toutes les garanties.**

Le service doit également être effectué par un organisme autorisé Blomberg.

Les défauts apparents doivent être signalés dans les 10 jours ouvrables à partir de l'installation.

1 an * de garantie limitée de la date de première installation — Blomberg réparera ou remplacera sans frais pour le consommateur toute pièce défectueuse des cuisinières électriques et à gaz et la main-d'oeuvre engagée.

2 ans * + de garantie limitée de la date de première installation (pièces

seulement) — Blomberg réparera ou remplacera toute pièce sans aucun coût pour le consommateur si les défauts de matériau ou de fabrication ont causé le dommage ou l'échec de ces composants. Les frais de la main-d'œuvre sont la responsabilité du consommateur.

2-5 ans * ++ de garantie limitée de la date de première installation (pièces seulement) — Blomberg réparera ou remplacera la cavité du four sans aucun coût pour le consommateur si les défauts de matériau ou de fabrication ont causé le dommage ou l'échec de ces composants.

Les frais de la main-d'œuvre sont la responsabilité du consommateur

Refus de garanties et exclusions :

La garantie ne couvre pas les frais de service par un agent de service autorisé pour corriger l'installation, les problèmes électriques ou les renseignements sur l'utilisation des cuisinières électriques et à gaz. La garantie ne couvre pas les défauts ou dommages causés par un acte de Dieu (comme les tempêtes, inondations, incendies, glissements de terrain, etc.), des dommages causer par l'utilisation des cuisinières électriques et à gaz à des fins autres que celles pour lesquelles elles ont été conçues; abus, accident, modification, installation incorrecte, entretien, frais de déplacement, les appels de service en dehors des heures normales de service, le travail de service ou le travail non autorisé.

Ce produit est entièrement testé et passé par des inspections officielles d'assurance qualité avant de quitter le site de fabrication d'origine.

Les conditions de garantie pour cet électroménager Blomberg ne sont pas valides si le produit est falsifié, saboté, modifié, assemblé de pièces supplémentaires, réparé et remballé par un distributeur, réparateur, détaillant de tiers, revendeur ou par tout autre individu non autorisé(s). DANS LA MESURE AUTORISÉE PAR LA LOI, CETTE GARANTIE REMPLACE TOUTE AUTRE GARANTIE EXPRESSE OU IMPLICITE, Y COMPRIS TOUTE GARANTIE IMPLICITE DE QUALITÉ MARCHANDE ET D'UN USAGE PARTICULIER. BLOMBERG N'ASSUME AUCUNE RESPONSABILITÉ POUR LA QUALITÉ DE CE PRODUIT SAUF DISPOSITION CONTRAIRE DANS LA PRÉSENTE DÉCLARATION DE GARANTIE. BLOMBERG N'ACCEPTE AUCUNE RESPONSABILITÉ QUE LE PRODUIT SERA EN FORME POUR UN USAGE PARTICULIER POUR LEQUEL VOUS AVEZ ACHETÉ CE PRODUIT, SAUF DISPOSITION CONTRAIRE DANS LA PRÉSENTE DÉCLARATION DE GARANTIE.

Blomberg n'assume aucune responsabilité pour des dommages directs ou indirects. De tels dommages incluent, mais ne sont pas limités à, perte de profits, perte d'économies ou de revenus, perte d'utilisation de la cuisinière ou tout autre équipement associé, coût du capital, le coût de tout matériel de substitution, les installation ou services, les temps d'arrêt, les revendications des tiers, et les dommages à la propriété. Certaines provinces ou certains États n'autorisant pas l'exclusion ou la limitation des dommages consécutifs ou accessoires, il se peut que l'exclusion ou la limitation précitée ne s'applique pas à vous.

* La date d'installation se réfère à la date d'achat ou 5 jours ouvrables après la livraison du produit au domicile, la date la plus tardive étant retenue.

++Les pièces remplacées seront prendront l'identité des pièces d'origine et de leur garantie d'origine.

Aucune autre garantie. Cette déclaration de garantie est la garantie complète et exclusive du fabricant. Aucun employé(e) de Blomberg ou toute autre partie n'est autorisé(e) à faire des déclarations de garantie en plus de celles faites dans cette déclaration de garantie.

Veuillez conserver cette carte de garantie, le manuel d'utilisateur et votre reçu de vente pour référence future.

COMMENT OBTENIR DU SERVICE

Veuillez contacter le distributeur pour votre État ou province répertorié sur la liste des contacts de distributeur, ou appeler notre numéro sans frais au 1 800 459-9848 pour la direction chez un agent de service autorisé Blomberg. 02 01

Free Manuals Download Website

<http://myh66.com>

<http://usermanuals.us>

<http://www.somanuals.com>

<http://www.4manuals.cc>

<http://www.manual-lib.com>

<http://www.404manual.com>

<http://www.luxmanual.com>

<http://aubethermostatmanual.com>

Golf course search by state

<http://golfingnear.com>

Email search by domain

<http://emailbydomain.com>

Auto manuals search

<http://auto.somanuals.com>

TV manuals search

<http://tv.somanuals.com>