

Refrigerator
Kühlschrank
Réfrigérateur
Køleskab
Koelkast

KNM 1551 i A+
KNM 1551 iF A+

Bedienungsanleitung
Operating instructions

Blomberg

Download from [Www.Somanuals.com](http://www.Somanuals.com). All Manuals Search And Download.

Jääkaappi
Kjøleskap
Kylskåp
无霜式冰箱
Chladnička

KNM 1551 i A+
KNM 1551 iF A+

Bedienungsanleitung
Operating instructions

Blomberg

Download from www.somanuals.com. All Manuals Search And Download.

Chladnička
Холодильник
Frigorífico
Šaldytuvas
Ψυγείο

KNM 1551 i A+
KNM 1551 iF A+

Bedienungsanleitung
Operating instructions

Blomberg

Download from www.somanuals.com. All Manuals Search And Download.

Hladnjak

KNM 1551 i A+
KNM 1551 iF A+

Bedienungsanleitung
Operating instructions

Blomberg

Download from [Www.Somanuals.com](http://www.somanuals.com). All Manuals Search And Download.

Please read this manual first!

Dear Customer,

We hope that your product, which has been produced in modern plants and checked under the most meticulous quality control procedures, will provide you an effective service.

For this, we recommend you to carefully read the entire manual of your product before using it and keep it at hand for future references.




This manual

- Will help you use your appliance in a fast and safe way.
- Read the manual before installing and operating your product.
- Follow the instructions, especially those for safety.
- Keep the manual in an easily accessible place as you may need it later.
- Besides, read also the other documents provided with your product.

Please note that this manual may be valid for other models as well.

Symbols and their descriptions

This instruction manual contains the following symbols:

-  Important information or useful usage tips.
-  Warning against dangerous conditions for life and property.
-  Warning against electric voltage.



This product is supplied with the selective sorting symbol for waste electrical and electronic equipment (WEEE).

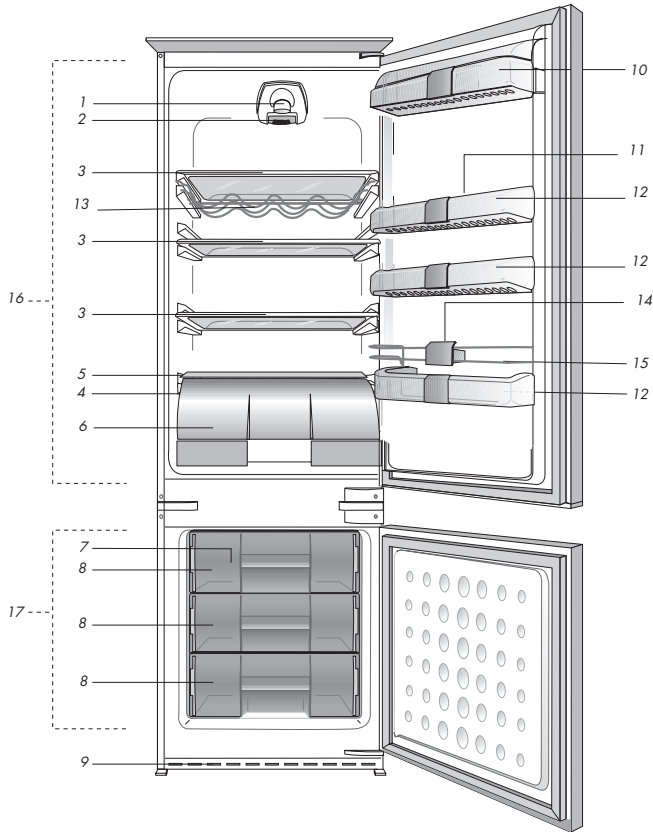
This means that this product must be handled pursuant to European Directive 2002/96/EC in order to be recycled or dismantled to minimise its impact on the environment. For further information, please contact your local or regional authorities.

Electronic products not included in the selective sorting process are potentially dangerous for the environment and human health due to the presence of hazardous substances.

CONTENTS

1 Your refrigerator	3	4 Preparation	13
2 Important Safety Warnings	4	5 Using your refrigerator	14
Intended use	4	Thermostat setting button.....	14
For products with a water dispenser; ..	6	Defrost	14
Child safety.....	6	Zero temperature compartment.....	15
HCA Warning	6		
Things to be done for energy saving ..	7		
3 Installation	8	6 Maintenance and cleaning	16
Points to be considered when re-transporting your refrigerator	8	Protection of plastic surfaces	16
Before operating your refrigerator	8		
Electric connection	8	7 Recommended solutions for the problems	17
Disposing of the packaging	9		
Disposing of your old refrigerator	9		
Placing and Installation	9		
Replacing the interior light bulb	10		
Reversing the doors	11		
Reversing the doors	12		

1 Your refrigerator



- | | |
|--|-----------------------------|
| 1. Interior light | 9. Air grille |
| 2. Temperature setting knob | 10. Dairy compartment |
| 3. Adjustable shelves | 11. Egg tray |
| 4. Defrost water collection channel - Drain tube | 12. Adjustable door shelves |
| 5. Crisper cover | 13. Bottle shelf |
| 6. 0 °C Compartment | 14. Bottle holder |
| 7. Ice bank | 15. Bottle shelter wire |
| 8. Freezer compartment | 16. Fridge compartment |
| | 17. Freezer compartment |

Figures that take place in this instruction manual are schematic and may not correspond exactly with your product. If the subject parts are not included in the product you have purchased, then it is valid for other models.

2 Important Safety Warnings

Please review the following information. Failure to observe this information may cause injuries or material damage. Otherwise, all warranty and reliability commitments will become invalid.

The usage life of the unit you purchased is 10 years. This is the period for keeping the spare parts required for the unit to operate as described.

Intended use

This product is intended to be used

- indoors and in closed areas such as homes;
- in closed working environments such as stores and offices;
- in closed accommodation areas such as farm houses, hotels, pensions.
- This product should not be used outdoors.

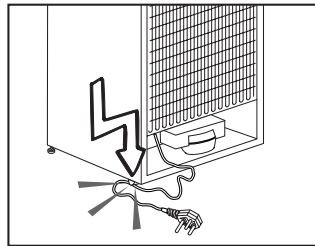
General safety

- When you want to dispose/scrap the product, we recommend you to consult the authorized service in order to learn the required information and authorized bodies.
- Consult your authorized service for all your questions and problems related to the refrigerator. Do not intervene or let someone intervene to the refrigerator without notifying the authorised services.
- For products with a freezer compartment; Do not eat cone ice cream and ice cubes immediately after you take them out of the freezer compartment! (This may cause frostbite in your mouth.)
- For products with a freezer compartment; Do not put bottled and canned liquid beverages in the freezer compartment. Otherwise, these may burst.
- Do not touch frozen food by hand; they may stick to your hand.
- Unplug your refrigerator before cleaning or defrosting.
- Vapor and vaporized cleaning materials should never be used in cleaning and defrosting processes of your refrigerator. In such cases, the vapor may get in contact with the electrical parts and cause short circuit or electric shock.
- Never use the parts on your refrigerator such as the door as a means of support or step.
- Do not use electrical devices inside the refrigerator.
- Do not damage the parts, where the refrigerant is circulating, with drilling or cutting tools. The refrigerant that might blow out when the gas channels of the evaporator, pipe extensions or surface coatings are punctured causes skin irritations and eye injuries.
- Do not cover or block the ventilation holes on your refrigerator with any material.
- Electrical devices must be repaired by only authorised persons. Repairs performed by incompetent persons create a risk for the user.
- In case of any failure or during a maintenance or repair work, disconnect your refrigerator's mains supply by either turning off the relevant fuse or unplugging your appliance.

- Do not pull by the cable when pulling off the plug.
- Place the beverage with higher proofs tightly closed and vertically.
- Never store spray cans containing flammable and explosive substances in the refrigerator.
- Do not use mechanical devices or other means to accelerate the defrosting process, other than those recommended by the manufacturer.
- This product is not intended to be used by persons with physical, sensory or mental disorders or unlearned or inexperienced people (including children) unless they are attended by a person who will be responsible for their safety or who will instruct them accordingly for use of the product
- Do not operate a damaged refrigerator. Consult with the service agent if you have any concerns.
- Electrical safety of your refrigerator shall be guaranteed only if the earth system in your house complies with standards.
- Exposing the product to rain, snow, sun and wind is dangerous with respect to electrical safety.
- Contact authorized service when there is a power cable damage to avoid danger.
- Never plug the refrigerator into the wall outlet during installation. Otherwise, risk of death or serious injury may arise.
- This refrigerator is intended for only storing food items. It must not be used for any other purpose.
- Label of technical specifications is located on the left wall inside the refrigerator.
- Never connect your refrigerator to

electricity-saving systems; they may damage the refrigerator.

- If there is a blue light on the refrigerator, do not look at the blue light with optical tools.
- For manually controlled refrigerators, wait for at least 5 minutes to start the refrigerator after power failure.
- This operation manual should be handed in to the new owner of the product when it is given to others.
- Avoid causing damage on power cable when transporting the refrigerator. Bending cable may cause fire. Never place heavy objects on power cable. Do not touch the plug with wet hands when plugging the product.



- Do not plug the refrigerator if the wall outlet is loose.
- Water should not be sprayed directly on inner or outer parts of the product for safety purposes.
- Do not spray substances containing inflammable gases such as propane gas near the refrigerator to avoid fire and explosion risk.
- Never place containers filled with water on top of the refrigerator, otherwise this may cause electric shock or fire.
- Do not overload your refrigerator with excessive amounts of food. If overloaded, the food items may fall down and hurt you and damage

refrigerator when you open the door. Never place objects on top of the refrigerator; otherwise, these objects may fall down when you open or close the refrigerator's door.

- As they require a precise temperature, vaccines, heat-sensitive medicine and scientific materials and etc. should not be kept in the refrigerator.
- If not to be used for a long time, refrigerator should be unplugged. A possible problem in power cable may cause fire.
- The plug's tip should be regularly cleaned; otherwise, it may cause fire.
- The plug's tip should be cleaned regularly with a dry cloth; otherwise, it may cause fire.
- Refrigerator may move if adjustable legs are not properly secured on the floor. Properly securing adjustable legs on the floor can prevent the refrigerator to move.
- When carrying the refrigerator, do not hold it from door handle. Otherwise, it may be snapped.
- When you have to place your product next to another refrigerator or freezer, the distance between devices should be at least 8cm. Otherwise, adjacent side walls may be humidified.

For products with a water dispenser;

Pressure of water mains should be minimum 1 bar. Pressure of water mains should be maximum 8 bars.

- Use only potable water.

Child safety

- If the door has a lock, the key should be kept away from reach of children.
- Children must be supervised to prevent them from tampering with the product.

HCA Warning

If your product's cooling system contains R600a:

This gas is flammable. Therefore, pay attention to not damaging the cooling system and piping during usage and transportation. In the event of damage, keep your product away from potential fire sources that can cause the product catch a fire and ventilate the room in which the unit is placed.

Ignore this warning if your product's cooling system contains R134a.

Type of gas used in the product is stated in the type plate which is on the left wall inside the refrigerator.

Never throw the product in fire for disposal.

Things to be done for energy saving

- Do not leave the doors of your refrigerator open for a long time.
- Do not put hot food or drinks in your refrigerator.
- Do not overload your refrigerator so that the air circulation inside of it is not prevented.
- Do not install your refrigerator under direct sunlight or near heat emitting appliances such as ovens, dishwashers or radiators.
- Pay attention to keep your food in closed containers.
- For products with a freezer compartment; You can store maximum amount of food items in the freezer when you remove the shelf or drawer of the freezer. Energy consumption value stated for your refrigerator has been determined by removing freezer shelf or drawer and under maximum load. There is no harm to use a shelf or drawer according to the shapes and size of food to be frozen.
- Thawing frozen food in fridge compartment will both provide energy saving and preserve the food quality.

3 Installation

⚠ Please remember that the manufacturer shall not be held liable if the information given in the instruction manual is not observed.

Points to be considered when re-transporting your refrigerator

1. Your refrigerator must be emptied and cleaned prior to any transportation.
2. Shelves, accessories, crisper and etc. in your refrigerator must be fastened securely by adhesive tape against any jolt before repackaging.
3. Packaging must be tied with thick tapes and strong ropes and the rules of transportation printed on the package must be followed.

Please do not forget...

Every recycled material is an indispensable source for the nature and for our national resources.

If you wish to contribute to recycling the packaging materials, you can get further information from the environmental bodies or local authorities.

Before operating your refrigerator

Before starting to use your refrigerator check the following:

1. Is the interior of the refrigerator dry and can the air circulate freely in the rear of it?
2. Please install the 2 plastic wedges as illustrated in the figure. Plastic wedges will provide the required distance between your refrigerator and the wall in order to allow the air circulation. (The illustrated figure is only an example and does not match exactly with your product.)

3. Clean the interior of the refrigerator as recommended in the "Maintenance and cleaning" section.
4. Plug the refrigerator into the wall outlet. When the fridge door is open, the fridge compartment interior light will come on.
5. You will hear a noise as the compressor starts up. The liquid and gases sealed within the refrigeration system may also give rise to noise, even if the compressor is not running and this is quite normal.
6. Front edges of the refrigerator may feel warm. This is normal. These areas are designed to be warm to avoid condensation

Electric connection

Connect your product to a grounded socket which is being protected by a fuse with the appropriate capacity.

Important:

- The connection must be in compliance with national regulations.
- The power cable plug must be easily accessible after installation.
- The specified voltage must be equal to your mains voltage.
- Extension cables and multiway plugs must not be used for connection.

⚠ A damaged power cable must be replaced by a qualified electrician.

⚠ Product must not be operated before it is repaired! There is danger of electric shock!

Disposing of the packaging

The packing materials may be dangerous for children. Keep the packing materials out of the reach of children or dispose of them by classifying them in accordance with the waste instructions. Do not dispose of them along with the normal household waste.

The packing of your refrigerator is produced from recyclable materials.


Disposing of your old refrigerator

Dispose of your old refrigerator without giving any harm to the environment.

- You may consult your authorised dealer or waste collection center of your municipality about the disposal of your refrigerator.

Before disposing of your refrigerator, cut out the electric plug and, if there are any locks on the door, make them inoperable in order to protect children against any danger.

Placing and Installation

 If the entrance door of the room where the refrigerator will be installed is not wide enough for the refrigerator to pass through, then call the authorised service to have them remove the doors of your refrigerator and pass it sideways through the door.

1. Install your refrigerator to a place that allows ease of use.
2. Keep your refrigerator away from heat sources, humid places and direct sunlight.

3. There must be appropriate air ventilation around your refrigerator in order to achieve an efficient operation. If the refrigerator is to be placed in a recess in the wall, there must be at least 5 cm distance with the ceiling and at least 5 cm with the wall. If the floor is covered with a carpet, your product must be elevated 2.5 cm from the floor.
4. Place your refrigerator on an even floor surface to prevent jolts.
5. Do not keep your refrigerator in ambient temperatures under 10°C.

④ This appliance is designed to operate at temperatures specified in the table below is equipped with Advanced Electronic Temperature Control System [AETCS] which ensures that at the advised setting [4 - four on the knob] the frozen food in the freezer will not defrost even if the ambient temperature falls as low as -15 °C. When first installed the product MUST NOT be placed in low ambient temperatures because the freezer will not reduce to its standard operating temperature. Once it has reached its steady operating state it can be re-located. So you may then install your appliance in a garage or an unheated room without having to worry about frozen food in the freezer being spoilt. However at low ambient temperatures mentioned above, fridge contents are likely to freeze, so check and consume food in the fridge accordingly. When the ambient temperature returns to normal, you may change the knob setting to suit your needs.

④ If the ambient temperature is below 0°C, the food in the fridge compartment will freeze. So, we recommend you don't use the fridge compartment in such low ambient conditions. You can continue using the freezer compartment as usual.

Replacing the interior light bulb

Should the light fail to work, proceed as follows.

1- Switch off at the socket outlet and pull out the mains plug.

You may find it useful to remove shelves for easy access.

2- Use a flat tipped screwdriver to remove the light diffuser cover.

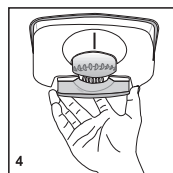
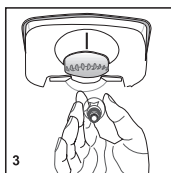
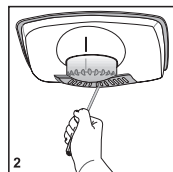
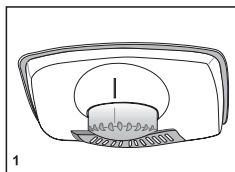
3- First check that the bulb hasn't worked loose by ensuring it is screwed securely in the holder. Replace the plug and switch on.

If the bulb works, replace the light cover by inserting the rear lug and pushing up to locate the front two lugs.

4- If the light still fails to work, switch off at the socket outlet and pull out the mains plug. Replace the bulb with a new 15 watt (max) screw cap (SES) bulb.

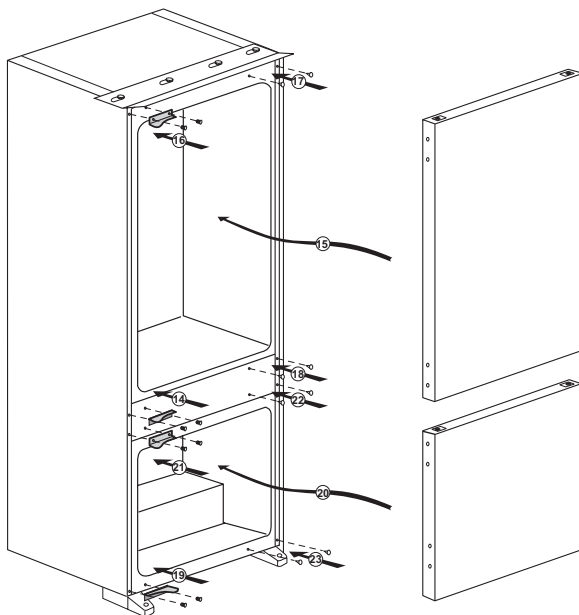
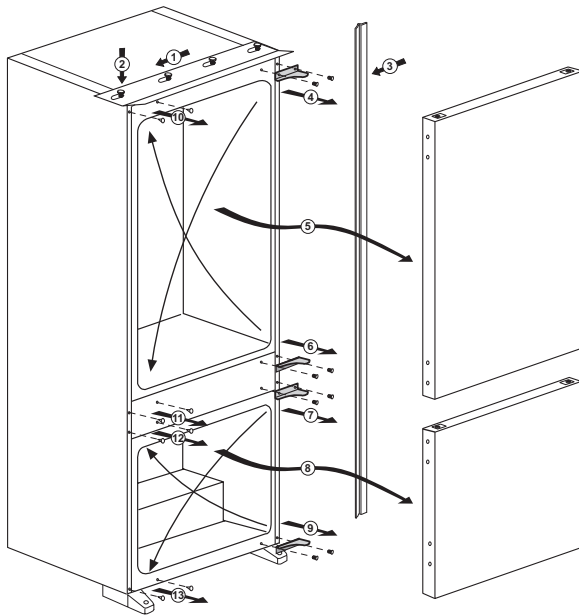
5- Carefully dispose of the burnt-out light bulb immediately.

Replacement light bulb can easily be obtained from a good local electrical or DIY store.



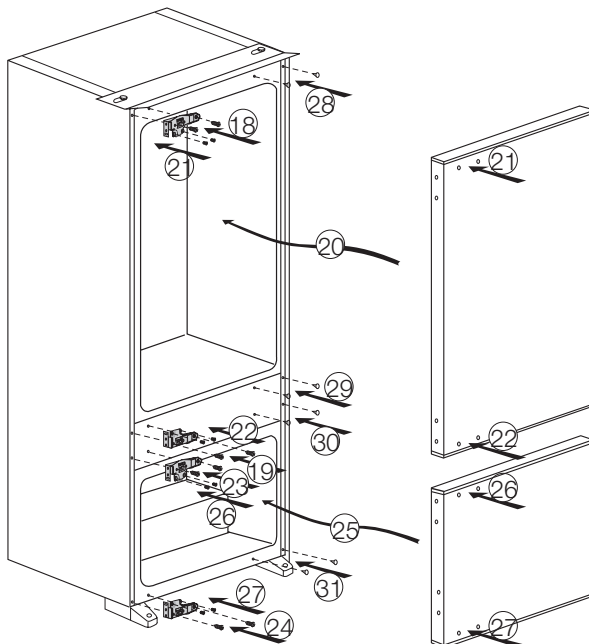
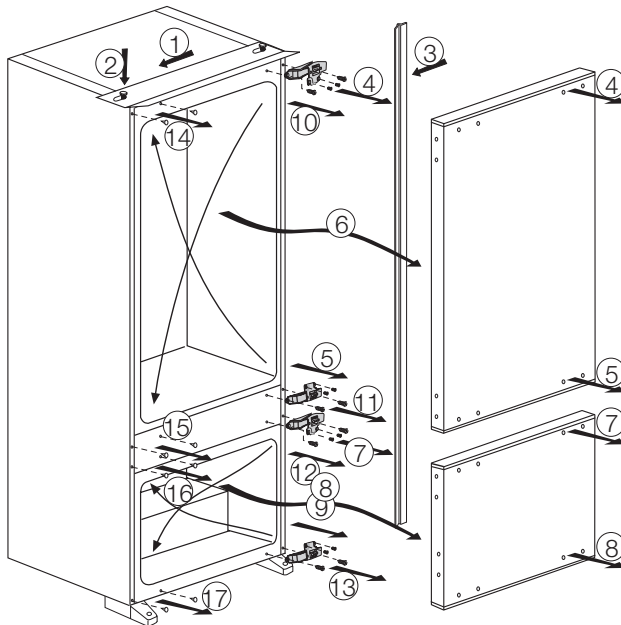
Reversing the doors

Proceed in numerical order



Reversing the doors

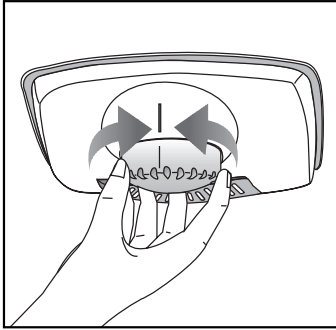
Proceed in numerical order



4 Preparation

- i** Your refrigerator should be installed at least 30 cm away from heat sources such as hobs, ovens, central heater and stoves and at least 5 cm away from electrical ovens and should not be located under direct sunlight.
- i** The ambient temperature of the room where you install your refrigerator should at least be 10°C. Operating your refrigerator under cooler conditions than this is not recommended with regard to its efficiency.
- i** Please make sure that the interior of your refrigerator is cleaned thoroughly.
- i** If two refrigerators are to be installed side by side, there should be at least 2 cm distance between them.
- i** When you operate your refrigerator for the first time, please observe the following instructions during the initial six hours.
 - The door should not be opened frequently.
 - It must be operated empty without any food in it.
 - Do not unplug your refrigerator. If a power failure occurs out of your control, please see the warnings in the “Recommended solutions for the problems” section.
- i** Original packaging and foam materials should be kept for future transportations or moving.

5 Using your refrigerator



Thermostat setting button

The interior temperature of your refrigerator changes for the following reasons;

- Seasonal temperatures,
- Frequent opening of the door and leaving the door open for long periods,
- Food put into the refrigerator without cooling down to the room temperature,
- The location of the refrigerator in the room (e.g. exposing to sunlight).
- You may adjust the varying interior temperature due to such reasons by using the thermostat. Numbers around the thermostat button indicates the cooling degrees.
- If the ambient temperature is higher than 32 °C, turn the thermostat button to maximum position.
- If the ambient temperature is lower than 25 °C, turn the thermostat button to minimum position.

Defrost

Fridge compartment

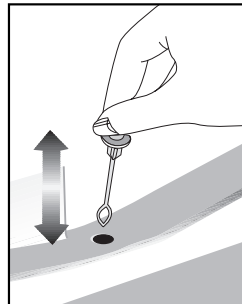
Fridge compartment performs full-automatic defrosting. Water drops and a frosting up to 7-8 mm can occur on the inner rear wall of the fridge compartment while your refrigerator cools down. Such formation is normal as a result of the cooling system. The frost formation is defrosted by performing automatic defrosting with certain intervals thanks to the automatic defrosting system of the rear wall. User is not required to scrape the frost or remove the water drops.

Water resulting from the defrosting passes from the water collection groove and flows into the evaporator through the drain pipe and evaporates here by itself.

Check regularly to see if the drain pipe is clogged or not and clear it with the stick in the hole when necessary.

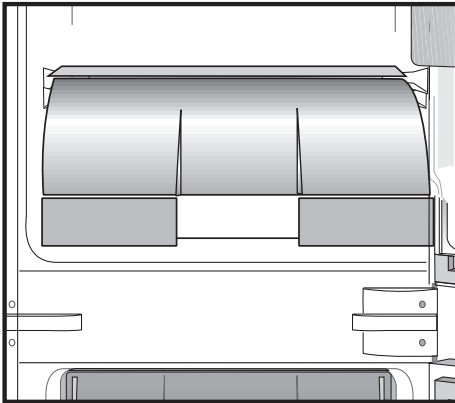
Deep freezer compartment does not perform automatic defrosting in order to prevent decaying of the frozen food

The freezer compartment defrosts automatically.



Zero temperature compartment

This compartment has been designed to store frozen food which would be thawed slowly (meat, fish, chicken, etc.) as required. Zero temperature compartment is the coldest place of your refrigerator in which dairy products (cheese, butter), meat, fish or chicken may be kept at ideal storage conditions. Vegetables and/or fruits must not be placed in this compartment.



6 Maintenance and cleaning

- ⚠ Never use gasoline, benzene or similar substances for cleaning purposes.
- ⚠ We recommend that you unplug the appliance before cleaning.
- ⚠ Never use any sharp abrasive instrument, soap, household cleaner, detergent and wax polish for cleaning.
- ℹ Use lukewarm water to clean the cabinet of your refrigerator and wipe it dry.
- ℹ Use a damp cloth wrung out in a solution of one teaspoon of bicarbonate of soda to one pint of water to clean the interior and wipe it dry.
- ⚠ Make sure that no water enters the lamp housing and other electrical items.
- ⚠ If your refrigerator is not going to be used for a long period of time, unplug the power cable, remove all food, clean it and leave the door ajar.
- ℹ Check door seals regularly to ensure they are clean and free from food particles.
- ⚠ To remove door racks, remove all the contents and then simply push the door rack upwards from the base.

Protection of plastic surfaces

- ℹ Do not put the liquid oils or oil-cooked meals in your refrigerator in unsealed containers as they damage the plastic surfaces of your refrigerator. In case of spilling or smearing oil on the plastic surfaces, clean and rinse the relevant part of the surface at once with warm water.

7 Recommended solutions for the problems

Please review this list before calling the service. It might save you time and money. This list includes frequent complaints that are not arising from defective workmanship or material usage. Some of the features described here may not exist in your product.

The refrigerator does not operate.

- Is the refrigerator properly plugged in? Insert the plug to the wall socket.
- Is the fuse of the socket which your refrigerator is connected to or the main fuse blown out? Check the fuse.

Condensation on the side wall of the fridge compartment (MULTIZONE, COOL CONTROL and FLEXI ZONE).

- Very cold ambient conditions. Frequent opening and closing of the door. Highly humid ambient conditions. Storage of food containing liquid in open containers. Leaving the door ajar. Switching the thermostat to a colder degree.
- Decreasing the time the door left open or using it less frequently.
- Covering the food stored in open containers with a suitable material.
- Wipe the condensation using a dry cloth and check if it persists.

Compressor is not running

- Protective thermic of the compressor will blow out during sudden power failures or plug-out plug-ins as the refrigerant pressure in the cooling system of the refrigerator has not been balanced yet. Your refrigerator will start running approximately after 6 minutes. Please call the service if the refrigerator does not startup at the end of this period.
- The fridge is in defrost cycle. This is normal for a full-automatically defrosting refrigerator. Defrosting cycle occurs periodically.
- Your refrigerator is not plugged into the socket. Make sure that the plug is properly fit into the socket.
- Are the temperature adjustments correctly made?
- Power might be cut off.

The fridge is running frequently or for a long time.

- Your new product may be wider than the previous one. This is quite normal. Large refrigerators operate for a longer period of time.
- The ambient room temperature may be high. This is quite normal.
- The refrigerator might have been plugged in recently or might have been loaded with food. Cooling down of the refrigerator completely may last for a couple of hours longer.
- Large amounts of hot food might have been put in the refrigerator recently. Hot food causes longer running of the refrigerator until they reach the safe storage temperature.
- Doors might have been opened frequently or left ajar for a long time. The warm air that has entered into the refrigerator causes the refrigerator to run for longer periods. Open the doors less frequently.
- Freezer or fridge compartment door might have been left ajar. Check if the doors are tightly closed.
- The refrigerator is adjusted to a very low temperature. Adjust the refrigerator temperature to a warmer degree and wait until the temperature is achieved.
- Door seal of the fridge or freezer may be soiled, worn out, broken or not properly seated. Clean or replace the seal. Damaged/broken seal causes the refrigerator to run for a longer period of time in order to maintain the current temperature.

Freezer temperature is very low while the fridge temperature is sufficient.

- The freezer temperature is adjusted to a very low temperature. Adjust the freezer temperature to a warmer degree and check.

Fridge temperature is very low while the freezer temperature is sufficient.

- The fridge temperature might have been adjusted to a very low temperature. Adjust the fridge temperature to a warmer degree and check.

Food kept in the fridge compartment drawers are freezing.

- The fridge temperature might have been adjusted to a very low temperature. Adjust the fridge temperature to a warmer degree and check.

Temperature in the fridge or freezer is very high.

- The fridge temperature might have been adjusted to a very high degree. Fridge adjustment has an effect on the temperature of the freezer. Change the temperature of the fridge or freezer until the fridge or freezer temperature reaches to a sufficient level.
- Doors might have been opened frequently or left ajar for a long time; open them less frequently.
- Door might have been left ajar; close the door completely.
- Large amount of hot food might have been put in the refrigerator recently. Wait until the fridge or freezer reaches the desired temperature.
- The refrigerator might have been plugged in recently. Cooling down of the refrigerator completely takes time.

The operation noise increases when the refrigerator is running.

- The operating performance of the refrigerator may change due to the changes in the ambient temperature. It is normal and not a fault.

Vibrations or noise.

- The floor is not even or it is weak. The refrigerator rocks when moved slowly. Make sure that the floor is strong enough to carry the refrigerator, and level.
- The noise may be caused by the items put onto the refrigerator. Items on top of the refrigerator should be removed.

There are noises coming from the refrigerator like liquid spilling or spraying.

- Liquid and gas flows happen in accordance with the operating principles of your refrigerator. It is normal and not a fault.

There is a noise like wind blowing.

- Fans are used in order to cool the refrigerator. It is normal and not a fault.

Condensation on the inner walls of refrigerator.

- Hot and humid weather increases icing and condensation. It is normal and not a fault.
- Doors might have been left ajar; make sure that the doors are closed fully.
- Doors might have been opened frequently or left ajar for a long time; open them less frequently.

Humidity occurs on the outside of the refrigerator or between the doors.

- There might be humidity in the air; this is quite normal in humid weather. When the humidity is less, condensation will disappear.

Bad odor inside the refrigerator.

- Inside of the refrigerator must be cleaned. Clean the inside of the refrigerator with a sponge, lukewarm water or carbonated water.
- Some containers or package materials might cause the smell. Use a different container or different brand packaging material.

The door is not closing.

- Food packages may prevent the door's closing. Replace the packages that are obstructing the door.
- The refrigerator is not completely upright on the floor and rocking when slightly moved. Adjust the elevation screws.
- The floor is not level or strong. Make sure that the floor is level and capable to carry the refrigerator.

Crispers are stuck.

- The food might be touching the ceiling of the drawer. Rearrange food in the drawer.

Bitte lesen Sie zuerst diese Anleitung!

Sehr geehrte Kundin, sehr geehrter Kunde,

Wir sind sicher, dass Ihnen dieses Produkt, das in modernsten Fertigungsstätten hergestellt und den strengsten Qualitätsprüfungen unterzogen wurde, lange Zeit gute Dienste leisten wird.

Wir empfehlen Ihnen, vor Inbetriebnahme des Gerätes das gesamte Handbuch durchzulesen und es anschließend aufzubewahren.

Diese Anleitung...




... hilft Ihnen, Ihr Gerät schnell und sicher bedienen zu können.

- Lesen Sie die Anleitung, bevor Sie Ihr Produkt aufstellen und bedienen.
- Halten Sie sich an die Anweisungen, beachten Sie insbesondere die Sicherheitshinweise.
- Bewahren Sie die Anleitung an einem leicht zugänglichen Ort auf, damit Sie jederzeit darin nachschlagen können.
- Lesen Sie auch die weiteren Dokumente, die mit Ihrem Produkt geliefert wurden.

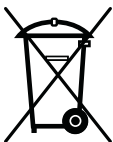
Bitte beachten Sie, dass diese Anleitung eventuell auch für andere Geräte eingesetzt werden kann.

Symbole und ihre Bedeutung

In dieser Anleitung finden Sie die folgenden Symbole:

-  Wichtige Informationen oder nützliche Tipps.
-  Warnung vor Verletzungen oder Beschädigungen.
-  Warnung vor elektrischem Strom.

Recycling



Dieses Produkt ist mit dem selektiven Entsorgungssymbol für elektrische und elektronische Altgeräte (WEEE) gekennzeichnet.

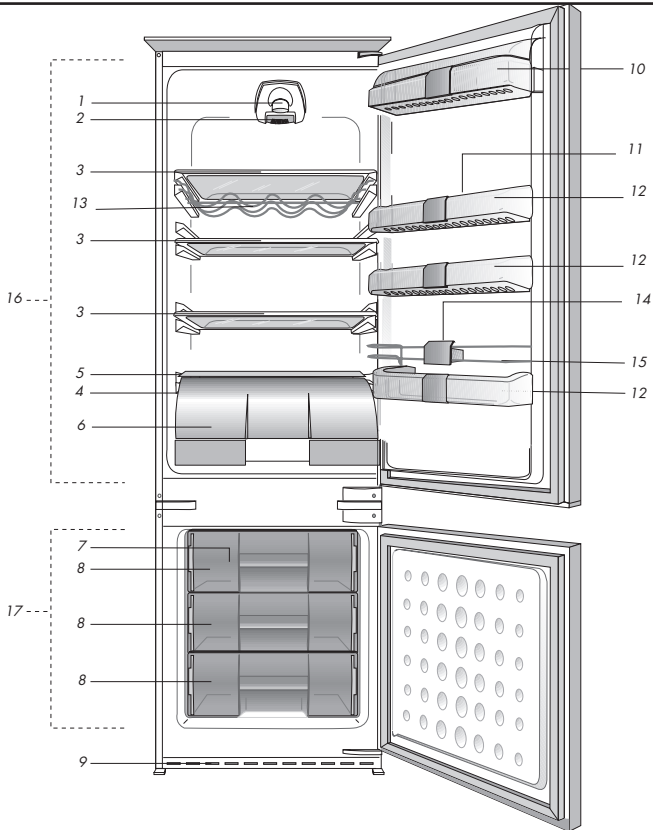
Das bedeutet, dass dieses Produkt gemäß der europäischen Richtlinie 2002/96/EC gehandhabt werden muss, um mit nur minimalen umweltspezifischen Auswirkungen recycelt oder zerlegt werden zu können. Weitere Informationen erhalten Sie von Ihren regionalen Behörden.

Elektronikprodukte, die nicht durch den selektiven Entsorgungsvorgang erfasst werden, stellen durch das Vorhandensein potenziell gefährlicher Substanzen umwelt- und gesundheitsrelevante Risiken dar.

Inhalt

1 Ihr Kühlschrank	3	4 Vorbereitung	14
2 Wichtige Sicherheitshinweise	4	5 So bedienen Sie Ihren Kühlschrank	15
Bestimmungsgemäßer Gebrauch	4	6 Wartung und Reinigung	16
Allgemeine Hinweise zu Ihrer Sicherheit	4	Schutz der Kunststoffflächen	16
Kinder – Sicherheit	6	7 Empfehlungen zur Problemlösung	17
HCA-Warnung	7		
Dinge, die Sie zum Energiesparen beachten sollten	7		
3 Installation	8		
Was Sie bei einem weiteren Transport Ihres Kühlschranks beachten müssen	8		
Bevor Sie Ihren Kühlschrank einschalten	8		
Verpackungsmaterialien entsorgen	8		
Altgeräte entsorgen	8		
Aufstellung und Installation	9		
Austausch der Innenbeleuchtung	9		
Türanschlag umkehren.....	11		
Türanschlag umkehren.....	12		
0 °C-Fach.....	13		

1 Ihr Kühlschrank



- | | |
|---|-----------------------------|
| 1. Innenbeleuchtung | 10. Dairy Fach |
| 2. Thermostatknopf | 11. Eierhalter |
| 3. Bewegbare Regale | 12. Adjustierende Türfächer |
| 4. Verstellbare Ablagen | 13. Türregal |
| 5. Tauwassersammelkanal -
Abflusskanal | 14. Flaschenhalter |
| 6. 0 °C-Fach | 15. Drahtrahmen |
| 7. Gemüselade | 16. Kühlbereich |
| 8. Kältespeicher | 17. Gefrierfach |
| 9. Gefrierfach | |

i Abbildungen und Angaben in dieser Anleitung sind schematisch und können etwas von Ihrem Produkt abweichen. Wenn die Teile nicht im gekauften Produkt enthalten sind, gelten sie für andere Modelle.

Bitte lesen Sie die folgenden Hinweise aufmerksam durch. Bei Nichtbeachtung kann es zu Verletzungen und/oder Sachschäden kommen. In diesem Fall erlöschen auch sämtliche Garantie- und sonstigen Ansprüche.

Die reguläre Einsatzzeit des von Ihnen erworbenen Gerätes beträgt 10 Jahre. In diesem Zeitraum halten wir Ersatzteile für das Gerät bereit, damit es stets wie gewohnt arbeiten kann.

Bestimmungsgemäßer Gebrauch

- Dieses Gerät ist ausschließlich zum Einsatz im Haushalt und bei ähnlichen Anwendungen vorgesehen:
 - Personalküchen in Geschäften, Büros und an anderen Arbeitsplätzen;
 - Nutzung auf Bauernhöfen, durch Gäste von Hotels, Motels und anderen Herbergen;
 - Private Zimmervermietung;
 - Catering und ähnliche Anwendungsbereiche.
- Das Gerät sollte nicht im Freien benutzt werden. Es ist nicht für die Nutzung außerhalb des Hauses geeignet, auch wenn die Stelle überdacht ist.

Allgemeine Hinweise zu Ihrer Sicherheit

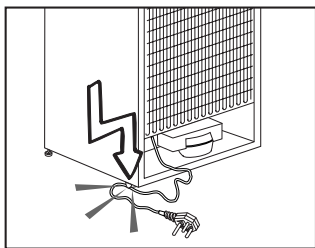
- Wenn Sie das Gerät entsorgen möchten, wenden Sie sich am besten an den autorisierten Kundendienst. Hier erhalten Sie notwendige Informationen und erfahren, welche Stellen für die Entsorgung zuständig sind.
- Bei Problemen und Fragen zum Gerät wenden Sie sich grundsätzlich

an den autorisierten Kundendienst. Ziehen Sie keine Dritten zu Rate, versuchen Sie nichts in Eigenregie, ohne den autorisierten Kundendienst davon in Kenntnis zu setzen.

- Der Verzehr von Speiseeis und Eiswürfeln unmittelbar nach der Entnahme aus dem Tiefkühlbereich ist nicht ratsam. (Dies kann zu Erfrierungen führen.)
- Bewahren Sie Getränke in Flaschen und Dosen niemals im Tiefkühlbereich auf. Diese platzen.
- Berühren Sie gefrorene Lebensmittel nicht mit der Hand; sie können festfrieren.
- Verwenden Sie niemals Dampf- oder Sprühreiniger zum Reinigen und Abtauen Ihres Kühlschranks. Die Dämpfe oder Nebel können in Kontakt mit stromführenden Teilen geraten und Kurzschlüsse oder Stromschläge auslösen.
- Missbrauchen Sie niemals Teile Ihres Kühlschranks (z. B. Tür) als Befestigungen oder Kletterhilfen.
- Nutzen Sie keine elektrischen Geräte innerhalb des Kühlschranks.
- Achten Sie darauf, den Kühlkreislauf keinesfalls mit Bohr- oder Schneidwerkzeugen zu beschädigen. Das Kühlmittel kann herauspritzen, wenn die Gaskanäle des Verdunsters, Rohr- und Schlauchleitungen oder Oberflächenversiegelungen beschädigt werden. Dies kann zu Hautreizungen und Augenverletzungen führen.
- Decken Sie keinerlei Belüftungsöffnungen des Kühlschranks ab.

- Reparaturen an Elektrogeräten dürfen nur von qualifizierten Fachleuten ausgeführt werden. Reparaturen durch weniger kompetente Personen können erhebliche Gefährdungen des Anwenders verursachen.
- Sollten Fehler oder Probleme während der Wartung oder Reparaturarbeiten auftreten, so trennen Sie den Kühlschrank von der Stromversorgung, indem Sie die entsprechende Sicherung abschalten oder den Netzstecker ziehen.
- Ziehen Sie niemals am Netzkabel – ziehen Sie direkt am Stecker.
- Lagern Sie hochprozentige alkoholische Getränke gut verschlossen und aufrecht.
- Lagern Sie keinerlei explosiven Substanzen (dazu zählen auch Sprühdosen mit brennbarem Treibmittel) im Gerät.
- Verwenden Sie ausschließlich vom Hersteller empfohlene Geräte oder sonstige Mittel zum Beschleunigen des Abtaugvorgangs. Benutzen Sie nichts anderes.
- Dieses Gerät darf nicht von Personen (einschließlich Kindern) mit eingeschränkten physischen, sensorischen oder geistigen Fähigkeiten bedient werden. Dies gilt auch für in Bezug auf das Gerät unerfahrene Personen, sofern diese nicht beaufsichtigt oder von einer verantwortlichen Person gründlich in die Bedienung des Gerätes eingewiesen wurden.
- Nehmen Sie einen beschädigten Kühlschrank nicht in Betrieb. Bei Zweifeln wenden Sie sich bitte an den Kundendienst.
- Die elektrische Sicherheit des Gerätes ist nur dann gewährleistet, wenn das hausinterne Erdungssystem den zutreffenden Normen entspricht.
- Setzen Sie das Gerät keinem Regen, Schnee, direktem Sonnenlicht oder Wind aus, da dies die elektrische Sicherheit gefährden kann.
- Bei Beschädigungen von Netzkabeln und ähnlichen Dingen wenden Sie sich an den autorisierten Kundendienst, damit es nicht zu Gefährdungen kommt.
- Stecken Sie während der Installation niemals den Netzstecker ein. Andernfalls kann es zu schweren bis tödlichen Verletzungen kommen.
- Dieses Tiefkühlgerät dient nur zur Aufbewahrung von Lebensmitteln. Für andere Zwecke sollte es nicht verwendet werden.
- Das Schild mit der Beschreibung der technischen Daten des Produkts befindet sich innen links im Tiefkühler.
- Schließen Sie das Kühlgerät nicht an elektronische Energiesparsysteme an, da sonst das Produkt beschädigt werden kann.
- Wenn der Tiefkühler ein blaues Licht zeigt, sehen Sie nicht durch die blauen optischen Teile.
- Wenn die Stromversorgung bei manuell gesteuerten Tiefkühlgeräten abgeschaltet ist, warten Sie bitte mindestens 5 Minuten, bevor Sie den Strom wieder einschalten.
- Diese Bedienungsanleitung sollte bei Besitzerwechsel dem nächsten Besitzer übergeben werden.
- Wenn Sie den Tiefkühler bewegen, stellen Sie sicher, dass Sie das Stromkabel nicht beschädigen. Um Feuer zu vermeiden, verdrehen Sie

das Stromkabel nicht. Schwere Objekte sollten nicht auf das Stromkabel gestellt werden. Wenn der Tiefkühler angeschlossen ist, fassen Sie den Stecker nicht mit nassen Händen an.



- Schließen Sie den Tiefkühler nicht an, wenn die Steckdose lose sitzt.
- Spritzen Sie aus Sicherheitsgründen kein Wasser direkt auf oder in den Tiefkühler.
- Sprühen Sie keine entflammenden Stoffe, wie Propangas usw. in die Nähe des Tiefkühlers. Es besteht Feuer- und Explosionsgefahr.
- Stellen Sie keine mit Wasser gefüllten Objekte auf den Tiefkühler. Ein Kurzschluss oder Feuer könnte die Folge sein.
- Überladen Sie den Tiefkühler nicht. Wenn der Tiefkühler zu voll ist, können Lebensmittel herausfallen. Sie könnten Verletzungen erleiden und der Tiefkühler könnte beschädigt werden. Stellen Sie keine Objekte auf den Tiefkühler. Die Objekte könnten beim Öffnen oder Schließen der Tür herunterfallen.
- Materialien, die bestimmte Temperaturen erfordern, wie z.B. Impfstoffe, temperaturempfindliche Medikamente, wissenschaftliche Materialien usw. dürfen nicht im Tiefkühler aufbewahrt werden.

- Wenn der Tiefkühler eine längere Zeit nicht benutzt wird, sollte er von der Stromversorgung getrennt werden. Ein Problem bei der Isolierung des Kabels könnte ein Feuer verursachen.
- Die Spitze des Steckers sollte regelmäßig gereinigt werden, um ein Feuer zu vermeiden.
- Der Tiefkühler kann sich bewegen, wenn die verstellbaren Füße nicht fest auf dem Boden stehen. Mit den verstellbaren Füßen können Sie den Tiefkühler fest am Boden positionieren.
- Sofern Ihr Kühlgerät mit Türgriffen ausgestattet ist, missbrauchen Sie diese Griffe niemals zum Bewegen des Gerätes; andernfalls können sich die Griffe vom Gerät lösen.
- Falls das Gerät in unmittelbarer Nähe eines anderen Kühlgerätes aufgestellt werden muss, achten Sie unbedingt darauf, dass zwischen den Geräten mindestens 8 cm Abstand verbleiben. Andernfalls kann es zu Feuchtigkeitsniederschlag an benachbarten Flächen kommen.
- Der Wasserdruck muss mindestens 1 bar betragen. Der Wasserdruck darf 8 bar nicht überschreiten.
- Nur Trinkwasser verwenden.

Kinder – Sicherheit

- Bei abschließbaren Türen bewahren Sie den Schlüssel außerhalb der Reichweite von Kindern auf.
- Kinder sollten grundsätzlich beaufsichtigt werden, damit sie nicht mit dem Gerät spielen.

HCA-Warnung

Sofern Ihr Gerät mit dem Kühlmittel R600a arbeitet:

Dieses Gas ist leicht entflammbar. Achten Sie also darauf, Kühlkreislauf und Leitungen während Betrieb und Transport nicht zu beschädigen. Bei Beschädigungen halten Sie das Produkt von potenziellen Zündquellen (z. B. offenen Flammen) fern und sorgen für eine gute Belüftung des Raumes, in dem das Gerät aufgestellt wurde.

Diese Warnung gilt nicht für Sie, wenn Ihr Gerät mit dem Kühlmittel R134a arbeitet.

Das Typenschild links im Innenraum informiert Sie über den in Ihrem Gerät eingesetzten Kühlmitteltyp. Entsorgen Sie das Gerät niemals durch Verbrennen.

Dinge, die Sie zum Energiesparen beachten sollten

- Halten Sie die Kühlschranktüren nur möglichst kurz geöffnet.
- Lagern Sie keine warmen Speisen oder Getränke im Kühlschrank ein.
- Überladen Sie den Kühlschrank nicht; die Luft muss frei zirkulieren können.
- Stellen Sie den Kühlschrank nicht im direkten Sonnenlicht oder in der Nähe von Wärmequellen wie Öfen, Spülmaschinen oder Heizkörpern auf.
- Achten Sie darauf, Ihre Lebensmittel in verschlossenen Behältern aufzubewahren.
- Sie können besonders viele Lebensmittel im Tiefkühlbereich des Gerätes lagern, wenn Sie zuvor die Ablage oder Schublade im Tiefkühlbereich herausnehmen. Die Energieverbrauchswerte Ihres Kühlschranks wurden bei maximaler Beladung bei herausgenommenen Ablagen oder Schubladen ermittelt. Ansonsten ist es Ihnen freigestellt, die Ablagen oder Schubladen zu verwenden.

3 Installation

⚠ Bitte beachten Sie, dass der Hersteller nicht haftet, wenn Sie sich nicht an die Informationen und Anweisungen der Bedienungsanleitung halten.

Was Sie bei einem weiteren Transport Ihres Kühlschranks beachten müssen

1. Der Kühlschrank muss vor dem Transport geleert und gesäubert werden.
2. Befestigen und sichern Sie Ablagen, Zubehör, Gemüsefach, etc. mit Klebeband, bevor Sie das Gerät neu verpacken.
3. Die Verpackung muss mit kräftigem Klebeband und stabilen Seilen gesichert, die auf der Verpackung aufgedruckten Transporthinweise müssen beachtet werden.

Vergessen Sie nicht...

Jeder wiederverwendete Artikel stellt eine unverzichtbare Hilfe für unsere Natur und unsere Ressourcen dar.

Wenn Sie zur Wiederverwertung von Verpackungsmaterialien beitragen möchten, können Sie sich bei Umweltschutzvereinigungen und Ihren Behörden vor Ort informieren.

Bevor Sie Ihren Kühlschrank einschalten

Bevor Sie Ihren Kühlschrank in Betrieb nehmen, beachten Sie bitte Folgendes:

1. Ist der Innenraum des Kühlschranks trocken, kann die Luft frei an der Rückseite zirkulieren?

Elektrischer Anschluss

Schließen Sie das Gerät an eine

geerdete (Schuko-) Steckdose an. Diese Steckdose muss mit einer passenden Sicherung abgesichert werden.

Wichtig:

- Der Anschluss muss gemäß lokaler Vorschriften erfolgen.
- Der Netzstecker muss nach der Installation frei zugänglich bleiben.
- Die angegebene Spannung muss mit Ihrer Netzspannung übereinstimmen.
- Zum Anschluss dürfen keine Verlängerungskabel oder Mehrfachsteckdosen verwendet werden.

⚠ Ein beschädigtes Netzkabel muss unverzüglich durch einen qualifizierten Elektriker ausgetauscht werden.

⚠ Das Gerät darf vor Abschluss der Reparaturen nicht mehr betrieben werden! Es besteht Stromschlaggefahr!

Verpackungsmaterialien entsorgen

Das Verpackungsmaterial kann eine Gefahr für Kinder darstellen. Halten Sie Verpackungsmaterialien von Kindern fern oder entsorgen Sie das Verpackungsmaterial gemäß den gültigen Entsorgungsbestimmungen. Entsorgen Sie Verpackungsmaterialien nicht mit dem regulären Hausmüll.

Die Verpackung Ihres Gerätes wurde aus recyclingfähigen Materialien hergestellt.

Altgeräte entsorgen

Entsorgen Sie Altgeräte auf umweltfreundliche Weise.

- Bei Fragen zur richtigen Entsorgung wenden Sie sich bitte an Ihren Händler, an eine Sammelstelle oder

an Ihre Stadtverwaltung.

Bevor Sie das Gerät entsorgen, schneiden Sie den Netzstecker ab und machen die Türverschlüsse (sofern vorhanden) unbrauchbar, damit Kinder nicht in Gefahr gebracht werden.

Aufstellung und Installation

⚠ Falls die Tür des Raumes, in dem der Kühlschrank aufgestellt werden soll, nicht breit genug ist, wenden Sie sich an den autorisierten Kundendienst, lassen die Kühlschranktüren demontieren und befördern das Gerät seitlich durch die Tür.

1. Stellen Sie Ihren Kühlschrank an einer gut erreichbaren Stelle auf.
2. Platzieren Sie den Kühlschrank nicht in der Nähe von Wärmequellen oder dort, wo er Feuchtigkeit oder direktem Sonnenlicht ausgesetzt ist.
3. Damit das Gerät richtig arbeiten kann, müssen Sie ausreichend Platz um das Gerät herum freilassen, damit eine ordentliche Belüftung gewährleistet ist.

Wenn Sie den Kühlschrank in einer Nische aufstellen, müssen Sie einen Abstand von mindestens 5 cm zur Decke und 5 cm zu den Wänden einhalten.

Wenn Sie das Gerät auf einem Teppich oder Teppichboden aufstellen, müssen Sie einen Abstand von mindestens 2,5 cm zum Boden einhalten.

4. Stellen Sie Ihren Kühlschrank auf einem ebenen Untergrund auf, damit er nicht wackelt.
5. Stellen Sie den Kühlschrank nicht an Stellen auf, an denen Temperaturen von weniger als 10 °C herrschen.

Austausch der Innenbeleuchtung

Wenn die Lampe nicht funktioniert, gehen Sie wie folgt vor:

1- Schalten Sie das Gerät aus und ziehen Sie den Netzstecker ab.

Zur besseren Erreichbarkeit der Lampe, können Sie einige Regale entfernen.

2- Benutzen Sie, zum Entfernen der Abdeckung, einen flachen Schraubendreher.

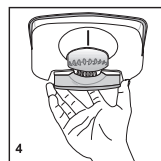
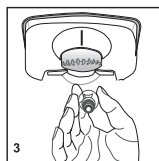
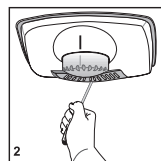
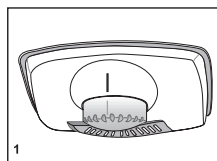
3- Überprüfen Sie, dass sich die Lampe nicht gelöst hat und fest in der Halterung sitzt. Stecken Sie den Netzstecker wieder ein und schalten Sie das Gerät ein.

Wenn die Lampe jetzt funktioniert, setzen Sie die Abdeckung wieder auf.

4- Wenn die Lampe nicht funktioniert, schalten Sie das Gerät wieder aus und ziehen Sie den Netzstecker ab. Ersetzen Sie die Glühbirne mit einer maximal 15 Watt starken Schraubglühbirne (SES).

5- Entsorgen Sie die kaputte Lampe sofort.

Ersatzlampen erhalten Sie in jedem guten Elektrowarengeschäft.

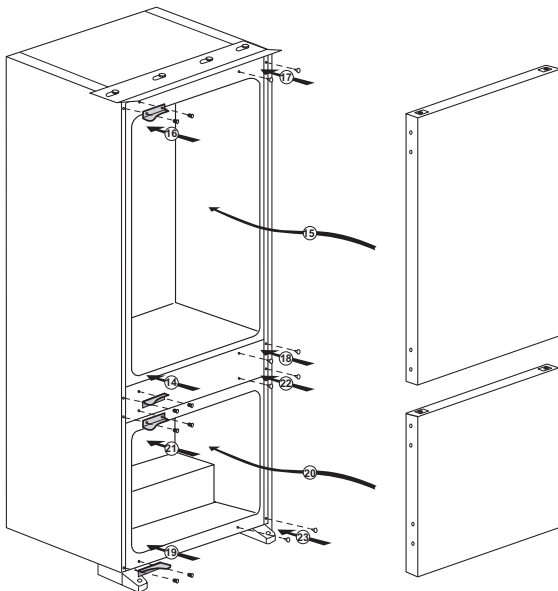
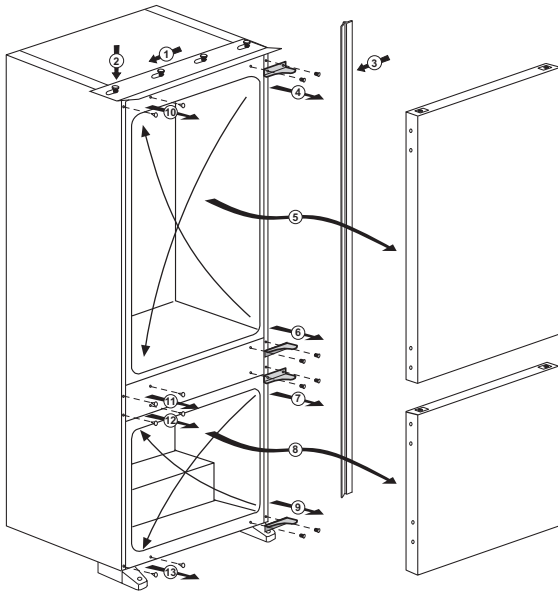


i Das Gerät wurde für den Einsatz bei den in der nachstehenden Tabelle angegebenen Temperaturen entwickelt und ist mit einem fortschrittlichen, elektronischen Temperaturregelungssystem (AETCS) ausgestattet. Dieses System sorgt dafür, dass Lebensmittel im Tiefkühlbereich bei der empfohlenen Einstellung „4“ auch dann nicht auftauen, wenn die Umgebungstemperatur auf bis zu -15 °C abfällt. Bei der ersten Ausstellung darf das Gerät KEINEN niedrigen Umgebungstemperaturen ausgesetzt werden, da das Gerät seine normale Betriebstemperatur unter diesen Umständen nicht erreicht. Sobald die normale Betriebstemperatur erreicht ist, kann das Gerät auch an einer anderen Stelle aufgestellt werden. Nun können Sie das Gerät auch beispielsweise in einer Garage oder einem anderen unbeheizten Raum aufstellen, ohne dass die eingelagerten Lebensmittel verderben. Allerdings kann es bei sehr geringen Umgebungstemperaturen vorkommen, dass auch Lebensmittel im Kühlbereich einfrieren. Schauen Sie also hin und wieder nach Ihren Lebensmitteln. Wenn wieder normale Umgebungstemperaturen herrschen, können Sie die Kühlleistung des Gerätes nach Bedarf einstellen.

i Bei Umgebungstemperaturen unter 0 °C gefrieren die Lebensmittel im Kühlbereich. Daher empfehlen wir Ihnen, den Kühlbereich bei solch niedrigen Umgebungstemperaturen nicht zu nutzen. Den Tiefkühlbereich können Sie jedoch ganz normal weiter nutzen.

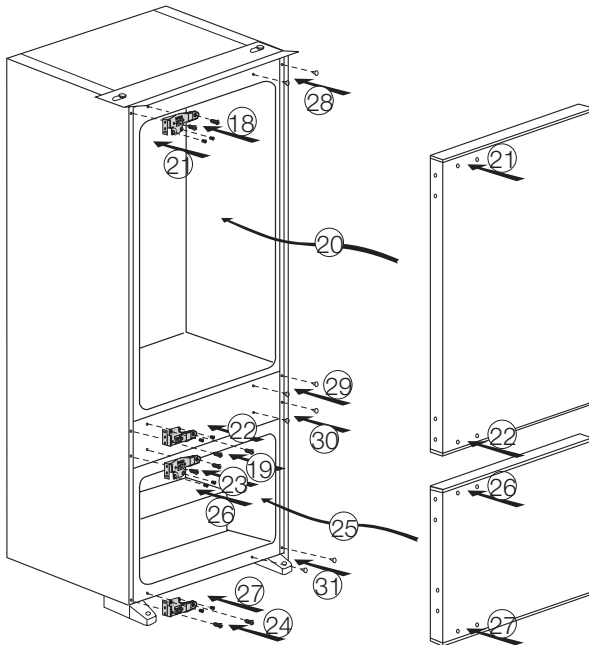
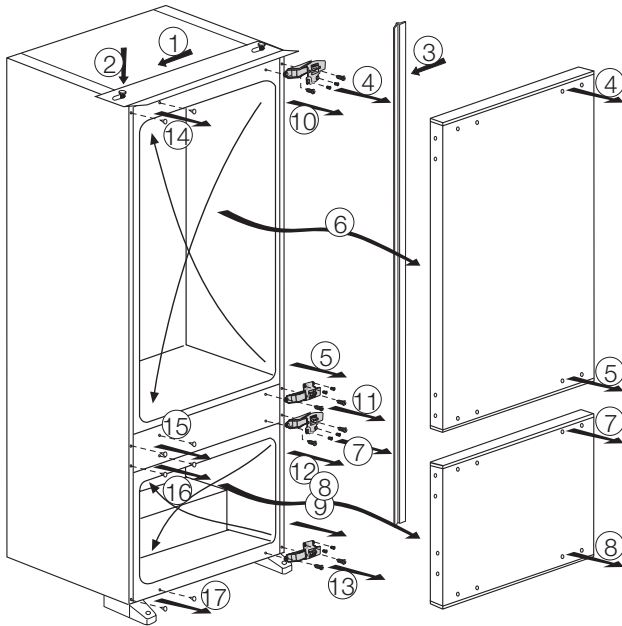
Türanschlag umkehren

Gehen Sie der Reihe nach vor.



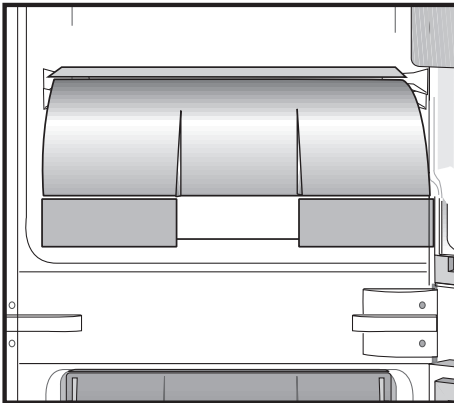
Türanschlag umkehren

Gehen Sie der Reihe nach vor.



0 °C-Fach

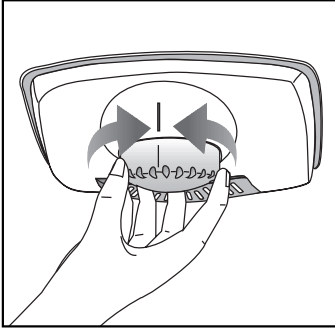
Dieses Fach können Sie zur Aufbewahrung von gefrorenen Lebensmitteln verwenden, die langsam aufgetaut werden sollen (z. B. Fleisch, Fisch, Geflügel, usw.). Das 0 °C-Fach ist die kälteste Stelle Ihres Kühlschranks, an der ideale Lagerbedingungen für Milchprodukte (Käse, Butter), Fleisch, Fisch oder Geflügel herrschen. Gemüse und Früchte sollten jedoch nicht in diesem Fach gelagert werden.



4 Vorbereitung

- i** Ihr Kühlschrank sollte mindestens 30 cm von Hitzequellen wie Kochstellen, Öfen, Heizungen, Herden und ähnlichen Einrichtungen aufgestellt werden. Halten Sie mindestens 5 cm Abstand zu Elektroöfen ein, vermeiden Sie die Aufstellung im direkten Sonnenlicht.
- i** Die Zimmertemperatur des Raumes, in dem der Kühlschrank aufgestellt wird, sollte mindestens 10 °C betragen. Im Hinblick auf den Wirkungsgrad ist der Betrieb des Kühlschranks bei geringerer Umgebungstemperatur nicht ratsam.
- i** Sorgen Sie dafür, dass das Innere Ihres Kühlschranks gründlich gereinigt wird.
- i** Falls zwei Kühlschränke nebeneinander platziert werden sollen, achten Sie darauf, dass sie mindestens 2 cm voneinander entfernt aufgestellt werden.
- i** Wenn Sie den Kühlschrank zum ersten Mal in Betrieb nehmen, halten Sie sich bitte an die folgenden Anweisungen für die ersten sechs Betriebsstunden.
 - Die Kühlschranktür sollte nicht zu häufig geöffnet werden.
 - Der Kühlschrank muss zunächst vollständig leer arbeiten.
 - Ziehen Sie nicht den Netzstecker. Falls der Strom ausfallen sollte, beachten Sie die Warnhinweise im Abschnitt „Empfehlungen zur Problemlösung“.
- i** Originalverpackung und Schaumstoffmaterialien sollten zum zukünftigen Transport des Gerätes aufbewahrt werden.

5 So bedienen Sie Ihren Kühlschrank



Thermostateinstelltaste

Die Innentemperatur Ihres Kühlschranks hängt teilweise von folgenden Einflüssen ab:

- Umgebungstemperatur
- Häufigkeit der Türöffnungen, Offenstehen der Tür über längere Zeit
- Einlagern von Lebensmitteln, ohne diese zuvor auf Raumtemperatur abkühlen zu lassen
- Platzierung des Kühlschranks innerhalb des Raumes (z. B. im direkten Sonnenlicht).
- Zum Anpassen der Innentemperatur an solche Einflüsse benutzen Sie das Thermostat. Die Zahlen rund um die Thermostateinstelltaste zeigen die Kühlungsleistung an.
- Falls die Umgebungstemperatur mehr als 32 °C beträgt, wählen Sie die höchstmögliche Thermostateinstellung.
- Sofern die Umgebungstemperatur weniger als 25 °C beträgt, wählen Sie die geringste

Thermostateinstellung.

Abtauen

Kühlbereich

Der Kühlbereich tauft vollautomatisch ab. Im Betrieb können sich Wassertropfen und eine 7 – 8 mm starke Eisschicht an der Innenwand des Kühlbereiches absetzen. Dies ist vollkommen normal und ein Nebeneffekt des Kühlungs-systems.

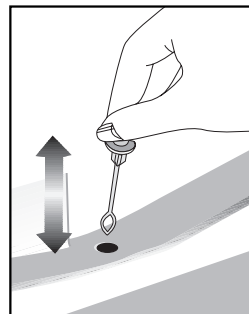
Dank des automatischen Abtausystems an der Rückwand wird das Eis in bestimmten Abständen automatisch abgetaut. Weder Eis noch Wassertropfen müssen manuell entfernt werden.

Beim Abtauen läuft das Tauwasser in die Ablaufrinne und fließt anschließend zum Verdampfer - hier verdunstet das Wasser automatisch.

Überzeugen Sie sich regelmäßig davon, dass der Ablauf nicht verstopft ist; beseitigen Sie eventuelle Verstopfungen mit dem Stäbchen.

Der Tiefkühlbereich wird nicht automatisch abgetaut, da es ansonsten schnell zum Verderben gefrorener Lebensmittel kommen könnte.

Der Tiefkühlbereich tauft automatisch ab.



6 **Wartung und Reinigung**

- ⚠ Verwenden Sie zu Reinigungszwecken niemals Benzin oder ähnliche Substanzen.
- ⚠ Wir empfehlen, vor dem Reinigen den Netzstecker zu ziehen.
- ℹ Verwenden Sie zur Reinigung niemals scharfe Gegenstände, Seife, Haushaltsreiniger, Waschmittel oder Wachspolituren.
- ℹ Reinigen Sie das Gehäuse des Gerätes mit lauwarmem Wasser, wischen Sie die Flächen danach trocken.
- ⚠ Zur Reinigung des Innenraums verwenden Sie ein feuchtes Tuch, das Sie in eine Lösung aus 1 Teelöffel Natron und einem halben Liter Wasser getaucht und ausgewrungen haben. Nach dem Reinigen wischen Sie den Innenraum trocken.
- ⚠ Achten Sie darauf, dass kein Wasser in das Lampengehäuse oder andere elektrische Komponenten eindringt.
- ⚠ Wenn Ihr Kühlgerät längere Zeit nicht benutzt wird, ziehen Sie den Netzstecker, nehmen alle Lebensmittel heraus, reinigen das Gerät und lassen die Türe geöffnet.
- ℹ Kontrollieren Sie die Türdichtungen regelmäßig, um sicherzustellen, dass diese sauber und frei von Speiseresten sind.
- ℹ Zum Entfernen einer Türablage räumen Sie sämtliche Gegenständen aus der Ablage und schieben diese dann nach oben heraus.

Schutz der Kunststoffflächen

- ℹ Geben Sie keine Öle oder stark fetthaltige Speisen offen in Ihren Kühlschrank – dadurch können die Kunststoffflächen angegriffen werden. Sollten die Plastikoberflächen einmal mit Öl in Berührung kommen, so reinigen Sie die entsprechend Stellen umgehend mit warmem Wasser.

7 Empfehlungen zur Problemlösung

Bitte arbeiten Sie diese Liste durch, bevor Sie den Kundendienst anrufen. Das kann Ihnen Zeit und Geld sparen. In der Liste finden Sie häufiger auftretende Probleme, die nicht auf Verarbeitungs- oder Materialfehler zurückzuführen sind. Nicht alle hier beschriebenen Funktionen sind bei jedem Modell verfügbar.

Der Kühlschrank arbeitet nicht
<ul style="list-style-type: none">• Ist der Kühlschrank richtig angeschlossen? Stecken Sie den Netzstecker in die Steckdose.• Ist die entsprechende Haussicherung herausgesprungen oder durchgebrannt? Überprüfen Sie die Sicherung.
Kondensation an den Seitenwänden des Kühlbereiches. (MULTIZONE, KÜHLKONTROLLE, FLEXIZONE)
<ul style="list-style-type: none">• Sehr geringe Umgebungstemperaturen. Häufiges Öffnen und Schließen der Tür. Sehr feuchte Umgebung. Offene Lagerung von feuchten Lebensmitteln. Tür nicht richtig geschlossen.• Kühlere Thermostateinstellung wählen.• Türen kürzer geöffnet halten oder seltener öffnen.• Offene Behälter abdecken oder mit einem geeigneten Material einwickeln.• Kondensation mit einem trockenen Tuch entfernen und überprüfen, ob diese erneut auftritt.
Der Kompressor läuft nicht
<ul style="list-style-type: none">• Eine Schutzschaltung stoppt den Kompressor bei kurzzeitigen Unterbrechungen der Stromversorgung und wenn das Gerät zu oft und schnell ein- und ausgeschaltet wird, da der Druck des Kühlmittels eine Weile lang ausgeglichen werden muss.• Ihr Kühlschrank beginnt nach etwa sechs Minuten wieder zu arbeiten. Bitte wenden Sie sich an den Kundendienst, wenn Ihr Kühlschrank nach Ablauf dieser Zeit nicht wieder zu arbeiten beginnt.• Der Kühlschrank taut ab. Dies ist bei einem vollautomatisch abtauenden Kühlschrank völlig normal. Das Gerät taut von Zeit zu Zeit ab.• Der Netzstecker ist nicht eingesteckt. Überzeugen Sie sich davon, dass der Stecker komplett in die Steckdose eingesteckt ist.• Stimmen die Temperatureinstellungen? Der Strom ist ausgefallen. Wenden Sie sich an Ihren Stromversorger.
Der Kühlschrank arbeitet sehr intensiv oder über eine sehr lange Zeit.

- Ihr neuer Kühlschrank ist vielleicht etwas breiter als sein Vorgänger. Dies ist völlig normal. Große Kühlgeräte arbeiten oft längere Zeit.
- Die Umgebungstemperatur kann hoch sein. Dies ist normal.
- Das Kühlgerät wurde möglicherweise erst vor kurzem in Betrieb genommen oder mit Lebensmitteln gefüllt. Es kann einige Stunden länger dauern, bis der Kühlschrank seine Arbeitstemperatur erreicht hat.
- Kurz zuvor wurden größere Mengen warmer Speisen im Kühlschrank eingelagert. Heiße Speisen führen dazu, dass der Kühlschrank etwas länger arbeiten muss, bis die geeignete Temperatur zur sicheren Lagerung erreicht ist.
- Türen wurden häufig geöffnet oder längere Zeit nicht richtig geschlossen. Der Kühlschrank muss länger arbeiten, weil warme Luft in den Innenraum eingedrungen ist. Öffnen Sie die Türen möglichst selten.
- Die Tür des Kühl- oder Tiefkühlbereichs war nur angelehnt. Vergewissern Sie sich, dass die Türen richtig geschlossen wurden.
- Die Kühlschranktemperatur ist sehr niedrig eingestellt. Stellen Sie die Kühlschranktemperatur höher ein und warten Sie, bis die gewünschte Temperatur erreicht ist.
- Die Türdichtungen von Kühl- oder Gefrierbereich sind verschmutzt, verschlissen, beschädigt oder sitzen nicht richtig. Reinigen oder ersetzen Sie die Dichtung. Beschädigte oder defekte Dichtungen führen dazu, dass der Kühlschrank länger arbeiten muss, um die Temperatur halten zu können.

Die Temperatur im Tiefkühlbereich ist sehr niedrig, während die Temperatur im Kühlbereich normal ist.

- Die Tiefkühltemperatur ist sehr niedrig eingestellt. Stellen Sie die Gefrierfachtemperatur wärmer ein und prüfen Sie.

Die Temperatur im Kühlbereich ist sehr niedrig, während die Temperatur im Tiefkühlbereich normal ist.

- Die Kühltemperatur ist sehr niedrig eingestellt. Stellen Sie die Kühlbereichtemperatur wärmer ein und prüfen Sie.

Im Kühlbereich gelagerte Lebensmittel frieren ein.

- Die Kühltemperatur ist sehr niedrig eingestellt. Stellen Sie die Kühlbereichtemperatur wärmer ein und prüfen Sie.

Die Temperatur im Kühl- oder Tiefkühlbereich ist sehr hoch.

- Die Kühltemperatur ist sehr hoch eingestellt. Die Einstellung des Kühlbereichs beeinflusst die Temperatur im Tiefkühlbereich. Stellen Sie den Kühl- oder Tiefkühlbereich auf die gewünschte Temperatur ein.
- Die Kühlschranktür ist nur angelehnt. Schließen Sie die Tür komplett.
- Kurz zuvor wurden größere Mengen warmer Speisen im Kühlschrank eingelagert. Warten Sie, bis der Kühl- oder Tiefkühlbereich die gewünschte Temperatur erreicht.
- Der Kühlschrank ist eben erst eingeschaltet worden. Ihr Kühlschrank braucht aufgrund der Größe einige Zeit, um sich auf die gewünschte Temperatur abzukühlen.

Der Kühlschrank gibt Geräusche von sich, die an das Ticken des Sekundenzeigers einer Uhr erinnern.

- Dieses Geräusch entsteht durch das Magnetventil des Gerätes. Das Magnetventil sorgt für den richtigen Durchfluss des Kühlmittels; es passt seine Funktion der jeweiligen Situation an. Dies ist völlig normal und keine Fehlfunktion.

Das Betriebsgeräusch nimmt zu, wenn der Kühlschrank arbeitet.

- Das Betriebsverhalten des Kühlgerätes kann sich je nach Umgebungstemperatur ändern. Dies ist völlig normal und keine Fehlfunktion.

Vibrationen oder Betriebsgeräusche.

- Der Boden ist nicht eben oder nicht fest. Der Kühlschrank wackelt, wenn er etwas bewegt wird. Achten Sie darauf, dass der Boden eben, stabil und in der Lage ist, den Kühlschrank problemlos zu tragen.
- Das Geräusch kann durch auf dem Kühlschrank abgestellte Gegenstände entstehen. Nehmen Sie die betreffenden Gegenstände vom Kühlschrank herunter.

Fließ- oder Spritzgeräusche sind zu hören.

- Aus technischen Gründen bewegen sich Flüssigkeiten und Gase innerhalb des Gerätes. Dies ist völlig normal und keine Fehlfunktion.

Windähnliche Geräusche sind zu hören.

- Damit das Gerät möglichst effektiv arbeiten kann, werden Luftumwälzer (Ventilatoren) eingesetzt. Dies ist völlig normal und keine Fehlfunktion.

Kondensation an den Kühlschrankinnenflächen.

- Bei heißen und feuchten Wetterlagen tritt verstärkt Eisbildung und Kondensation auf. Dies ist völlig normal und keine Fehlfunktion.
- Die Türen sind nicht richtig geschlossen. Achten Sie darauf, dass die Türen komplett geschlossen sind.
- Die Türen wurden sehr häufig geöffnet oder längere Zeit offen stehen gelassen. Öffnen Sie die Türen möglichst selten.

Feuchtigkeit sammelt sich an der Außenseite des Kühlschranks oder an den Türen.

- Es herrscht hohe Luftfeuchtigkeit. Dies ist bei feuchtem Wetter völlig normal. Die Kondensation verschwindet, sobald die Feuchtigkeit abnimmt.

Unangenehmer Geruch im Kühlschrankinnenraum.

- Das Innere des Kühlschranks muss gereinigt werden. Reinigen Sie das Innere des Kühlschranks mit einem Schwamm, den Sie mit warmem oder kohlenstoffhaltigem Wasser angefeuchtet haben.
- Bestimmte Behälter oder Verpackungsmaterialien verursachen den Geruch. Verwenden Sie andere Behälter oder Verpackungsmaterial einer anderen Marke.

Die Tür(en) lässt/lassen sich nicht schließen.

- Lebensmittelpackungen verhindern eventuell das Schließen der Tür. Entfernen Sie die Verpackungen, welche die Tür blockieren.
- Der Kühlschrank ist vermutlich nicht absolut gerade aufgestellt und wackelt, wenn er leicht bewegt wird. Stellen Sie die Höheneinstellschrauben ein.
- Der Boden ist nicht eben oder nicht stabil genug. Achten Sie darauf, dass der Boden eben ist und das Gewicht des Kühlschranks problemlos tragen kann.

Das Gemüsefach klemmt.

- Die Lebensmittel berühren eventuell den oberen Teil der Schublade. Ordnen Sie die Lebensmittel in der Schublade anders an.

Veillez d'abord lire la notice d'utilisation !

Chère cliente, cher client,

Nous espérons que votre produit, qui a été fabriqué dans des usines modernes et vérifié au terme des procédures de contrôle de qualité les plus méticuleuses, vous aidera efficacement.

Pour cette raison, nous vous conseillons de lire attentivement tout le manuel d'utilisation de votre produit avant de vous en servir, et de le conserver ensuite pour une utilisation ultérieure.

Le présent manuel

- vous aidera à utiliser votre produit avec rapidité et sécurité.
 - Lisez le manuel avant d'installer et de faire fonctionner votre produit.
 - Respectez les instructions, notamment celles relatives à la sécurité.
 - Conservez ce manuel dans un endroit facilement accessible car vous pouvez en avoir besoin ultérieurement.
 - En plus, lisez également les autres documents fournis avec votre produit.
- Veillez noter que ce manuel peut également être valide pour d'autres modèles.

Symboles et descriptions

Vous retrouverez les symboles suivants dans le présent manuel :

 Informations importantes ou astuces.

 Avertissement relatif aux conditions dangereuses pour la vie et la propriété.

 Avertissement relatif à la tension électrique.

Recyclage



Ce produit est marqué du symbole du tri sélectif, relatif aux déchets d'équipements électriques et électroniques. Cela signifie que ce produit doit être pris en charge par un système de collecte sélectif conformément à la directive européenne 2002/96/CE, afin de pouvoir être recyclé ou démantelé dans le but de réduire tout impact sur l'environnement. Attention les produits électroniques n'ayant pas fait l'objet d'un tri sélectif sont potentiellement dangereux pour l'environnement et la santé humaine en raison de la présence potentielle de substances dangereuses.

Table des matières

1 Votre réfrigérateur 3

2 Précautions importantes pour votre sécurité 4

Utilisation prévue 4

Sécurité générale..... 4

Sécurité enfants..... 6

Avertissement HCA 7

Mesures d'économie d'énergie..... 7

3 Installation 8

Points à prendre en compte lorsque vous transportez à nouveau votre produit..... 8

Avant de faire fonctionner votre réfrigérateur 8

Branchement électrique..... 8

Mise au rebut de l'emballage 9

Mise au rebut de votre ancien réfrigérateur 9

Disposition et Installation 9

Remplacement de l'ampoule intérieure 10

Réversibilité des portes..... 11

Réversibilité des portes..... 12

4 Préparation 13

5 Utilisation du réfrigérateur 14

Bouton de réglage du thermostat . 14

Décongélation 14

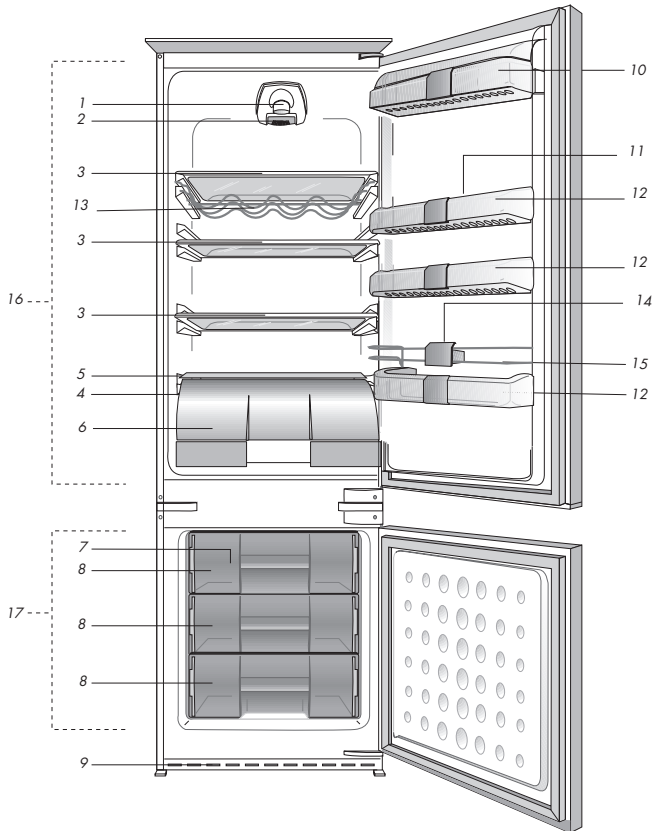
Compartiment basse température 15

6 Entretien et nettoyage 16

Protection des surfaces en plastique. 16

7 Solutions recommandées aux problèmes 17

1 Votre réfrigérateur



- | | |
|---|------------------------------------|
| 1. Éclairage intérieur | 9. Grille d'aération |
| 2. Commande du thermostat | 10. Compartiment produits laitiers |
| 3. Clayettes réglables | 11. Casier à œufs |
| 4. Voie de récupération de l'eau de dégivrage - Tube d'écoulement | 12. Balconnets réglables |
| 5. Couverture du bac à légumes | 13. Clayette range-bouteilles |
| 6. Compartiment 0 °C | 14. Range-bouteilles |
| 7. Bac à glaçons | 15. Porte-bouteilles métallique |
| 8. Compartiment congélateur | 16. Compartiment réfrigérateur |
| | 17. Compartiment congélateur |

i Les illustrations présentées dans cette notice d'utilisation sont schématiques et peuvent ne pas correspondre exactement à votre produit. Si des pièces présentées ne sont pas comprises dans le produit que vous avez acheté, elles sont valables pour d'autres modèles.

Veillez examiner les informations suivantes: Si elles ne sont pas respectées, des blessures personnelles ou un dommage matériel peut survenir. Sinon, tout engagement lié à la garantie et à la fiabilité du produit devient invalide.

La durée de vie du produit que vous avez acheté est de 10 ans. Il s'agit ici de la période au cours de laquelle vous devez conserver les pièces de rechange nécessaires à son fonctionnement.

Utilisation prévue

- Cet appareil est conçu pour un usage domestique et des utilisations similaires comme
 - les cuisines du personnel dans les boutiques, les bureaux et autres environnements de travail;
 - les fermes et pour une utilisation par les clients dans les hôtels, motels et autres types d'environnement résidentiel;
 - les environnements de type bed and breakfast
 - le catering et les usages similaires non destinés à la vente
- Il ne doit en conséquence pas être utilisé à l'extérieur. Il n'est pas approprié à un usage en extérieurs, même si l'endroit est abrité par un auvent.

Sécurité générale

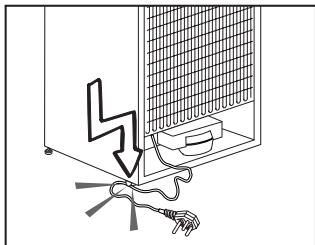
- Avant de vous débarrasser de votre appareil, veuillez consulter les autorités locales ou votre revendeur pour connaître le mode opératoire et les organismes agréés de collecte.
- Consultez le service après-vente agréé concernant toutes questions

ou problèmes relatifs au réfrigérateur. N'intervenez pas ou ne laissez personne intervenir sur le réfrigérateur sans le communiquer au service après-vente agréé.

- Ne mangez pas de cônes de crème glacée ou des glaçons immédiatement après les avoir sortis du compartiment de congélation. (Cela pourrait provoquer des gelures dans votre bouche).
- Ne placez pas de boissons en bouteilles ou en cannettes dans le congélateur. Cela peut entraîner leur éclatement.
- Ne touchez pas des produits congelés avec les mains, ils pourraient se coller à celles-ci.
- La vapeur et des matériaux de nettoyage pulvérisés ne doivent jamais être utilisés pour les processus de nettoyage ou de dégivrage de votre réfrigérateur. La vapeur pourrait pénétrer dans les pièces électriques et provoquer des courts-circuits ou des électrocutions.
- Ne jamais utiliser les pièces de votre réfrigérateur telles que la porte, comme un support ou une marche.
- N'utilisez pas d'appareils électriques à l'intérieur du réfrigérateur.
- N'endommagez pas le circuit de refroidissement où circule le liquide réfrigérant avec des outils de forage ou coupants. Le liquide réfrigérant qui pourrait s'échapper si les canalisations de gaz de l'évaporateur, les rallonges de tuyau ou les revêtements de surface étaient percés, peut irriter la peau et provoquer des blessures aux yeux.

- Ne pas couvrir ou obstruer les orifices de ventilation du réfrigérateur.
- Les réparations de l'appareillage électrique doivent être réalisées par des techniciens qualifiés. Les réparations réalisées par des personnes ne présentant pas les compétences requises peuvent présenter un risque pour l'utilisateur.
- En cas de dysfonctionnement ou lors d'opérations d'entretien ou de réparation, débranchez l'alimentation électrique du réfrigérateur soit en désactivant le fusible correspondant, soit en débranchant l'appareil.
- Ne tirez pas sur le câble lorsque vous débranchez la prise.
- Placez les boissons alcoolisées verticalement, dans des récipients convenablement fermés.
- Ne conservez pas de substances explosives comme des aérosols avec un liquide inflammable dans cet appareil.
- N'utilisez pas d'outils mécaniques ou autres dispositifs pour accélérer le processus de décongélation autres que ceux qui sont recommandés par le fabricant.
- L'utilisation de cet appareil est interdite aux personnes (enfants compris) souffrant de déficience physique, sensorielle, mentale, ou justifiant d'un manque d'expérience à moins d'avoir obtenu une autorisation auprès des personnes responsables de leur sécurité.
- Ne faites pas fonctionner un réfrigérateur endommagé. Consultez le service après-vente en cas de doutes.
- La sécurité électrique du réfrigérateur n'est assurée que si le système de mise à la terre de votre domicile est conforme aux normes en vigueur.
- L'exposition du produit à la pluie, la neige, au soleil ou au vent présente des risques concernant la sécurité électrique.
- Contactez le service après-vente agréé lorsque le câble d'alimentation est endommagé afin d'éviter tout danger.
- Ne branchez jamais le réfrigérateur à la prise murale au cours de l'installation. Vous vous exposeriez à un risque de mort ou à de blessures graves.
- Ce réfrigérateur a été fabriqué uniquement dans le but de conserver les denrées. Par conséquent, il ne doit pas être utilisé à d'autres fins.
- L'étiquette qui décrit les spécifications techniques du produit se trouve sur la partie intérieure gauche du réfrigérateur.
- Évitez d'accrocher le réfrigérateur aux systèmes d'économie d'énergie électronique car ils peuvent endommager le produit.
- Si le réfrigérateur est éclairé par une lumière bleue, évitez de regarder cette lumière bleue à travers des appareils optiques.
- Si l'alimentation électrique est coupée dans un réfrigérateur à commande manuelle, veuillez patienter pendant au moins 5 minutes avant de rétablir la connexion électrique.
- Si le propriétaire du réfrigérateur venait à changer, n'oubliez pas de remettre le présent manuel d'utilisation au nouveau bénéficiaire.
- Veillez à ne pas endommager le câble d'alimentation pendant le transport du réfrigérateur. Afin d'éviter tout

risque d'incendie, prenez garde de ne pas tordre le câble d'alimentation. Des objets lourds ne doivent pas être posés sur le câble d'alimentation. Pendant le branchement du réfrigérateur, évitez de tenir la prise de courant avec des mains mouillées.



- Évitez de brancher le réfrigérateur lorsque la prise de courant électrique a lâché.
- Pour des raisons d'ordre sécuritaire, évitez tout contact direct de l'eau avec les parties externes et internes du réfrigérateur.
- En raison des risques d'incendie et d'explosion, évitez de vaporiser des matières inflammables comme le gaz propane à proximité du réfrigérateur.
- Pour éviter tout risque de choc électrique ou d'incendie, évitez de mettre des objets remplis d'eau au-dessus du réfrigérateur.
- Évitez de surcharger le réfrigérateur avec une quantité excessive d'aliments. Le trop-plein d'aliments peut tomber à l'ouverture de la porte, ce qui peut vous blesser ou endommager le réfrigérateur. Évitez de mettre des objets au-dessus du réfrigérateur dans la mesure où ceux-ci peuvent tomber pendant l'ouverture ou la fermeture de la porte du réfrigérateur.
- Les objets nécessitant certaines conditions de conservation comme le vaccin, les médicaments sensibles à la température, les matériels scientifiques, etc., ne doivent pas être conservés dans le réfrigérateur.
- Débranchez le réfrigérateur si vous n'allez pas vous en servir au cours d'une période prolongée. Un problème survenu au niveau de l'isolation du câble électrique peut donner lieu à un incendie.
- Le bout de la fiche électrique doit être nettoyée régulièrement. Dans le cas contraire, il peut provoquer un incendie.
- Le réfrigérateur peut bouger lorsque les pieds réglables ne sont pas positionnés fermement sur le sol. En ajustant les pieds réglables, vous pouvez savoir lorsque le réfrigérateur est positionné fermement sur le sol.
- Si la porte du réfrigérateur est dotée d'une poignée, évitez de tenir cette poignée pendant le transport de l'appareil car celle-ci est susceptible de se détacher du réfrigérateur.
- Si vous êtes tenu de faire fonctionner votre appareil tout près d'un autre réfrigérateur ou d'un congélateur, veuillez prévoir au moins 8 cm d'écart entre les deux appareils. Dans le cas contraire, il peut y avoir condensation au niveau des parois internes situées les unes en face des autres.
- La pression de l'eau ne doit pas être en-dessous d' 1 bar. La pression de l'eau ne doit pas être au-dessus de 8 bars.
- Utilisez uniquement de l'eau potable.

Sécurité enfants

- Si la porte a un verrouillage, la clé doit rester hors de portée des enfants.
- Les enfants doivent être encadrés afin d'éviter tout jeu avec l'appareil.

Avertissement HCA

Si votre appareil est équipé d'un système de refroidissement contenant R600a :

Ce gaz est inflammable. Par conséquent, veuillez prendre garde à ne pas endommager le système de refroidissement et les tuyauteries lors de son utilisation ou de son transport. En cas de dommages, éloignez votre produit de toute source potentielle de flammes susceptible de provoquer l'incendie de l'appareil. De même, placez le produit dans une pièce aérée.

Ignorez l'avertissement si votre appareil est équipé d'un système de refroidissement contenant R134a.

Vous pouvez voir le gaz été utilisé dans la fabrication de votre appareil sur la plaque signalétique qui se trouve dans la partie intérieure gauche du produit.

Ne jamais jeter le produit au feu.

Mesures d'économie d'énergie

- Ne laissez pas les portes du réfrigérateur ouvertes pendant une durée prolongée.
- N'introduisez pas de denrées ou de boissons chaudes dans le réfrigérateur.
- Ne surchargez pas le réfrigérateur pour ne pas obstruer pas la circulation d'air à l'intérieur.
- N'installez pas le réfrigérateur à la lumière directe du soleil ou près d'appareil émettant de la chaleur tels qu'un four, un lave-vaisselle ou un radiateur.
- Veillez à conserver vos denrées dans des récipients fermés.
- Une quantité maximale de nourriture peut être mise dans le compartiment congélateur de votre réfrigérateur quand l'étagère ou le tiroir du compartiment est enlevé. Le niveau de consommation d'énergie affiché pour votre réfrigérateur a été déterminé quand l'étagère ou le tiroir du compartiment congélateur a été enlevé et que la quantité de nourriture était maximale. L'utilisation d'une étagère ou d'un tiroir en fonction de la taille et de la nature de la nature à congeler ne comporte aucun risque.

3 Installation

⚠ Veuillez noter que le fabricant ne pourra être tenu responsable si les informations fournies dans cette notice d'utilisation ne sont pas respectées.

Points à prendre en compte lorsque vous transportez à nouveau votre produit.

1. Le réfrigérateur doit être vidé et nettoyé avant tout transport.
2. Les clayettes, accessoires, bac à légumes, etc. de votre réfrigérateur doivent être fixés solidement avec de la bande adhésive avant de remballer l'appareil, pour le protéger en cas de chocs.
3. L'emballage doit être fixé avec une bande adhésive forte et des cordes solides, et les normes de transport indiquées sur l'emballage doivent être appliquées.

Gardez à l'esprit les points suivants...

Chaque matériau recyclé est une participation indispensable à la préservation de la nature et conservation de nos ressources nationales.

Si vous souhaitez contribuer à recycler les matériaux d'emballage, vous pouvez obtenir des informations supplémentaires auprès des organismes environnementaux ou des autorités locales.

Avant de faire fonctionner votre réfrigérateur

Avant de commencer à faire fonctionner votre réfrigérateur, vérifiez les points suivants :

1. L'intérieur du réfrigérateur est sec et l'air peut circuler librement à l'arrière?
2. Nettoyez l'intérieur du réfrigérateur tel qu'indiqué dans la section « Entretien et nettoyage ».
3. Branchez le réfrigérateur dans la prise murale. Lorsque la porte du réfrigérateur est ouverte, l'éclairage intérieur s'allumera.
4. Vous remarquerez un bruit lorsque le compresseur se met en marche. Le liquide et les gaz intégrés au système du réfrigérateur peuvent également faire du bruit, que le compresseur soit en marche ou non. Ceci est tout à fait normal.
5. Les parties antérieures du réfrigérateur peuvent chauffer. Ce phénomène est normal. Ces zones doivent en principe être chaudes pour éviter tout risque de condensation.

Branchement électrique

Branchez votre réfrigérateur à une prise de mise à la terre protégée par un fusible ayant une capacité appropriée.

Important:

- Le branchement doit être conforme aux normes en vigueur sur le territoire national.
- La fiche de câble d'alimentation doit être facilement accessible après installation.
- La tension et la protection du fusible autorisé sont spécifiées dans la section « Caractéristiques techniques ».
- La tension spécifiée doit être égale à votre tension de secteur.

- Les rallonges et prises multivoies ne doivent pas être utilisés pour brancher l'appareil.

⚠ Un câble d'alimentation endommagé doit être remplacé par un électricien qualifié.

⚠ L'appareil ne doit pas être mis en service avant d'être réparé ! Un risque de choc électrique existe!

Mise au rebut de l'emballage

Les matériaux d'emballage peuvent être dangereux pour les enfants. Tenez les matériaux d'emballage hors de portée des enfants ou débarrassez-vous-en conformément aux consignes sur les déchets. Ne les jetez pas aux côtés des ordures ménagères ordinaires.

L'emballage de votre appareil est produit à partir des matériaux recyclables.

Mise au rebut de votre ancien réfrigérateur

Débarrassez-vous de votre ancien réfrigérateur sans nuire à l'environnement.

- Vous pouvez consulter le service après-vente agréé ou le centre chargé de la mise au rebut dans votre municipalité pour en savoir plus sur la mise au rebut de votre produit.

Avant de procéder à la mise au rebut de votre machine, coupez la prise électrique et, le cas échéant, tout verrouillage susceptible de se trouver sur la porte. Rendez-les inopérants afin de ne pas exposer les enfants à d'éventuels dangers.

Disposition et Installation

⚠ Si la porte d'entrée de la pièce où sera installé le réfrigérateur n'est pas assez large pour laisser passer le réfrigérateur, appelez alors le service après-vente pour faire retirer les portes du réfrigérateur et le faire passer latéralement.

1. Installez le réfrigérateur dans un emplacement qui permette une utilisation pratique.
2. Maintenez le réfrigérateur éloigné de toutes sources de chaleur, des endroits humides et de la lumière directe du soleil.
3. Une ventilation d'air autour du réfrigérateur doit être aménagée pour obtenir un fonctionnement efficace. Si le réfrigérateur est placé dans un enfoncement du mur, il doit y avoir un espace d'au moins 5 cm avec le plafond et d'au moins 5 cm avec le mur. Si le sol est couvert de moquette, votre produit doit être surélevé à 2,5 cm du sol.
4. Placez le réfrigérateur sur un a de surface plane afin d'éviter les à-coups.
5. N'exposez pas le réfrigérateur à des températures ambiantes inférieures à 10°C.

Remplacement de l'ampoule intérieure

Si l'ampoule ne fonctionne pas, procédez comme suit.

1- Déconnectez la prise de courant et débranchez la prise d'alimentation.

Vous pouvez éventuellement retirer les tablettes pour avoir un accès plus facile.

2- Utilisez un tournevis à tête plate pour retirer le diffuseur.

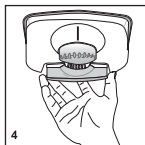
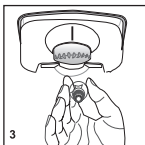
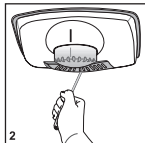
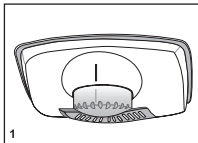
3- Vérifiez d'abord que l'ampoule ne s'est pas desserrée en s'assurant qu'elle soit bien vissée dans son support. Rebranchez la prise et mettez en marche l'appareil.

Si l'ampoule fonctionne, remplacez le diffuseur en insérant le tenon arrière et en poussant vers le haut.

4- Si l'ampoule ne fonctionne toujours pas, déconnectez la prise de courant et débranchez la prise d'alimentation. Remplacez l'ampoule par une nouvelle ampoule de 15 watt (max.) à pas de vis (SES).

5- Jetez soigneusement l'ampoule grillée immédiatement.

Les ampoules de remplacement se trouvent facilement dans les magasins de matériel électrique ou de bricolage locaux.

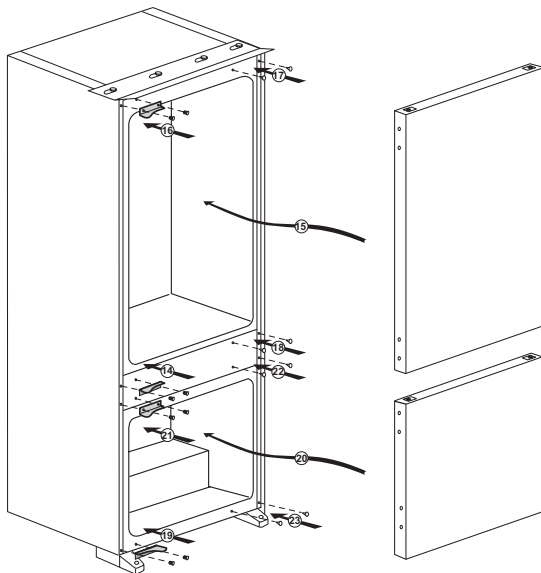
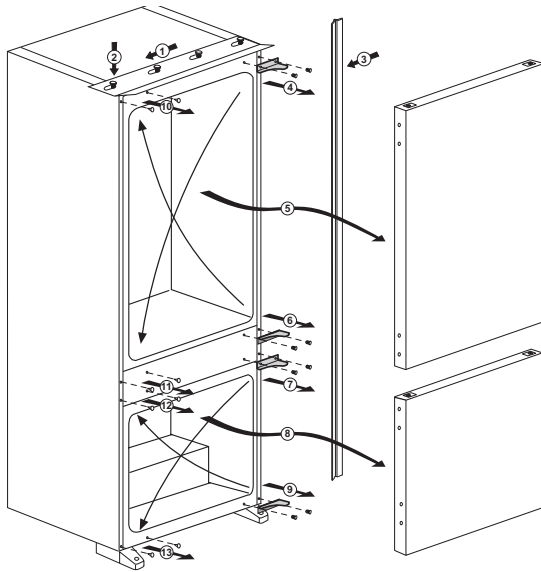


i Cet appareil a été conçu pour fonctionner à des températures spécifiées dans le tableau ci-dessous. Il est par ailleurs doté d'un système de commande de température électronique avancé [AETCS] qui veille à ce qu'au réglage conseillé [4 - quatre sur le bouton] l'aliment congelé dans le congélateur ne se dégivre pas même si la température ambiante chute jusqu'à -15°C . Lorsqu'il est installé pour la première fois, veillez à ce que l'appareil NE soit PAS dans une température ambiante faible parce que le congélateur ne réduira pas sa température de fonctionnement standard. Vous pouvez lui changer d'emplacement une fois qu'il a atteint son état de fonctionnement régulier. Vous pouvez alors l'installer dans un garage ou dans une pièce non chauffée sans craindre que les denrées qui se trouvent dans le congélateur ne s'abîment. Cependant, lorsque le réfrigérateur fonctionne avec les faibles températures ambiantes mentionnées ci-dessus, son contenu est susceptible de congeler. Il est donc conseillé de vérifier et de consommer les aliments contenus dans le réfrigérateur. Lorsque la température ambiante revient à la normale, vous pouvez changer le réglage du bouton en fonction de vos besoins.

i Si la température ambiante est inférieure à 0°C , les denrées du compartiment réfrigérateur vont se congeler. Nous vous recommandons donc de ne pas utiliser le compartiment réfrigérateur dans de telles faibles conditions ambiantes. Vous pouvez continuer à utiliser le compartiment congélateur comme d'habitude.

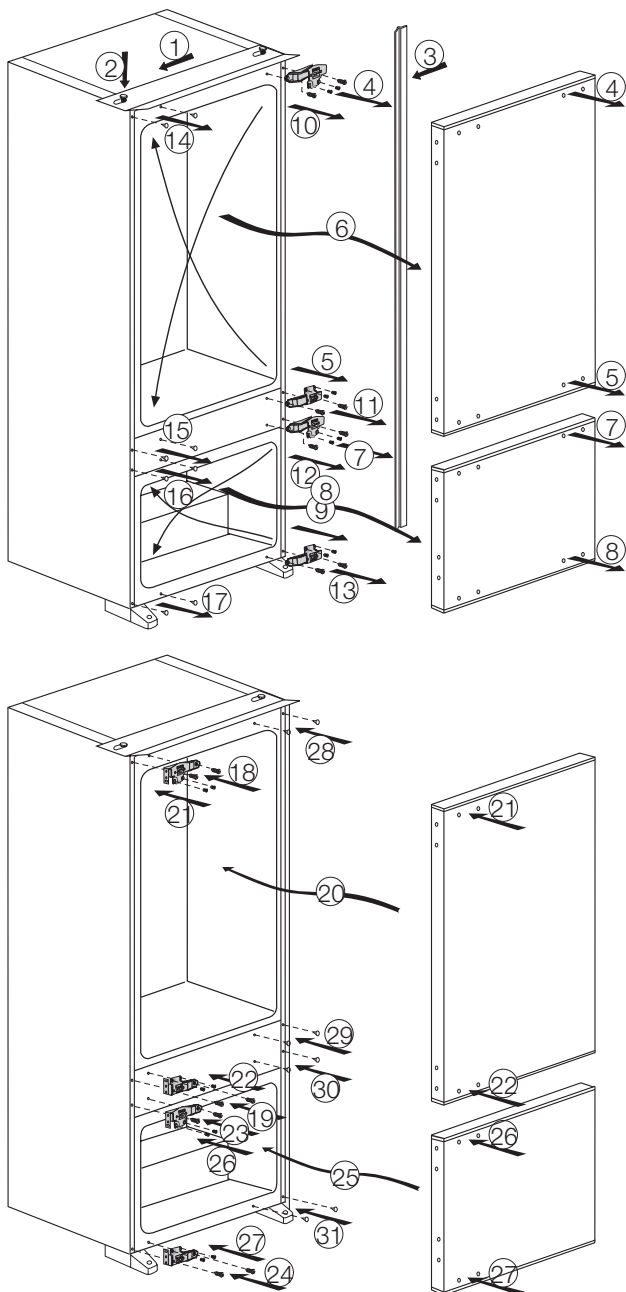
Réversibilité des portes

Procédez dans l'ordre numérique



Réversibilité des portes

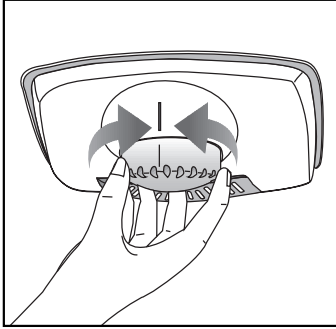
Procédez dans l'ordre numérique



4 Préparation

- Votre réfrigérateur doit être installé à au moins 30 cm des sources de chaleur telles que les plaques de cuisson, les fours, appareils de chauffage ou cuisinières, et à au moins 5 cm des fours électriques. De même, il ne doit pas être exposé à la lumière directe du soleil.
- La température ambiante de la pièce où vous installez le réfrigérateur doit être d'au moins 10°C. Faire fonctionner l'appareil sous des températures inférieures n'est pas recommandé et pourrait nuire à son efficacité.
- Veuillez vous assurer que l'intérieur de votre appareil est soigneusement nettoyé.
- Si deux réfrigérateurs sont installés côte à côte, ils doivent être séparés par au moins 2 cm.
- Lorsque vous faites fonctionner le réfrigérateur pour la première fois, assurez-vous de suivre les instructions suivantes pendant les six premières heures.
 - La porte ne doit pas être ouverte fréquemment.
 - Le réfrigérateur doit fonctionner à vide, sans denrées à l'intérieur.
 - Ne débranchez pas le réfrigérateur. Si une panne de courant se produit, veuillez vous reporter aux avertissements dans la section « Solutions recommandées aux problèmes ».
- L'emballage et les matériaux de protection d'emballage doivent être conservés pour les éventuels transports ou déplacements à venir.

5 Utilisation du réfrigérateur



Bouton de réglage du thermostat

La température intérieure de votre réfrigérateur change pour les raisons suivantes:

- Températures saisonnières,
- Ouverture fréquente de la porte et porte laissée ouverte pendant de longues périodes,
- Denrées introduites dans le réfrigérateur sans réduction à la température ambiante.
- Emplacement du réfrigérateur dans la pièce (par ex. exposition à la lumière directe du soleil)
- Vous pouvez régler les différentes températures intérieures dues à de telles raisons en utilisant le thermostat. Les numéros entourant le bouton du thermostat indiquent le niveau de refroidissement.
- Si la température ambiante est supérieure à 32°C, réglez le bouton du thermostat à la position maximale.
- Si la température ambiante est inférieure à 25°C, réglez le bouton du thermostat à la position minimale..

Décongélation

Compartment réfrigérateur

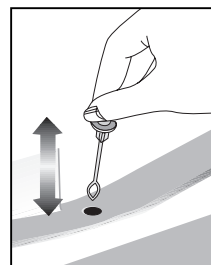
Le compartiment réfrigérateur se dégivre automatiquement. De l'eau s'écoule et une couche de givre pouvant atteindre 7-8 mm peut se former sur la paroi arrière interne du compartiment du réfrigérateur pendant le processus de refroidissement. Cette formation est normale, provoquée par le système de refroidissement. La formation de givre peut être supprimée par le dégivrage automatique qui s'active régulièrement grâce au système de dégivrage de la paroi arrière. L'utilisateur n'a pas besoin d'éliminer le givre ou les gouttes d'eau manuellement.

L'eau générée par le dégivrage s'écoule dans la rainure de collecte de l'eau et passe dans l'évaporateur par le tuyau de vidange où elle s'évapore.

Vérifiez régulièrement le tuyau de vidange pour vous assurer qu'il n'est pas obstrué et débouchez-le en introduisant un bâton dans le trou si nécessaire.

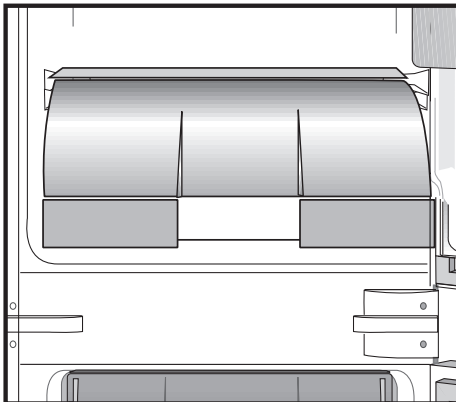
Le compartiment du surgélateur ne réalise pas de dégivrage automatique pour empêcher la détérioration des denrées congelées.

Le compartiment congélateur se dégivre automatiquement.



Compartiment basse température

Ce compartiment a été conçu pour conserver des denrées à décongeler lentement (viande, poisson, poulet, etc.) si nécessaire. Le compartiment basse température est l'endroit le plus froid de votre réfrigérateur dans lequel les produits laitiers (fromage, beurre), la viande, le poisson, ou le poulet peuvent être conservés dans des conditions idéales. Les légumes et/ou fruits ne doivent pas être introduits dans ce compartiment.



6 Entretien et nettoyage

- ⚠ N'utilisez jamais d'essence, de benzène ou de matériaux similaires pour le nettoyage.
- ⚠ Nous vous recommandons de débrancher l'appareil avant de procéder au nettoyage.
- ❗ N'utilisez jamais d'ustensiles tranchants, savon, produit de nettoyage domestique, détergent et cirage pour le nettoyage.
- ❗ Utilisez de l'eau tiède pour nettoyer la carrosserie du réfrigérateur et séchez-la soigneusement à l'aide d'un chiffon.
- ❗ Utilisez un chiffon humide imbibé d'une solution composée d'une cuillère à café de bicarbonate de soude pour un demi litre d'eau pour nettoyer l'intérieur et séchez soigneusement.
- ⚠ Prenez soin de ne pas faire couler d'eau dans le logement de la lampe et dans d'autres éléments électriques.
- ⚠ En cas de non utilisation de votre réfrigérateur pendant une période prolongée, débranchez le câble d'alimentation, sortez toutes les denrées, nettoyez-le et laissez la porte entrouverte.
- ❗ Inspectez les joints de porte régulièrement pour vérifier qu'ils sont propres et qu'il n'y a pas de particules de nourriture.
- ❗ Pour retirer les balconnets de portes, sortez tout son contenu puis poussez simplement le balconnet vers le haut à partir de la base.

Protection des surfaces en plastique.

- Ne placez pas d'huiles ou de plats huileux dans le réfrigérateur dans des récipients non fermés, car les graisses peuvent endommager les surfaces en plastique du réfrigérateur. Si vous versez ou éclaboussez de l'huile sur les surfaces en plastique, nettoyez et lavez les parties souillées avec de l'eau chaude immédiatement.

7 Solutions recommandées aux problèmes

Veuillez vérifier la liste suivante avant d'appeler le service après-vente. Cela peut vous faire économiser du temps et de l'argent. Cette liste regroupe les problèmes les plus fréquents ne provenant pas d'un défaut de fabrication ou d'utilisation du matériel. Il se peut que certaines des fonctions décrites ne soient pas présentes sur votre produit.

Le réfrigérateur ne fonctionne pas
<ul style="list-style-type: none">• Le réfrigérateur est-il correctement branché ? Insérez la prise dans la prise murale.• Est-ce que le fusible ou la douille de raccord du réfrigérateur sont connectés ou est-ce que le fusible principal a sauté ? Vérifiez le fusible.
Condensation sur la paroi intérieure du compartiment réfrigérateur. (MULTI ZONE, COOL CONTROL et FLEXI ZONE)
<ul style="list-style-type: none">• Température ambiante très basse. Ouvertures et fermetures fréquentes de la porte. Humidité ambiante très élevée. Conservation de denrées liquides dans des récipients ouverts. Porte laissée entrouverte.• Réglez le thermostat à un niveau de froid supérieur.• Réduisez les temps d'ouverture de la porte ou utilisez-la moins fréquemment.• Couvrez les denrées dans des récipients ouverts à l'aide d'un matériau adapté.• Essuyez la condensation à l'aide d'un tissu sec et vérifiez si elle persiste.
Le compresseur ne fonctionne pas.
<ul style="list-style-type: none">• Le dispositif de protection thermique du compresseur sautera en cas de coupures soudaines du courant ou de débranchement intempestif, en effet la pression du liquide réfrigérant du système de refroidissement ne sera pas équilibrée.• Le réfrigérateur recommencera à fonctionner normalement après 6 minutes environ. Veuillez contacter le service après-vente si le réfrigérateur ne redémarre pas après cette période.• Le réfrigérateur est en mode de dégivrage. Cela est normal pour un réfrigérateur à dégivrage semi-automatique. Le cycle de dégivrage se déclenche régulièrement.• Le réfrigérateur n'est pas branché à la prise. Assurez-vous que la prise est branchée correctement à la prise murale.• Les réglages de température sont-ils corrects ? Il y a une panne de courant. Veuillez contacter votre fournisseur d'électricité.

Le réfrigérateur fonctionne fréquemment ou pendant de longues périodes.

- Votre nouveau réfrigérateur est peut-être plus large que l'ancien. Ceci est tout à fait normal. Les grands réfrigérateurs fonctionnent pendant une période de temps plus longue.
- La température ambiante de la salle peut être élevée. Ce phénomène est tout à fait normal.
- Le réfrigérateur pourrait y avoir été branché tout récemment ou pourrait avoir été chargé de denrées alimentaires. Le refroidissement complet du réfrigérateur peut durer quelques heures de plus.
- D'importantes quantités de denrées chaudes ont peut-être été introduites dans le réfrigérateur récemment. Les denrées chaudes provoquent un fonctionnement prolongé du réfrigérateur avant d'atteindre le niveau de température de conservation raisonnable.
- Les portes ont peut-être été ouvertes fréquemment ou laissées entrouvertes pendant une durée prolongée. L'air chaud qui entre dans le réfrigérateur le fait fonctionner pendant de plus longues périodes. Ouvrez les portes moins souvent.
- La porte du réfrigérateur ou du congélateur ont peut-être été laissées entrouvertes. Vérifiez que les portes sont bien fermées.
- Le réfrigérateur est réglé à une température très basse. Réglez la température du réfrigérateur à un degré supérieur et attendez jusqu'à ce que la température soit bonne.
- Le joint de la porte du réfrigérateur ou du congélateur peut être sale, déchiré, rompu ou mal en place. Nettoyez ou remplacez le joint. Tout joint endommagé/déchiré fait fonctionner le réfrigérateur pendant une période de temps plus longue afin de conserver la température actuelle.

La température du congélateur est très basse alors que celle du réfrigérateur est correcte.

- La température du congélateur est réglée à une température très basse. Réglez la température du congélateur à un degré supérieur et vérifiez.

La température du réfrigérateur est très basse alors que celle du congélateur est correcte.

- La température du réfrigérateur est réglée à une température très basse. Réglez la température du réfrigérateur à un degré supérieur et vérifiez.

Les denrées conservées dans les tiroirs du compartiment de réfrigération congèlent.

- La température du réfrigérateur est réglée à une température très basse. Réglez la température du réfrigérateur à un degré supérieur et vérifiez.

La température dans le réfrigérateur ou le congélateur est très élevée.

- La température du réfrigérateur est réglée à un niveau de froid très élevé. Le réglage du réfrigérateur a un effet sur la température du congélateur. Modifiez la température du réfrigérateur ou du congélateur jusqu'à ce qu'elles atteignent un niveau correct.
- La porte est peut être restée ouverte. Refermez complètement la porte.
- D'importantes quantités de denrées chaudes ont peut être été introduites dans le réfrigérateur récemment. Attendez que le réfrigérateur ou le congélateur atteigne la bonne température.
- Le réfrigérateur y a peut être été branché récemment. Le refroidissement complet du réfrigérateur nécessite du temps à cause de sa taille.

Un bruit similaire au son émis par l'aiguille des secondes d'une horloge analogique provient du réfrigérateur.

- Ce bruit provient de la valve solénoïde du réfrigérateur. La valve solénoïde fonctionne afin d'assurer le passage du réfrigérant à travers le compartiment qui peut être ajusté aux températures de refroidissement et de congélation, et dans le but d'effectuer les fonctions de refroidissement. Ce phénomène est tout à fait normal et ne constitue nullement un dysfonctionnement.

Le niveau sonore augmente lorsque le réfrigérateur est en marche.

- Les caractéristiques de performance du réfrigérateur peuvent changer en fonction des variations de la température ambiante. Cela est normal et n'est pas un défaut.

Vibrations ou bruits

- Le sol n'est pas plat ou n'est pas solide. Le réfrigérateur oscille lorsqu'on le bouge lentement. Assurez-vous que le sol est plat, solide et qu'il peut supporter le réfrigérateur.
- Les bruits peuvent être produits par les objets placés sur le réfrigérateur. De tels objets doivent être enlevés du dessus du réfrigérateur.

Le réfrigérateur produit des bruits semblables à de l'eau qui coule ou à la pulvérisation d'un liquide.

- Des écoulements de gaz et de liquides se produisent dans le réfrigérateur, de par ses principes de fonctionnement. Cela est normal et n'est pas un défaut.

Le réfrigérateur produit des bruits semblables à du vent.

- Des activateurs d'air (ventilateurs) sont utilisés pour permettre au réfrigérateur de fonctionner efficacement. Cela est normal et n'est pas un défaut.

Condensation sur les parois intérieures du réfrigérateur.

- Un temps chaud et humide augmente la formation de givre et de condensation. Cela est normal et n'est pas un défaut.
- Les portes sont entrouvertes. Assurez-vous que les portes sont complètement fermées.
- Les portes ont peut être été ouvertes très fréquemment ou ont peut être été laissées ouvertes pendant une durée prolongée. Ouvrez la porte moins souvent.

De l'humidité est présente à l'extérieur ou entre les portes du réfrigérateur.

- Le temps est peut être humide. Ceci est tout à fait normal avec un temps humide. Lorsque l'humidité est faible, la condensation disparaîtra.

Présence d'une mauvaise odeur dans le réfrigérateur.

- L'intérieur du réfrigérateur doit être nettoyé. Nettoyez l'intérieur du réfrigérateur avec une éponge, de l'eau ou de l'eau gazeuse chaude.
- Certains récipients ou matériaux d'emballage peuvent provoquer ces odeurs. Utilisez un autre récipient ou changez de marque de matériau d'emballage.

La (les) porte(s) ne se ferme(nt) pas.

- Des récipients peuvent empêcher la fermeture de la porte. Remplacez les emballages qui obstruent la porte.
- Le réfrigérateur n'est probablement pas complètement vertical et il peut balancer lorsqu'on le bouge légèrement. Réglez les vis de levage.
- Le sol n'est pas plat ou solide. Assurez-vous que le sol est plat et qu'il peut supporter le réfrigérateur.

Les bacs à légumes sont coincés.

- Il se peut que les denrées touchent le plafond du tiroir. Disposez à nouveau les denrées dans le tiroir.

Læs venligst denne vejledning først!

Kære kunde

Vi håber, at dit produkt, der er produceret i moderne produktionsanlæg og kontrolleret under de grundigste kvalitetskontrolprocedurer, vil give yde dig en effektiv service.

Derfor anbefaler vi dig grundigt at læse hele vejledningen for produktet, inden du tager det i anvendelse, og gemmer det tilgængeligt for fremtidige opslag.



Denne vejledning

- Vil hjælpe dig med at bruge køleskabet hurtigt og sikkert.
- Læs denne vejledning, inden du installerer og betjener produktet.
- Følg instruktionerne, især sikkerhedsinstruktionerne.
- Opbevar denne manual på et nemt tilgængeligt sted, da du kan få brug for den senere.
- Derudover skal du også læse de andre dokumenter, der er fulgt med produktet.

Bemærk at denne vejledningen også kan være gældende for andre modeller.

Symboler og deres beskrivelse

Denne brugsvejledning indeholder følgende symboler:

-  Vigtige informationer eller brugbare tips.
-  Advarsel mod farlige forhold for liv og ejendom.
-  Advarsel mod strømspænding.

Genvinding



Dette produkt bærer symbolet for selektiv sortering af affald fra elektrisk og elektronisk udstyr (WEEE).

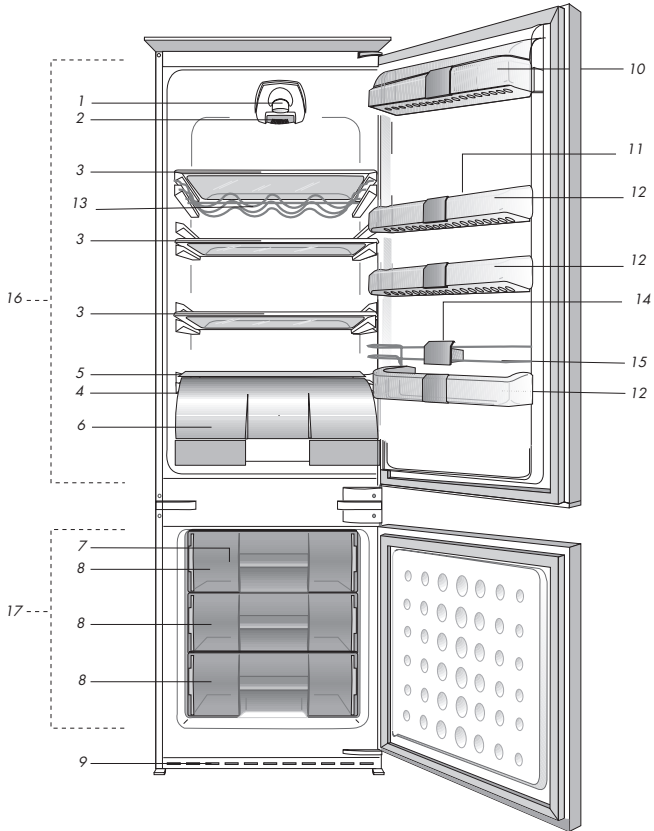
Det betyder, at dette produkt skal håndteres i henhold til det Europæiske Direktiv 2002/96/EC for at blive genanvendt eller afmonteret for at minimere påvirkningen af miljøet. For yderligere information bedes du kontakte de lokale myndigheder.

Elektroniske produkter, der ikke er omfattet af den selektive sorteringsproces, er potentielt farlige for miljøet og menneskets sundhed pga. af tilstedeværelsen af farlige substanser.

INDHOLD

1 Køleskabet	3	4 Tilberedning	13
2 Vigtige sikkerhedsadvarsler	4	5 Anvendelse af køleskabet	14
Tilsigtet brug.....	4	6 Vedligeholdelse og rengøring	16
Generelle sikkerhedsregler.....	4	Beskyttelse af plasticoverflader	16
Børnesikkerhed	6	7 Anbefalede løsninger på problemerne	17
HCA Advarsel.....	6		
Energibesparende foranstaltninger.....	7		
3 Installation	8		
Punkter, der skal tages hensyn til, hvis køleskabet skal transporteres igen.....	8		
Inden køleskabet betjenes	8		
Bortskaffelse af emballagen	8		
Bortskaffelse af det gamle køleskab...	8		
Placering og installation	8		
Udskiftning af den indvendige lyspære	10		
Vende dørene	11		
Vende dørene	12		

1 Køleskabet



- | | |
|---|-------------------------------|
| 1. Indvendigt lys | 10. Mejeriafdeling |
| 2. Termostatknop | 11. Æggebakke |
| 3. Regulerbare hylder | 12. Justerbare hylder i lågen |
| 4. Opsamlingskanal til optøet vand -
Afløbsrør | 13. Flaskehylde |
| 5. Låg til grøntsagsskuffe | 14. Flaskeholder |
| 6. 0 °C afdeling | 15. Tråd til flaskehylde |
| 7. Isbakke | 16. Køleskab |
| 8. Fryser | 17. Fryser |
| 9. Rist | |

i Tallene i denne manual er skematiske og svarer måske ikke helt til dit produkt. Hvis delene ikke er indeholdt i det produkt, du har købt, findes de i andre modeller.

Gennemgå følgende informationer. Hvis de ikke følges, kan der opstå personlig eller materiel skade.

Ellers vil alle garantier og løfter om driftssikkerhed blive ugyldige.

Brugslevetiden for køleskabet er 10 år. Det er den periode, de reservedele bevares, der er nødvendige for, at køleskabet kan køre som beskrevet.

Tilsigtet brug

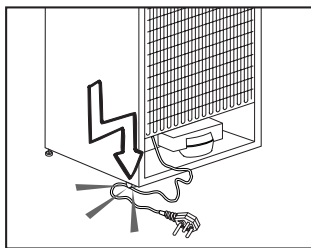
- Dette apparat er beregnet til husholdningsbrug og lignede anvendelsesmuligheder, såsom
 - personalekøkkener i butikker, på kontorer og andre arbejdsområder;
 - på gårde og for gæster på hoteller, moteller og andre lignede beboelsesområder;
 - udlejningshuse, sommerhuse og lignede;
 - catering og lignede miljøer.
- Det skal ikke bruges udendørs. Det er ikke hensigtsmæssigt at anvende køleskabet udendørs, selv om stedet er overdækket med tag.

Generelle sikkerhedsregler

- Når du vil bortskaffe/skrotte produktet, anbefaler vi, at du rådfører dig med den autoriserede service og myndigheder for at tilegne dig de krævede informationer.
- Kontakt den autoriserede forhandler for at få svar på spørgsmål og problemer omkring køleskabet. Undlad at foretage indgreb eller lade andre foretage indgreb på køleskabet uden at informere den autoriserede forhandler.

- Undlad at spise vaffelis eller isterninger lige efter, du har taget dem ud af fryseren! (Det kan forårsage forfrysninger i munden.)
- Læg ikke drikkevarer i flaske eller på dåse i fryseren. De kan eksplodere.
- Rør ikke frosne madvarer med hænderne, da de kan hænge fast i din hånd.
- Damp og fordampede rengøringsmaterialer skal aldrig bruges ved rengøring og afrimning af køleskabet. Hvis det sker, kan dampen komme i kontakt med de elektriske dele og forårsage kortslutning eller elektrisk stød.
- Brug aldrig delene på køleskabet, som f.eks. lågen, til at støtte dig på eller stå på.
- Brug ikke elektriske apparater inde i køleskabet.
- Undlad at beskadige kølesystemet, som kølemidlet cirkulerer omkring, med bore- eller skæreværktøjer. Kølemidlet, som kan blæse ud, når fordampere gaskanaler, forlængerrørerne eller overfladebelæggningerne punkteres, kan forårsage hudirritationer og øjenskader.
- Undlad med nogen form for materiale at tildække eller blokere ventilationshullerne på køleskabet.
- Reparationer af de elektriske apparater må kun udføres af kvalificerede personer. Reparationer, der er udført af inkompetente personer, kan skabe en risiko for brugeren.

- I tilfælde af fejlfunktion under vedligeholdelses- eller reparationsarbejde, skal køleskabets forsyningsnet afbrydes ved enten at slukke for den relevante sikring eller ved at tage apparatets stik ud af kontakten.
 - Træk ikke i ledningen, når stikket skal tages ud.
 - Placer de drikkevarer, der indeholder højere alkoholprocent, stramt lukket og lodret.
 - Opbevar ikke eksplosive stoffer, såsom spraydåser med brændbare drivgasser i køleskabet.
 - Der må ikke anvendes mekanisk udstyr eller andre midler, ud over de af producenten anbefalede, for at fremskynde afrimningsprocessen.
 - Maskinen må ikke anvendes af personer (inklusive børn) som er fysisk eller psykisk handicappede, eller mangler erfaring og viden. Disse personer skal instrueres i brug af maskinen af en person, som har ansvaret for deres sikkerhed.
 - Lad ikke et beskadiget køleskab køre. Henvend dig til din forhandler i tvivlstilfælde.
 - Der kan kun garanteres for køleskabets strømsikkerhed, hvis jordingsystemet i dit hjem opfylder standarderne.
 - At udsætte produkterne for regn, sne, sol og vind er farligt hvad angår el-sikkerheden.
 - Kontakt den autoriseret service, hvis der er beskadiget en strømledning el.lign., så det ikke vil udgøre en fare for dig.
 - Sæt aldrig køleskabet ind i stikkontakten under installationen.
- Hvis det sker, kan der opstå risiko for dødsfald eller alvorlig skade.
- Dette køleskab er udelukkende til opbevaring af mad. Det bør ikke bruges til andre formål.
 - Den mærkat, der beskriver produktets tekniske specifikationer, sidder på indersiden i køleskabets venstre side.
 - Tilslut ikke køleskabet til energibesparende systemer, da det kan skade produktet.
 - Hvis køleskabet er udstyret med et blåt lys, må du ikke kigge på lyset gennem optiske enheder.
 - Hvis strømforsyningen afbrydes på manuelt kontrollerede køleskabe, skal du vente mindst 5 minutter før strømmen sluttes til igen.
 - Denne produktvejledning bør gives til den næste ejer af køleskabet, hvis det får ny ejer.
 - Når du flytter køleskabet, skal du sikre dig, at du ikke beskadiger strømkablet. For at undgå brand bør strømkablet ikke bøjes. Tunge objekter bør ikke placeres på strømkablet. Når køleskabet sluttes til strøm, må du ikke røre ved strømforsyningen med våde hænder.



- Tilslut ikke køleskabet hvis stikket er løst.

- Sprøjt ikke vand direkte på de ydre og indre dele af køleskabet af sikkerhedsmæssige årsager.
- Sprøjt ikke brandbare materialer som propan osv. i nærheden af køleskabet, da der vil opstå brand- og eksplosionsfare.
- Anbring ikke objekter fyldt med vand oven på køleskabet, da de kan forårsage elektrisk stød eller brand.
- Overfyld ikke køleskabet med for meget mad. De overskydende madvarer kan falde ud når døren åbnes og kan skade dig eller køleskabet. Anbring ikke objekter oven på køleskabet, da de kan falde ned når køleskabsdøren åbnes eller lukkes.
- Ting, der kræver en bestemt temperatur, såsom vaccine, temperaturfølsomme lægemidler, videnskabelige materialer osv., bør ikke opbevares i køleskabet.
- Hvis køleskabet ikke skal være i brug for en længere periode, bør strømmen kobles fra. Et problem i en elektrisk ledning kan forårsage brand.
- Spidsen af stikket bør rengøres jævnligt, da det ellers kan forårsage brand.
- Køleskabet kan flytte sig, hvis de justerbare fødder ikke er justeret til gulvet. Ved hjælp af de justerbare fødder kan du sikre dig, at køleskabet står godt fast på gulvet.
- Hvis køleskabet er udstyret med dørhåndtag, skal du ikke trække i disse håndtag for at flytte køleskabet, da de kan falde af.

- Hvis du skal betjene køleskabet ved siden af andet køleskab eller fryser, bør afstanden mellem apparaterne være mindst 8 cm. Ellers kan der opstå kondens på sidevægge, der vender mod hinanden.
- Vandledningstryk må ikke komme under 1 bar. Vandledningstryk må ikke komme over 8 bar.
- Brug kun rent drikkevand.

Børnesikkerhed

- Hvis døren har en lås, bør nøglen opbevares uden for børns rækkevidde.
- Børn skal være under opsyn, så de ikke leger med maskinen.

HCA Advarsel

Hvis produktet er udstyret med et kølesystem, der indeholder R600a:

Denne gas er brændbar. Du skal derfor være opmærksom på ikke at ødelægge kølesystemet og kølerørerne under brug og transport. I tilfælde af beskadigelse skal produktet holdes væk fra mulige brandkilder, der kan forårsage, at produktet går i brand, og du skal sørge for at lufte ud i rummet, hvor produktet er placeret.

Ignorer advarslen, hvis produktet er udstyret med et kølesystem, der indeholder R134a.

Du kan se, hvilken gas der er brugt til at producere dit produkt, ved at se mærkepladen, der er placeret indvendigt til venstre.

Anbring aldrig produktet i ild.

Energibesparende foranstaltninger

- Undlad at lade lågerne i køleskabet stå åbne i lang tid.
- Put ikke varm mad eller drikke i køleskabet.
- Overfyld ikke køleskabet, så luftcirkulationen bliver forhindret.
- Placer ikke dit køleskab under direkte sollys eller tæt på varmeudstrålende apparater, som f.eks. ovne, opvaskemaskiner eller radiatorer.
- Vær omhyggelig med at opbevare maden i lukkede beholdere.
- Den maksimale mængde madvarer, der kan opbevares i dit køleskabs fryserum, når hylde eller skuffen fjernes. Det anførte energiforbrug for dit køleskab blev fastsat, når fryserummets hylde eller skuffe var fjernet og med den maksimale mængde madvarer. Der er ingen risiko ved at bruge en hylde eller skuffe, der passer i form og størrelse til de madvarer, der skal fryses.

3 Installation

⚠ Husk, at producenten ikke holdes ansvarlig, hvis oplysningerne givet i brugsanvisningen ikke er overholdt.

Punkter, der skal tages hensyn til, hvis køleskabet skal transporteres igen

1. Køleskabet skal tømmes og rengøres inden transport.
2. Hylder, tilbehør, grøntsagsskuffer osv. i køleskabet skal fastgøres sikkert for at modvirke stød, inden produktets pakkes igen.
3. Emballagen skal fastgøres med tykt tape og stærke reb, og reglerne for transport, der er trykt på pakken, skal følges.

Glem ikke, at...

Alt genbrugsmateriale er en uundværlig kilde for naturen og for vore nationale ressourcer.

Hvis du ønsker at medvirke til at genbruge emballagen, kan du få yderligere informationer hos miljøorganisationerne eller de lokale myndigheder.

Inden køleskabet betjenes

Inden du begynder at bruge køleskabet, skal du kontrollere følgende:

1. Er køleskabet tørt indvendigt, og kan luften cirkulere frit bagved det?

Elektrisk tilslutning

Tilslut produktet til en jordet kontakt, der er beskyttet af en sikring med passende kapacitet.

Vigtigt:

- Tilslutningen skal være i overensstemmelse med de nationale regulativer.
- Strømkablet skal være nemt

tilgængeligt efter installationen.

- Den angivne spænding skal være lig med spændingen for dit forsyningsnet.
- Mellemkabler og stikdåser med flere stik skal ikke bruges til tilslutningen.

⚠ Et ødelagt strømkabel skal udskiftes af en autoriseret elektriker.

⚠ Produktet må ikke betjenes, før det er repareret! Der er fare for elektrisk stød!

Bortskaffelse af emballagen

Emballagen kan være farlig for børn. Hold emballagen væk fra børns rækkevidde eller bortskaf dem, idet du skal klassificere dem i henhold til affaldsinstruktionerne. Smid dem ikke væk sammen med det øvrige husholdningsaffald.

Køleskabets emballage er produceret af genanvendelige materialer.

Bortskaffelse af det gamle køleskab

Bortskaf det gamle køleskab uden at skade miljøet.

- Du kan spørge din forhandler eller genbrugsstationen i din kommune angående bortskaffelse af køleskabet.

Inden køleskabet bortskaffes, skal du skære elstikket af, og hvis der er låse i lågen, skal du gøre dem ubrugelige for at beskytte børn mod fare.

Placering og installation

⚠ Hvis indgangsdøren til rummet, hvor køleskabet skal installeres, ikke er bred nok til køleskabet at komme igennem, skal du kontakte autoriseret serviceagent for at fjerne køleskabets døre og så bære køleskabet sidelæns igennem døren.

1. Installér køleskabet på et sted, hvor det er nemt at bruge.

2. Hold køleskabet væk fra varmekilder, fugtige steder og direkte sollys.

3. Der skal være tilstrækkelig ventilation rundt om køleskabet for at opnå en effektiv funktion.

Hvis køleskabet skal placeres i en fordybning i væggen, skal der være mindst 5 cm afstand fra loft og væg.

Hvis gulvet er belagt med tæppe, skal produktet hæves 2,5 cm fra gulvet.

4. Placér køleskabet på en jævn gulvoverflade for at undgå rystebevægelser.

5. Stil ikke køleskabet på et sted, hvor de omgivende temperaturer er under 10°C.

i Dette apparat, der er beregnet til at virke ved temperaturerne, der er specificeret i tabellen nedenfor, er udstyret med Advanced Electronic Temperature Control System [AETCS], der sikrer, at ved den anbefalede indstilling [4 – fire på knappen] vil frossen mad ikke tø op, selv om den omgivende temperatur falder helt ned til -15 °C.

Når apparatet er installeret MÅ DET IKKE anbringes på steder med lav rumtemperatur da fryseren ikke kan returnere til den almindelige funktionstemperatur. Når det har nået den faste funktionstilstand, kan det flyttes.

Du kan så anbringe apparatet i en garage eller et uopvarmet rum uden at bekymre dig om at den frosne mad i fryseren kan blive ødelagt. Ved lave rumtemperaturer som nævnt ovenfor vil ting i køleskabet dog sandsynligvis fryse så du bør derfor tjekke og bruge madvarene i køleskabet. Når rumtemperaturen igen er normal, kan du stille på håndtaget så det tilpasses dine behov.

i Hvis rumtemperaturen er under 0°C, vil madvarer i køleskabet fryse. Derfor anbefaler vi at du ikke bruger køleskabet ved så lave temperaturer. Du kan fortsat bruge fryseren som normalt.

Udskiftning af den indvendige lyspære

Hvis lyset ikke virker, skal du gå frem som følger.

1- Sluk på stikkontakten og træk stikket ud.

Du vil måske finde det praktisk at tage hylderne ud for nem adgang.

2- Brug en skruetrækker med flad spids til at tage lyssprederskærmen af.

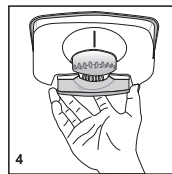
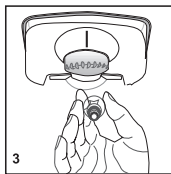
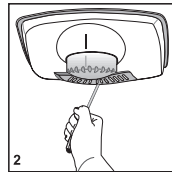
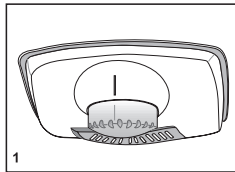
3- Kontrollér først, at pæren ikke har arbejdet sig løs ved at sikre, at den er skruet sikkert i holderen. Sæt stikket i igen og tænd.

Hvis pæren virker, skal lysdækslet sættes tilbage ved at sætte den bageste kabelsko i og skubbe op for at finde de forreste to kabelsko.

4- Hvis lyset stadig ikke virker, skal det slukkes på kontakten og stikket tages ud. Udskift pæren med en ny 15 watt (maks.) pære med gevindsokkel (SES).

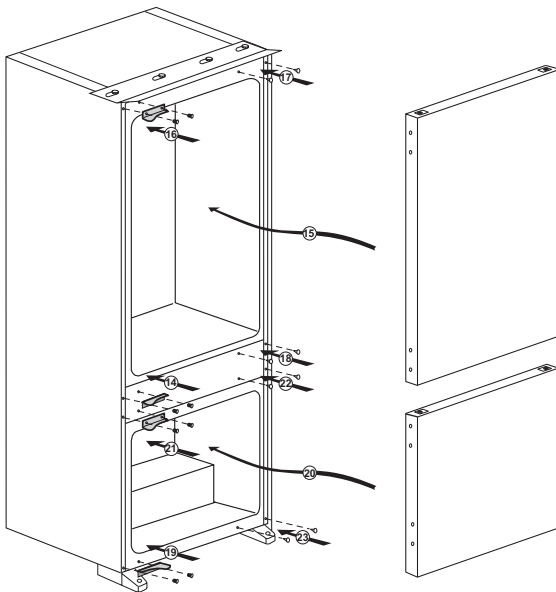
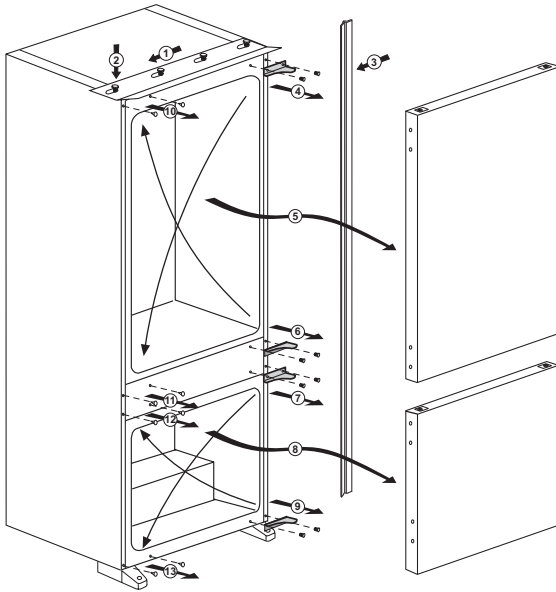
5- Bortskaf forsigtigt den udbrændte pære med det samme.

En pære til udskiftning kan nemt købes hos en god lokal elektriker eller gørdet-selv butik.



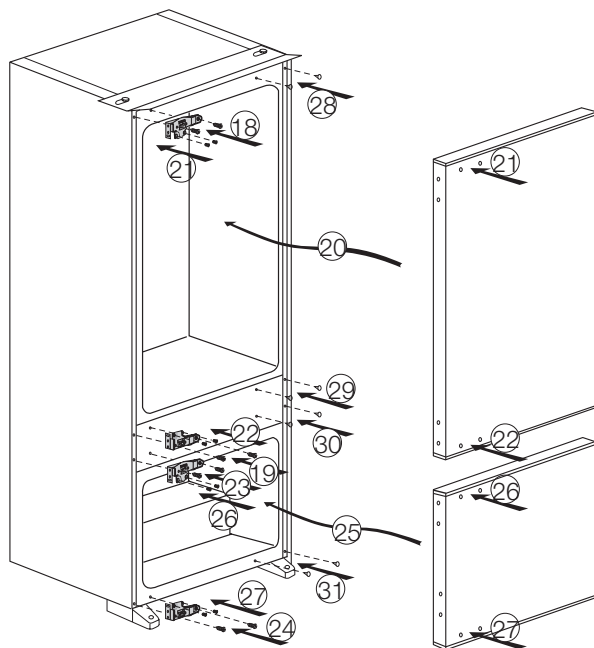
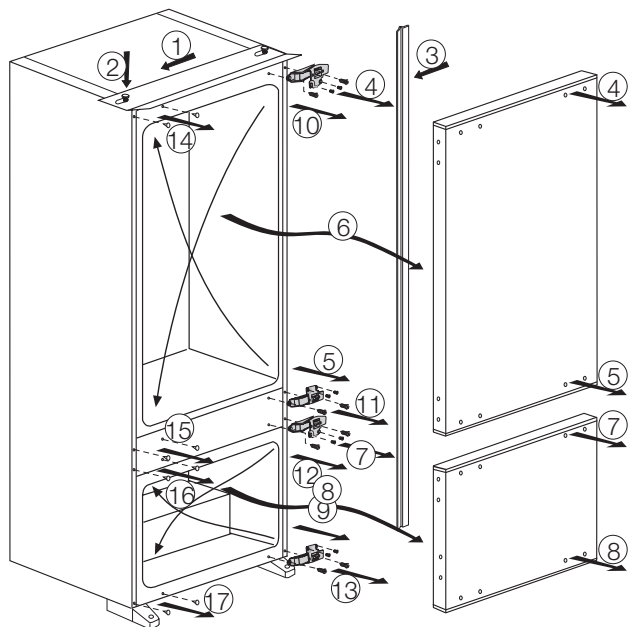
Vende dørene

Fortsæt i numerisk rækkefølge



Vende dørene

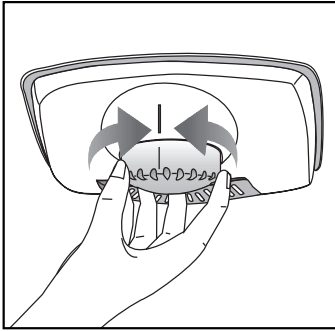
Fortsæt i numerisk rækkefølge



4 Tilberedning

- i** Køleskabet skal installeres mindst 30 cm væk fra varmekilder, som f.eks. kogeplader, ovne, radiatorer og brændeovne, og mindst 5 cm væk fra elektriske ovne, og det bør ikke placeres i direkte sollys.
- i** Den omgivende temperatur i det rum, hvor køleskabet installeres, bør være mindst 10°C. For at køleskabet skal være effektivt, anbefales det ikke at betjene det under koldere forhold.
- i** Sørg for at den indvendige del af køleskabet er grundigt rengjort.
- i** Hvis der skal installeres to køleskabe ved siden af hinanden, bør der være mindst 2 cm imellem dem.
- i** Når du lader køleskabet køre første gang, skal du overholde følgende instruktioner de første 6 timer.
 - Lågen skal ikke åbnes ofte.
 - Det skal køre tomt uden nogen form for mad i det.
 - Tag ikke køleskabet ud af stikkontakten. Hvis der opstår et strømudfald uden for din kontrol, så læs advarslerne under afsnittet "Anbefalede løsninger ved problemer".
- i** Den originale emballage og skummaterialerne bør gemmes for fremtidig transport eller flytning.

5 Anvendelse af køleskabet



Indstilling af termostatknop

Køleskabets indvendige temperatur kan ændre sig pga. følgende:

- Sæsonbetonede temperaturer;
- Hvis lågen ofte åbnes, og hvis lågen efterlades åben i længere perioder,
- Mad, der sættes ind i køleskabet, uden at være kølet ned til rumtemperatur,
- Placering af køleskabet i rummet (f.eks. udsættelse for sollys).
- Du kan justere de varierende indvendige temperaturer, der er opstået af disse årsager, ved at bruge termostaten. Tallene rundt om termostatknappen angiver kølegraderne.
- Hvis den omgivende temperatur er mere end 32 °C, skal du dreje termostatknappen over på maksimum position.
- Hvis den omgivende temperatur er under 25 °C, skal du dreje termostatknappen over på minimum position.

Afrimning

Køleskab

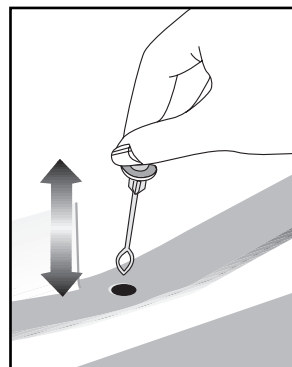
Køleskabet udfører fuldautomatisk afrimning. Der kan opstå vanddråber og isblomstdannelse op til 7-8 mm på køleskabets bageste væg, mens køleskabet køler ned. Sådant en dannelse er normal som et resultat af kølesystemet. Frostdannelsen afrimes ved udførelse af automatisk afrimning med bestemte intervaller takket være det automatiske afrimningssystem af bagvæggen. Brugeren skal ikke skrabe frosten af eller fjerne vanddråberne.

Vand, der opstår som følge af afrimningen, passerer fra vandopsamlingsrenden og flyder ind i fordampere gennem drænrøret og fordamper af sig selv.

Kontroller jævnligt for at se, om drænrøret er tilstoppet eller ej, og ryd det med pinden i hullet, hvis nødvendigt.

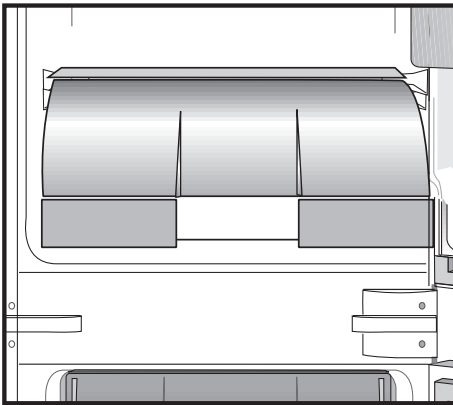
Dybfryseren udfører ikke automatisk afrimning for at forhindre frossen mad i at forrådnede.

Fryserafdelingen afrimer automatisk.



Nul-grader rum

Dette rum er beregnet til at opbevare frossen mad, som skal tøs langsomt op (kød, fisk, kylling osv.). Nul-grader rummet er det koldeste sted i køleskabet, hvor mejeriprodukter (ost, smør), kød, fisk eller kylling kan opbevares ved ideelle opbevaringsbetingelser. Grøntsager og/eller frugt skal ikke placeres i dette rum.



6 Vedligeholdelse og rengøring

- ⚠️ Anvend aldrig benzin, benzen eller lignede stoffer til rengøring.
- ⚠️ Vi anbefaler at koble køleskabet fra strømmen inden rengøring.
- ⚠️ Anvend aldrig skarpe, slibende redskaber, sæbe, rengøringsmidler, detergenter og pudsemidler med voks til rengøring.
- 📌 Brug lunt vand til rengøring af køleskabet udvendigt og tør det af.
- 📌 Anvend en fugtig, opvredet klud i en opløsning af en teske af natron til en halv liter vand til rengøring af køleskabet indvendigt og tør det af.
- ⚠️ Sørg for, at ingen vand kommer i kontakt med lampen og andre elektriske dele.
- ⚠️ Hvis køleskabet ikke skal bruges i en længere periode, træk stikket ud af kontakten, fjern al mad, rengør køleskabet og lad døren stå på klem.
- 📌 Kontroller jævnligt dørhænderne for at sikre, at de er rene og frie for madrester.
- ⚠️ For at fjerne dørhænder, tømmes indholdet ud, hvorefter dørhænderne ganske enkelt løftes op fra sin plads.

Beskyttelse af plasticoverflader

- 📌 Sæt ikke flydende olie eller olieholdige madvarer i åbne beholdere da de kan ødelægge køleskabets plastikdele. Hvis der spildes eller smøres olie på plasticoverfladerne, skal den relevante del af overfladen renses og skylles med det samme med varmt vand.

7 Anbefalede løsninger på problemerne

Læs denne liste igennem, inden du ringer efter service. Det kan spare dig for tid og penge. Denne liste indeholder ofte forekommende reklamationer, der ikke opstår af defekt udførelse eller materialebrug. Det er muligt, at nogle af de her beskrevne funktioner ikke findes i dit produkt.

Køleskabet virker ikke
<ul style="list-style-type: none">• Er køleskabet sat rigtigt i stikkontakten? Sæt stikket i kontakten i væggen.• Er sikringen, som køleskabet er tilsluttet, eller hovedsikringen sprunget? Kontrollér sikringen.
Kondition på siden af køleskabet (MULTIZONE, KØLEKONTROL og FLEXIZONE).
<ul style="list-style-type: none">• Meget kolde omgivelser. Ofte åbning og lukning af lågen. Højt fugtindhold i omgivelserne. Opbevaring af mad, der indeholder væske, i åbne beholdere. Lågen står på klem. Sæt termostaten på koldere grader.• Reducér tiden, hvor lågen står åben, eller brug den mindre ofte.• Dæk maden, der opbevares i åbne beholdere, til med passende materiale.• Tør kondensvandet af vha. en tør klud og kontrollér, om det vedvarer.
Kompressoren kører ikke.
<ul style="list-style-type: none">• Beskyttelsestermo fra kompressoren vil blæse ud under pludselig strømudfald eller tilkoblinger/afkoblinger, da kølemiddeltrykket i køleskabets kølesystem ikke er bragt i balance endnu. Køleskabet vil starte med at køre efter ca. 6 minutter. Ring efter service, hvis køleskabet ikke starter efter denne periode.• Køleskabet er ved at afrime. Dette er normalt for et køleskab med fuldautomatisk afrimning. Afrimning foregår med jævne mellemrum.• Køleskabsstikket er ikke sat i kontakten. Sørg for, at stikket er sat ordentligt i kontakten.• Er temperaturindstillingerne foretaget rigtigt?• Strømmen kan være afbrudt.
Køleskabet kører ofte eller i lang tid.

<ul style="list-style-type: none"> • Det nye køleskab kan være bredere end det foregående. Det er ganske normalt. Store køleskabe arbejder i længere perioder. • Den omgivende rumtemperatur kan være høj. Det er ganske normalt. • Køleskabet kan have været sat til for nylig eller have været fyldt op med mad. Komplet nedkøling af køleskabet kan vare et par timer længere. • Store mængder varm mad kan være blevet sat ind i køleskabet fornylig. Varm mad medfører, at køleskabet skal køre i længere tid, indtil maden når den ønskede temperatur. • Lågerne kan have været åbnet jævnlige eller have stået på klem i lang tid. Den varme luft, der er kommet ind i køleskabet, får køleskabet til at køre i længere perioder. Undlad at åbne lågen så ofte. • Fryserens eller køleskabets dør kan have stået på klem. Kontroller om lågerne er lukket tæt. • Køleskabet er indstillet meget koldt. Indstil køleskabstemperaturen højere, indtil temperaturen er tilpas. • Køleskabets eller fryserens lågepakning kan være snavset, slidt, ødelagt eller ikke sat ordentligt på. Rengør eller udskift pakningen. Beskadiget/brækket pakning forårsager, at køleskabet kører i længere perioder for at vedligeholde den aktuelle temperatur.
<p>Frysertemperaturen er meget lav, mens køleskabstemperaturen er tilpas.</p> <ul style="list-style-type: none"> • Frysertemperaturen er indstillet meget koldt. Juster frysertemperaturen varmere og kontroller.
<p>Køleskabstemperaturen er meget lav, mens fryserstemperaturen er tilpas.</p> <ul style="list-style-type: none"> • Køleskabstemperaturen er indstillet til en meget lav temperatur. Juster køleskabstemperaturen varmere og kontroller.
<p>Mad, der opbevares i køleskabet, fryser.</p> <ul style="list-style-type: none"> • Køleskabstemperaturen er indstillet til en meget lav temperatur. Juster køleskabstemperaturen varmere og kontroller.
<p>Temperaturen i køleskab eller fryser er meget høj.</p> <ul style="list-style-type: none"> • Køleskabstemperaturen er indstillet til en meget lav temperatur. Køleskabsindstillingen har virkning på fryserens temperatur. Skift køleskabets eller fryserens temperatur, indtil køleskabs- eller frysertemperatur når et tilpas niveau. • Lågerne kan have været åbnet jævnlige eller have stået på klem i lang tid. • Døren kan have stået på klem, luk døren helt. • Store mængder varm mad kan være blevet sat ind i køleskabet fornylig. Vent til køleskabet eller fryseren når den ønskede temperatur. • Køleskabet kan være taget ud af kontakten fornylig. Komplet nedkøling af køleskabet tager tid.
<p>Funktionslyden øges, når køleskabet kører.</p>

<ul style="list-style-type: none"> Egenskaberne for køleskabets driftsydelse kan ændre sig alt efter ændringerne i den omgivende temperatur. Det er normalt og ikke en fejl.
Vibrationer eller støj.
<ul style="list-style-type: none"> Gulvet er ikke lige, eller det er svagt. Køleskabet vipper, når det flyttes langsomt. Sørg for, at gulvet er lige, stærkt og kapabelt til at bære køleskabet. Støjen kan være forårsaget af de genstande, der er lagt i køleskabet. Ting oven på køleskabet skal fjernes.
Der er støj som væske, der løber over eller sprøjter.
<ul style="list-style-type: none"> Væske- og gasstrømning sker i henhold til køleskabets driftsprincipper. Det er normalt og ikke en fejl.
Der er en støj som en vind, der blæser.
<ul style="list-style-type: none"> Ventilatorer bruges til at køle køleskabet. Det er normalt og ikke en fejl.
Kondensvand på køleskabets indervægge.
<ul style="list-style-type: none"> Varmt og fugtigt vejr øger isdannelse og udsvedning. Det er normalt og ikke en fejl. Dørene kan have stået på klem, sørg for de er helt lukkede. Lågerne kan have været åbnet jævnlige eller have stået på klem i lang tid.
Der opstår fugt på ydersiden af køleskabet eller mellem lågerne.
<ul style="list-style-type: none"> Der kan være fugtighed i luften hvilket er normalt i fugtigt vejr. Når fugtigheden er mindre, vil kondensen forsvinde.
Dårlig lugt inde i køleskabet.
<ul style="list-style-type: none"> Køleskabets skal rengøres indvendigt. Rengør køleskabet indvendigt med en svamp, varmt vand eller kulstoffoldigt vand. Nogle beholdere eller emballeringsmaterialer kan forårsage lugten. Brug en anden beholder eller et andet mærke indpakningsmateriale.
Døren lukker ikke.
<ul style="list-style-type: none"> Madbeholdere forhindrer lågen i at lukke. Omlacer pakkerne, der blokerer lågen. Køleskabet står ikke helt lodret på gulvet og vipper når det flyttes lidt. Justér højdeskruerne. Gulvet er ikke lige eller stærkt. Sørg for, at gulvet er lige, stærkt og kapabelt til at bære køleskabet.
Grøntsagsskuffer sidder fast.
<ul style="list-style-type: none"> Maden berører måske skuffens top. Omarranger maden i skuffen.

Gelieve eerst deze gebruiksaanwijzing te lezen!

Geachte Klant,

We hopen dat uw product, dat in een moderne fabriek werd geproduceerd en onder de meest nauwkeurige procedures voor kwaliteitscontrole werd gecontroleerd, u doeltreffend van dienst zal zijn.

Wij bevelen daarom aan dat u eerst zorgvuldig de volledige gebruiksaanwijzing van uw product leest voordat u het product gaat gebruiken. Bewaar de handleiding voor toekomstige raadpleging.

Deze gebruiksaanwijzing...




...helpt u uw toestel snel en veilig te gebruiken.

- Lees de gebruiksaanwijzing voordat u het product installeert en gebruikt.
- Volg de instructies, in het bijzonder die met betrekking tot veiligheid.
- Bewaar de gebruiksaanwijzing op een eenvoudig toegankelijke plaats aangezien u deze later nodig kunt hebben.
- Daarnaast dient u ook de andere documenten die bij uw product worden geleverd te lezen.

Let erop dat deze gebruiksaanwijzing ook voor andere modellen kan gelden.

Symbolen en hun beschrijvingen

Deze instructiehandleiding bevat de volgende symbolen:

-  Belangrijke informatie of nuttige gebruikstips.
-  Waarschuwing tegen gevaarlijke omstandigheden voor leven en eigendommen.
-  Waarschuwing tegen elektrische spanning.



Dit product bevat het symbool voor selectief sorteren van afval van elektrische uitrustingen en elektronica (WEEE).

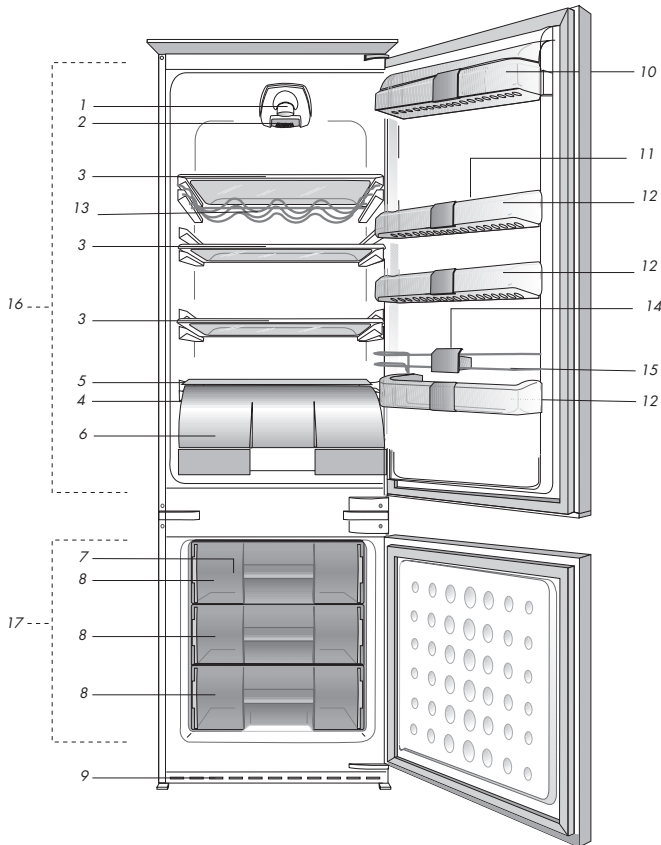
Dit betekent dat dit product moet worden gehanteerd overeenkomstig de Europese richtlijn 2002/96/EC ten einde te worden gerecycleerd of gedemonteerd om de impact op het milieu te minimaliseren. Voor meer informatie, neem a.u.b. contact op met uw plaatselijke of regionale overheid.

Elektronische producten die niet selectief gesorteerd worden, zijn potentieel gevaarlijk voor het milieu en de gezondheid van de mens omwille van de aanwezigheid van gevaarlijke stoffen.

Inhoudsopgave

1 Uw koelkast	3	4 Voorbereiding	13
2 Belangrijke veiligheidswaarschuwingen	4	5 Gebruik van uw koelkast	14
Bedoeld gebruik	4	Nul-graden-vak.....	15
Voor producten met een waterdispenser;	6	6 Onderhoud en reiniging	16
Kinderbeveiliging	6	Bescherming van de kunststof oppervlakken	16
HCA-Waarschuwing	7	7 Aanbevolen oplossingen voor problemen	17
Aanwijzingen ter besparing van energie	7		
3 Installatie	8		
Aandachtspunten bij het opnieuw transporteren van uw koelkast	8		
Alvorens de inwerkstelling van uw koelkast.....	8		
Elektrische aansluiting	8		
Afvoeren van de verpakking.....	9		
Afvoeren van uw oude koelkast	9		
Plaatsing en installatie.....	9		
Het binnenlichtje vervangen	10		
De deuren omkeren	11		
De deuren omkeren	12		

1 Uw koelkast



- | | |
|-------------------------------------|------------------------------|
| 1. Binnenlichtje | 10. Vak voor zuivelproducten |
| 2. Thermostaatknop | 11. Eierrek |
| 3. Aanpasbare schappen | 12. Verstelbare deurvakken |
| 4. Afvoerkanaal dooiwater - uitloop | 13. Flessenrek |
| 5. Deksel van groentelade | 14. Flessenhouder |
| 6. 0 °C Vak | 15. Flessendraad |
| 7. Ijsbank | 16. Koelgedeelte |
| 8. Diepvriesgedeelte | 17. Diepvriesgedeelte |
| 9. Luchtrooster | |

f De afbeeldingen in deze gebruiksaanwijzing zijn schematisch en hoeven niet exact met uw product overeen te komen. Wanneer onderdelen niet tot het product behoren dat u hebt gekocht, zijn deze geldig voor andere modellen.

2 Belangrijke veiligheids waarschuwingen

Gelieve de volgende informatie goed te bestuderen. Verzuim deze informatie door te lezen kan letsel of materiële schade veroorzaken. In dat geval worden alle garantie en betrouwbaarheidsgaranties ongeldig. De levensduur van de unit die u heeft aangekocht is 10 jaar. Dit is de periode dat u benodigde reserveonderdelen dient te bewaren om de unit te laten werken zoals beschreven.

Bedoeld gebruik

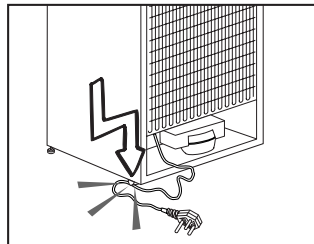
Dit product is bedoeld voor gebruik

- binnen en in afgesloten ruimten zoals huizen;
- in afgesloten werkomgevingen zoals winkels en kantoren;
- in afgesloten verblijfplaatsen zoals boerenhoeven, hotels, pensions.
- Dit toestel mag niet buitenshuis worden gebruikt.

Algemene veiligheid

- Wanneer u het product wenst af te voeren, raden wij u aan de bevoegde onderhoudsdienst te raadplegen om de benodigde informatie en bevoegde instanties te leren kennen.
- Raadpleeg uw bevoegde onderhoudsdienst voor alle vragen en problemen met betrekking tot de koelkast. Voer geen ingrepen aan de koelkast uit en laat dit ook niet door iemand anders doen zonder de bevoegde onderhoudsdienst op de hoogte te stellen.
- Voor producten met een diepvriesvak; Eet geen ijs of ijsblokjes onmiddellijk nadat u deze uit het diepvriesvak heeft gehaald! (Dit kan bevroering in uw mond veroorzaken.)
- Voor producten met een diepvriesvak; Plaats geen flessen of blikjes met vloeibare dranken in het diepvriesvak. Deze zouden kunnen barsten.
- Raak ingevroren voedingsmiddelen niet met de hand aan; deze kunnen aan uw hand vastplakken.
- Trek de stekker van uw koelkast uit het stopcontact voordat u deze schoonmaakt of ontdooit.
- Bij het schoonmaken en ontdooien van de koelkast mogen geen stoom en stoomreinigers gebruikt worden. De stoom kan in contact komen met de elektrische onderdelen en kortsluiting of een elektrische schok veroorzaken.
- Gebruik geen onderdelen van uw koelkast zoals de deur als steun of opstapje.
- Gebruik geen elektrische apparaten binnen in de koelkast.
- Beschadig de onderdelen waar de koelmoeistof circuleert niet door boor- of snijgereedschap. De koelmoeistof kan naar buiten geblazen worden wanneer de gasleidingen van de verdamper, leidingverlengingen of oppervlaktecoatings worden doorboord en dit veroorzaakt huidirritatie en oogletsel.
- Dek of blokkeer de ventilatieopeningen van uw koelkast met geen enkel materiaal.
- Elektrische apparaten dienen slechts te worden gerepareerd door bevoegde personen. Reparaties die door onbevoegde personen worden leveren een risico voor de gebruiker op.

- In geval van storing of tijdens onderhoud- of reparatiewerkzaamheden, sluit de stroomtoevoer van de koelkast af door de zekering uit te draaien of de stekker van het apparaat uit te trekken.
- Bij het uittrekken van de stekker deze niet aan de kabel uittrekken.
- Plaats alcoholische dranken goed afgesloten en verticaal.
- Bewaar nooit spuitbussen met ontvlambare en explosieve substanties in de koelkast.
- Gebruik geen andere mechanische toestellen of andere middelen om het ontdooiingproces te versnellen dan die toestellen of middelen die door de fabrikant worden aangeraden.
- Dit product is niet bedoeld te worden gebruikt door personen met fysieke, zintuiglijke of mentale afwijkingen of personen met gebrek aan kennis of ervaring (inclusief kinderen) mits deze worden bijgestaan door een persoon die verantwoordelijk is voor hun veiligheid of die hen dienovereenkomstig instrueert hoe het product te gebruiken.
- Gebruik geen beschadigde koelkast. Raadpleeg de servicedienst in geval van twijfel.
- Elektrische veiligheid van uw koelkast wordt alleen gegarandeerd wanneer het aardingsstelsel in uw huis aan de normen voldoet.
- Blootstelling van het product aan regen, sneeuw, zon en wind is gevaarlijk met betrekking tot de elektrische veiligheid.
- Neem bij schade aan de stroomkabel contact op met de bevoegde servicedienst om gevaar te voorkomen.
- Steek tijdens installatie nooit de stekker van de koelkast in het stopcontact. Er bestaat een kans op overlijden of serieus letsel.
- Deze koelkast is slechts bedoeld voor de opslag van voedselwaren. Het dient niet gebruikt te worden voor andere doeleinden.
- Typeplaatje met technische specificaties bevindt zich op de linkerbinnenwand in de koelkast.
- Sluit uw koelkast nooit aan op een elektriciteitsbesparingsstelsel; dit kan de koelkast beschadigen.
- Als er zich een blauw lampje op de koelkast bevindt dient u hier niet naar te kijken door optische instrumenten.
- Voor handbediende koelkasten wacht u na een stroomonderbreking tenminste 5 minuten voordat u de koelkast in werking stelt.
- Deze gebruikershandleiding moet aan de nieuwe eigenaar van het toestel gegeven worden wanneer het toestel doorgegeven wordt.
- Voorkom het veroorzaken van schade aan de stroomkabel indien u de koelkast verplaatst. Het knikken van de kabel kan brand veroorzaken. Plaats nooit zware voorwerpen op de stroomkabel. Raak de stekker niet aan met natte handen wanneer deze in het stopcontact wordt geplaatst.



- Sluit de koelkast niet aan als het wandcontactdoos los zit.

- Er mag geen water rechtstreeks op de binnen- of buitendelen van het toestel gespreid worden omwille van veiligheidsredenen.
- Spray geen substanties die onvlambaar gas bevatten, zoals propaangas, in de buurt van de koelkast om brand en ontploffingsgevaar te voorkomen.
- Plaats nooit bakjes met water bovenop de koelkast, want deze kunnen elektrische schokken of brand veroorzaken.
- Overvul uw koelkast niet met overmatige hoeveelheden voedsel. In geval van overbelasting kunnen bij opening van de deur de voedselwaren naar beneden vallen en u bezeren en de koelkast beschadigen. Plaats nooit voorwerpen bovenop de koelkast; deze voorwerpen kunnen bij opening of sluiting van de koelkastdeur naar beneden vallen.
- Omdat vaccins, hittegevoelige medicatie, wetenschappelijke materialen, enz. een nauwkeurige temperatuur vereisen dienen deze niet in koelkast bewaard te worden.
- Als de koelkast voor een langere tijd niet wordt gebruikt dient de stekker uit het stopcontact te worden getrokken. Een mogelijk probleem in de stroomkabel kan brand veroorzaken.
- Het stekkeruiteinde dient regelmatig schoongemaakt te worden, want kan anders brand veroorzaken.
- Het stekkeruiteinde moet regelmatig worden schoongemaakt met een droog doek, anders bestaat er brandgevaar.
- De koelkast kan bewegen indien de stelpoten niet juist op de vloer zijn bevestigd. Het juist bevestigen van de stelpoten op de vloer kan voorkomen dat de koelkast beweegt.
- Als u de koelkast optilt dient u dit niet te doen aan de hendel. Anders kan deze breken.
- Indien u uw product naast een andere koelkast of vriezer moet plaatsen, dient de afstand tussen de apparaten minstens 8 cm bedragen. Anders kunnen de aangrenzende zijwanden vochtig worden.

Voor producten met een waterdispenser;

De waterleidingdruk dient minstens 1 bar te bedragen. De waterleidingdruk mag maximaal 8 bar te bedragen.

- Gebruik alleen drinkwater.

Kinderbeveiliging

- Indien de deur een slot heeft, moet de sleutel buiten het bereik van kinderen worden gehouden.
- Kinderen dienen onder toezicht te staan om te voorkomen dat ze aan het product komen.

HCA-Waarschuwing

Indien het koelsysteem van uw product R600a bevat:

Dit gas is ontvlambaar. Zorg daarom tijdens gebruik en transport dat het koelsysteem en de leidingen niet beschadigd raken. In het geval van beschadiging, uw product buiten bereiken van potentiële vuurbronnen houden. Deze kunnen maken dat het product vlam vat. De ruimte waarin het toestel is geplaatst ventileren.

U kunt deze waarschuwing negeren als het koelsysteem van uw product R134a bevat.

Het gastype dat het product gebruikt is aangegeven op het typeplaatje dat zich op de linkerbinnenwand in de koelkast bevindt.

Steek het product om u zich ervan te ontdoen nooit in de brand.

Aanwijzingen ter besparing van energie

- Houd de deuren van uw koelkast niet lang open.
- Plaats geen warme voedingsmiddelen of dranken in de koelkast.
- Overlaad de koelkast niet zodat luchtcirculatie aan de binnenzijde niet geblokkeerd wordt.
- Plaats de koelkast niet in direct zonlicht of naast warmteafgevend apparaten zoals een oven, vaatwasser of radiator.
- Bewaar uw voedingsmiddelen in gesloten bakjes.
- Voor producten met een diepvriesvak; U kunt de maximum hoeveelheid voedselwaren in de diepvriezer bewaren als u het schap of de diepvrieslade verwijdert. De vastgestelde energieverbruikswaarde voor uw koelkast is bepaald bij verwijderd diepvriesschap of -lade en bij maximale lading. Er bestaat geen risico bij het gebruik van een schap of lade volgens de vorm en grootte van de in te vriezen voedingsmiddelen.
- Het ontdooien van ingevroren voedsel in het koelkastgedeelte voorziet in energiebesparing en behoud van de voedselkwaliteit.

3 Installatie

⚠ De fabrikant kan niet aansprakelijk worden gesteld indien de informatie van deze gebruiksaanwijzing niet in acht wordt genomen.

Aandachtspunten bij het opnieuw transporteren van uw koelkast

1. Voor transport dient de koelkast leeg en schoon te zijn.
2. In verband met schokken moeten de schappen, accessoires, groentelade enz. in uw koelkast met plakband vastgezet worden voordat de koelkast opnieuw wordt verpakt.
3. Verpakking moet worden vastgebonden met dikke tape en sterke touwen en de transportregels, gedrukt op de verpakking, moeten opgevolgd worden.

Gelieve niet te vergeten...

Ieder gerecycled materiaal is een essentiële bron voor de natuur en onze nationale bronnen.

Indien u een bijdrage wilt leveren aan recycling van verpakkingsmateriaal, kunt u meer informatie krijgen bij de milieu-instanties of plaatselijke autoriteiten.

Alvorens de inwerkstelling van uw koelkast

Alvorens u uw koelkast gaat gebruiken, controleer of:

1. De binnenzijde van de koelkast schoon is en de luchtcirculatie aan de achterzijde vrij kan plaatsvinden?
2. Gelieve de twee plastic wiggen te installeren zoals weergegeven in de afbeelding. Plastic wiggen zullen de vereiste afstand geven tussen uw koelkast en de muur om luchtcirculatie mogelijk te maken.

(De geïllustreerde afbeelding is enkel een voorbeeld en komt niet volledig overeen met uw product.)

3. Maak de binnenkant van de koelkast proper, zoals aanbevolen in het hoofdstuk "Onderhoud en reiniging".
4. Steek de stekker van de koelkast in het stopcontact. Wanneer de deur wordt geopend, zal het binnenlichtje aangaan.
5. U zult een geluid horen wanneer de compressor opstart. De vloeistof en de gassen die zich in het koelsysteem bevinden, zouden ook wat lawaai kunnen veroorzaken zelfs wanneer de compressor niet werkt. Dit is normaal.
6. De buitenkant van de koelkast kan warm aanvoelen. Dit is normaal. Deze oppervlakken zijn bedoeld om warm te worden om condensvorming te voorkomen.

Elektrische aansluiting

Sluit uw product aan in een geaard stopcontact, beschermd door een zekering, met de juiste capaciteit.

Belangrijk:

- De aansluiting moet in naleving zijn met nationale voorschriften.
- De stekker van de stroomkabel moet na installatie eenvoudig bereikbaar zijn.
- De gespecificeerde spanning moet gelijk zijn aan uw netspanning.
- Verlengkabels en meerwegstekkers mogen voor aansluiting niet worden gebruikt.

⚠ Een beschadigd netsnoer moet door een erkende elektricien worden vervangen.

⚠ Het product mag niet in werking worden gesteld voordat het is hersteld! Gevaar op een elektrische schok!

Afvoeren van de verpakking

De verpakkingsmaterialen kunnen gevaarlijk zijn voor kinderen. Houd het verpakkingsmateriaal buiten bereik van kinderen of voer deze af conform afvalinstructies. Gooi het materiaal niet weg bij het normale huishoudelijk afval.

De verpakking van uw koelkast is vervaardigd uit herbruikbare materialen.

Afvoeren van uw oude koelkast

Ontdoe u van uw oude koelkast zonder het milieu op enige wijze te schaden.

- U kunt uw bevoegde dealer of het afvalcentrum van uw gemeente raadplegen over het afvoeren van uw koelkast.

Voordat u uw koelkast afvoert, snijd de elektrische stekker af. Indien het apparaat is uitgevoerd met deursluitingen, dit slot dan onbruikbaar maken om kinderen tegen gevaar te beschermen.

Plaatsing en installatie

⚠ Wanneer de toegangsdeur van de kamer waar de koelkast geplaatst moet worden niet breed genoeg is om de koelkast door te voeren, bel dan de bevoegde onderhoudsdienst om de deuren van uw koelkast te verwijderen en de koelkast overdwars door de deur te dragen.

1. Installeer uw koelkast op een eenvoudig bedienbare plaats.
2. Houd uw koelkast weg van hittebronnen, vochtige ruimten en direct zonlicht.
3. Voor een efficiënte werking moet er voldoende luchtventilatie rondom uw koelkast aanwezig zijn. Indien de koelkast in een nis in de muur wordt geplaatst, moet er een afstand van minstens 5 cm zijn tot het plafond en minstens 5 cm tot de muur. **Wanneer de vloer met tapijt bedekt is, moet uw product 2,5 cm van de vloer worden geplaatst.**
4. Plaats uw koelkast waterpas op een vlak grondoppervlak om wiebelen te voorkomen.
5. Plaats uw koelkast niet in omgevingstemperaturen onder 10°C.

Het binnenlichtje vervangen

Als het lampje niet werkt, doet u het volgende.

1- De spanning op de wandcontactdoos uitschakelen en de stekker eruit halen

Mogelijk vindt u het nuttig om schappen te verwijderen voor een gemakkelijker toegang.

2 – Gebruik een platte schroevendraaier om het deksel van de lichtverspreider te verwijderen.

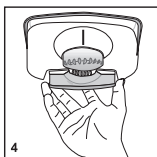
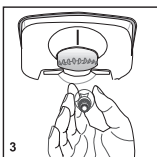
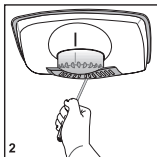
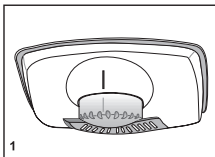
3- Controleer eerst of het lampje wel vast geschroefd is. Steek de stekker terug in en schakel aan.

Als het lampje werkt, plaats het deksel terug door eerst het achterste lipje in te steken en omhoog te duwen om de voorste twee lipjes te kunnen plaatsen.

4 - Wanneer het lampje niet brandt, schakelt u de wandcontactdoos uit en trekt u de stekker eruit. Vervang het lampje door een nieuw (SES) lampje van max 15 watt.

5 - Het kapotte gloeilampje onmiddellijk en voorzichtig weggooien.

Een vervanglampje kan gemakkelijk worden verkregen in een goed plaatselijke elektriciteits- of doe-het-zelf-winkel.



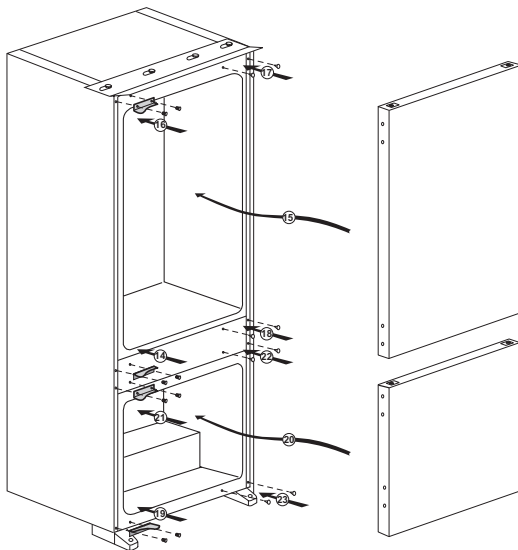
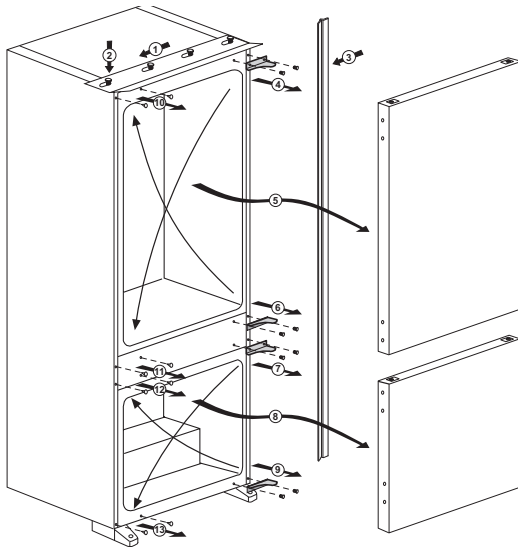
i Dit toestel is ontworpen om te werken in temperaturen zoals aangegeven in onderstaande tabel en is uitgerust met het Advanced Electronic Temperature Controlesysteem [AETCS] dat ervoor zorgt dat op de geadviseerde instelling [4 - vier op de knop] het diepvriesvoedsel in de diepvriezer niet zal ontdooien zelfs indien de omgevingstemperatuur daalt tot -15 °C. Wanneer het product voor de eerste maal geïnstalleerd wordt, MAG HET NIET geplaatst worden in lage omgevingstemperaturen omdat de diepvriezer niet zal dalen tot zijn standaard werkingstemperatuur.

Wanneer het toestel zijn vaste bedrijfstoestand bereikt heeft, kan het verplaatst worden. U kunt het toestel dan in een garage of in een onverwarmde kamer plaatsen zonder dat u bezorgd hoeft te zijn over diepvriesvoedsel dat in de diepvriezer kan bederven. Bij de hoger vermelde lage omgevingstemperaturen, kan de inhoud van de koelkast bevriezen. Controleer en verbruik voedsel in de koelkast dus dienovereenkomstig. Wanneer de omgevingstemperatuur terug normaliseert, kunt u de knop instellen naar behoefte.

i Indien de omgevingstemperatuur minder dan 0°C bedraagt, zal het voedsel in het koelkastgedeelte bevriezen. We bevelen aan dat u het koelkastgedeelte in zulke lage temperaturen niet gebruikt. U kunt wel het diepvriesvak in deze omstandigheden verder blijven gebruiken.

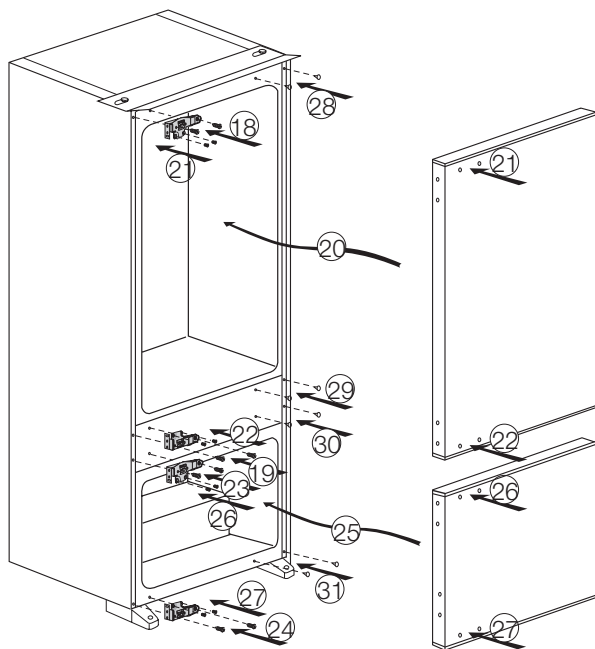
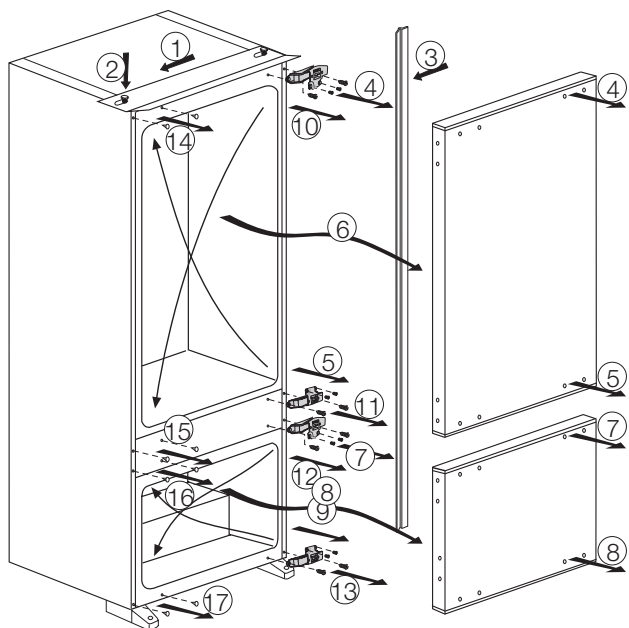
De deuren omkeren

Ga verder in numerieke volgorde



De deuren omkeren

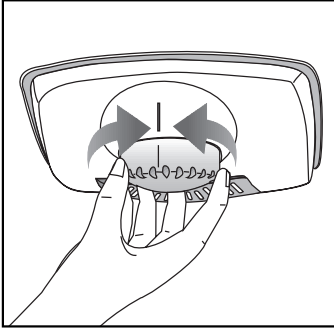
Ga verder in numerieke volgorde



4 Voorbereiding

- Uw koelkast moet worden geïnstalleerd op minstens 30 cm afstand van warmtebronnen zoals kookplaten, centrale verwarming en kachels en op minstens 5 cm afstand van elektrische ovens. De koelkast mag niet in direct zonlicht worden geplaatst.
- De omgevingstemperatuur van de kamer waarin u de koelkast installeert dient minstens 10°C te zijn. In verband met efficiëntie wordt gebruik van uw koelkast in koudere omstandigheden niet aanbevolen.
- Controleer of de binnenzijde van uw koelkast volledig schoon is.
- Bij installatie van twee koelkasten naast elkaar, moeten de koelkasten op een afstand van minstens 2 cm van elkaar worden geplaatst.
- Wanneer u de koelkast voor de eerste keer in gebruik neemt, gelieve tijdens de eerste zes uur de volgende instructies in acht te houden.
 - De deur niet regelmatig openen.
 - Koelkast moet in bedrijf gesteld worden zonder levensmiddelen.
 - De stekker van de koelkast niet uittrekken. Indien zich een stroomstoring voordoet buiten uw macht, zie de waarschuwingen in het deel “Aanbevolen oplossingen voor problemen”.
- Originele verpakking en schuimmaterialen moeten worden bewaard voor toekomstig transport of verhuizen.

5 Gebruik van uw koelkast



Knop om thermostaat in te stellen

De binnentemperatuur van uw koelkast verandert om de volgende redenen;

- Seizoentemperaturen,
- Frequent openen van de deur of de deur lang open laten staan,
- Etenswaar dat in de koelkast wordt geplaatst zonder dat deze tot kamertemperatuur is zijn afgekoeld.
- De plaats van de koelkast in de kamer (bijv. blootgesteld aan zonlicht)
- Met de thermostaat kunt u een als gevolg van deze redenen variërende binnentemperatuur aanpassen. De cijfers rond de thermostaatknop geven de mate van koeling aan.
- Wanneer de omgevingstemperatuur hoger is dan 32 °C, draait u de thermostaatknop in de maximumpositie.
- Wanneer de omgevingstemperatuur lager is dan 25 °C, draait u de thermostaatknop naar de minimum positie.

Ontdooien

Koelgedeelte

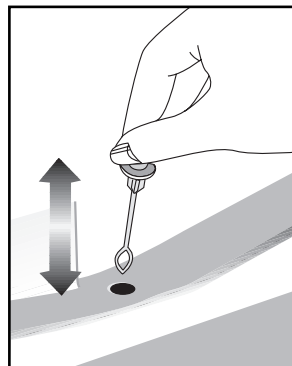
Het koelkastgedeelte voert een volledige automatische ontdooiing uit. Waterdruppels en een ijslaag van tot 7-8 mm kunnen zich voordoen op de binnenste achterwand van het koelkastgedeelte terwijl uw koelkast aan het koelen is. Zulke ijsvorming is normaal als een resultaat van het koelsysteem. De ijsvorming wordt ontdooid via een automatische ontdooiing met bepaalde tussentijden dankzij het automatische ontdooisysteem van de achterwand. De gebruiker moet de ijsvorming niet wegschrappen of de waterdruppels niet verwijderen.

Dooiwater loopt door de wateropvanggroef en stroomt via de afvoerpijp in de verdampers alwaar het vanzelf verdampt.

Controleer regelmatig om te zien of de afvoerleiding niet verstopt is en ontstop met behulp van een stokje in de opening indien nodig.

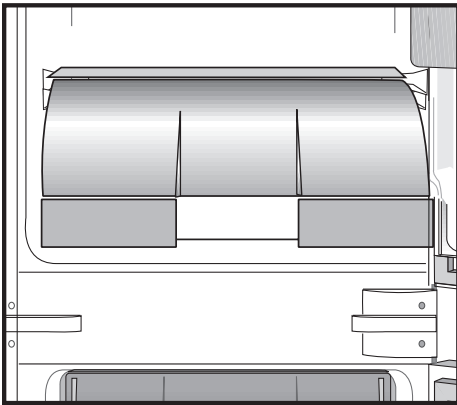
Het diepvriesgedeelte voert geen automatische ontdooiing uit om het rotten van voedsel te voorkomen.

Het diepvriesgedeelte ontdooit automatisch.



Nul-graden-vak

Dit vak werd ontworpen om bevroren voedsel te bewaren dat traag ontdooid moet worden (vlees, vis, kip; enz.). Het nul-graden-vak is de koudste plaats van uw koelkast waar zuivelproducten (kaas, boter), vlees, vis of kip op ideale opslagcondities bewaard kunnen worden. Groenten en/of fruit mogen niet in dit vak geplaatst worden.



6 Onderhoud en reiniging

- ⚠ Gebruik nooit benzine, benzene of gelijksoortige substanties voor het reinigingswerk.
- ⚠ Wij bevelen aan dat u de stekker uit het toestel trekt voordat u met reinigen begint.
 - Gebruik nooit scherpe voorwerpen, zeep, huishoudproducten, afwasmiddel of boenwas om te poetsen.
 - Gebruik lauwwarm water om de kast van uw koelkast schoon te maken en wrijf deze droog.
 - Gebruik een vochtige doek, uitgewrongen in een oplossing van één koffielepel natriumbicarbonaat voor 50 cl water, om de binnenkant schoon te maken en wrijf vervolgens droog.
 - Zorg ervoor dat er geen water in de lamp en andere elektrische onderdelen binnensijpelt.
 - Als uw koelkast voor een lange periode niet zal worden gebruikt, trek dan de stroomkabel uit, verwijder alle etenswaren, maak de koelkast schoon en laat de deur op een kier staan.
 - Kijk de deurgrendels regelmatig na om u ervan te overtuigen dat ze schoon en vrij van etensresten zijn.
 - Om deurroosters te verwijderen, verwijder de inhoud en druk het deurrooster vervolgens eenvoudigweg naar boven vanaf de basis.

Bescherming van de kunststof oppervlakken

- Plaats geen vloeibare olie of in olie bereide maaltijden in uw koelkast in onafgedichte bakjes. Deze kunnen de kunststof oppervlakken van uw koelkast beschadigen. Mocht u olie morsen op de kunststof oppervlakken, reinig dit deel van het oppervlak dan direct met warm water en spoel af.

7 Aanbevolen oplossingen voor problemen

Controleer de volgende punten voordat u de onderhoudsdienst belt. Dit kan u tijd en geld besparen. Deze lijst omvat regelmatige klachten die niet voortkomen uit defect vakmanschap of materiaalgebruik. Het is mogelijk dat bepaalde functies die hier beschreven zijn niet tot uw product behoren.

De koelkast werkt niet
Zit de stekker van de koelkast goed in de wandcontactdoos? Steek de stekker in het stopcontact. Is de zekering van de contactdoos waaraan de koelkast is aangesloten of de hoofdzekering gesprongen? Controleer de zekering.
Condensvorming langs de wand van het koelkastgedeelte.
Zeer koude omgevingsomstandigheden. Regelmatig openen en sluiten van de deur. Zeer vochtige omgevingsomstandigheden. Bewaren van levensmiddelen met vloeistof in open bakjes. De deur staat op een kier. Zet de thermostaat kouder. Zorg dat de deur minder lang open staat of dat deze minder vaak wordt geopend. Dek de eetwaar die in open bakjes wordt bewaard af met een daarvoor geschikt materiaal. Veeg condens af met een droge doek en controleer of condensvorming aanhoudt.
De compressor draait niet
Thermische bescherming van de compressor kan springen gedurende plotselinge stroomuitval of afsluiting van de stroomtoevoer wanneer de druk van het koelmiddel in het koelsysteem van de koelkast niet in balans is. De koelkast gaat na ongeveer 6 minuten draaien. Neem contact op met de onderhoudsdienst wanneer de koelkast na deze periode niet start. De koelkast zit in een ontdooicyclus. Dit is normaal voor volledig automatisch ontdooiende koelkast. Ontdooicyclus vindt periodiek plaats. De stekker van uw koelkast steekt niet in het stopcontact. Controleer of de stekker stevig in het stopcontact is gestoken. Zijn de temperatuurinstellingen goed ingesteld? Er is een stroomstoring. Bel uw elektriciteitsleverancier.
De koelkast werkt frequent of gedurende lange tijd.

Uw nieuwe koelkast kan breder zijn dan de vorige. Dit is normaal. Grote koelkasten werken gedurende langere tijd.
De omgevingstemperatuur kan hoog zijn. Dit is normaal.
De stekker van de koelkast kan onlangs ingestoken zijn of de koelkast kan zijn volgeladen met etenswaren. Het compleet afkoelen van de koelkast kan enkele uren langer in beslag nemen.
Grote hoeveelheden warm levensmiddelen kunnen recentelijk in de koelkast zijn geplaatst. Warme levensmiddelen maken dat de koelkast langer werkt tot deze eetwaar de veilige bewaartemperatuur heeft bereikt.
Deuren kunnen regelmatig geopend zijn of gedurende enige tijd op een kier hebben gestaan. De warme lucht die in de koelkast is binnengekomen maakt dat de koelkast langer werkt. Open de deuren minder vaak.
De deur van het diepvries- of koelgedeelte kan op een kier hebben gestaan. Controleer of de deuren goed gesloten zijn.

De koelkast werkt frequent of gedurende lange tijd.

De koelkast is zeer koud ingesteld. Stel de koelkasttemperatuur hoger en wacht tot de temperatuur wordt bereikt.

Deurafdichting van de koelkast of diepvriezer kan vuil, versleten, gebroken of niet goed geplaatst zijn. Maak de afdichting schoon of vervang deze. Een beschadigde/gebroken afdichting maakt dat de koelkast langer moet werken om de huidige temperatuur te handhaven.

Diepvriestemperatuur is erg laag terwijl de koelkasttemperatuur voldoende is.

De diepvriestemperatuur is zeer koud ingesteld. Stel de diepvriezertemperatuur hoger in en controleer.

Koelkasttemperatuur is erg laag terwijl de diepvries temperatuur voldoende is.

De koelkasttemperatuur is zeer koud ingesteld. Stel de koelkasttemperatuur hoger in en controleer.

Etenswaren die in laden van koelgedeelte worden bewaard, bevriezen.

De koelkasttemperatuur is zeer koud ingesteld. Stel de koelkasttemperatuur hoger in en controleer.

Temperatuur in de koelkast of diepvriezer is zeer hoog.

De koelkasttemperatuur is zeer hoog ingesteld. Koelkastinstelling is van invloed op de temperatuur van de diepvriezer. Verander de temperatuur van de koelkast of diepvriezer totdat de temperatuur van de koelkast of diepvriezer het gewenste niveau bereikt.

Deuren kunnen regelmatig geopend zijn of gedurende enige tijd op een kier hebben gestaan. Wanneer de deuren geopend worden komt er warme lucht in de koelkast of diepvriezer. Open de deuren minder vaak.

De deur kan op een kier hebben gestaan. Sluit de deur volledig.

Grote hoeveelheden warm levensmiddelen kunnen recentelijk in de koelkast zijn geplaatst. Wacht tot de koelkast of diepvriezer de gewenste temperatuur heeft bereikt.

De koelkast kan recentelijk ingeschakeld zijn. Als gevolg van de afmeting, neemt het volledig afkoelen van de koelkast enige tijd in beslag.

Het werkingsgeluid neemt toe wanneer de koelkast werkt.

De werkingskenmerken van de koelkast kunnen veranderen als gevolg van wijzigingen in de omgevingstemperatuur. Dit is normaal en geen defect.

Vibratie of geluid.

De vloer is niet gelijk of is zwak. De koelkast kantelt een beetje wanneer langzaam wordt bewogen. Zorg dat de vloer gelijk en stevig is en de koelkast kan dragen.

Het geluid kan worden veroorzaakt door voorwerpen die op de koelkast zijn geplaatst. Dergelijke voorwerpen moeten vanaf de bovenkant van de koelkast verwijderd worden.

Een geluid van morsende of sprayende vloeistof.

Vloeistof- en gasstromen vinden plaats conform de werkingsprincipes van uw koelkast. Dit is normaal en geen defect.

Een geluid van wind die blaast.

Er worden luchtactivators (ventilatoren) gebruikt om de koelkast efficiënt af te koelen.

Dit is normaal en geen defect.

Condens op de binnenwanden van de koelkast.

Met warm en vochtig weer neemt ijs- en condensvorming toe. Dit is normaal en geen defect.

De deuren staan op een kier. Controleer of de deuren volledig gesloten zijn.

Deuren kunnen regelmatig geopend zijn of gedurende enige tijd open hebben gestaan. Open de deur minder vaak.

Vocht aan de buitenkant van de koelkast of tussen de deuren.

Het weer kan vochtig zijn. Dit is normaal bij vochtig weer. Wanneer de vochtigheid minder wordt, zal de condens verdwijnen.

Slechte geur binnenin de koelkast.

De binnenkant van de koelkast moet gereinigd worden. Maak de binnenkant van de koelkast schoon met een spons met warm of sodawater.

Sommige bakjes of verpakkingsmaterialen kunnen de geur veroorzaken. Gebruik een ander bakje of ander soort verpakkingsmateriaal.

De deur(en) blijft (blijven) niet gesloten.

Het kan zijn dan voedselpakketjes maken dat de deur niet sluit. Verplaats de pakketjes die de deur belemmeren.

De koelkast staat niet volledig waterpas op de vloer en wiebelt wanneer deze bewogen wordt. Stel de hoogteschroeven anders in.

De vloer is niet gelijk of stevig. Zorg dat de vloer vlak is en de koelkast kan dragen.

Groenteladen zitten vast.

De levensmiddelen kunnen de bovenzijde van de lade raken. Herschik de levensmiddelen in de lade.

Het kan zijn dan voedselpakketjes maken dat de deur niet sluit. Verplaats de pakketjes die de deur belemmeren.

De koelkast staat niet volledig waterpas op de vloer en wiebelt wanneer deze bewogen wordt. Stel de hoogteschroeven anders in.

De vloer is niet gelijk of stevig. Zorg dat de vloer vlak is en de koelkast kan dragen.

Groenteladen zitten vast.

De levensmiddelen kunnen de bovenzijde van de lade raken. Herschik de levensmiddelen in de lade.

Lue tämä käyttöopas ensin!

Hyvä asiakas,

toivomme, että nykyaikaisissa tuotantolaitoksissa valmistamamme ja erittäin huolellisella laadunvalvonnalla tarkastettu tuote toimii käytössäsi mahdollisimman tehokkaasti.

Tämän varmistamiseksi toivomme, että luet huolellisesti koko käyttöoppaan ennen jääkaapin käyttöön ottoa, ja säilytät sitä helposti saatavilla tulevaa käyttöä varten.




Tämä käyttöopas

- Auttaa käyttämään jääkaappia nopeasti ja turvallisesti.
- Lue käyttöopas ennen jääkaapin asennusta ja käyttöä.
- Noudat ohjeita, erityisesti niitä, jotka koskevat turvallisuutta.
- Säilytä käyttöopasta helposti saatavilla olevassa paikassa, sillä voit tarvita sitä myöhemmin.
- Lue myös muut tuotteen mukana tulleet asiakirjat.

Huomaa, että tämä käyttöopas voi soveltua myös muihin malleihin.

Symbolit ja niiden kuvaus

Tässä käyttöoppaassa käytetään seuraavia symboleja:

-  Tärkeitä tietoja tai hyödyllisiä käyttövihjeitä.
-  Varoitus hengelle ja omaisuudelle vaarallisista olosuhteista.
-  Varoitus sähköjännitteestä.



Tässä tuotteessa on sähköisten ja elektronisten laitteiden jätteen (WEEE) valikoivan lajittelun symbolimerkintä.

Tämä tarkoittaa, että tätä tuotetta pitää käsitellä Euroopan parlamentin ja neuvoston direktiivin 2002/96/EY:n mukaisesti, jotta sitä voidaan kierrättää ja purkaa minimoiden ympäristövaikutukset. Saat lisätietoja paikallisilta tai alueellisilta viranomaisilta.

Elektroniset laitteet, jotka eivät ole mukana valikoivassa lajittelussa ovat potentiaalisesti vaarallisia ympäristölle ja ihmisen terveydelle, koska ne sisältävät vaarallisia aineita.

SISÄLTÖ

1 Jääkaappi 3

2 Tärkeitä turvallisuusvaroituksia 4

Käyttötarkoitus	4
Laitteet, joissa on vesiautomaatti	6
Lasten turvallisuus	6
HCA-varoitus	6
Energian säästötoimet	6

3 Asennus 7

Jääkaapin kuljetuksessa huomioitavat asiat	7
Ennen jääkaapin käyttöä	7
Sähköliitännät	7
Pakkauksen hävittäminen	7
Vanhan jääkaapin hävittäminen	8
Sijoittaminen ja asennus	8
Sisälampun vaihtaminen	9
Ovien uudelleen sijoitus	10
Ovien uudelleen sijoitus	11

4 Valmistelu 12

5 Jääkaapin käyttö 13

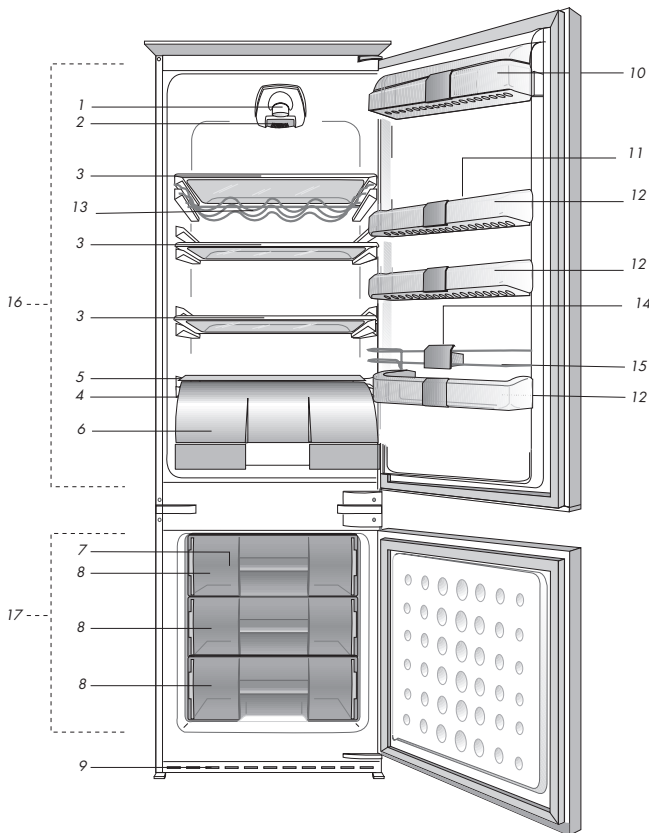
Nollalämpötilalokero	14
----------------------------	----

6 Ylläpito ja puhdistus 15

Muoviosien suojele	15
--------------------------	----

7 Suositellut ongelmanratkaisut 16

1 Jääkaappi



- | | |
|---|------------------------------|
| 1. Sisävalo | 9. Ilmasäleikkö |
| 2. Termostaattivalitsin | 10. Meijerituotteiden osasto |
| 3. Säädettävät hyllyt | 11. Kanamunalokero |
| 4. Sulatusveden keräyskanava -
kuivatusputki | 12. Säädettävät ovihyllyt |
| 5. Vihanneslokeroon kansi | 13. Pullohylly |
| 6. 0 °C osasto | 14. Pullonpidin |
| 7. Jääkotelo | 15. Pullotelineen suojatanko |
| 8. Pakastelokero | 16. Jääkaappiosasto |
| | 17. Pakastelokero |

i Tämän ohjekirjan kuvitus on kaavakuviin perustuvaa eikä se ehkä vastaa täysin todellista tuotetta. Jos jokin osa puuttuu ostamastasi tuotteesta, kuvaus koskee muita malleja.

2 Tärkeitä turvallisuusvaroituksia

Tutustu seuraaviin ohjeisiin. Näiden ohjeiden noudattamatta jättäminen saattaa aiheuttaa loukkaantumisen tai aineellisia vahinkoja. Muuten kaikki takuu- ja käyttövarmuusvastuut mitätöityvät.

Ostamasi laitteen käyttöikä on 10 vuotta. Tämä on myös aika, jonka kuluessa laitteen toimintaan kuvatulla tavalla tarvittavia varaosia on saatavana.

Käyttötarkoitus

Tämä tuote on suunniteltu

- sisätiloihin ja suljettuihin tiloihin kuten koteihin,
 - suljettuihin työskentely-ympäristöihin, kuten myymälöihin ja toimistoihin,
 - suljettuihin majoitustiloihin kuten maataloille, hotelleihin ja pensionaatteihin.
- Tuotetta ei saa käyttää ulkona.

Yleinen turvallisuus

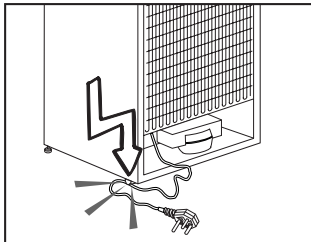
- Kun haluat hävittää/romuttaa laitteen, suosittelemme ottamaan yhteyttä valtuutettuun huoltoon vaadittavien tietojen ja valtuutettujen tahojen selville saamiseksi.
- Ota yhteys valtuutettuun huoltoon kaikissa jääkaappiin liittyvissä kysymyksissä ja ongelmassa. Älä puutu tai anna kenenkään muun puuttua jääkaapin huoltoon ilmoittamatta valtuutettuun huoltoon.
- Tuotteet joissa on pakastusosasto: Älä laita jäätelöä tai jääkuutioita suuhusi heti otettuasi ne pakastinosastosta! (Se voi aiheuttaa suuhun paleltuman.)
- Tuotteet joissa on pakastusosasto: Älä laita pulloitettuja tai tölkitettyjä nesteitä pakastinosastoon. Ne voivat pakastettaessa särkyä.

- Älä kosketa käsin pakastettua ruokaa, se voi tarttua käteesi.
- Irrota jääkaappi verkkovirrasta ennen puhdistamista tai sulattamista.
- Höyryä ja höyrystyviä puhdistusaineita ei saa koskaan käyttää jääkaapin puhdistuksessa ja sulatuksessa. Höyry voi tässä tapauksessa päästä kosketuksiin sähköosien kanssa ja aiheuttaa oikosulun tai sähköiskun.
- Älä koskaan käytä jääkaapin osia, kuten ovea, tukena tai askelmana.
- Älä käytä sähkölaitteita jääkaapin sisällä.
- Älä vahingoita poraamalla tai leikkaamalla osia, joissa jäähdytysaine kiertää. Jäähdytysainetta voi suihkuta ulos, kun haihduttimen kaasukanava, johdon jatke tai pinnoite puhkaistaan, ja se voi aiheuttaa ihon ärsytystä ja silmävahinkoja.
- Älä peitä tai tuki millään materiaalilla jääkaapin tuuletusaukkoja.
- Vain valtuutetut henkilöt saavat korjata sähkölaitteita. Epäpätevän henkilön tekemät korjaukset voivat aiheuttaa vaaran käyttäjälle.
- Vian ilmetessä tai jääkaappia huollettaessa tai korjattaessa sammuta virta joko kääntämällä sulake pois päältä tai irrottamalla virtajohto.
- Älä vedä johdosta irrottaessasi pistokkeen.
- Säilytä väkevät alkoholijuomat tiukasti suljettuna pystyasennossa.
- Älä säilytä jääkaapissa suihkepulloja, jotka sisältävät syttyviä ja räjähtäviä aineita.
- Älä käytä sulatusprosessin nopeuttamiseen mekaanisia tai muita keinoja, joita valmistaja ei suosittele.
- Tätä laitetta ei ole tarkoitettu sellaisten

henkilöiden (lapset mukaan lukien) käytettäväksi, joilla on heikentyneet fyysiset, aistimelliset tai henkiset kyvyt tai joilta puuttuu kokemusta ja tietoa, jollei heidän turvallisuudestaan vastaava henkilö valvo heitä ja opasta heitä laitteen käytössä.

- Älä käytä rikkoutunutta jääkaappia. Jos epäilet vikaa, ota yhteys huoltoedustajaan.
- Jääkaapin sähköturvallisuus taataan vain, jos kodin maadoitusjärjestelmä on standardien mukainen.
- Laitteen altistaminen sateelle, lumelle, auringolle ja tuulelle on vaarallista sähköturvallisuuden kannalta.
- Ota yhteys valtuutettuun huoltoon, jos sähköjohto on vahingoittunut, jotta vältetään vaarat.
- Älä koskaan liitä jääkaappia pistorasiaan asennuksen aikana. Se voi aiheuttaa vaaran, joka voi johtaa kuolemaan tai vakavaan vammaan.
- Tämä jääkaappi on tarkoitettu pelkästään elintarvikkeiden säilytykseen. Sitä ei saa käyttää mihinkään muihin tarkoituksiin.
- Tekniset tiedot sisältävä tyyppikilpi sijaitsee jääkaapin sisällä vasemmalla seinällä.
- Älä liitä jääkaappia sähkönsäätöjärjestelmiin. Ne voivat vahingoittaa jääkaappia.
- Jos jääkaapissa palaa sininen valo, älä katso sitä optisilla laitteilla.
- Odota käsinohjattavalla jääkaapilla vähintään 5 minuuttia ennen jääkaapin käynnistämistä virtakatkon jälkeen.
- Tämä käyttöopas tulee luovuttaa uudelle omistajalle tuotteen mukana, jos tuote vaihtaa omistajaa.
- Vältä vahingoittamasta virtajohtoa,

kun siirrät jääkaappia. Johdon taivuttaminen saattaa aiheuttaa tulipalon. Älä sijoita painavia esineitä sähköjohdon päälle. Älä kosketa pistoketta märin käsin, kun liität tuotteen.



- Älä kytke jääkaappia pistorasiaan, jos sähköliitäntä on löysä.
- Vettä ei saa turvallisuuden vuoksi koskaan suihkuttaa suoraan tuotteen sisä- tai ulko-osiin.
- Älä suihkuta lähellä jääkaappia syttyviä aineita, kuten propanikaasua, sillä se aiheuttaa tulipalo- ja räjähdysvaaran.
- Älä aseta vettä sisältäviä astioita jääkaapin päälle, sillä sellainen voi aiheuttaa sähköiskun tai tulipalon.
- Älä täytä jääkaappia liian suurella elintarvikemäärällä. Jos jääkaappi on ylikuormitettu, se saattaa kaatua ja vahingoittaa sinua, ja rikkoo jääkaapin ovea avattaessa. Älä aseta esineitä jääkaapin päälle, sillä ne saattavat pudota jääkaapin ovea avatessa tai sulkiessa.
- Sellaisia tuotteita, jotka vaativat tarkan lämpötilan säädön (esim. rokotteet, lämpöherkät lääkkeet, tieteellinen materiaali jne.), ei tule säilyttää jääkaapissa.
- Jos jääkaappia ei käytetä pidempään aikaan, se on irrotettava verkkovirrasta. Mahdollinen ongelma sähköjohdossa saattaa aiheuttaa tulipalon.

- Sähköpistokkeen kärki on puhdistettava säännöllisesti. Se voi muuten aiheuttaa tulipalon.
- Sähköpistokkeen kärki on puhdistettava säännöllisesti kuivalla liinalla. Se voi muuten aiheuttaa tulipalon.
- Jääkaappi saattaa siirtyä, jos säädettäviä jalkoja ei ole kiinnitetty oikein lattiaan. Säädettävien jalkojen kiinnittäminen lattiaan oikein voi estää jääkaappia siirtymästä.
- Kun annat jääkaappia, älä pidä kiinni oven kahvasta. Se saattaa silloin särkyä.
- Kun laite täytyy sijoittaa toisen jääkaapin tai pakastimen viereen, laitteiden välisen etäisyyden tulee olla vähintään 8 cm. Muuten vastakkaiset seinät saattavat härmistyä.

Laitteet, joissa on vesiautomaatti

Vesijohdon paineen tulee olla vähintään 1 bar. Vesijohdon paineen tulee olla enintään 8 bar.

- Käytä vain juomavettä.

Lasten turvallisuus

- Jos ovesa on lukko, avain tulee pitää lasten ulottumattomissa.
- Lapsia tulee valvoa, jotta he eivät pääse leikkimään laitteella.

HCA-varoitus

Jos laite on varustettu jäähdytysjärjestelmällä, joka sisältää R600a-kylmäainetta:

Tämä kaasu on syttyvää. Varo siksi vahingoittamasta jäähdytysjärjestelmää ja putkistoa käytön ja kuljetuksen

aikana. Pidä laite erossa mahdollisista tulenlähteistä, jotka saattavat sytyttää sen tuleen. Tuuleta huone, johon laite on sijoitettu.

Ohita tämä varoitus, jos laitteen kylmäjärjestelmä sisältää R134a-kylmäainetta.

Laitteessa käytetyn kaasun tyyppi on ilmoitettu jääkaapin sisäpuolella vasemmalla seinällä olevassa tyyppikilvessä.

Älä hävitä laitetta polttamalla.

Energian säästötoimet

- Älä jätä jääkaapin ovea auki pitkäksi aikaa.
- Älä laita lämpimiä ruokia tai juomia jääkaappiin.
- Älä ylikuormita jääkaappia niin, että ilman kierto kaapin sisällä estyy.
- Älä asenna jääkaappia suoraan auringonpaisteeseen tai lähelle lämmönlähteitä, kuten uunit, astianpesukoneet tai lämpöpatterit.
- Pidä huoli, että säilytät elintarvikkeita suljetuissa astioissa.
- Tuotteet joissa on pakastusosasto: voit säilyttää pakastimessa mahdollisimman paljon elintarvikkeita, kun irrotat pakastimen hyllyn tai lokeron. Jääkaapissa ilmoitetut energiankulutusarvot on määritetty maksimitäytöllä irrottamalla jääkaapin hylly tai lokero. Vaaraa ei ole käytettäessä hyllyä tai vetolaatikkoa pakastettavien elintarvikkeiden mukaan.
- Pakastetun ruoan sulattaminen jääkaappiosastossa säästää sekä energiaa että säilyttää ruoan laadun.

3 Asennus

⚠ Muista, että valmistaja ei ole vastuussa, jos käyttöoppaassa annettuja tietoja ei noudateta.

Jääkaapin kuljetuksessa huomioitavat asiat

1. Jääkaappi on aina tyhjennettävä ja puhdistettava ennen kuljetusta.
2. Jääkaapin hyllyt, lisävarusteet, vihanneslokerot jne. on kiinnitettävä paikoilleen lujasti teipillä niiden suojaamiseksi tärinästä ennen uudelleenpakkausta.
3. Pakkaus on sidottava vahvoilla teipeillä ja naruilla ja pakkaukseen painettuja kuljetusohjeita on noudatettava.

Älä unohda...

Kaikki kierrätetyt materiaalit ovat korvaamaton lähde luonnolle ja kansallisille resursseille.

Jos haluat osallistua pakkausmateriaalien kierrätykseen, saat lisätietoja ympäristöosastoilta tai paikallisilta viranomaisilta.

Ennen jääkaapin käyttöä

Tarkista seuraava ennen kuin alat käyttää jääkaappia:

1. Ovatko jääkaapin sisäpinnat kuivia ja kiertääkö ilma vapaasti jääkaapin takana?
2. Asenna 2 muovikiilaa kuten kuvassa on esitetty. Muovikiilat varmistavat vaadittavan etäisyyden jääkaapin ja seinän välillä ilman kierron takaamiseksi. (Kuva on vain esimerkki eikä vastaa tuotetta täsmällisesti.)
3. Puhdista jääkaapin sisäpinnat, kuten on suositeltu osassa "Ylläpito ja puhdistus".

4. Liitä jääkaapin virtajohto pistorasiaan. Kun jääkaapin ovi avataan, jääkaapin sisätilan valo syttyy.
5. Kuulet ääntä, kun kompressori käynnistyy. Jäähdytysjärjestelmään suljetut nesteet ja kaasut voivat myös aiheuttaa jonkin verran ääntä silloinkin, kun kompressori ei ole käynnissä. Se on aivan normaalia.
6. Jääkaapin etureunat voivat tuntua lämpimiltä. Tämä on normaalia. Näiden alueiden on suunniteltu olevan lämpimiä kondensaation estämiseksi.

Sähköliitännät

Liitä jääkaappi maadoitettuun pistorasiaan, joka on suojattu riittävän tehokkaalla sulakkeella.

Tärkeää:

- Liitännän on oltava kansallisten säädösten mukainen.
- Virtakaapelin pistokkeen on oltava helposti saatavilla asennuksen jälkeen.
- Määritetyn jännitteen on oltava sama kuin sähköverkolla.
- Liitäntään ei saa käyttää jatkokaapeleita tai haaroitusrasioita.

⚠ Vahingoittunut virtakaapeli on jätettävä pätevä sähkötekniikon vaihdettavaksi.

⚠ Tuotetta ei saa käyttää ennen kuin se on korjattu! Se aiheuttaa sähköiskun vaaran!

Pakkauksen hävittäminen

Pakkausmateriaali voi olla lapsille vaarallista. Pidä pakkausmateriaali lasten ulottumattomissa tai hävitä se lajittelemalla jätteidenhävitysohjeiden mukaisesti. Älä hävitä pakkausmateriaalia kotitalousjätteen mukana.

Jääkaapin pakkaus on valmistettu kierrätettävistä materiaaleista.

Vanhan jääkaapin hävittäminen

Hävitä vanha jääkaappi aiheuttamatta vahinkoa ympäristölle.

- Voit ottaa yhteyden valtuutettuun jälleenmyyjään tai kunnalliseen jätehuoltokeskukseen saadaksesi ohjeet jääkaapin hävittämisestä.

Ennen kuin hävität jääkaapin, leikkaa virtapistoke irti, ja jos ovesa on lukitus, tee siitä toimintakyvyn, jottei siitä koidu vaaraa lapsille.

Sijoittaminen ja asennus

⚠ Jos oviaukko jääkaapin asennushuoneeseen ei ole tarpeeksi leveä, soita valtuutettuun huoltoon ja pyydä heitä irrottamaan jääkaapin ovet, jolloin se saattaa mahtua ovesta sivuttain.

1. Asenna jääkaappi paikkaan, jossa sitä on helppo käyttää.
2. Pidä jääkaappi etäällä lämmönlähteistä, kosteista paikoista ja suoralta auringonpaisteelta.
3. Jääkaapin ympärillä on oltavaa tilaa kunnolliselle tuuletukselle, jotta se toimisi tehokkaasti. Jos jääkaappi asetetaan seinän syvennykseen, väliä kattoon ja seiniin on jäätävä vähintään 5 cm. **Jos lattia on päällystetty matolla, jääkaapin on oltava koholla lattiasta vähintään 2,5 cm.**
4. Aseta jääkaappi tasaisella lattiapinnalle tärinän ehkäisemiseksi.
5. Älä säilytä jääkaappia tilassa, jonka lämpötila on alle 10 °C.

ℹ Tämä laite on suunniteltu käytettäväksi alla olevassa taulukossa määritetyillä lämpötila-alueilla, ja siinä on edistynyt lämpötilan ohjausjärjestelmä (Advanced Electronic Temperature Control System [AETCS]), joka varmistaa, että suositusasetuksella [4 - valitsimessa neljä] ei pakasteosastossa oleva ruoka sula, vaikka lämpötila nousisi yli -15 °C. Laitetta EI SAA käyttöön ottaa yhteydessä sijoittaa tiloihin, joissa on matala lämpötila, sillä pakastimen lämpötila ei silloin laske normaaliin käyttölämpötilaan. Saavutettuaan tasaisen käyttötilan pakastin voidaan sijoittaa uudelleen. Voit silloin sijoittaa laitteen esimerkiksi autotaliin tai lämmittämättömään huoneeseen, eikä sinun tarvitse huolehtia siitä, että pakastimessa olevat pakasteet pilaantuvat. Edellä mainituissa matalissa ympäristölämpötiloissa jääkaapin sisältö kuitenkin luultavasti jäätyy, joten tarkista tilanne ja käytä jääkaapissa oleva ruoka tilanteen mukaan. Kun ympäröivä lämpötila palautuu normaaliksi, voit vaihtaa valitsimen asetuksen halutunlaiseksi.

ℹ Jos ympäröivä lämpötila on alle 0 °C, jääkaappiosaston sisältämä ruoka sisältyy. Siksi suosittelemme, ettet käytä jääkaappiosastoa tällaisissa matalissa lämpötiloissa. Voit jatkaa pakasteosaston käyttöä normaalisti.

Sisälampun vaihtaminen

Jos lamppu ei pala, toimi seuraavasti.

1- Kytke virta pois pistorasian kytkimestä ja irrota verkkojohto.

Hyllyjen irrottaminen helpottaa lamppuun käsiksi pääsyä.

2- Käytä litteäkärkistä ruuvimeisseliä valosuojuksen irrottamiseen.

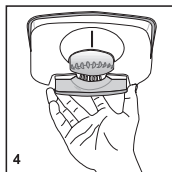
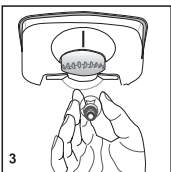
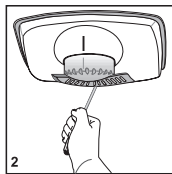
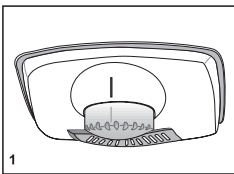
3- Tarkista ensin, ettei lamppu ole löystynyt ruuvaamalla se tiukasti lamppupesään. Laita pistoke takaisin ja kytke virta päälle.

Jos lamppu toimii, laita valosuojus paikoilleen asettamalla takakorvake paikoilleen ja työntämällä ylöspäin kahden etukorvakkeen paikoilleen asettamiseksi.

4- Mikäli lamppu ei edelleenkään pala, kytke virta pois pistorasian kytkimestä, ja irrota verkkojohto. Vaihda lamppu uuteen 15 watin (maks.) ruuvikantalamppuun (SES).

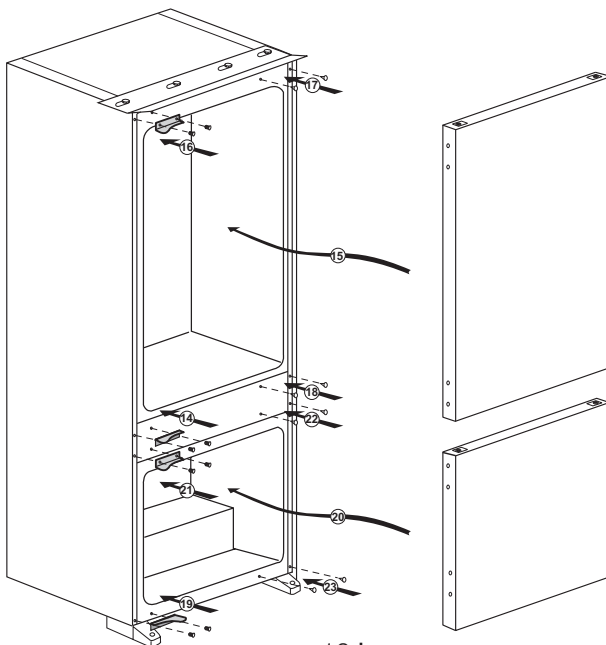
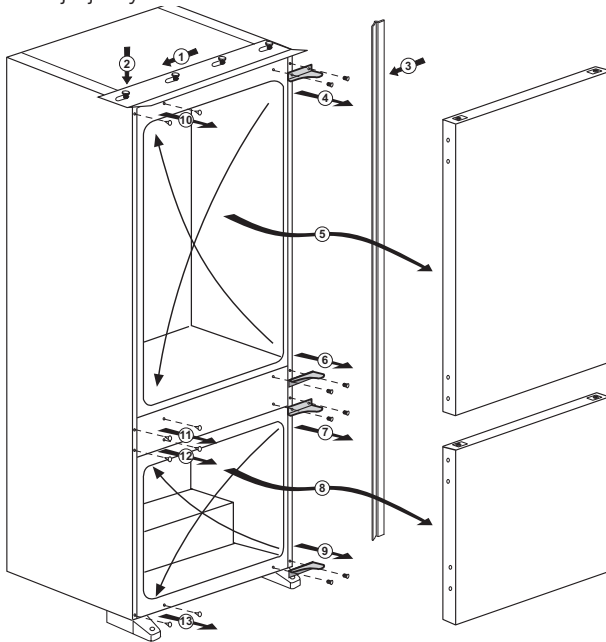
5- Hävitä palanut lamppu heti huolella.

Uusi lamppu on helposti saatavilla hyvästä sähköliikkeestä tai rautakaupasta.



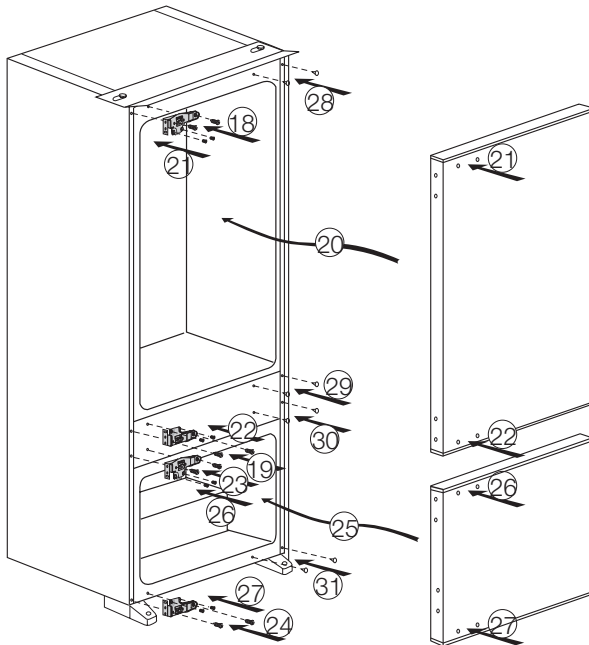
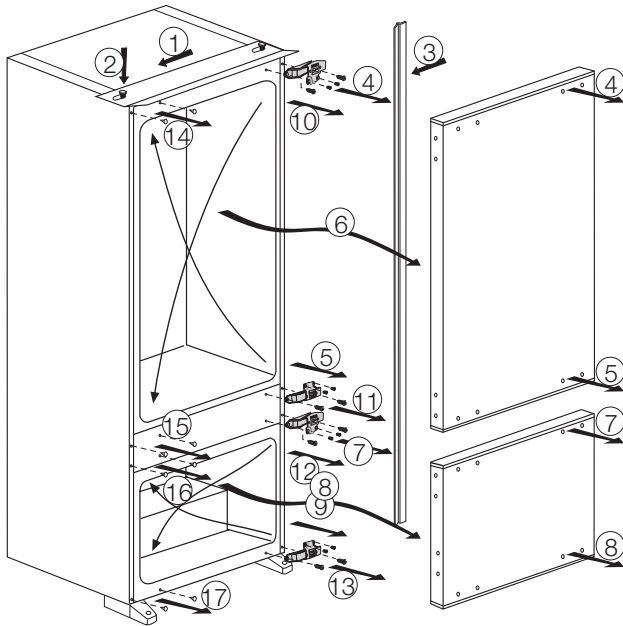
Ovien uudelleen sijoitus

Etene numerjärjestyksessä



Ovien uudelleen sijoitus

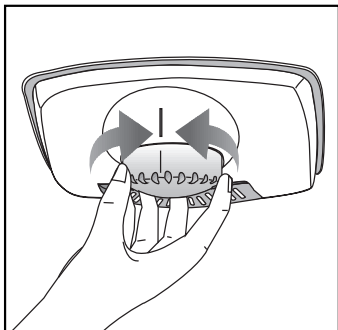
Etene numerorjestyksessä



4 Valmistelu

- Jääkaappi on asennettava vähintään 30 cm:n etäisyydelle lämmönlähteistä, kuten keittotasoa, liesi, keskuslämmitin ja uuni sekä vähintään 5 cm:n etäisyydelle sähköliedestä, eikä sitä saa sijoittaa suoraan auringonpaisteeseen.
- Jääkaapin sijoitushuoneen lämpötilan on oltava vähintään 10 °C. Jääkaapin käyttöä kylmemmissä olosuhteissa ei suositella, sillä sen tehokkuus kärsii.
- Varmista, että jääkaapin sisäpinta on puhdistettu huolellisesti.
- Jos kaksi jääkaappia asennetaan rinnakkain, niiden väliin on jätettävä tilaa vähintään 2 cm.
- Kun käytät jääkaappia ensimmäistä kertaa, huomioi seuraavat ohjeet ensimmäisten kuuden tunnin aikana.
 - Ovea ei saa avata jatkuvasti.
 - Jääkaappia on käytettävä tyhjänä ilman elintarvikkeita.
 - Älä irrota jääkaappia verkkovirrasta.Jos ilmenee itsestäsi riippumaton virtakatkos, katso varoitukset osassa "Suositellut ongelmanratkaisut".
- Alkuperäiset pakkaus- ja vaahtomuovimateriaalit kannattaa säilyttää tulevaa kuljetusta tai siirtoa varten.

5 Jääkaapin käyttö



Termostaatin asetuspainike
Jääkaapin sisälämpötila muuttuu seuraavista syistä:

- vuodenaikojen vaihtelut
- oven toistuva avaaminen ja oven auki jättäminen pitkäksi aikaa
- jääkaappiin on asetettu ruokaa, antamatta ruoan jäähtyä ensin huoneenlämpöiseksi
- jääkaapin sijainti huoneillassa (esim. altistuu auringonvalolle).
- Näistä syistä aiheutuvia sisälämpötilan muutoksia voi säädellä termostaatin avulla. Termostaatin ympärillä olevat luvut ilmaisevat jäähdytysasteet.
- Jos ympäröivä lämpötila on yli 32 °C, käännä termostaattipainike maksimiasentoon.
- Jos ympäröivä lämpötila on alle 25 °C, käännä termostaattipainike minimiasentoon.

Sulatus

Jääkaappilokero

Jääkaappiosasto suorittaa

täysautomaattisen sulatuksen.

Jääkaappilokeron takaseinään saattaa muodostua vesipisaroita ja 7–8 mm jääkerros, kun jääkaappi jäähtyy.

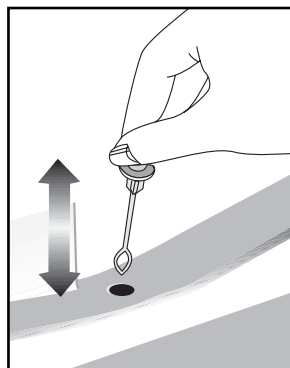
Näiden muodostuminen on normaalia ja johtuu jäähdytysjärjestelmästä. Muodotunut jää sulatetaan automaattisella sulatusjärjestelmällä tietyin välein takaseinän automaattisen sulatusjärjestelmän avulla. Käyttäjän ei tarvitse raaputtaa jäätä tai pyyhkiä vesipisaroita pois.

Sulatuksesta muodostunut vesi valuu veden keräyskourun kautta tyhjennysputkeen ja haihduttimeen ja haihtuu itseksensä.

Tarkista tyhjennysputki ja kouru säännöllisesti mahdollisten tukkeumien varalta ja puhdista aukko tikulla tarvittaessa.

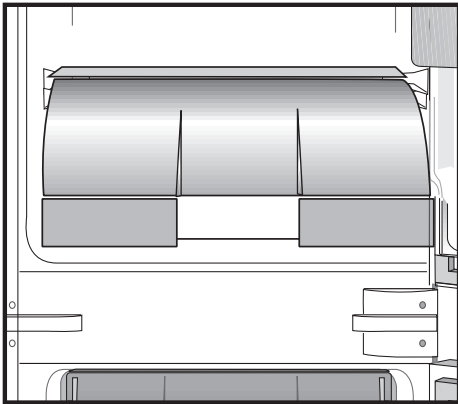
Pakastelokero ei suorita automaattista sulatusta, ettei pakasteruoka pilaannu.

Pakastinosaston sulatus on automaattinen.



Nollalämpötilalokero

Tämä lokero on suunniteltu hitaasti sulatettavien pakasteiden (lihan, kalan, broilerin jne.) säilytykseen. Nollalämpötilalokero on jääkaapin kylmin paikka, ja jossa maitotaloustuotteet (juusto, voi), liha, kala tai broileri voidaan säilyttää ihanteellisissa säilytysolosuhteissa. Kasviksia ja/tai hedelmiä ei saa laittaa tähän lokeroon.



6 Ylläpito ja puhdistus

- ⚠ Älä koskaan käytä puhdistamiseen bensiiniä, bentseeniä tai vastaavia aineita.
- ⚠ Suosittelemme, että irrotat laitteen verkkovirrasta ennen puhdistusta.
 - Älä koskaan käytä puhdistamiseen teräviä, hankaavia välineitä, saippuaa, puhdistusainetta, pesuainetta ja vahaa.
 - Käytä jääkaapin sisätilojen puhdistukseen haaleaa vettä ja pyyhi kuivaksi.
 - Käytä sisätilojen puhdistukseen liinaa, joka on kostutettu 1 tl ruokasoodaa/1/2 litraa vettä sisältävässä liuoksessa ja puristettu kuivaksi, kuivaa lopuksi.
 - Varmista, ettei vettä pääse lamppukoteloon ja muihin sähkökohteisiin.
 - Mikäli jääkaappia ei käytetä pitkään aikaan, irrota virtakaapeli pistorasiasta, poista kaikki ruuat, puhdista jääkaappi ja jätä ovi raolleen.
 - Tarkista oven eristeet säännöllisesti varmistaaksesi, että ne ovat puhtaita ja vapaita ruuasta.
 - Ovitelineiden irrottamiseksi poista niistä kaikki sisältö ja työnnä sitten ovitelinettä pohjasta ylöspäin.

Muoviosien suojele

- Älä laita nestemäistä öljyä tai öljyssä keitetyjä elintarvikkeita jääkaappiin avoimissa astioissa, sillä ne vahingoittavat jääkaapin muovipintoja. Jos öljyä vuotaa tai tarttuu muovipinnoille, puhdista ja huuhtele kohta heti lämpimällä vedellä.

7 Suositellut ongelmanratkaisut

Tarkista tämä luettelo, ennen kuin soitat huoltoon. Se voi säästää aikaa ja rahaa. Tämä luettelo sisältää useita valituksia, jotka eivät johdu virheellisestä työstä tai käytetystä materiaalista. Joitain tässä kuvatuista ominaisuuksista ei ehkä ole laitteessasi.

Jääkaappi ei käy

- Onko jääkaapin virtajohto kunnolla kiinni pistorasiassa? Aseta pistoke seinäpistorasiaan.
- Onko jääkaapin pistorasian sulake tai pääsulake palanut? Tarkista sulake.

Kondensaatiota jääkaappiosaston sivuseinässä.

- Hyvin kylmä ympäristö. Oven jatkuva avaaminen ja sulkeminen. Hyvin kostea ympäristö. Nestepitoisten ruokien säilytys avoimessa astiassa. Oven jättäminen raolleen.
- Termostaatin kytkeminen kylmemmälle.
- Oven avoinnaoloajan lyhentäminen tai käyttämällä sitä harvemmin.
- Avoimissa astioissa säilytettyjen ruokien peittäminen sopivalla materiaalilla.
- Pyyhi kondensoitunut vesi kuivalla liinalla ja tarkista tuleeko sitä lisää.

Kompressor ei käy

- Kompressorin lämpövastus työntyy ulos äkillisen virtakatkoksen sattuessa tai kun virta sammuu ja syttyy uudelleen, kun jääkaapin jäähdytysjärjestelmän jäähdytysaineenpaine ei ole vielä tasapainossa. Jääkaappi käynnistyy noin 6 minuutin kuluttua. Soita huoltoon, jos jääkaappi ei käynnisty tässä ajassa.
- Jääkaapin sulatusjakso on käynnissä. Tämä on normaalia täysautomaattisesti itsesulattavassa jääkaapissa. Sulatuskierto tapahtuu tietyin väliajoin.
- Jääkaappia ei ole kytketty pistorasiaan. Varmista, että pistoke on asetettu tiukasti seinäpistorasiaan.
- Onko lämpötila-asetukset tehty oikein?
- Sähkökatkos. Soita sähköntoimittajalle.

Jääkaappi käy alituisen tai pitkän ajan.

- Uusi jääkaappisi voi olla leveämpi kuin edellinen. Tämä on aivan normaalia. Suuret jääkaapit käyvät kauemmin.
- Huonelämpötila voi olla liian korkea. Tämä on aivan normaalia.
- Jääkaappi on voitu kytkeä päälle äskettäin tai siihen on säilötty äskettäin ruokaa. Jääkaapin jäähtyminen oikeaan lämpötilaan voi kestää muutamia tunteja kauemmin.
- Suuri määrä ruokaa on voitu säilöä jääkaappiin äskettäin. Lämmin ruoka aiheuttaa jääkaapin käymisen pitempään, kunnes se saavuttaa turvallisen säilytyslämpötilan.
- Ovet on voitu avata äskettäin tai jätetty raolleen pitkäksi aikaa. Jääkaappiin päässyt lämmin ilma aiheuttaa jääkaapin käymisen pitemmän aikaa. Avaa ovia harvemmin.
- Pakastin- tai jääkaappiosaston ovi on voitu jättää raolleen. Tarkista onko ovet suljettu tiukasti.

Jääkaappi käy alituisen tai pitkän ajan.

- Jääkaappi on säädetty hyvin alhaiselle lämpötilalle. Säädä jääkaapin lämpötila lämpimämmäksi ja odota, kunnes haluttu lämpötila on saavutettu.
- Jääkaapin tai pakastimen oven tiiviste voi olla likainen, kulunut, rikkoutunut tai huonosti paikallaan. Puhdista tai vaihda tiiviste. Vahingoittunut, rikkoutunut tiiviste aiheuttaa jääkaapin käymisen pitempiä aikoja nykyisen lämpötilan ylläpitämiseksi.
- Pakastimen lämpötila on hyvin alhainen, kun jääkaapin lämpötila on sopiva.
- Pakastin on säädetty hyvin alhaiselle lämpötilalle. Säädä pakastimen lämpötila lämpimämmäksi ja tarkista.

Jääkaapin lämpötila on hyvin alhainen, kun pakastimen lämpötila on sopiva.

- Jääkaappi on säädetty hyvin alhaiselle lämpötilalle. Säädä jääkaapin lämpötila lämpimämmäksi ja tarkista.

Jääkaappiosaston vetolaatikoissa säilytetty ruoka jäätyy.

- Jääkaappi on säädetty hyvin alhaiselle lämpötilalle. Säädä jääkaapin lämpötila lämpimämmäksi ja tarkista.

Jääkaapin tai pakastimen lämpötila on hyvin korkea.
<ul style="list-style-type: none"> • Jääkaappi on säädetty hyvin korkealle lämpötilalle. Jääkaapin säädöt vaikuttavat pakastimen lämpötilaan. Muuta jääkaapin tai pakastimen lämpötilaa, kunnes jääkaappi tai pakastin saavuttaa riittävän tason. • Ovet on voitu avata äskettäin tai jätetty raolleen pitkäksi aikaa. Lämpimää ilmaa tunkeutuu jääkaappiin tai pakastimeen, kun ovet avataan. Avaa ovia harvemmin. • Ovi on voitu jättää raolleen. Sulje ovi kokonaan. • Suuri määrä ruokaa on voitu säilöä jääkaappiin äskettäin. Odota, kunnes jääkaappi tai pakastin saavuttaa halutun lämpötilan. • Jääkaapin virtajohto on voitu liittää pistorasiaan äskettäin. Jääkaapin jäähtymisen kokonaan kestää kauemmin sen koon vuoksi.
Käyntiäni voimistuu, kun jääkaappi käy.
<ul style="list-style-type: none"> • Jääkaapin käyttöteho saattaa muuttua ympäristön lämpötilan muutosten mukaan. • Se on normaalia eikä ole vika.
Tärinä tai käyntiäni.
<ul style="list-style-type: none"> • Lattia ei ole tasainen tai se on heikko. Jääkaappi huojuu, kun sitä siirretään hitaasti. Varmista, että lattia on tasainen, luja, ja että se kestää jääkaapin painon. • Melu saattaa johtua jääkaapin laitetuista kohteista. Tällaiset kohteet tulisi poistaa jääkaapin yläosasta.
Esiintyy nesteiden vuotamisen tai suihkuamisen kaltaisia ääniä.
<ul style="list-style-type: none"> • Neste- ja kaasuvuotoja ilmenee jääkaapin käyttöperiaatteiden mukaisesti. Se on normaalia eikä ole vika.
Kuuluu tuulen huminan kaltaista ääntä
<ul style="list-style-type: none"> • Ilma-aktivaattoreita (tuulettimia) käytetään jääkaapin jäähdyttämiseen tehokkaasti. Se on normaalia eikä ole vika. • Jääkaapissa oleva vesi/kondensaatio/jää.
Kondensaatio jääkaapin sisäseinissä.
<ul style="list-style-type: none"> • Kuuma ja kostea sää lisää jäätymistä ja kondensaatiota. Se on normaalia eikä ole vika. • Ovet ovat raollaan. Varmista, että ovet on suljettu kokonaan. • Ovia on voitu avata jatkuvasti tai ne on voitu jättää auki pitkäksi aikaa. Avaa ovea harvemmin. • Jääkaapin ulkopinnoilla oleva vesi/kondensaatio/jää.

Kosteutta esiintyy jääkaapin ulkopinnoilla tai ovien välissä.
<ul style="list-style-type: none"> • Sää voi olla kostea. Tämä on aivan normaalia kostealla säällä. Kun kosteutta on vähemmän, kondensaatio häviää.
Paha haju jääkaapin sisällä.
<ul style="list-style-type: none"> • Jääkaapin sisäpuoli on puhdistettava. Puhdista jääkaapin sisäpuoli sienellä, lämpimällä vedellä tai hiilihapollisella vedellä. • Jotkut astiat tai pakkausmateriaalit voivat olla hajun aiheuttajia. Käytä erilaista säilytysastiaa tai erimerkkistä pakkausmateriaalia.
Ovi/ovet eivät mene kiinni.
<ul style="list-style-type: none"> • Elintarvikepakkaukset voivat estää oven sulkeutumisen. Poista pakkaukset, jotka ovat oven esteenä. • Jääkaappi ei todennäköisesti ole aivan pystysuorassa lattialla ja se voi keinua hieman siirrettyinä. Säädä nostoruuveja. • Lattia ei ole tasainen tai kestävä. Varmista, että lattia on tasainen, ja että se kestää jääkaapin painon.
Lokerot ovat juuttuneet.
<ul style="list-style-type: none"> • Elintarvikkeita voi olla kosketuksissa lokeron kattoon. • Järjestä ruuat uudelleen vetolaatikossa.

Vennligst les denne veiledningen først!

Kjære kunde,

Vi håper at produktet ditt, som er produsert ved moderne anlegg og som er kontrollert med strenge kvalitetskontrollprosedyrer, vil gi deg effektiv ytelse.




Derfor ber vi deg lese nøye gjennom denne veiledningen før du bruker produktet og beholde denne for fremtidig bruk.

Bruksanvisningen

- Vil hjelpe deg til å bruke apparatet på en hurtig og sikker måte.
 - Vennligst les bruksanvisningen før du installerer og bruker produktet.
 - Følg instruksjonene, spesielt de som angår sikkerheten.
 - Hold veiledningen lett tilgjengelig, siden du kan ha behov for den senere.
 - Les også de andre dokumentene som ble levert sammen med produktet.
- Vennligst merk at denne bruksanvisningen kan gjelde for flere andre modeller.

Symboler og beskrivelser av disse

Denne veiledningen inneholder følgende symboler:

-  Viktig informasjon eller nyttige tips om bruk.
-  Advarsel om farlige tilstander for liv og eiendom.
-  Advarsel om elektrisk spenning.



Dette produktet har utvalgt sorteringssymbol for avfall elektrisk og elektronisk utstyr (WEEE).

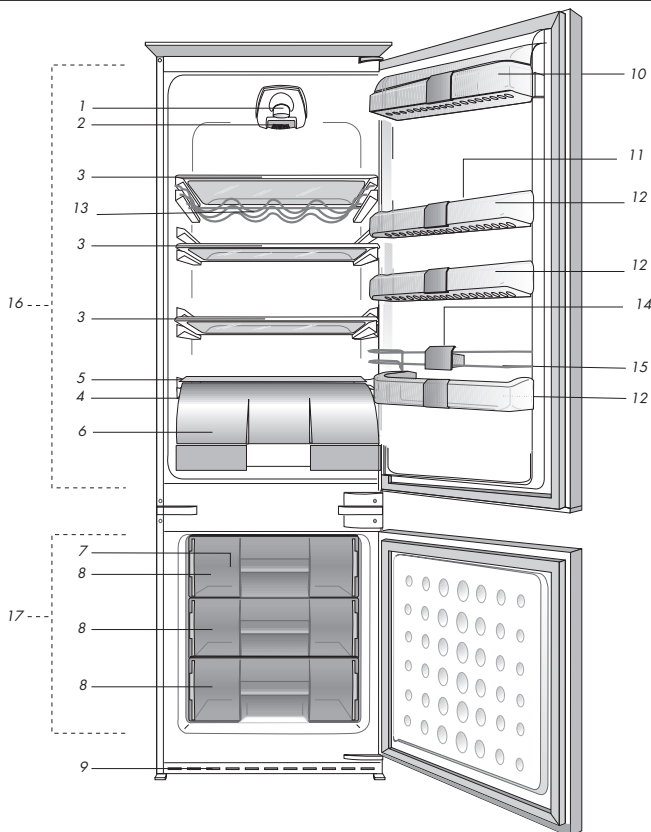
Dette betyr at dette produktet må håndteres etter EU-direktivet 2002/96/EC for å resirkuleres eller demonteres for å redusere virkningen på miljøet. For ytterligere informasjon, vennligst ta kontakt med lokale eller regionale myndigheter.

Elektroniske produkter som ikke er inkludert i utvalgt sorteringsprosess er potensielt farlige for miljøet og menneskers helse pga. tilstedeværelse av farlige substanser.

INNHOOLD

1 Kjøleskapet	3	4 Forberedelse	12
2 sikkerhetsadvarsler	Viktige 4	5 Bruke kjøleskapet	13
Beregnet bruk.....	4	Nulltemperaturdel	14
Generell sikkerhet	4	6 Vedlikehold og rengjøring	15
Barnesikring	6	Beskyttelse av plastoverflater	15
HCA-advarsel	6	7 Anbefalte løsninger på problemer	16
Ting å gjøre for å spare energi	6		
3 Installasjon	7		
Punkter som er viktige ved ny transportering av kjøleskapet	7		
Før du bruker kjøleskapet	7		
Bortskaffing av emballasjen	7		
Bortskaffing av det gamle kjøleskapet	7		
Plassering og installasjon.....	7		
Utskifting av lyspæren inne i skapet ..	8		
Omhengsling av dørene.....	10		
Omhengsling av dørene.....	11		

1 Kjøleskapet



- | | |
|--|--|
| 1. Innvendig lys | 10. Avdeling for oppbevaring av melkeprodukter |
| 2. Termostatbryter | 11. Eggbrett |
| 3. Justerbare hyller | 12. Justerbare hyller i døren |
| 4. Smeltevannopsamlingskanal - avløpsrør | 13. Flaskehylle |
| 5. Grønnsaksoppbevaringslokk | 14. Flaskeholder |
| 6. 0 °C boks | 15. Flaskeoppbevaringshylle |
| 7. Isboks | 16. Kjøleskapsdel |
| 8. Frysedel | 17. Frysedel |
| 9. Luftegitter | |

i Figurene i denne veiledningen er skjematisk og kan derfor være litt forskjellige fra ditt produkt. Hvis noen deler ikke medfølger produktet du har kjøpt, gjelder den for andre modeller.

Vennligst les følgende informasjon. Hvis denne ikke følges, kan det oppstå personskade eller skade på utstyr. Videre vil garanti og pålitelighetsløfte bli ugyldig.

Levetiden for produktet du har kjøpt, er 10 år. Dette er perioden for å holde reservedeler som kreves for at enheten skal fungere slik som beskrevet.

Beregnet bruk

- Dette apparatet er kun beregnet til bruk i husholdninger og lignende bruksområder, slik som
 - betjeningens kjøkkenområder i butikker, på kontorer og andre arbeidsmiljøer;
 - gårdsbruk og av klienter på hoteller, moteller og andre botypemiljøer;
 - bed and breakfast-miljøer;
 - catering og lignende ikke-salgapplikasjoner.
- Skapet skal ikke brukes utendørs. Det er ikke egnet til utendørs bruk selv om stedet er tildekket ved tak.

Generell sikkerhet

- Når du ønsker å kaste/skrote produktet, anbefaler vi at du forhører deg med autorisert service for å få nødvendig informasjon og autoriserte myndigheter.
- Hør med autorisert service når det gjelder alle spørsmål og problemer relatert til kjøleskapet. Ikke foreta endringer eller la noen andre foreta endringer på kjøleskapet uten å varsle autorisert service.
- Ikke spis is krem med kjeks eller isbiter straks etter at du tar dem ut av fryseren!! (Dette kan forårsake frostbitt i munnen.)
- Ikke putt drikkevarer på flaske eller

hermetikk i fryseren. Dette kan føre til at de sprekker.

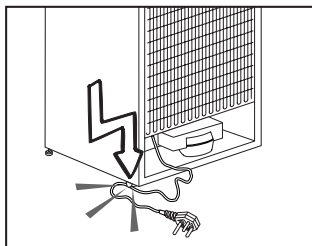
- Ikke rør frossen mat med hendene, da disse kan hefte seg til hånden.
- Damp og damprensjøringsmaterialer skal aldri brukes i rengjørings- og avtiningsprosesser for kjøleskapet. I slike tilfeller kan dampen komme i kontakt med de elektriske planene og forårsake kortslutning eller elektrisk sjokk.
- Bruk aldri deler på kjøleskapet slik som døren som støtte eller trinn.
- Ikke bruk elektriske innretninger på innsiden av kjøleskapet.
- Ikke ødelegg kjølekretsen, der kjølevæsken sirkulerer, med drill eller kutteverktøy. Kjølevæsken som kan strømme ut når gasskanaler for fordampere, rørforlengelser eller overflatebelegg punkteres, kan forårsake hudirritasjon og øyeskader.
- Ikke dekk til eller blokker ventilasjonsåpningene på kjøleskapet med noe materiale.
- Reparasjoner på det elektriske utstyret skal kun foretas av kvalifiserte personer. Reparasjoner som utføres av en inkompetent person kan forårsake fare for brukeren.
- I tilfelle feil under vedlikehold eller reparasjonsarbeid, kople fra kjøleskapets strømforsyning ved å slå av relevant sikring eller trekke ut støpselet.
- Ikke trekk etter ledningen når du trekker ut støpslet.
- Plasser drikkebeholdere tett lukket og stående.
- Ikke oppbevar eksplosive stoffer, slik som aerosolbokser med antennelig

drivmiddel i dette apparatet.

- Ikke bruk mekanisk utstyr eller andre midler for å akselerere avisingsprosessen annet enn slikt utstyr som produsenten anbefaler.
- Dette apparatet er ikke ment for bruk av personer (inkludert barn) med reduserte fysiske, sensoriske eller mentale evner, eller manglende erfaring og kunnskap, med mindre de er gitt opplæring eller instruks i bruk av apparatet av en person som er ansvarlig for deres sikkerhet.
- Ikke bruk et ødelagt kjøleskap. Hør med service hvis du er i tvil.
- Elektrisk sikkerhet på kjøleskapet kan garanteres kun hvis jordingen i hjemmet oppfyller standardene.
- Det er farlig å utsette produktet for regn, snø, sol og vind pga. elektrisk sikkerhet.
- Ta kontakt med autorisert service hvis det er skade på strømledningen osv., slik at dette ikke utgjør noen fare for deg.
- Plugg aldri kjøleskapet inn i vegguttaket under installasjonen. Dette kan føre til fare for døden eller alvorlig skade.
- Dette kjøleskapet er kun utformet for å oppbevare mat. Det skal ikke brukes til noen andre formål.
- Merket som beskriver den tekniske spesifikasjonen til produktet befinner seg på den indre venstre delen av kjøleskapet.
- Ikke koble kjøleskapet til elektriske energisparessystemer, da dette kan skade produktet.
- Hvis kjøleskapet har blått lys, skal du ikke se på det blå lyset gjennom optiske innretninger.
- Hvis strømforsyningen er frakoblet

i manuelt kontrollerte kjøleskap, vennligst vent i minst 5 minutter før du kobler til strømmen igjen.

- Dette produktets brukerhåndbok skal overleveres til neste eier av kjøleskapet hvis det skifter eier.
- Når du flytter kjøleskapet, se til at du ikke skader strømledningen. For å forhindre brann skal strømledningen ikke vris. Tunge gjenstander skal ikke plasseres på strømledningen. Når kjøleskapet tilkobles skal strømuttaket ikke håndteres med våte hender.



- Ikke koble til kjøleskapet hvis strømuttaket er løst.
- Ikke sprut vann direkte på de ytre eller indre delene av kjøleskapet på grunn av sikkerheten
- Ikke spray antennelige materialer, slik som propangass i nærheten av kjøleskapet på grunn av brann- og eksplosjonsfaren.
- Ikke plasser gjenstander som er fylt med vann oppå kjøleskapet, da det kan føre til elektrisk støt eller brann.
- Ikke overbelast kjøleskapet med for mye mat. Den overflødigematen kan falle når døren åpnes og føre til at den skader deg, eller at kjøleskapet skades. Ikke plasser gjenstander oppe på kjøleskapet, da gjenstander kan falle ved åpning eller lukking av kjøleskapsdøren.
- Materialer som krever bestemte

temperaturforhold, slik som vaksine, temperatursensitive medisiner, forskningsmaterialer osv. skal ikke oppbevares i kjøleskap.

- Hvis kjøleskapet ikke kommer til å brukes over lengre tid, skal det kobles fra strømuttaket. Et problem i den elektriske kablingsisolasjonen kan føre til brann.
- Tuppen på den elektriske pluggen skal rengjøres regelmessig, ellers kan det oppstå brann.
- Kjøleskapet kan bevege seg hvis de justerbare føttene ikke er fast posisjonert på gulvet. Ved bruk av justerbare føtter kan du sikre at kjøleskapet er posisjonert godt på gulvet.
- Hvis kjøleskapet har dørhåndtak, ikke trekk kjøleskapet etter dørhåndtakene ved flytting, da det kan koble håndtaket fra kjøleskapet.
- Hvis du må bruke apparatet ved siden av et annet kjøleskap eller en fryser, må avstanden mellom apparatene være minst 8 cm. Ellers kan det oppstå kondens på sideveggene som vender mot hverandre.
- Vannforsyningstrykket må ikke være under 1 bar. Vannforsyningstrykket må ikke være over 8 bar.
- Bruk kun springvann som kan drikkes.

Barnesikring

- Hvis du har en lås på døren, skal nøkkelen oppbevares utilgjengelig for barn.
- Barn må passes for å sikre at de ikke leker med apparatet.

HCA-advarsel

Hvis produktet er utstyrt med et kjølesystem som inneholder

R600a:

Denne gassen er brennbar. Derfor, vær forsiktig så kjølesystemet og rørene ikke ødelegges under bruk og transport. I tilfelle skade skal produktet holdes på avstand fra potensielle brannkilder som kan gjøre at produktet begynner å brenne, og ventiler rommet der enheten er plassert.

Ignorer advarselen hvis produktet er utstyrt med et kjølesystem som inneholder R134a.

Du kan se gassen som er brukt i produksjonen av produktet på typeskiltet som befinner seg på venstre indre del.

Kast aldri produktet inn i flammer.

Ting å gjøre for å spare energi

- Ikke hold dørene til kjøleskapet åpne over lang tid.
- Ikke putt varm mat eller drikke i kjøleskapet.
- Ikke overlast kjøleskapet slik at luften sirkulerer inne i kjøleskapet hvis den ikke forhindres.
- Ikke installer kjøleskapet under direkte sollys eller i nærheten av varmeutstrålende apparater, slik som ovn, oppvaskmaskin eller radiator.
- Se til å holde maten i lukkede beholdere.
- Maksimal mengde mat kan legges i kjøleskapets fryserdel hvis fryserdelshyllen eller skuffen fjernes. Erklært energiforbruksverdi for kjøleskapet ditt ble fastsatt ved fjerning av fryserdelshyllen eller skuffen og ved maksimal lastemengde av mat. Det er ingen fare ved bruk av hyllene eller skuffen i henhold til form og størrelse på maten som skal frys.

3 nstallasjon

⚠️ Vennligst husk at produsenten ikke skal holdes ansvarlig hvis informasjonen som gis i bruksanvisningen ikke overholdes.

Punkter som er viktige ved ny transportering av kjøleskapet

1. Kjøleskapet må tømmes og rengjøres før transport.
2. Hyller, tilbehør, grønnsaksoppbevaringsboks osv. i kjøleskapet må festes godt med teip mot støt før innpakning.
3. Innpakningen må festes med tykk teip og sterke tau, og transportreglene på pakningen må følges.

Vennligst ikke glem...

Hvert resirkulert material er en uunnværlig kilde for naturen of for de nasjonale ressursene.

Hvis du ønsker å bidra til resirkulering av pakkematerialene, kan du få mer informasjon fra miljømyndigheter eller lokale myndigheter

Før du bruker kjøleskapet

Før du begynner å bruke kjøleskapet må du kontrollere følgende:

1. Er de indre delene av kjøleskapet tørre, og kan luften sirkulere fritt på baksiden av skapet?

Elektrisk tilkobling

Tilkople produktet til et jordet uttak som er beskyttet av en sikring med riktig kapasitet.

Viktig:

- Tilkoplingen skal være i overensstemmelse med nasjonale forskrifter.

- Strømledningens støpsel skal være lett tilgjengelig etter installasjon.
- Oppgitt spenning må tilsvare spenningen i strømmettet ditt.
- Skjøtekabler og flerveispluggen skal ikke brukes for tilkobling.

⚠️ En ødelagt strømledning skal skiftes ut av en kvalifisert elektriker.

⚠️ Produktet skal ikke brukes før det er reparert! Det er fare for elektrisk støt!

Bortskaffing av emballasjen

Innpakningsmaterialer kan være farlige for barn. Hold innpakningsmaterialene utilgjengelig for barn eller kast dem ved sortering etter avfallsforskriftene. Ikke kast dem sammen med normalt husholdningsavfall.

Emballasjen for maskinen din er produsert av resirkulerbare materialer.

Bortskaffing av det gamle kjøleskapet

Bortskaff det gamle kjøleskapet uten å skade miljøet.

- Du kan forhøre deg med din autoriserte forhandler eller avfallssorteringssenteret der du bor om bortskaffing av kjøleskapet ditt.

Før du bortskaffer kjøleskapet, kutt av strømstøpselet, og hvis det finnes låser på døren, se til at de ikke lenger virker, slik at barn beskyttes mot all fare.

Plassering og installasjon

⚠️ Hvis inngangsdøren til rommet der kjøleskapet skal plasseres ikke er bred nok for å få gjennom kjøleskapet, ring autorisert service for å få dem til å fjerne dørene på kjøleskapet og før det gjennom døren sideveis.

1. Installer kjøleskapet på et sted det er enkelt å bruke det.

2. Hold kjøleskapet på avstand fra varmekilder, fuktige steder og direkte sollys.

3. Det skal være tilstrekkelig luftventilasjon rundt kjøleskapet for å oppnå en effektiv drift.

Hvis kjøleskapet skal plasseres i en innbygging i veggen, må det være minst 5 cm avstand fra taket og 5 cm fra veggen.

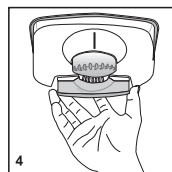
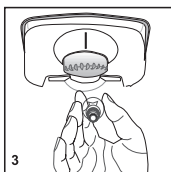
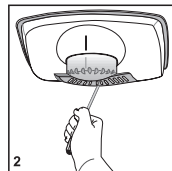
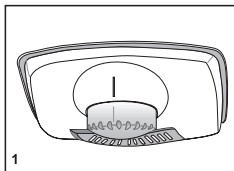
Hvis gulvet er dekket med et teppe, skal produktet heves 2,5 cm fra gulvet.

4. Plasser kjøleskapet på jevn gulvoverflate for å unngå støt.

5. Ikke oppbevar kjøleskapet i omgivelser med temperaturer under 10°C.

5- Kvitt deg med den utbrente pæren på riktig måte med en gang.

Ny lyspære kan lett fås fra en lokal elektrisk eller GDS-butikk.



Utskifting av lyspæren inne i skapet

Hvis lyset ikke virker, gå frem på følgende måte.

1- Skru av kjøleskapet ved vegguttaket, og trekk ut støpselet.

Det kan være nyttig å fjerne hyller for lett tilgang.

2- Bruk en flattuppet skrutrekker for å fjerne lysdemningsdekslet..

3 - Sjekk først at pæren heller ikke virker ved å skru den til i holderen. Sett inn pluggen igjen og skru på.

Hvis pæren virker, skift lysdekslet ved å sette inn baktapp og skyve opp for å plassere frontens to tapper.

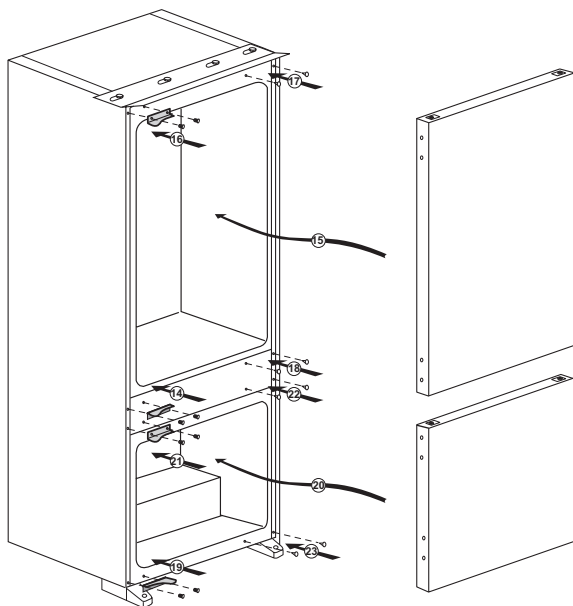
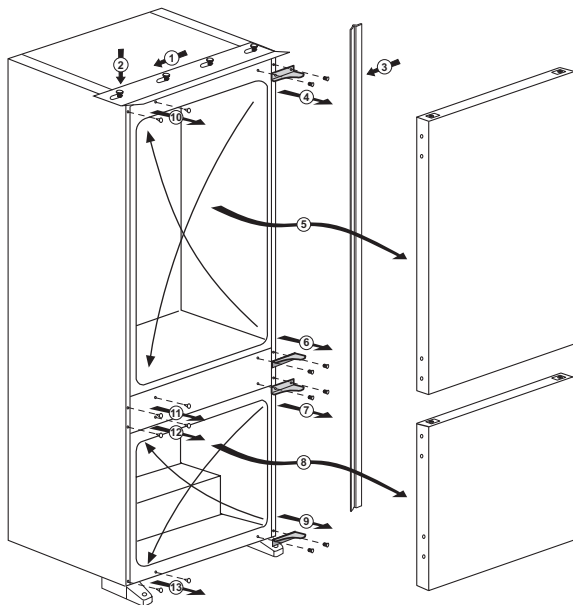
4 - Hvis lyset fortsatt ikke virker, skrur du av kjøleskapet ved vegguttaket og trekker ut pluggen til apparatkabelen. Erstatt pæren med en ny 15 watts (maks.) skruerpære (SES).

i Dette apparatet er utformet til å brukes ved temperaturer som er spesifisert i tabellen nedenfor og er utstyrt med avansert elektronisk temperaturkontrollsystem [AETCS], som sikrer at ved den anbefalte innstillingen [4 - fire på knotten], vil ikke den frosne maten i fryseren tines opp, selv om omgivelsestemperaturen faller så lavt som -15 °C. Når det først er installert, MÅ produktet IKKE plasseres i lave omgivelsestemperaturer, fordi fryseren ikke vil redusere til sin standard driftstemperatur. Når det har nådd stødig driftsstatus, kan det flyttes. Så du kan deretter installere apparatet i en garasje eller rom som ikke er oppvarmet, uten at du trenger å bekymre deg om at maten i fryseren ødelegges. Men ved lave omgivelsestemperaturer som nevnt ovenfor, er det sannsynlig at kjøleskapets innhold fryser, så kontroller og bruk maten i kjøleskapet avhengig av dette. Når omgivelsestemperaturen returnerer til det normale, kan du endre knottinnstillingen etter dine behov.

i Hvis omgivelsestemperaturen er under 0 °C, vil maten i kjøleskapet fryse. Så vi anbefaler at du ikke bruker kjøleskapet ved slike lave omgivelsesforhold. Du kan fortsette å bruke fryserdelen som vanlig.

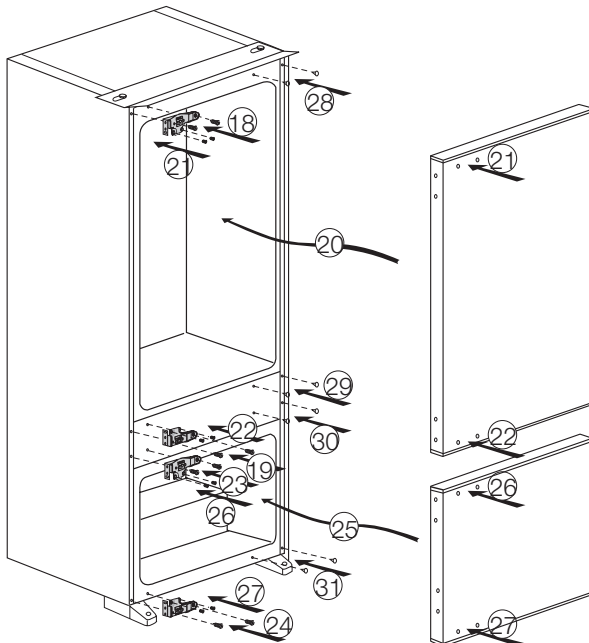
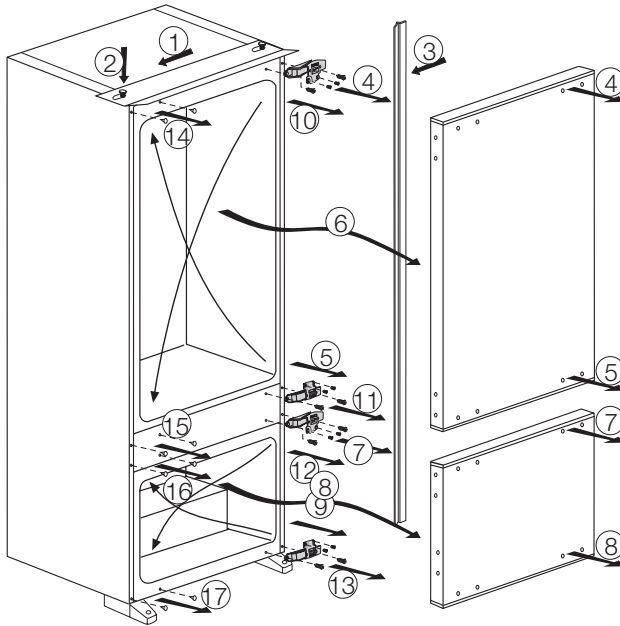
Omhengsling av dørene

Gå frem i nummerrekkefølge



Omhengsing av dørene

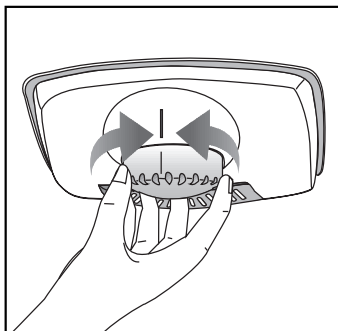
Gå frem i nummerrekkefølge



4 Forberedelse

- Kjøleskapet skal installeres minst 30 cm på avstand fra varmekilder, slik som f.eks. komfyrer, ovner, sentralvarme og kokeplater, samt minst 5 cm borte fra elektriske ovner og skal ikke plasseres i direkte sollys.
- Omgivelsestemperaturen i det rommet der kjøleskapet plasseres skal være minst 10°C. Bruk av kjøleskapet under kaldere forhold enn dette anbefales ikke pga. effektiviteten.
- Vennligst se til at de indre delene av kjøleskapet rengjøres grundig.
- Hvis to kjøleskap skal installeres ved siden av hverandre, skal det være en avstand på minst 2 cm mellom dem.
- Når du bruker kjøleskapet for første gang, vennligst følg instruksene rundt de første seks timene.
 - Døren skal ikke åpnes ofte.
 - Det skal kun brukes tomt uten mat.
 - Ikke trekk ut støpselet for kjøleskapet. Hvis et strømbrydd oppstår som du ikke kan kontrollere, vennligst se advarsler i avsnittet "Anbefalte løsninger på problemer".
- Originalinnpakningen og skummaterialer skal beholdes for fremtidig transport eller flytting.

5 Bruke kjøleskapet



Temperaturinnstillingsknapp

Temperaturen inne i kjøleskapet endres av følgende årsaker:

- Sesongmessige temperaturer
- Hvis døren åpnes ofte og blir stående åpen over lengre tid
- Mat legges inn i kjøleskapet uten at den nedkjøles til romtemperatur
- Plasseringen på kjøleskapet i rommet (f.eks. eksponering overfor sollys).
- Du kan justere den varierende temperaturen inne i kjøleskapet på grunn av slike årsaker ved bruk av termostaten. Tallene rundt termostatknappen indikerer kjølegradene.
- Hvis omgivelsestemperaturen er høyere enn 32 °C, skal termostatknappen visis til maksimal posisjon.
- Hvis omgivelsestemperaturen er lavere enn 25 °C, skal termostatknappen visis til minimal posisjon.

Tining

Kjøleskapsdel

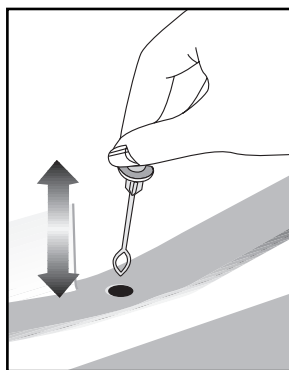
Kjøleskapsdelen utfører helautomatisk avising. Vanndråper og frost på inntil 7-8 mm kan oppstå på den indre veggen i kjøleskapet mens kjøleskapet kjøles ned. Dette er normalt som følge av kjølesystemet. Frostdannelsen avises ved å utføre automatisk avising med bestemte intervaller takket være det automatiske avisingssystemet på bakveggen. Brukeren trenger ikke å skrape vekk frosten eller fjerne vanndråpene.

Vann som følge av avisingen kommer fra vannsamlingsporet og flyter inn i fordampere gjennom avløpsrøret og fordampes her av seg selv!

Kontroller regelmessig for å se om avløpsrøret er tilstoppet eller ikke, og rengjør det med pinnen i hullet ved behov.

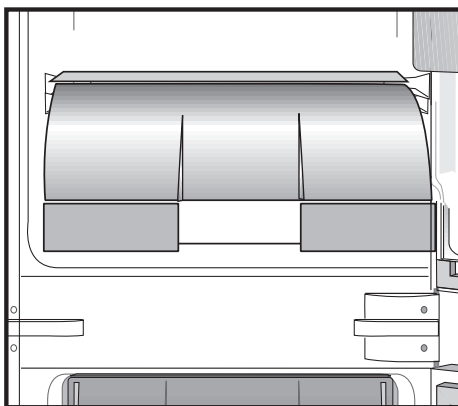
Dypfryserdelen gjennomfører ikke automatisk avising for å unngå å forringe forråtnelse av den frosne maten.

Frysedelen ises av automatisk.



Nulltemperaturdel

Denne delen er utviklet til å lagre frossen mat som skal tines sakte (kjøtt, fisk, kylling osv.) etter ønske. Nulltemperaturdelen er den kaldeste delen av kjøleskapet der melkeprodukter (ost, smør), kjøtt, fisk eller kylling kan holdes ved ideelle lagringstemperaturer. Grønnsaker og/eller frukt må ikke oppbevares i denne delen.



6 Vedlikehold og rengjøring

- ⚠ Bruk aldri bensin, benzen eller lignende stoffer til rengjøring.
- ⚠ Vi anbefaler at du trekker ut støpselet på apparatet før rengjøring.
- Bruk aldri noen skarpe redskaper eller rengjøringsmidler med skureeffekt, såpe, rengjøringsmidler for hjemmebruk eller voks til rengjøringen.
- Bruk lunkent vann for å vaske skapet og tørk det tørt.
- Bruk en fuktig klut vridd opp i en oppløsning av en teskje bikarbonatsoda til $\frac{1}{2}$ liter vann for å rengjøre innsiden av skapet og tørk det tørt.
- Pass på at det ikke kommer vann inn i pærehuset eller andre elektriske gjenstander.
- Hvis kjøleskapet ikke skal brukes over en lengre periode, må du trekke ut støpselet, ta ut alle matvarer, rengjøre det og sette døren på klem.
- Kontroller pakningene til dørene jevnlig for å sikre at de er rene og fri for matrester.
- For å demontere dørstativene tar du først ut alt innholdet og så skyver du ganske enkelt dørstativet opp fra bunnen.

Beskyttelse av plastoverflater

- Ikke putt flytende oljer eller oljekokte måltider i kjøleskapet i uforseglede beholdere, da disse kan ødelegge plastoverflatene i kjøleskapet. Ved søling eller smøring av olje på plastoverflater, rengjør og rens relevant del av overflaten med en gang med varmt vann.

7 Anbefalte løsninger på problemer

Kontroller følgende liste før du ringer service. Det kan spare deg tid og penger. Denne listen inkluderer hyppige klager som ikke oppstår fra defekt utføring eller materialbruk. Noen av funksjonene som beskrives her finnes kanskje ikke i ditt produkt.

Kjøleskapet virker ikke
<ul style="list-style-type: none">• Er kjøleskapet plagget inn? Sett støpselet inn i strømuttaket.• Har sikringen til uttaket kjøleskapet er tilknyttet eller hovedsikringen gått? Kontroller sikringen.
Kondens på sideveggen av kjøleskapet.
<ul style="list-style-type: none">• Svært kalde omgivelsesforhold. Hyppig åpning eller lukking av døren. Svært fuktige omgivelsesforhold. Lagring av mat som inneholder væske i åpne beholdere. Døren står på gløtt.• Still termostaten til kaldere grad.• Reduser tiden døren står åpen eller bruk mindre hyppig.• Dekk til mat som lagres i åpne beholdere med egnet materiale.• Tørk av kondensen med en tørr klut og kontroller om problemet fortsetter
Kompressoren går ikke
<ul style="list-style-type: none">• Termovern for kompressoren vil koples ut under plutselig strømbrydd eller utplugging og innplugging hvis kjølevæsketrykket i kjølesystemet til kjøleskapet ikke er balansert. Kjøleskapet vil starte etter ca. 6 minutter. Vennligst ring service hvis kjøleskapet ikke starter etter utløpet av denne tiden.• Kjøleskapet er i defrostsyklus. Dette er normalt for helautomatisk avisningskjøleskap. Avisningssyklusen gjennomføres regelmessig.• Kjøleskapet er ikke tilkopleet strømuttaket. Kontroller at støpselet er satt godt inn i kontakten.• Er temperaturinnstillingene foretatt riktig?• Det er strømbrydd. Ring strømleverandøren.
Kjøleskapet går hyppig eller over lang tid.
<ul style="list-style-type: none">• Det nye kjøleskapet kan være bredere enn det gamle. Dette er helt normalt. Store kjøleskap arbeider over lengre tidsperioder.• Omgivelsestemperaturen kan være høy. Dette er helt normalt.• Kjøleskapet kan ha vært plagget inn nylig eller blitt lastet med mat. Fullstendig nedkjøling av kjøleskapet kan ta et par timer lenger.• Store mengder varm mat har blitt lagt inn i kjøleskapet nylig. Varm mat forårsaker lengre drift av kjøleskapet inntil den oppnår sikker oppbevaringstemperatur.• Dørene kan ha vært åpnet hyppig eller stått på gløtt i lang tid. Varm luft som har kommet inn i kjøleskapet gjør at kjøleskapet kjører over lang tid. Åpne dørene mindre hyppig.• Fryser- eller kjøleskapsdør kan ha stått på gløtt. Kontroller om dørene er tett lukket.

Kjøleskapet går hyppig eller over lang tid.

- Kjøleskapet er justert til svært kald temperatur. Juster kjøleskapets temperatur til høyere grad og vent inntil temperaturen er oppnådd.
- Dørtetningen til kjøleskapet eller fryseren kan være tilsmusset, utslitt, ødelagt eller ikke på plass. Rengjør eller skift ut tetningen. Skadet/ødelagt tetning gjør at kjøleskapet går over lang tid for å opprettholde aktuell temperatur.

Frysertemperaturen er svært lav, mens kjøleskapstemperaturen er tilstrekkelig.

- Fryserens temperatur er justert til svært lav temperatur. Juster fryserens temperatur til høyere grad og kontroller.

Kjøleskapstemperaturen er svært lav, mens frysertemperaturen er tilstrekkelig.

- Kjøleskapets temperatur er justert til svært lav temperatur. Juster kjøleskapets temperatur til høyere grad og kontroller.

Mat som oppbevares i skuffene fryser.

- Kjøleskapets temperatur er justert til svært lav temperatur. Juster kjøleskapets temperatur til høyere grad og kontroller.

Temperaturen i kjøleskapet eller fryseren er svært høy.

- Kjøleskapets temperatur er justert til svært høy grad. Kjøleskapsjusteringen har virkning på temperaturen til fryseren. Endre temperaturen i kjøleskapet eller fryseren inntil kjøleskapets eller fryserens temperatur når et tilstrekkelig nivå.
- Dørene kan ha vært åpnet hyppig eller stått på gløtt i lang tid. Varm luft strømmer inn i kjøleskapet eller fryseren når dørene åpnes. Åpne dørene mindre hyppig.
- Døren kan ha stått på gløtt. Lukk døren helt.
- Store mengder varm mat har blitt lagt inn i kjøleskapet nylig. Vent inntil kjøleskap eller fryser når ønsket temperatur.
- Kjøleskapet kan ha vært tilkoplek nylig. Fullstendig nedkjøling av kjøleskapet tar tid pga. størrelsen.

Driftslyden øker når kjøleskapet går.

- Ytelsesegenskapene til kjøleskapet kan endres etter endringene i omgivelsestemperaturen. Dette er helt normalt og er ingen feil.

Vibrasjon eller klapping.

- Gulvet er ikke jevnt eller er svakt. Kjøleskapet vugger når det flyttes sakte. Se til at gulvet er jevnt, sterkt og har evne til å bære kjøleskapet.
- Støyen kan forårsakes av gjenstandene som legges inn i kjøleskapet. Slike gjenstander skal fjernes fra toppen av kjøleskapet.

Det er lyder som ligner væskesøl eller spraying.

- Væske- og gasstrømninger skjer etter virkeprinsippene til kjøleskapet. Dette er helt normalt og er ingen feil.

Det høres støy som om det blåser vind.
<ul style="list-style-type: none"> • Luftvifter brukes for at kjøleskapet skal kjøle effektivt. Dette er helt normalt og er ingen feil.
Kondens på de indre veggene på kjøleskapet.
<ul style="list-style-type: none"> • Varmt og fuktig vær øker ising og kondens. Dette er helt normalt og er ingen feil. • Dørene står på gløtt. Se til at dørene lukkes fullstendig. • Dørene kan ha vært åpnet svært hyppig eller stått åpne i lang tid. Åpne døren mindre hyppig. • Vann/kondens/is på utsiden av kjøleskapet.
Fuktighet oppstår på utsiden av kjøleskapet eller mellom dørene.
<ul style="list-style-type: none"> • Været kan være fuktig. Dette er helt normalt ved fuktig vær. Når fuktigheten er lavere, vil kondensen forsvinne.
Dårlig lukt inne i kjøleskapet.
<ul style="list-style-type: none"> • Det må rengjøres inni kjøleskapet. Rengjør innsiden av kjøleskapet med en svamp, varmt vann eller karbonert vann. • Noen beholdere eller innpakningsmaterialer kan forårsake lukten. Bruk en annen beholder eller annet merke på innpakningsmaterialet.
Døren(e) lukkes ikke.
<ul style="list-style-type: none"> • Matpakninger forhindrer lukking av døren. Flytt pakninger som forhindrer lukking av døren. • Kjøleskapet er antagelig ikke plassert helt vertikalt på gulvet og kan vugge når det beveges forsiktig. Juster høydeskruene. • Gulvet er ikke jevnt eller sterkt. Se til at gulvet er jevnt og har evne til å bære kjøleskapet.
Grønnsaksoppbevaringsboksene sitter fast.
<ul style="list-style-type: none"> • Mat kan berøre taket i skuffen. Ordne maten i skuffen på nytt.

Läs den här bruksanvisningen först!

Kära kund!

Vi hoppas att produkten, som har producerats på en modern anläggning och genomgått de allra nogrannaste kvalitetsprocesser, kommer att erbjuda effektiv service.




Vi rekommenderar därför att du läser igenom hela bruksanvisningen noggrant innan du använder den och att du förvarar den nära till hands för framtida referens.

Den här bruksanvisningen

- Hjälper dig använda enheten på ett snabbt och säkert sätt.
- Läs bruksanvisningen innan du installerar och använder produkten.
- Följ instruktionerna, speciellt säkerhetsanvisningarna.
- Förvara bruksanvisningen på en lättåtkomlig plats där du kan hämta den senare.
- Läs även övriga dokument som tillhandahålls tillsammans med produkten. Observera att den här bruksanvisningen även kan gälla för andra modeller.

Symboler och beskrivningar för dem

Den här bruksanvisningen innehåller följande symboler:

-  Viktig information eller användbara tips.
-  Varning för risker för liv och egendom.
-  Varning för elektrisk spänning.



Den här produkten är försedd med symbolen för källsortering av elektriskt och elektroniskt material (WEEE). Detta innebär att produkten måste hanteras i enlighet med EU-direktivet 2002/96/EC för att återvinnas eller återanvändas och därmed minimera påverkan på miljön. För ytterligare information, kontakta din lokala kommun.

Elektroniska produkter som inte inkluderas i källsortering är potentiellt farliga för miljön och den personliga hälsan, på grund av farliga substanser.

INNEHÅLL

1 Ditt kylskåp 3

2 Viktiga säkerhetsvarningar 4

Avsedd användning	4
Allmän säkerhet	4
Barnsäkerhet	6
HCA-Varning	6
Saker att göra för att spara energi	6

3 Installation 7

Saker att tänka på vid transport av kylskåpet	7
Innan du använder kylskåpet	7
Elektrisk anslutning	7
Byte av innerbelysningens glödlampa	8
Avyttring av förpackningen	8
Avyttring av ditt gamla kylskåp	8
Byte av dörrar	10
Byte av dörrar	11

4 Förberedelse 12

5 Använda kylskåpet 13

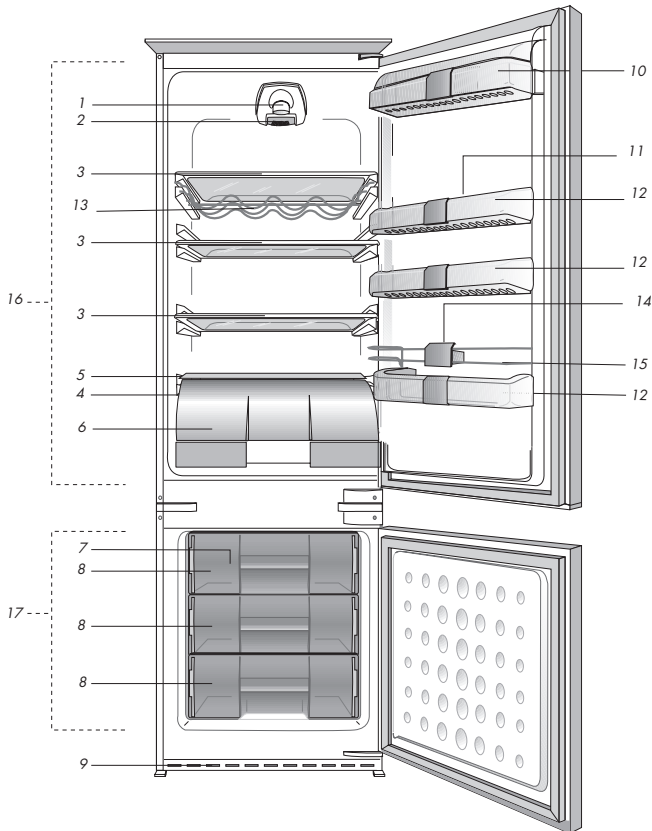
Nolltemperaturfack	14
--------------------------	----

6 Underhåll och rengöring 15

Skydd av plastytor	15
--------------------------	----

7 Rekommenderade lösningar på problem 16

1 Ditt kylskåp



- | | |
|--|---------------------------------|
| 1. Innerlampa | 9. Luftgaller |
| 2. Termostatvred | 10. Utrymme för mejeriprodukter |
| 3. Justerbara hyllor | 11. Äggbehållare |
| 4. Uppsamlingskanal för avfrostningsvatten - dräneringstub | 12. Justerbara dörrhyllor |
| 5. Lock till grönsakslåda | 13. Flaskställ |
| 6. 0 °C-fack | 14. Flaskhållare |
| 7. Isfack | 15. Galler för flaskhållare |
| 8. Frysfack | 16. Kylfack |
| | 17. Frysfack |

i Bilder som förekommer i den här bruksanvisningen är exempel och överensstämmer inte exakt med din produkt. Om det finns delar som inte inkluderas i produkten du har köpt gäller det för andra modeller.

Läs följande information. Om de här varningarna inte följs kan personskada eller materialskada inträffa. Annars blir alla garanti- och tillförlitlighetsåtaganden ogiltiga. Användningstiden för enheten är 10 år. Det här är den period som reservdelarna krävs för att enheten ska hålla.

Avsedd användning

- Den här enheten är endast avsedd för hemmabruk och liknande miljöer, så som
 - personkök i butiker, på kontor och andra arbetsplatser.
 - lantgårdar och av hotellgäster och andra bostadsställen.
 - övernattningsställen av typen bed and breakfast
 - catering och liknande icke-återförsäljaranvändning.
- Den ska inte användas utomhus. Det är inte lämpligt att använda den utomhus även om den står under tak.

Allmän säkerhet

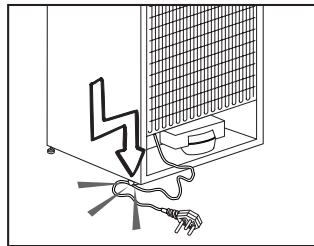
- När du vill avyttra produkten rekommenderar vi att du rådgör med auktoriserad kundtjänst för att få den information som krävs, samt auktoriserade organ.
- Rådfråga auktoriserad service när det gäller alla frågor och problem som är relaterade till kylskåpet. Modifiera inte kylskåpet utan att meddela auktoriserad kundtjänst.
- Ät inte glass och iskuber direkt efter att du har tagit ut dem ur frysfacket! (Det kan leda till köldskador i munnen.)
- Ställ inte in flaskor och

aluminiumburkar med drycker i frysfacket. De kan explodera.

- Rör inte vid fryst mat med händerna; de kan fastna.
- Lättflyktiga material skall aldrig användas vid avfrostning av kylskåpet. Det kan leda till att ångan kommer i kontakt med elektriska delar och orsaka kortslutning eller elektriska stötar.
- Använd aldrig delar på ditt kylskåp såsom en dörr som stöd eller trappsteg.
- Använd inte elektriska enheter inne i kylskåpet.
- Skada inte delarna med borr eller vassa verktyg, när kylskåpet cirkulerar. Kylmedlet som kan läcka ut om rör eller ytor punkteras kan orsaka hudirritation och ögonskador.
- Täck inte över eller blockera ventilationshålen på kylskåpet med något material.
- Reparationer av den elektriska utrustningen får endast utföras av kvalificerade experter. Reparationer som utförs av personer utan rätt kunskap kan orsaka risk för användaren.
- Vid eventuella fel eller felfunktion under service eller reparationsarbete, skall du koppla ur strömkällan till kylskåpet genom att antingen vrida ur motsvarande säkring eller dra ur sladden.
- Drag inte i kabeln – drag i kontakten.
- Placera drycker i kylskåpet ordentligt stängda och upprätt.
- Förvara inte explosiva ämnen, så som aerosolbehållare med brandfarligt bränsle, i den här enheten.

- Använd inte mekaniska enheter eller andra sätt för att snabba på avfrostningsprocessen, förutom det som rekommenderas av tillverkaren.
- Den här enheten är inte avsedd för att användas av personer (inklusive barn) med nedsatt fysisk, psykisk eller mental förmåga, eller som saknar den erfarenhet och kunskap som krävs, om de inte har fått instruktioner om annat och en person i så fall övervakar dem ur säkerhetssynpunkt.
- Använd inte ett skadat kylskåp. Rådfråga kundtjänst om du undrar över något.
- Elsäkerheten för kylskåpet garanteras endast om jordningssystemet i huset uppfyller de krav som gäller.
- Det är farligt att utsätta produkten för regn, snö, sol och vind med tanke på elsäkerheten.
- Kontakta auktoriserad personal om det uppstår skada på strömkabeln eller annat, så att du inte utsätts för fara.
- Koppla aldrig in kylskåpet i vägguttaget under installationen. Det ökar risken för allvarlig skada eller dödsfall.
- Kylskåpet är endast avsett för förvaring av mat. Det får inte användas för något annat ändamål.
- Etiketten med de tekniska specifikationerna för produkten är placerad på den inre vänstra delen av kylskåpet.
- Anslut inte kylskåpet till ett elektroniskt energisparsystem, det kan förstöra produkten.
- Om kylskåpet har ett blått ljus ska du inte titta på det blåa ljuset genom optiska enheter.

- Om strömmen kopplas från manuellt styrda kylskåp ska du vänta minst 5 minuter innan strömmen återansluts.
- Om kylskåpet byter ägare ska produktens bruksanvisning följa med kylskåpet till nästa ägare.
- Om kylskåpet flyttas ska du se till att strömsladden inte skadas. Strömsladden får inte vridas, det kan orsaka brand. Placera inte tunga föremål på strömsladden. Vidrör inte i eluttaget med våta händer när kylskåpet ska kopplas in.



- Anslut inte kylskåpet till ett eluttag som sitter löst.
- Skvätt inte vatten direkt på eluttaget eller inre delar på kylskåpet.
- Spreja inte lättantändliga material, t.ex. propangas, nära kylskåpet, det kan orsaka brand eller explosion.
- Placera inte vätskefyllda föremål ovanpå kylskåpet, det kan orsaka elstötar eller brand.
- Fyll inte kylskåpet med för mycket mat. Om du fyller kylskåpet för fullt kan mat ramla ut när dörren öppnas vilket kan orsaka skador på person eller kylskåp. Placera inte föremål ovanpå kylskåpet, de kan falla ner när kylskåpsdörren öppnas eller stängs.
- Material som kräver vissa temperaturförhållanden, t.ex. vaccin, temperaturkänsliga mediciner, forskningsmaterial, ska inte förvaras i det här kylskåpet.

- Om kylskåpet inte ska användas under en längre tidsperiod ska det kopplas från elen. Problem med isoleringen på strömsladden kan orsaka brand.
- Toppen på elkontakten ska rengöras regelbundet, annars kan den orsaka brand.
- Kylskåpet kan röra på sig om de justerbara fötterna inte är ordentligt positionerade på golvet. Med de justerbara fötterna kan du se till att kylskåpet är ordentligt placerat på golvet.
- Om kylskåpet har ett dörrhandtag ska du inte dra i det när du flyttar produkten, det kan göra att handtaget går sönder.
- Om du ska använda apparaten i närheten av ett annat kylskåp eller en frys ska avståndet mellan apparaterna vara minst 8 cm, annars kan det uppstå kondens på sidorna som är vända mot varandra.
- Vattentrycket får inte ligga under 1 bar. Vattentrycket får inte ligga över 8 bar.
- Använd bara drickbart vatten.

Barnsäkerhet

- Om dörren har ett lås ska nyckeln hållas borta från barn.
- Små barn bör övervakas så att de inte leker med enheten.

HCA-Varning

Om din produkt är utrustad med ett kylsystem som innehåller

R600a:

Den här gasen är lättantändlig. Var därför noggrann så att du inte skadar kylsystemet och rören under användning och transport. Om det

skulle uppstå någon skada skall produkten hållas borta från potentiella eldkällor som kan göra att produkten fattar eld och du ska ventilerat rummet där enheten är placerad.

Ignorera varningen om din produkt är utrustad med ett kylsystem som innehåller R134a.

Du kan se gasen som används i produkten på märkplåten som är placerad invändigt i den.

Elda aldrig upp produkten.

Saker att göra för att spara energi

- Låt inte dörrarna till kylskåpet stå öppna under en längre tid.
- Placera inte varm mat eller varma drycker i kylskåpet.
- Överbelasta inte kylskåpet så att luften inuti det påverkas.
- Installera inte kylskåpet i direkt solljus eller nära värmeavströmmande enheter såsom ugn, diskmaskin eller element.
- Observera att mat ska förvaras i tillslutna behållare.
- Maximal mängd mat kan placeras i kylskåpets frysfak när frysfacket eller lådan är utdragen. Deklarerat energiförbrukningsvärde för kylskåpet fastställdes när frysfackets hylla eller låda hade tagits bort och under påfyllning av maximal mängd mat. Det finns ingen risk vid användning av hylla eller låda enligt formerna och storleken på maten som ska frysas.

3 Installation

⚠ Kom ihåg att tillverkaren inte skall hållas ansvarig om användaren underlåter att observerar något i den här bruksanvisningen.

Saker att tänka på vid transport av kylskåpet

1. Kylskåpet måste vara tomt och rent före transport.
2. Hyllor, tillbehör, grönsakslåda etc i kylskåpet måste spännas fast ordentligt med självhäftande tejp före ompacketering.
3. Förpackningen måste fästas ihop med tjock tejp och starka rep och de transportregler som anges på förpackningen måste följas.

Kom ihåg följande...

Varje återvunnet material är en ovärderlig källa för naturen och för våra nationella resurser.

Om du vill bidra till återvinningen av förpackningsmaterial kan du hämta ytterligare information från våra miljöorgan eller lokala myndigheter.

Innan du använder kylskåpet

Kontrollera följande innan du startar kylskåpet:

1. Är kylskåpets insida torr och kan luften cirkulera fritt bakom det?
2. För in 2 plastklämmor mellan kablarna på kondensorn så som visas på följande bild. Plastklämmorna ger rätt avstånd mellan kylskåpet och väggen för att tillåta luften att cirkulera. (Bilden som visas är bara ett exempel och överensstämmer inte exakt med din produkt.)

3. Rengör kylskåpets insida enligt rekommendationerna i avsnittet "Underhåll och rengöring".
4. Koppla in kylskåpet i vägguttaget. När dörren öppnas kommer den invändiga belysningen att tändas.
5. Du kommer att höra ett bullrande ljud när kompressorn startar. Vätska och gas inne i kylskåpet kan också ge upphov till ljud, även om kompressorn inte körs och detta är helt normalt.
6. De främre kanterna på kylskåpet kan kännas varma. Detta är normalt. De här områdena är utformade för att bli varma och därmed undvika kondens.

Elektrisk anslutning

Anslut produkten till ett jordat uttag som skyddas av en säkring med lämplig kapacitet.

Viktigt

- Anslutningen måste ske i enlighet med nationell lagstiftning.
- Strömkabelns kontakt måste vara lätt att komma åt efter installationen.
- Den angivna spänningen måste överensstämma med strömkällans spänning.
- Förlängningskablar och grenkontakter får inte användas för anslutningen. En skadad strömkabel måste bytas av en behörig elektriker.

⚠ Produkten får inte användas innan den reparerats! Det finns risk för kortslutning!

Avyttring av förpackningen

Förpackningsmaterial kan vara farligt för barn. Förvara förpackningsmaterialen utom räckhåll för barn eller avyttra dem i enlighet med gällande regler. Avyttra dem inte med hushållsavfallet.

Förpackningsmaterialet för ditt kylskåp produceras av återvinningsbara material.

Avyttring av ditt gamla kylskåp

Avyttra din gamla enhet utan att skada miljön.

- Du kan kontakta en auktoriserad återförsäljare eller ett återvinningscenter angående avyttring av ditt kylskåp.

Innan du avyttrar kylskåpet ska du dra ur strömkontakten och, om det finns några lås på dörren, göra den obrukbar för att förhindra att barn skadar sig.

Byte av innerbelysningens glödlampa

Om lampan slutar fungera, gör du följande.

1- Stäng av vid kontakten och dra ur huvudströmkabeln.

Det kan vara lättare att komma åt om hyllorna tas bort.

2- Använd en platt skruvmejsel för att avlägsna det ljusspridande höljet.

3- Kontrollera först att glödlampan inte har lossnat genom att kontrollera att den är säkert fastskruvad i hållaren.

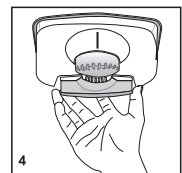
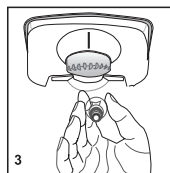
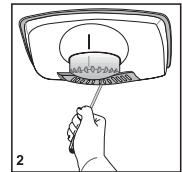
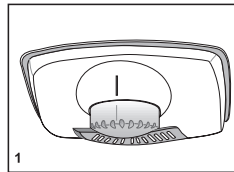
Sätt i kontakten igen och starta enheten.

Om glödlampan fungerar, byt ut lamphöljet genom att infoga den bakre fliken och trycka upp den för att hitta de två främre flikarna.

4- Om lampan fortfarande inte fungerar, stäng vid kontakten och dra ur huvudströmkabeln. Byt ut glödlampan med en ny 15 watts (max) glödlampa med skruvsockel (SES).

5- Kassera sedan försiktigt den utbrända glödlampan omedelbart.

En ny glödlampa kan enkelt hittas hos din lokala återförsäljare av elektroniska produkter.

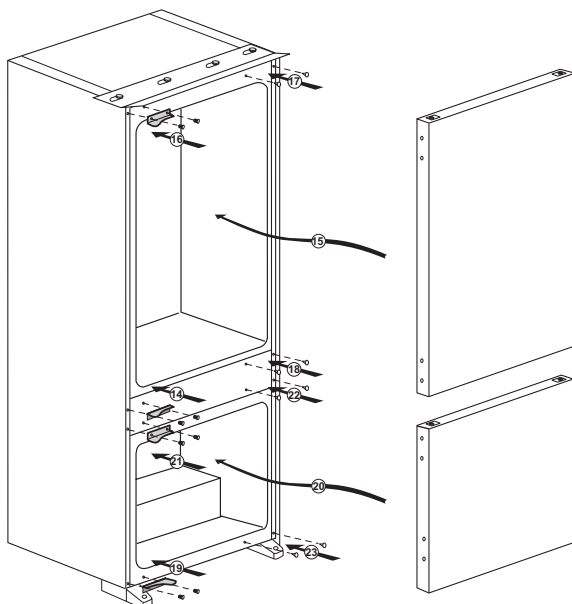
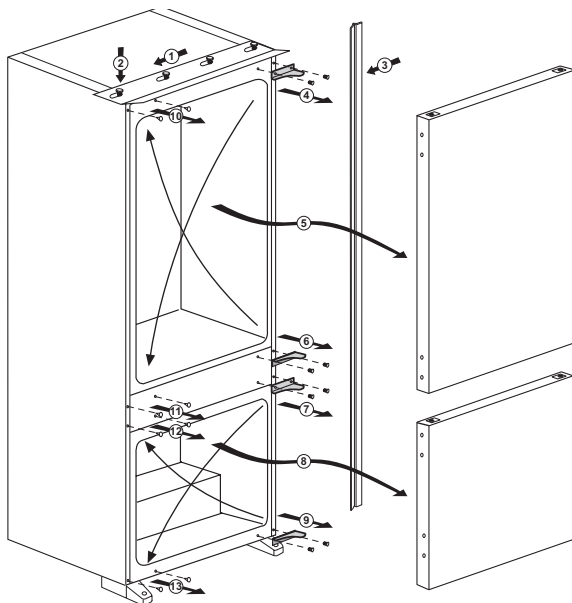


i Den här utrustningen har utformats för att användas i omgivande temperaturer som anges i tabellen nedan och är försedd med Advanced Electronic Temperature Control System [AETCS] som säkerställer att vid rekommenderad inställning [4 - fyra på ratten] tinas inte fryst mat i frysen även om den omgivande temperaturen faller ända ned till -15 °C. Vid första installationen FÅR produkten INTE placeras i en låg, omgivande temperatur, eftersom frysen inte minskar temperaturen till standarddriftstemperatur. Så fort den har uppnått fast användningsstatus kan den inte omlokaliseras. Så du kan sedan installera utrustningen i ett garage eller ett rum utan värme, utan att behöva oroa dig för att fryst mat förstörs i frysen. Om omgivande temperaturer är så låga som nämns ovan är det dock troligt att maten fryser, så kontrollera och använd maten i frysen. När den omgivande temperaturen återgår till normalläge kan du ändra rattinställning för att passa dina behov.

i Om den omgivande temperaturen är lägre än 0°C, fryser maten i kylfacket. Vi rekommenderar att du inte använder kylfacket i så låga omgivande förhållanden. Du kan fortsätta att använda frysfacket som vanligt.

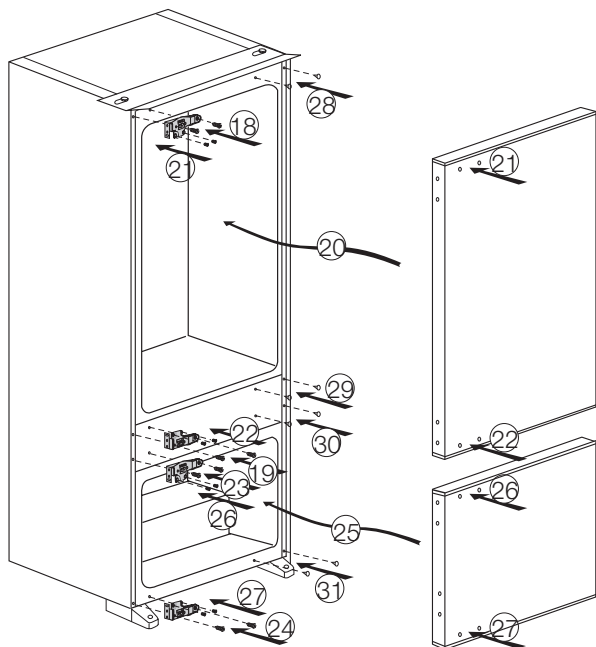
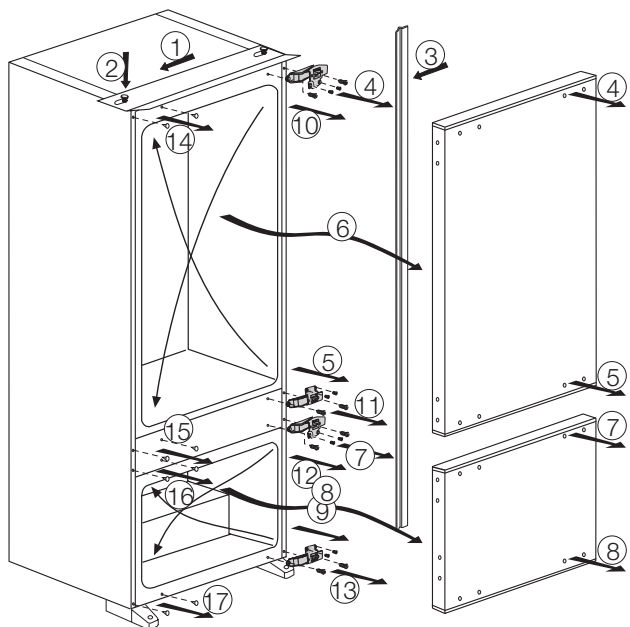
Byte av dörrar

Gå tillväga i nummerordning



Byte av dörrar

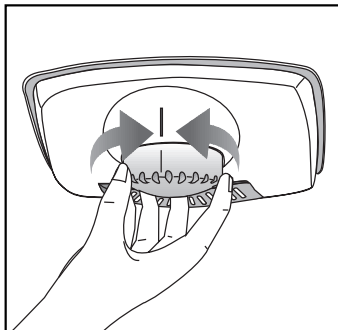
Gå tillväga i nummerordning



4 Förberedelse

- Kylskåpet skall installeras minst 30 cm från värmekällor, såsom spis, ugn och centralvärme och minst 5 cm från elektriska ugnar och får inte placeras i direkt solljus.
- Den omgivande temperaturen i rummet där du installerar kylskåpet skall vara minst 10°C. Användning i kallare miljöer rekommenderas inte och kan minska effektiviteten.
- Se till att kylskåpet är ordentligt rengjort invändigt.
- Om två kylskåp skall installeras intill varandra skall det vara ett avstånd på minst 2 cm från varandra.
- Vid användning av kylskåpet för första gången skall du observera följande anvisningar under de första sex timmarna.
 - Dörren får inte öppnas för ofta.
 - Det måste köras tomt utan mat.
 - Dra inte ur sladden till kylskåpet. Om det inträffar ett strömavbrott som ligger utanför din kontroll, se varningarna i avsnittet "Rekommenderade lösningar på problem".
- Originalförpackning och skumplastmaterial skall sparas för framtida transport.

5 Använda kylskåpet



Termostatinställningsknapp

Kylskåpets invändiga temperatur ändras när följande händer;

- Säsongsvariationer i temperatur,
- Om dörren öppnas ofta och om den står öppen under längre perioder,
- Mat som placeras i kylskåpet och som inte har fått svalna ned till rumstemperatur,
- Kylskåpets placering i rummet (t.ex. exponering för sol).
- Du kan justera den varierande invändiga temperaturen på grund av sådana omgivande förhållanden med termostaten. Nummer runt termostatknappen indikerar köldgrader.
- Om den omgivande temperaturen är högre än 32 °C, så ska termostatknappen vridas till maxposition.
- Om den omgivande temperaturen är lägre än 25 °C, så ska termostatknappen vridas till miniposition.

Avfrostning

Kylfack

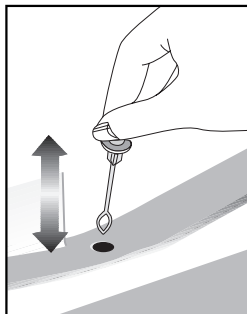
Frysfacket utför helautomatisk avfrostning. Vattnet droppar av och en avfrostning på upp till 7-8 mm kan inträffa på kylskåpets innervägg när kylskåpet svalnar ned. Sådan formation är normal och ett resultat av kylsystemet. Frostformationen försvinner genom att utföra automatisk avfrostning med jämna intervaller, tack vare det automatiska avfrostningssystemet på väggens baksida. Användaren behöver inte skrapa bort frosten eller avlägsna vattendropparna.

Vatten till följd av avfrostningsprocessen passerar genom vattenbehållarskåran och överförs till avdunstningsapparaten genom dräneringsröret för att förångas där.

Kontrollera regelbundet om dräneringsröret är igensatt eller inte och rensa det genom att föra in en sticka i hålet vid behov.

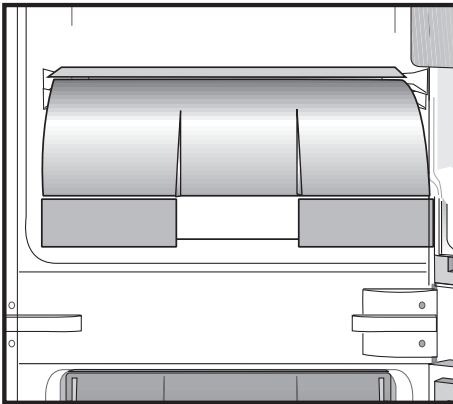
Djupfrysfacket utför inte automatisk avfrostning för att förhindra att fryst mat skadas.

Frysfacket avfrostas automatiskt.



Nolltemperaturfack

Det här facket har utformats för att lagra fryst mat som ska tinas långsamt (kött, fisk, kyckling etc) enligt behov. Nolltemperaturfacket är den kallaste platsen i kylskåpet, där mejeriprodukter (ost, smör), kött, fisk och kyckling kan förvaras i perfekta förhållanden. Grönsaker och/eller frukt får inte placeras i det här facket.



6 Underhåll och rengöring

- ⚠ Använd aldrig bensin, bensen eller liknande ämnen för rengöring.
- ⚠ Vi rekommenderar att du kopplar ur utrustningen före rengöring.
- Använd aldrig vassa instrument eller slipande medel, tvål, rengöringsmedel, tvättmedel eller polish för rengöring.
- Använd ljummet vatten för rengöring av enhetens skåp och torka det torrt.
- Använd en fuktig trasa urvriden i en lösning av en tesked bikarbonatsoda till en halv liter vatten, torka ur interiören och torka sedan torrt.
- Se till att inget vatten tränger in i lampkåpan och i andra elektriska tillbehör.
- Om enheten inte kommer att användas under en längre tid, stäng då av den, plocka ur all mat, rengör den och lämna dörren på glänt.
- Kontrollera dörrtätningen regelbundet så att den är ren och fri från matrester.
- För att ta bort ett dörrfack tar du först ur allt innehåll och trycker sedan enkelt upp det från sitt fäste.

Skydd av plastytor

- Förvara inte rinnande olja eller mat som har tillagats i olja utan att vara tillslutna i kylskåpet, eftersom det kan skada kylskåpets plastytor. Om du spillar olja på plasten, rengör och skölj ytan direkt med varmvatten.

7 Rekommenderade lösningar på problem

Titta igenom listan innan du tillkallar service. Det kan spara både tid och pengar. Den här listan inkluderar vanliga klagomål som inte uppstår till följd av defekter i tillverkningen eller materialanvändningen. Vissa av funktionerna som beskrivs här kanske inte finns på din produkt.

Kylen fungerar inte

- Är kylskåpet korrekt inkopplat? Sätt i vägguttaget.
- Har säkring som är ansluten till kylskåpet gått? Kontrollera säkringen.

Kondens på kylskåpets sidoväggar.

- Mycket kalla omgivande förhållanden. Dörren öppnas och stängs ofta. Hög luftfuktighet i den omgivande luften. Lagring av mat med vätska i öppna behållare. Dörren har lämnats öppen.
- Vrid termostaten till ett kallare läge.
- Minska tiden som dörren lämnas öppen eller öppna inte så ofta.
-

Täck över mat som lagras i öppna behållare med ett lämpligt material. Torka av kondens med en torr trasa och kontrollera om den ligger kvar.

Kompressorn går inte

- Det termiska skyddet i kompressorn kommer att lösas ut vid plötsliga strömavbrott då kylskåpets tryck i kylsystemet inte har balanserats. Ditt kylskåp startar efter omkring 6 minuter. Tillkalla service om kylskåpet inte startar i slutet av den här perioden.
- Frysaren är i avfrostningsläge. Det här är normalt för en helautomatiskt avfrostande kyl. Avfrostningscykeln inträffar regelbundet.
- Kylskåpet är inte inkopplat i strömkällan. Se till att kontakten sitter ordentligt i vägguttaget.
- Är temperaturinställningen korrekt?
- Det är strömavbrott. Kontakta din elleverantör.

Kylskåpet körs ofta eller under en längre tid.

- Ditt nya kylskåp kan vara bredare än det gamla. Detta är helt normalt. Stora kylskåp arbetar under en längre tidsperiod.
- Den omgivande rumstemperaturen kan vara hög. Detta är helt normalt.
- Kylskåpet kan ha varit inkopplat nyligen eller ha fyllts på med mat. Det kan ta flera timmar innan kylskåpet har kylts ned helt.
- Stora mängder mat kanske har placerats i kylskåpet nyligen. Varm mat gör att kylskåpet arbetar längre för att uppnå önskad temperatur.
- Dörren kanske har öppnats ofta eller lämnats öppen under en längre tid. Den varma luften som har kommit in i kylskåpet gör att kylskåpet arbetar under längre perioder. Öppna inte dörrarna så ofta.
- Frysaren eller kylfackets dörr kanske har lämnats öppen. Kontrollera om dörren är ordentligt stängd.

Kylskåpet körs ofta eller under en längre tid.

- Kylskåpet är inställt på en mycket kall nivå. Justera kylskåpstemperaturen till en högre nivå tills temperaturen är enligt önskemål.
- Dörrens tätning på kyl eller frys kan vara sliten, smutsig eller trasig. Rengör eller byt tätningen. Skadade tätningar kan göra att kylskåpet körs under en längre tid för att bibehålla den aktuella temperaturen.

Frystemperaturen är mycket låg när kyltemperaturen är normal.

- Frysens temperatur är inställd på en mycket kall nivå. Justera frystemperaturen till en högre nivå och kontrollera.

Kyltemperaturen är mycket låg när frystemperaturen är normal.

- Kylens temperatur är inställd på en mycket kall nivå. Justera kyltemperaturen till en högre nivå.

Mat som förvaras i kylskåpsfacken fryser.

- Kylens temperatur är inställd på en mycket kall nivå. Justera kyltemperaturen till en högre nivå.

Temperaturen i kylan eller frysen är mycket hög.

- Kylens temperatur är inställd på en mycket kall nivå. Kylinställningen påverkar frysens temperatur. Sänk temperaturen för kyl eller frys tills den ligger på acceptabel nivå.
- Dörren kanske har öppnats ofta eller lämnats öppen under en längre tid. Varm luft passerar in i kyl eller frys när dörrarna öppnas. Öppna inte dörrarna så ofta.
- Dörren kan ha lämnats öppen. Stäng dörren helt.
- Stora mängder mat kanske har placerats i kylskåpet nyligen. Vänta tills kylan eller frysen uppnår önskad temperatur.
- Kylskåpet kanske nyligen har varit urkopplat. Nedkyllningen kan ta tid.

Kylskåpet dånar när det går.

- Egenskaperna hos kylskåpet kan ändras enligt den omgivande temperaturen. Detta är normalt och inte något fel.

Vibrationer eller felbalans.

- Golvet är ojämnt eller svagt. Kylskåpet skakar när det rör sig långsamt. Säkerställ att golvet är rakt, kraftigt och att det klarar tyngden från kylskåpet.
- Ljudet kan orsakas av saker som ligger ovanpå kylan. Sådana saker ska plockas bort från kylens ovansida.

Det förekommer ljud som låter som dropp eller sprutning.

- Vätske- och gasflöden sker i enlighet med användningsprinciperna för ditt kylskåp. Detta är normalt och inte något fel.

Det förekommer ljud som låter som vind.

- Luftaktivatorer (fläktar) används för att låta kylan svalna effektivt. Detta är normalt och inte något fel.

Kondens på innerväggarna i kylskåpet.

- Varmt och fuktigt väder ökar isbildning och kondens. Detta är normalt och inte något fel.
- Dörrarna är öppna. Kontrollera att dörren är helt stängd.
- Dörrarna kan ha öppnats mycket ofta eller så kanske de har lämnats öppna under lång tid. Öppna inte dörrarna så ofta.
- Vatten/fukt/is på kylskåpets utsida.

Fukt bildas på kylskåpets utsida eller mellan dörrarna.

- Vädet kan vara fuktigt. Det här är helt normalt vid fuktig väderlek. När fuktnivån är lägre försvinner kondensen.

Dålig lukt inne i kylan.

- Kylskåpets insida måste rengöras. Rengör kylskåpets insida med en svamp och varmt vatten.
- Vissa behållare eller förpackningsmaterial kan orsaka lukt. Använd en annan behållare eller olika förpackningsmaterial.

Dörrarna går inte att stänga.

- De kan vara finnas mat i vägen. Byt ut förpackningarna som ligger ivägen för dörren.
- Kylskåpet står antagligen inte helt plant på golvet och de kanske rär sig något när det förflyttas. Justera lyftskruvarna.
- Golvet är inte helt plant eller tillräckligt starkt. Säkerställ att golvet är rakt, kraftigt och att det klarar tyngden från kylskåpet.

Grönsaker fastnar.

- Maten kanske vidrör taket i lådan. Sortera om maten i facket.

请首先阅读本手册！

亲爱的顾客，

我们的产品使用先进设备生产，并通过严格的质量控制步骤检测，希望为您提供高效的服务。

因此，建议您在**使用本产品前仔细阅读本手册，并妥善保管，以备日后参考。**

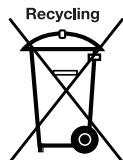
本手册

- 帮助您快速、安全地使用本装置。
 - 安装和操作本产品前，阅读本手册。
 - 遵循说明，尤其是安全方面。
 - 将手册置于触手可及之处，以便随时参考。
 - 此外，也请阅读本产品附带的其它文件。
- 请注意，本手册可能也适用于其它型号。

符号及其说明

本手册包含下列符号：

- ❗ 重要信息或者有用的使用提示。
- ⚠ 防止生命和财产危险的警告
- ⚡ 电压警告。



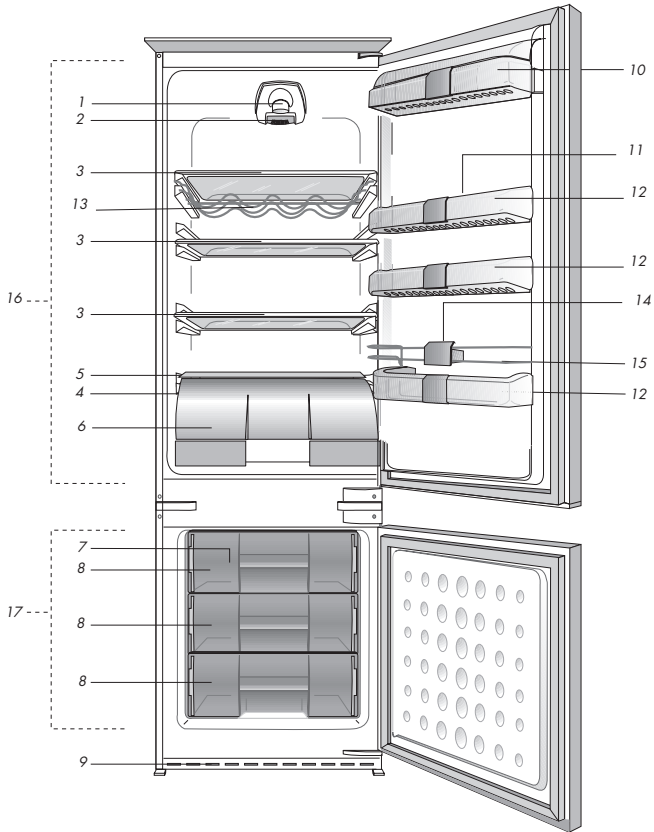
本产品带有报废电子电器设备（WEEE）的选择性分类符号。

这意味着，本产品必须根据欧洲指令 2002/96/EC 进行处置，以便进行回收或拆解，使其对环境的影响降到最低。欲获取详细信息，请与当地或地区的权利机构联系。

没有包含在选择分类过程中的电子产品由于危险物质的存在，可能对环境 and 人类健康带来威胁。

1 您的冰箱	3	4 准备	10
2 警告	4	冰箱的安装位置距离热源（例如，炉圈、烤箱、中央加热器和炉灶）至少 30 cm，距离电烤箱至少 5 cm，且不得受到阳光直射。	10
一般安全性.....	4		
4 启动.....	5		
5 如果家中有儿童.....	5	5 使用冰箱	11
5 指定使用.....	5	调温器设置按钮.....	11
5 安全须知.....	5	除霜.....	11
5 节能措施.....	5	零温度储藏室.....	12
		6 维护和清洁	13
3 安装	6	保护塑料表面.....	13
准备.....	6	7 问题解决建议	14
再次运输冰箱时考虑的事项.....	6		
6 操作冰箱前.....	7		
7 电气连接.....	7		
7 处置包装.....	7		
7 处置旧冰箱.....	8		
8 更换内部的灯泡.....	8		
8 反转冰箱门.....	9		

1 您的冰箱



- | | |
|------------------|-------------|
| 1. 内部的灯 | 9. 空气烤架 |
| 2. 调温器旋钮 | 10. 乳制品储藏室 |
| 3. 可调支架 | 11. 蛋托 |
| 4. 解冻水收集通道 - 排水管 | 12. 可调冰箱门搁架 |
| 5. 果蔬盖 | 13. 瓶架 |
| 6. 0 ° C 储藏室 | 14. 扶瓶托 |
| 7. 冰块盒 | 15. 铁丝瓶架 |
| 8. 冷冻室 | 16. 冷藏室 |
| | 17. 冷冻室 |

① 本手册中的图片仅为示意性质，可能与您的产品不完全相符。如果主体零件没有包含在您购买的产品当中，表明其适用于其它型号。

2 警告

请遵循下列信息。否则，可能发生人身伤害或财产损失。且所有的保修和可靠性承诺将失效。

本装置的使用寿命为 10 年。这是保留本装置正常操作所需备件的限制。

般安全性

- 您想要处置/废弃本产品时，我们建议您咨询授权服务机构，以便了解必要的信息和授权机构。
- 对于与冰箱有关的所有问题和疑问，请咨询授权服务机构。在没有通知授权服务机构前，请勿自行干预或者让他人干预冰箱。
- 请勿立即食用从冷冻室中取出的锥形冰淇淋和方块冰。（这可能导致您的口腔冻伤。）
- 请勿将瓶装和灌装液体饮料放在冷冻室。否则，其可能爆裂。
- 请勿用手接触冷冻食物；其可能粘到您的手上。
- 切勿在冰箱清洁和除霜过程中使用蒸汽和气化清洁材料。此类情况下，蒸汽可能与电气零件接触，导致短路或触电。
- 请勿使用冰箱上的零件，例如，将冰箱门作为支撑或梯子。
- 请勿使用冰箱内的电气装置。
- 请勿使用钻孔或切割工具损坏制冷回路，制冷剂在这里循环。在蒸发器的气体通道、管道扩充件或者表面涂层被刺穿后，制冷剂可能流出，导致皮肤受到刺激和眼睛受伤。
- 请勿使用任何材料，覆盖或堵塞冰箱的通风孔。
- 电气设施的维修必须由具备资历的人员实施。无资质人员实施的维修可能给用户带来危险。
- 如果发生任何故障，或者在实施维护或维修作业的过程中，应当通过关闭相关保险丝或者拔下插头，断开冰箱的电源。
- 拔下插头时，请勿拉拔电缆。
- 放置饮料时，注意盖牢瓶盖，且垂直放置。
- 切勿在本装置内放置含有易燃气体（例如，喷雾）以及爆炸性材料的易燃物品或产品。
- 请勿使用机械装置或者其它手段，加速除霜过程，除非制造商建议这样做。

- 本装置并非设计供体力、感知力或脑力下降或经验和知识缺乏的人士（包括孩子）使用，除非有负责他们安全的人员给出有关装置之使用的监督或指导。
- 应当照管儿童，确保他们不会摆弄本装置。

启动

- 请勿操作受损的冰箱。如果您有任何疑问，请咨询服务机构。
- 只有您家中的接地系统符合标准时，才能担保冰箱的电气安全。

如果家中有儿童...

- 请勿允许儿童摆弄冰箱。他们可能受伤或者导致冰箱受损。（例如，请勿允许儿童倚在冰箱门上。）

指定使用

- 本产品设计供家庭使用。
- 其不得在户外使用。即使覆盖有屋顶，也不适合在户外使用。

安全须知

- 本产品淋雨、落雪、受到阳光照射和风吹在电气安全方面是危险的。
- 在电源线等损坏时，请致电授权服务中心，以确保不会为您招致任何危险。
- **小心：** 安装过程中，切勿将冰箱的插头插入壁式插座。否则，可能出现严重的人身伤亡。

节能措施

- ❗ 请勿长时间敞开冰箱门。
- ❗ 请勿在冰箱内放置灼热的食物或饮料。
- ❗ 冰箱不可过载，以致妨碍内部的空气循环。
- ❗ 请勿在受到阳光直射或者靠近发热装置（例如，烤箱、洗碗机或暖气）的位置安装冰箱。
- ❗ 注意在封闭的容器内保存食品。

3 安装

⚠ 请注意，如果没有遵循本手册中的信息，制造商对于发生的损害不承担任何责任。

准备

- 冰箱的安装位置距离热源（例如，炉圈、烤箱、中央加热器和炉灶）至少 30 cm，距离电烤箱至少 5 cm，且不得受到阳光直射。
- 安装冰箱的房间温度至少为 10° C 考虑到冰箱的效率，不建议在比这凉爽的条件下操作冰箱。
- 请务必彻底清洁冰箱的内部。
- 如果并排安装两台冰箱，必须至少间隔 2 cm。
- 初次操作冰箱时，在最初的六个小时内，请遵循下列说明。
 - 不应经常打开冰箱门。
 - 必须在里面没有任何食物时空置操作。
 - 请勿拔下冰箱的插头。如果发生的电力故障不在您控制范围内，请参见“问题解决建议”章节中的警告。
- 应当妥善保管原始包装和泡沫材料，以备日后运输或移动。

再次运输冰箱时考虑的事项

1. 在任何运输前，冰箱必须清空和保持清洁。
2. 重新包装前，冰箱内的搁板、附件、新鲜蔬菜保存盒等必须用胶带牢牢固定，防止摇晃。
3. 包装必须使用厚胶带和粗大的绳子扎紧，并遵循包装上印刷的运输规则。

请记住...

每种回收材料对于大自然和我们国家的资源而言都是不可缺少的。

如果您希望对回收包装材料有所作为，可以从环境机构或者当地权力部门获取详细信息。

操作冰箱前

开始使用冰箱前，检查下列内容：

1. 冰箱内部是否干燥，和空气能否在冰箱后面自由流通？
2. 如下图所示，在后部通风口插入 2 个塑料楔子。塑料楔子将在冰箱与墙壁之间提供必要的距离，以允许空气流通。
3. 按照“维护和清洁”章节中的建议，清洁冰箱内部。
4. 将冰箱插头插入壁式插座。冷藏室门打开时，内部相关的灯会亮起。
5. 在压缩机启动时，您将听到一个声音。即使压缩机没有运转，制冷系统中密封的液体和气体也可能产生噪声，这是正常的。
6. 可能感觉到冰箱的前边温度升高。这是正常的。这些区域设计保持温暖，以免发生冷凝。

电气连接

将本品连接至由适当容量之保险丝保护的接地插座。

重要信息：

- 连接必须符合国家规定。
- 安装后，电源线插头必须触手可及。
- 电压和允许的保险丝保护在“规格”章节中指定。
- 指定的电压必须等于电源电压。
- 连接时，请勿使用扩充电缆和多路插头。
受损的电源线必须由具备资格的电工更换。

⚠ 本品在维修妥当前，切勿操作！有触电的危险！

处置包装

包装材料可能给儿童带来危险。将包装材料置于儿童不可及之处，或者根据垃圾说明进行分类和处置。请勿随日常生活垃圾一起处置。

冰箱的包装使用可回收材料制成。

处置旧冰箱

处置旧冰箱时，请不要给环境带来任何危害。

- 有关冰箱的处置，您可以咨询授权经销商或者市政部门的垃圾收集中心。

处置冰箱前，请切断电源插头，而且，如果门上有锁的话，请务必使之不可用，以免儿童有任何危险。

❗ 本装置设计在下表中指定的温度下工作，其配备有先进的电子温度控制系统 [AETCS]，确保在建议的设置[旋钮上的 4-四]，即使环境温度下降低于 -15°C ，冷冻室内的冷冻食物也不会解冻。初次安装时，本产品切勿放置在低温环境中，否则，冷冻室将不会下降至标准的工作温度。一旦达到稳定的工作状态，其可以放置到新位置。所以，您之后可以将该装置安装到车库或者无采暖的房间，而不必担心冷冻室内的冷冻食物会变质。但是，在上面提到的低温环境中，冷藏室中的食物很可能冻结，所以，应相应检查冷藏室中的食物，并尽早食用。环境温度恢复正常时，您可以修改旋钮设置，以满足自身需要。

❗ 如果环境温度低于 0°C ，冷藏室中的食物将冻结。所以，我们建议在此类环境条件下不要使用冷藏室。您可以像往常那样，继续使用冷冻室。

更换内部的灯泡

如果灯泡不工作，采取下列措施。

1- 关闭插座，并拔下电源插头。

为了便于接近灯泡，可以拆下搁架。

2- 使用平头螺丝刀拆下灯光扩散器罩。

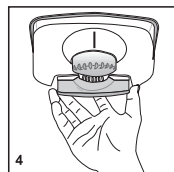
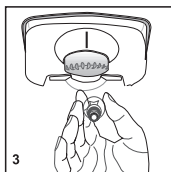
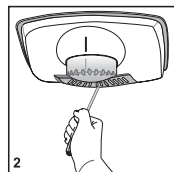
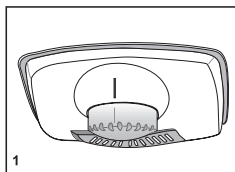
3- 首先，通过确保灯泡牢牢旋在灯座中，确定其没有松脱。插上插头，并接通电源。

如果灯泡亮起，通过插入后面的接线片，并向上推，放置前面的两个接线片，放回灯罩。

4- 如果灯泡仍没有亮起，关闭插座，并拔下电源插头。更换上新的 15 瓦（最大）螺旋盖（SES）灯泡。

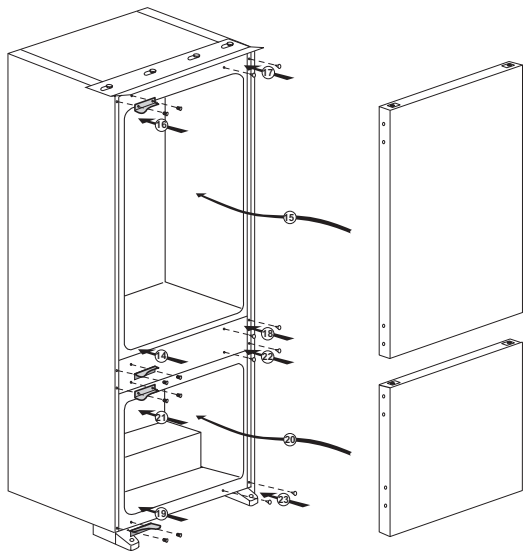
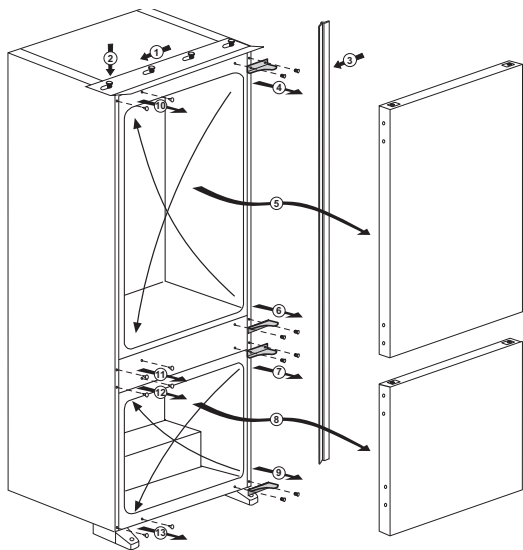
5- 仔细地立即处置烧坏的灯泡。

新灯泡可以很容易从当地的设备商店或者 DIY 店铺购得。



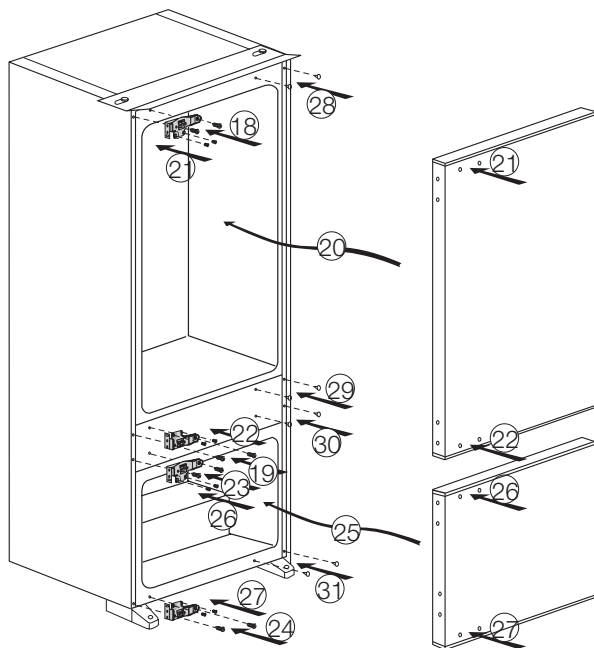
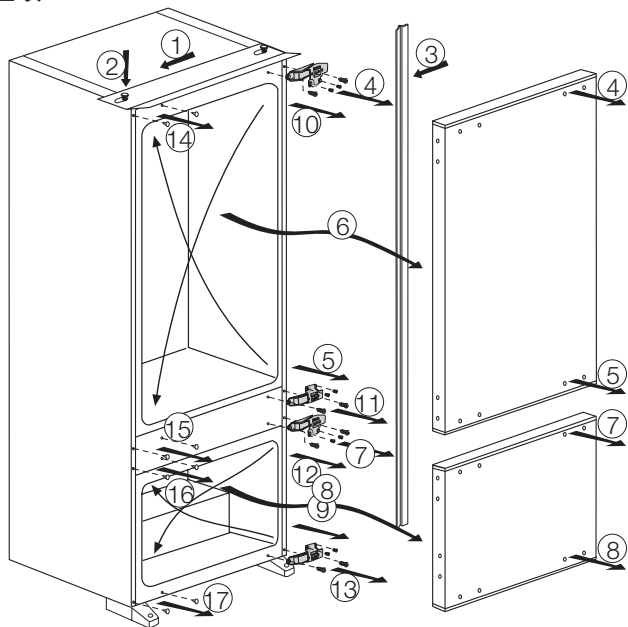
反转冰箱门

按数字顺序继续



反转冰箱门

按数字顺序继续



4 准备

冰箱的安装位置距离热源（例如，炉圈、烤箱、中央加热器和炉灶）至少 30 cm，距离电烤箱至少 5 cm，且不得受到阳光直射。

- 安装冰箱的房间温度至少为 10 °C。考虑到冰箱的效率，不建议在比这凉爽的条件下操作冰箱。

- 请务必彻底清洁冰箱的内部。

- 如果并排安装两台冰箱，必须至少间隔 2 cm。

- 初次操作冰箱时，在最初的六个小时内，请遵循下列说明。

- 不应经常打开冰箱门。

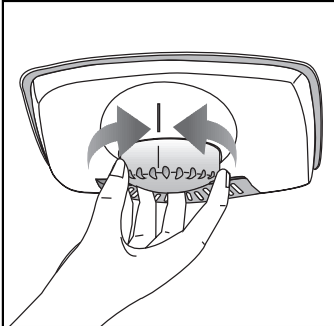
- 必须在里面没有任何食物时空置操作。

- 请勿拔下冰箱的插头。

如果发生的电力故障不在您控制范围内，请参见“问题解决建议”章节中的警告。

- 应当妥善保管原始包装和泡沫材料，以备日后运输或移动。

5 使用冰箱



调温器设置按钮

冰箱内部的温度会由于下列因素发生变动:

- 季节温度
- 经常打开和长时间敞开冰箱门
- 放入冰箱的食物没有提前冷却到室温
- 冰箱在房间内的位置（例如，受到阳光照射）。
- 您可以使用调温器，调整内部温度由于此类因素发生的变化。调温器周围的数字表示制冷程度。
- 如果环境温度高于 32°C，将调温器按钮旋转到最大位置。
- 如果环境温度低于 25°C，将调温器按钮旋转到最小位置。

除霜

冷藏室

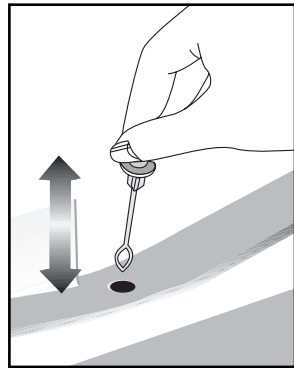
冷藏室执行全自动除霜。冰箱制冷时，冷藏室内部的后壁可能出现水滴和最大 7-8 mm 的霜花。这是制冷系统导致的，属正常现象。由于后壁配备有全自动除霜系统，所以，在特定的间隔，将执行全自动除霜，消除结霜现象。用户不需要刮擦霜花或者去除水滴。

除霜产生的水流过集水槽，通过排水管流进蒸发器，并在这里自行挥发。

定期检查排水管是否堵塞，并在必要时，用小棒通过孔疏通之。

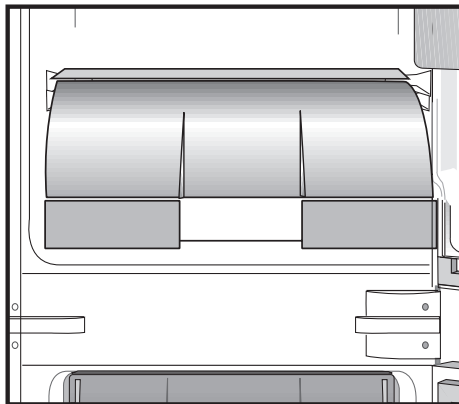
深冷冻室不执行自动除霜，以防止冷冻食物变质。

冷冻室自动除霜。



零温度储藏室

这里设计用于存放将根据要求缓慢解冻或者不实施冷冻的冷冻食物（肉、鱼、鸡等），以便在短时间过后以更好、更健康的状态食用。请勿放置乳制品或者类似不需要冷冻的食物，这里是冷藏室最冷的位置。



6 维护和清洁

- △ 清洁时，切勿使用汽油、苯或类似物质。
- △ 我们建议您您在清洁前，拔下本装置的插头。
 - 清洁时，切勿使用任何锋利的研磨器具，肥皂、家用清洁剂、洗涤剂 and 蜡光剂。
 - 使用温水清洁冰箱的外壳，并擦干。
 - 在一品脱水中放入一茶匙小苏打，使用这一溶液清洗抹布，用绞干的抹布清洁冰箱内部，并擦干。
 - 确保没有水进入灯罩和其它电气零件。
 - 如果长时间不使用冰箱，拔下电源线，取出所有食物，清洁之，并使冰箱门微开。
 - 定期检查门密封情况，确保其清洁，和没有食品颗粒。
 - 若要拆卸门架，取出所有内容物，然后简单地从底部向上推门架即可。

保护塑料表面

- 请勿将非密封容器中盛放的液体油或者用油烹饪的食物放入冰箱，这类食物可能损坏冰箱的塑料表面。如果食用油喷溅或者涂抹在塑料表面上，立即用温水，清洁和洗涤表面的相关部分。

7 问题解决建议

致电服务机构前，请审核该清单。其可能节约您的时间和资金。该清单包含经常出现的、并非工艺和材料使用缺陷导致之投诉。**这里描述的某些特点可能不会在您的产品中出现。**

投诉	可能的原因	解决方案
冰箱不工作	冰箱插头是否适当插入？	在壁式插座插入插头。
	冰箱连接的插座之保险丝或者主保险丝是否熔断？	检查保险丝。
冷藏室的侧壁出现冷凝水。	环境条件很冷。经常打开和关闭冰箱门。环境条件高度潮湿。在敞开的容器中存放含有液体的食物。冰箱门未关严。	将自动调温器切换为更冷的程度。减少冰箱门打开的时间，或者减少使用频率。使用合适的材料，覆盖保存在开口容器中的食物。使用干抹布擦拭冷凝水，请检查冷凝水是否再次出现。
压缩机不工作	在突然断电或者拔下和插入接头时，由于冰箱制冷系统中的冷没压力尚未平衡，所以，压缩机的保护热将会吹出。	冰箱大约在 6 分钟后开始运行。在该时间结束后，如果冰箱仍未启动，请致电服务机构。
	冰箱处于解冻循环。	对于全自动解冻冰箱而言，这是正常的。定期发生解冻循环。
	冰箱插头没有插入插座。	确保插头牢牢插入壁式插座。
	是否正确调整了温度？	
	有电力故障。	请致电电力供应商。
冰箱经常运行或者运行较长时间。	您的冰箱可能比之前的冰箱宽。	这是很正常的。较大的冰箱需要工作较长的时间。
	环境温度可能很高。	这是很正常的。
	冰箱插头可能插入不久，或者新近装入了食物。	冰箱完全制冷可能需要多花费数小时时间。
	最近可能在冰箱中放入了大量灼热食物。	灼热的食物导致冰箱运行较长时间，直至达到安全的储存温度。
	冰箱门可能经常打开，或者长时间未关严。	进入冰箱的热空气导致冰箱运行较长时间。减少打开冰箱门的次数。
	冷冻室或者冷藏室的门可能没有关严。	检查门是否牢牢关闭。

投诉	可能的原因	解决方案
冰箱经常运行或者运行较长时间。	冰箱调整为很低的温度。	调高冰箱的温度，并等待直至达到这一温度。
	冷藏室或冷冻室的门密封可能脏污、磨损，断裂或者没有适当固定好。	清洁或更换密封。损坏/断裂的密封导致冰箱运行较长的时间，才能保持当前的温度。
温度太低		
冷藏温度很低。	冷藏室调整为很低的温度。	调高冷藏室的温度，并检查。
在冷藏室保存的食物上冻。	冷藏室调整为很低的温度。	调高冷藏室的温度，并检查。
温度太高		
冷藏室或者冷冻室的温度很高。	冷藏室调整为很高的温度。冷藏室调整对冷冻室的温度有影响。	变更冷藏室或冷冻室的温度，直至冷藏室或冷冻室的温度达到充分的水平。
	冰箱门可能经常打开，或者长时间未关严。	在冰箱门打开时，热空气进入冷藏室或冷冻室。减少打开冰箱门的次数。
	冰箱门可能未关严。	完全关闭冰箱门。
	最近可能在冰箱中放入了大量灼热食物。	等待直至冷藏室或冷冻室达到必要的温度。
	冰箱可能插入插头不久。	由于尺寸庞大，所以，冰箱完全制冷需要一些时间。

投诉	可能的原因	解决方案
噪声		
冰箱工作时，噪声增加。	冰箱的操作性能特征可能会视环境温度变化而有所不同。	这是正常的，并非故障。
振动或噪声。	地面不平坦或者不牢固。冰箱在缓慢移动时，会摇晃。	确保地面水平、牢固，并能够承载冰箱。
	噪声可能是由于放在冰箱上的物品导致的。	应当从冰箱顶部取下此类物品。
有类似液体喷溅或者喷射的噪音。	根据冰箱的操作原理，发生了液体和气体流动。	这是正常的，并非故障。
有类似风吹的噪声。	为了使冰箱高效制冷，使用了气动执行器件（风机）。	这是正常的，并非故障。
冰箱内出现水/冷凝水/冰。		
冰箱内壁出现冷凝水。	炎热和潮湿的天气增加了结冰和冷凝情况。	这是正常的，并非故障。
	冰箱门未关严。	确保冰箱门完全关闭。
	冰箱门可能打开次数过多，或者长时间没有关闭。	减少打开冰箱门的次数。
冰箱外面出现水/冷凝水/冰。		
冰箱外面或者冰箱门之间有湿气。	天气可能很潮湿。	在潮湿的天气中，这是很正常的。在湿度下降时，冷凝水会消失。
冰箱内出现异味。	必须清洁冰箱内部。	用海绵蘸取温水或者苏打水，清洁冰箱内部。
	某些容器或者包装材料可能导致出现异味。	使用不同的容器或者不同品牌的包装材料。

投诉	可能的原因	解决方案
打开和关闭冰箱门		
冰箱门未关闭。	食品包装可能妨碍关闭冰箱门。	更换妨碍关闭冰箱门的包装。
	冰箱可能没有完全在地面上直立，在轻微移动时，其可能晃动。	调整升降螺丝。
	地面不水平或者不够牢固。	确保地面水平，并能够承载冰箱。
新鲜蔬菜保存盒卡住。	食物可能接触到了抽屉顶板。	重新摆放抽屉中的食物。

Prosím, prečítajte si najskôr túto príručku!

Vážený zákazník,

Dúfame, že váš produkt, ktorý bol vyrobený v moderných továrňach a skontrolovaný v rámci prepracovaných postupov riadenia kvality, vám bude úspešne a efektívne slúžiť.




Preto vám odporúčame, aby ste si pozorne prečítali celú túto príručku k vášmu produktu predtým, ako ho začnete používať, a ponechajte si ju poruke, aby ste si ju v prípade potreby mohli prezerat'.

Tento manuál

- Vám pomôže používať vaš prístroj rýchle a bezpečne.
 - Manuál si prečítajte pred inštaláciou a prevádzkou vášho produktu.
 - Dodržiavajte pokyny, obzvlášť tie, ktoré sa týkajú bezpečnosti.
 - Manuál si uschovajte na ľahko prístupnom mieste, pretože ho môžete neskôr potrebovať.
 - Okrem toho si prečítajte aj ostatné dokumenty dodané s vaším produktom.
- Majte na pamäti, že tento manuál platí aj pre iné modely.

Symbols a ich popis

Tento návod na obsluhu obsahuje nasledovné symboly:

-  Dôležité informácie alebo užitočné tipy.
-  Výstraha pred ohrozením života a majetku.
-  Výstraha pred elektrickým napätím.

Recyklácia



Tento produkt obsahuje symbol samostatného roztriedenia pre odpadové elektrické a elektronické vybavenie (WEEE).

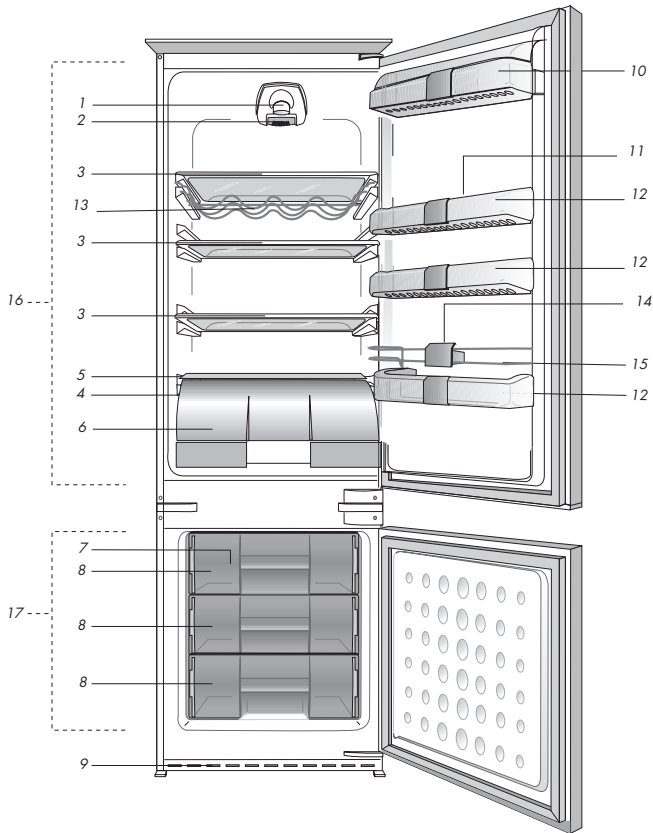
Tó znamená, že s týmto produktom sa musí narábať v súlade s európskou normou 2002/96/ES, aby sa mohol recyklovať alebo rozobrať, čím sa minimalizuje jeho dopad na životné prostredie. Ohľadom ďalších informácií kontaktujte vaše miestne alebo okresné úrady.

Elektronické produkty, ktoré nie sú súčasťou roztriedovacieho procesu, sú potenciálne nebezpečné pre životné prostredie a ľudské zdravie, kvôli prítomnosti nebezpečných látok.

OBSAH

1 Vaša chladnička	3	4 Príprava	13
2 Dôležité bezpečnostné výstrahy	4	5 Používanie chladničky	14
Určené použitie.....	4	Priečinok s nulovou teplotou.....	15
Pri výrobkoch s dávkovačom vody	6	6 Údržba a čistenie	16
Bezpečnosť detí	6	Ochrana plastových povrchov	16
Upozornenie HCA.....	6	7 Odporúčané riešenia problémov	17
Veci, ktoré treba urobiť pre úsporu energie	7		
3 Inštalácia	8		
Body, ktoré je potrebné zvažovať pri opakovanej preprave chladničky	8		
Pred uvedením chladničky do prevádzky	8		
Likvidácia obalu	9		
Likvidácia vašej starej chladničky	9		
Umiestnenie a inštalácia	9		
Výmena žiarovky vnútorného osvetlenia	10		
Obrátenie dverí	11		
Obrátenie dverí	12		

1 Vaša chladnička



1. Vnútročné osvetlenie
2. Gombík termostatu
3. Nastaviteľné poličky
4. Kanálik pre zber rozmrazenej vody – odtoková rúrka
5. Kryt priečinku na zeleninu a ovocie
6. Priečink s 0 °C
7. Zásobník na ľad
8. Priečink mrazničky
9. Mriežka na vzduch
10. Priestor na mlieko
11. Držiak na vajčička
12. Nastaviteľné poličky na dverách
13. Polica na fľašky
14. Držiak na fľašu
15. Drôtený kryt na fľaše
16. Priečink chladničky
17. Priečink mrazničky

i Obrázky v tejto príručke k obsluhu sú schematické a nemusia sa presne zhodovať s vaším produktom. Ak produkt, ktorý ste si zakúpili, nedisponuje uvádzanými časťami, potom sa to týka iných modelov.

2 Dôležité bezpečnostné výstrahy

Prečítajte si nasledujúce informácie. Nedodrievanie týchto informácií môže mať za následok zranenia alebo vecné škody. Všetky záručné záväzky tým strácajú platnosť.

Doba životnosti vami zakúpeného zariadenia je 10 rokov. Je to obdobie, počas ktorého sú k dispozícii náhradné diely pre zabezpečenie opísanej prevádzky.

Určené použitie

Tento výrobok je určený na použitie

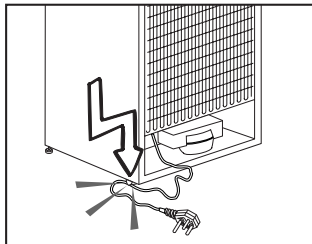
- v interiéroch a v uzatvorených oblastiach, ako napríklad v domoch,
 - v uzatvorených pracovných prostrediach, ako napríklad obchody a kancelárie,
 - v uzatvorených ubytovacích oblastiach, ako napríklad chalupy, hotely, penzióny.
- Tento výrobok sa nesmie používať v exteriéroch.

Všeobecná bezpečnosť

- Ak chcete vyradiť/zlikvidovať tento produkt, odporúčame vám poradiť sa s autorizovaným servisom, aby ste získali potrebné informácie o autorizovaných orgánoch zriadených na tento účel.
- Obráťte sa na autorizovaný servis so všetkými otázkami a problémami s vašou chladničkou. Nezasahujte ani nenechajte iných zasahovať do chladničky bez upozornenia autorizovaného servisu.
- Pri výrobkoch s mraziacim priečinkom nejedzte zmrzlinu v kornútoch a kocky ľadu ihneď po ich vybratí z mraziaceho priečinka! (Môžete si tým spôsobiť nepríjemný mrazivý pocit v ústach.)

- Pri výrobkoch s mraziacim priečinkom nedávajte do mraziaceho priečinka tekuté nápoje vo fľašiach a plechovkách. V opačnom prípade by mohli prasknúť.
- Mrazeného jedla sa nedotýkajte rukami; mohlo by sa k ruke prilepiť.
- Pred čistením alebo rozmrazovaním chladničku odpojte.
- Para a parové čistiace prostriedky by sa nikdy nemali používať pri čistení a odmrazovaní vašej chladničky. V takýchto prípadoch by sa para mohla dostať do kontaktu s elektrickými dielmi a spôsobiť skrat alebo zásah elektrickým prúdom.
- Nikdy nepoužívajte rôzne časti, ako napr. dvere, ako podpery alebo schodíky.
- Vo vnútri vašej chladničky nepoužívajte elektrické zariadenia.
- Časti, v ktorých cirkuluje chladivo, nepoškodzuje nástrojmi na vrtanie alebo rezanie. V prípade perforácie plynových kanálov výparníka, trubkových rozšírení alebo povrchových úprav, spôsobuje rozliaty chladiaci prostriedok podráždenie pokožky a zranenia očí.
- Neprekrývajte ani neblokuje ventiláčne otvory na chladničke žiadnymi materiálmi.
- Elektrické spotrebiče musia opravovať len oprávnené osoby. Opravy vykonávané nekompetentnými osobami predstavujú riziko pre používateľa.
- V prípade zlyhania alebo počas údržby alebo opráv odpojte chladničku od elektrického rozvodu buď vypnutím príslušnej poistky alebo odpojením spotrebiča od siete.

- Pri odpájaní zásuvky neťahajte za kábel, ale potiahnite zásuvku.
- Nápoje s vysokým obsahom alkoholu umiestnite tesne vedľa seba a vertikálne.
- V chladničke neskladujte spreje s rozprašovačom, ktoré obsahujú horľavé alebo výbušné látky.
- Nepoužívajte mechanické prístroje alebo iné prostriedky na urýchľovanie rozmrazovacieho procesu iné ako tie, ktoré odporúča výrobca.
- Tento produkt nie je určený na používanie osobami s fyzickými, zmyslovými alebo duševnými poruchami alebo nepoučenými alebo neskúsenými osobami (vrátane detí), pokiaľ pri nich nie je osoba, ktorá je zodpovedná za ich bezpečnosť, alebo ktorá ich riadne poučí o používaní produktu
- Neuvádzajte do prevádzky poškodenú chladničku. Ak máte akékoľvek pochybnosti, obráťte sa na servisného zástupcu.
- Elektrická bezpečnosť vašej chladničky je zaručená len vtedy, keď je váš uzemňovací systém v zhode s týmito štandardmi.
- Vystavenie produktu pôsobeniu dažďa, snehu, slnka a vetra je nebezpečné z pohľadu elektrickej bezpečnosti.
- Pri poškodení elektrického kábla kontaktujte autorizovaný servis, aby ste zabránili ohrozeniu.
- Počas inštalácie nikdy chladničku nepripájajte do elektrickej zásuvky. V opačnom prípade vznikne riziko usmrtenia alebo vážneho zranenia.
- Táto chladnička je určená len na skladovanie potravín. Nepoužívajte ju na žiadne iné účely.
- Štítok s technickými údajmi sa nachádza na ľavej stene vo vnútri chladničky.
- Chladničku nezapájajte do elektronických systémov na úsporu energie, pretože ju môžu poškodiť.
- Ak je v chladničke modré svetlo, nepozerajte sa naň cez optické zariadenia.
- Manuálne riadené chladničky zapínajte po výpadku prúdu s odstupom najmenej 5 minút.
- Pri odovzdaní produktu inej osobe odovzdajte túto príručku k obsluhu novému vlastníkovi.
- Zabráňte poškodeniu elektrického kábla pri preprave chladničky. Prehýbanie kábla môže spôsobiť požiar. Na napájací kábel nedávajte ťažké predmety. Pri zapájaní produktu sa zástrčky nedotýkajte mokrými rukami.



- Chladničku nezapájajte, ak je zásuvka na stene uvoľnená.
- Z bezpečnostných dôvodov nestriekajte vodu priamo na vnútorné alebo vonkajšie časti produktu.
- Z dôvodu rizika požiaru a výbuchu nerozstrekujte v blízkosti chladničky horľavé materiály, ako napríklad propánový plyn a pod.
- Na chladničku neumiestňujte nádoby naplnené vodou, pretože môžu spôsobiť zásah elektrickým prúdom alebo požiar.

- Nepreťažujte chladničku nadmernými množstvami potravín. Ak je preťažená, potraviny môžu spadnúť a spôsobiť vám zranenie a poškodiť chladničku, keď otvoríte dvere. Na chladničku nikdy nedávajte predmety, pretože môžu spadnúť, keď otvoríte alebo zatvoríte dvere chladničky.
- V chladničke neuchovávajúte vakcíny, lieky citlivé na teplo, vedecké materiály a pod., ktoré si vyžadujú presnú teplotu.
- Ak sa chladnička nebude dlhší čas používať, treba ju odpojiť zo siete. Možný problém s napájacím káblom môže spôsobiť požiar.
- Výbežky zástrčky by sa mali pravidelne čistiť, pretože v opačnom prípade môže dôjsť k požiaru.
- Výbežky zástrčky by sa mal pravidelne čistiť suchou handričkou, pretože v opačnom prípade môže dôjsť k požiaru.
- Keď nastaviteľné nožičky nie sú umiestnené pevne na podlahe, môže dôjsť k posunu chladničky. Správnym upevnením nastaviteľných nožičiek na podlahe možno zabrániť posúvaniu chladničky.
- Pri prenášaní chladničky ju nedržte za rukoväť na dverách. V opačnom prípade môže prasknúť.
- Ak musíte umiestniť produkt vedľa inej chladničky alebo mrazničky, vzdialenosť medzi nimi musí byť najmenej 8 cm. Inak môžu príľahlé steny strán navlhnúť.

Pri výrobkoch s dávkovačom vody

musí byť tlak prívodu vody najmenej 1 bar. Tlak prívodu vody musí byť najviac 8 barov.

- Používajte len pitnú vodu.

Bezpečnosť detí

- Ak dvere obsahujú zámku, kľúč uchovávajúte mimo dosah detí.
- Deti musia byť pod dohľadom, aby sa zabránilo ich zasahovaniu do produktu.

Upozornenie HCA

Chladiaci systém vášho výrobku obsahuje R600a:

Tento plyn je horľavý. Preto dajte pozor na to, aby ste nepoškodili chladiaci systém a potrubné vedenia pri používaní a preprave. V prípade poškodenia udržiavajte produkt mimo potenciálnych zdrojov plameňa, ktoré by mohli spôsobiť vznietenie produktu, a miestnosť, kde je zariadenie umiestnené, dostatočne vetrajte.

Ignorujte toto upozornenie, ak chladiaci systém vášho výrobku obsahuje R134a.

Typ plynu použitý vo výrobku je uvedený na typovom štítku, ktorý sa nachádza na ľavej stene vnútri chladničky.

Produkt nelikvidujte hodením do ohňa.

Veci, ktoré treba urobiť pre úsporu energie

- Dvere vašej chladničky nenechávajú otvorené dlhý čas.
- Do chladničky nekladajte horúce jedlá alebo nápoje.
- Chladničku neprepíňajte, aby ste neblokovali prúdenie vzduchu v interiéri.
- Vašu chladničku neumiestňujte na priame slnečné svetlo alebo do blízkosti spotrebičov, ktoré produkujú teplo, ako napr. rúry na pečenie, umývačky riadu alebo radiátory.
- Dbajte na to, aby ste jedlo uchovávali v uzavretých nádobách.
- Pri výrobkoch s mraziacim priečinkom môžete v mrazničke skladovať maximálny objem potravín vtedy, keď odstránite poličku alebo priečinok mrazničky. Hodnota spotreby energie stanovená pre vašu chladničku bola stanovená tak, že sa odstránila polička alebo priečinok mrazničky a pri maximálnom vyťažení. So zreteľom na tvary a veľkosť potravín určených na zamrazenie neexistuje pri používaní police alebo zásuvky žiadne riziko.
- Rozmrazovanie mrazených potravín v priečinku chladničky zabezpečuje úsporu energie a taktiež zachováva kvalitu potravín.

3 Inštalácia

⚠ Zapamätajte si, že výrobca nie je zodpovedný za škody v prípade, ak nedodržíte pokyny v návode na použitie.

Body, ktoré je potrebné zvažovať pri opakovanej preprave chladničky

1. Vaša chladnička musí byť pred presunom prázdna a očistená.
2. Police, príslušenstvo, priehradky atď. vo vašej chladničke musia byť pred opätovným zabalením chladničky zalepené a zaistené voči otrasom.
3. Balenie musíte zaistiť hrubými páskami alebo silnými lanami a musíte dodržiavať bezpečnostné pokyny na balení.

Nezabudnite...

Každý recyklovaný materiál je nepostrádateľným zdrojom pre prírodu a národné zdroje.

Ak by ste chceli prispieť k recyklácii obalových materiálov, informácie môžete získať u ekologických organizácií alebo na miestnych úradoch.

Pred uvedením chladničky do prevádzky

Pred začatím používania vašej chladničky skontrolujte nasledovné:

1. Je interiér chladničky suchý a môže vzduch ľahko cirkulovať v zadnej časti?
2. Dva plastové klíny namontujte, prosím, tak, ako je to znázornené na obrázku. Plastové kľince zaistia požadovanú vzdialenosť medzi chladničkou a stenou kvôli dostatočnej cirkulácii vzduchu.

(Znázornený obrázok predstavuje len príklad a nezodpovedá sa presne s vašim produktom.)

3. Vyčistite interiér chladničky podľa odporúčania v časti „Údržba a čistenie“.
4. Chladničku pripojte do elektrickej zásuvky. Keď sa otvoria dvere chladničky, zapne sa vnútorné svetlo.
5. Budete počuť zvuk pri zapnutí kompresora. Kvapalina a plyny utesnené v chladiacom systéme môžu vydávať nejaký zvuk, bez ohľadu na to, či kompresor je alebo nie je v prevádzke. Toto je celkom normálne.
6. Predné hrany chladničky môžu byť zohriate. To je normálne. Tieto časti sú vytvorené tak, aby boli zohriate, aby sa predišlo kondenzácii.

Pripojte výrobok k uzemnenej zástrčke, ktorá je chránená poistkou príslušnej kapacity.

Dôležité:

- Pripojenie musí byť v zhode s národnými predpismi.
- Elektrická zásuvka musí byť po inštalácii ľahko prístupná.
- Určené napätie musí byť rovnaké ako napätie vo vašej elektrickej sieti.
- Predlžovacie káble a rozbočky sa nesmú používať na pripojenie zariadenia.

⚠ Poškodený elektrický kábel musí vymeniť kvalifikovaný elektrikár.

⚠ Zariadenie sa nesmie prevádzkovať dovtedy, pokiaľ nebude opravené! Hrozí nebezpečenstvo zásahu elektrickým prúdom!

Likvidácia obalu

Obalový materiál môže byť nebezpečný pre deti. Obalový materiál držte mimo dosahu detí alebo ho vyhodte podľa pokynov pre likvidáciu odpadu. Neodhadzujte ho spolu s normálnym domovým odpadom.

Balenie chladničky je vyrobené z recyklovateľných materiálov.


Likvidácia vašej starej chladničky

Vašu starú chladničku zlikvidujte ekologicky.

- O likvidácii vašej starej chladničky sa môžete poradiť s vašim autorizovaným predajcom alebo zberným miestom.

Pred likvidáciou vašej chladničky odrežte elektrickú zásuvku a ak sa na dverách nachádzajú nejaké zámky, znefunkčnite ich, aby ste nevystavili deti žiadnemu nebezpečenstvu.

Umiestnenie a inštalácia

 Ak vstupné dvere v miestnosti, kde bude chladnička nainštalovaná, nie sú dostatočne široké na to, aby cez ne chladnička prešla, zavolajte do autorizovaného servisu, aby odmontovali dvere vašej chladničky a bokom ju preniesli cez dvere.

1. Chladničku nainštalujte na miesto, ktoré umožňuje ľahké použitie.
2. Chladničku udržiavajte mimo dosah zdrojov tepla, vlhkých miest a priameho slnečného svetla.

3. Kvôli dosiahnutiu účinnej prevádzky musí byť v okolí chladničky dostatočné vetranie. Ak bude chladnička umiestnená vo výklenku v stene, minimálna vzdialenosť od stropu musí byť 5 cm a od steny 5 cm. **Ak je podlaha pokrytá kobercom, výrobok musí byť zdvihnutý do výšky 2,5 cm od podlahy.**

4. Kvôli zabráneniu hádzaniu dajte chladničku na rovnú podlahu.

5. Chladničku neuchovávajte pri teplote okolia pod 10 °C.

❶ Tento spotrebič sa navrhol tak, aby fungoval pri teplotách v nižšie uvedenej tabuľke, a je vybavený pokročilým systémom elektronického ovládania teploty [AETCS], ktorý zaručuje, že pri odporúčanom nastavení [4 - štvorka na gombíku] sa zmrazené potraviny v mrazničke nerozmrazia, a to ani vtedy, ak okolitá teplota dosiahne -15 °C. Pri prvej inštalácii sa produkt NEMIE umiestniť pri nízkych teplotách v okolí, pretože sa teploty v mrazničke neznížia na bežnú prevádzkovú teplotu. Po dosiahnutí stabilného prevádzkového stavu sa môže premiestniť. Takže následne budete môcť umiestniť svoj spotrebič do garáže alebo nevyhrievanej miestnosti bez toho, aby ste sa museli obávať, že sa mrazené potraviny v mrazničke pokazia. Avšak pri nízkych teplotách okolia, ktoré boli uvedené vyššie, je veľká pravdepodobnosť, že obsah chladničky zamrzne, takže podľa toho kontrolujte a konzumujte potraviny v chladničke. Keď sa okolitá teplota vráti do normálu, môžete zmeniť nastavenie gombíka podľa vašich potrieb.

❷ Ak je okolitá teplota nižšia ako 0 °C, jedlo v priečniku chladničky zamrzne. Takže odporúčame, aby ste pri takýchto nízkych okolitých teplotách nepoužívali priečnik chladničky. Priečnik mrazničky môžete používať bežným spôsobom.

Výmena žiarovky vnútorného osvetlenia

Ak by svetlo prestalo fungovať, tak postupujte nasledovne.

1 - Vypnite zásuvku spotrebiča a vyťahnite zástrčku zo siete.

Pre jednoduchý prístup môže byť užitočné vybrať poličky.

2 – Použite plochý skrutkovač, aby ste demontovali rozptyľovací kryt svetla.

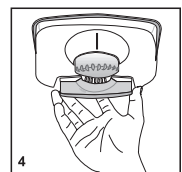
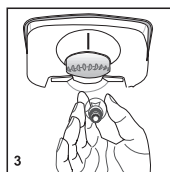
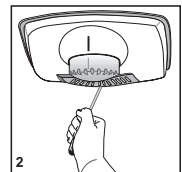
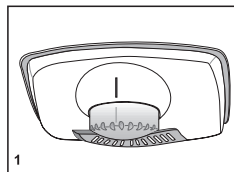
3- Najskôr skontrolujte, či sa žiarovka neuvolnila tak, že sa presvedčíte, či je bezpečne zaskrutkovaná v držiaku. Vymeňte poistku a zapnite.

Ak žiarovka funguje, tak opätovne umiestnite kryt osvetlenia tak, že zasuniete zadné uško a zatlačíte nahor, aby ste ho umiestnili do dvoch predných ušíek.

4- Ak by svetlo stále nefungovalo, vypnite zásuvku a vyťahnite zástrčku zo siete. Žiarovku vymeňte za novú 15 wattovú (max) závitovú (SES) žiarovku.

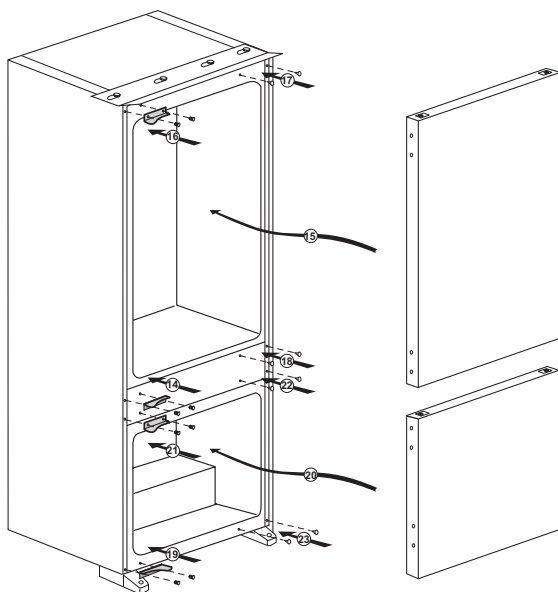
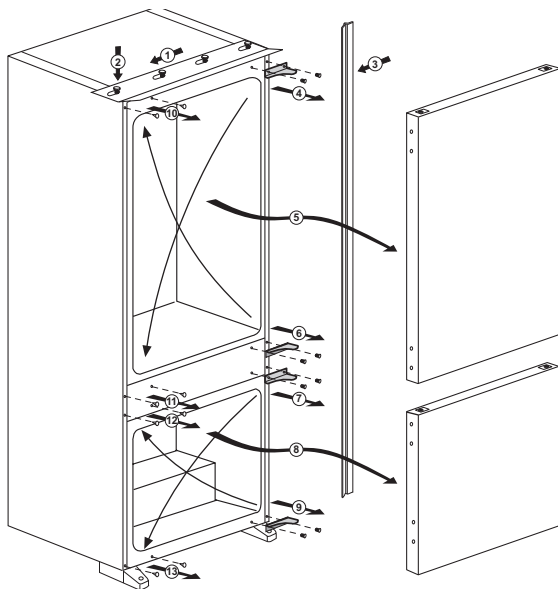
5- Okamžite opatrne zlikvidujte vypálenú žiarovku.

Náhradnú žiarovku môžete jednoducho zakúpiť v dobrom miestnom obchode s elektrickými výrobkami alebo DIY obchode.



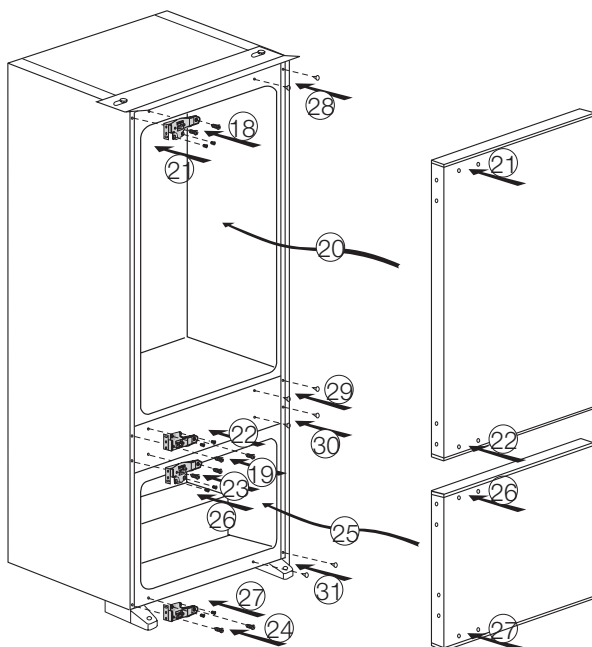
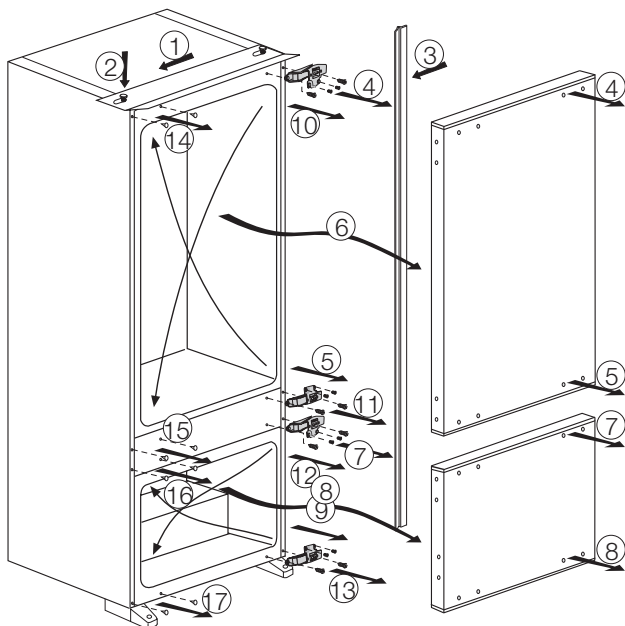
Obrátenie dverí

Postupujte podľa číselného poradia



Obrátenie dverí

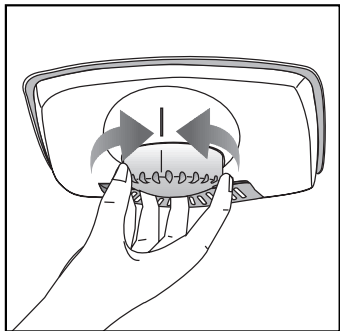
Postupujte podľa číselného poradia



4 Príprava

- Vaša chladnička by mala byť umiestnená v najmenej 30 cm vzdialenosti od zdrojov tepla, ako sú horáky, rúry na pečenie, radiátory a kachle a najmenej v 5 cm vzdialenosti od elektrických rúr na pečenie a nemala by byť umiestnená na priamom slnku.
- Teplota prostredia v miestnosti, kde chladničku inštalujete, by mala byť aspoň 10 °C. Prevádzka chladničky v chladnejšom prostredí sa neodporúča s ohľadom na jej účinnosť.
- Uistite sa, že je interiér vašej chladničky dôkladne vyčistený.
- Ak sa budú vedľa seba inštalovať dve chladničky, mala by byť medzi nimi vzdialenosť minimálne 2 cm.
- Pri prvom spustení vašej chladničky počas šiestich hodín dodržujte nasledujúce pokyny.
 - Dvere by ste nemali otvárať príliš často.
 - Chladnička musí byť počas tohto času prázdna.
 - Chladničku neodpájajte od siete. Ak dôjde k výpadku napájania, ktoré nemôžete ovplyvniť, pozrite si upozornenia v časti „Odporúčané riešenia problémov“.
- Originálny obal a penové materiály by ste si mali odložiť za účelom budúceho transportu a prenášania.

5 Používanie chladničky



Tlačidlo nastavenia teploty

Teplota interiéru vašej chladničky sa mení z nasledovných dôvodov;

- Sezónne teploty,
- Časté otváranie dverí a dlhé ponechanie otvorených dverí,
- Vloženie jedla do chladničky skôr, ako sa schladí na izbovú teplotu.
- Umiestnenie chladničky v miestnosti (napr. vystavenie slnečnému žiareniu).
- Meniacu sa teplotu interiéru môžete kvôli týmto dôvodom nastaviť pomocou termostatu. Číslo okolo tlačítka termostatu značia stupne chladenia.
- Ak je okolitá teplota vyššia ako 32 °C, otočte tlačidlo termostatu do maximálnej polohy.
- Ak je okolitá teplota nižšia ako 25 °C, otočte tlačidlo termostatu do minimálnej polohy.

Rozmrazenie

Priečinok chladničky

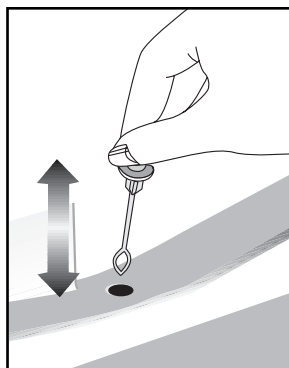
Chladnička prevedie plne automatické odmrazovanie. Kým sa priestor v chladničke ochladzuje, môžu sa vo vnútri chladničky objaviť vodné kvapky a námraza do veľkosti 7-8 mm. Takýto jav je normálny výsledok chladiaceho systému. Vytvorená námraza sa automaticky odstraňuje pri automatickom odmrazovaní po určitých intervaloch vďaka automatickému odmrazovaciemu systému v zadnej stene. Používateľ nemusí zoškrabovať námrazu alebo odstraňovať kvapky vody.

Voda pochádzajúca z odmrazovania odtečie zo zberača vody do odparovača odkvapovou rúrou, kde sa sama odparí.

Pravidelne kontrolujte, či nie je upchatá odkvapová rúra a v prípade potreby ju odopchajte pomocou prepichnutia.

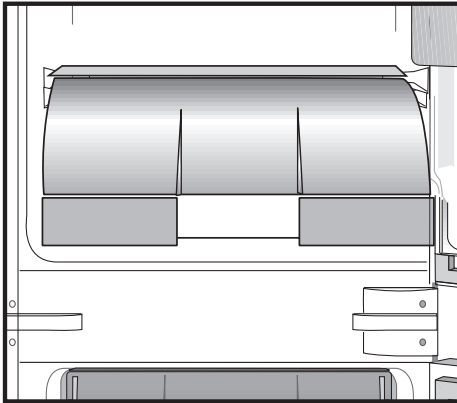
Hĺboko mraziace oddelenie sa automaticke neodmrazuje, aby sa zabránilo zkaže zmrazeného jedla.

Priestor mrazičky rozmrazuje automaticky.



Priečnik s nulovou teplotou

Tento priečnik bol navrhnutý na uskladnenie mrazených potravín, ktoré sa podľa potreby budú pomaly roztápať (mäso, ryby, kura atď.). Priečnik s nulovou teplotu je najchladnejším miestom v chladničke, v ktorom môžete uchovať mliečne výrobky (syr, maslo), mäso, rybu alebo kura pri ideálnych podmienkach uskladnenia. Zeleninu a/alebo ovocie nemôžete vložiť do tohto priečinka.



6 Údržba a čistenie

- ⚠ Na čistenie nikdy nepoužívajte plyn, benzín alebo obdobné prostriedky.
- ⚠ Odporúčame vám, aby ste zariadenie pred vyčistením odpojili od siete.
- Na čistenie nikdy nepoužívajte žiadne ostré predmety ani drsné látky, mydlo, domáce čistidlá, čistiace prostriedky ani voskové leštidlá.
- Na čistenie chladničky použite teplú vodu a vytríte ju do sucha.
- Použite vlhkú handru namočenú v roztoku jednej lyžičky sódy bikarbóny v pol litri vody. Umyte vnútrajšok a vytríte ho do sucha.
- Uistite sa, že do puzdra lampy, prípadne iných elektrických súčiastok, neprenikne voda.
- Ak sa chladničku nechystáte používať dlhšie obdobie, odpojte napájací kábel, vyberte všetky potraviny, vyčistite ju a nechajte dvere pootvorené.
- Skontrolujte tesnenie dverí či je čisté a zbavené odrobiniek z jedla.
- Ak chcete odstrániť priečinky vo dverách, vyberte celý ich obsah, a potom jednoducho potlačte priečinok nahor z podkladu.

Ochrana plastových povrchov

- Kvapalné oleje a vyprážené potraviny neumiestňujte do chladničky v otvorených nádobách, pretože poškadzujú plastové povrchy vašej chladničky. V prípade rozliatia alebo roztratia oleja na plastové povrchy okamžite vyčistite a opláchnite príslušnú časť povrchu teplou vodou.

7 Odporúčané riešenia problémov

Pred zavolaním servisu si pozrite tento zoznam. Môže vám to ušetriť čas aj peniaze. Tento zoznam obsahuje bežné sťažnosti, ktoré sa nevzťahujú na chybné spracovanie alebo využitie materiálu. Niektoré z tu popísaných funkcií nemusí váš produkt obsahovať.

Chladnička nefunguje
<ul style="list-style-type: none">• Je chladnička správne pripojená do siete? Zasuňte zásuvku do stenovej zástrčky.• Nie je prepálená poistka, ku ktorej je pripojená chladnička, alebo hlavná poistka? Skontrolujte poistku.
Vlhkosť na bočných stenách priestoru chladničky. (MULTI ZONE, COOL CONTROL a FLEXI ZONE)
<ul style="list-style-type: none">• Veľmi studené podmienky prostredia. Časté otváranie a zatváranie dverí. Veľmi vlhké podmienky prostredia. V chladničke sa nachádzajú potraviny obsahujúce kvapaliny v otvorených nádobách. Ponechanie pootvorených dverí.• Prepnutie termostatu do chladnejšej polohy.• Skrátenie doby otvorenia dverí alebo ich zriedkavejšie používanie.• Prikrýtie jedla v otvorených nádobách vhodným materiálom.• Vlhkosť poutierajte suchou handrou a skontrolujte, či stále pretrváva.
Kompresor nie je v prevádzke
<ul style="list-style-type: none">• Ochranná teplotná poistka kompresora sa vypáli počas náhleho výpadku napájania alebo pri vytiahnutí a opätovnom zastrčení zásuvky, pretože tlak chladiva v chladničke ešte nie je vyvážený.• Vaša chladnička začne pracovať po približne šiestich minútach. Ak po tomto čase vaša chladnička nezačne pracovať, zavolajte servis.• Chladnička je v odmrazovacom cykle. Pre plne automatickú rozmrazovaciu chladničku je to normálne. Cyklus odmrazovania sa vykonáva pravidelne.• Chladnička nie je pripojená do siete. Uistite sa, že ja zásuvka pevne zasunutá do stenovej zástrčky.• Sú správne vykonané nastavenia teploty? Zlyhalo napájanie. Zavolajte elektrárne.
Chladnička pracuje príliš často alebo príliš dlhý čas.

<ul style="list-style-type: none"> • Nová chladnička môže byť širšia ako stará. To je úplne normálne. Veľké chladničky pracujú dlhší čas. • Okolitá teplota môže byť vysoká. To je úplne normálne. • Chladnička mohla byť zapnutá len nedávno alebo mohlo byť do nej vložené jedlo. Kompletne vychladenie chladničky môže trvať o niekoľko hodín dlhšie. • Do chladničky mohlo byť len nedávno vložené väčšie množstvo teplého jedla. Teplé jedlo spôsobuje dlhší chod chladničky, kým sa nedosiahne bezpečná teplota skladovania. • Dvere mohli byť často otvárané alebo ponechané po dlhý čas v pootvorenom stave. Teplý vzduch, ktorý prenikol do chladničky, spôsobuje, že chladnička pracuje dlhší čas. Dvere otvárajte menej často. • Mraziak alebo oddelenie chladničky mohlo byť ponechané pootvorené. Skontrolujte, či sú dvere tesne zatvorené. • Teplota v chladničke je nastavená na veľmi nízku hodnotu. Nastavte teplotu v chladničke na vyššiu a vyčkajte, kým je táto teplota dosiahnutá. • Tesnenie dverí chladničky alebo mrazničky môže byť zanesené špinou, opotrebované, poškodené alebo nesprávne nasadené. Vyčistite alebo vymeňte tesnenie. Poškodené tesnenie spôsobuje, že chladnička pracuje dlhšiu dobu, aby udržala požadovanú teplotu.
<p>Teplota mrazničky je veľmi nízka, zatiaľ čo teplota chladničky je dostatočná.</p>
<ul style="list-style-type: none"> • Teplota v mrazničke je nastavená na veľmi nízku hodnotu. Nastavte teplotu v mrazničke na vyššiu a skontrolujte.
<p>Teplota chladničky je veľmi nízka, zatiaľ čo teplota mrazničky je dostatočná.</p>
<ul style="list-style-type: none"> • Teplota v chladničke je nastavená na veľmi nízku hodnotu. Nastavte teplotu v chladničke na vyššiu a skontrolujte.
<p>Jedlo uložené v spodných zásuvkách chladničky je zmrazené.</p>
<ul style="list-style-type: none"> • Teplota v chladničke je nastavená na veľmi nízku hodnotu. Nastavte teplotu v chladničke na vyššiu a skontrolujte.
<p>Teplota v chladničke alebo mrazničke je príliš vysoká.</p>
<ul style="list-style-type: none"> • Teplota v chladničke je nastavená na veľmi vysokú hodnotu. Nastavenia chladničky vplyvajú na teplotu v mrazničke. Zmeňte teplotu chladničky alebo mrazničky, pokiaľ sa tieto teploty nedostanú na adekvátnu úroveň. • Možno ste ponechali pootvorené dvere. Dvere dôkladne zatvorte. • Do chladničky mohlo byť len nedávno vložené väčšie množstvo teplého jedla. Počkajte, kým mraznička alebo chladnička dosiahnu požadovanú teplotu. • Chladnička mohla byť pripojená do siete len nedávno. Úplne vychladenie chladničky trvá istý čas z dôvodu jej veľkosti.
<p>Z chladničky vychádza hluk, ktorý sa podobá zvuku sekundovej ručičky na analógových hodinách.</p>
<ul style="list-style-type: none"> • Tento hluk vychádza z elektromagnetu chladničky. Elektromagnetický ventil funguje za účelom zaručenia prechodu chladiacej látky cez priečinok. Dá sa nastaviť na teploty chladenia alebo mrazenia a na vykonávanie funkcií chladenia. Je to normálne a nie je to spôsobené poruchou.

Prevádzkový hluk sa zvyšuje, keď chladnička pracuje.
<ul style="list-style-type: none"> • Výkonová charakteristika prevádzky chladničky sa môže meniť podľa zmeny okolitej teploty. Je to úplne normálne a neznamená to poruchu.
Otrasy alebo hluk.
<ul style="list-style-type: none"> • Podlaha nie je rovná alebo nie je pevná. Chladnička sa trasie pri pomalom pohybe. Skontrolujte, či je podlaha rovná a pevná a či dokáže uniesť hmotnosť chladničky. • Hluk môže byť spôsobený predmetmi položenými na chladničke. Takéto predmety by ste mali z vrchnej časti chladničky odstrániť.
Vyskytujú sa zvuky ako rozlätie alebo rozprášenie kvapaliny.
<ul style="list-style-type: none"> • Tok kvapaliny a plynu sa uskutočňuje podľa prevádzkových princípov. Je to úplne normálne a neznamená to poruchu.
Chladnička vydáva zvuky ako fúkanie vetra.
<ul style="list-style-type: none"> • Aktivátory prúdenia vzduchu (ventilátory) sú spustené, aby chladnička pracovala účinne. Je to úplne normálne a neznamená to poruchu.
Kondenzácia na vnútorných stenách chladničky.
<ul style="list-style-type: none"> • Horúce a vlhké počasie zvyšuje namrazovanie a kondenzáciu. Je to úplne normálne a neznamená to poruchu. • Ponechali ste pootvorené dvere. Skontrolujte, či sú dvere dôkladne zatvorené. • Dvere mohli byť často otvárané alebo ponechané po dlhý čas v otvorenom stave. Dvere otvárajte menej často.
Na vonkajšej strane chladničky alebo medzi dverami sa tvorí vlhkosť.
<ul style="list-style-type: none"> • Počasie môže byť vlhké. Vo vlhkom počasí je to úplne normálne. Pri nižšej vlhkosti sa kondenzácia stratí.
Vo vnútri chladničky je nepríjemný zápach.
<ul style="list-style-type: none"> • Musíte vyčistiť interiér chladničky. Interiér chladničky vyčistíte špongiou, teplou vodou alebo sýtenou vodou. • Niektoré nádoby alebo obalové materiály môžu zapáchať. Použite odlišnú nádobu alebo odlišnú značku baliaceho materiálu.
Dvere sa nedajú zatvoriť.
<ul style="list-style-type: none"> • Obaly potravín môžu brániť zatvoreniu dverí. Odstráňte obaly, ktoré bránia v ceste dverám. • Chladnička pravdepodobne nie je v úplne vertikálnej polohe na podlahe a pri jemnom pohybe sa môže kolísať. Nastavte elevačné skrutky. • Podlaha nie je rovná alebo dostatočne pevná. Skontrolujte, či je podlaha rovná a či dokáže uniesť hmotnosť chladničky.
Špeciálne priehradky sú zaseknuté.
<ul style="list-style-type: none"> • Jedlo sa môže dotýkať vrchnej strany zásuvky. Presporadajte jedlo v zásuvke.

Nejprve si přečtěte tento návod!

Vážený zákazníku,

Doufáme, že výrobek, který byl vyroben v moderních závodech a kontrolován v souladu s nejpřísnějšími postupy kontroly kvality, vám zajistí účinný provoz.

Z tohoto důvodu vám doporučujeme pozorně si přečíst celý návod k výrobku, než jej použijete, a uskladněte je v dosahu pro budoucí použití.

Tento návod

- Pomůže vám s použitím spotřebiče rychle a bezpečně.
 - Návod si přečtěte dříve, než produkt nainstalujete a zapnete.
 - Dodržujte pokyny, zejména ty, které se týkají bezpečnosti.
 - Návod uschovejte na snadno přístupném místě, možná jej budete později potřebovat.
 - Kromě toho si přečtěte i další dokumenty dodané s výrobkem.
- Nezapomeňte, že tento návod může platit i pro jiné modely.

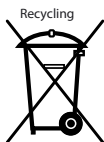
Symbyly a jejich popis

Tento návod obsahuje následující symbyly:

 Důležité informace nebo užitečné tipy k použití.

 Varování před nebezpečnými situacemi pro život a majetek.

 Varování na elektrické napětí.



Tento výrobek nese symbol pro selektivní třídění platný pro elektrický a elektronický odpad (WEEE).

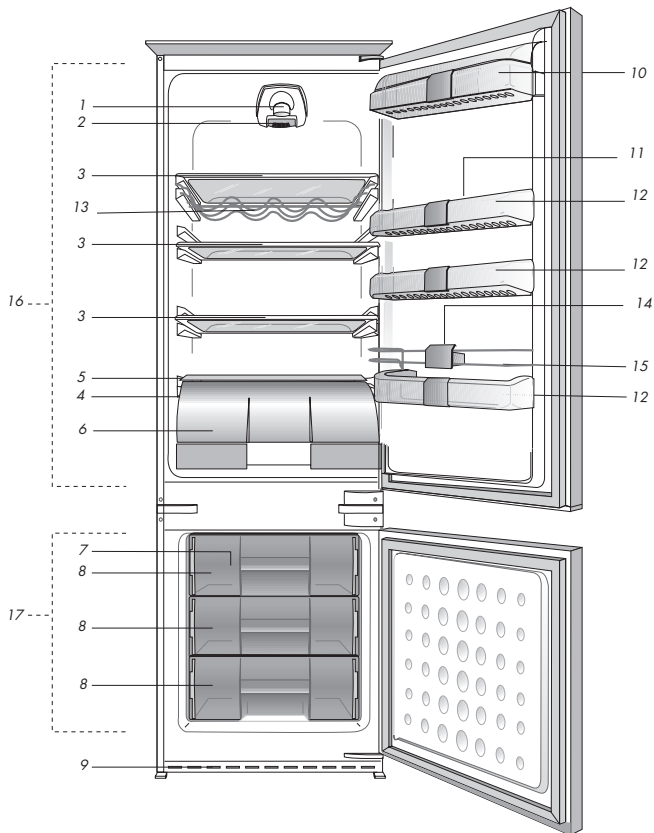
To znamená, že s tímto výrobkem je nutno manipulovat podle evropské směrnice 2002/96/ES, aby byl recyklován nebo demontován s minimálním dopadem na životní prostředí. Další informace vám podají místní nebo oblastní úřady.

Elektronické výrobky nezahrnuté do procesu selektivního třídění jsou potenciálně nebezpečné pro životní prostředí a zdraví osob kvůli přítomnosti nebezpečných látek.

OBSAH

1 Vaše chladnička	3	4 Příprava	13
2 Upozornění	4	5 Používání chladničky	14
Určené použití	4	Tlačítko nastavení teploty.....	14
Obecná bezpečnost	4	Odmrazení.....	14
Postup pro úsporu energie	7	Prostor s nulovou teplotou.....	15
Upozornění HCA	7		
3 Instalace	8	6 Údržba a čištění	16
Příprava.....	8	Ochrana plastových ploch	16
Body ke zvážení při přepravě chladničky	8	7 Doporučená řešení problémů	17
Než chladničku zapnete.....	8		
Zapojení do sítě	9		
Likvidace obalu.....	9		
Likvidace vaší staré chladničky	9		
Výměna vnitřní žárovky	10		
Změna dvířek.....	11		
Změna dvířek.....	12		

1 Vaše chladnička



- | | |
|---|------------------------------------|
| 1. Vnitřní světlo | 9. Vzduchová mřížka |
| 2. Tlačítko nastavení teploty | 10. Prostor pro mléčné výrobky |
| 3. Nastavitelné police | 11. Táček na vejce |
| 4. Kanál pro sběr odmražené vody
– Odčerpávací trubice | 12. Nastavitelné police ve dveřích |
| 5. Kryt prostoru pro čerstvé
potraviny | 13. Police na lahve |
| 6. Prostor pro 0 °C | 14. Držák lahví |
| 7. Zásoba ledu | 15. Kryt |
| 8. Prostor mrazničky | 16. Prostor chladničky |
| | 17. Prostor mrazničky |

Obrázky uvedené v tomto návodu k použití jsou schematické a nemusí přesně korespondovat s vaším výrobkem. Pokud zobrazené části nejsou obsaženy v produktu, který jste zakoupili, jde o součásti jiných modelů.

2 Upozornění

• Prostudujte si následující informace. Pokud je nedodržíte, může dojít ke zranění osob nebo poškození materiálu. Jinak neplatí záruka ani jiné závazky.

Doba životnosti zakoupeného zařízení je 10 let. Toto je doba pro uschování náhradních dílů nutných pro předepsaný provoz zařízení.

Určené použití

- Tento výrobek je určen pro domácí použití.
- Nepoužívejte přístroj venku. Není vhodné jej používat venku, i když je prostor zastřešen.

Obecná bezpečnost

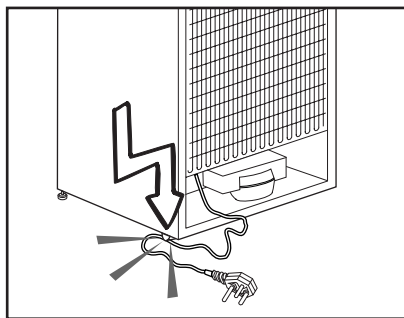
- Když chcete výrobek zlikvidovat/sešrotovat, doporučujeme kontaktovat autorizovaný servis, kde zjistíte nezbytné informace a autorizované orgány.
- Veškeré otázky a problémy související s chladničkou vám pomůže vyřešit autorizovaný servis. Nezasahujte do chladničky a nikomu toto nedovoľte bez upozornění autorizovaného servisu.
- Nejezte zmrzlinu a kostky ledu bezprostředně poté, co je vyjmete z prostoru mrazničky! (Může dojít k omrznutí úst.)
- Nevkládejte tekuté nápoje v lahvích a plechovkách do prostoru mrazničky. Jinak by mohlo dojít k jejich explozi.
- Nedotýkejte se mražených potravin rukou; mohou se vám přilepit k ruce.
- Výpary a parní čisticí materiály nikdy nepoužívejte při čištění a odmrazování chladničky. V těchto případech by se totiž výpary mohly dostat do styku s elektrickými součástmi a způsobit zkrat či zásah elektrickým proudem.

- Nikdy nepoužívejte součásti na chladniče, jako je ochranná deska, jako dvířka nebo podprěru nebo schůdek.
- Nepoužívejte elektrická zařízení uvnitř chladničky.
- Nepoškozujte chladicí obvod, kde obíhá chladicí médium, vrtáním nebo řezáním. Chladicí médium by mohlo vytéct v místech porušení plynových kanálů výparníku, prodloužených trubek nebo povrchových vrstev a způsobit podráždění kůže a zranění očí.
- Nezakrývejte a neblokujte větrací otvory na chladniče žádným materiálem.
- Opravy elektrického vybavení smí provádět jen kvalifikovaný odborník. Opravy provedené nekompetentními osobami mohou vést k ohrožení uživatele.
- V případě poruchy nebo při údržbě či opravách odpojte napájení chladničky buď vypnutím příslušné pojistky nebo odpojením spotřebiče.
- Netahejte za kabel – tahejte za zástrčku.
- Nápoje umístějte zavřené a ve svislé poloze.
- Hořlavé předměty nebo produkty s obsahem hořlavých plynů (např. spreje) i výbušné materiály nikdy neskladujte ve spotřebiči.
- Nepoužívejte mechanické nástroje nebo jiné prostředky k urychlení procesu odmrazení s výjimkou těch, které doporučuje výrobce.
- Tento spotřebič není určen pro použití osobami (včetně dětí) se sníženými fyzickými, smyslovými nebo duševními schopnostmi

nebo nedostatečnou zkušeností a znalostmi, pokud jsou bez dohledu nebo pokynů o použití spotřebiče od osob zodpovídajících za jejich bezpečnost.

- Děti by měly být pod dozorem, aby se zajistilo, že si nebudou hrát se spotřebičem.
- Nepoužívejte poškozenou chladničku. Kontaktujte servis v případě jakýchkoli pochybností.
- Elektrická bezpečnost chladničky je zaručena pouze tehdy, pokud systém uzemnění ve vašem domě splňuje patřičné normy.
- Vystavení výrobku dešti, sněhu, slunci a větru je nebezpečné z hlediska elektrické bezpečnosti.
- Kontaktujte autorizovaný servis, pokud dojde k poškození napájecího kabelu atd., aby nedošlo k ohrožení osob.
- Během instalace nikdy nezapojíte chladničku k zásuvce. Jinak může dojít k ohrožení zdraví s následkem smrti.
- Pokud máte na dvířkách zámek, je nutno skladovat klíč mimo dosah dětí.
- Tato chladnička je určena výhradně k ukládání potravin. Neměla by být používána k žádnému jinému účelu.
- Štítek popisující technické parametry výrobku se nachází na levé vnitřní straně chladničky.
- Nepřipojte chladničku k systémům pro úsporu elektrické energie, mohlo by dojít k poškození výrobku.
- Pokud svítí modré světlo na chladničce, nedívejte se do modrého světla optickými zařízeními.
- Pokud je odpojeno napájení manuálně ovládaných chladniček, počkejte nejméně 5 minut, než napájení znovu zapojíte.

- Tento návod k výrobku předejte dalšímu majiteli chladničky při změně majitele.
- Při přesouvání chladničky zajistěte, aby nedošlo k poškození napájecího kabelu. Aby nedošlo k požáru, napájecí kabel by neměl být překroucený. Těžké předměty nestavte na napájecí kabel. Když zapojujete chladničku, nesahejte na zásuvku mokřkýma rukama.



- Nezapojíte chladničku, pokud je zásuvka uvolněna.
- Nestříkejte vodu přímo na vnitřní ani vnější části chladničky z bezpečnostních důvodů.
- Nestříkejte hořlavé materiály, jako je propan atd., do blízkosti chladničky, kvůli riziku vznícení a výbuchu.
- Neumísťujte na chladničku předměty naplněné vodou, mohlo by dojít k zásahu elektrickým proudem nebo požáru.
- Nepřepĺňujte chladničku přílišným množstvím potravin. Příliš velké množství jídla může vypadnout při otevření dveří s následkem zranění nebo poškození chladničky. Neumísťujte na chladničku žádné předměty, mohly by spadnout při otevírání nebo zavírání dveří chladničky.
- Materiály, které vyžadují určité teploty,

jako jsou vakcíny, léky citlivé na teplotu, vědecké materiály atd., v této chladničce neskladujte.

- Pokud chladničku nebudete používat delší dobu, doporučujeme ji odpojit ze sítě. Problém izolace elektrického kabelu může vést k požáru.
- Koncovka elektrické zástrčky by se měla pravidelně čistit, jinak může způsobit požár.
- Chladnička se může pohybovat, pokud nastavitelné nožky naumístíte pevně na zem. Pomocí nastavitelných nožek můžete zajistit pevné postavení chladničky na podlaze.
- Pokud chladnička obsahuje kliku na dveřích, netahejte chladničku za kliku při přesouvání výrobku, mohlo by dojít k odpojení kliky od chladničky.

Upozornění HCA

Pokud je váš výrobek vybaven chladicím systémem s obsahem R600a:

Tento plyn je hořlavina. Dávejte tedy pozor, abyste nepoškodili systém chlazení a potrubí během použití a přepravy. V případě poškození udržujte výrobek mimo potenciální zdroje hoření, které mohou způsobit vznícení výrobku, a vyvětrejte místnost, v níž je přístroj umístěn.

Ignorujte toto upozornění.

Pokud je váš výrobek vybaven chladicím systémem s obsahem R134a.

Typ plynu použitý při výrobě vašeho výrobku najdete na štítku umístěném vlevo uvnitř přístroje.

Nikdy neodhazujte výrobek do ohně.

Postup pro úsporu energie

- Nenechávejte dvířka chladničky otevřená delší dobu.
- Nevkládejte do chladničky horké potraviny nebo nápoje.
- Nepřepíňujte chladničku, abyste nebránili oběhu vzduchu uvnitř.
- Neinstalujte chladničku na přímé sluneční světlo nebo do blízkosti tepelných spotřebičů, jako je trouba, myčka nebo radiátor.
- Dávejte pozor, abyste nechávali potraviny v uzavřených nádobách.

3 Instalace

Nezapomeňte, že výrobce neodpovídá za nedodržení informací uvedených v návodu k použití.

Příprava

- i** Chladničku instalujte nejméně 30 cm od zdrojů tepla, jako jsou varné desky, trouby, ústřední topení a sporáky a nejméně 5 cm od elektrických trub, neumísťujte ji na přímé sluneční světlo.
- i** Teplota prostředí v místnosti, kde instalujete chladničku, by měla být nejméně 10 °C. Používání chladničky za chladnějších podmínek se nedoporučuje vzhledem k její účinnosti.
- i** Zajistěte, aby byl vnitřek vaší chladničky důkladně vyčištěn.
- i** Pokud vedle sebe instalujete dvě chladničky, měl by mezi nimi být rozstup nejméně 2 cm.
- i** Když spustíte chladničku poprvé, dodržujte následující pokyny během prvních šesti hodin.
 - Dveře neotevírejte často.
 - Musí běžet prázdná bez vkládání potravin.
 - Neodpojujte chladničku. Pokud dojde k výpadku energie, prostudujte si varování v kapitole „Doporučená řešení problémů“.
- i** Původní obaly a pěnové materiály uschovejte pro budoucí přepravu či přesun.

Body ke zvážení při přepravě chladničky

1. Chladničku je nutno vyprázdnit a vyčistit před jakoukoli přepravou.
2. Police, příslušenství, prostor pro čerstvé potraviny atd. v chladničku je nutno řádně upoutat lepicí páskou, aby nedocházelo k vibracím.
3. Obaly je nutno upevnit silnými páskami a lany a je nutno dodržovat pravidla pro přepravu vytištěná na obalu.

Nezapomeňte...

Každý recyklovaný materiál je nezbytný zdroj pro přírodu a naše národní zdroje.

Pokud chcete přispět k recyklaci obalových materiálů, další informace získáte od orgánů ochrany životního prostředí nebo místních úřadů.

Než chladničku zapnete

Než začnete používat chladničku, zkontrolujte následující:

1. Je vnitřek chladničky suchý a může za ní volně obíhat vzduch?
3. Vyčistěte vnitřek chladničky podle kapitoly „Údržba a čištění“.
4. Zapojte chladničku do sítě. Po otevření dveří se rozsvítí vnitřní osvětlení prostoru chladničky.
5. Uslyšíte hluk při startování kompresoru. Kapalina a plyn v chladicí soustavě mohou také vydávat zvuky, i když kompresor neběží, což je poměrně normální.
6. Přední kraje chladničky mohou být teplé. Je to zcela normální. Tyto oblasti mají být teplé, aby nedocházelo ke kondenzaci.

Zapojení do sítě

Připojte výrobek k uzemněné zásuvce, která je chráněna pojistkou vhodné kapacity.

Důležité:

Spojení musí být v souladu s národními předpisy.

Napájecí kabel musí být po instalaci snadno dostupný.

Napětí a povolená ochrana pojistky jsou uvedeny v kapitole "Parametry". Specifikované napětí musí být rovné napětí v síti.

Prodlužovací kabely a vícecestné zásuvky nepoužívejte na spojení.

Poškozený napájecí kabel musí vyměnit kvalifikovaný elektrikář.

Výrobek nesmíte používat, dokud není opraven! Hrozí riziko zásahu elektrickým proudem!

Likvidace obalu

Obalové materiály mohou být pro děti nebezpečné. Udržujte materiály mimo dosah dětí nebo je zlikvidujte v souladu s pokyny zpracování odpadů. Nelikvidujte je s běžným domovním odpadem.

Balení chladničky je z recyklovatelných materiálů.

Likvidace vaší staré chladničky

Starý přístroj zlikvidujte tak, abyste neohrozili životní prostředí.

Informace o likvidaci chladničky získáte u autorizovaného prodejce nebo odpadového odboru vašeho města.

Než chladničku použijete, odřízněte zástrčku a v případě, že jsou na dveřích zámky, zneškodněte je, aby nedošlo k ohrožení dětí.

i Tento spotřebič je navržen pro provoz při teplotách uvedených v následující tabulce a je vybaven pokročilým systémem elektronické kontroly teploty [AETCS], který zaručuje, že při doporučeném nastavení [4 - čtyři na tlačítku] nedojde k rozmražení mražených potravin v mrazničce, i když teplota spadne až na -15 °C. Při první instalaci výrobek NESMÍ být umístěn do prostor s nízkými teplotami, protože mraznička se nenastaví na standardní provozní teplotu. Jakmile dosáhne ustáleného provozu, je možno ji přemístit. Pak tedy můžete umístit spotřebič do garáže nebo do nevytápěné místnosti bez obav o poškození mražených potravin v mrazničce. Při výše uvedených nízkých teplotách však může dojít k zamrznutí obsahu mrazničky, proto doporučujeme kontrolovat a spotřebovávat potraviny v mrazničce. Až se teplota vrátí na normální úroveň, můžete změnit nastavení tlačítka podle vašich potřeb.

i Pokud je teplota nižší než 0°C, potraviny v prostoru mrazničky zmrznou. Doporučujeme vám tedy nepoužívat prostor mrazničky při takto nízkých teplotách. Můžete pokračovat v používání prostoru mrazničky jako obvykle.

Výměna vnitřní žárovky

Pokud světlo přestane fungovat, postupujte takto.

1- Vypněte přístroj a odpojte napájecí kabel.

Pro snadnější přístup doporučujeme vyjmout poličky.

2-Pomocí plochého šroubováku sejměte stínidlo světla.

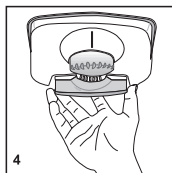
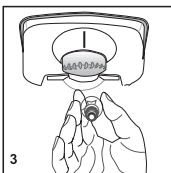
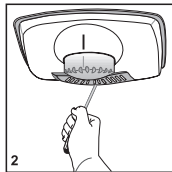
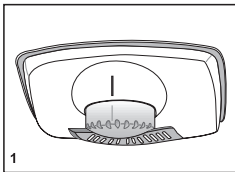
3- Nejprve zkontrolujte, zda se žárovka neuvolnila, ujistěte se, zda je pevně našroubovaná v objímce. Zasuňte zásuvku do sítě a zapněte spotřebič.

Pokud žárovka svítí, vraťte zpět kryt světla, zasuňte zadní západku a zatlačením vzhůru umístěte obě přední západky.

4- Pokud světlo stále nesvítí, vypněte přístroj a odpojte napájecí kabel. Vyměňte žárovku za novou 15wattovou (max) šroubovací (SES).

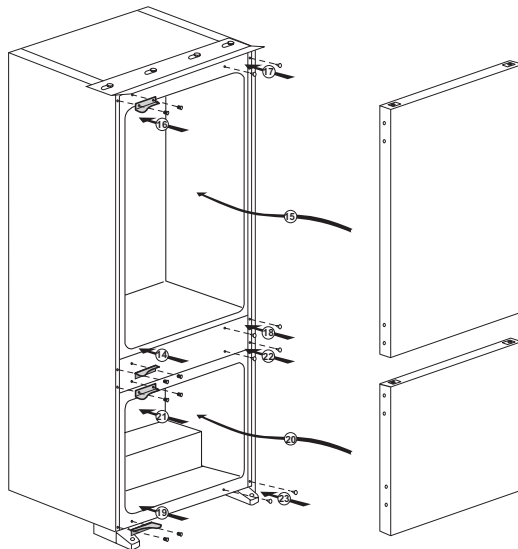
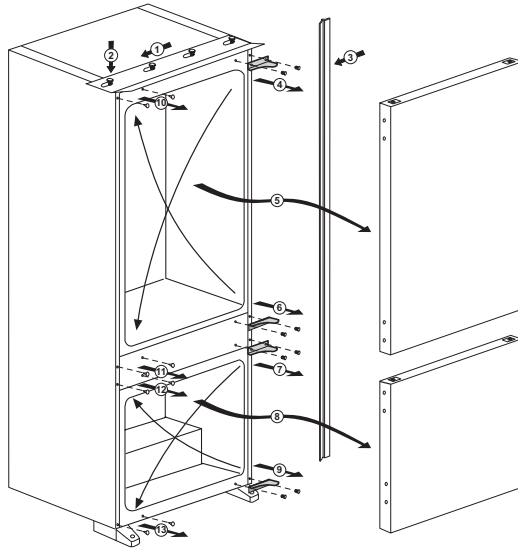
5- Nefunkční žárovku okamžitě opatrně zlikvidujte.

Náhradní žárovku snadno zakoupíte v solidním elektro nebo kutilském obchodě.



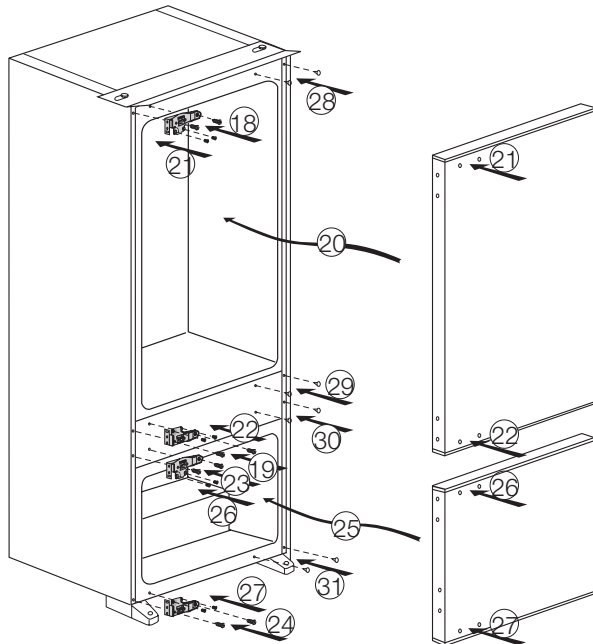
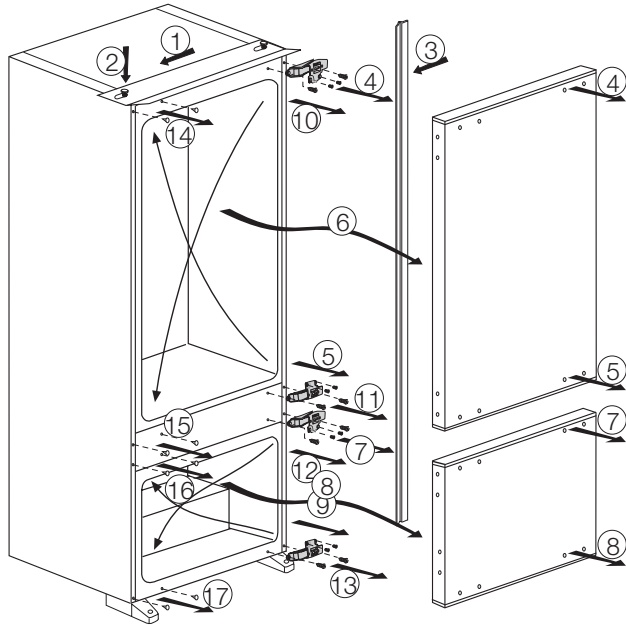
Změna dvířek

Postupujte podle pořadí



Změna dvířek

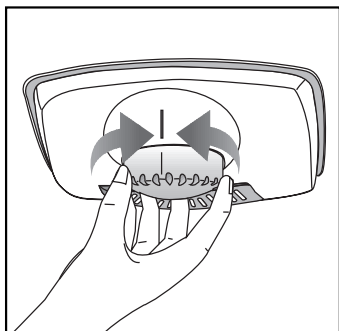
Postupujte podle pořadí



4 Příprava

- Chladničku instalujte nejméně 30 cm od zdrojů tepla, jako jsou varné desky, trouby, ústřední topení a sporáky a nejméně 5 cm od elektrických trub, neumísťujte ji na přímé sluneční světlo.
 - Teplota prostředí v místnosti, kde instalujete chladničku, by měla být nejméně 10°C. Používání chladničky za chladnějších podmínek se nedoporučuje vzhledem k její účinnosti.
 - Zajistěte, aby byl vnitřek vaší chladničky důkladně vyčištěn.
 - Pokud vedle sebe instalujete dvě chladničky, měl by mezi nimi být rozestup nejméně 2 cm.
 - Když spustíte chladničku poprvé, dodržujte následující pokyny během prvních šesti hodin.
 - Dveře neotevírejte často.
 - Musí běžet prázdná bez ukládání potravin.
 - Neodpojujte chladničku.
- Pokud dojde k výpadku energie, prostudujte si varování v kapitole “Doporučená řešení problémů”.
- Původní obaly a pěnové materiály uschovejte pro budoucí přepravu či přesun.

5 Používání chladničky



Tlačítko nastavení teploty

Vnitřní teplota chladničky se mění z následujících důvodů;

- Teploty podnebí,
- Časté otevírání dveří a nechávání dveří dlouho otevřených,
- Vložené jídlo do chladničky bez ochlazení na pokojovou teplotu,
- Umístění chladničky v místnosti (např. na slunci).
- Můžete upravit teplotu uvnitř z těchto důvodů pomocí termostatu. Čísla kolem tlačítka termostatu označují stupně chlazení.
- Pokud je okolní teplota (v pokoji nebo garáži) 0 °C až -15 °C, doporučujeme vám nastavit tlačítko do polohy 4, abyste dosáhli teploty -18°C v prostoru mrazničky. Nižších teplot dosáhnete pootočením tlačítka nastavení k poloze max.
- Maximální objem pro mražené potraviny dosáhnete bez použití krytu horní police v prostoru mrazničky. Spotřeba energie vašeho spotřebiče je uváděna za situace, kdy je prostor mrazničky plně naplněn bez použití krytu horní police.

Odmrazení

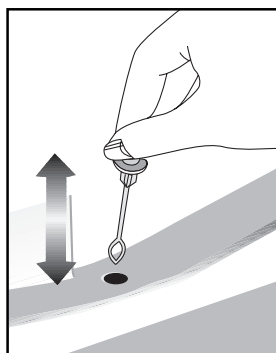
Prostor chladničky

V prostoru chladničky dochází k plně automatickému odmrazení. Kapky vody a námraza do síly 7-8 mm se mohou objevit na zadní stěně chladničky, když se chladnička ochlazuje. Tyto jevy jsou normálním důsledkem systému chlazení. Námraza se uvolní automaticky v určitých intervalech díky automatickému odmrazení na zadní stěně. Uživatel nemusí odškrabávat námrazu nebo stírat kapky vody.

Voda po odmrazení stéká do drážky pro sběr vody a teče do výparníku odvodňovací trubicí, kde se sama vypařuje.

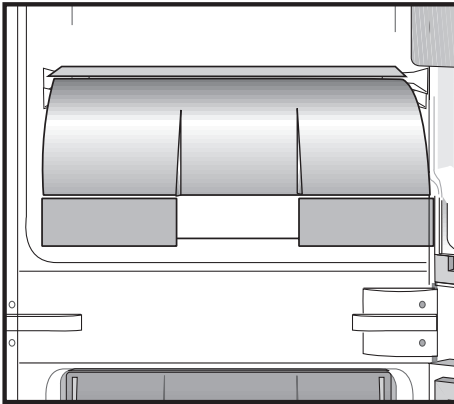
Pravidelně kontrolujte průchodnost odvodňovací trubice a podle potřeby ji čistěte.

Prostor chladničky se odmrazuje automaticky.



Prostor s nulovou teplotou

Tento prostor byl navržen k uskladnění mražených potravin, které pomalu roztávají (maso, ryby, kuře, atd.) podle potřeby. Prostor s nulovou teplotou je nejchladnější místo ve vaší chladničce, kde je možné skladovat mléčné výrobky (sýr, máslo), maso, ryby nebo kuře v ideálních podmínkách. Zelenina a/nebo ovoce v tomto prostoru neskladujte.



6 Údržba a čištění

- ⚠ Nikdy na čištění nepoužívejte benzin, technický benzin a podobné materiály.
- ⚠ Doporučujeme odpojit přístroj od sítě, než jej začnete čistit.
- Nikdy nepoužívejte brusné nástroje, mýdlo, domovní čistič, odmašťovač či voskové čisticí.
- Používejte vlažnou vodu pro vyčištění skříně a otřete ji pak dosucha.
- Používejte vlhký hadřík namočený do roztoku jedné čajové lžičky sody bikarbony na půl litru vody na vyčištění vnitřku, pak jej dosucha otřete.
- Zajistěte, aby do krytu světla a jiných elektrických prvků nepronikla voda.
- Pokud chladničku delší dobu nebudete používat, odpojte napájecí kabel, vyjměte všechny potraviny, vyčistěte jej a nechte dveře otevřené.
- Pravidelně kontrolujte těsnění dvířek, abyste zajistili jejich čistotu a nezanesení částěčkami potravin.
- Pro odstranění polic ve dveřích odstraňte všechny obsah a pak jen zvedněte dveřní polici vzhůru ze základny.

Ochrana plastových ploch

- Nevkládejte tekuté oleje nebo pokrmy s obsahem oleje do chladničky v neuzavřených nádobách, jelikož poškodí plastovou plochu vaší chladničky. V případě rozlití nebo rozetření oleje na plastové ploše vyčistěte a opláchněte příslušnou část plochy teplou vodou.

7 Doporučená řešení problémů

Než zavoláte do servisu, projděte si tento seznam. Možná vám ušetří čas a peníze. Tento seznam obsahuje časté stížnosti, které nejsou způsobeny vadným zpracováním či použitými materiály. Některé zde uvedené funkce nemusí být přítomny na vašem výrobku.

Chladnička nefunguje
<ul style="list-style-type: none">• Je chladnička řádně zapojena? Zasuňte zástrčku do sítě.• Není vypálena pojistka zástrčky, do níž je chladnička zapojena, nebo hlavní pojistka? Zkontrolujte pojistku.
Kondenzace na boční stěně prostoru chladničky. (MULTI ZONE, COOL CONTROL a FLEXI ZONE)
<ul style="list-style-type: none">• Velmi nízká teplota prostředí. Časté otevírání a zavírání dveří. Vysoká vlhkost v prostředí. Skladování potravin s obsahem kapalin v otevřených nádobách. Necháání otevřených dveří.• Přepnutí termostatu na nižší teplotu.• Snížení času otevřených dveří nebo méně časté použití.• Zakrytí potravin v otevřených nádobách vhodným materiálem.• Otřete kondenzaci suchým hadrem a ověřte, zda je stále přítomna.
Kompresor neběží
<ul style="list-style-type: none">• Tepelná pojistka kompresoru se zapne během náhlého výpadku energie nebo odpojení a zapojení, jelikož tlak chladicího média v chladicí soustavě chladničky není dosud vyvážen.• Vaše chladnička začne fungovat asi po 6 minutách. Kontaktujte servis, pokud se chladnička nespustí na konci této doby.• Chladnička je v režimu odmrazování. Toto je normální pro chladničku s plně automatickým odmrazováním. Cyklus odmražení probíhá pravidelně.• Chladnička není zapojena do zásuvky. Ověřte, zda je zásuvka pevně zasunuta do zásuvky.• Je správně nastavena teplota? Došlo k přerušení elektrické energie. Kontaktujte dodavatele elektrické energie.

Chladnička často běží nebo běží dlouhodobě.

- Nová chladnička může být širší než ta předchozí. Je to zcela normální. Četší chladničky fungují delší dobu.
- Okolní teplota prostředí může být vysoká. To je normální.
- Chladnička možná byla nedávno zapojena nebo byla naplněna potravinami. Ochlazování chladničky může trvat o pár hodin déle.
- V nedávné době jste do chladničky vložili velké množství teplých pokrmů. Horké pokrmy způsobují delší fungování chladničky až do dosažení bezpečné teploty pro uchování.
- Dveře se mohly otevřít častěji nebo byly ponechány dlouhou dobu otevřené. Teplý vzduch, který pronikl do chladničky, způsobil dlouhodobější chod chladničky. Otevírejte dveře méně často.
- Mraznička nebo dveře chladničky zůstaly dokořán. Zkontrolujte, zda jsou dveře pevně zavřeny.
- Chladnička je nastavena na velmi nízkou teplotu. Upravte teplotu chladničky na vyšší hodnotu a počkejte na dosažení této teploty.
- Těsnění dveří chladničky nebo mrazničky může být ušpiněno, opotřebené, prasklé nebo nesprávně usazené. Vyčistěte nebo vyměňte těsnění. Poškození/ prasklé těsnění způsobuje dlouhodobý chod chladničky pro udržení správné teploty.

Teplota mrazničky je velmi nízká, zatímco teplota v chladničce je dostatečná.

- Teplota mrazničky je nastavena na velmi nízkou teplotu. Upravte teplotu mrazničky na vyšší hodnotu a zkontrolujte ji.

Teplota chladničky je velmi nízká, zatímco teplota v mrazničce je dostatečná.

- Teplota chladničky je nastavena na velmi nízkou teplotu. Upravte teplotu chladničky na vyšší hodnotu a zkontrolujte ji.

Jídlo v chladničce začíná mrznout.

- Teplota chladničky je nastavena na velmi nízkou teplotu. Upravte teplotu chladničky na vyšší hodnotu a zkontrolujte ji.

Teplota v mrazničce nebo chladničce je velmi vysoká.

- Teplota chladničky je nastavena na velmi vysokou teplotu. Nastavení chladničky má vliv na teplotu v mrazničce. Změňte teplotu chladničky nebo mrazničky, dokud teplota v chladničce nebo mrazničce nedosáhne dostatečnou hodnotu.
- Dveře možná zůstaly dokořán. Řádně zavírejte dveře.
- V nedávné době jste do chladničky vložili velké množství teplých pokrmů. Počkejte, až chladnička nebo mraznička dosáhne požadované teploty.
- Chladnička byla nedávno zapojena. Chlazení chladničky trvá určitou dobu kvůli jejím rozměrům.

Z chladničky se ozývá zvuk podobný tikání analogových hodin.
<ul style="list-style-type: none"> • Tento zvuk vychází z elektromagnetického ventilu chladničky. Elektromagnetický ventil má zajistit průchod chladiva prostorem, který lze nastavit na teploty chlazení nebo mražení, a pro ochlazování. Je to normální a nejde o závadu.
Provozní hluk se zvyšuje, když je chladnička zapnutá.
<ul style="list-style-type: none"> • Provozní vlastnosti chladničky se mohou změnit podle výkyvů okolní teploty. Je to normální, nejde o poruchu.
Vibrace nebo hluk.
<ul style="list-style-type: none"> • Podlaha není rovná nebo je slabá. Chladnička se při pohybu kymácí. Ověřte, zda je podlaha rovná, pevná a unese chladničku. • Hluk mohou způsobovat předměty vkládané na chladničku. Tyto předměty sejměte z chladničky.
Ozývá se zvuk jako rozlévání kapaliny nebo stříkání.
<ul style="list-style-type: none"> • Proudění kapalin a plynu se může objevit v souladu s provozními zásadami vaší chladničky. Je to normální, nejde o poruchu.
Ozývá se hluk jako kvílení větru.
<ul style="list-style-type: none"> • Pro účinné chlazení chladničky se používají vzduchové aktivátory (ventilátory). Je to normální, nejde o poruchu.
Kondenzace na vnitřních stěnách chladničky.
<ul style="list-style-type: none"> • Horké a vlhké počasí zvyšuje tvorbu ledu a kondenzace. Je to normální, nejde o poruchu. • Dveře jsou dokořán. Ověřte, zda jsou dveře zcela zavřené. • Dveře se asi často otevíraly nebo zůstaly dlouhou dobu otevřené. Otevírejte dveře méně často.
Vlhkost na vnější straně chladničky nebo mezi dveřmi.
<ul style="list-style-type: none"> • Možná je vlhké počasí. Ve vlhkém počasí je to normální. Po poklesu vlhkosti kondenzace zmizí.
Nepříjemný zápach v chladničce.
<ul style="list-style-type: none"> • Chladničku je nutno vyčistit uvnitř. Vyčistěte vnitřek chladničky houbičkou, teplou vodou nebo karbonovou vodou. • Některé nádoby či obalové materiály mohou způsobit zápach. Použijte odlišnou nádobu nebo obalový materiál jiné značky.
Dveře se nezavírají
<ul style="list-style-type: none"> • Zabalené potraviny mohou bránit v zavírání dveří. Vyměňte obaly, které brání v chodu dveří. • Chladnička možná není zcela svislá a může se při mírném postrčení zakymáčet. Upravte seřizovací šrouby. • Podlaha není rovná či silná. Ověřte, zda je podlaha rovná a unese chladničku.
Přehrádky na čerstvé potraviny jsou zaseklé.
<ul style="list-style-type: none"> • Potraviny se možná dotýkají horní strany zásuvek. Upravte rozložení potravin v zásuvce.

Обязательно прочтите данное руководство!

Уважаемый покупатель!

Надеемся, что наше изделие, изготовленное на современном оборудовании, и прошедшее тщательный контроль качества, будет надежно служить вам.




Поэтому, прежде чем пользоваться прибором, рекомендуем внимательно изучить данное руководство и всегда держать его под рукой в качестве справочника.

Данное руководство

- Поможет вам быстро и безопасно пользоваться изделием.
 - Прежде чем устанавливать изделие и пользоваться им, прочтите руководство.
 - Соблюдайте инструкции, особенно в отношении техники безопасности.
 - Храните руководство в легко доступном месте, так как оно может понадобиться вам в будущем.
 - Кроме того, прочитайте другие документы, поставляющиеся в комплекте с изделием.
- Учтите, что данное руководство по эксплуатации может применяться и для других моделей.

Условные обозначения

В данном руководстве по эксплуатации используются следующие условные обозначения:

-  Важная информация или полезные советы по эксплуатации.
-  Предупреждение об опасности для жизни и имущества.
-  Предупреждение об опасном электрическом напряжении.

Переработка

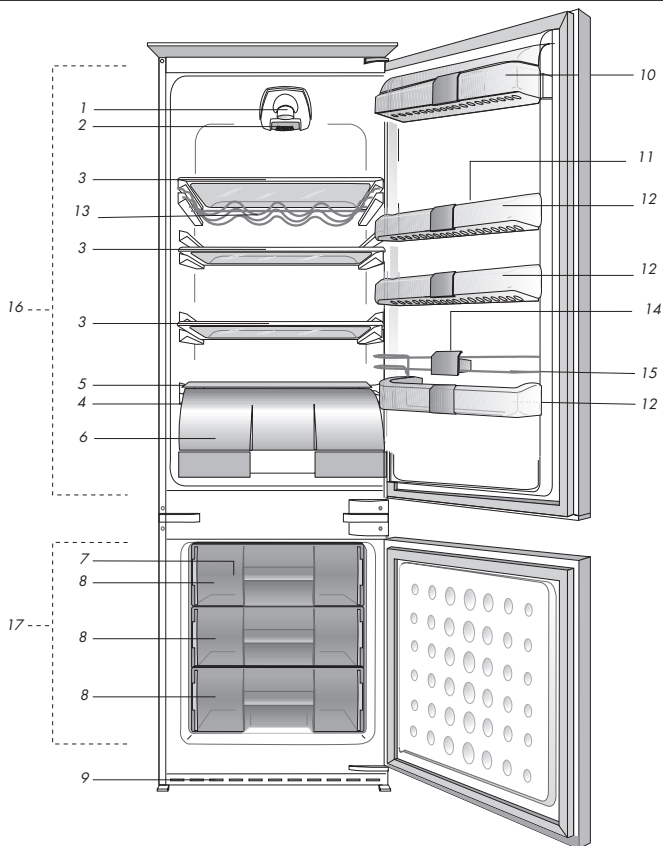


На данное изделие нанесен символ избирательной сортировки для отходов электрического и электронного оборудования (WEEE). Это значит, что с данным изделием следует обращаться в соответствии с Европейской Директивой 2002/96/EC с целью его переработки или разборки для уменьшения отрицательного воздействия на окружающую среду. За дополнительной информацией обратитесь в местные или региональные органы власти. Электронная техника, не включенная в процесс избирательной сортировки отходов, представляет потенциальную опасность для окружающей среды и здоровья людей из-за наличия в ней опасных веществ.

СОДЕРЖАНИЕ

1 Холодильник	3	4 Подготовка	13
2 Важные указания по технике безопасности	4	5 Эксплуатация холодильника	14
Использование по назначению	4	Регулятор температуры	14
Общие правила техники безопасности ...	4	Размораживание	14
Защита от детей	6	Камера нулевой температуры.....	15
Предупреждение органов здравоохранения	6	6 Обслуживание и чистка	16
Рекомендации по экономии электроэнергии.....	7	Защита пластмассовых поверхностей .	16
3 Установка	8	7 Рекомендации по устранению неисправностей	17
Подготовка	8		
Правила транспортировки холодильника	8		
Подготовка к эксплуатации	8		
Подключение к электросети	9		
Утилизация упаковки	9		
Утилизация старого холодильника	9		
Замена лампочки внутреннего освещения	10		
Перевешивание дверей	11		
Перевешивание дверей	12		

1 Холодильник



- | | |
|---|-----------------------------------|
| 1. Лампочка внутреннего освещения | 9. Вентиляционная решетка |
| 2. Регулятор температуры | 10. Камера для молочных продуктов |
| 3. Съёмные полки | 11. Лоток для яиц |
| 4. Канал для слива талой воды –
сливная трубка | 12. Съёмные полки на дверце |
| 5. Крышка контейнера для фруктов и
овощей | 13. Полка для бутылок |
| 6. Отделение 0°C | 14. Держатель для бутылок |
| 7. Контейнер для льда | 15. Проволочная рамка |
| 8. Морозильное отделение | 16. Холодильное отделение |
| | 17. Морозильное отделение |

i Иллюстрации в данной инструкции являются схематичными и могут не соответствовать вашей модели. Некоторые компоненты, которые не входят в состав приобретенного вами изделия, используются в других моделях.

2 Важные указания по технике безопасности

Просим изучить следующую информацию. В случае невыполнения данных указаний возможно получение травм или повреждение имущества. Кроме того, гарантийные обязательства и обязательства по эксплуатационной надёжности утратят силу.

Срок службы приобретенного вами изделия составляет 10 лет. Это срок, в течение которого предоставляются запасные части, необходимые для нормальной работы изделия.

Использование по назначению

- Данное изделие предназначено для бытового применения.
- Этот прибор предназначен для использования только в помещении. Его нельзя использовать вне помещений, даже под крышей.

Общие правила техники безопасности

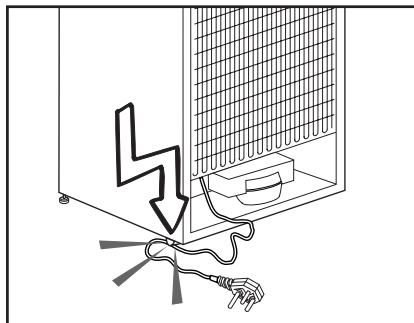
- В случае необходимости утилизировать или уничтожить изделие, рекомендуем обратиться за консультацией в фирменный сервисный центр, а также в местные органы власти для получения необходимой информации.
- По всем вопросам, касающимся холодильника, обращайтесь в фирменный сервисный центр. Не вмешивайтесь в работу изделия и не разрешайте этого делать другим без уведомления фирменного сервисного центра.
- Не ешьте мороженое и кубики льда сразу после их извлечения из морозильного отделения! Это может вызвать обморожение полости рта.
- Не помещайте напитки в бутылках и банках в морозильное отделение. Они могут разорваться.
- Не дотрагивайтесь до замороженных продуктов – они могут примерзнуть к рукам.
- Ни в коем случае не используйте для чистки и размораживания холодильника пар или аэрозольные чистящие средства. В этом случае пар может попасть на электрические компоненты, что приведет к короткому замыканию или поражению электрическим током.
- Никогда не используйте такие детали холодильника, как дверца, в качестве подставки или опоры.
- Не используйте электрические приборы внутри холодильника.
- Не допускайте повреждения холодильного контура, в котором циркулирует хладагент, например, режущими или сверлильными инструментами. Хладагент может вырваться из пробитого испарителя, трубопроводов или покрытий поверхности и вызвать раздражение кожи и поражение глаз.
- Ни в коем случае не закрывайте и не закупоривайте вентиляционные отверстия холодильника.
- Ремонт электрического оборудования должен выполняться только квалифицированными специалистами. Ремонт, выполненный некомпетентными лицами, может создать опасность для потребителя.
- В случае неполадок во время эксплуатации, а также при проведении техобслуживания или ремонта, отключите холодильник, выключив соответствующий предохранитель или вынув шнур питания из розетки.
- Не тяните за сетевой шнур, вынимая вилку из розетки.
- Крепкие спиртные напитки следует хранить в плотно закрытом виде и вертикальном положении.
- Запрещается хранить в холодильнике горючие предметы или продукты, содержащие легковоспламеняющиеся газы (например, в аэрозольных баллонах), а также взрывоопасные материалы.
- Не используйте для ускорения

процесса размораживания механические или другие устройства, кроме рекомендованных производителем.

- Данный электроприбор не предназначен для использования лицами (включая детей) с ограниченными физическими, сенсорными и интеллектуальными возможностями либо не имеющими опыта и знаний, если они не находятся под присмотром лица, ответственного за их безопасность, или не действуют по его указаниям в отношении правил пользования электроприборами.
- Не пользуйтесь неисправным холодильником. В сомнительных случаях обратитесь в сервисный центр.
- Электрическая безопасность может гарантироваться только в том случае, если система заземления в вашем доме соответствует стандартам.
- Воздействие на изделие дождя, снега, солнца или ветра опасно с точки зрения электробезопасности.
- В случае повреждения шнура питания и т.п., обратитесь в авторизованную сервисную службу, чтобы не подвергать себя опасности.
- Ни в коем случае не включайте холодильник в розетку во время установки. Это может привести к получению серьезных травм или смерти.
- Этот холодильник предназначен только для хранения пищевых продуктов. Его нельзя использовать для каких-либо иных целей.
- Табличка с описанием технических характеристик изделия расположена слева на внутренней стенке холодильника.
- Не подключайте холодильник к электронным системам экономии электроэнергии, поскольку это может привести к его поломке.
- При наличии в холодильнике синей подсветки не смотрите на нее через оптические устройства.
- При отключении от сети

электропитания холодильников с ручным управлением подождите минимум 5 минут, прежде чем подключать питание к устройству.

- Руководство по эксплуатации этого изделия следует передать следующему владельцу холодильника при продаже или передаче устройства.
- При перемещении холодильника убедитесь, что не будет поврежден шнур питания. Для предотвращения возгорания запрещено перекручивать шнур питания. Не следует ставить на шнур питания тяжелые предметы. При подключении холодильника к сети электропитания не прикасайтесь к розетке мокрыми руками.



- Не подключайте холодильник к плохо закрепленной розетке сети электропитания.
- Из соображений безопасности не допускайте попадания воды непосредственно на внешние или внутренние части холодильника.
- Не распыляйте рядом с холодильником воспламеняющиеся вещества, такие как газ пропан и т.п., ввиду риска пожара или взрыва.
- Не ставьте сосуды с водой на холодильник, поскольку это может привести к поражению электрическим током или пожару.
- Не перегружайте холодильник чрезмерным количеством продуктов. Они могут выпасть при открытии дверцы, что приведет к травмированию или повреждению холодильника.

Ничего не кладите на холодильник, поскольку эти предметы могут упасть при открывании или закрывании дверцы.

- В холодильнике нельзя хранить вещества, требующие определенных температурных условий, такие как вакцины, термочувствительные медикаменты, научные материалы и т.д.
- Холодильник следует отключать от сети электропитания, если он не будет использоваться в течение длительного периода времени. Нарушение изоляции электрического кабеля может привести к пожару.
- Необходимо регулярно очищать концы вилки шнура электропитания; несоблюдение этого условия может привести к пожару.
- Холодильник может смещаться, если регулируемые ножки не зафиксированы на полу. С помощью регулируемых ножек можно обеспечить устойчивость холодильника.
- Если на дверце холодильника имеется ручка, при перемещении холодильника не тяните его за ручку, поскольку она может отсоединиться от корпуса.
- Если устройство будет работать вблизи другого холодильника или морозильника, расстояние между ними должно составлять минимум 8 см. В противном случае на боковых стенках, находящихся напротив, будет образовываться конденсат.
- Давление в водопроводной линии не должно быть ниже 1 бара. Давление в водопроводной линии не должно быть выше 8 бар.
- Используйте только питьевую воду.

Защита от детей

- Если на дверце есть замок, ключ следует держать в недоступном для детей месте.
- Необходимо следить за тем, чтобы дети не играли с электроприбором.

Предупреждение органов здравоохранения

Холодильник с хладагентом R600a:

Этот газ огнеопасен, поэтому будьте осторожны, чтобы не повредить систему охлаждения и трубопроводы при эксплуатации и во время транспортировки. В случае повреждения уберите прибор подальше от потенциальных источников огня, которые могут привести к возгоранию, а также проветривайте помещение, в котором находится прибор.

Не обращайтесь внимания на предупреждение, если система охлаждения вашего устройства содержит R134a.

Сведения о том, какой именно хладагент используется, приведены на паспортной табличке, расположенной внутри холодильника слева.

Не подвергайте прибор действию огня!

Рекомендации по экономии электроэнергии

- Не оставляйте дверцу холодильника открытой на длительное время.
- Не кладите горячие продукты или напитки в ваш холодильник.
- Не перегружайте ваш холодильник, чтобы не нарушать циркуляцию воздуха.
- Не устанавливайте холодильник в местах, где на него попадают прямые солнечные лучи, или поблизости от источников тепла, таких как плита, посудомоечная машина или радиатор отопления.
- Следите за тем, чтобы контейнеры с продуктами были закрыты.
- Чтобы в максимальной степени использовать пространство морозильной камеры для хранения продуктов, выньте из морозильного отделения верхнюю полку или выдвижной контейнер. Данные об энергопотреблении холодильника приведены для условий, когда полка или выдвижной контейнер вынуты, и морозильное отделение полностью загружено. Полку и контейнер можно использовать для замораживания продуктов в соответствии с их формой и размером.

3 Установка

Помните, что производитель не несет ответственности в случае несоблюдения указаний, приведенных в данном руководстве.

Подготовка

- i** Холодильник следует устанавливать на расстоянии не меньше 30 см от источников тепла, таких как варочные панели, плиты, батареи центрального отопления и печи, и на расстоянии не меньше 5 см от электрических плит, в местах, куда не попадает прямой солнечный свет.
- i** Температура воздуха в помещении, где устанавливается холодильник, должна быть не менее 10°C. Использовать холодильник при более низкой температуре не рекомендуется в связи с его низкой эффективностью в таких условиях.
- i** Содержите внутреннее пространство холодильника в чистоте.
- i** Если два холодильника устанавливаются рядом, то между ними должно быть расстояние не менее 2 см.
- i** При первом включении холодильника в течение первых шести часов работы обязательно соблюдайте следующие правила.
 - Не открывайте дверцу слишком часто.
 - Не загружайте в холодильник продукты.
 - Не отключайте холодильник от сети. Если произошло отключение электроэнергии не по вашей вине, см. указания в разделе «Рекомендации по устранению неполадок».
- i** Фирменную упаковку и пленку следует сохранить на случай последующей транспортировки прибора.

Правила транспортировки холодильника

1. Перед транспортировкой следует вынуть из холодильника все продукты и вымыть его.
2. Перед упаковкой следует надежно закрепить все полки, оборудование, контейнеры для фруктов и овощей и т.п. при помощи клейкой ленты, чтобы предохранить их от тряски.
3. Холодильник следует обвязать лентами из плотного материала и прочными веревками. При транспортировке следует придерживаться правил напечатанных на упаковке.

Пожалуйста, помните...

Вторичное использование материалов очень важно для сохранения природы и наших национальных богатств.

Если вы решите отправить упаковочные материалы на переработку, обратитесь за подробной информацией в организации по охране окружающей среды или в местные органы власти.

Подготовка к эксплуатации

Перед началом эксплуатации холодильника проверьте следующее:

1. Сухо ли внутри холодильника, и может ли воздух свободно циркулировать позади него?
2. Выполните чистку холодильника в соответствии с рекомендациями, приведенными в разделе «Обслуживание и чистка».
3. Подключите холодильник к электрической сети. При открытии двери холодильника загорается лампочка внутреннего освещения

холодильника.

4. При запуске компрессора будет слышен шум. Жидкость и газы, находящиеся внутри герметичной системы охлаждения, также могут создавать шум, независимо от того, работает компрессор или нет, что является вполне нормальным явлением.
5. Передние кромки холодильника могут казаться теплыми на ощупь. Это нормально. Эти области подогреваются, чтобы предупредить конденсацию.

Подключение к электросети

Подсоедините холодильник к заземленной розетке с предохранителем соответствующего номинала.

Важное замечание

Подключение следует выполнять в соответствии с местными нормами и правилами.

Место подключения шнура питания должна быть легкодоступным.

Напряжение и допустимые параметры предохранителей указаны в разделе "Технические характеристики".

Напряжение в сети должно соответствовать данным, указанным в характеристиках холодильника.

Запрещается использовать при установке удлинители и многоместные розетки.

В случае повреждения шнура питания его замену должен быть выполнять квалифицированный электрик.

Запрещается пользоваться неисправным электроприбором! Это может привести к поражению электрическим током.

Утилизация упаковки

Упаковочные материалы могут быть опасны для детей. Храните упаковочные материалы в недоступном для детей месте или утилизируйте его, рассортировав в соответствии с правилами утилизации отходов. Не утилизируйте их вместе с обычными бытовыми отходами.

Упаковка холодильника изготовлена из материалов, подлежащих вторичной переработке.

Утилизация старого холодильника

Утилизация старого изделия должна выполняться экологически безопасным способом.

Сведения об утилизации прибора можно получить у официального дилера или в пункте сбора отходов по месту жительства.

Перед утилизацией холодильника следует отрезать шнур питания и сломать замки на дверцах (при наличии), чтобы предотвратить опасные ситуаций для детей.

Замена лампочки внутреннего освещения

Если лампа вышла из строя, выполните следующие действия.

1 – Выключите холодильник и выньте вилку из розетки электросети.

Для более удобного доступа можно снять полки.

2 – При помощи плоской отвертки снимите плафон.

3 – Сначала убедитесь в том, что лампа неисправна, плотно вкрутив ее в патрон. Вставьте вилку в розетку и включите холодильник.

Если лампа оказалась исправной, установите на место плафон, вставив сначала задний выступ, а затем прижмите его кверху, чтобы установить на место два передних выступа.

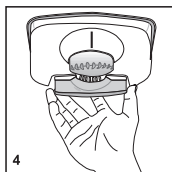
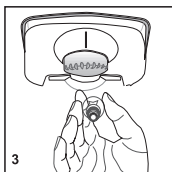
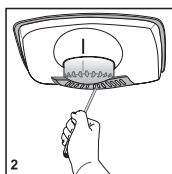
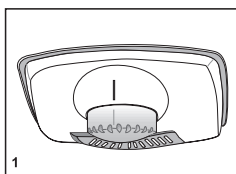
4 – Если лампа действительно неисправна, выключите холодильник и выньте вилку из розетки электросети. Замените лампу на новую (с максимальной мощностью 15 Вт) с соответствующим цоколем (SES).

5 – Сразу же, соблюдая осторожность, выбросьте перегоревшую лампу.

Запасную электролампу можно приобрести в магазине электротоваров или хозяйственных товаров.

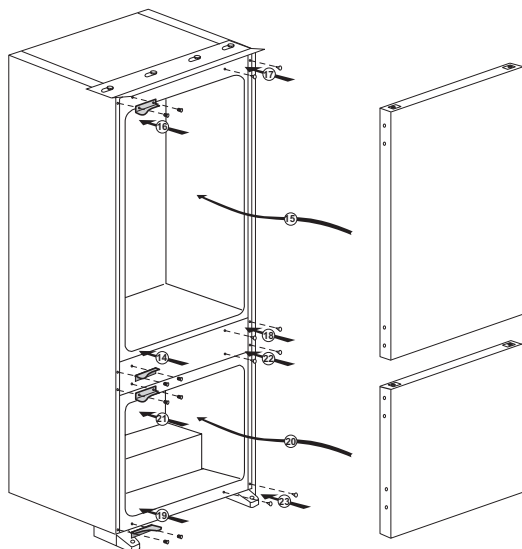
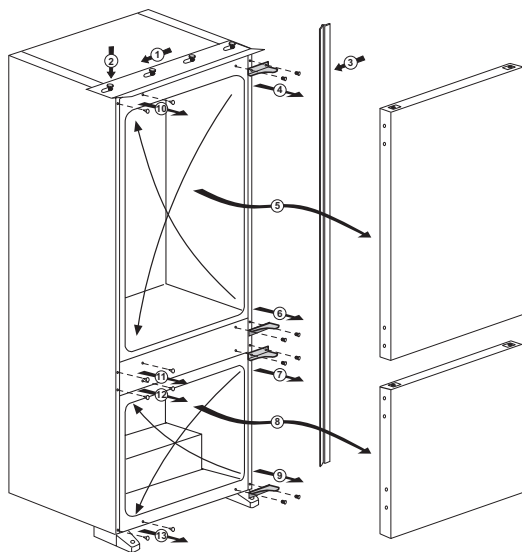
i Этот прибор, в котором предусмотрены описанные в таблице температурные режимы, оснащен электронной системой регулирования температуры [Advanced Electronic Temperature Control System, АЕТСS], благодаря которой при установке рекомендованного режима [положение регулятора термостата 4] в морозильном отделении поддерживается постоянная температура, и замороженные продукты не растают, даже если температура в помещении упадет до -15 °С. После достижения устойчивого рабочего режима прибор можно перенести в другое место, например, в гараж или другое неотапливаемое помещение, не опасаясь, что продукты могут растаять. Однако учтите, что при очень низкой температуре в помещении продукты в морозильном отделении могут смерзнуться. Поэтому следует регулярно проверять морозильное отделение и использовать хранящиеся там продукты. Когда температура в помещении снова станет нормальной, можно при необходимости установить регулятор термостата в другое положение.

i Если температура помещения ниже 0 °С, продукты в холодильном отделении заморозятся, поэтому не рекомендуем использовать холодильное отделение при таких низких температурах. При этом морозильное отделение холодильника будет работать как обычно.



Перевешивание дверей

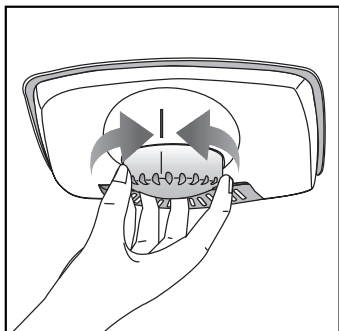
Выполните описанные действия в указанной последовательности.



4 Подготовка

- i** Холодильник следует устанавливать в местах, куда не попадает прямой солнечный свет, на расстоянии не менее 30 см от источников тепла, таких как варочные панели, плиты, батареи центрального отопления и печи, и на расстоянии не менее 5 см от электрических плит.
- i** Температура воздуха в помещении, где устанавливается холодильник, должна быть не менее 10°C. Использовать холодильник при более низкой температуре не рекомендуется в связи с его низкой эффективностью в таких условиях.
- i** Содержите внутреннее пространство холодильника в чистоте.
- i** Если два холодильника устанавливаются рядом, то между ними должно быть расстояние не менее 2 см.
- i** При первом включении холодильника в течение первых шести часов работы обязательно соблюдайте следующие правила.
 - Не открывайте дверцу слишком часто.
 - Не загружайте в холодильник продукты.
 - Не отключайте холодильник от электрической сети. Если произошло отключение электроэнергии не по вашей вине, см. указания в разделе «Рекомендации по устранению неполадок».
- i** Фирменную упаковку и пленку следует сохранить на случай последующей транспортировки прибора.

5 Эксплуатация холодильника



Регулятор температуры

Внутренняя температура в холодильнике изменяется по следующим причинам:

- Сезонные изменения температуры
- Частое открывание дверцы и дверца, оставленная открытой на долгое время
- Помещение продуктов в холодильник без предварительного охлаждения до комнатной температуры
- Неудачное расположение холодильника в помещении (например, в месте прямого попадания солнечного света).
- При изменении внутренней температуры по таким причинам можно отрегулировать температуру с помощью термостата. Цифры вокруг регулятора означают степень охлаждения.
- Когда температура в помещении от 0 °С до -15 °С, то чтобы поддерживать в морозильной камере температуру -18 °С, рекомендуется устанавливать регулятор на отметку 4. Для установки более низкой температуры регулятор необходимо поворачивать в направлении положения "max" (максимально низкая температура).
- Чтобы в максимальной степени использовать пространство морозильной камеры для хранения продуктов, выньте из морозильного отделения верхнюю крышку. Данные об энергопотреблении холодильника приведены для условий, когда верхняя крышка вынута, и морозильная камера полностью загружена.

Размораживание

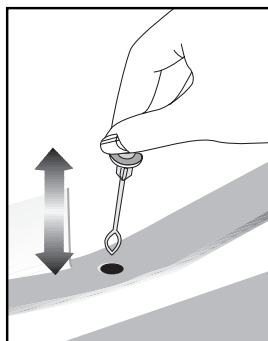
Холодильное отделение

Холодильная камера размораживается автоматически. Во время работы холодильника стекающие капли воды могут образовать на задней стенке холодильной камеры слой наледи толщиной до 7-8 мм. Такая наледь является обычным явлением, которое связано с особенностями работы системы охлаждения. Эта наледь периодически удаляется с помощью системы автоматического размораживания, которая находится на задней стенке холодильника. Пользователю не нужно самому счищать лед или вытирать капли воды.

Талая вода, которая образуется при размораживании, стекает по желобу в сливную трубку, попадает на испаритель и там испаряется.

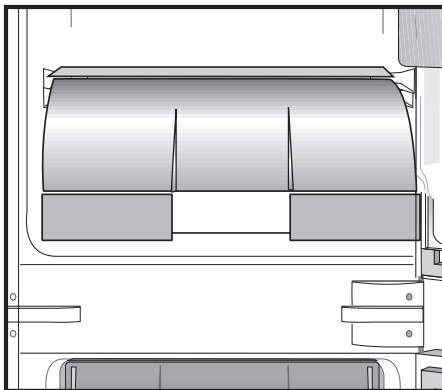
Регулярно проверяйте, не засорилась ли сливная трубка, и при необходимости прочищайте ее палочкой через сливное отверстие.

Морозильная камера размораживается автоматически.



Камера нулевой температуры

Эта камера предназначена для медленного оттаивания замороженных продуктов (мяса, рыбы, птицы и т.д.) в случае необходимости. Камера нулевой температуры – это самое холодное место в холодильнике с идеальными условиями для хранения молочных продуктов (сыр, масло), мяса, рыбы или птицы; в нее нельзя помещать овощи и фрукты.



6 Обслуживание и чистка

- ⚠ Ни в коем случае не используйте бензин, бензол или подобные вещества для чистки.
- ⚠ Перед чисткой рекомендуем отсоединить изделие от электросети.
- ⓘ Не используйте для чистки острые абразивные инструменты, мыло, бытовые чистящие средства, моющие средства и восковую политуру.
- ⓘ Корпус изделия промойте теплой водой и затем вытрите насухо.
- ⓘ Протрите внутреннюю поверхность изделия хорошо отжатой тканью, смоченной в растворе питьевой соды (1 чайная ложка на пол-литра воды), и вытрите насухо.
- ⚠ Не допускайте попадания воды в корпус лампочки и в другие электрические компоненты.
- ⚠ Если холодильник не будет использоваться в течение длительного времени, отключите сетевой шнур, извлеките все продукты, выполните чистку и оставьте дверцу приоткрытой.
- ⓘ Регулярно проверяйте, не испачкан ли уплотнитель дверцы частицами пищи.
- ⓘ Для снятия полок в дверце полностью разгрузите их, а затем просто приподнимите вверх.

Защита пластмассовых поверхностей

- Не храните жидкое масло или продукты, приготовленные с добавлением масла, в морозильной камере в открытых контейнерах, так как они могут повредить пластмассовые поверхности. Если же масло протекло или попало на пластмассовую поверхность, сразу же очистите и промойте это место теплой водой.

7 Рекомендации по устранению неисправностей

Прежде чем обращаться в сервисный центр, просмотрите этот перечень. Это может помочь сэкономить время и деньги. Ниже перечислены часто возникающие проблемы, причиной которых не являются дефекты производства или материалов. Некоторые из описанных здесь функций могут отсутствовать в вашей модели.

Холодильник не работает.
<ul style="list-style-type: none">• Правильно ли включен холодильник в сеть? Вставьте вилку в розетку электросети.• Не перегорел ли предохранитель розетки, в которую включен холодильник, или главный предохранитель? Проверьте предохранитель.
Конденсация на боковой стенке отделения холодильника (MULTI ZONE, COOL CONTROL и FLEXI ZONE).
<ul style="list-style-type: none">• Очень низкая температура окружающей среды. Частое открывание и закрывание дверцы. Изделие работает в условиях повышенной влажности. Хранение продуктов, содержащих жидкость, в открытых контейнерах. Неплотно закрыта дверца.• Переключите термостат на более низкую температуру.• Сократите периоды, когда дверца остается открытой, или открывайте ее реже.• Накройте продукты, хранящиеся в открытых контейнерах, подходящим материалом.• Вытрите конденсат сухой тканью и проверьте, не образуется ли он снова.
Не работает компрессор
<ul style="list-style-type: none">• Термозащита компрессора может сработать при неожиданных отключениях энергоснабжения либо при выключении-включении прибора, поскольку давление хладагента в системе охлаждения не успевает стабилизироваться.• Холодильник начнет работать примерно через 6 минут. Если по истечении этого времени холодильник не заработал, обратитесь в сервисный центр.• Холодильник находится в режиме размораживания. Это нормально для холодильника с автоматическим размораживанием. Размораживание выполняется регулярно.• Холодильник не включен в розетку электросети. Убедитесь, что вилка плотно вставлена в розетку электросети.• Правильно ли отрегулирована температура? Нарушение подачи электроэнергии. Обратитесь к поставщику электроэнергии.

<p>Холодильник включается слишком часто или работает слишком долго.</p>
<ul style="list-style-type: none"> • Новый холодильник может быть больше того, которым вы пользовались раньше. Это вполне нормально – большие холодильники работают в течение более длительных периодов времени. • Возможно, температура в помещении повышена. Это вполне нормально. • Возможно, холодильник был недавно включен или только что загружен продуктами. Полное охлаждение холодильника может продолжаться на несколько часов дольше. • Возможно, в холодильник недавно поместили большое количество горячих продуктов. Из-за наличия горячих продуктов холодильник будет работать дольше, чтобы достичь нужной температуры хранения. • Возможно, дверцы часто открываются либо оставались приоткрытыми в течение длительного времени. При попадании в холодильник теплого воздуха, он будет работать дольше. Открывайте дверцы реже. • Неплотно закрыта дверца морозильного или холодильного отделения. Проверьте, плотно ли закрыты дверцы. • Холодильник отрегулирован на очень низкую температуру. Установите в холодильнике более высокую температуру и подождите, пока установленная температура не будет достигнута. • Возможно, уплотнитель дверцы холодильного или морозильного отделения загрязнен, изношен, разорван или неправильно установлен. Почистите или замените уплотнитель. Из-за поврежденного или разорванного уплотнителя холодильник будет работать дольше, чтобы поддерживать текущую температуру.
<p>Температура в морозильном отделении слишком низкая, в то время как температура в холодильном отделении достаточная.</p>
<ul style="list-style-type: none"> • Температура морозильного отделения установлена на очень низкое значение. Установите в морозильном отделении более высокую температуру и проверьте работу.
<p>Температура холодильного отделения очень низкая, в то время как температура в морозильном отделении достаточная.</p>
<ul style="list-style-type: none"> • Температура в холодильном отделении установлена на очень низкое значение. Установите в холодильном отделении более высокую температуру и проверьте работу.
<p>Замерзают продукты в выдвижных контейнерах холодильного отделения.</p>
<ul style="list-style-type: none"> • Температура в холодильном отделении установлена на очень низкое значение. Установите в холодильном отделении более высокую температуру и проверьте работу.
<p>Температура в холодильном и морозильном отделении слишком высокая.</p>
<ul style="list-style-type: none"> • Температура в холодильном отделении установлена на очень высокое значение. Температура в холодильном отделении влияет на температуру в морозильном отделении. Изменяйте температуру в холодильном или морозильном отделении, пока не будет достигнут нужный уровень температуры. • Возможно, неплотно закрыта дверца. Полностью закройте дверцу. • Возможно, в холодильник недавно поместили большое количество горячих продуктов. Подождите, пока холодильное или морозильное отделение достигнет нужной температуры. • Возможно, холодильник был недавно включен в сеть. Для полного охлаждения потребуется некоторое время из-за большого размера холодильника.

Из холодильника доносится шум, похожий на тиканье механических часов.
<ul style="list-style-type: none"> Этот шум вызван работой электромагнитного клапана холодильника. Он обеспечивает прохождение хладагента, который выполняет охлаждение, через отделения холодильника, в которых установлена температура охлаждения или замораживания. Это вполне нормально и не является неисправностью.
Уровень рабочего шума повышается во время работы холодильника.
<ul style="list-style-type: none"> Рабочие характеристики изделия могут изменяться в зависимости от изменений температуры окружающей среды. Это нормально и не является неисправностью.
Вибрация или шум.
<ul style="list-style-type: none"> Пол неровный или нежесткий. Холодильник медленно перемещается и при этом дрожит. Убедитесь в том, что пол ровный и достаточно прочный, чтобы выдержать вес изделия. Шум могут вызывать предметы, которые находятся на холодильнике. Такие предметы следует убрать с холодильника.
Слышен шум льющейся или разбрызгивающейся жидкости.
<ul style="list-style-type: none"> Расход жидкости и газа изменяется в соответствии с принципами работы изделия. Это нормально и не является неисправностью.
Слышен шум, похожий на шум ветра.
<ul style="list-style-type: none"> Для обеспечения эффективного охлаждения в холодильнике используются устройства подачи воздуха (вентиляторы). Это нормально и не является неисправностью.
Конденсация влаги на внутренних стенках холодильника.
<ul style="list-style-type: none"> Жаркая и влажная погода способствует образованию льда и конденсации влаги. Это нормально и не является неисправностью. Дверцы приоткрыты. Убедитесь, что дверцы полностью закрыты. Возможно, дверцы открывались очень часто, или дверца оставалась открытой длительное время. Открывайте дверцу реже.
Появление влаги снаружи холодильника или между дверцами.
<ul style="list-style-type: none"> Возможно, причина во влажной погоде. Это вполне нормально при влажной погоде. Когда влажность уменьшится, конденсация исчезнет.
Неприятный запах внутри холодильника.
<ul style="list-style-type: none"> Следует выполнить чистку внутри холодильника. Протрите холодильник внутри губкой, смоченной в теплой воде или в газированной воде. Некоторые контейнеры или упаковочные материалы также могут быть источником запаха. Используйте другой контейнер или упаковочный материал другой марки.
Дверца (дверцы) не закрывается (не закрываются).
<ul style="list-style-type: none"> Упаковки продуктов могут препятствовать закрыванию дверцы. Переместите упакованные продукты, препятствующие закрыванию дверцы. Возможно, холодильник стоит не совсем вертикально, это может вызвать дрожание при любом перемещении. Отрегулируйте регулировочные винты. Пол неровный или нежесткий. Убедитесь в том, что пол ровный и может выдержать вес холодильника.
Контейнеры для фруктов и овощей прилипли.
<ul style="list-style-type: none"> Возможно, продукты касаются верхней части контейнера. Переместите продукты в контейнере.

Por favor, leia primeiro este manual!

Caro cliente,

Esperamos que o seu produto, que foi produzido em modernas instalações e testado através de rigorosos controlos de qualidade, ofereça-lhe um serviço efectivo.

Para isso, recomendamos que leia cuidadosa e inteiramente o manual do seu produto antes de utilizá-lo e guarde-o para futuras consultas.

Este manual

- Ajudá-lo-á a utilizar o seu equipamento de forma rápida e segura.
 - Leia o manual antes de instalar e funcionar o seu equipamento.
 - Siga as instruções, especialmente aquelas relativas à segurança.
 - Guarde o manual num local acessível, já que poderá precisar dele mais tarde.
 - Além disso, leia também os outros documentos fornecidos com o seu produto.
- Observe que este manual também pode ser válido para outros modelos.

Os símbolos e as suas descrições

Este manual de instruções contém os seguintes símbolos:



Informações importantes ou dicas úteis de utilização.



Aviso sobre as condições de risco para a vida e a propriedade.



Aviso sobre a voltagem eléctrica.

Reciclagem



Este produto ostenta o símbolo de classificação selectiva para resíduos de equipamentos eléctricos e electrónicos (REEE).

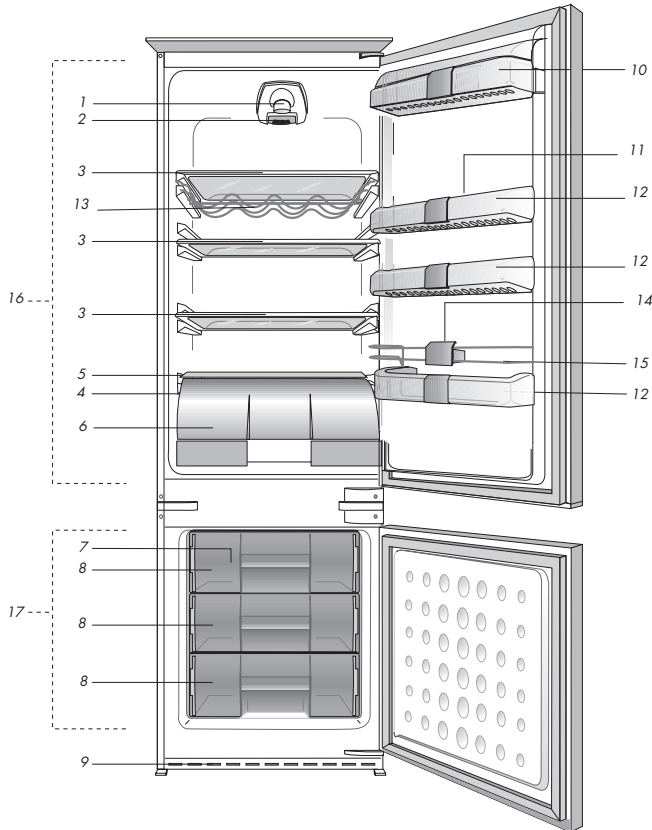
Isto significa que este produto deve ser tratado de acordo com a Directiva Europeia 2002/96 EC para que seja reciclado ou desmantelado afim de minimizar o seu impacto no meio ambiente. Para mais informações, contacte por favor as suas autoridades locais ou regionais.

Os produtos electrónicos não incluídos neste processo de classificação selectiva são potencialmente perigosos para o ambiente e para a saúde humana devido à presença de substâncias perigosas.

CONTEÚDO

1 O seu frigorífico	3	4 Preparação	12
2 Avisos importantes de segurança	4	5 Utilizar o seu frigorífico	13
Usado pretendido.....	4	Compartimento de temperatura zero	14
Segurança geral	4	6 Manutenção e limpeza	15
Segurança com crianças	6	Protecção das superfícies plásticas	15
Aviso HCA.....	6	7 Soluções recomendadas para os problemas	16
O que se pode fazer para economizar energia	6		
3 Instalação	7		
Pontos a serem considerados ao transportar novamente o seu frigorífico.....	7		
Antes de funcionar o seu frigorífico....	7		
Eliminação da embalagem.....	7		
Eliminação do seu frigorífico velho	7		
Colocação e instalação	7		
Substituição da lâmpada interior	8		
Inverter as portas.....	10		
Inverter as portas.....	11		

1 O seu frigorífico



- | | |
|---|---|
| 1. Luz interior | 9. Grelha de ar |
| 2. Botão de definição da temperatura | 10. Compartimento para produtos lácteos |
| 3. Prateleiras ajustáveis | 11. Tabuleiro para ovos |
| 4. Canal de recolha da água da descongelação - Tubo de drenagem | 12. Prateleiras da porta ajustáveis |
| 5. Tampa da gaveta para frutos e legumes | 13. Prateleira para garrafas |
| 6. Compartimento de 0° C | 14. Suporte para garrafas |
| 7. Banco de gelo | 15. Protecção metálica para garrafas |
| 8. Compartimento do congelador | 16. Compartimento do refrigerador |
| | 17. Compartimento do congelador |

As figuras que aparecem neste manual de instruções são esquemáticas e podem não corresponder exactamente ao seu produto. Se as partes referidas não estiverem incluídas no produto que adquiriu, é porque são válidas para outros modelos.

Por favor, reveja as informações seguintes. Se as mesmas não forem seguidas, podem ocorrer ferimentos pessoais ou danos materiais. Caso contrário, todas as garantias e compromissos de fiabilidade tornar-se-ão inválidos.

A vida útil da unidade que adquiriu é de 10 anos. Este é o período para manter as peças de reposição exigidas para a unidade a funcionarem conforme descrito.

Uso pretendido

- O aparelho destina-se a ser usado em aplicações domésticas e semelhantes, tais como
 - áreas da cozinha do pessoal em lojas, escritórios e outros locais de trabalho;
 - casas de quintas e por clientes em hotéis, residenciais e outros tipos de locais de hospedagem;
 - locais do tipo cama e pequeno almoço;
 - aplicações de catering e grossistas semelhantes.
- Não deve ser usado no exterior. Não é apropriado utilizá-lo no exterior, mesmo que o local esteja coberto com um telhado.

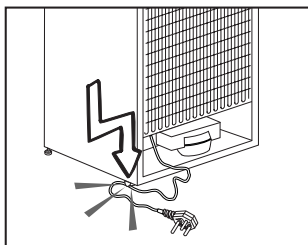
Segurança geral

- Quando quiser eliminar/desfazer-se do produto, recomendamos que consulte o serviço de assistência e os órgãos autorizados para obter mais informações.
- Consulte o seu serviço de assistência autorizado para todas as questões e problemas relativos ao frigorífico. Não tente reparar e nem permita que ninguém o faça sem notificar os serviços de assistência autorizados.
- Não coma cones de gelados e cubos de gelo imediatamente após retirá-los do compartimento do congelador! (Isto pode provocar queimaduras de frio na sua boca).
- Não coloque bebidas líquidas enlatadas ou engarrafadas no compartimento do congelador. Caso contrário, podem rebentar.
- Não toque nos alimentos congelados; podem ficar presos à sua mão.

- O vapor e materiais de limpeza vaporizados nunca deverão ser utilizados nos processos de limpeza e descongelação do seu frigorífico. Em tais casos, o vapor pode entrar em contacto com as partes eléctricas e provocar curto-circuito ou choque eléctrico.
- Nunca use as partes do seu frigorífico, tal como a porta, como meios de apoio ou degrau.
- Não utilize dispositivos eléctricos dentro do frigorífico.
- Não danifique o circuito de arrefecimento por onde circula a refrigeração, com ferramentas perfurantes ou cortantes. O refrigerante que pode explodir quando os canais de gás do evaporador, as extensões do tubo ou os revestimentos da superfície são perfurados, pode causar irritações na pele ou ferimentos nos olhos.
- Não cubra ou bloqueie os orifícios de ventilação do seu frigorífico com nenhum tipo de material.
- As reparações de aparelhos eléctricos devem ser feitas apenas por pessoal qualificado. As reparações realizadas por pessoas incompetentes podem causar riscos ao utilizador.
- Em caso de qualquer falha quer durante uma manutenção ou num trabalho de reparação, desligue a alimentação eléctrica do seu frigorífico, desligando o fusível correspondente ou retirando a ficha da tomada.
- Não puxe pelo cabo quando for retirar a ficha da tomada.
- Coloque as bebidas com teor alcoólico mais elevado bem fechadas e na vertical.
- Não guarde neste produto substâncias explosivas, tais como latas de aerossóis com propelente inflamável.
- Não utilize dispositivos mecânicos ou outros meios para acelerar o processo de descongelação; utilize apenas os recomendados pelo fabricante.
- Este equipamento não se destina à utilização por pessoas (incluindo crianças)

com capacidades físicas, sensoriais ou mentais reduzidas ou sem experiência e conhecimento, a não ser que sejam supervisionadas ou instruídas sobre a utilização do equipamento por uma pessoa responsável pela sua segurança.

- Não utilize um frigorífico avariado. Consulte o seu serviço de assistência autorizado se tiver qualquer dúvida.
- A segurança eléctrica do seu frigorífico apenas poderá ser garantida se o sistema de ligação à terra da sua casa estiver em conformidade com as normas.
- A exposição do produto à chuva, neve, sol e vento é perigosa no que toca à segurança eléctrica.
- Contacte a assistência autorizada quando houver algum dano no cabo eléctrico, etc., para que não haja algum perigo para si.
- Nunca ligue o frigorífico à tomada de parede durante a instalação. Caso contrário, poderá ocorrer perigo de morte ou ferimentos graves.
- Este frigorífico foi concebido unicamente para guardar alimentos. Não deverá ser utilizado para quaisquer outros fins.
- O rótulo que descreve as especificações técnicas do produto encontra-se localizado na parte interior esquerda do frigorífico.
- Não ligue o frigorífico a sistemas electrónicos de poupança de energia, visto que eles podem danificar o produto.
- Se o frigorífico possuir luz azul, não olhe para ela através de dispositivos ópticos.
- Se a alimentação eléctrica for desligada em frigoríficos controlados manualmente, por favor, espere, pelo menos, 5 minutos antes de voltar a ligar a alimentação.
- O manual deste produto deverá ser entregue ao próximo dono do frigorífico, caso mudar de dono.
- Quando mover o frigorífico, certifique-se de não danificar o cabo de alimentação. A fim de evitar incêndio, o cabo de alimentação não deverá ser torcido. Não devem ser colocados sobre o cabo de alimentação objectos pesados. Quando o frigorífico for ligado à tomada, não mexa na tomada de alimentação com as mãos molhadas.



- Não ligue o frigorífico à tomada, se a tomada eléctrica estiver solta.
- Por razões de segurança, não derrame directamente água sobre as partes internas ou externas do frigorífico.
- Devido ao risco de incêndio e explosão, não vaporize materiais inflamáveis, tais como gás propano, etc., próximo ao frigorífico.
- Não coloque recipientes que contenham água sobre o topo do frigorífico, visto que tal poderá resultar em choque eléctrico ou incêndio.
- Não sobrecarregue o frigorífico com excesso de alimentos. Os alimentos em excesso poderão cair quando se abre a porta, podendo provocar ferimentos em si ou danificar o frigorífico. Não coloque objectos no topo do frigorífico, visto que estes podem cair quando se abre ou fecha a porta do frigorífico.
- Os materiais que requerem determinadas condições de temperatura tais como vacinas, medicamentos sensíveis à temperatura, materiais científicos, etc, não deverão ser guardados no frigorífico.
- Se o frigorífico não vier a ser utilizado durante um grande período de tempo, deverá ser desligado da tomada eléctrica. Um problema no isolamento do cabo de alimentação poderá resultar em incêndio.
- A extremidade da ficha eléctrica deverá ser limpa regularmente, caso contrário, poderá provocar incêndio.
- O frigorífico poderá mover-se quando os pés ajustáveis não estiverem firmemente colocados no pavimento. Ao utilizar os pés ajustáveis, assegure-se que o frigorífico fica firmemente colocado no pavimento.
- Se o frigorífico possuir um puxador de porta, quando deslocar o frigorífico, não

utilize este puxador uma vez que ele pode soltar-se do frigorífico.

- Se tiver de operar o seu equipamento junto de outro frigorífico ou congelador, a distância entre os equipamentos deverá ser, pelo menos, de 8 cm. Caso contrário poderá ocorrer condensação nas paredes laterais de cada um deles.
- A pressão de fornecimento da água não deve estar abaixo de 1 bar, nem deve ser acima de 8 bars.
- Use apenas água potável.

Segurança com crianças

- Se a porta possuir uma fechadura, a chave deverá ser mantida afastada do alcance das crianças.
- As crianças devem ser supervisionadas para garantir que não brinquem com o equipamento.

Aviso HCA

Se o seu produto estiver equipado com um sistema de refrigeração que contém R600a:

Este gás é inflamável. Por isso, tenha cuidado em não danificar o sistema de arrefecimento e a tubagem durante o uso e transporte. No caso de algum dano, mantenha o seu produto longe de potenciais fontes de fogo que possam fazer com que o produto de incendeie e ventile o compartimento no qual a unidade está colocada.

Ignore o aviso se o seu produto estiver equipado com um sistema de refrigeração que contém R134a.

Pode verificar o gás usado na fabricação do seu produto na placa de características localizada na sua parte interna esquerda.

Nunca elimine o seu produto no fogo.

O que se pode fazer para economizar energia

- Não deixe as portas do seu frigorífico abertas por um longo tempo.
- Não coloque alimentos ou bebidas quentes no seu frigorífico.
- Não sobrecarregue o seu frigorífico para que a circulação do ar no interior não seja dificultada.
- Não instale o seu frigorífico sob a luz solar directa ou próximo de aparelhos que emitem calor tais como fornos, máquinas de lavar louça ou radiadores.
- Tenha cuidado em manter os seus alimentos em recipientes fechados.
- Quantidade máxima de alimentos que pode ser colocada no compartimento do congelador do seu frigorífico quando a prateleira ou gaveta do compartimento do congelador está removida. O valor declarado do consumo de energia do seu frigorífico foi determinado quando a gaveta ou prateleira do compartimento do congelador estava removida e sob uma carga máxima de alimentos. Não há qualquer risco em usar uma prateleira ou gaveta de acordo com os formatos e tamanhos dos alimentos a serem congelados.

3 Instalação

⚠ Por favor, lembre-se de que o fabricante não pode ser responsabilizado se não forem observadas as informações fornecidas no manual de instruções.

Pontos a serem considerados ao transportar novamente o seu frigorífico

1. O seu frigorífico deve ser esvaziado e limpo antes de ser transportado.
2. As prateleiras, acessórios, gaveta para frutas e legumes, etc. do seu frigorífico devem ser firmemente presos com fita adesiva, devido aos solavancos antes de voltar a empacotá-lo.
3. A embalagem deve ser amarrada com fitas grossas e cordas fortes e devem ser seguidas as normas de transporte indicadas na mesma.

Não se esqueça...

Todo material reciclado é uma fonte indispensável para a natureza e para os nossos recursos nacionais.

Se quiser contribuir para a reciclagem dos materiais da embalagem, pode obter mais informações nos organismos relativos ao ambiente ou junto das autoridades locais.

Antes de funcionar o seu frigorífico

Antes de iniciar a utilização do seu frigorífico, verifique o seguinte:

1. O interior do frigorífico está seco e o ar pode circular livremente na sua parte traseira?

Ligação eléctrica

Ligue o seu produto a uma tomada de terra, que esteja protegida por um fusível com a capacidade apropriada. Importante:

- A ligação deve estar em concordância com os regulamentos nacionais.
- A ficha do cabo de alimentação deve estar facilmente acessível após a instalação.

- A voltagem e o fusível de protecção permitido estão indicados na secção “Especificações”.
- A voltagem especificada deve ser igual à sua voltagem eléctrica.
- Não devem ser usados cabos de extensão e fichas multiusos para a ligação.

⚠ Um cabo de alimentação danificado deve ser substituído por um electricista qualificado.

⚠ O produto não deve ser utilizado antes de ser reparado! Há risco de choque eléctrico!

Eliminação da embalagem

Os materiais de embalagem podem ser perigosos para as crianças. Guarde os materiais da embalagem fora do alcance das crianças ou elimine-os, classificando-os de acordo com as instruções sobre o lixo. Não os elimine juntamente com o lixo doméstico normal.

A embalagem do seu frigorífico produzida com materiais recicláveis.

Eliminação do seu frigorífico velho

Elimine a sua máquina velha sem causar qualquer perigo ao meio ambiente.

- Pode consultar o seu revendedor autorizado ou o centro de recolha do lixo do seu município a respeito da eliminação do seu frigorífico.

Antes de se desfazer do seu frigorífico, corte a ficha eléctrica e, se houver trincos nas portas, deixe-os inutilizados, a fim de proteger as crianças contra qualquer perigo.

Colocação e instalação

⚠ Se a porta de entrada do compartimento onde o frigorífico será instalado não for o suficientemente larga para que ele passe, chame o serviço de

assistência autorizado para que possam remover as portas do seu frigorífico e passá-lo de forma inclinada através da porta.

1. Instale o seu frigorífico num local que permita fácil acesso.
2. Mantenha o seu frigorífico longe das fontes de calor, lugares húmidos e luz solar directa.
3. Deve existir uma circulação de ar adequada à volta do seu frigorífico, para que obtenha um funcionamento eficiente. Se o frigorífico for colocado numa reentrância da parede, deve haver uma distância mínima de 5cm do tecto e, pelo menos, 5 cm da parede. Se o piso for coberto por alcatifa, o seu produto deve ter uma elevação de 2,5 cm do chão.
4. Coloque o seu frigorífico num pavimento uniforme para evitar solavancos.
5. Não mantenha o seu frigorífico em temperaturas ambientes inferiores a 10°C.

Substituição da lâmpada interior

No caso da lâmpada deixar de funcionar, proceda do seguinte modo.

1- Desligue o equipamento retirando a ficha da tomada de parede.

Para facilitar o acesso, pode remover as prateleiras.

2- Utilize uma chave de fendas com o bico achatado para retirar a tampa do difusor da lâmpada.

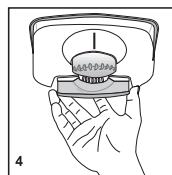
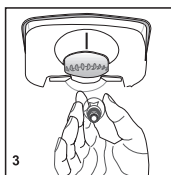
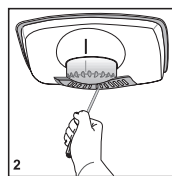
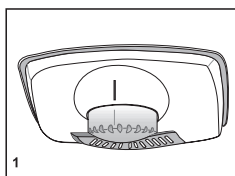
3- Primeiro, verifique se a lâmpada não se soltou, assegurando-se de que ela se encontra firmemente fixa no respectivo suporte. Coloque novamente a ficha e ligue o equipamento.

Se a lâmpada funcionar, coloque de novo a tampa inserindo a patilha posterior e empurrando até localizar as duas patilhas frontais.

4- No caso da luz falhar, desligue o equipamento, retirando a ficha da tomada de parede. Substitua a lâmpada por uma nova de 15 watts (máx) de cabeça de roscar (SES).

5- Desfaça-se, imediatamente, da lâmpada defeituosa.

A lâmpada de substituição pode ser facilmente encontrada numa boa loja da especialidade.

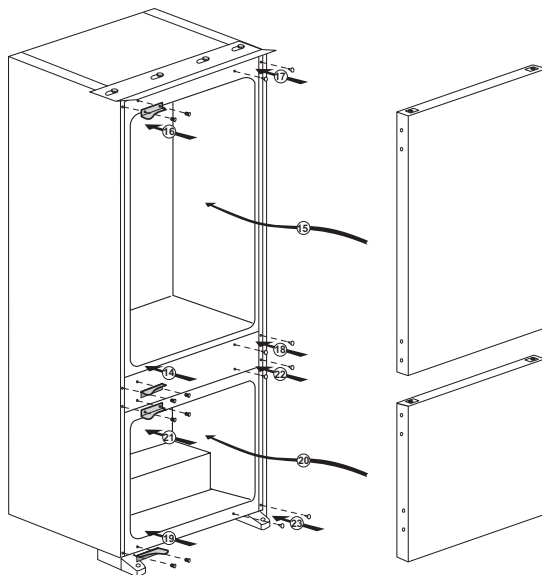
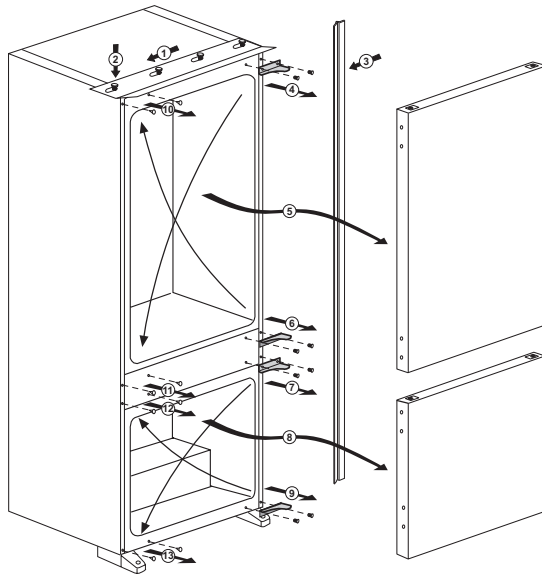


i Este equipamento foi concebido para funcionar nas temperaturas especificadas na tabela abaixo e está equipado com o Advanced Electronic Temperature Control System [AETCS] (Sistema de controlo da temperatura electrónico avançado), que assegura que a definição recomendada [4 – quatro no botão] não descongelará os alimentos congelados no congelador, mesmo que a temperatura ambiente desça para menos de -15 °C. Ao ser instalado pela primeira vez, o produto NÃO DEVERÁ ser colocado em locais com baixa temperatura porque o congelador não baixará para a sua temperatura padrão de funcionamento. Quando tiver alcançado um estado de funcionamento estável, pode ser reposicionado. Assim, poderá depois instalar o seu equipamento numa garagem ou compartimento sem aquecimento, sem ter que se preocupar se os alimentos congelados que estão no congelador se estão a deteriorar. Contudo, nos ambientes de baixas temperaturas mencionados acima, os conteúdos do frigorífico podem congelar, por isso, verifique e consuma os alimentos do frigorífico atempadamente. Quando a temperatura ambiente voltar ao normal, poderá alterar a definição do botão conforme as suas necessidades.

i Se a temperatura ambiente estiver abaixo dos 0°C, os alimentos no compartimento do frigorífico congelarão. Por isso, recomendamos que não use o compartimento do frigorífico em condições de temperatura ambiente muito baixa. Pode continuar a usar o compartimento do congelador como de costume.

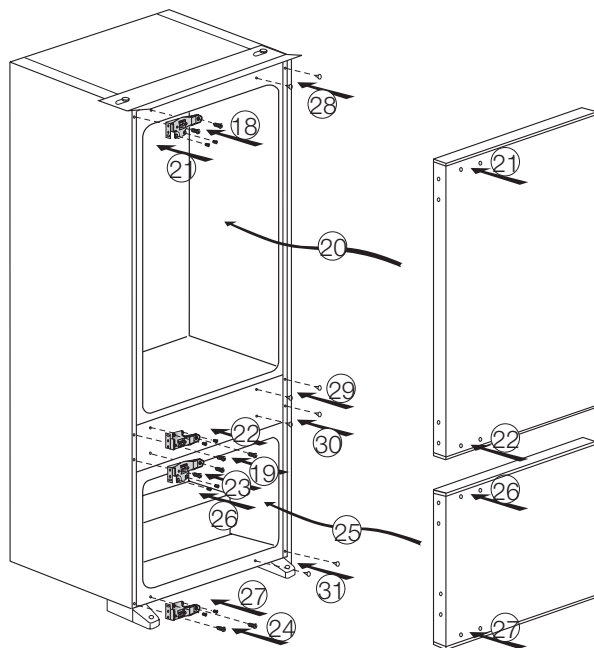
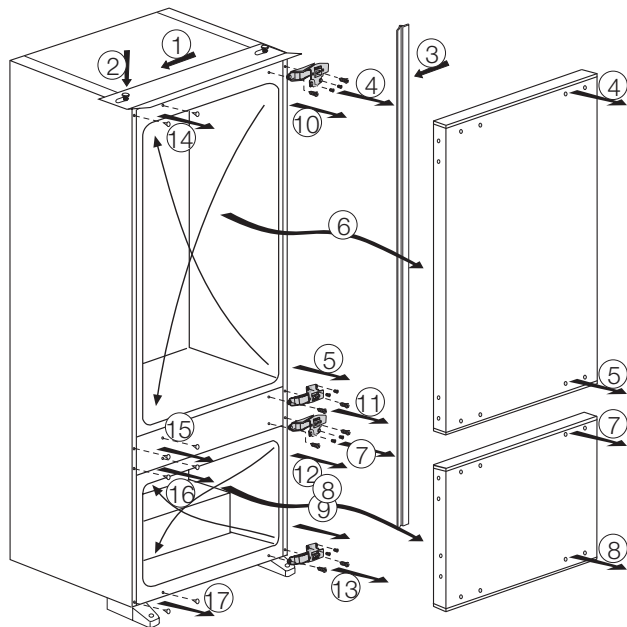
Inverter as portas

Proceda em ordem numérica



Inverter as portas

Proceda em ordem numérica



4 Preparação

i O seu frigorífico deverá ser instalado a uma distância mínima de 30 cm de quaisquer fontes de calor, tais como placas, fornos, aquecimento central e fogões e de 5 cm de fornos eléctricos e não deverá ficar exposto directamente à luz solar.

i A temperatura ambiente do compartimento onde está instalado o seu frigorífico não deve ser inferior a 10 °C. Utilizar o seu frigorífico em condições de temperatura mais baixas não é recomendado em atenção à sua eficiência.

i Certifique-se de que o interior do seu frigorífico esteja completamente limpo.

i Se forem instalados dois frigoríficos lado a lado, deverá existir uma distância mínima de 2 cm entre eles.

i Quando utilizar o seu frigorífico pela primeira vez, por favor, observe as seguintes instruções durante as seis horas iniciais.

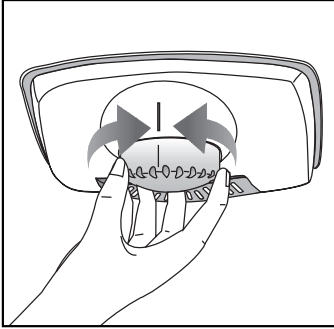
- A porta não deverá ser aberta frequentemente.

- Deve começar a funcionar vazio, sem alimentos no interior.

- Não retire a ficha da tomada do seu frigorífico. Se houver uma falha de energia inesperada, por favor, consulte os avisos na secção “Soluções recomendadas para os problemas”.

i A embalagem original e os materiais de esponja deverão ser guardados para transportes ou deslocações futuras.

5 Utilizar o seu frigorífico



Botão de ajuste do termostato

A temperatura interior do seu frigorífico altera-se pelas seguintes razões:

- Temperaturas sazonais,
- Abertura frequente da porta e porta aberta durante longos períodos,
- Alimentos guardados no frigorífico sem que estejam arrefecidos até a temperatura ambiente,
- A localização do frigorífico no cómodo (por ex: exposição à luz solar).
- Deve ajustar a variação da temperatura interior devido a esses motivos, usando o termostato. Os números em volta do botão do termostato indicam os graus de arrefecimento.
- Se a temperatura ambiente estiver mais alta do que 32°C, rode o botão do termostato até a posição máxima.
- Se a temperatura ambiente for inferior a 25°C, rode o botão do termostato para a posição mínima.

Descongelação

Compartimento do refrigerador

O compartimento do frigorífico executa a descongelação totalmente automática. Podem ocorrer, no interior da parede posterior do compartimento do frigorífico, gotas de água e uma congelação até 7-8 mm enquanto o seu frigorífico arrefece.

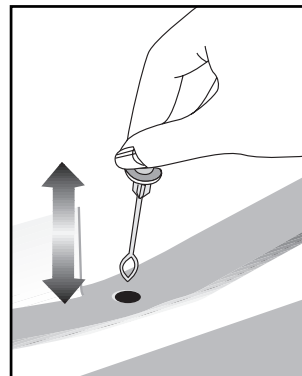
Tal formação é normal como resultado do sistema de arrefecimento. A formação de gelo é descongelada ao executar a descongelação automática a intervalos determinados, graças ao sistema de descongelação automática da parede posterior. Não é necessário ao utilizador raspar o gelo ou retirar as gotas de água.

A água resultante da descongelação passa do sulco de recolha da água e corre para dentro do evaporador através do tubo de drenagem e evapora-se aqui por si mesma.

Verifique regularmente para ver se o tubo de descarga está entupido ou não e limpe-o com a vareta no orifício, quando necessário.

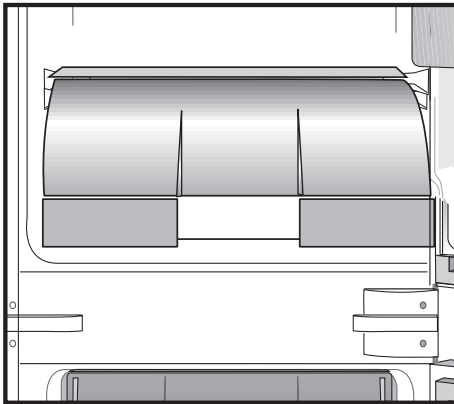
O compartimento de Deep freezer (Congelação profunda) não realiza a descongelação automática para evitar a deterioração dos alimentos congelados.

O compartimento do congelador descongela-se automaticamente.



Compartimento de temperatura zero

Este compartimento foi concebido para guardar alimentos congelados que devem ser descongelados lentamente (carne, peixe, frango, etc.) conforme necessário. O compartimento de temperatura zero é o lugar mais frio do seu frigorífico no qual produtos lácteos (queijo, manteiga), carne ou frango podem ser guardados em condições ideais de temperatura. Os legumes e/ou frutos não devem ser colocados neste compartimento.



6 Manutenção e limpeza

- ⚠ Nunca use gasolina, benzeno ou substâncias semelhantes para a limpeza.
- ⚠ Recomendamos que desligue a ficha do equipamento da tomada antes da limpeza.
- ℹ Nunca utilize na limpeza objectos abrasivos ou pontiagudos, sabões, produtos de limpeza doméstica, detergentes ou ceras abrillantadoras.
- ℹ Utilize água morna para limpar o exterior do seu frigorífico e seque-o com um pano.
- ℹ Utilize um pano humedecido numa solução composta por uma colher de chá de bicarbonato de soda dissolvido em cerca de meio litro de água para limpar o interior e depois seque-o.
- ⚠ Certifique-se de que não entra água no compartimento da lâmpada e nos outros itens eléctricos.
- ⚠ Se o seu frigorífico não for utilizado durante um longo período de tempo, remova o cabo de alimentação, retire todos os alimentos, limpe-o e deixe a porta entreaberta.
- ℹ Verifique regularmente as borrachas herméticas da porta, para assegurar que elas estão limpas e sem restos de alimentos.
- ℹ Para remover os suportes da porta, retire todo o seu conteúdo e, em seguida, apenas puxe cuidadosamente o seu suporte para cima a partir da base.

Protecção das superfícies plásticas

- ℹ Não coloque óleos líquidos ou comidas cozinhadas no óleo no seu frigorífico, em recipientes abertos, já que podem danificar as superfícies plásticas do seu frigorífico. No caso de derrame ou salpico de óleo nas superfícies plásticas, limpe e enxagúe a parte correspondente da superfície com água morna.

7 Soluções recomendadas para os problemas

Por favor, reveja esta lista antes de telefonar para a assistência. Com isso, pode poupar tempo e dinheiro. Esta lista abrange as reclamações frequentes resultantes de defeitos de fabricação ou utilização do material. Algumas das funções descritas aqui podem não existir no seu produto.

O frigorífico não funciona
<ul style="list-style-type: none">• O frigorífico tem a ficha eléctrica ligada correctamente à tomada? Introduza a ficha na tomada de parede.• O fusível da tomada na qual o frigorífico está ligado ou o fusível principal não está queimado? Verifique o fusível.
Condensação na parede lateral do compartimento do frigorífico. (MULTI ZONA, CONTROLO DE ARREFECIMENTO e FLEXI ZONA)
<ul style="list-style-type: none">• Condições ambientais muito frias. Abertura e fecho frequentes da porta. Condições ambientais de alta humidade. Armazenamento de alimentos que contém líquidos em recipientes abertos. A porta foi deixada entreaberta.• Comute o termóstato para um grau mais frio.• Diminua o número de vezes de abertura da porta ou utilize menos frequentemente.• Cubra os alimentos guardados em recipientes abertos com um material apropriado.• Limpe a condensação usando um pano seco e verifique, se persistir.
O compressor não está a funcionar.
<ul style="list-style-type: none">• A protecção térmica do compressor deixará de funcionar durante falhas eléctricas repentinas ou na extracção/colocação da ficha eléctrica, já que a pressão refrigerante no sistema de arrefecimento do frigorífico ainda não se encontra estabilizada.• O seu frigorífico voltará a funcionar aproximadamente 6 minutos depois. Por favor, chame a assistência se o seu frigorífico não começar a operar no fim deste período.• O refrigerador está no ciclo de descongelação. Isto é normal num frigorífico de descongelação totalmente automático. O ciclo de descongelação ocorre periodicamente.• O seu frigorífico não está ligado à tomada. Certifique-se de que a ficha está introduzida firmemente na tomada de parede.• A regulação da temperatura está feita correctamente? Há uma falha eléctrica. Telefone para a empresa de electricidade.
O refrigerador está a funcionar frequentemente ou por um longo tempo.

- O seu novo frigorífico pode ser mais largo do que o anterior. Esta situação é perfeitamente normal. Os frigoríficos grandes operam por um período maior de tempo.
- A temperatura ambiente pode estar elevada. Isto é bastante normal.
- O frigorífico foi ligado à tomada há pouco tempo ou carregado com alimentos. O arrefecimento total do frigorífico pode demorar mais do que duas horas.
- Podem ter sido colocadas recentemente grandes quantidades de alimentos quentes no frigorífico. Os alimentos quentes obrigam a um funcionamento mais vigoroso do frigorífico até que alcance a temperatura segura de armazenamento.
- As portas podem estar a ser abertas frequentemente ou foram deixadas entreabertas por longo tempo. O ar quente que entrou no frigorífico faz com que o mesmo tenha que funcionar por períodos mais longos. Abra as portas com menos frequência.
- A porta do compartimento do refrigerador ou do congelador pode ter sido deixada entreaberta. Verifique se as portas estão completamente fechadas.
- O frigorífico está ajustado para uma temperatura muito baixa. Ajuste a temperatura do frigorífico para um grau mais quente e aguarde até que a temperatura seja atingida.
- O vedante da porta do refrigerador ou do congelador pode estar sujo, gasto, roto ou não ajustado correctamente. Limpe ou substitua o vedante. O vedante danificado/roto faz com que o frigorífico funcione por um período de tempo maior para que mantenha a temperatura actual.

A temperatura do congelador está muito baixa, enquanto que a temperatura do refrigerador é suficiente.

- A temperatura do congelador está ajustada para uma temperatura muito baixa. Ajuste a temperatura do congelador para um grau mais quente e verifique.

A temperatura do refrigerador está muito baixa, enquanto que a temperatura do congelador é suficiente.

- A temperatura do refrigerador está ajustada para uma temperatura muito baixa. Ajuste a temperatura do refrigerador para um grau mais quente e verifique.

Os alimentos guardados nas gavetas do compartimento do refrigerador estão congelados.

- A temperatura do refrigerador está ajustada para uma temperatura muito baixa. Ajuste a temperatura do refrigerador para um grau mais quente e verifique.

A temperatura no refrigerador ou no congelador é muito alta.

- A temperatura do refrigerador está ajustada para um grau muito alto. O ajuste do refrigerador tem efeito na temperatura do congelador. Altere a temperatura do refrigerador ou do congelador até que a temperatura do refrigerador ou do congelador atinja um nível suficiente.
- A porta pode ter sido deixada entreaberta. Feche totalmente a porta.
- Podem ter sido colocadas recentemente grandes quantidades de alimentos quentes no frigorífico. Aguarde até que o refrigerador ou o congelador atinja a temperatura desejada.
- O frigorífico pode ter sido ligado à tomada há pouco tempo. O arrefecimento total do frigorífico demora um certo tempo devido ao seu tamanho.

Surge do frigorífico um ruído semelhante ao som dos segundos ouvido a partir de um relógio analógico.
<ul style="list-style-type: none"> Este ruído é oriundo da válvula selenóide do frigorífico. A válvula selenóide funciona com a finalidade de assegurar a passagem do spray de arrefecimento através do compartimento que pode ser ajustado para temperaturas de arrefecimento ou de congelação e executa funções de arrefecimento. Esta situação é normal e não é causa de problema.
O ruído de funcionamento aumenta quando o frigorífico está a funcionar.
<ul style="list-style-type: none"> As características do desempenho de funcionamento do frigorífico podem variar conforme as alterações na temperatura ambiente. Esta situação é normal e não é um problema.
Vibrações ou ruído.
<ul style="list-style-type: none"> O piso não está nivelado ou não é resistente. O frigorífico balança quando deslocado lentamente. Certifique-se de que o piso está nivelado, é resistente e capaz de suportar o frigorífico. O ruído pode ser causado pelos itens colocados sobre o frigorífico. Tais itens devem ser retirados de cima do frigorífico.
Há ruídos como líquidos a verter ou gotejar.
<ul style="list-style-type: none"> Os fluxos de gás e líquidos acontecem conforme os princípios de funcionamento do seu frigorífico. Esta situação é normal e não é um problema.
Há um ruído parecido com o vento a soprar.
<ul style="list-style-type: none"> Os activadores de ar (ventoinhas) são usados para permitir que o frigorífico arrefeça eficientemente. Esta situação é normal e não é um problema.
Condensação nas paredes internas do frigorífico.
<ul style="list-style-type: none"> O tempo quente e húmido aumenta a formação de gelo e de condensação. Esta situação é normal e não é um problema. As portas estão entreabertas. Certifique-se que as portas estejam completamente fechadas. As portas podem estar a ser abertas com muita frequência ou estão a ser deixadas abertas por muito tempo. Abra a porta com menos frequência.
Há ocorrência de humidade no exterior do frigorífico ou entre as portas.
<ul style="list-style-type: none"> O tempo pode estar húmido. Isto é bastante normal num tempo húmido. Quando a humidade for menor, a condensação irá desaparecer.
Maus odores dentro do frigorífico.
<ul style="list-style-type: none"> O interior do frigorífico deve ser limpo. Limpe o interior do frigorífico com uma esponja, água quente ou água com gás. Alguns recipientes ou materiais de embalagem podem exalar cheiros. Utilize um recipiente diferente ou um material de embalagem de marca diferente.
A(s) porta(s) não está(ão) fechada(s).

- Os pacotes de alimentos podem impedir o fecho da porta. Coloque de outra forma as embalagens que estão a obstruir a porta.
- O frigorífico pode não estar completamente na vertical no piso e poderá balançar quando ligeiramente movido. Ajuste os parafusos de elevação.
- O piso não é sólido ou não está nivelado. Certifique-se de que o piso está nivelado e capaz de suportar o frigorífico.

As gavetas para frutos e legumes estão bloqueadas.

- Os alimentos podem estar a tocar o tecto da gaveta. Arrume novamente os alimentos na gaveta.

Pirmiausia įdėmiai perskaitykite šį vadovą!

Gerbiamas pirkėjų,

Mes tikimės, kad mūsų gaminys, kuris buvo sukurtas moderniose gamylose ir kruopščiai patikrintas pagal griežtus kokybės kontrolės reikalavimus, veiksmingai ir ilgai jums tarnaus.

Todėl mes rekomenduojame jums prieš naudojimą atidžiai perskaityti visą šio gaminio vartotojo vadovą ir išsaugoti jį, kad galėtumėte pasinaudoti juo ateityje.




Šis vadovas

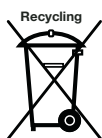
- Padės jums greitai ir saugiai naudoti šį buitinį prietaisą.
- Prieš sumontuodami ir pradėdami naudoti šį gaminį, perskaitykite šį vadovą.
- Vadovaukitės nurodymais, ypač nurodymais dėl saugos.
- Laikykite šį vadovą lengvai pasiekiamoje vietoje, nes juo dar gali tekti pasinaudoti.
- Taip pat perskaitykite ir kitus su šiuo gaminiu pateiktus dokumentus.

Atkreipkite dėmesį, kad šis vadovas gali galioti ir kitiems modeliams.

Ženkli ir jų aprašymas

Šioje naudojimo instrukcijoje panaudoti tokie ženklai:

-  Svarbi informacija arba naudingi patarimai dėl naudojimo.
-  Įspėjimas dėl sveikatai pavojingų arba žalos turtui galinčių padaryti sąlygų.
-  Įspėjimas dėl elektros įtampos.



Šis gaminys pažymėtas selektyvaus rūšiavimo simboliu, kuriuo žymimos elektros ir elektroninės įrangos atliekos (WEEE).

Tai reiškia, kad šį gaminį reikia išmesti vadovaujantis Europos direktyva 2002/96/EB, kad jis būtų perdirbtas arba išmontuotas ir tokiu būdu būtų sumažintas jo poveikis aplinkai. Daugiau informacijos gausite iš vietos arba regiono valdžios institucijų.

Elektronikos gaminiai, kuriems nėra taikomas selektyvaus rūšiavimo procesas, potencialiai kenksmingi gamtai ir žmogaus sveikatai, nes juose yra žalingų medžiagų.

TURINYS

1 Šaldytuvas 3

2 Svarbūs įspėjimai dėl saugos 4

Naudojimo paskirtis	4
Bendrieji saugos reikalavimai	4
Vaikų sauga	6
HCA įspėjimas	6
Ką reikia daryti, norint sutaupyti energijos.....	6

3 Įrengimas 7

Į ką reikia atsižvelgti vežant šį šaldytuvą	7
Prieš pradėdant naudoti šaldytuvą.....	7
Pakuotės išmetimas	7
Seno šaldytuvo išmetimas	7
Pastatymas ir instaliacija	7
lekšėjā apgaismojuma spuldzes nomaiņa	8

4 Paruošimas 12

5 Šaldytuvo naudojimas 13

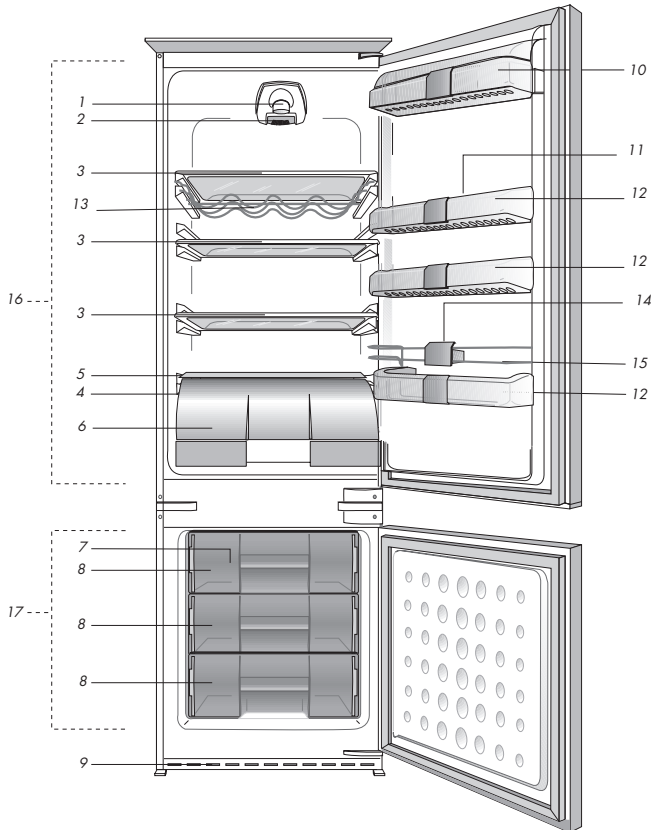
Nulles grādu temperatūras nodalījums	14
--	----

6 Techninė priežiūra ir valymas 15

Plastikinių paviršių apsauga	15
------------------------------------	----

7 Rekomenduojami problemų sprendimo būdai16

1 Šaldytuvas



- | | |
|---|-------------------------------|
| 1. Vidaus apšvietimas | 9. Oro grotelės |
| 2. Temperatūros nustatymo rankenėlė | 10. Pieno produktų skyrius |
| 3. Reguliuojamos lentynos | 11. Kiaušinių dėklas |
| 4. Atšildyto vandens surinkimo kanalas –
drenažo vamzdelis | 12. Pritaikomos durų lentynos |
| 5. Stalčiaus daržovėms dangtis | 13. Butelių lentyna |
| 6. 0 °C temperatūros skyrius | 14. Butelio laikiklis |
| 7. Ledo atsargos | 15. Butelių skyriaus grotelės |
| 8. Šaldiklio skyrius | 16. Šaldytuvo skyrius |
| | 17. Šaldiklio skyrius |

i Šiame eksploataavimo vadove pateikti paveikslėliai yra orientacinio pobūdžio; gali būti, kad jie tiksliai nevaizduoja jūsų turimo gaminio. Jei jūsų turimame gaminyje nėra aprašomų dalių, tai reiškia, jog tai taikoma kitiems modeliams.

Prašome atidžiai perskaityti toliau pateiktą informaciją. Nesilaikant šių nurodymų, galima susižeisti arba padaryti žalos turtui. Tuomet nebegalios jokia garantija ir gamintojo įsipareigojimai. Jūsų įsigytas prietaisas numatytas naudoti 10 metų. Šiuo laikotarpiu gamintojas įsipareigoja tiekti visas šiam prietaisui reikalingas atsargines dalis, kad prietaisas veiktų taip, kaip aprašyta šioje instrukcijoje.

Naudojimo paskirtis

- Šis prietaisas skirtas tik naudojimui namų ūkyje; jį galima naudoti, pavyzdžiui,
 - darbuotojų valgomuosiuose, pavyzdžiui, parduotuvėse, biuruose ir kitoje darbo aplinkoje;
 - ūkininkų gyvenamuosiuose namuose ir klientams viešbučiuose, moteliuose ir kitoje gyvenamojo aplinkoje;
 - viešbučiuose, kuriose siūloma naktynė su pusryčiais;
 - aprūpinimo maistu ir gėrimais ir panašiose ne visuomeninės prekybos vietose.
- Nenaudokite jo lauke. Jis nėra pritaikytas naudoti lauke net ir tuo atveju, jei ši vieta turi stogą.

Bendrieji saugos reikalavimai

- Kai šį gaminį norėsite išmesti arba atiduoti į metalo laužą, rekomenduojama pasikonsultuoti su įgaliotomis tarnybomis ir institucijomis, kad sužinotumėte reikiamą informaciją.
- Jei kyla klausimų apie šaldytuvą arba atsiranda problemų, pasikonsultuokite su įgaliotais aptarnavimo specialistais. Šaldytuvo neardykite ir niekam neleiskite to daryti; tai galima daryti tik apie tai pranešus įgaliotiems aptarnavimo specialistams.

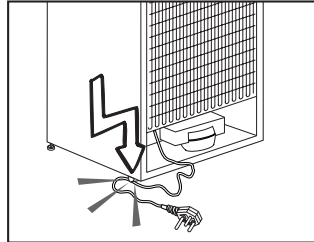
- Ledų ir ledo kubelių nevalgykite vos juos išėmę į šaldiklio skyriaus! (Galite nušalti burną.)
- Į šaldiklio skyrių nedėkite butelių ir skardinių su gėrimais – jie gali sprogti.
- Užšaldytų maisto produktų nelieskite rankomis – jie gali prilipti prie rankų.
- Šaldytuvui valyti ir šerkšniui šalinti negalima naudoti garų ir garinių valomųjų medžiagų. Garai gali pasiekti elektrines dalis ir sukelti trumpą jungimą arba elektros smūgi.
- Šaldytuvo dalių, pavyzdžiui, nuo spyrio apsaugančios plokštės arba durelių, nenaudokite kaip atramos ar laiptelio.
- Šaldytuvo viduje nenaudokite elektros prietaisų.
- Žiūrėkite, kad gręžimo ar pjovimo įrankiais nepažeistumėte dalių, kuriose cirkuliuoja aušinamasis skystis. Iš pradurtų garintuvo dujų kanalų, vamzdžių ilgintuvų arba paviršiaus dangų ištryškęs aušinamasis skystis gali suerzinti odą ir pažeisti akis.
- Jokiomis medžiagomis neuždenkite ir neužkimškite šaldytuvo ventiliacinių angų.
- Elektrinės įrangos remontą gali atlikti tik kvalifikuoti specialistai. Jei remontą vykdys nekompetentingi asmenys, naudotojui gali kilti pavojus.
- Įvykus trikdžiai, taip pat techninės priežiūros arba remonto metu šaldytuvui atjunkite elektros maitinimą – arba išsukite atitinkamą saugiklį, arba ištraukite prietaiso laido kištuką.
- Netraukite laikydami už laido – traukite laikydami už kištuko.
- Stiprius alkoholinius gėrimus stipriai užkimškite ir laikykite vertikaliaje padėtyje.
- Šiame prietaise nelaikykite sprogstamųjų medžiagų, pavyzdžiui,

aerozolių su degiomis varomosiomis dujomis.

- * Norėdami pagreitinti atitirpymo procesą, nenaudokite kitokių, nei gamintojo rekomenduojamų, mechaninių arba kitų priemonių.
- Vaikams ir asmenims, nesugebantiems saugiai naudotis prietaisu dėl savo psichikos, jutiminės arba protinės negalios arba patirties bei žinių trūkumo, negalima naudotis šiuo prietaisu be už šių asmenų saugumą atsakingų asmenų priežiūros ir nurodymų.
- Nenaudokite sugedusio šaldytuvo. Jei kyla abejonų, pasikonsultuokite su aptarnavimo specialistais.
- Šaldytuvo elektros sauga garantuojama tik tuo atveju, jei jūsų name įrengta žemėjimo sistema atitinka standartus.
- Gaminį statyti vietoje, neapsaugotoje nuo lietaus, sniego, saulės ir vėjo, pavojinga elektros saugos požiūriu.
- Jeigu būtų pažeistas maitinimo laidas ir pan., susisiekite su įgaliotąja tarnyba, kad jums nekiltų joks pavojus.
- Įrengimo metu draudžiama šaldytuvo maitinimo laido kištuką įkišti į sieninį lizdą – galite žūti arba patirti rimtą traumą.
- Šis šaldytuvus skirtas tik maisto produktams laikyti. Jo negalima naudoti jokiems kitiems tikslams.
- Etiketė, kurioje nurodomi techniniai gaminio duomenys, pritvirtinta vidinėje kairėje šaldytuvo pusėje.
- Nejunkite šaldytuvo prie elektroninių energijos taupymo sistemų, nes gaminys gali sugesti.
- Jeigu šaldytuve įrengta mėlyna kontrolinė lemputė, nežūrėkite į mėlyną šviesą pro optinius prietaisus.
- Jeigu atjungiate rankiniu būdu valdomo šaldytuvo maitinimą, prieš vėl jį įjungdami, palaukite bent 5 minutes.
- Pasikeitus šaldytuvo savininkui,

atiduokite šį gaminio vadovą naujam savininkui.

- Perstatydami šaldytuvą, būkite atsargūs, kad nepažeistumėte maitinimo laido. Siekiant išvengti gaisro, maitinimo laidas turi būti nesusukiotas. Ant maitinimo laido negalima statyti sunkių daiktų. Jungiant šaldytuvo elektros kištuką į maitinimo tinklą, rankos turi būti sausas.



- Nejunkite šaldytuvo, jeigu kištukinis lizdas yra atsilaisvinęs.
- Saugos sumetimais nepurškite vandens ant išorinių ar vidinių šaldytuvo dalių.
- Nepurškite šalia šaldytuvo degių medžiagų, pavyzdžiui, propano dujų ir pan., nes kyla gaisro ir sprogdimo pavojus.
- Nestatykite ant šaldytuvo vandeniu pripildytų daiktų, nes jie gali sukelti elektros smūgį arba gaisrą.
- Neprikraukite į šaldytuvą per daug maisto produktų. Atidarius dureles, produktai gali iškristi ir sužeisti jus arba sugadinti šaldytuvą. Nėdėkite ant šaldytuvo daiktų, nes atidarius arba uždarius šaldytuvo dureles, jie gali nukristi.
- Šaldytuve negalima laikyti medžiagų, kurioms saugoti reikia tam tikrų temperatūros sąlygų, pavyzdžiui, vakcinų, temperatūrai jautrių vaistų, mokslinių tyrimų medžiagų ir pan.
- Jeigu šaldytuvus bus ilgai nenaudojamas, jį reikia atjungti nuo

maitinimo tinklo. Dėl pažeistos elektros laido izoliacijos gali kilti gaisras.

- Elektros kištuką reikia reguliariai nuvalyti, kitaip jis gali sukelti gaisrą.
- Jeigu reguliuojamos kojelės netvirtai remsis į grindis, šaldytuvas gali judėti. Naudodami reguliuojamas kojeles, galite užtikrinti, kad šaldytuvas būtų tvirtai pastatytas ant grindų.
- Jeigu šaldytumas turi durelių rankeną, perstatydami šaldytuvą netraukite jo už durelių rankenos, nes ji gali nutrūkti.
- Jeigu šis prietaisas bus naudojamas šalia kito šaldytuvo arba šaldiklio, tarp prietaisų privaloma palikti bent 8 cm tarpą. Kitaip ant šoninių, viena į kitą atsuktų prietaisų sienelių gali kauptis kondensatas.
- Slėgis vandentiekio vamzdyje turi būti ne mažesnis negu 1 baras. Slėgis vandentiekio vamzdyje neturi viršyti 8 barų.
- Naudokite tik geriamąjį vandenį.

Vaikų sauga

- Jeigu durėlės rakinamos spyna, laikykite raktą vaikams nepasiekiamoje vietoje.
- Prižiūrėkite vaikus, kad jie nežaistų su šiuo buitiniu prietaisu.

HCA įspėjimas

Jeigu jūsų gaminyje įrengta aušinimo sistema, kurioje naudojama R600a:

Šios dujos lengvai užsiliepsnoja. Todėl būkite atsargūs, kad eksploataavimo ir transportavimo metu nepažeistumėte aušinimo sistemos ir vamzdžių.

Pažeidimo atveju, saugokite gaminį nuo galimų liepsnos šaltinių, nuo kurių gaminys galėtų užsidegti, ir vėdinkite patalpą, kurioje stovi šis prietaisas.

Nepaisykite šio įspėjimo, jeigu jūsų gaminyje įrengta aušinimo sistema, kurioje naudojama R134a.

Jūsų gaminyje naudojamų dujų rūšį sužinosite iš kategorijos plokštelės, kuri yra kairėje vidinėje gaminio pusėje. Niekomet nedeginkite šio buitinio prietaiso.

Ką reikia daryti, norint sutaupyti energijos

- Nelaikykite šaldytuvo durelių atidarytų ilgą laiką.
- Į šaldytuvą nedėkite karšto maisto arba gėrimų.
- Į šaldytuvą nedėkite pernelyg daug maisto produktų, kad nebūtų kliudoma viduje cirkuliuoti orui.
- Šaldytuvo nestatykite vietoje, kur šviečia tiesioginiai saulės spinduliai arba arti šilumą skleidžiančių prietaisų, pavyzdžiui, orkaitių, indaplovių arba radiatorių.
- Maisto produktus laikykite uždaruose induose.
- Išėmus šaldiklio kameros lentyną arba ištraukus stalčių, į šaldytuvo šaldiklio skyrių galima sudėti maksimalų produktų kiekį. Paskelbtasis šaldytuvo energijos sąnaudų dydis nustatytas išėmus šaldiklio kameros lentyną arba ištraukus stalčių ir sudėjus maksimalų leistiną produktų kiekį. Ant lentynos arba stalčiuje galima saugiai laikyti užšaldyti skirtus produktus, atsižvelgiant į jų formą ir dydį.

3 Įrengimas

⚠ Prašom atkreipti dėmesį, kad gamintojas neprisiima atsakomybės, jei nebus vadovaujamas šiame naudojimo instrukcijoje pateikta informacija.

Į ką reikia atsižvelgti vežant šį šaldytuvą

1. Prieš šaldytuvą transportuojant, jį reikia ištuštinti ir išvalyti.
2. Prieš šaldytuvą supakuojant, jame esančias lentynas, papildomas dalis, daržovių dėtuves ir kt. būtina sutvirtinti lipnia juosta, kad šios dalys nesikratytų.
3. Pakuotės medžiagas būtina sutvirtinti storomis juostomis ir tvirtomis virvėmis; būtina paisyti ant pakuotės pateiktų transportavimo instrukcijų.

Atminkite...

Visų medžiagų perdirbimas turi didelės įtakos tausojant gamtos ir mūsų šalies išteklius.

Jei pakavimo medžiagas norite atiduoti perdirbti, kreipkitės į aplinkosaugos institucijas arba vietos valdžios įstaigas, kur jums bus suteikta daugiau informacijos.

Prieš pradėdami naudoti šaldytuvą

Prieš pradėdami naudoti buitinį prietaisą, patikrinkite, ar:

1. Šaldytuvo vidus yra sausas, o galinėje dalyje oras laisvai cirkuliuoja?

Elektros prijungimas

Prijunkite gaminį prie įžeminto lizdo su tinkamos kategorijos saugikliu.

Svarbu

- Elektros prijungimą būtina atlikti atsižvelgiant į savo šalies reglamentus.
- Atlikus elektros instaliaciją, maitinimo laido kištukas turi būti lengvai pasiekiamas.

- Nurodytas įtampos stiprumas turi būti toks pat, kaip ir maitinimo tinklo įtampos stiprumas.
- Prijungimui negalima naudoti ilginimo laidų ir daugiaskylių kištukų.

⚠ Pažeistą maitinimo laidą privalo pakeisti kvalifikuotas elektrikas.

⚠ Negalima naudoti buitinio prietaiso, kol nebus pataisytas jo laidas! Kyla elektros smūgio pavojus!

Pakuotės išmetimas

Pakavimo medžiagos gali kelti pavojų vaikams. Laikykite pakavimo medžiagas vaikams nepasiekiamoje vietoje arba išmeskite jas, išrūšiuodami pagal atliekų rūšiavimo nurodymus. Neišmeskite pakavimo medžiagų kartu su kitomis buitinėmis atliekomis.

Šaldytuvo pakavimo medžiagos yra pagamintos iš pakartotinai panaudojamų medžiagų.

Seno šaldytuvo išmetimas

Seną prietaisą išmeskite taip, kad nebūtų daroma žala aplinkai.

- Kaip išmesti šį šaldytuvą, galite sužinoti iš savo įgaliotojo pardavimo atstovo arba savo savivaldybės atliekų surinkimo punkte.

Prieš išmesdami šaldytuvą, nupjaukite elektros kištuką ir, jei durys turi kokių nors užraktų, sugadinkite juos, kad nekiltų pavojų vaikams.

Pastatymas ir instaliacija

⚠ Jei patalpos, kurioje bus įrengiamas šaldytuvai, įėjimas nėra pakankamai platus, kad pro jį būtų galima įnešti šaldytuvą, iškvieskite įgaliotus aptarnavimo darbuotojus, kad jie nuimtum šaldytuvo dureles ir jį pro įėjimą įneštų šonu.

1. Šaldytuvą įrenkite tokioje vietoje, kur jį būtų lengva eksploatuoti.
2. Šaldytuvą statykite atokiai nuo šilumos šaltinių, drėgnų vietų ir tiesioginių saulės spindulių.
3. Tam, kad šaldytuvas efektyviai veiktų, aplink jį turi būti tinkama oro ventilacija. Jei šaldytuvą reikia statyti sienos nišoje, nuo šaldytuvo iki lubų ir iki sienų turi būti mažiausiai 5 cm tarpas. Jei ant grindų patiestas kilimas, šį gaminį virš grindų būtina pakelti 2,5 cm.
4. Tam, kad nekiltų vibracija, šaldytuvą statykite ant lygaus grindų paviršiaus.
5. Šaldytuvo nestatykite patalpoje, kurioje aplinkos temperatūra žemesnė negu 10 °C.

lekšējā apgaismojuma spuldzes nomaiņa

Ja apgaismojums nedarbojas, rīkojieties sekojoši.

1- Izslēdziet strāvas līgšanas slēdzi un atvienojiet no tās spraudkontakta.

Lai atvieglotu piekļuvi, varat izņemt plauktus.

2- Izmantojiet plakangala skrūvgriezni, lai noņemtu gaismas izkliedētāja pārsegu.

3- Vispirms pārlicinieties, vai spuldze nav kļuvusi vaļīga, un pārbaudiet, vai tā cieši ieskrūvēta turētājā. Ievietojiet kontaktdakšu un ieslēdziet.

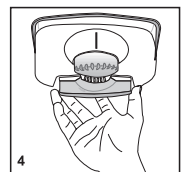
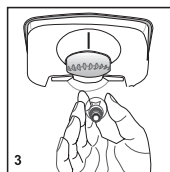
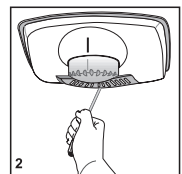
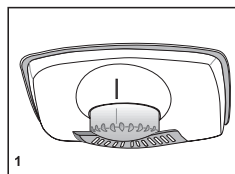
Ja spuldze darbojas, novietojiet atpakaļ gaismas izkliedētāja, ievietojot aizmugurējo tapu un spiežot uz augšu, lai ievietotu divās priekšējās spailēs.

4- Ja apgaismojums nedarbojas, izslēdziet strāvas līgšanas slēdzi un atvienojiet no tās spraudkontakta.

Nomainiet spuldzīti ar jaunu 15 vatu (maks.) ieskrūvējamu (SES) spuldzīti.

5- Nekavējoties uzmanīgi atbrīvojieties no izdegušās spuldzītes.

Nomaiņas gaismas spuldzi var iegādāties vietējā elektropreču vai saimniecības preču veikalā.

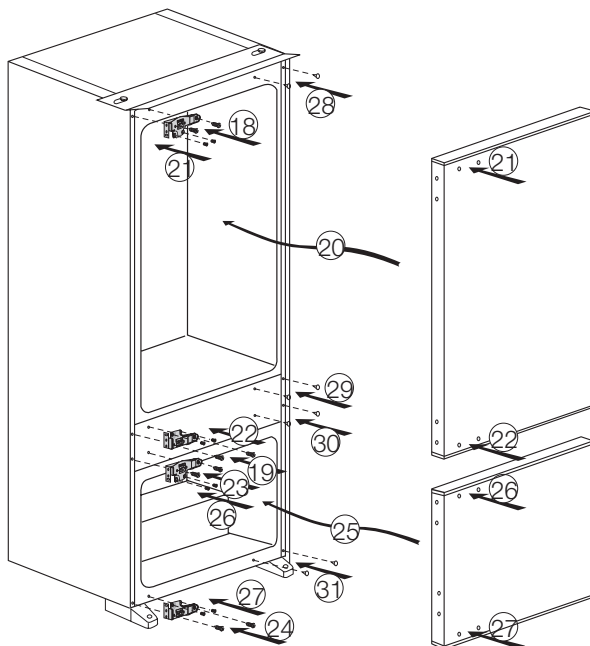
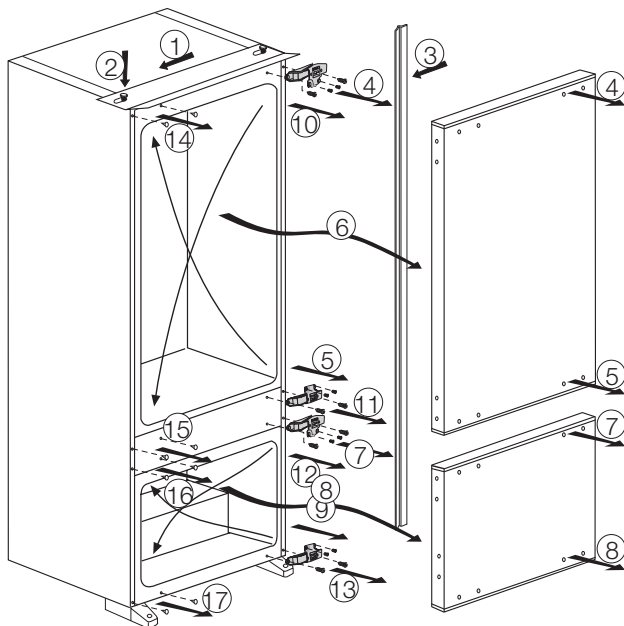


i Šis prietaisas skirtas naudoti esant temperatūrai, nurodytai toliau pateiktoje lentelėje; jame įrengta moderni elektroninė temperatūros valdymo sistema [AETCS], kuri užtikrina, kad esant rekomenduojamai nuostatai [4 – ant rankenėlės pažymėtas skaičius keturi], šaldyti produktai šaldiklyje neatšils netgi tuomet, jeigu aplinkos temperatūra bus ne žemesnė nei -15 °C. Pirmą kartą įrengus šį gaminį, jo NEGALIMA statyti ten, kur yra žema aplinkos temperatūra, nes šaldiklis negalės pasiekti standartinės darbo aplinkos temperatūros. Kai jis nekintamą darbo temperatūrą, jį gali perstatyti kitur. Tada galite statyti šį prietaisą garaže arba nešildomoje patalpoje, nesirūpindami, kad šaldiklyje esantis šaldytas maistas gali sugesti. Visgi esant pirmiau minėtai žemai aplinkos temperatūrai, šaldytuve esantis maistas gali įšalti, todėl nuolat patikrinkite ir suvartokite šaldytuve esantį maistą. Kai aplinkos temperatūra vėl taps įprasta, galite pakeisti temperatūrą, pasukdami rankenėlę ties pageidaujama nuostata.

i Jeigu aplinkos temperatūra yra žemesnė nei 0 °C, šaldytuvo skyriuje esantis maistas gali įšalti. Todėl mes rekomenduojame nenaudoti šaldytuvo skyriaus esant tokios žemos aplinkos temperatūros sąlygoms. Šaldiklį galite ir toliau naudoti, kaip įprastai.

Durų perstatymas

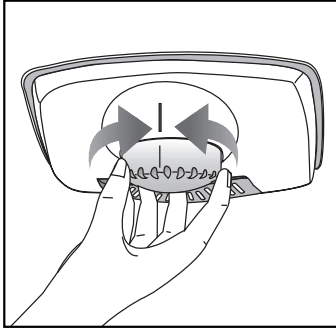
Veiksmus atlikite paeiliui pagal numerį



4 Paruošimas

- Šaldytuvą reikia įrengti mažiausiai 30 cm atstumu nuo šilumos šaltinių, pavyzdžiui, viryklės viršaus, orkaitių, centrinio šildymo radiatorių bei viryklių, ir mažiausiai 5 cm atstumu nuo elektrinių orkaitių; nestatykite jo tiesioginiuose saulės spinduliuose.
- Patalpos, kur įrengiamas šaldytuvas, aplinkos temperatūra turi būti ne žemesnė negu 10°C. Šaldytuvo nerekomenduojama eksploatuoti esant žemesnei temperatūrai, nes jo veikimo efektyvumas taps prastesnis.
- Rūpinkitės šaldytuvo vidaus švara.
- Jei du šaldytuvai įrengiami vienas šalia kito, tarp jų turi būti mažiausiai 2 cm atstumas.
- Šaldytuvą pradėję eksploatuoti pirmą kartą, pirmąsias šešias valandas prašom paisyti tokių instrukcijų:
 - Nedarinėkite dažnai durelių.
 - Šiuo periodu šaldytuve turi nebūti maisto produktų.
 - Neiškinkite šaldytuvo iš maitinimo tinklo. Jei nutrūktų elektros tiekimas, žr. skyriuje „Kokių veiksmų imtis prieš išskviečiant įgaliotus aptarnavimo specialistus“ pateiktus įspėjimus.
- Originalias pakuotės medžiagas ir pustpalstį derėtų saugoti ateičiai, jei šaldytuvą prireiktų transportuoti arba perkelti.

5 Šaldytuvo naudojimas



Termostato nustatymų mygtukas Šaldytuvo vidaus temperatūra pasikeičia dėl šių priežasčių:

- sezoninės temperatūros;
- ilgam laikui tarpui palikus atidarytas šaldytuvo duris;
- dedant maistą į šaldytuvą prieš tai neatvėsinus jo iki kambario temperatūros;
- dėl šaldytuvo vietos patalpoje (pvz., pastačius jį ten, kur jį veikia tiesioginiai saulės spinduliai).
- Galite pareguliuoti dėl tokių priežasčių pakitusią vidaus temperatūrą, naudodami termostatą. Aplink termostato rankenėlę esantys skaičiai parodo šaldymo laipsnius.
- Jeigu aplinkos temperatūra yra didesnė nei 32 °C, nustatykite termostato rankenėlę į maksimalią padėtį.
- Jeigu aplinkos temperatūra yra žemesnė nei 25 °C, nustatykite termostato rankenėlę į minimalią padėtį. Atšildykite

Šaldytuvo skyrius

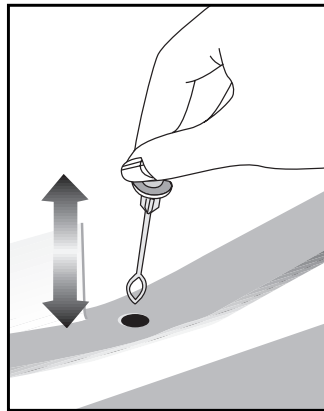
Šaldytuvo skyrius atšyla visiškai automatiškai. Šaldytuvui vėstant, ant vidinės galinės šaldytuvo skyriaus sienelės gali susidaryti vandens lašų ir 7-8 mm šerkšnas. Tai normalus aušinimo sistemos reiškinys. Susidaręs šerkšnas atšildomas automatinio atšildymo metu, kurį tam tikrais intervalais atlieka galinės sienelės atšildymo sistema. Vartotojui nereikia grandyti šerkšno arba šalinti vandens lašelių.

Vanduo, susidaręs atšildymo metu, teka vandens surinkimo grioveliu ir pro išleidimo vamzdelį suteka į garintuvą bei savaime išgaruoja.

Reguliariai tikrinkite, ar išleidimo vamzdelis nėra užkištas ir, kai reikia, išvalykite jį, naudodami pagaliuką.

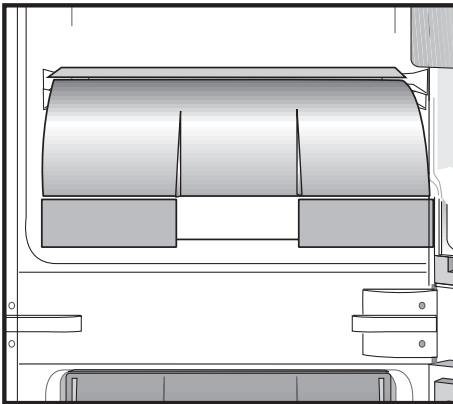
Šaldiklio skyrius automatiškai neatšildomas, kad nesugestų jame laikomi užšaldyti maisto produktai.

Šaldiklio kamera atšyla automatiškai.



Nulles grādu temperatūras nodaļjums

Šis nodaļjums paredzēts lēni atļaidināmas saldētas pārtikas (gaļas, zivju, vistas utt.) uzglabāšanai. Nulles grādu temperatūras nodaļjums ir visaukstākā vieta ledusskapī, kurā piena produkti (siers, sviests), gaļa, zivis vai mājputnu gaļa var tikt uzglabāta ideālos apstākļos. Šajā nodaļjumā nevajadzētu likt dārzeņus un/vai augļus.



6 Techninė priežiūra ir valymas

- ⚠ Valymui niekada nenaudokite benzino, benzolo arba panašių medžiagų.
- ⚠ Prieš valymą rekomenduojama išjungti buitinių prietaisų iš maitinimo tinklo.
- Valymui niekada nenaudokite aštrių abrazyvinių įrankių, muilo, buitinio valiklio, skalbimo priemonių ar vaško poliravimui.
- Buitinio prietaiso skyrių nuvalykite drungnu vandeniu, o po to sausai iššluostykite.
- Šaldytuvo vidui valyti naudokite drėgną nuspaustą skudurėlį, sudrėkintą tirpale, pagamintame ištirpinus vieną arbatinį šaukštelį sodos (bikarbonato) vienoje pintoje (0,57 litro) vandens; po to sausai iššluostykite.
- Žiūrėkite, kad į lemputės korpusą ir kitus elektros elementus nepatektų vandens.
- Jeigu ketinate ilgam nenaudoti buitinio prietaiso, išjunkite jį ir išimkite visą maistą, išvalykite jį ir palikite dureles pravertas.
- Reguliariai patikrinkite, ar durelių tarpikliai yra švarūs ir ant jų nėra maisto dalelių.
- Norėdami ištraukti durelių lentynas, išimkite visus daiktus ir po to paprasčiausiai patraukite durelių lentyną į viršų nuo pagrindo.

Plastikinių paviršių apsauga

- Į šaldytuvą nedėkite skysto aliejaus ar aliejuje virto maisto neuždarytuose induose, nes tokie produktai pažeis šaldytuvo plastikinius paviršius. Jei aliejus išsilieja ant plastikinių paviršių arba juos sutepa, užterštą vietą iš karto nuvalykite ir nuplaukite šiltu vandeniu.

7 Rekomenduojami problemų sprendimo būdai

Prieš kreipdamiesi į aptarnavimo tarnybą, prašom peržiūrėti šį sąrašą. Taip sutaupysite laiko ir pinigų. Šiame sąrašė pateikiamos dažniausiai pasitaikančios problemos, kurios nėra susijusios su pagaminimo arba naudojamų medžiagų broku. Kai kurių čia aprašytų funkcijų jūsų įsigytame gaminyje gali nebūti.

Šaldytuvas neveikia.
<ul style="list-style-type: none">• Ar tinkamai įkištas šaldytuvo laido kištukas? Įkiškite kištuką į sieninį lizdą.• Ar neperdegė lizdo, į kurį yra įjungtas šaldytuvas, saugiklis arba maitinimo tinklo saugiklis? Patikrinkite saugiklį.
Kondensacija ant šaldytuvo skyriaus šoninių sienų. (MULTI ZONE, COOL CONTROL ir FLEXI ZONE)
<ul style="list-style-type: none">• Labai žema aplinkos temperatūra. Dažnai atidaromos ir uždaromos durelės. Didelis aplinkos drėgnumas. Neuždarytuose induose laikomi skysti maisto produktai. Durelės buvo paliktos atidarytos.• Nustatykite žemesnę termostato temperatūrą.• Trumpiau laikykite dureles atviras arba jas rečiau darinėkite.• Tinkamomis medžiagomis uždenkite atviruose induose laikomus maisto produktus.• Susidariusius lašelius nuvalykite sausu skudurėliu ir patikrinkite, ar jie vėl susidaro.
Neveikia kompresorius.
<ul style="list-style-type: none">• Įvykus staigiam energijos tiekimo pertrūkiui, iššoks kompresoriaus terminis saugiklis, arba, jei šaldytuvo slėgis aušinamojoje sistemoje nesubalansuotas, įsijungia išjungiklis.• Šaldytuvas pradės veikti maždaug po 6 minučių. Jei praėjus šiam periodui šaldytuvas neįsijungia, kreipkitės į aptarnavimo tarnybą.• Vyksta šaldytuvo atšildymo ciklas. Tai normalus visiškai automatinio atšildymo šaldytuvo veikimas. Atšildymo ciklas vyksta periodiškai.• Šaldytuvo laido kištukas neįkištas į lizdą. Patikrinkite, ar kištukas gerai įkištas į sieninį lizdą.• Ar nustatyta teisinga temperatūra? Įvyko energijos tiekimo pertrūkis. Kreipkitės į elektros tiekimo įmonę.
Šaldytuvas dažnai įsijungia arba ilgą laiką veikia.

- Gali būti, kad jūsų naujasis šaldytuvas platesnis už ankstesnįjį. Tai visiškai normalu. Dideli šaldytuvai veikia ilgesnį laiką.
- Gali būti, kad patalpoje yra aukšta temperatūra. Tai visiškai normalu.
- Gali būti, kad šaldytuvas neseniai prijungtas arba į jį neseniai sudėta maisto produktų. Visiškas šaldytuvo atvėsimas gali trukti pora valandų ilgiau.
- Gali būti, kad į šaldytuvą neseniai įdėta daug karštų maisto produktų. Įdėjus karštų maisto produktų, šaldytuvas veikia ilgiau, t.y. tol, kol produktai atvėsina iki saugaus laikymo temperatūros.
- Gali būti, kad buvo dažnai atidarinėjamos durelės arba jos buvo ilgą laiką paliktos atidarytos. Į šaldytuvą pateko šilto oro, todėl šaldytuvas ilgiau veikia. Rečiau atidarinėkite dureles.
- Gali būti, kad šaldiklio arba šaldytuvo skyriaus durelės buvo paliktos atidarytos. Patikrinkite, ar gerai uždarėte dureles.
- Šaldytuve nustatyta labai žema temperatūra. Nustatykite aukštesnę šaldytuvo temperatūrą ir palaukite, kol ši temperatūra bus pasiekta.
- Gali būti, kad užsiteršė, susidėvėjo, buvo pažeistas arba blogai priglunda šaldytuvo arba šaldiklio durelių tarpiklis. Tarpiklį nuvalykite arba pakeiskite. Dėl pažeisto tarpiklio šaldytuvas ilgiau veikia, kad būtų palaikoma esama temperatūra.

Šaldiklio temperatūra labai žema, tačiau šaldytuvo skyriaus temperatūra normali.

- Šaldiklyje nustatyta labai žema temperatūra. Nustatykite aukštesnę šaldiklio temperatūrą ir patikrinkite.

Šaldytuvo temperatūra labai žema, tačiau šaldiklio skyriaus temperatūra normali.

- Šaldytuve nustatyta labai žema temperatūra. Nustatykite aukštesnę šaldytuvo temperatūrą ir patikrinkite.

Šaldytuvo skyriaus stalčiuose laikomi maisto produktai sušąla.

- Šaldytuve nustatyta labai žema temperatūra. Nustatykite aukštesnę šaldytuvo temperatūrą ir patikrinkite.

Temperatūra šaldytuve arba šaldiklyje labai aukšta.

- Šaldytuve nustatyta labai aukšta temperatūra. Šaldytuvo temperatūros nuostata daro poveikį šaldiklio temperatūrai. Nustatykite tokią šaldytuvo arba šaldiklio temperatūrą, kad ji būtų reikiamo lygio.
- Gali būti, kad durelės paliktos atidarytos. Dureles gerai uždarykite.
- Gali būti, kad į šaldytuvą neseniai įdėta daug karštų maisto produktų. Palaukite, kol šaldytuve arba šaldiklyje bus pasiekta norima temperatūra.
- Gali būti, kad šaldytuvas neseniai buvo prijungtas. Šaldytuvas yra didelis, todėl jis visiškai atvėsta praėjus tam tikram laikui.

Iš šaldytuvo sklinda garsai, primenantys mechaninio laikrodžio sekundžių tikslėjimą.

<ul style="list-style-type: none"> • Šis garsą skleidžia šaldytuvo solenoidinis vožtuvas. Solenoidinio vožtuvo funkcija - užtikrinti, kad šaldytuvo skyriuje cirkuliuotų aušinimo skystis; šis vožtuvas leidžia nustatyti aušinimą arba šaldymą bei vykdyti aušinimo funkcijas. Tai visiškai normalu ir nėra gedimas.
Šaldytuvui pradėjus veikti, jis veikia triukšmingai.
<ul style="list-style-type: none"> • Šio šaldytumo darbo našumo savybės gali kisti, priklausomai nuo aplinkos temperatūros pokyčių. Tai normalu ir nėra gedimas.
Vibracija arba triukšmas.
<ul style="list-style-type: none"> • Nelygios arba silpnos grindys. Šaldytuvus lėtai judinamas linguoja. Grindys turi būti lygios, pakankamai tvirtos, kad išlaikytų šaldytuvą. • Triukšmą gali kelti ant šaldytuvo sudėti daiktai. Tokius daiktus reikėtų nuimti nuo šaldytuvo viršaus.
Garsai, panašūs į skysčio ištekėjimą arba purškimą.
<ul style="list-style-type: none"> • Šaldytuvus veikia jo viduje cirkuliuojant skysčio ir dujų srautams. Tai normalu ir nėra gedimas.
Girdimas garsas, kyg vėjas pūstų.
<ul style="list-style-type: none"> • Norint, kad šaldytuvus veiksmingai šaldytų, jame naudojami oro srauto aktyviekiai (ventiliatoriai). Tai normalu ir nėra gedimas.
Kondensacija ant vidinių šaldytuvo sienų.
<ul style="list-style-type: none"> • Apledėjimas ir kondensacija didėja esant karštam ir drėgnam orui. Tai normalu ir nėra gedimas. • Atidarytos durelės. Patikrinkite, ar visiškai uždarėte šaldytuvo duris. • Gali būti, kad durelės buvo dažnai darinėjamos arba jos ilgą laiką buvo paliktos atidarytos. Rečiau atidarinkite dureles.
Ant šaldytuvo išorės arba tarp durelių susidaro drėgmės.
<ul style="list-style-type: none"> • Gali būti, kad oras labai drėgnas. Esant drėgnam orui tai visiškai normalu. Sumažėjus drėgnumui, kondensacija nesusidarys.
Šaldytuve sklinda prastas kvapas.
<ul style="list-style-type: none"> • Reikia išvalyti šaldytuvo vidų. Šaldytuvo vidų išvalykite naudodami kempinę, šiltą arba prisotintą angliarūgštės vandenį. • Gali būti, kad kvapą išskiria kai kurie indai arba pakuotės medžiagos. Naudokite kitą indą arba kitokios rūšies pakavimo medžiagą.
Durelės neužsidaro.
<ul style="list-style-type: none"> • Gali būti, kad durims neleidžia užsidaryti maisto produktų pakuotės. Pakuotes, kurios trukdo durelėms užsidaryti, padėkite į kitą vietą. • Gali būti, kad šaldytuvus nelygiai stovi ant grindų, todėl nesmarkiai jį stumtelėjus, jis gali judėti. Sureguliuokite aukščio reguliavimo varžtus. • Nelygios arba netvirtos grindys. Grindys turi būti lygios ir pakankamai tvirtos, kad išlaikytų šaldytuvą.
Užstringa stalčiai.
<ul style="list-style-type: none"> • Gali būti, kad maisto produktai liečia stalčiaus stogą. Pertvarkykite stalčiuje esančius maisto produktus.

Παρακαλούμε διαβάστε πρώτα το παρόν εγχειρίδιο!

Αγαπητέ Πελάτη,

Ελπίζουμε ότι η συσκευή σας, που κατασκευάστηκε σε μοντέρνες εγκαταστάσεις και ελέγχθηκε με τις πιο αυστηρές διαδικασίες ελέγχου ποιότητας, θα σας προσφέρει αποδοτικά τις υπηρεσίες της.

Για το λόγο αυτό, συνιστούμε να διαβάσετε προσεκτικά όλο το εγχειρίδιο οδηγιών του προϊόντος σας πριν χρησιμοποιήσετε το προϊόν και κατόπιν να το φυλάξετε σε εύκολα προσπελάσιμο σημείο για μελλοντική αναφορά.

Το παρόν εγχειρίδιο

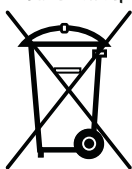
- Θα σας βοηθήσει να χρησιμοποιήσετε τη συσκευή σας με γρήγορο και ασφαλή τρόπο.
- Διαβάστε το εγχειρίδιο πριν την εγκατάσταση και τη χρήση του προϊόντος σας.
- Ακολουθείτε τις οδηγίες και ιδιαίτερα αυτές που αφορούν την ασφάλεια.
- Φυλάξτε το εγχειρίδιο σε εύκολα προσπελάσιμο μέρος γιατί μπορεί να το χρειαστείτε αργότερα.
- Επιπλέον, διαβάστε και την υπόλοιπη τεκμηρίωση που συνοδεύει το προϊόν σας. Έχετε υπόψη σας ότι το παρόν εγχειρίδιο μπορεί να ισχύει και για άλλα μοντέλα.

Σύμβολα και οι περιγραφές τους

Το παρόν εγχειρίδιο οδηγιών περιέχει τα εξής σύμβολα:

- ❗ Σημαντικές πληροφορίες ή χρήσιμες συμβουλές για τη χρήση.
- ⚠ Προειδοποίηση για συνθήκες επικίνδυνες για τη ζωή και την περιουσία.
- ⚠ Προειδοποίηση για ηλεκτρική τάση.

Ανακύκλωση

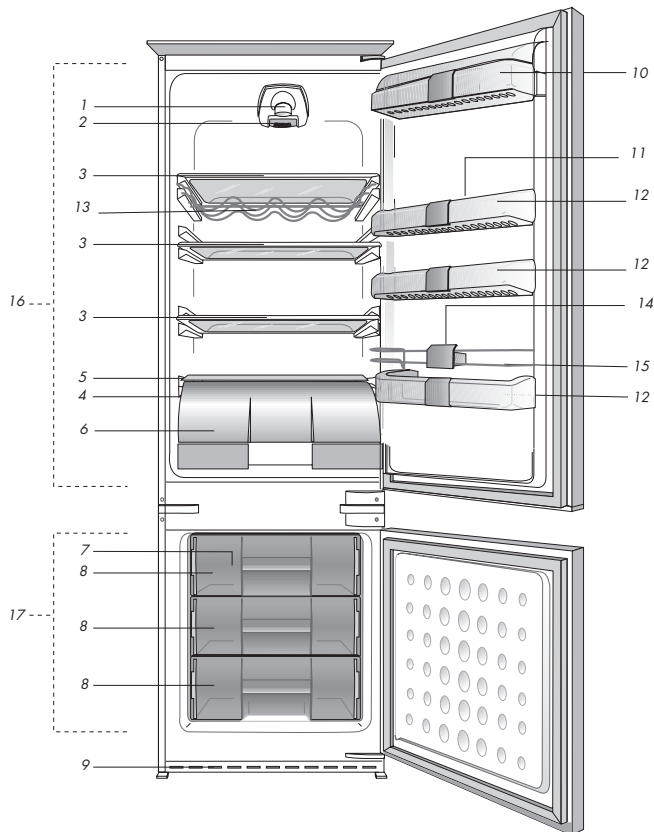


Αυτό το προϊόν φέρει το σύμβολο της επιλεκτικής διαλογής για Απόβλητα ειδών Ηλεκτρικού και Ηλεκτρονικού Εξοπλισμού (ΑΗΗΕ). Αυτό σημαίνει ότι αυτό το προϊόν θα πρέπει να τυχάνει χειρισμού σύμφωνα με την Ευρωπαϊκή Οδηγία 2002/96/ΕΚ για να ανακυκλώνεται ή να αποσυναρμολογείται ώστε να ελαχιστοποιείται η επίπτωσή του στο περιβάλλον. Για περισσότερες πληροφορίες, παρακαλούμε απευθυνθείτε στις τοπικές ή τις περιφερειακές σας αρχές.

Τα ηλεκτρονικά προϊόντα που δεν περιλαμβάνονται στη διαδικασία της επιλεκτικής διαλογής είναι δυνητικά επικίνδυνα για το περιβάλλον και την ανθρώπινη υγεία λόγω της παρουσίας επικίνδυνων ουσιών.

1 Το ψυγείο σας	3	4 Προετοιμασία	13
2 Σημαντικές προειδοποιήσεις ασφαλείας	4	5 Χρήση του ψυγείου σας	14
Προβλεπόμενος σκοπός χρήσης.....	4	Κουμπί ρύθμισης θερμοστάτη	14
Για προϊόντα με διανομέα νερού:.....	6	Απόψυξη.....	14
Ασφάλεια των παιδιών.....	6	Χώρος θερμοκρασίας μηδέν βαθμών.....	15
Προειδοποίηση HCA (Για συσκευές Ψύξης - Θέρμανσης)	6	6 Συντήρηση και καθαρισμός	16
Τι πρέπει να κάνετε για εξοικονόμηση ενέργειας	7	Προστασία των πλαστικών επιφανειών	16
3 Εγκατάσταση	8	7 Συνιστώμενες λύσεις για προβλήματα	17
Σημεία που πρέπει να προσέξετε κατά την εκ νέου μεταφορά του ψυγείου ...	8		
Πριν θέσετε σε λειτουργία το ψυγείο σας	8		
Ηλεκτρική σύνδεση.....	8		
Διάθεση των υλικών συσκευασίας....	9		
Διάθεση του παλιού σας ψυγείου	9		
Τοποθέτηση και εγκατάσταση.....	9		
Αντικατάσταση της εσωτερικής λάμπας	10		
Αντιστροφή της φοράς ανοίγματος των πορτών	11		
Αντιστροφή της φοράς ανοίγματος των πορτών	12		

1 Το ψυγείο σας



- | | |
|---|------------------------------|
| 1. Εσωτερικός φωτισμός | 9. Σχάρα αερισμού |
| 2. Περιστροφικό κουμπί ρύθμισης θερμοκρασίας | 10. Χώρος γαλακτοκομικών |
| 3. Ρυθμιζόμενα ράφια | 11. Θήκη αυγών |
| 4. Κανάλι συλλογής νερού απόψυξης - Σωλήνας αποστράγγισης | 12. Ρυθμιζόμενα ράφια πόρτας |
| 5. Κάλυμμα συρταριών λαχανικών | 13. Ράφι μπουκαλιών |
| 6. Χώρος 0°C | 14. Στήριγμα μπουκαλιών |
| 7. Θήκη για παγάκια | 15. Σύρμα θήκης μπουκαλιών |
| 8. Χώρος κατάψυξης | 16. Χώρος συντήρησης |
| | 17. Χώρος κατάψυξης |

Οι εικόνες σ' αυτό το εγχειρίδιο οδηγιών είναι σχηματικές και ενδέχεται να μην ανταποκρίνονται ακριβώς στο προϊόν σας. Αν ορισμένα τμήματα δεν περιλαμβάνονται στο προϊόν που έχετε προμηθευτεί, τότε ισχύουν για άλλα μοντέλα.

2 Σημαντικές προειδοποιήσεις ασφαλείας

Παρακαλούμε να μελετήσετε τις πληροφορίες που ακολουθούν. Η μη τήρηση αυτών των πληροφοριών μπορεί να γίνει αιτία τραυματισμών ή υλικών ζημιών. Αν δεν το κάνετε αυτό, θα καταστεί άκυρη κάθε εγγύηση και κάθε δέσμευση περί αξιοπιστίας.

Ο χρόνος ωφέλιμης ζωής της μονάδας που προμηθευτήκατε είναι 10 έτη. Αυτή είναι η περίοδος διατήρησης των ανταλλακτικών που απαιτούνται για τη λειτουργία της μονάδας σύμφωνα με τα περιγραφόμενα.

Προβλεπόμενος σκοπός χρήσης

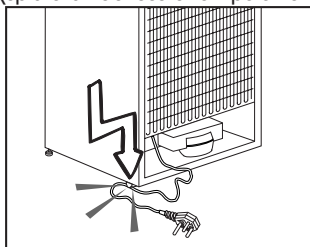
Το προϊόν αυτό προορίζεται να χρησιμοποιείται

- σε εσωτερικούς χώρους και κλειστές περιοχές όπως είναι τα σπίτια
 - σε κλειστούς χώρους εργασίας όπως καταστήματα και γραφεία
 - σε κλειστούς χώρους ενδιαίτησης όπως αγροτόσπιτα, ξενοδοχεία, πανσιόν.
- Το προϊόν αυτό δεν πρέπει να χρησιμοποιείται σε εξωτερικό χώρο.

Γενικές οδηγίες ασφαλείας

- Όταν θέλετε να πετάξετε ως άχρηστο ή να ανακυκλώσετε το προϊόν, συνιστούμε για τις απαιτούμενες πληροφορίες να συμβουλευτείτε το εξουσιοδοτημένο σέρβις ή τους αρμόδιους φορείς.
- Να συμβουλευέστε το εξουσιοδοτημένο σέρβις για όλες τις ερωτήσεις και προβλήματα σχετικά με το ψυγείο. Μην επεμβαίνετε και μην αφήνετε οποιονδήποτε άλλον να επέμβει στο ψυγείο χωρίς να ειδοποιήσετε το εξουσιοδοτημένο σέρβις.
- Για προϊόντα με χώρο κατάψυξης: Μην καταναλώνετε παγωτό και παγοκύβους αμέσως μόλις τα βγάλετε από το χώρο της κατάψυξης! (Αυτό μπορεί να προκαλέσει κρυσπαγήματα στο στόμα σας.)
- Για προϊόντα με χώρο κατάψυξης: Μην τοποθετείτε στην κατάψυξη ποτά ή αναψυκτικά σε μπουκάλια ή μεταλλικά κουτιά. Αλλιώς, υπάρχει κίνδυνος να σκάσουν.
- Μην αγγίζετε τα παγωμένα τρόφιμα με τα χέρια, γιατί μπορεί να κολλήσουν στο χέρι σας.
- Αποσυνδέετε το ψυγείο από την πρίζα πριν τον καθαρισμό ή την απόψυξη.
- Δεν πρέπει να χρησιμοποιείτε ποτέ ατμό και ατμοποιημένα καθαριστικά υλικά στις διαδικασίες καθαρισμού και απόψυξης του ψυγείου σας. Σε τέτοιες περιπτώσεις, ο ατμός μπορεί να έλθει σε επαφή με τα ηλεκτρικά εξαρτήματα και να γίνει η αιτία βραχυκυκλώματος ή ηλεκτροπληξίας.
- Ποτέ μη χρησιμοποιείτε εξαρτήματα του ψυγείου σας, όπως η πόρτα, ως μέσο στήριξης ή ως σκαλοπάτι.
- Μη χρησιμοποιείτε ηλεκτρικές συσκευές στο εσωτερικό του ψυγείου.
- Μην προσεγγίσετε ζημιά με εργαλεία διάτρησης ή κοπής στα μέρη της συσκευής όπου κυκλοφορεί το ψυκτικό μέσο. Το ψυκτικό μέσο που μπορεί να εκτιναχθεί αν τρυπήσουν οι δίοδοι αερίου του εξατμιστήρα, των επεκτάσεων σωλήνων ή των επιφανειακών επικαλύψεων, προκαλεί ερεθισμό στο δέρμα και τραυματισμό στα μάτια.
- Μην καλύπτετε και μην φράσετε με οποιοδήποτε υλικό τα ανοίγματα αερισμού του ψυγείου σας.
- Οι επισκευές σε ηλεκτρικές συσκευές πρέπει να διεξάγονται μόνο από εξουσιοδοτημένο προσωπικό. Οι επισκευές που γίνονται από αναρμόδια άτομα δημιουργούν κινδύνους για το χρήστη.
- Σε περίπτωση οποιασδήποτε βλάβης ή κατά τη διάρκεια των εργασιών συντήρησης ή επισκευών, να αποσυνδέετε το ψυγείο από την παροχή ηλεκτρικού ρεύματος είτε απενεργοποιώντας τον αντίστοιχο ασφαλειοδιακόπτη είτε βγάζοντας το φις από την πρίζα.

- Για την αποσύνδεση του φισ μην τραβάτε το καλώδιο.
- Τοποθετείτε τα ποτά που έχουν σχετικά μεγάλη περιεκτικότητα σε οινόπνευμα σφικτά κλεισμένα και σε κατακόρυφη θέση.
- Ποτέ μην αποθηκεύετε στο ψυγείο μπουκάλια σπρέι που περιέχουν εύφλεκτες και εκρηκτικές ουσίες.
- Μη χρησιμοποιείτε μηχανικές διατάξεις ή άλλα μέσα για να επιταχύνετε τη διαδικασία της απόψυξης, εκτός από τα μέσα που συνιστά ο κατασκευαστής.
- Το προϊόν αυτό δεν προορίζεται για χρήση από άτομα με σωματικά, αισθητηριακά ή διανοητικά προβλήματα ή από άτομα με έλλειψη εμπειρίας (περιλαμβανομένων παιδιών), εκτός αν τα άτομα βρίσκονται υπό την επίβλεψη ατόμου που θα είναι υπεύθυνο για την ασφάλειά τους ή που θα τα καθοδηγήσει όπως απαιτείται για τη χρήση του προϊόντος.
- Μη χρησιμοποιήσετε το ψυγείο αν έχει υποστεί βλάβη ή ζημιά. Αν έχετε οποιαδήποτε αμφιβολία συμβουλευτείτε τον αντιπρόσωπο σέρβις.
- Η ηλεκτρική ασφάλεια του ψυγείου σας θα είναι εγγυημένη μόνον αν το σύστημα γείωσης του σπιτιού σας συμμορφώνεται με τα ισχύοντα πρότυπα.
- Η έκθεση του προϊόντος σε βροχή, χιόνι, ήλιο και άνεμο δημιουργεί κινδύνους σε σχέση με την ασφάλεια με το ηλεκτρικό ρεύμα.
- Αν υπάρχει ζημιά στο καλώδιο ρεύματος, για την αποφυγή κινδύνου επικοινωνήστε με το εξουσιοδοτημένο σέρβις.
- Σε καμία περίπτωση μη συνδέσετε το ψυγείο στην πρίζα κατά τη διάρκεια της εγκατάστασης. Αλλιώς, μπορεί να δημιουργηθεί κίνδυνος θανάτου ή σοβαρού τραυματισμού.
- Το ψυγείο αυτό προορίζεται αποκλειστικά για τη φύλαξη τροφίμων. Δεν πρέπει να χρησιμοποιηθεί για οποιονδήποτε άλλο σκοπό.
- Η επικέτα τεχνικών προδιαγραφών βρίσκεται πάνω στο αριστερό τοίχωμα στο εσωτερικό του ψυγείου.
- Ποτέ μη συνδέσετε το ψυγείο σας σε συστήματα εξοικονόμησης ενέργειας, γιατί αυτά μπορεί να προκαλέσουν ζημιά στο ψυγείο.
- Αν το ψυγείο σας διαθέτει μπλε φως, μην κοιτάζετε το μπλε φως μέσω οπτικών διατάξεων.
- Για ψυγεία με μη αυτόματο σύστημα ελέγχου, μετά από διακοπή ρεύματος περιμένετε τουλάχιστον 5 λεπτά πριν θέσετε πάλι το ψυγείο σε λειτουργία.
- Σε περίπτωση μεταβίβασης, το παρόν εγχειρίδιο χρήσης θα πρέπει να παραδοθεί στον καινούριο ιδιοκτήτη του προϊόντος.
- Αποφύγετε την πρόκληση ζημιάς στο καλώδιο ρεύματος όταν μεταφέρετε το ψυγείο. Αν το καλώδιο τσακίσει μπορεί να προκληθεί πυρκαγιά. Ποτέ μην τοποθετείτε βαριά αντικείμενα πάνω στο καλώδιο ρεύματος. Μη αγγίζετε το φισ με υγρά χέρια όταν συνδέετε το προϊόν στην πρίζα.



- Μη συνδέσετε το ψυγείο σε πρίζα που δεν είναι καλά στερεωμένη στη θέση της.
- Για λόγους ασφαλείας, δεν πρέπει ποτέ να πισπιλίζετε νερό απ' ευθείας σε εσωτερικά ή εξωτερικά μέρη του προϊόντος.
- Για να αποφύγετε τον κίνδυνο πυρκαγιάς και έκρηξης, μην ψεκάζετε κοντά στο ψυγείο υλικά που περιέχουν εύφλεκτα αέρια όπως προπάνιο κ.λ.π.
- Ποτέ μην τοποθετείτε πάνω στο ψυγείο δοχεία που περιέχουν νερό, γιατί μπορεί να προκληθεί ηλεκτροπληξία ή πυρκαγιά.
- Μην υπερφορτώνετε το ψυγείο με υπερβολική ποσότητα τροφίμων. Αν υπερφορτωθεί το ψυγείο, όταν ανοίγετε την πόρτα τα τρόφιμα μπορεί να πέσουν και να σας κτυπήσουν ή να προξενήσουν ζημιά στο ψυγείο. Ποτέ μην τοποθετείτε αντικείμενα πάνω στο ψυγείο. Διαφορετικά μπορεί να πέσουν όταν ανοίγετε ή κλείνετε την πόρτα του ψυγείου.

- Επειδή για τη φύλαξή τους απαιτούνται ακριβείς συνθήκες θερμοκρασίας, δεν πρέπει να φυλάσσονται στο ψυγείο εμβόλια, φάρμακα ευαίσθητα στη θερμοκρασία, επιστημονικά υλικά κλπ.
- Το ψυγείο θα πρέπει να αποσυνδέεται από το ρεύμα αν δεν πρόκειται να χρησιμοποιηθεί για μεγάλο χρονικό διάστημα. Ένα ενδεχόμενο πρόβλημα στο καλώδιο ρεύματος μπορεί να προκαλέσει πυρκαγιά.
- Τα άκρα του φινιρίσματος πρέπει να καθαρίζονται τακτικά, αλλιώς μπορεί να προκληθεί πυρκαγιά.
- Τα άκρα του φινιρίσματος πρέπει να καθαρίζονται τακτικά με ένα στεγνό πανί, αλλιώς μπορεί να προκληθεί πυρκαγιά.
- Το ψυγείο μπορεί να μετακινηθεί αν τα ρυθμιζόμενα πόδια δεν έχουν ρυθμιστεί ώστε να έχουν σταθερή επαφή με το δάπεδο. Η σωστή στερέωση των ρυθμιζόμενων ποδιών στο δάπεδο μπορεί να αποτρέψει τη μετακίνηση του ψυγείου.
- Όταν μεταφέρετε το ψυγείο μην το κρατάτε από τη λαβή της πόρτας. Διαφορετικά, αυτή μπορεί να σπάσει.
- Όταν χρειαστεί να εγκαταστήσετε το ψυγείο σας δίπλα σε άλλο ψυγείο ή καταψύκτη, η απόσταση ανάμεσα στις συσκευές θα πρέπει να είναι τουλάχιστον 8 εκ. Διαφορετικά, μπορεί να σχηματιστεί υγρασία στα γειτονικά πλευρικά τοιχώματα.

Για προϊόντα με διανομέα νερού:

- Η πίεση του νερού δικτύου δεν θα πρέπει να είναι μικρότερη από 1 bar. Η πίεση του νερού δικτύου δεν θα πρέπει να είναι μεγαλύτερη από 8 bar.
- Χρησιμοποιείτε μόνο πόσιμο νερό.

Ασφάλεια των παιδιών

- Αν το ψυγείο σας διαθέτει κλειδαριά, πρέπει να φυλάτε το κλειδί μακριά από παιδιά.
- Τα παιδιά πρέπει να βρίσκονται υπό επίβλεψη ώστε να μην επεμβαίνουν στο προϊόν.

Προειδοποίηση HCA (Για συσκευές Ψύξης - Θέρμανσης)

Αν το ψυκτικό σύστημα της συσκευής σας περιέχει R600a:

Το αέριο αυτό είναι εύφλεκτο. Για το λόγο αυτό, προσέχετε να μην προκληθεί ζημιά στο ψυκτικό σύστημα και τις σωληνώσεις του κατά τη χρήση και τη μεταφορά της συσκευής. Σε περίπτωση ζημιάς, κρατήστε τη συσκευή σας μακριά από ενδεχόμενες πηγές φωτιάς οι οποίες μπορούν να κάνουν το προϊόν να πιάσει φωτιά και αερίστε το χώρο στον οποίο είναι τοποθετημένη η μονάδα.

Αγνοήστε αυτή την προειδοποίηση αν το ψυκτικό σύστημα της συσκευής σας περιέχει R134a.

Ο τύπος αερίου που χρησιμοποιείται στο προϊόν αναφέρεται στην πινακίδα στοιχείων η οποία βρίσκεται πάνω στο αριστερό τοίχωμα στο εσωτερικό του ψυγείου. Σε καμία περίπτωση μην πετάξετε το προϊόν σε φωτιά.

Τι πρέπει να κάνετε για εξοικονόμηση ενέργειας

- Μην αφήνετε τις πόρτες του ψυγείου σας ανοικτές για μεγάλο χρονικό διάστημα.
- Μην τοποθετείτε ζεστά φαγητά ή ποτά στο ψυγείο σας.
- Μην υπερφορτώνετε το ψυγείο σας, ώστε να μην εμποδίζεται η κυκλοφορία αέρα στο εσωτερικό του.
- Μην τοποθετείτε το ψυγείο σας σε απ' ευθείας ηλιακό φως ή κοντά σε συσκευές που εκπέμπουν θερμότητα όπως φούρνους, πλυντήρια πιάτων ή σώματα θέρμανσης.
- Φροντίζετε να διατηρείτε τα τρόφιμα σε κλειστά δοχεία.
- Για προϊόντα με χώρο κατάψυξης: Μπορείτε να φυλάξετε τη μέγιστη ποσότητα τροφίμων στην κατάψυξη όταν αφαιρέστε το ράφι ή το συρτάρι της κατάψυξης. Η αναφερόμενη τιμή κατανάλωσης ενέργειας για το ψυγείο σας προσδιορίστηκε ενώ είχε αφαιρεθεί το ράφι ή το συρτάρι της κατάψυξης και με το μέγιστο φορτίο τροφίμων. Δεν υπάρχει πρόβλημα από τη χρήση ραφίου ή συρταριού ανάλογα με τα σχήματα και τα μεγέθη των τροφίμων που πρόκειται να καταψυχθούν.
- Η απόψυξη των κατεψυγμένων τροφίμων στο χώρο συντήρησης θα παρέχει και εξοικονόμηση ενέργειας και καλύτερη διατήρηση της ποιότητας των τροφίμων.

3 Εγκατάσταση

⚠ Παρακαλούμε να θυμάστε ότι δεν θα θεωρείται υπεύθυνος ο κατασκευαστής αν δεν τηρηθούν οι πληροφορίες που δίνονται στο εγχειρίδιο οδηγιών.

Σημεία που πρέπει να προσέξετε κατά την εκ νέου μεταφορά του ψυγείου

1. Θα πρέπει να αδειάσετε και να καθαρίσετε το ψυγείο σας πριν από οποιαδήποτε μεταφορά.
2. Πριν τοποθετήσετε πάλι το ψυγείο στη συσκευασία του, τα ράφια, τα αξεσουάρ, το συρτάρι λαχανικών κλπ. θα πρέπει να στερεωθούν με χρήση κολλητικής ταινίας για προστασία από τα τραντάγματα.
3. Η συσκευασία θα πρέπει να ασφαλιστεί με ταινίες κατάλληλου πάχους και γερά σχοινιά και θα πρέπει να ακολουθούνται οι κανόνες μεταφοράς που είναι τυπωμένοι στο κιβώτιο.

Μην ξεχνάτε...

Κάθε υλικό που ανακυκλώνεται είναι μια απαραίτητη πηγή υλικών προς όφελος της φύσης και των εθνικών μας πόρων.

Αν επιθυμείτε να συμβάλετε στην ανακύκλωση των υλικών συσκευασίας, μπορείτε να πάρετε περισσότερες πληροφορίες από τους περιβαλλοντικούς φορείς ή τις τοπικές αρχές.

Πριν θέσετε σε λειτουργία το ψυγείο σας

Πριν αρχίσετε να χρησιμοποιείτε το ψυγείο σας ελέγξτε τα εξής:

1. Είναι το εσωτερικό του ψυγείου στεγνό και μπορεί ο αέρας να κυκλοφορεί ανεμπόδιστα στο πίσω του μέρος;
2. Τοποθετήστε τις 2 πλαστικές σφήνες όπως δείχνει η εικόνα. Οι πλαστικές σφήνες θα παρέχουν την απαιτούμενη απόσταση ανάμεσα στο ψυγείο σας και τον τοίχο ώστε να επιτρέπεται η κυκλοφορία του αέρα. (Το παρουσιαζόμενο σχήμα είναι μόνο ενδεικτικό και δεν αντιστοιχεί απόλυτα στο προϊόν σας.)

3. Καθαρίστε το εσωτερικό του ψυγείου όπως συνιστάται στην ενότητα "Συντήρηση και καθαρισμός".
4. Συνδέστε το ψυγείο στην πρίζα στον τοίχο. Όταν ανοίξει η πόρτα, το εσωτερικό φως στο χώρο συντήρησης θα ανάψει.
5. Θα ακούσετε ένα θόρυβο καθώς ξεκινά η λειτουργία του συμπιεστή. Το υγρό και τα αέρια που βρίσκονται στο κλειστό κύκλωμα ψύξης μπορεί επίσης να προκαλέσουν θόρυβο, ακόμα και όταν ο συμπιεστής δεν λειτουργεί, πράγμα που είναι φυσιολογικό.
6. Οι μπροστινές ακμές του ψυγείου μπορεί να είναι θερμές στο άγγιγμα. Αυτό είναι φυσιολογικό. Οι περιοχές αυτές έχουν σχεδιαστεί να είναι θερμές ώστε να αποφεύγεται η συμπύκνωση.

Ηλεκτρική σύνδεση

Συνδέστε τη συσκευή σας σε γειωμένη πρίζα η οποία προστατεύεται από ασφάλεια κατάλληλης ονομαστικής τιμής ρεύματος.

Σημαντική παρατήρηση:

- Η σύνδεση πρέπει να συμμορφώνεται με τους εθνικούς κανονισμούς.
 - Το φως του καλωδίου ρεύματος πρέπει να είναι εύκολα προσπελάσιμο μετά την εγκατάσταση.
 - Η καθοριζόμενη ηλεκτρική τάση πρέπει να είναι ίδια με την τάση ρεύματος του δικτύου σας.
 - Δεν πρέπει να χρησιμοποιούνται καλώδια προέκτασης και πολυπρίζα για τη σύνδεση στο ρεύμα.
- ⚠ Αν ένα καλώδιο ρεύματος έχει υποστεί ζημιά, αυτό πρέπει να αντικατασταθεί από αδειούχο ειδικό τεχνικό.
- ⚠ Δεν επιτρέπεται η λειτουργία της συσκευής πριν την επισκευή! Υπάρχει κίνδυνος ηλεκτροπληξίας!

Διάθεση των υλικών συσκευασίας

Τα υλικά συσκευασίας μπορεί να είναι επικίνδυνα για τα παιδιά. Κρατάτε τα υλικά συσκευασίας μακριά από παιδιά ή πετάξετε τα αφού τα διαχωρίσετε ανάλογα με τις οδηγίες για απόβλητα. Μην τα πετάξετε μαζί με τα κοινά οικιακά απορρίμματα.

Η συσκευασία του ψυγείου σας έχει παραχθεί από ανακυκλώσιμα υλικά.

Διάθεση του παλιού σας ψυγείου

Απορρίψτε το παλιό σας ψυγείο με τρόπο φιλικό προς το περιβάλλον.

- Σχετικά με τον τρόπο απόρριψης του ψυγείου σας μπορείτε να συμβουλευτείτε τον εξουσιοδοτημένο έμπορο που συνεργάζεστε ή τις δημοτικές σας αρχές.

Πριν πετάξετε το ψυγείο σας, κόψτε το καλώδιο ρεύματος, και, αν υπάρχουν κλειδαριές σε πόρτες, καταστήστε τις μη λειτουργικές, για την προστασία των παιδιών από οποιονδήποτε κίνδυνο.

Τοποθέτηση και εγκατάσταση

⚠️ Αν η πόρτα εισόδου του χώρου όπου θα τοποθετηθεί το ψυγείο δεν είναι αρκετά πλατιά για να περάσει το ψυγείο, τότε καλέστε το εξουσιοδοτημένο σέρβις για να αφαιρέσει την πόρτα του ψυγείου σας και να το περάσει μέσα από την πόρτα με το πλάι.

1. Εγκαταστήστε το ψυγείο σε θέση που προσφέρει ευκολία στη χρήση.
2. Κρατήστε το ψυγείο σας μακριά από πηγές θερμότητας, μέρη με υγρασία και από απ' ευθείας ηλιακό φως.

3. Πρέπει να υπάρχει επαρκής κυκλοφορία αέρα γύρω από το ψυγείο σας για να επιτυγχάνεται αποδοτική λειτουργία. Αν το ψυγείο πρέπει να τοποθετηθεί σε εσοχή στον τοίχο, θα πρέπει να υπάρχει ελάχιστη απόσταση 5 εκ. από το ταβάνι και 5 εκ. από τον τοίχο. Αν το πάτωμα είναι καλυμμένο με χαλί, το προϊόν σας θα πρέπει να ανυψωθεί κατά 2,5 εκ. από το δάπεδο.
4. Τοποθετήστε το ψυγείο σας σε δάπεδο με επίπεδη επιφάνεια για να αποφευχθούν τα τσαντάγματα.
5. Μην αφήνετε το ψυγείο σας σε θερμοκρασίες περιβάλλοντος χώρου μικρότερες από 10°C.

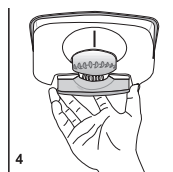
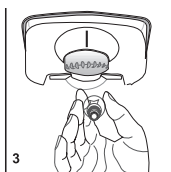
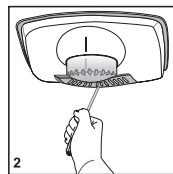
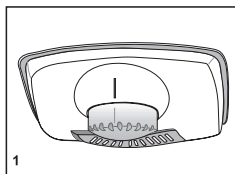
ⓘ Η συσκευή αυτή έχει σχεδιαστεί να λειτουργεί σε θερμοκρασίες που καθορίζονται στον πιο κάτω πίνακα και είναι εξοπλισμένη με Προηγμένο ηλεκτρονικό σύστημα ελέγχου θερμοκρασίας (Advanced Electronic Temperature Control System, AETCS) που εξασφαλίζει ότι στη συνιστώμενη ρύθμιση [4 - τέσσερα στο περιστροφικό κουμπί] τα κατεψυγμένα τρόφιμα στο χώρο κατάψυξης δεν θα αποψυχθούν ακόμη και αν η θερμοκρασία περιβάλλοντος πέσει ως τους -15°C . Όταν γίνεται εγκατάσταση για πρώτη φορά, το προϊόν ΔΕΝ ΘΑ ΠΡΕΠΕΙ να τοποθετηθεί σε χαμηλές θερμοκρασίες περιβάλλοντος επειδή η θερμοκρασία κατάψυξης δεν θα μειωθεί στην κανονική τιμή λειτουργίας. Όταν το ψυγείο έχει φθάσει στη σταθερή του κατάσταση λειτουργίας, μπορείτε να αλλάξετε τη θέση του. Τότε λοιπόν μπορείτε να εγκαταστήσετε τη συσκευή σας σε γκαράζ ή σε μη θερμαινόμενο δωμάτιο χωρίς να χρειάζεται να ανησυχείτε μήπως χαλάσουν τα τρόφιμα στο χώρο κατάψυξης. Ωστόσο στις χαμηλές θερμοκρασίες που αναφέρθηκαν πιο πάνω, πιθανόν θα παγώσουν τα περιεχόμενα του χώρου συντήρησης, γι' αυτό ελέγχετε και καταναλώνετε όπως χρειάζεται τα τρόφιμα στο χώρο συντήρησης. Όταν η θερμοκρασία περιβάλλοντος επιστρέψει στο κανονικό, μπορείτε να αλλάξετε τη ρύθμιση του περιστροφικού κουμπιού ώστε να ταιριάζει με τις ανάγκες σας.

ⓘ Αν η θερμοκρασία περιβάλλοντος είναι κάτω από 0°C , τα τρόφιμα στο χώρο συντήρησης θα παγώσουν. Γι' αυτό συνιστούμε να μη χρησιμοποιείτε το χώρο συντήρησης σε τόσο χαμηλές θερμοκρασίες περιβάλλοντος. Μπορείτε να συνεχίσετε τη χρήση του χώρου κατάψυξης ως συνήθως.

Αντικατάσταση της εσωτερικής λάμπας

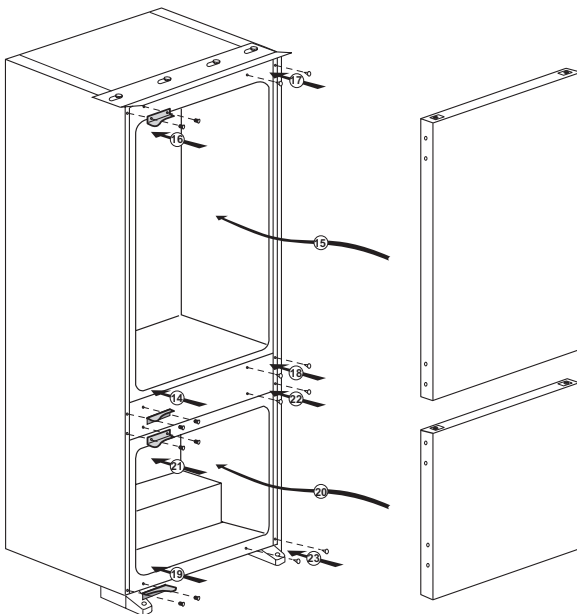
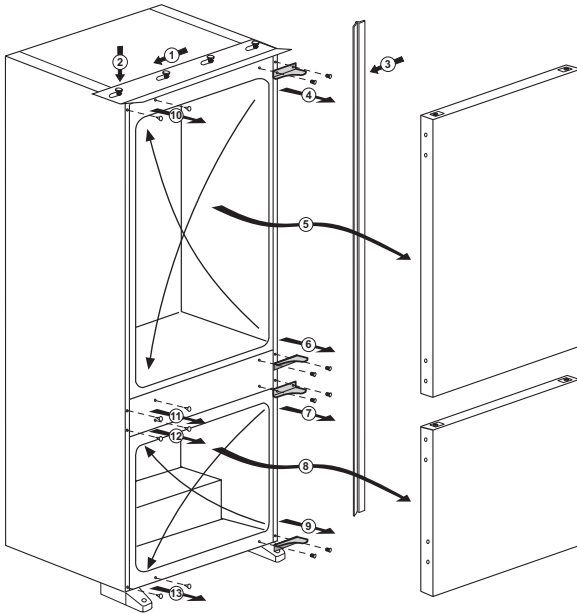
Σε περίπτωση που το φως σταματήσει να λειτουργεί, κάνετε τα ακόλουθα:

- 1- Διακόψτε την παροχή ρεύματος στην πρίζα και τραβήξτε το φως από την πρίζα. Ενδεχομένως να βρείτε χρήσιμο να αφαιρέσετε ορισμένα ράφια για εύκολη πρόσβαση.
 - 2- Χρησιμοποιήστε ένα κατσαβίδι με ίσια μύτη για να αφαιρέσετε το κάλυμμα της λάμπας.
 - 3- Πρώτα ελέγξτε μήπως έχει χαλαρώσει η λάμπα και βεβαιωθείτε ότι είναι σφιχτά βιδωμένη στην υποδοχή της. Συνδέστε πάλι το φως και ενεργοποιήστε το ψυγείο. Εάν η λάμπα λειτουργεί, τοποθετήστε πάλι το κάλυμμα βάζοντας πρώτα το πίσω αυτί και σπρώχνοντας προς τα επάνω για να μπουν στη θέση τους και τα δύο μπροστινά αυτιά.
 - 4- Εάν η λάμπα συνεχίζει να μη λειτουργεί, διακόψτε την παροχή ρεύματος στην πρίζα και βγάλτε το φως από την πρίζα. Αντικαταστήστε τη λάμπα με νέα 15 W (μέγ.) βιδωτού τύπου (SES).
 - 5- Πετάξτε αμέσως με προσοχή την καμένη λάμπα.
- Ανταλλακτική λάμπα μπορείτε να βρείτε εύκολα σε καλό κατάστημα ηλεκτρολογικών υλικών ή σε κατάστημα για μαστορέματα.



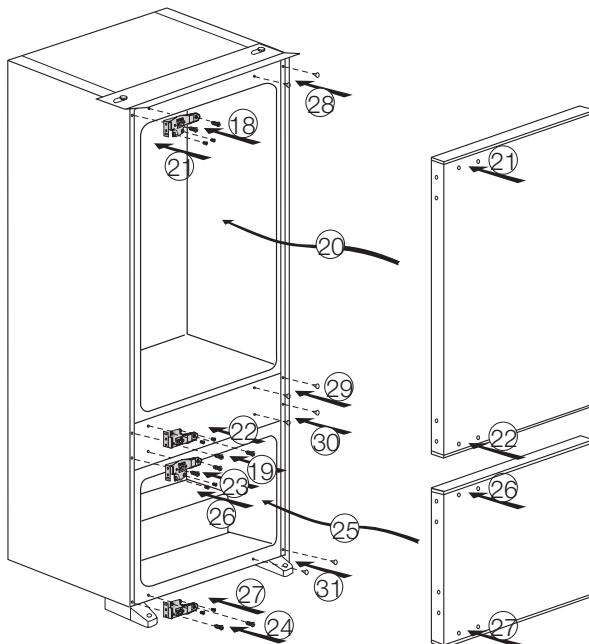
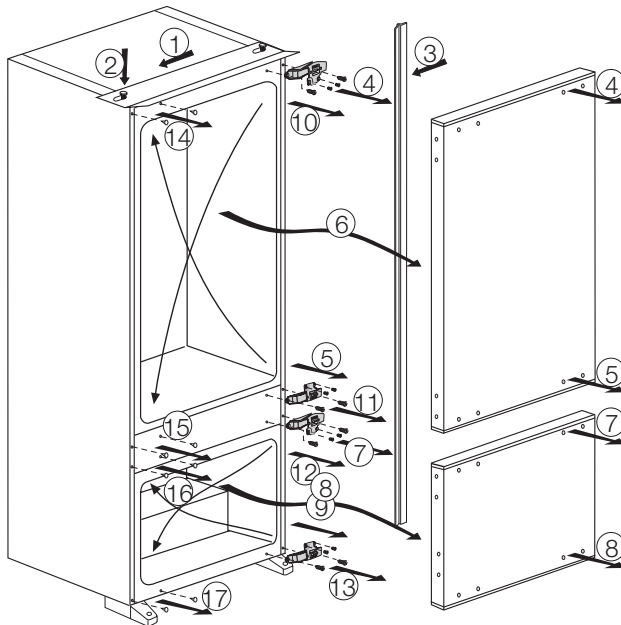
Αντιστροφή της φοράς ανοίγματος των πορτών

Προχωρήστε σύμφωνα με την σειρά των αριθμών



Αντιστροφή της φοράς ανοίγματος των πορτών

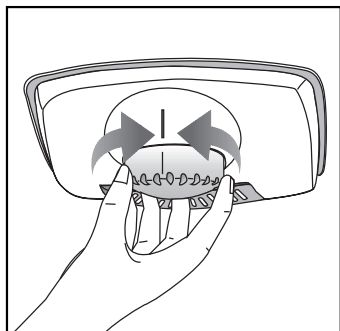
Προχωρήστε σύμφωνα με την σειρά των αριθμών



4 Προετοιμασία

- i** Το ψυγείο σας θα πρέπει να εγκατασταθεί σε απόσταση τουλάχιστον 30 εκ. από πηγές θερμότητας όπως εστίες μαγειρέματος, φούρνους, σώματα κεντρικής θέρμανσης και σόμπες, και τουλάχιστον 5 εκ. μακριά από ηλεκτρικούς φούρνους και δεν θα πρέπει να τοποθετείται σε μέρη όπου δέχεται απ' ευθείας ηλιακή ακτινοβολία.
- i** Η θερμοκρασία περιβάλλοντος του δωματίου που τοποθετείτε το ψυγείο σας θα πρέπει να είναι τουλάχιστον 10°C. Η λειτουργία του ψυγείου σας σε πιο κρύες συνθήκες από αυτές δεν συνιστάται από την άποψη της απόδοσής του.
- i** Παρακαλούμε να φροντίζετε να διατηρείτε το εσωτερικό του ψυγείου σας σχολαστικά καθαρό.
- i** Αν πρέπει να εγκατασταθούν δύο ψυγεία το ένα δίπλα στο άλλο, θα πρέπει να υπάρχει μεταξύ τους απόσταση τουλάχιστον 2 εκ.
- i** Όταν θέσετε το ψυγείο σε λειτουργία για πρώτη φορά, παρακαλούμε τηρείτε τις ακόλουθες οδηγίες κατά τις αρχικές έξι ώρες.
 - Η πόρτα δεν θα πρέπει να ανοίγει συχνά.
 - Το ψυγείο θα πρέπει να λειτουργήσει κενό, χωρίς τρόφιμα στο εσωτερικό του.
 - Μην αποσυνδέσετε το ψυγείο σας από το ρεύμα. Αν συμβεί μια ανεξέλεγκτη διακοπή ρεύματος, δείτε τις προειδοποιήσεις στην ενότητα "Συνιστώμενες λύσεις για προβλήματα".
- i** Η αρχική συσκευασία και τα αφρώδη υλικά θα πρέπει να φυλαχτούν για μελλοντικές μεταφορές ή μετακόμιση.

5 Χρήση του ψυγείου σας



Κουμπί ρύθμισης θερμοστάτη

Η εσωτερική θερμοκρασία του ψυγείου σας μεταβάλλεται για τους εξής λόγους:

- Εποχική διακύμανση θερμοκρασίας περιβάλλοντος,
- Συχνό άνοιγμα και παραμονή ανοικτής της πόρτας για μεγάλα διαστήματα,
- Τοποθέτηση στο ψυγείο τροφίμων χωρίς πρώτα να ψυχθούν στη θερμοκρασία περιβάλλοντος,
- Θέση του ψυγείου στο δωμάτιο (π.χ. έκθεση σε ηλιακό φως).
- Μπορείτε με το θερμοστάτη να αντισταθμίσετε τη διακύμανση της εσωτερικής θερμοκρασίας εξαιτίας των πιο πάνω αιτιών. Οι αριθμοί περιμετρικά του κουμπιού του θερμοστάτη δείχνουν τους βαθμούς ψύξης.
- Αν η θερμοκρασία του περιβάλλοντος είναι υψηλότερη από 32 °C, γυρίστε το κουμπί του θερμοστάτη στη θέση μέγιστης ψύξης.
- Αν η θερμοκρασία του περιβάλλοντος είναι χαμηλότερη από 25 °C, γυρίστε το κουμπί του θερμοστάτη στη θέση ελάχιστης ψύξης.

Απόψυξη

Χώρος συντήρησης

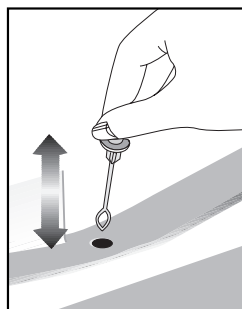
Ο χώρος συντήρησης εκτελεί πλήρως αυτόματη απόψυξη. Όταν η θερμοκρασία στο χώρο συντήρησης πέφτει, στο πίσω τοίχωμα του εσωτερικού του μπορεί να δημιουργηθούν σταγονίδια νερού και πάχνη πάχους μέχρι 7-8 χιλ. Το φαινόμενο αυτό είναι φυσιολογικό αποτέλεσμα της λειτουργίας του συστήματος ψύξης. Η πάχνη που δημιουργείται αποψύχεται με την εκτέλεση αυτόματης απόψυξης σε ορισμένα διαστήματα χάρη στο σύστημα αυτόματης απόψυξης στο πίσω τοίχωμα. Δεν απαιτείται από το χρήστη να ξύσει την πάχνη ή να απομακρύνει τα σταγονίδια νερού.

Το νερό που παράγεται κατά την απόψυξη περνάει από την αυλάκωση συλλογής νερού και ρέει στον εξατμιστή μέσα από το σωλήνα αποστράγγισης. Στον εξατμιστή το νερό εξατμίζεται αυτόματα.

Ελέγχετε τακτικά μήπως ο σωλήνας αποστράγγισης είναι φραγμένος και καθαρίστε τον, αν χρειάζεται, με το ραβδάκι που βρίσκεται στην οπή.

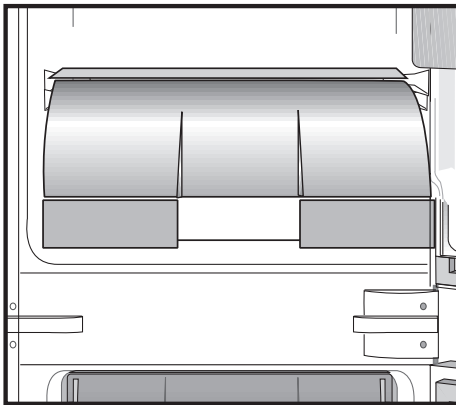
Ο χώρος βαθιάς κατάψυξης δεν εκτελεί αυτόματη απόψυξη, ώστε να αποφευχθεί η αλλοίωση των τροφίμων.

Ο χώρος κατάψυξης διαθέτει αυτόματη απόψυξη.



Χώρος θερμοκρασίας μηδέν βαθμών

Ο χώρος αυτός έχει σχεδιαστεί για τη σωστή φύλαξη κατεψυγμένων τροφίμων τα οποία θα πρέπει να αποψυχθούν αργά (κρέας, ψάρι, κοτόπουλο κλπ.). Ο χώρος θερμοκρασίας μηδέν βαθμών είναι το πιο κρύο μέρος του ψυγείου σας, στο οποίο μπορεί να φυλαχτούν σε ιδανικές συνθήκες διατήρησης γαλακτοκομικά προϊόντα (τυρί, βούτυρο), κρέας, ψάρι ή κοτόπουλο. Λαχανικά και/ή φρούτα δεν πρέπει να τοποθετούνται σε αυτόν το χώρο.



6 Συντήρηση και καθαρισμός

- ⚠ Ποτέ μη χρησιμοποιήσετε βενζίνη, βενζόλιο ή παρόμοια υλικά για τον καθαρισμό.
- ⚠ Συνιστούμε να αποσυνδέετε τη συσκευή από την πρίζα πριν τον καθαρισμό.
- ⚠ Ποτέ μη χρησιμοποιείτε για τον καθαρισμό οποιοδήποτε αιχμηρό όργανο που χαράζει, σαπούνι, οικιακά καθαριστικά, απορρυπαντικά και γυαλιστικά κεριού.
- ℹ Για να καθαρίσετε το περίβλημά του ψυγείου σας, χρησιμοποιήστε χλιαρό νερό και κατόπιν σκουπίστε το για να στεγνώσει.
- ℹ Για να καθαρίσετε το εσωτερικό, χρησιμοποιήστε πανί που έχει υγρανθεί ελαφρά σε διάλυμα από μια κουταλιά του γλυκού μαγειρικής σόδας σε περίπου μισό λίτρο νερού. Κατόπιν σκουπίστε τις επιφάνειες για να στεγνώσουν.
- ⚠ Φροντίστε απαραίτητα να μην εισέλθει νερό στο περίβλημα της λάμπας και σε άλλα ηλεκτρικά εξαρτήματα.
- ⚠ Εάν το ψυγείο σας δεν πρόκειται να χρησιμοποιηθεί για μεγάλη χρονική περίοδο, αποσυνδέστε το καλώδιο ρεύματος από την πρίζα, αφαιρέστε όλα τα τρόφιμα, καθαρίστε το και αφήστε την πόρτα μισάνοιχτη.
- ℹ Ελέγχετε τακτικά τις στεγανοποιήσεις στις πόρτες για να βεβαιωθείτε ότι είναι καθαρές και απαλλαγμένες από σωματίδια τροφίμων.
- ⚠ Για να αφαιρέσετε ένα ράφι πόρτας, αφαιρέστε όλα τα περιεχόμενα και κατόπιν απλά σπρώξτε το ράφι προς τα πάνω ώστε να βγει από τη βάση του.

Προστασία των πλαστικών επιφανειών

- ℹ Μην τοποθετείτε υγρά λάδια ή φαγητά μαγειρεμένα σε λάδι στο ψυγείο σας σε μη σφραγισμένα δοχεία, επειδή προξενούν βλάβες στις πλαστικές επιφάνειες του ψυγείου σας. Σε περίπτωση που χυθεί ή αλειφτεί λάδι στις πλαστικές επιφάνειες, αμέσως καθαρίστε και ξεπλύνετε το επηρεαζόμενο μέρος της επιφάνειας με χλιαρό νερό.

7 Συνιστώμενες λύσεις για προβλήματα

Παρακαλούμε συμβουλευτείτε τη λίστα πριν καλέσετε το σέρβις. Έτσι μπορείτε να εξοικονομήσετε χρόνο και χρήματα. Η λίστα αυτή περιλαμβάνει συχνά παράπονα που δεν είναι αποτέλεσμα ελαττωμάτων της κατασκευής ή των χρησιμοποιούμενων υλικών. Ορισμένες από τις δυνατότητες που περιγράφονται εδώ ίσως να μην υπάρχουν στη συσκευή σας.

Το ψυγείο δεν λειτουργεί.
<ul style="list-style-type: none">• Έχει συνδεθεί το ψυγείο σωστά στο ρεύμα; Συνδέστε το φως στην πρίζα στον τοίχο.• Μήπως έχει καεί η ασφάλεια της πρίζας στην οποία έχει συνδεθεί το ψυγείο ή η γενική ασφάλεια; Ελέγξτε την ασφάλεια.
Συμπύκνωση στα πλευρικά τοιχώματα του χώρου συντήρησης (Πολλαπλή Ζώνη, Έλεγχος Ψύξης και Ευέλικτη Ζώνη).
<ul style="list-style-type: none">• Πολύ χαμηλές θερμοκρασίες περιβάλλοντος. Συχνό άνοιγμα και κλείσιμο της πόρτας. Πολύ υψηλή υγρασία περιβάλλοντος. Αποθήκευση τροφίμων που περιέχουν υγρά σε ανοικτά δοχεία. Η πόρτα έχει ξεχαστεί μισάνοιχτη. Ρύθμιση του θερμοστάτη σε χαμηλότερη θερμοκρασία.• Μείωση του χρόνου που μένει ανοικτή η πόρτα ή λιγότερο συχνή χρήση της.• Κάλυψη με κατάλληλο υλικό του φαγητού που φυλάσσεται σε ανοικτά δοχεία.• Σκουπίστε τη συμπυκνωμένη υγρασία με στεγνό πανί και ελέγξτε αν επιμένει.
Ο συμπιεστής δεν λειτουργεί
<ul style="list-style-type: none">• Το προστατευτικό θερμικό του συμπιεστή θα ενεργοποιηθεί σε περίπτωση ξαφνικών διακοπών ρεύματος ή αν η συσκευή αποσυνδεθεί και συνδεθεί γρήγορα στο ρεύμα, όταν η πίεση του ψυκτικού μέσου στο σύστημα ψύξης του ψυγείου δεν έχει εξισορροπηθεί ακόμα. Η λειτουργία του ψυγείου σας θα αρχίσει πάλι μετά από 6 λεπτά. Παρακαλούμε καλέστε το σέρβις αν το ψυγείο σας δεν ξεκινήσει στο τέλος αυτού του χρονικού διαστήματος.• Το ψυγείο βρίσκεται στον κύκλο απόψυξης. Αυτό είναι κανονικό για ψυγείο που δεν διαθέτει απόλυτα αυτόματη απόψυξη. Ο κύκλος απόψυξης λαμβάνει χώρα περιοδικά.• Το ψυγείο δεν έχει συνδεθεί στην πρίζα. Βεβαιωθείτε ότι το φως έχει τοποθετηθεί σωστά στην πρίζα.• Έχουν γίνει σωστά οι ρυθμίσεις θερμοκρασίας;• Μπορεί να έχει διακοπεί το ρεύμα.

Το ψυγείο ενεργοποιείται συχνά ή για πολλή ώρα.

- Η νέα σας συσκευή μπορεί να είναι πλατύτερη από την προηγούμενη. Αυτό είναι πολύ φυσιολογικό. Τα μεγάλα ψυγεία λειτουργούν για μεγαλύτερο χρονικό διάστημα.
- Η θερμοκρασία του περιβάλλοντος χώρου είναι πολύ υψηλή. Αυτό είναι πολύ φυσιολογικό.
- Το ψυγείο ίσως συνδέθηκε στην πρίζα πρόσφατα ή μπορεί να έχει φορτωθεί με πολλά τρόφιμα. Η πλήρης ψύξη του ψυγείου σας στη θερμοκρασία λειτουργίας μπορεί να διαρκέσει δύο ώρες επιπλέον.
- Μπορεί πρόσφατα να τοποθετήθηκαν στο ψυγείο μεγάλες ποσότητες ζεστού φαγητού.
- Το πολύ ζεστό φαγητό προκαλεί λειτουργία του ψυγείου για περισσότερη ώρα έως ότου φθάσει την επιθυμητή θερμοκρασία φύλαξης των τροφίμων.
- Ίσως να ανοίγονταν συχνά οι πόρτες ή να παρέμειναν μισάνοιχτες για μεγάλο χρονικό διάστημα. Ο θερμός αέρας που έχει εισέλθει στο ψυγείο προκαλεί τη λειτουργία του ψυγείου για μεγαλύτερες χρονικές περιόδους. Ανοίγετε τις πόρτες λιγότερο συχνά.
- Η πόρτα του χώρου κατάψυξης ή συντήρησης μπορεί να έχει ξεχαστεί μισάνοιχτη. Ελέγξτε αν οι πόρτες έχουν κλείσει καλά.
- Το ψυγείο έχει ρυθμιστεί σε πολύ χαμηλή θερμοκρασία. Ρυθμίστε τη θερμοκρασία του ψυγείου σε υψηλότερο επίπεδο και περιμένετε έως ότου επιτευχθεί αυτή η θερμοκρασία.
- Η στεγανοποίηση πόρτας της συντήρησης ή κατάψυξης μπορεί να είναι λερωμένη, φθαρμένη, σπασμένη ή δεν εφαρμόζει καλά. Καθαρίστε ή αντικαταστήστε τη στεγανοποίηση. Αν υπάρχει ζημιά/ σπάσιμο στη στεγανοποίηση της πόρτας, μπορεί να προκληθεί λειτουργία του ψυγείου για μεγαλύτερες περιόδους για να διατηρείται η τρέχουσα θερμοκρασία.

Η θερμοκρασία της κατάψυξης είναι πολύ χαμηλή ενώ η θερμοκρασία της συντήρησης είναι επαρκής.

- Η θερμοκρασία του χώρου κατάψυξης έχει ρυθμιστεί σε πολύ χαμηλό επίπεδο. Ρυθμίστε τη θερμοκρασία του χώρου κατάψυξης σε υψηλότερο επίπεδο και ελέγξτε.

Η θερμοκρασία της συντήρησης είναι πολύ χαμηλή ενώ η θερμοκρασία της κατάψυξης είναι επαρκής.

- Η θερμοκρασία του χώρου συντήρησης μπορεί να έχει ρυθμιστεί σε πολύ χαμηλό επίπεδο. Ρυθμίστε τη θερμοκρασία του χώρου συντήρησης σε υψηλότερο επίπεδο και ελέγξτε.

Τα τρόφιμα στα συρτάρια της συντήρησης παγώνουν.

- Η θερμοκρασία του χώρου συντήρησης μπορεί να έχει ρυθμιστεί σε πολύ χαμηλό επίπεδο. Ρυθμίστε τη θερμοκρασία του χώρου συντήρησης σε υψηλότερο επίπεδο και ελέγξτε.

Η θερμοκρασία στη συντήρηση ή την κατάψυξη είναι πολύ υψηλή.

- Η θερμοκρασία του χώρου συντήρησης μπορεί να έχει ρυθμιστεί σε πολύ υψηλό επίπεδο. Η ρύθμιση της συντήρησης έχει επίδραση στη θερμοκρασία της κατάψυξης. Αλλάξτε τη θερμοκρασία της συντήρησης ή κατάψυξης έως ότου η θερμοκρασία της συντήρησης ή κατάψυξης φθάσει σε επαρκές επίπεδο.
- Ίσως να ανοίγονταν συχνά οι πόρτες ή να παρέμειναν μισάνοιχτες για μεγάλο χρονικό διάστημα. Ανοίγετε τις λιγότερο συχνά.
- Μπορεί να έχει παραμείνει πόρτα μισάνοιχτη. Κλείστε την πόρτα τελείως.
- Μπορεί πρόσφατα να τοποθετήθηκε στο ψυγείο μεγάλη ποσότητα ζεστού φαγητού. Περιμένετε έως ότου η συντήρηση ή η κατάψυξη φθάσει στην επιθυμητή θερμοκρασία.
- Το ψυγείο μπορεί να έχει συνδεθεί στην πρίζα πρόσφατα. Η πλήρης ψύξη του ψυγείου απαιτεί χρόνο.

Ο θόρυβος λειτουργίας αυξάνεται όταν λειτουργεί το ψυγείο.
<ul style="list-style-type: none"> • Η απόδοση λειτουργίας του ψυγείου μπορεί να διαφέρει λόγω μεταβολών στη θερμοκρασία περιβάλλοντος. Το φαινόμενο είναι φυσιολογικό και δεν αποτελεί ένδειξη δυσλειτουργίας.
Κραδασμοί ή θόρυβος.
<ul style="list-style-type: none"> • Το δάπεδο δεν είναι ομαλό ή δεν είναι ανθεκτικό. Το ψυγείο ταλαντεύεται όταν μετακινηθεί ελαφρά. Βεβαιωθείτε ότι το δάπεδο είναι αρκετά ανθεκτικό να φέρει το βάρος του ψυγείου, και οριζόντιο. • Ο θόρυβος μπορεί να προκαλείται από αντικείμενα που έχουν τοποθετηθεί πάνω στο ψυγείο. Αυτά τα είδη πρέπει να απομακρυνθούν από πάνω από το ψυγείο.
Υπάρχουν θόρυβοι από το ψυγείο σαν ροής ή ψεκασμού υγρού.
<ul style="list-style-type: none"> • Η ροή υγρών και αερίων είναι σύμφωνη με την αρχή λειτουργίας του ψυγείου σας. Το φαινόμενο είναι φυσιολογικό και δεν αποτελεί ένδειξη δυσλειτουργίας.
Υπάρχει θόρυβος σαν ανέμου που φυσά.
<ul style="list-style-type: none"> • Χρησιμοποιούνται ανεμιστήρες για την ψύξη του ψυγείου. Το φαινόμενο είναι φυσιολογικό και δεν αποτελεί ένδειξη δυσλειτουργίας.
Συμπύκνωση στα εσωτερικά τοιχώματα του ψυγείου.
<ul style="list-style-type: none"> • Ο ζεστός και υγρός καιρός αυξάνει το σχηματισμό πάγου και συμπύκνωσης. Το φαινόμενο είναι φυσιολογικό και δεν αποτελεί ένδειξη δυσλειτουργίας. • Οι πόρτες μπορεί να έχουν παραμείνει μισάνοικτες. Βεβαιωθείτε ότι οι πόρτες είναι τελείως κλειστές. • Ίσως να ανοίγονταν συχνά οι πόρτες ή να παρέμειναν μισάνοικτες για μεγάλο χρονικό διάστημα. Ανοίγετέ τις λιγότερο συχνά.
Εμφανίζεται υγρασία στο εξωτερικό του ψυγείου ή ανάμεσα στις πόρτες.
<ul style="list-style-type: none"> • Ίσως να υπάρχει υγρασία στον αέρα. Αυτό είναι πολύ φυσιολογικό όταν ο καιρός είναι υγρός. Όταν η υγρασία είναι μικρότερη, η συμπύκνωση θα πάψει να εμφανίζεται.
Κακοσμία στο εσωτερικό του ψυγείου.
<ul style="list-style-type: none"> • Το εσωτερικό του ψυγείου πρέπει να καθαριστεί. Καθαρίστε το εσωτερικό του ψυγείου, με ένα σφουγγάρι, χλιαρό νερό ή διάλυμα μαγειρικής σόδας σε νερό. • Ίσως η οσμή να προκαλείται από ορισμένα δοχεία ή υλικά συσκευασίας. Χρησιμοποιήστε διαφορετικό δοχείο ή διαφορετική μάρκα υλικού συσκευασίας.
Η πόρτα δεν κλείνει.
<ul style="list-style-type: none"> • Συσκευασίες τροφίμων ίσως να εμποδίζουν το κλείσιμο της πόρτας. Μετατοπίστε τις συσκευασίες που εμποδίζουν την πόρτα. • Το ψυγείο πιθανόν να μην είναι εντελώς κατακόρυφο στο δάπεδο και μπορεί να ταλαντεύεται όταν σπρωχτεί ελαφρά. Ρυθμίστε τις βίδες ανύψωσης. • Το δάπεδο δεν είναι επίπεδο ή δεν είναι ανθεκτικό. Βεβαιωθείτε ότι το δάπεδο είναι οριζόντιο και ικανό να φέρει το βάρος του ψυγείου.
Τα συρτάρια λαχανικών έχουν κολλήσει.
<ul style="list-style-type: none"> • Τα τρόφιμα μπορεί να αγγίζουν την οροφή του συρταριού. Ανακαταθέμετε τα τρόφιμα στο συρτάρι.

Molimo prvo pročitajte ovaj priručnik!

Poštovani kupci,

Nadamo se da će vam naš proizvod, proizveden u suvremenim postrojenjima i provjeren po strogim procedurama kontrole kvalitete, pružiti učinkovit rad.

Zbog toga vam preporučujemo da pažljivo pročitate cijeli priručnik proizvoda prije uporabe te da ga čuvate na pristupačnom mjestu zbog buduće uporabe.




Ovaj priručnik

- Če vam pomoći da koristite svoj uređak brzo i sigurno.
- Pročitajte priručnik prije instaliranja i rada s vašim proizvodom.
- Slijedite upute, posebno one vezane za sigurnost.
- Čuvajte priručnik na lako dostupnom mjestu jer vam može zatrebati kasnije.
- Osim toga, također pročitajte druge dokumente dostavljene s vašim proizvodom.

Molimo imajte na umu da ovaj priručnik može vrijediti i za druge modele.

Simboli i njihovi opisi

Ovaj korisnički priručnik sadrži sljedeće simbole:

-  Važne informacije ili korisni savjeti za uporabu.
-  Upozorenja protiv opasnosti po život i imovinu.
-  Upozorenje protiv električnog napona.



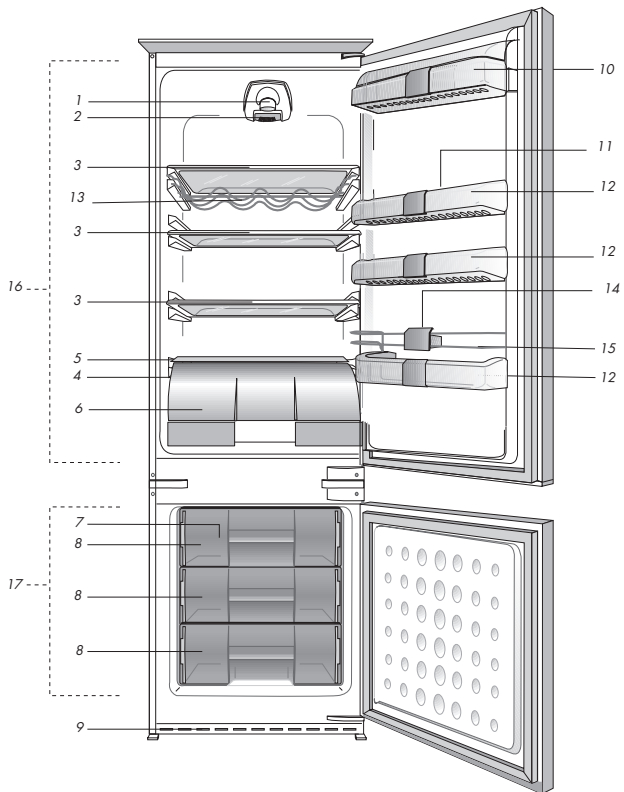
Ovaj proizvod nosi znak selektivnog razvrstavanja za električni i elektronski otpad (WEEE).

To znači da se ovim proizvodom mora rukovati prema Europskoj direktivi 2002/96/EC da bi se reciklirao ili razmontirao da bi se smanjio utjecaj na okoliš. Za daljnje informacije, molimo javite se lokalnim ili regionalnim vlastima.

Elektronski proizvodi koji nisu uključeni u postupak selektivnog razvrstavanja su potencionalno opasni za okoliš i ljudsko zdravlje zbog prisutnosti opasnih tvari.

1 Vaš hladnjak	3	4 Priprema	11
2 Važna sigurnosna upozorenja	4	5 Uporaba vašeg hladnjaka	14
Predviđena namjena	4	Tipka za postavljanje termostata.....	14
Za proizvode s raspršivačem za vodu;	6	Odmrzavanje	14
Sigurnost djece	6	Odjeljak s nultom temperaturom	15
Upozorenje za HCA	6	6 Održavanje i čišćenje	16
Stvari koje se trebaju uraditi za uštedu energije.....	7	Zaštita plastičnih površina	16
3 Instalacija	8	7 Preporučena rješenja za probleme	17
Stvari kojih se treba pridržavati kod ponovnog transporta vašeg hladnjaka	8		
Prije uključivanja vašeg hladnjaka.....	8		
Električno spajanje.....	9		
Odlaganje pakiranja	9		
Odlaganje stalnog hladnjaka	9		
Postavljanje i instalacija.....	9		
Zamjena unutarnje žarulje	10		

1 Vaš hladnjak



1. Unutarnje svjetlo
2. Tipka postavki temperature
3. Prilagodljive police
4. Kanal za skupljanje otopljene vode – crijevo za odvodnju
5. Poklopac odjeljka za povrće
6. Odjeljak 0 °C
7. Dio za led
8. Odjeljak škrinje
9. Zračni grill
10. Pretinac za mliječne proizvode
11. Polica za jaja
12. Prilagodljive police za vrata
13. Police za boce
14. Držač za boce
15. Žičana policica
16. Odjeljak hladnjaka
17. Odjeljak škrinje

Slike koje se nalaze u ovom priručniku su shematske i možda se ne ogovaraju u potpunosti vašem proizvodu. Ako dijelovi naslova nisu sadržani u proizvodu koji ste kupili, on vrijedi za ostale modele.

2 Važna sigurnosna upozorenja

Molimo pregledajte sljedeće informacije. Nepridržavanje ovih informacija može uzrokovati ozljede ili materijalnu štetu. U suprotnom će sva upozorenja i obveze za pouzdanost postati nevaljane.

Vijek uporabe kupljenog uređaja je 10 godina. Ovo je razdoblje potrebno za čuvanje rezervnih dijelova da bi uređaj radio kako je opisano.

Predviđena namjena

Ovaj je proizvod predviđen za uporabu

- u zatvorenom prostoru, npr. unutar kuće;
- u zatvorenim radnim okruženjima, kao što su trgovine i uredi;
- u zatvorenim prostorima za smještaj, kao što su kuće na farmama, hoteli, penzioni.
- Ovaj se proizvod ne smije se koristiti vani.

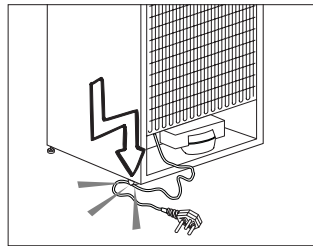
Opća sigurnost

- Kad budete željeli odložiti uređaj, preporučujemo da konzultirate ovlaštenu servis da biste saznali potrebne informacije i ovlaštena tijela.
- Konzultirajte se s ovlaštenim servisom za sva pitanja i probleme vezane za hladnjak. Nemojte intervenirati ili dopustiti da netko intervenira na hladnjaku bez prethodnog obavještanja ovlaštenih servisa.
- Za proizvode u odjeljku škrinje; Ne jedite kornete sladoleda i kockice leda odmah nakon vađenja kad ih izvadite iz odjeljka hladnjaka! (To može uzrokovati ozljede od hladnoće u vašim ustima.)

- Za proizvode s odjeljkom sa škrinjom; ne stavljajte tekućinu u bocama i konzervama u odjeljak škrinje. U suprotnom bi mogli puknuti.
- Ne dodirujte smrznutu hranu rukom; može vam se zalijepiti za ruku.
- Isključite svoj hladnjak prije čišćenja ili odmrzavanja.
- Para i raspršujuća sredstva za čišćenje se nikada ne smiju koristiti tijekom postupka čišćenja i odmrzavanja u vašem hladnjaku. U takvim slučajevima, para može doći u kontakt s električnim dijelovima i uzrokovati kratki spoj ili strujni udar.
- Nikada ne koristite dijelove vašeg hladnjaka, kao što su vrata, za pridržavanje ili za stajanje na njima.
- Ne koristite električne uređaje unutar hladnjaka.
- Ne oštećujte dijelove gdje cirkulira rashladno sredstvo pomoću alata za bušenje ili rezanje. Rashladno sredstvo koje može eksplodirati kad se plinski kanali isparivača, produžetka cijevi ili površinskih premaza probuše, može uzrokovati iritaciju kože i ozljede oka.
- Ne pokrivajte i ne blokirajte otvore za ventilaciju na vašem hladnjaku bilo kakvim materijalom.
- električne aparate smiju popravljati samo ovlaštene osobe. Popravke koje izvrše nestručne osobe mogu predstavljati rizik za korisnika.
- U slučaju bilo kakvog kvara tijekom održavanja ili popravke, otpojite hladnjak s napajanja ili isključivanjem odgovarajućeg osigurača ili isključivanjem vašeg uređaja iz struje.
- Kod isključivanja utikača, nemojte povlačiti za kabel.

- Stavite jača pića čvrsto zatvorena i uspravno.
- Nikada ne držite konzerve sa sprejevima koji sadrže zapaljive i eksplozivne tvari u hladnjaku.
- Ne koristite mehaničke uređaje ili druge načine za ubrzavanje procesa topljenja, osim onih koje preporuča proizvođač.
- Ovaj uređaj nije namijenjen uporabi od strane osoba s fizičkim osjetilnim ili mentalnim nedostacima ili osoba bez znanja ili iskustva (uključujući djecu), osim ako su pod nadzorom osobe koja će biti odgovorna za njihovu sigurnost ili koja će ih valjano uputiti o uporabi proizvoda.
- Ne uključujte oštećeni hladnjak. Konzultirajte se sa serviserom ako imate bilo kakvih nedoumica.
- Za električnu sigurnost vašeg hladnjaka se jamči samo ako je uzemljenje u vašoj kući u skladu sa standardima.
- Izlaganje proizvoda kiši, snijegu, suncu i vjetru je opasno u pogledu električne sigurnosti.
- Kad je oštećen kabel, javite se ovlaštenom servisu da izbjegnute opasnost.
- Nikada ne uključujte hladnjak u zidnu utičnicu tijekom instalacije. Inače može doći do opasnosti po život ili ozbiljne ozljede.
- Hladnjak je namijenjen samo držanju hrane. Ne smije se koristiti u bilo koje druge svrhe.
- Naljepnica s tehničkim specifikacijama se nalazi na lijevoj stijenci unutar hladnjaka.
- Nikada ne spajajte hladnjak na sustave za uštedu energije; oni mogu oštetiti hladnjak.

- Ako na hladnjaku postoji plavo svjetlo, nemojte gledati u plavo svjetlo optičkim alatima.
- Za hladnjake kojima se upravlja manualno, sačekajte bar 5 minuta da biste uključili hladnjak nakon nestanka el. energije.
- Ukoliko se uređaj da nekom drugom, korisnički priručnik se mora predati novom vlasniku.
- Pazite da ne oštetite kabel kod prijevoza hladnjaka. Presavijanje kabela može uzrokovati požar. Nikada ne stavljajte teške predmete na kabel napajanja. Ne dodirujte utikač mokrim rukama kad uključujete uređaj.



- Ne uključujte hladnjak ako je električna utičnica labava.
- Voda se ne smije špricati izravno na unutarnje ili vanjske dijelove proizvoda zbog sigurnosnih razloga.
- Nemojte špricati tvari koje sadrže zapaljive plinove kao što je propan blizu hladnjaka da biste izbjegli opasnost od požara i eksplozije.
- Nikada na hladnjak ne stavljajte posude s vodom, jer inače mogu uzrokovati električni udar ili požar.
- Nemojte prepuniti hladnjak s previše hrane. Ako se prepuni, hrana može pasti i ozlijediti vas kad otvorite vrata. Nikad ne stavljajte predmete na hladnjak, inače ti predmeti mogu pasti kad otvarate ili zatvarate vrata

hladnjaka.

- Proizvodi za koje je potrebna precizna kontrola temperature, cjepiva, lijekovi osjetljivi na toplinu, znanstveni materijali, itd. se ne smiju držati u hladnjaku.
- Ako se neće koristiti dulje vrijeme, hladnjak se treba isključiti. Mogući problem na kabelu napajanja može uzrokovati požar.
- Vrh utikača se treba redovito čistiti, u suprotnom može uzrokovati požar.
- Vrh čepa se treba čistiti redovito suhom krpom; u suprotnom, može izazvati požar.
- Hladnjak se može pomaknuti ako podesive noge nisu pravilno pričvršćena na podu. Pravilno pričvršćivanje podesivih nogu na podu može spriječiti pomicanje hladnjaka.
- Kad nosite hladnjak, nemojte ga držati za ručku vrata. U suprotnom, može puknuti.
- Kad morate staviti svoj proizvod pored drugog hladnjaka ili škrinje, udaljenost između uređaja treba biti najmanje 8 cm. U suprotnom, susjedne bočne stjenke se mogu navlažiti.

Za proizvode s raspršivačem za vodu;

Tlak vode treba biti najmanje 1 bar.

Tlak vode treba biti najviše 8 bara.

- Koristite samo pitku vodu.

Sigurnost djece

- Ako vrata imaju bravu, ključ se treba držati podalje od dosega djece.
- Djeca moraju biti pod nadzorom da bi se spriječilo neovlašteno korištenje proizvoda.

Upozorenje za HCA

Ako rashladni sustav vašeg uređaja sadrži R600a:

Ovaj plin je zapaljiv. Zato pazite da tijekom uporabe i transporta ne oštetite sustav za hlađenje i cijevi. U slučaju oštećenja, držite uređaj podalje od potencijalnog izvora plamena koji može dovesti do toga da uređaj zapali, te prozračujete sobu u kojoj se nalazi uređaj.

Ignorirajte ovo upozorenje ako rashladni sustav vašeg uređaja sadrži R134a.

Vrsta plina koja se koristi u proizvodu je navedena na tipskoj pločici koja je na lijevoj stijenci unutar hladnjaka.

Nikada kod odlaganja ne bacajte uređaj u vatru.

Stvari koje se trebaju uraditi za uštedu energije

- Ne ostavljajte vrata vašeg hladnjaka otvorena dulje vrijeme.
- Ne stavljajte toplu hranu ili pića u hladnjak.
- Nemojte prepuniti hladnjak tako da se ne sprječava cirkuliranja zraka u unutrašnjosti.
- Ne postavljajte vaš hladnjak izravno na sunčevu svjetlost ili blizu uređaja koji emitiraju toplinu kao što su pećnice, perilice suđa ili radijatori.
- Pazite da držite svoju hranu u zatvorenim posudama.
- Za uređaje s odjeljkom škrinje; možete spremiti maksimalnu količinu hrane u škrinju kad uklonite policu ili ladicu škrinje. Vrijednost potrošnje energije koja je navedena za vaš hladnjak je određena tako da je uklonjena polica ili ladica škrinje i pod maksimalnim opterećenjem. Ne postoji opasnost od uporabe police ili ladice prema oblicima i veličinama hrane koja će biti zamrznuta.
- Topljenje smrznute hrane u odjeljku hladnjaka će osigurati uštedu energije u sačuvati kvalitetu hrane.

3 Instalacija

⚠ Molimo imajte na umu da se proizvođač neće smatrati odgovornim ukoliko se ne budete pridržavali informacija navedenih u korisničkom priručniku.

Stvari kojih se treba pridržavati kod ponovnog transporta vašeg hladnjaka

1. Vaš hladnjak mora biti ispraznjen i očišćen prije bilo kakvog transporta.
2. Police, dodaci, odjeljak za povrće itd. u vašem hladnjaku moraju biti čvrsto pričvršćeni ljepljivom trakom zbog treskanja prije ponovnog pakiranja.
3. Pakiranje se mora pričvrstiti ljepljivom trakom i mora se pridržavati pravila o transportu ispisanih na pakiranju.

Molimo ne zaboravite...

Svaki reciklirani materijal je nezamjenjiv izvor za prirodu i za naše nacionalne izvore.

Ako želite pridonijeti reciklaži materijala pakiranja, možete dobiti dodatne informacije od ureda za okoliš ili lokalnih vlasti.

Prije uključivanja vašeg hladnjaka

Prije početka uporabe vašeg hladnjaka provjerite sljedeće:

1. Je li unutrašnjost hladnjaka suha i može li zrak slobodno cirkulirati sa stražnje strane?
2. Molimo, instalirajte dva plastična klina koja su prikazana na slici. Plastični klinovi će dati osigurati potrebnu udaljenost između vašeg hladnjaka i zida da bi se omogućilo cirkuliranje zraka. (Slika s ilustracijom je samo primjer i ne odgovara u potpunosti vašem proizvodu.)

3. Očistite unutrašnjost hladnjaka kako je preporučeno u dijelu "Čišćenje i održavanje".
 4. Uključite hladnjak u zidnu utičnicu. Kad su vrata hladnjaka otvorena, uključit će se unutrašnje svjetlo.
 5. Čut ćete buku kad kompresor počne raditi. Tekućine i plinovi zabrtvljeni u rashladnom sustavu također mogu stvarati buku, čak i kad kompresor ne radi i to je potpuno normalno.
 6. Prednji krajevi hladnjaka mogu biti topli na opip. To je normalno. Ova područja su napravljena da budu topla da bi se se izbjegla kondenzacija.
1. Je li unutrašnjost hladnjaka suha i može li zrak slobodno cirkulirati sa stražnje strane?
 2. Očistite unutrašnjost hladnjaka kako je preporučeno u dijelu "Čišćenje i održavanje".
 3. Uključite hladnjak u zidnu utičnicu. Kad su vrata hladnjaka otvorena, uključit će se unutrašnje svjetlo.
 4. Čut ćete buku kad kompresor počne raditi. Tekućine i plinovi zabrtvljeni u rashladnom sustavu također mogu stvarati buku, čak i kad kompresor ne radi i to je potpuno normalno.
 5. Prednji krajevi hladnjaka mogu biti topli na opip. To je normalno. Ova područja su napravljena da budu topla da bi se se izbjegla kondenzacija.

Električno spajanje

Spojite svoj proizvod u uzemljenu utičnicu koja je zaštićena osiguračem odgovarajućeg kapaciteta.

Važno:

- Spoj mora biti u skladu s nacionalnim zakonskim odredbama.
- Kabel napajanja mora biti lako dostupan nakon postavljanja.
- Navedeni napon mora biti jednak naponu el. energije.
- Produžni kabeli i razvodnici se ne smiju koristiti za spajanje.

⚠ Oštećeni kabel napajanja mora zamijeniti kvalificirani električar.

⚠ Proizvod ne smije raditi prije popravke! Postoji opasnost od električnog udara!

Odlaganje pakiranja

Materijali pakiranja mogu biti opasni za djecu. Čuvajte materijale pakiranja dalje od dohvata djece ili ih odložite svrstavanjem u skladu s uputama o odlaganju. Nemojte ih odlagati s normalnim otpadom iz kućanstva.

Pakiranje vašeg hladnjaka je proizvedeno od recikliranih materijala.

Odlaganje stalnog hladnjaka

Odložite svoj stari hladnjak bez štete za okoliš.

- O odlaganju vašeg hladnjaka se možete konzultirati s vašim ovlaštenim dobavljačem ili centrom za sakupljanje otpada u vašoj općini.

Prije odlaganja vašeg hladnjaka, odrežite električni utikač i, ukoliko postoje bilo kakve brave na vratima, onesposobite ih da biste zaštitili djecu od bilo kakve opasnosti.

Postavljanje i instalacija

⚠ Ako ulaz u prostoriju gdje će biti postavljen hladnjak nije dovoljno širok da hladnjak kroz njega prođe, pozovite ovlaštenu servis da skine vrata vašeg hladnjaka tako da kroz vrata prođe bočno.

1. Instalirajte vaš hladnjak na mjesto koje dopušta laku uporabu.
2. Držite vaš hladnjak podalje od izvora topline, vlažnih mjesta i direktne sunčeve svjetlosti.
3. Da bi se postigao učinkoviti rad, oko vašeg hladnjaka mora postojati odgovarajuća ventilacija. Ako se hladnjak treba postaviti u otvor u zidu, mora postojati udaljenost najmanje 5 cm od plafona i 5 cm od zida. Ako je pod prekriven tepihom, vaš uređaj mora biti podignut od poda 2.5 cm.
4. Stavite svoj hladnjak na ravnu površinu poda da biste spriječili udarce.
5. Ne držite svoj hladnjak na temperaturama nižim od 10°C.

Zamjena unutarnje žarulje

Ako svjetlo ne bude radilo, napravite sljedeće.

1- Isključite uređaj iz struje i izvucite utikač iz utičnice.

Zbog lakšeg pristupa, možete ukloniti police.

2- Pomoću odvijača s ravnim vrhom uklonite poklopac svjetla.

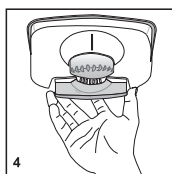
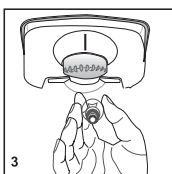
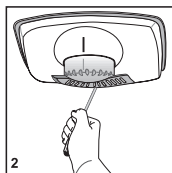
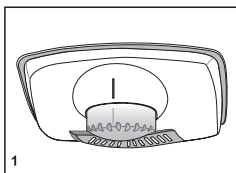
3- Prvo provjerite da se žarulja nije odvrnula i da je sigurno zavijena u grlo. Vratite utikač i uključite.

Ako žarulja radi, vratite poklopac stavljanjem stražnje kopče i guranjem da biste otkrili prednje dvije kopče.

4- Ako svjetlo ne gori, isključite aparat iz utičnice i izvucite utikač. Zamijenite žarulju novom žaruljom od 15 W (max) s grlom koje se zavija (SES).

5- Pažljivo odmah odložite pregorenu žarulju.

Zamjensku žarulju Možete lako naći u dobroj lokalnoj električnoj ili “uradi sam” trgovini.



4 Priprema

i Vaš hladnjak se treba postaviti najmanje 30 cm od izvora topline kao što su plamenici, pećnice, grijalice i štednjaci i najmanje 5 cm dalje od električnih pećnica te se ne smiju stavljati na direktnu sunčevu svjetlost.

i Pazite da se unutrašnjost vašeg hladnjaka temeljito čisti.

i Ako se dva hladnjaka trebaju instalirati jedan do drugog, između njih treba postojati razmak od najmanje 2 cm.

i Kada prvi put uključite hladnjak, molimo pridržavajte se sljedećih uputa tijekom prvih šest sati.

- Vrata se ne smiju često otvarati.

- Mora raditi prazan, bez ikakve hrane u njemu.

- Ne isključujte vaš hladnjak. Ako dođe do nestanka el. energije na koji ne možete utjecati, molimo pogledajte upozorenja u dijelu "Preporučena rješenja problema".

i Originalno pakiranje i materijali od pjene se trebaju čuvati zbog budućeg transporta ili selidbe.

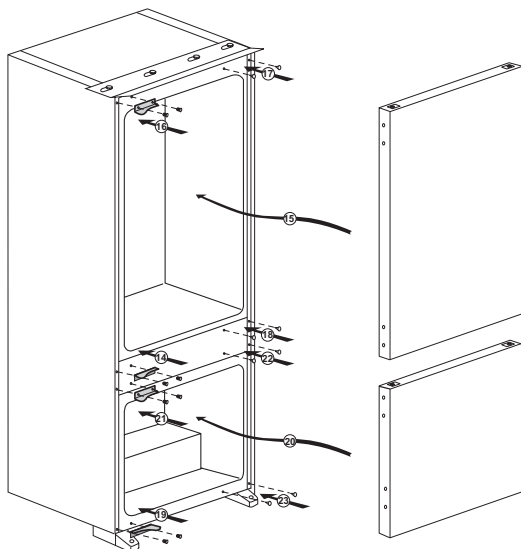
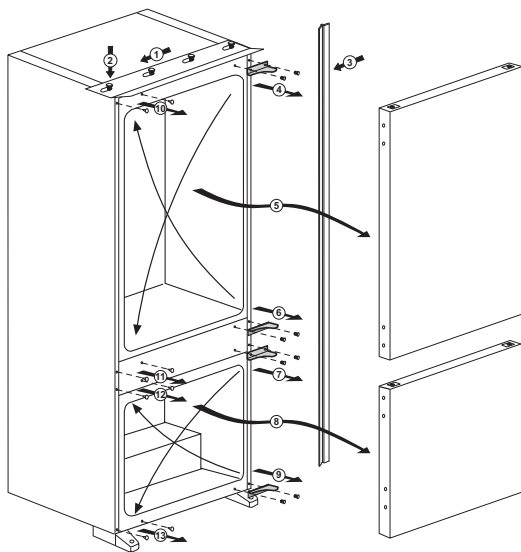
i Ovaj uređaj je napravljen da radi na temperaturama označenim u dolje navedenoj tablici te je opremljen Naprednim elektronskim sustavom za regulaciju topline [AETCS], koji osigurava da se na savjetovanoj postavci [4 - četiri na tipki] smrznuta hrana u zamrzivaču neće odmrznuti, čak i ako sobna temperatura padne i na - 15 °C. Kad se prvi put instalira, proizvod se NE smije staviti na hladnu temperaturu jer ju škrinja neće smanjiti na standardnu radnu temperaturu.

Kad postigne svoje stabilno radno stanje, može se preseliti. Tako da onda možete instalirati svoj uređaj u garaži ili negrijanoj sobi a da ne se brinete da će se smrznuta hrana u hladnjaku pokvariti. Međutim, na dolje spomenutim niskim sobnim temperaturama, sadržaji hladnjaka će se vjerojatno zamrznuti, te prema tome provjeravajte i konzumirajte hranu u hladnjaku. Kad se sobna temperatura vrati u normalu, možete promijeniti postavke tipke da odgovara vašim potrebama.

i Ako je sobna temperatura ispod 0°C, hrana u odjeljku hladnjaka će se zamrznuti. Zato ne preporučujemo da koristite odjeljak hladnjaka pri tako niskim sobnim temperaturama. Možete nastaviti kao i obično koristiti odjeljak škrinje.

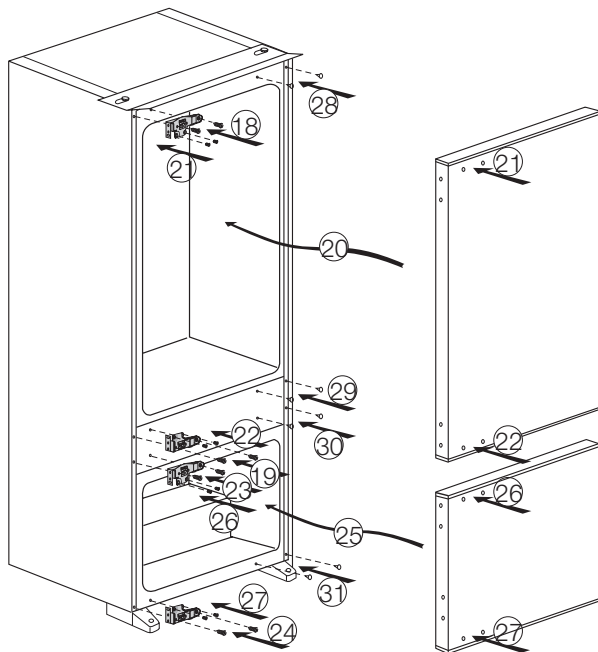
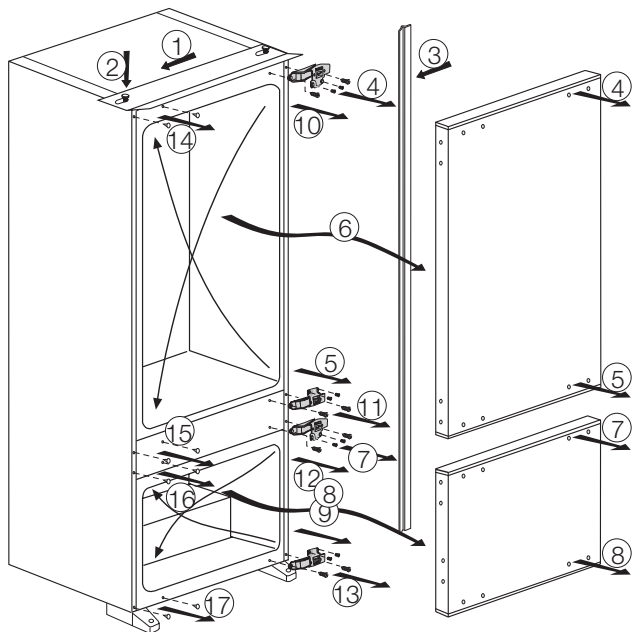
Mijenjanje smjera otvaranja vrata

Nastavite po rednim brojevima

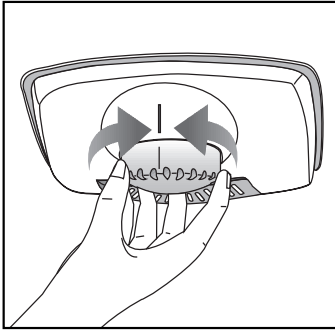


Mijenjanje smjera otvaranja vrata

Nastavite po rednim brojevima



5 Uporaba vašeg hladnjaka



Tipka za postavljanje termostata

Unutarnja temperatura vašeg hladnjaka se mijenja zbog sljedećih razloga:

- Temperatura godišnjih doba,
- Često otvaranje vrata i ostavljanje vrata otvorenim dulje vrijeme,
- Stavljanje hrane u hladnjak bez prethodnog hlađenja na sobnu temperaturu,
- Smještaj hladnjaka u sobi (npr. izlaganje sunčevoj svjetlosti).
- Zbog takvih razloga, pomoću termostata možete prilagoditi različite temperature unutrašnjosti. Brojevi oko tipki termostata označavaju razinu hladnoće.
- Ako je temperatura okoline viša od 32°C, okrenite tipku termostata na maksimalni položaj.
- Ako je temperatura okoline niža od 25°C, okrenite tipku termostata na minimalni položaj.

Odmrzavanje

A) Odjeljak za zamrzavanje

Odjeljak hladnjaka obavlja potpuno automatsko odmrzavanje, dok se vaš hladnjak hladi, na stražnjoj stijenci odjeljka hladnjaka se mogu pojaviti kapi vode i led do 7-8 mm. Takve nakupine su normalne zbog sustava za hlađenje. Nakupine leda se odmrzavaju obavljanjem automatskog odmrzavanja s određenim intervalima zahvaljujući sustavu za automatsko odmrzavanje na stražnjoj stijenci. Korisnik ne mora strugati led ili uklanjati kapljice vode.

Voda koja nastaje od otapanja prolazi iz žlijeba za nakupljanje vode i teče u isparivač kroz cijev za odlijevanje i tu sama isparava.

Redovito provjeravajte da biste vidjeli je li cijev za odljev začepljena i po potrebi je očistite štapom u rupi.

Odjeljak za brzo zamrzavanje ne obavlja automatsko odmrzavanje da bi se spriječilo propadanje zamrznute hrane.

B) Odjeljak za hlađenje

Odmrzavanje je vrlo jednostavno i uredno, zahvaljujući posebnoj posudi za skupljanje odmrznutog.

Odmrzavajte dva puta godišnje kad se skupi sloj leda od otprilike 7 mm. Da biste započeli s postupkom odleđivanja, isključite uređaj iz utičnice i povucite utikač van.

Svu hranu treba zamotati u nekoliko slojeva novinskog papira i staviti na hladno mjesto (npr. hladnjak ili ostavu).

Spremnike s toplom vodom možete pažljivo staviti u škrinju da biste ubrzali odmrzavanje.

Ne koristite oštre predmete kao što su noževi ili vilice da biste uklonili led.

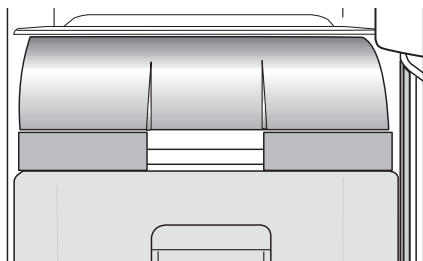
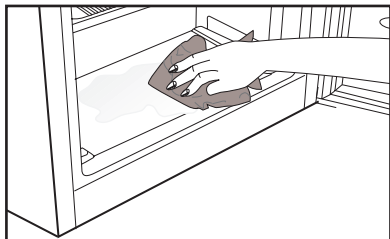
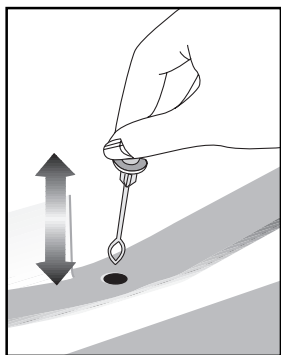
Nikada ne koristite fen, električne grijalice ili slične električne aparate za odmrzavanje.

Spužvom uklonite odmrznutu vodu sakupljenu na dnu odjeljak za zamrzavanje. Nakon odmrzavanja, dobro osušite unutrašnjost.

Umetnite utikač u utičnicu i uključite dovod energije.

Odjeljak s nultom temperaturom

Ovaj odjeljak je napravljen da čuva smrznutu hranu koja se treba sporo topiti (meso, riba, piletina, itd), po potrebi. Odjeljak s nultom temperaturom je najhladnije mjesto u vašem hladnjaku u kojem se mliječni proizvodi (sir, maslac), meso, riba ili piletina mogu čuvati u idealnim uvjetima skladištenja. Povrće i/ili voće se ne smije stavljati u ovaj odjeljak.



6 Održavanje i čišćenje

- ⚠ Nikada za čišćenje nemojte koristiti benzin ili slične materijale.
- ⚠ Savjetujemo da isključite uređaj iz struje prije čišćenja.
- ❗ Nikada za čišćenje nemojte koristiti oštre predmete ili abrazivne tvari, sapun, tekućinu za čišćenje kućanstva, deterdžent ili vosak za poliranje.
- ❗ Koristite mlaku vodu za čišćenje kutije hladnjaka i osušite ga krpom.
- ❗ Koristite ocijeđenu vlažnu krpu potopljenu u otopini jedne žličice sode bikarbone na pola litre vode da biste očistili unutrašnjost i osušite je krpom.
- ⚠ Pazite da voda ne uđe u kućište lampe i druge električne dijelove.
- ⚠ Ako se aparat neće koristiti dulje vrijeme, isključite ga, izvadite svu hranu, očistite ga i ostavite vrata otvorena.
- ❗ Provjeravajte brtve na vratima redovito da biste bili sigurni da su čisti i da na njima nema komadića hrane.
- ❗ Da biste skinuli police s vrata, izvadite sav sadržaj i tada jednostavno gurnite policu vrata gore iz osnove.

Zaštita plastičnih površina

- ❗ Ne stavljajte tekuće ulje ili jela kuhana na ulju u vaš hladnjak u nezatvorenim posudama jer oni mogu oštetiti plastične površine hladnjaka. U slučaju proljevanja ili razmazivanja ulja na plastičnim površinama, odmah očistite i isperite odgovarajuće dijelove površine toplom vodom.

7 Preporučena rješenja za probleme

Molimo provjerite popis prije zvanja servisa. To vam može uštedjeti vrijeme i novac. Popis sadrži česte reklamacije koje nisu posljedica oštećenja u proizvodnji ili uporabi. Neke od opisanih mogućnosti možda ne postoje na vašem proizvodu.

Hladnjak ne radi
<ul style="list-style-type: none">• Je li hladnjak pravilno uključen na napajanje? Uključite utikač u utičnicu u zidu.• Je li pregorio osigurač utičnice na koju je priključen vaš hladnjak? Provjerite osigurač.
kondenzacija na bočnoj stjenci odjeljka hladnjaka. (MULTI ZONA, UPRAVLJANJE HLAĐENJEM i FLEKSI ZONA)
<ul style="list-style-type: none">• Jako hladna okolina. Često otvaranje i zatvaranje vrata. Jako vlažna okolina. Čuvanje hrane koja sadrži tekućinu u otvorenim posudama. Ostavljanje vrata odškrinutim.• Prebacivanje termostata na hladniji stupanj.• Smanjivanje vremena kad su vrata otvorena ili rjeđa uporaba.• Prekrivanje hrane spremljene u otvorenim posudama odgovarajućim materijalom.• Obrišite kondenzat pomoću suhe krpe i provjerite ukoliko se i dalje javlja.
Kompresor ne radi
<ul style="list-style-type: none">• Zaštitni termički dio kompresora će pregoriti tijekom naglih nestanaka el. energije ili isključivanja priključaka jer tlak rashladnog sredstva u sustavu za hlađenje hladnjaka nije jooš izbalansiran.• Vaš hladnjak će početi s radom otprilike nakon 6 minuta. Molimo nazovite servis ako se vaš hladnjak ne uključi na kraju ovog razdoblja.• Hladnjak je u ciklusu odmrzavanja. To je normalno za hladnjak s potpuno automatskim odmrzavanjem. Ciklus za odmrzavanje se događa periodički.• Vaš hladnjak nije uključen u utičnicu. Pazite da je utikač dobro utaknut u zidnu utičnicu.• Je li temperatura pravilno postavljena? Došlo je do nestanka struje. Zovite vašeg dobavljača el.energije.

Hladnjak radi često ili dugo trajno.

- Vaš novi hladnjak je možda širi od prethodnog. To je u potpunosti normalno. Veći hladnjaci rade dulje.
- Sobna temperatura je možda visoka. To je potpuno normalno.
- Hladnjak je možda nedavno priključen na el.energiju ili je možda napunjen hranom. Potpuno hlađenje hladnjaka može trajati nekoliko sati dulje.
- Možda su nedavno u hladnjak stavljene velike količine tople hrane. Topla hrana uzrokuje dulji rad hladnjaka dok ne dostigne sigurnu temperaturu za čuvanje.
- Vrata su možda često otvarana ili ostavljena odškrinuta dulje vrijeme. Topli zrak koji je ušao u hladnjak uzrokuje da hladnjak radi dulje vrijeme. Rjeđe otvarajte vrata.
- Vrata škrinje ili hladnjaka su možda bila odškrinuta. Provjerite jesu li vrata čvrsto zatvorena.
- Hladnjak je postavljen na vrlo nisku temperaturu. Prilagodite temperaturu hladnjaka na topliju razinu dok se ne postigne temperatura.
- Brtva vrata hladnjaka ili škrinje može biti prijava, pohabana, oštećena ili nije dobro sjela. Očistite ili zamijenite brtvu. Oštećena/pokidana brtva uzrokuje dulji rad hladnjaka da bi se održala trenutna temperatura.

Temperatura hladnjaka je vrlo niska dok je temperatura frižidera dovoljna.

- Temperatura hladnjaka je postavljena na vrlo nisku temperaturu. Prilagodite temperaturu hladnjaka na topliji stupanj i provjerite.

Temperatura frižidera je vrlo niska dok je temperatura hladnjaka dovoljna.

- Temperatura hladnjaka je postavljena na vrlo nisku temperaturu. Prilagodite temperaturu hladnjaka na topliji stupanj i provjerite.

Hrana koja se čuva i ladicama hladnjaka se smrzava.

- Temperatura hladnjaka je postavljena na vrlo nisku temperaturu. Prilagodite temperaturu hladnjaka na topliji stupanj i provjerite.

Temperatura u hladnjaku ili škrinji je previsoka.

- Temperatura hladnjaka je postavljena na vrlo visoku temperaturu. Prilagođavanje hladnjaka ima utjecaja na temperaturu škrinje. Mijenjajte temperaturu hladnjaka ili škrinje dok temperatura hladnjaka ili škrinje ne dosegne dovoljnu razinu.
- Možda su vrata odškrinuta. Zatvorite vrata do kraja.
- Možda su nedavno u hladnjak stavljene velike količine tople hrane. Čekajte dok hladnjak ili škrinja ne dosegnu željenu temperaturu.
- Hladnjak je možda uključen nedavno. Potpuno hlađenje hladnjaka može potrajati zbog veličine.

Iz hladnjaka dolazi buka slična sekundama oja se čuje iz analognog sata.

- Ova buka dolazi iz elektromagnetskog ventila hladnjaka. Elektromagnetski ventil služi osiguravanju prolaska rashladnog sredstva kroz odjeljak koji se može prilagoditi temperaturama hlađenja ili zamrzavanja i obavljanja funkcija hlađenja. to je normalno i nije uzrok kvara.

Buka tijekom rada se povećava kad hladnjak radi.
<ul style="list-style-type: none"> • Radne performanse hladnjaka se mogu promijeniti ovisno o promjenama sobne temperature. To je normalno i ne predstavlja kvar.
Vibracije ili buka.
<ul style="list-style-type: none"> • Pod nije ravan ili je slab. Hladnjak se njiše kad se polako pomiče. Pazite da je pod ravan, jak i da može nositi hladnjak. • Buka može biti uzrokovana predmetima koji se nalaze na hladnjaku. Takvi predmeti se moraju ukloniti s hladnjaka.
Čuje se buka poput proljevanja tekućine ili špricanja.
<ul style="list-style-type: none"> • Protok tekućine i plinova se događa u skladu s radnim principima vašeg hladnjaka. To je normalno i ne predstavlja kvar.
Čuje se buka poput puhanja vjetra.
<ul style="list-style-type: none"> • Aktivatori zraka (ventilatori) se koriste da bi se hladnjak učinkovito hladio. To je normalno i ne predstavlja kvar.
Kondenzacija na unutarnjim stjenkama hladnjaka.
<ul style="list-style-type: none"> • Toplo i vlažno vrijeme povećava nastanak leda i kondenziranje. To je normalno i ne predstavlja kvar. • Vrata su odškrinuta. Pazite da su vrata zatvorena do kraja. • Vrata su možda često otvarana ili su dulje vrijeme bila otvorena. Rjeđe otvarajte vrata.
Vlaga se pojavljuje na vanjskom dijelu hladnjaka ili između vrata.
<ul style="list-style-type: none"> • Možda je vlažno vrijeme. To je potpuno normalno kod vlažnog vremena. Kad je vlažnost manja, kondenzat će nestati.
Neugodan miris unutar hladnjaka.
<ul style="list-style-type: none"> • Mora se očistiti unutrašnjost hladnjaka. Očistite unutrašnjost hladnjaka spužvom, toplom ili gaziranom vodom. • Neugodan miris možda uzrokuju neke posude ili materijali pakiranja. Koristite neku drugu posudu ili drugačiju marku materijala za pakiranje.
Vrata se ne zatvaraju.
<ul style="list-style-type: none"> • Paketi hrane možda sprječavaju zatvaranje vrata. Uklonite pakete hrane koji smetaju vratima. • Hladnjak vjerojatno nije potpuno okomit prema podu i možda se njiše kad se lagano pomiče. Prilagodite vijke za podizanje. • Pod nije ravan ili jak. Pazite da je pod ravan i da može nositi hladnjak.
Odjeljci za voće i povrće su zaglavljani.
<ul style="list-style-type: none"> • Hrana možda dodiruje vrh ladice. Presložite hranu u ladicu.

48 7785 0003/AH
1/4

en-de-fr-da-file

48 7785 0003/AH
2/4

fin-no-sv-zh-slovak

48 7785 0003/AH
3/4
cz-rus-pt-lit-el

48 7785 0003/AH
4/4
hr

Free Manuals Download Website

<http://myh66.com>

<http://usermanuals.us>

<http://www.somanuals.com>

<http://www.4manuals.cc>

<http://www.manual-lib.com>

<http://www.404manual.com>

<http://www.luxmanual.com>

<http://aubethermostatmanual.com>

Golf course search by state

<http://golfingnear.com>

Email search by domain

<http://emailbydomain.com>

Auto manuals search

<http://auto.somanuals.com>

TV manuals search

<http://tv.somanuals.com>