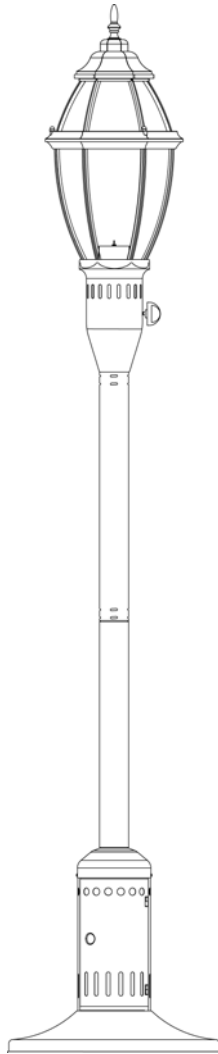


Outdoor LP Gas Light

Model No. GTL7179SP




 **WARNING**
FOR YOUR SAFETY:

For Outdoor Use Only
(outside any enclosure)

 **WARNING**
FOR YOUR SAFETY:

If you smell gas -

1. Shut off gas to appliance.
2. Extinguish any open flame.
3. If odor continues, immediately call your gas supplier.

 **WARNING**
FOR YOUR SAFETY:

- ▲ If the information in this manual is not followed exactly, a fire or explosion may result causing property damage, personal injury or loss of life.
- ▲ Do not store or use gasoline or other flammable vapors and liquids in the vicinity of this or any other appliance.
- ▲ Improper installation, adjustment, alteration, service or maintenance can cause injury or property damage.
- ▲ Read the installation, operation, and maintenance instructions thoroughly before installing or servicing this equipment.
- ▲ Save these instructions for future reference. If you are assembling this unit for someone else, give this manual to him or her to read and save for future reference.

Table of Contents

Dangers and Warnings	Page 2
Exploded View & Hardware	3
Assembly Instructions	4
installing LP Gas Tank	6
Operating Instructions	6
Checking for Leaks	6
Lighting	6
Turning Off	6
Cleaning and Care	7
Inspecting	7
Cleaning	7
Storage	7
Product Registration	7
Limited Warranty	7
Troubleshooting	8

The use and installation of this product must conform to local codes. In absence of local codes, use the latest edition of the *National Fuel Gas Code, ANSI Z223.1/NFPA 54, CAN/CGA-B149.1, Natural Gas and Propane Installation Code.*

For installation in Canada - these instructions, while generally acceptable do not necessarily comply with the Canadian installation codes, particularly with piping above and below ground. In Canada the installation of this appliance must comply with local codes and/or standard CAN/CGA B149.1 (installation code for propane burning appliances and equipment).

California Proposition 65: Chemicals known to the State of California to cause cancer, birth defects, or other reproductive harm are created by the combustion of propane.

Manufactured in China for:
Blue Rhino Global Sourcing, LLC
Winston-Salem, NC USA
1.800.762.1142, www.bluerhino.com



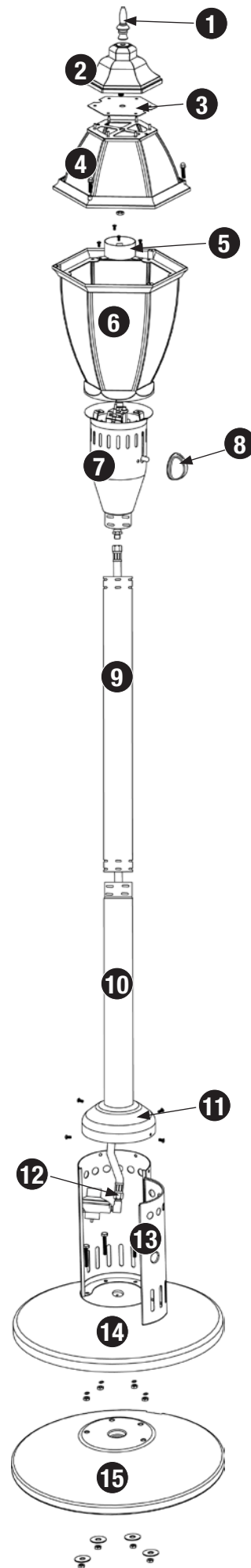
DANGERS and WARNINGS: FOR YOUR SAFETY

- ▲ **DANGER:** Failure to follow the dangers, warning and cautions in this manual may result in serious bodily injury or death, or in a fire or an explosion causing damage to property.
-
- ▲ **WARNING:**
 - ▲ This appliance is for outdoor use only, and shall NOT be used in a building, garage, or any other enclosed area.
 - ▲ Do NOT operate, light or use this appliance within 8 feet of walls, structures or buildings.
 - ▲ Do NOT use this outdoor gas light for indoor heating. TOXIC carbon monoxide fumes can accumulate and cause asphyxiation.
 - ▲ This outdoor gas light is NOT for commercial use.
 - ▲ This outdoor gas light is for use with liquid propane (LP) gas only. The conversion to or attempted use of natural gas in this LP gas light is dangerous and will void your warranty.
 - ▲ LP gas Characteristics:
 - a. LP gas is flammable and hazardous if handled improperly. Become aware of the characteristics before using any LP gas product.
 - b. LP gas is explosive under pressure, heavier than air, and settles and pools in low areas.
 - c. LP gas in its natural state has no odor. For your safety, an odorant is added that smells like rotten cabbage.
 - d. Contact with LP gas can cause freeze burns to skin.
 - ▲ LP gas tank needed to operate. Only tanks marked "propane" may be used.
 - a. The LP gas supply tank must be constructed and marked in accordance with the *Specifications for LP gas LP gas tanks of the U.S. Department of Transportation (DOT) or the National Standard of Canada, CAN/CSA-B339, LP gas tanks, Spheres and Tubes for the Transportation of Dangerous Goods; and Commission.*
 - b. LP gas tank must be arranged for vapor withdrawal.
 - c. The LP gas tank must have a listed overfilling prevention device (OPD) and a QCCI or Type I (CGA810) LP gas tank connection.
 - d. Never use an LP gas tank with a damaged body, valve, collar, or footing.
 - e. Dented or rusted LP gas tanks may be hazardous and should be checked by your LP gas supplier prior to use.
 - f. The LP gas tank should not be dropped or handled roughly.
 - g. Tanks must be stored outdoors out of the reach of children and must not be stored in a building, garage, or any other enclosed area. Your LP gas tank must never be stored where temperatures can reach over 125°F.
 - h. Never keep a filled LP gas tank in a hot car or car trunk. Heat will cause the gas pressure to increase, which may open the relief valve and allow gas to escape.
 - i. Place dust cap on valve outlet whenever the LP gas tank is not in use. Only install the type of dust cap on the LP gas tank valve outlet that is provided with the LP gas tank valve. Other types of caps or plugs may result in leakage of propane.
 - j. Do not store a spare LP gas tank under or near this appliance.
 - k. Never fill the tank
 - ▲ Your outdoor gas light has been checked at all factory connections for leaks. Recheck all connections, as movement in shipping can loosen connections.
 - ▲ Check for leaks even if your unit was assembled for you by someone else.
 - ▲ Do not operate if gas leak is present. Gas leaks may cause a fire or explosion.
 - ▲ You must follow all leak-checking procedures before operating. To prevent fire or explosion hazard when testing for a leak:
 - a. Always perform leak test before lighting the gas light and each time the tank is connected for use.
 - b. No smoking. Do not use or permit sources of ignition in the area while conducting a leak test.
 - c. Conduct the leak test outdoors in a well-ventilated area.
 - d. Do not use matches, lighters, or a flame to check for leaks.
 - e. Do not use outdoor gas light until any and all leaks are corrected. If you are unable to stop a leak, disconnect the LP gas supply. Call a gas appliance serviceman or your local LP gas supplier.
 - ▲ Do not store or use gasoline or other flammable liquids or vapors within 25 feet (7.62 m) of this appliance.
 - ▲ Do not use in an explosive atmosphere. Keep outdoor gas light area clear and free from combustible materials, gasoline and other flammable vapors and liquids.
 - ▲ This outdoor gas light is NOT to be operated by children.
 - ▲ This outdoor gas light is NOT to be used in or on boats or recreational vehicles.
 - ▲ Always use in accordance with all applicable local, state and national codes. Contact your local fire department for details on outdoor burning.
 - ▲ When using this outdoor gas light, exercise the same precautions you would with any open fire.
 - ▲ The use of alcohol, prescription or non-prescription drugs may impair the consumer's ability to properly assemble or safely operate this outdoor gas light.
 - ▲ Do NOT use this outdoor gas light without reading the entire "Owner's Manual".
 - ▲ Do NOT burn solid fuels such as: wood, charcoal briquets, lump charcoal, manufactured logs, driftwood, trash, leaves, paper, cardboard, plywood, painted or stained or pressure treated wood in this outdoor gas light.
 - ▲ It is essential to keep the outdoor gas light's valve compartment, burners, and circulating air passages clean. Inspect outdoor gas light before each use.
 - ▲ Do NOT alter this outdoor gas light in any manner.
 - ▲ Do NOT use this outdoor gas light until it is COMPLETELY assembled and all parts are securely fastened and tightened.
 - ▲ Do NOT store or use gasoline or other flammable vapors or liquids in the vicinity of this or any other appliance.
 - ▲ Do NOT store another LP gas LP gas tank within 10 feet (3.05 m) of this outdoor gas light while it is in operation.
 - ▲ Do NOT use this outdoor gas light near automobiles, trucks, vans or recreational vehicles.
 - ▲ Do NOT use this outdoor gas light under any overhead or near any unprotected combustible constructions. Avoid using near or under overhanging trees and shrubs.
 - ▲ Always use this outdoor gas light on a hard, level non-combustible surface such as concrete, rock or stone. An asphalt or blacktop surface may not be acceptable for this purpose.
 - ▲ Do NOT use this outdoor gas light if any part has been under water. Immediately call a qualified service technician to inspect the appliance and to replace any part or control system and any gas control which has been under water.
 - ▲ Do NOT wear flammable or loose clothing when operating this outdoor gas light.
 - ▲ Do not hang clothing or other flammable materials either on or near gas light.
 - ▲ Do NOT use in windy conditions.
 - ▲ Unit will operate at reduced efficiency below 40°F (5°C).
 - ▲ Any guard or other protective device removed for servicing the outdoor gas light must be replaced prior to operating the gas light.
 - ▲ Failure to not wait 5 minutes to allow the gas to clear if the gas light does not light, may result in an explosive flame-up.
 - ▲ Be careful when attempting to manually ignite this gas light. Holding in the control knob for more than 10 seconds before igniting the gas will cause a ball of flame upon ignition.
 - ▲ Keep all electrical cords away from a hot outdoor gas light.
 - ▲ Certain areas of this outdoor gas light when in use will become too hot to touch. To avoid burns, do not touch hot surfaces until the unit has cooled unless you are wearing protective gear (insulated pot holder or heat resistant gloves or mittens).
 - ▲ Do NOT leave a lit outdoor gas light unattended, especially around children and pets.
 - ▲ Do NOT attempt to move or store this outdoor gas light until all parts are cool.
 - ▲ Do NOT lean over this outdoor gas light when lighting or when in use.
 - ▲ This outdoor gas light should be thoroughly cleaned and inspected on a regular basis. Clean and inspect the hose before each use of the appliance. If there is evidence of abrasion, wear, cuts, or leaks, the hose must be replaced prior to the appliance being put into operation.
 - ▲ Use only the regulator and hose assembly provided. The replacement regulator and hose assembly shall be that specified by the manufacturer.
 - ▲ Use only Blue Rhino Global Sourcing, LLC factory authorized parts. The use of any part that is NOT factory authorized can be dangerous and will void your warranty.
 - ▲ Storage of this outdoor gas light indoors is permissible only if the tank is disconnected, removed from the outdoor gas light and properly stored outdoors.
 - ▲ Do not attempt to disconnect the gas regulator from the tank or any gas fitting while the outdoor gas light is in use.
 - ▲ If the outdoor gas light is not in use, the gas must be turned off at the supply tank.

Parts List

- 1 Finial
- 2 Top Cap
- 3 Insect Guard
- 4 Top Cap Assembly
- 5 Pilot Shield
- 6 Bottom Lid Assembly
- 7 Engine Assembly
- 8 Control Knob
- 9 Top Pole
- 10 Bottom Pole
- 11 Shroud Cover
- 12 Regulator/Hose Assembly
- 13 Shroud
- 14 Base
- 15 Weight Plate

Exploded View

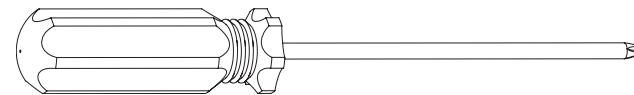


Hardware

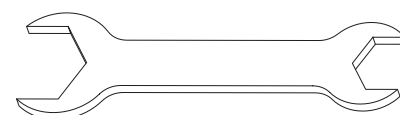
A	Screw	3/16 in. x 1/2 in. Black Nickel Plated Phillips Truss Head	4 pcs
B	Bolt	5/32 in. x 1 1/5 in. Black Nickel Plated	3 pcs
C	Bolt	1/4 in. x 1 4/5 in. Nickel Plated Hex Head	4 pcs
D	Nut	1/4 in. Nickel Plated	8 pcs
E	Washer	ø7 Nickel Plated	4 pcs
F	Lock Washer	ø6 Nickel Plated	4 pcs

Tools Required for Assembly (Included)

#2 Phillips Head Screwdriver



7/16" Wrench



Assembly Instructions

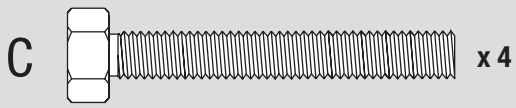
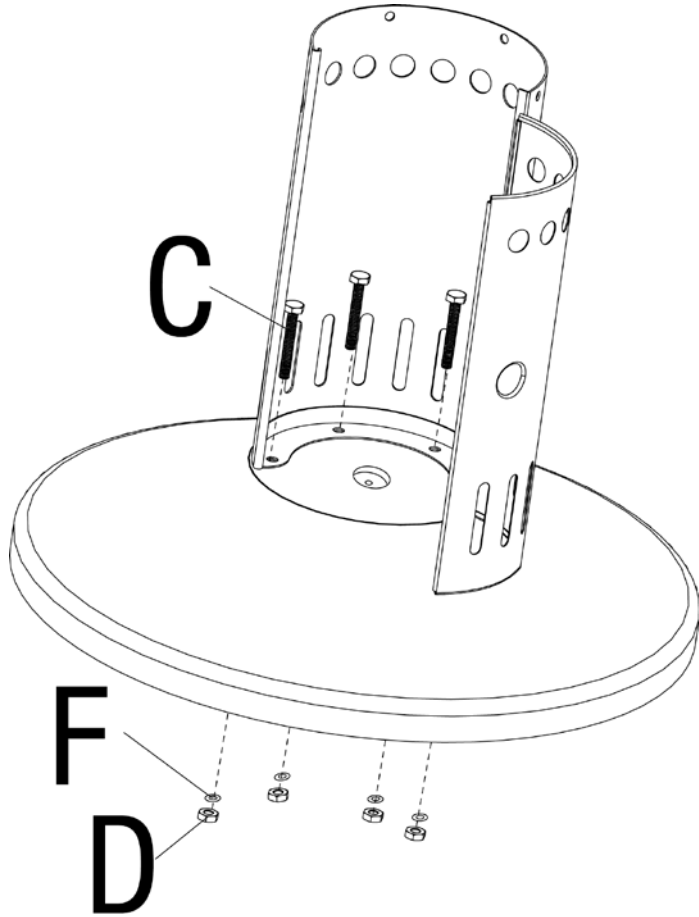
DO NOT RETURN PRODUCT TO STORE.

For assistance call **1.800.762.1142** toll free. Please have your owner's manual and serial number available for reference.

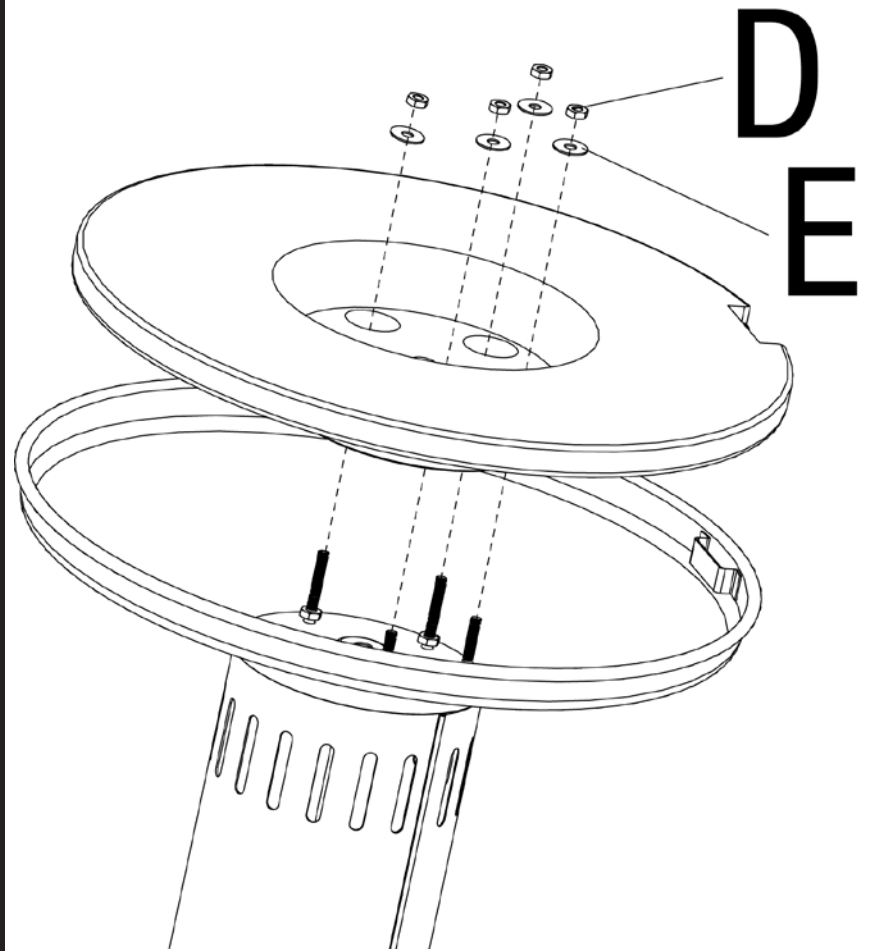
For Easiest Assembly:

- To avoid losing any small components or hardware, assemble your product on a hard level surface that does not have cracks or openings.

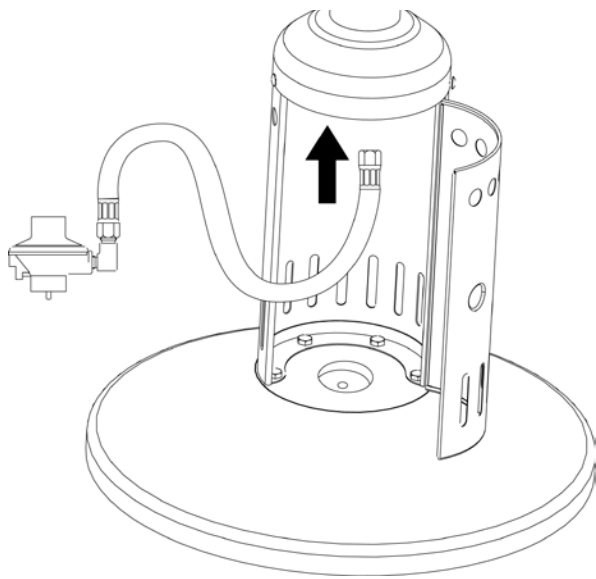
1 Attach Shroud



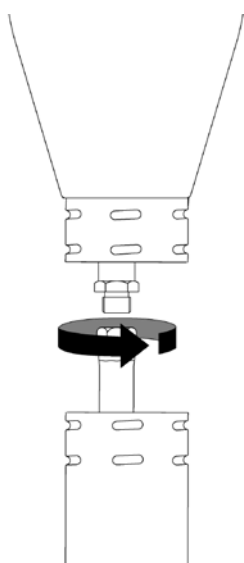
2 Attach Weight Plate



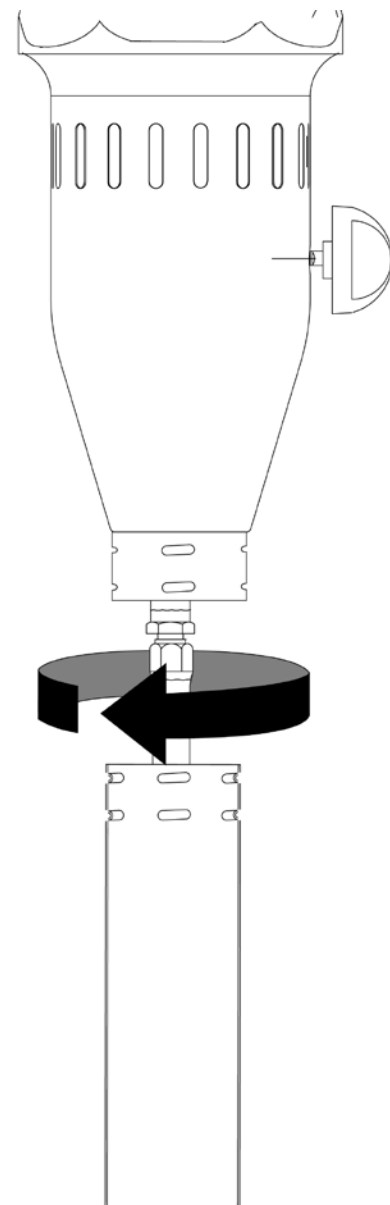
5 Insert Regulator/Hose Assembly



Attach Regulator/Hose Assembly



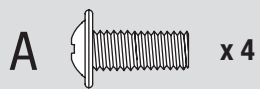
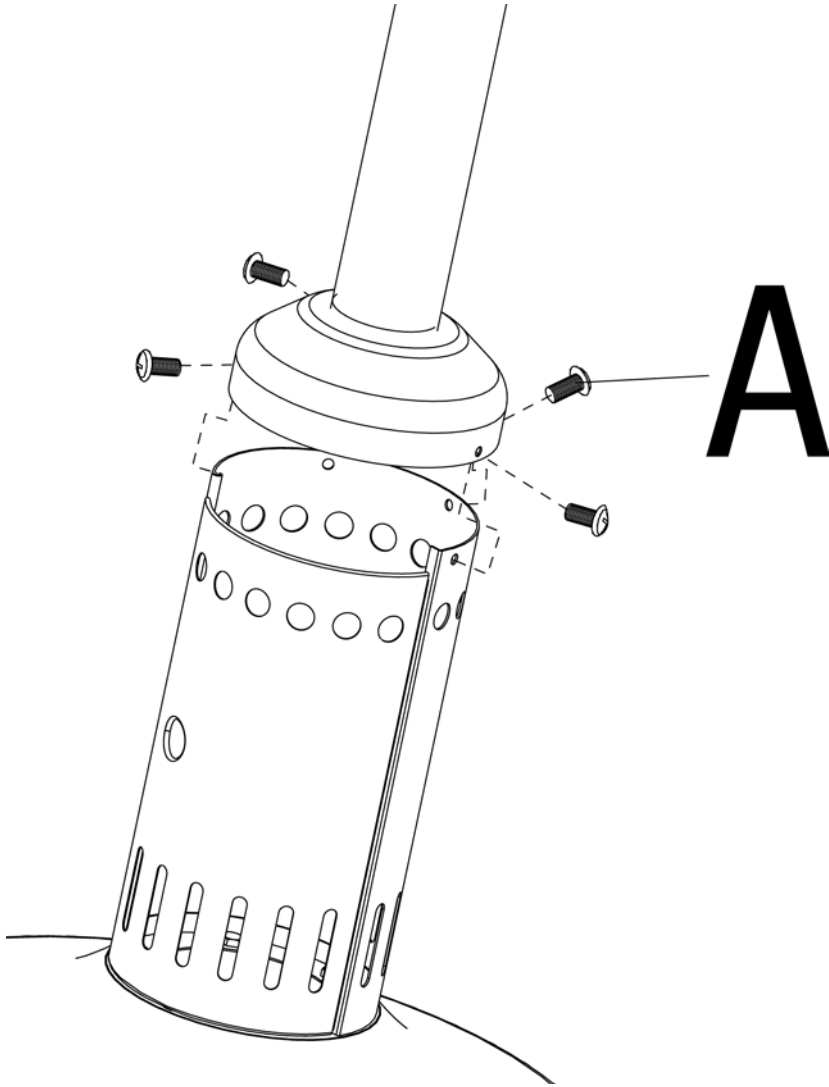
6 Attach Engine Assembly



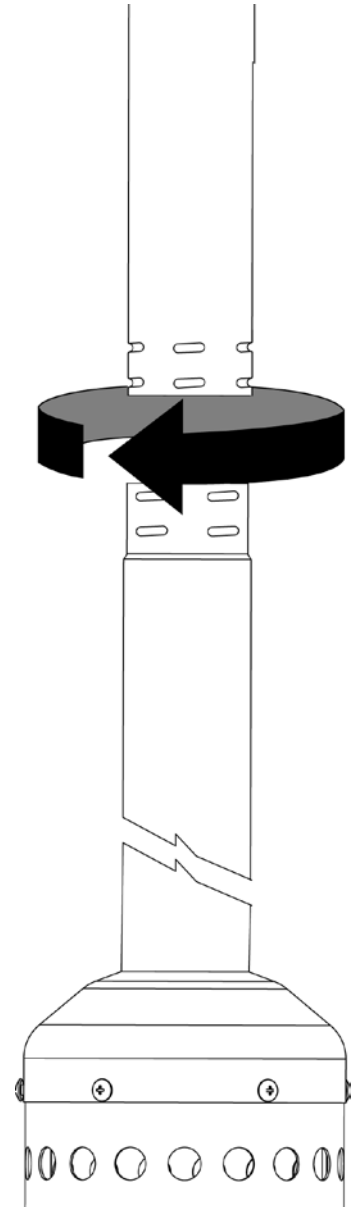
- Clear an area large enough to layout all components and hardware.
- When applicable, tighten all hardware connections by hand first. Once the step is completed, go back and fully tighten all hardware.

- Follow all steps in order to properly assemble your product.

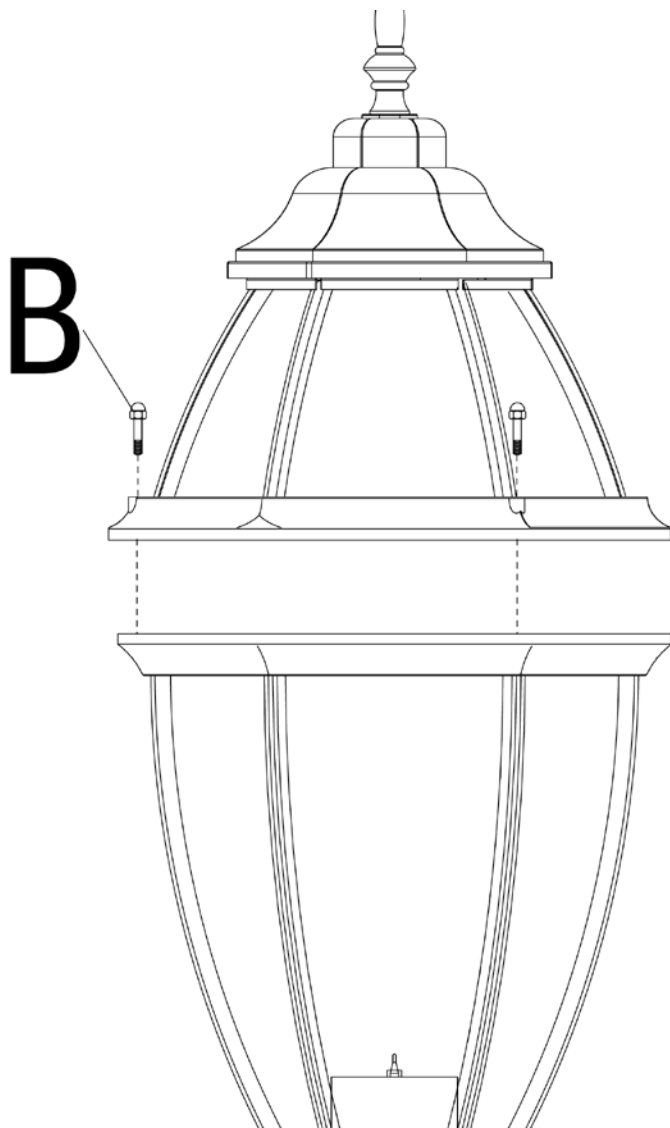
3 Attach Bottom Pole Assembly



4 Attach Top Pole



7 Attach Top Assembly

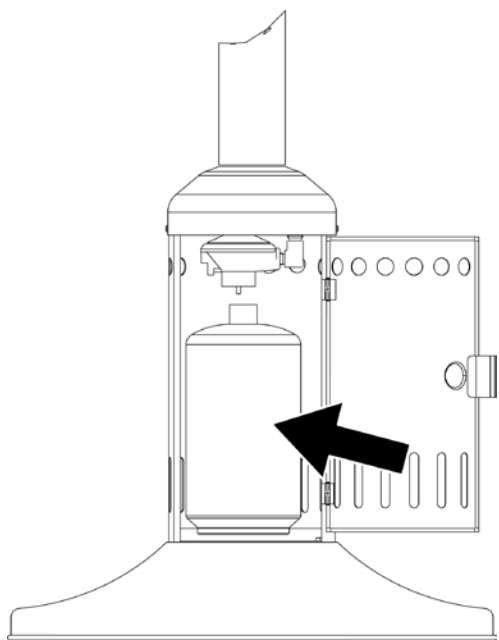


Installing LP Gas Tank

To operate you will need (1) 14.1 oz or (1) 16.4 oz LP gas tank.

Insert LP Gas Tank

Place precision filled LP gas tank upright into hole in outdoor gas light body so it is arranged for vapor withdrawal.

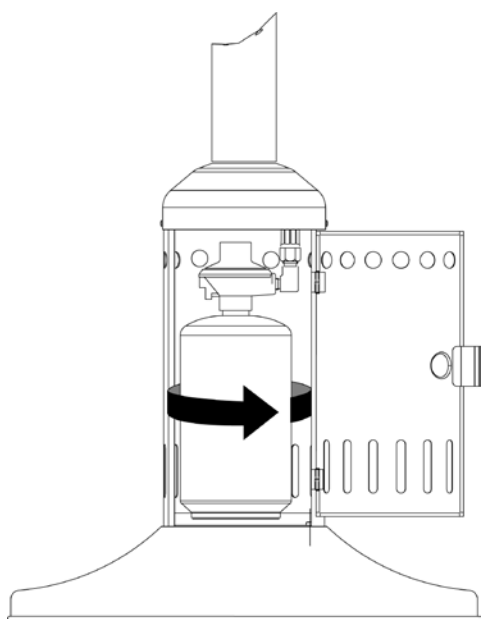


Connect LP Gas Tank

WARNING: Only cylinders marked "propane" may be used.

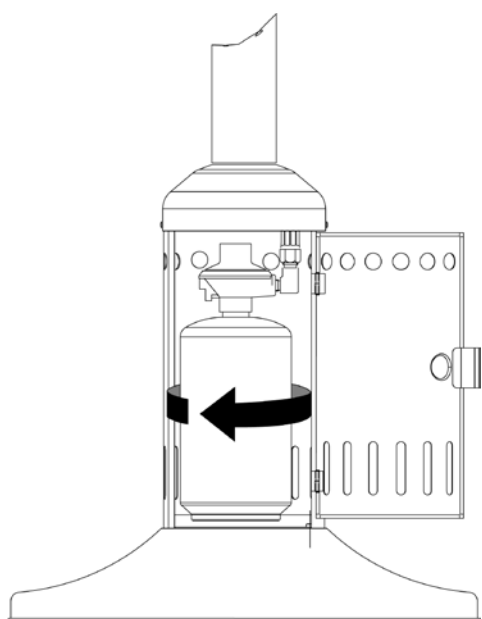
Note: Some 14.1 oz or 16.4 oz LP gas tanks may form frost when near empty.

Line up threads on LP gas tank with those on regulator, insert and rotate LP gas tank clockwise until they fit snugly together. **HAND TIGHTEN ONLY.** Be careful not to cross threads when screwing in LP gas tank.



Disconnect LP Gas Tank

Rotate LP gas tank counterclockwise until the LP gas tank comes off.



Operating Instructions

Checking for Leaks

WARNING: Before using this Outdoor Light, make sure you have read, understand and are following all information provided in the Dangers and Warnings presented on page 2. Failure to follow those instructions can cause death, serious injury or property damage.

Burner Connections

Make sure the regulator valve and hose connections are securely fastened to the burner and the tank.

If your unit was assembled for you, visually check the connection between the burner pipe and orifice. Make sure the burner pipe fits over the orifice.

WARNING: Failure to inspect this connection or follow these instructions could cause a fire or an explosion which can cause death, serious bodily injury, or damage to property.

Please refer to diagram for proper installation.

If the burner pipe does not rest flush to the orifice, please contact 1.800.762.1142 for assistance.

Tank/Gas Line Connection

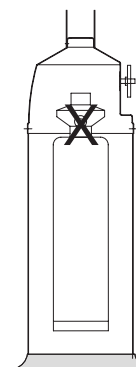
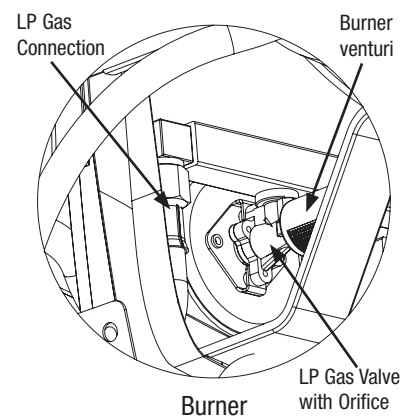
Make 2-3 oz. of leak solution by mixing one part liquid dishwashing soap with three parts water.

Make sure control knob is OFF.

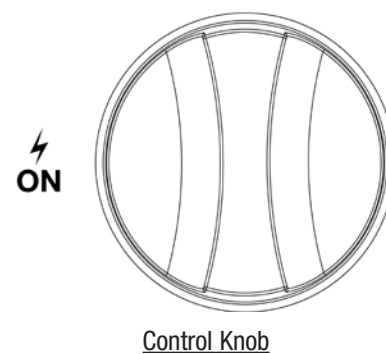
Attach the LP gas tank.

Spoon leak check solution at all "x" locations

If no bubbles appear after one minute turn control knob to "OFF", wipe away solution and proceed.



OFF



Lighting

1. Make sure there are no obstructions of airflow to the gas unit. Spiders and insects can nest within and clog the burner / venturi tube at the orifice. A clogged burner tube can lead to a fire beneath the appliance.
2. Control knob must be in the "OFF" position.
3. Attach the LP gas tank.
4. Push in control knob and rotate to "ON" position. This will activate the built-in ignitor and light the burner. If necessary, keep depressing and rotating knob until burner lights.
5. If ignition does not occur in 5 seconds, turn burner control knob to "OFF", wait 5 minutes, and repeat lighting procedure.
6. Once the burner is lit, hold control knob in for 30 seconds.
7. If burner does not stay lit, turn to "OFF" position and wait 5 minutes and repeat lighting procedure.

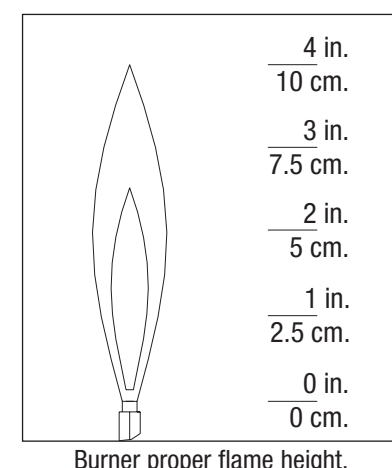
8. After lighting, observe the burner flame and flame height matches illustration.

CAUTION: If burner flame goes out during operation, immediately turn the gas "OFF" and open top cap to let the gas clear for about 5 minutes before re-lighting.

Turning Off

1. Remove the LP gas tank.
2. Once the flame goes out, turn the control knob clockwise to "OFF" position.
3. Properly store LP gas tank.

Note: May take up to 5 minutes for flame to extinguish.



Burner proper flame height.

Cleaning and Care

Inspecting

This outdoor light should be inspected on a regular basis to ensure product safety and longer product life.

▲ WARNING: Do NOT attempt to inspect this outdoor light until the fire is COMPLETELY out.

1. Check venturi to make sure it is clear and free of spider nests.
2. Check all gas connections for leaks.
3. Check ignition system to insure proper sparking.
4. Check components for any signs of damage or rust.
5. If damage to any component is detected, do NOT operate until repairs are executed.

Cleaning

This outdoor light should be cleaned on a regular basis to promote safer experiences and longer product life.

Note: After repeated use, a slight discoloration of the finishes may occur.

▲ WARNING: Do NOT attempt to clean this outdoor light unless the fire is COMPLETELY out and unit is cool to the touch.

▲ WARNING: Do NOT use oven cleaner or abrasive cleaners as they will damage this product.

1. Wipe exterior surfaces with a mild dishwashing detergent or baking soda.
2. Rinse clean with water.
3. Glass can be cleaned with glass cleaner.

Storage

▲ WARNING: Do NOT move or store this outdoor light unless the fire is COMPLETELY out and is cool to the touch.

1. Remove the LP gas tank.
2. Once the flame goes out, turn the control knob clockwise to the "OFF" position.

Note: May take up to 5 minutes for flame to extinguish.

3. Cover outdoor light with a durable vinyl cover designed to fit this unit.
4. Store in a cool and dry location away from children and pets.

Product Registration

For faster warranty service, please register your product immediately at www.bluerhino.com or call 1.800.762.1142.

Limited Warranty

Blue Rhino Global Sourcing, LLC ("Vendor") warrants to the original retail purchaser of this product, and to no other person, that if this product is assembled and operated in accordance with the printed instructions accompanying it, then for a period of one (1) year from the date of purchase, all parts in such product shall be free from defects in material and workmanship. Vendor may require reasonable proof of your date of purchase. Therefore, you should retain your sales slip or invoice. This Limited Warranty shall be limited to the repair or replacement of parts, which prove defective under normal use and service and which Vendor shall determine in its reasonable discretion upon examination to be defective. Before returning any parts, you should contact Vendor's Customer Service Department using the contact information listed below. If Vendor confirms, after examination, a defect covered by this Limited Warranty in any returned part, and if Vendor approves the claim, Vendor will replace such defective part without charge. If you return defective parts, transportation charges must be prepaid by you. Vendor will return replacement parts to the original retail purchaser, freight or postage prepaid.

This Limited Warranty does not cover any failures or operating difficulties due to accident, abuse, misuse, alteration, misapplication, improper installation or improper maintenance or service by you or any third party, or failure to perform normal and routine maintenance on the product as set out in this owner's manual. In addition, the Limited Warranty does not cover damage to the finish, such as scratches, dents, discoloration, rust or other weather damage, after purchase.

This Limited Warranty is in lieu of all other express warranties. Vendor disclaims all warranties for products that are purchased from sellers other than authorized retailers or distributors, including the warranty of merchantability or the warranty of fitness for a particular purpose. VENDOR ALSO DISCLAIMS AND ANY ALL IMPLIED WARRANTIES, INCLUDING WITHOUT LIMITATION THE IMPLIED WARRANTIES OF MERCHANTABILITY AND FITNESS FOR A PARTICULAR PURPOSE. VENDOR SHALL NO LIABILITY TO PURCHASER OR ANY THIRD PARTY FOR ANY SPECIAL, INDIRECT, PUNITIVE, INCIDENTAL, OR CONSEQUENTIAL DAMAGES. Vendor further disclaims any implied or express warranty of, and assumes no responsibility for, defects in workmanship caused by third parties.

This Limited Warranty gives the purchaser specific legal rights; a purchaser may have other rights depending upon where he or she lives. Some jurisdictions do not allow the exclusion or limitation of special, incidental or consequential damages, or limitations on how long a warranty lasts, so the above exclusion and limitations may not apply to everyone.

Vendor does not authorize any person or company to assume for it any other obligation or liability in connection with the sale, installation, use, removal, return, or replacement of its equipment, and no such representations are binding on Vendor.

Blue Rhino Global Sourcing, LLC
Winston-Salem, North Carolina USA
(800) 762-1142

Troubleshooting

Problem	Possible Cause	Prevention/Cure
Burner will not light using igniter	Electrode and burners are wet.	Wipe dry with cloth.
	Electrode cracked or broken - sparks at crack.	Replace electrode.
	Wire loose or disconnected.	Reconnect wire or replace electrode/wire assembly
	Wire is shorting (sparking) between igniter and electrode.	Replace igniter wire/electrode assembly
	Bad igniter.	Replace igniter
	No gas flow.	Check if LP gas tank is empty. If LP gas tank is not empty, refer to "Sudden drop in gas flow (reduced flame height). If empty, replace.
	Coupling nut and regulator not fully connected.	Turning the coupling nut about one-half to three quarters additional turn until solid stop. Tighten by hand only-do not use tools.
	Obstruction of gas flow.	Clear burner tubes. Check for bent or kinked hose.
	Disengagement of burner to valve.	Reengage burner and valve.
	Spider webs or insect nest in venturi. Burner ports clogged or blocked.	Clean venturi. Clean burner ports.
Sudden drop in gas flow or reduced flame height	Out of gas.	Check for gas in the LP gas tank
Irregular flame pattern	Burner ports are clogged or blocked.	Clean burner ports.
Flame blow out	Low on LP Gas	Replace LP gas tank
	Excess flow valve tripped	Refer to "Sudden drop in gas flow"
Flame seems to lose heat when burning in cold weather - temperature below 50°F	Ice has built up on the outside of the LP gas tank because the vaporization process is too slow.	Turn OFF the control knob and the LP gas tank. Replace with a spare LP gas tank and resume burning. Store a spare LP gas tank in a well ventilated area away from children.

If problems can not be corrected by using these methods, please contact 1.800.762.1142 for assistance.

Free Manuals Download Website

<http://myh66.com>

<http://usermanuals.us>

<http://www.somanuals.com>

<http://www.4manuals.cc>

<http://www.manual-lib.com>

<http://www.404manual.com>

<http://www.luxmanual.com>

<http://aubethermostatmanual.com>

Golf course search by state

<http://golfingnear.com>

Email search by domain

<http://emailbydomain.com>

Auto manuals search

<http://auto.somanuals.com>

TV manuals search

<http://tv.somanuals.com>