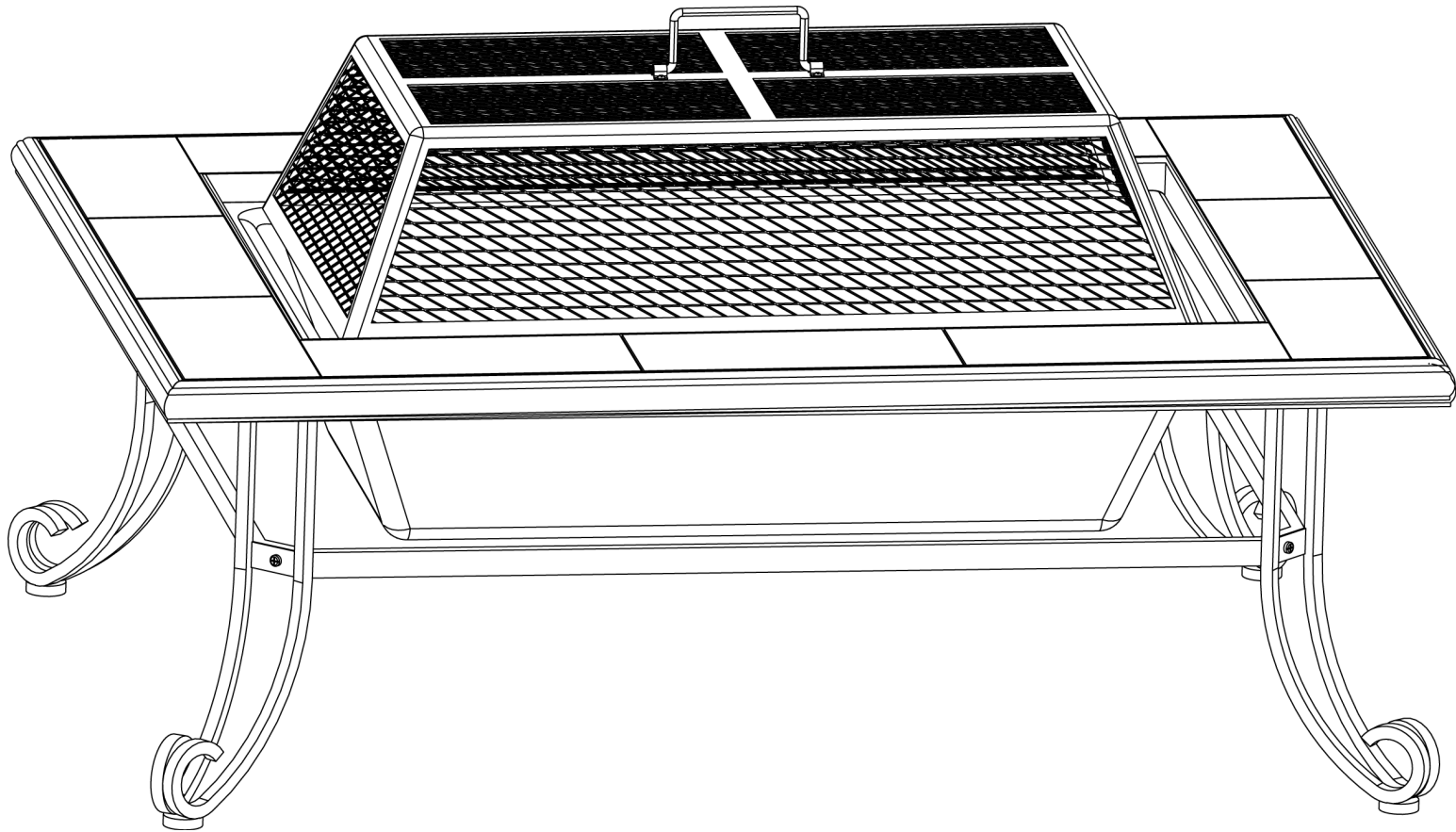


Outdoor Fireplace

Model No. WAD794SPA



 **WARNING**
FOR YOUR SAFETY:
For Outdoor Use Only
 (outside any enclosure)

 **WARNING**
FOR YOUR SAFETY:

1. **Improper installation, adjustment, alteration, service or maintenance can cause injury or property damage.**
2. **Read the installation, operation, and maintenance instructions thoroughly before installing or servicing this equipment.**
3. **Failure to follow these instructions could result in fire or explosion, which could cause property damage, personal injury, or death.**

Save these instructions for future reference. If you are assembling this unit for someone else, give this manual to him or her to read and save for future reference.

Table of Contents	
Important Safeguards	Page 2
Exploded View & Hardware	3
Assembly Instructions	4
Operating Instructions	5
Lighting	5
Tending the Fire	5
Extinguishing	5
Cleaning and Care	5
Inspecting	5
Cleaning	5
Storing	5
Product Registration	6
Limited Warranty	6

Manufactured in China for:
 Blue Rhino Global Sourcing, Inc.
 Winston-Salem, NC USA
 1.800.762.1142, www.bluerhino.com

© 2007 Blue Rhino Global Sourcing, Inc. All Rights Reserved
 UniFlame® is a Registered Trademark of Blue Rhino Global Sourcing, Inc. All Rights Reserved



▲ DANGER: Failure to follow the dangers, warning and cautions in this manual may result in serious bodily injury or death, or in a fire or an explosion causing damage to property.

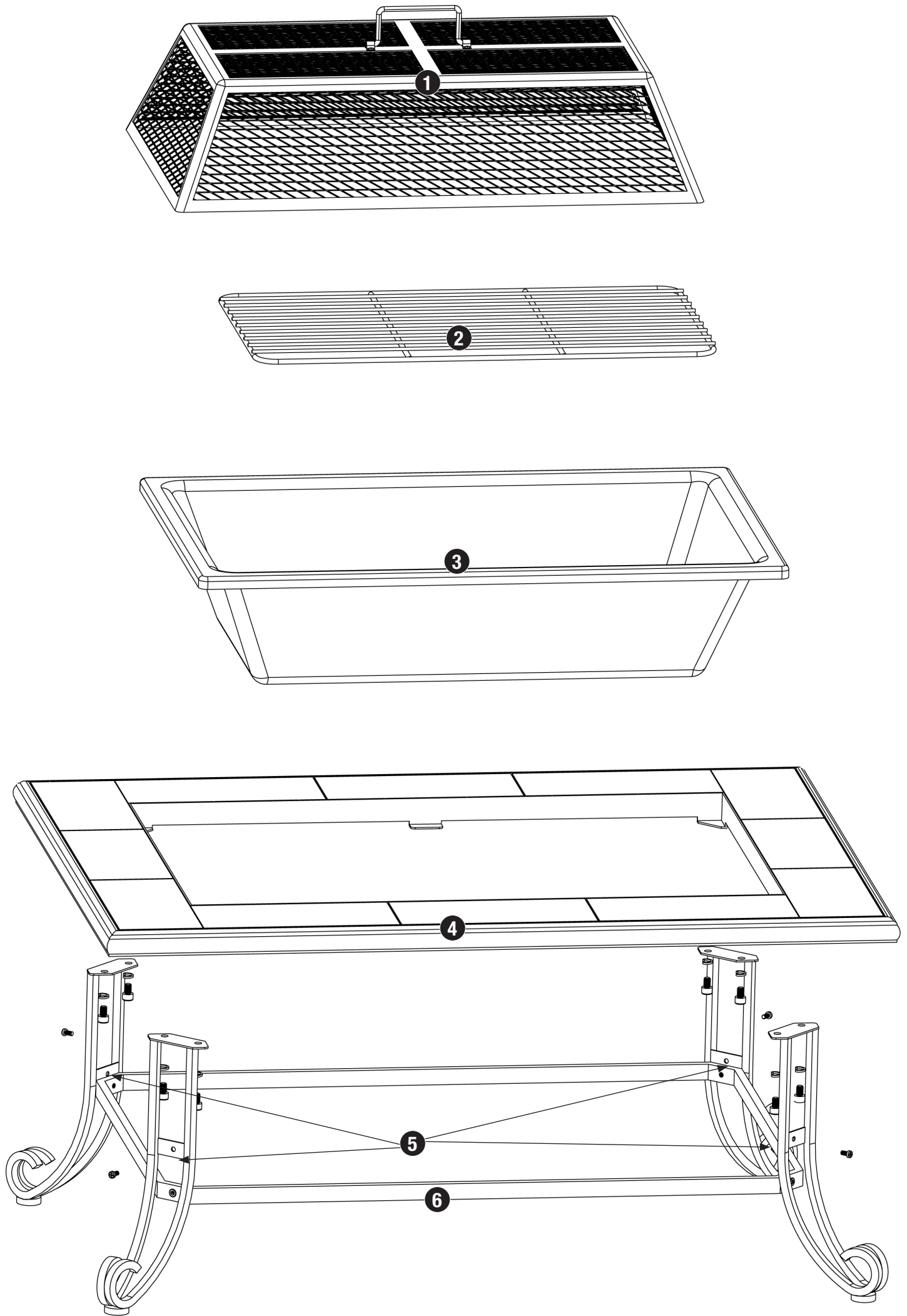
▲ WARNING:

- ▲ This appliance is for outdoor use only, and shall NOT be used in a building, garage, or any other enclosed area.
- ▲ Do NOT use this outdoor fireplace for indoor heating. TOXIC carbon monoxide fumes can accumulate and cause asphyxiation.
- ▲ This outdoor fireplace is NOT for commercial use.
- ▲ This outdoor fireplace is NOT to be operated by children.
- ▲ This outdoor fireplace is NOT to be used in or on boats or recreational vehicles.
- ▲ Always use in accordance with all applicable local, state and national codes. Contact your local fire department for details on outdoor burning.
- ▲ When using this outdoor fireplace, exercise the same precautions you would with any open fire.
- ▲ The use of alcohol, prescription or non-prescription drugs may impair the consumer's ability to properly assemble or safely operate this outdoor fireplace.
- ▲ Do NOT use this outdoor fireplace without reading the entire "Owner's Manual".
- ▲ This outdoor fireplace is for use with dry, seasoned hardwood. It will burn hotter, more completely and create less smoke.
- ▲ Do NOT burn charcoal briquets, lump charcoal, driftwood, trash, leaves, paper, cardboard, plywood, painted or stained or pressure treated wood. Avoid using softwoods such as pine or cedar that can throw sparks.
- ▲ Do NOT alter this outdoor fireplace in any manner.
- ▲ Do NOT use this outdoor fireplace until it is COMPLETELY assembled and all parts are securely fastened and tightened.
- ▲ Do NOT store or use gasoline or other flammable vapors or liquids in the vicinity of this or any other appliance.
- ▲ Do NOT store or use an LP gas cylinder within 10 feet (3.05 m) of this outdoor fireplace while it is in operation.
- ▲ Do NOT use this outdoor fireplace near automobiles, trucks, vans or recreational vehicles.
- ▲ Do NOT use in an explosive atmosphere. Keep outdoor fireplace area clear and free from combustible materials, gasoline and other flammable liquids.
- ▲ Do NOT use this outdoor fireplace under any overhead or near any unprotected combustible constructions. Avoid using near or under overhanging trees and shrubs.
- ▲ Always use this outdoor fireplace on a hard, level non-combustible surface such a concrete, rock or stone. An asphalt or blacktop surface may not be acceptable for this purpose. Do NOT use on wooden decks.
- ▲ Always empty this outdoor fireplace before each use.
- ▲ Do NOT wear flammable or loose clothing when operating this outdoor fireplace.
- ▲ Do NOT use in windy conditions.
- ▲ Do NOT use this outdoor fireplace unless spark guards are securely in place.
- ▲ Do NOT use gasoline, kerosene, diesel fuel, lighter fluid or alcohol to light or relight fires.
- ▲ Keep all electrical cords away from a hot fireplace.
- ▲ All surfaces of this outdoor fireplace are hot when in operation. To avoid burns, do NOT touch fireplace until it has completely cooled unless you are wearing protective gear (Potholders, gloves, BBQ mittens, hot pads & etc.). Never touch ashes or coals to see if they are hot.
- ▲ Do NOT leave a lit outdoor fireplace unattended, especially around children and pets.
- ▲ Do NOT attempt to move or store this outdoor fireplace until all ashes and coals are completely extinguished.
- ▲ Do NOT remove ashes or coals until they are completely and fully extinguished.
- ▲ Use heat-resistant gloves or hot pads when contacting handles.
- ▲ Use long, sturdy fireplace tools when adding or moving logs.
- ▲ Do NOT place wood directly into bottom of the outdoor fireplace. Place wood only on the wood grid.
- ▲ Do NOT overload the fireplace. Do not add additional firewood until the fire burns down. NOTICE: If any portion of the bowl, lid or spark guards of this outdoor fireplace are glowing red it is overloaded.
- ▲ Do NOT lean over this outdoor fireplace when lighting or when in use.
- ▲ Do NOT place a hot spark guard or hot fireplace tools onto combustible surfaces such as grass, wooden deck or furniture.
- ▲ Avoid breathing smoke from the fire and avoid getting it into your eyes.
- ▲ This outdoor fireplace should be thoroughly inspected and cleaned on a regular basis.
- ▲ After a period of storage and/or non-use, check for signs of damage and creosote build-up. Do NOT operate until necessary repairs and/or cleanup are executed.
- ▲ Use only Blue Rhino Global Sourcing, Inc factory authorized parts. The use of any part that is NOT factory authorized can be dangerous and will void your warranty.
- ▲ Please use protective gloves when assembling this product.
- ▲ Do not force parts together as this can result in personal injury or damage to the product.
- ▲ Deaths, serious injury or damage to property may occur if the above is not followed exactly.

Contact 1.800.762.1142 for assistance. Do not return to place of purchase.

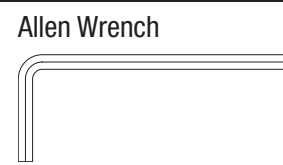
Parts List		
1	Spark Guard	55-05-391
2	Wood Grate	55-05-382
3	Bottom Bowl	55-05-381
4	Hearth	55-05-396
5	Leg (4)	55-05-385
6	Leg Support	55-05-386

Exploded View

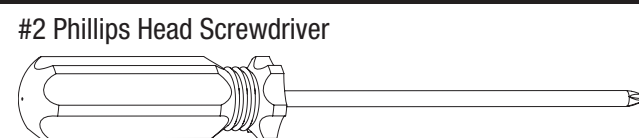


Hardware			
A	Screw	M5x10 Black Nickel Plated	4 pcs
B	Screw	M8x12 Black Nickel Plated	8 pcs
C	Lock Washer	ø8 Black Nickel Plated	8 pcs

Tools Required for Assembly (Included)



Tools Required for Assembly (Not Included)



Assembly Instructions

1 DO NOT RETURN PRODUCT TO STORE.

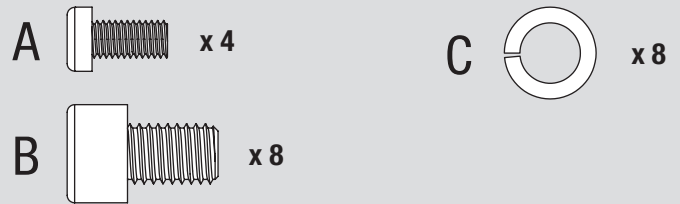
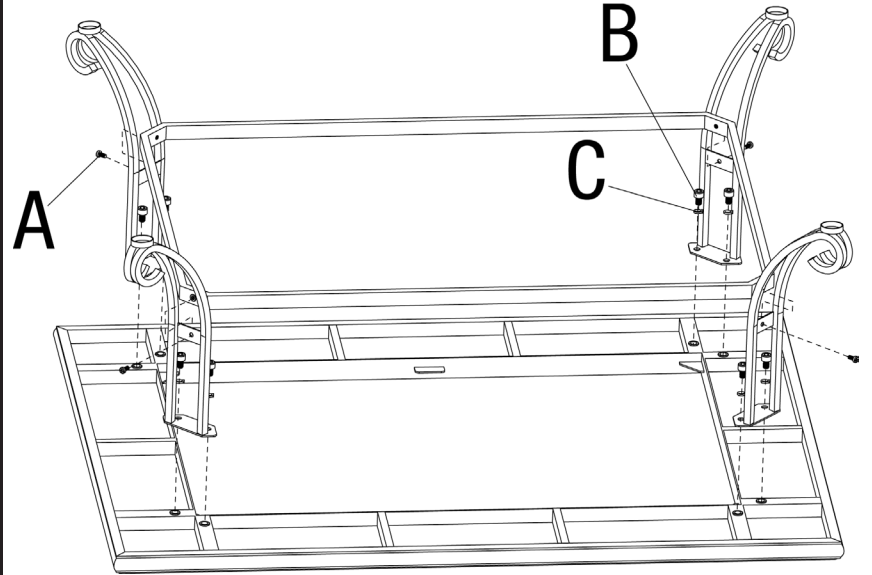
For assistance call **1.800.762.1142** toll free. Please have your owner's manual and model number available for reference.

For Easiest Assembly:

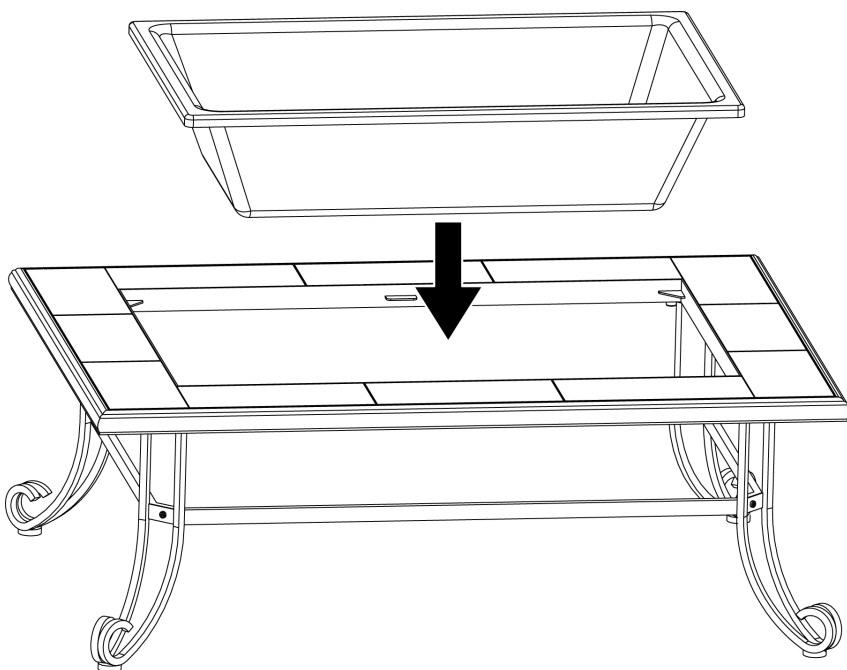
- To avoid losing any small components or hardware, assemble your product on a hard level surface that does not have cracks or openings.
- Clear an area large enough to layout all components and hardware.
- When applicable, tighten all hardware connections by hand first. Once the step is completed go back and fully tighten all hardware.
- Follow all steps in order to properly assemble your product.

Typical assembly: approximately 30 minutes.

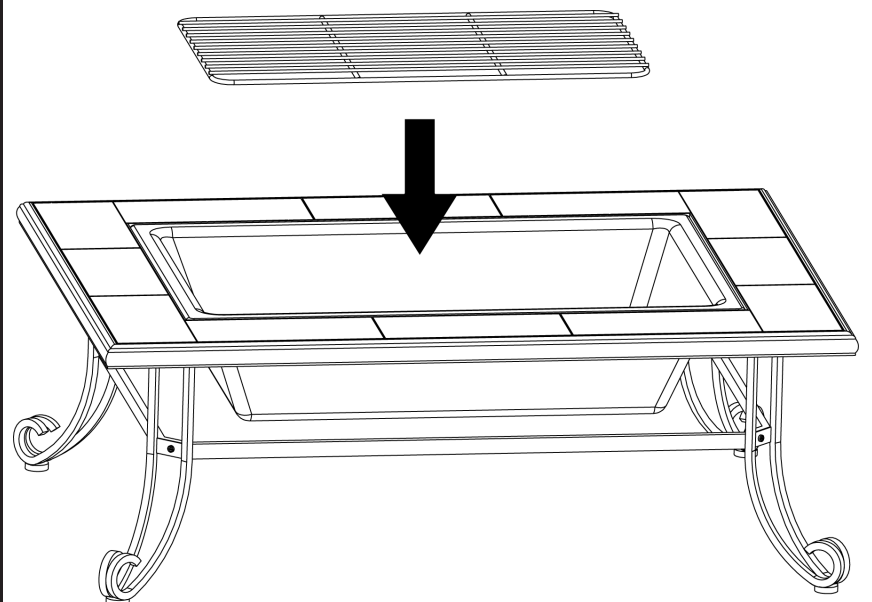
2 Assemble Base



3 Insert Bowl

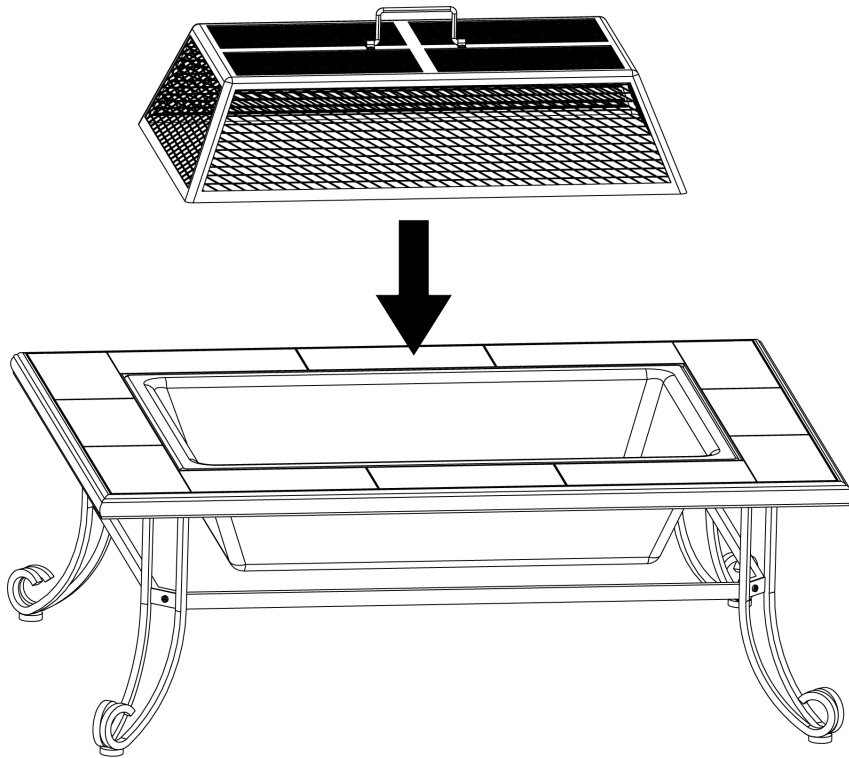


4 Insert Wood Grid



5

Place Spark Guard



Operating Instructions

▲ WARNING: Before using this outdoor fireplace, make sure you have read, understand and are following all information provided in the Important Safeguards presented on page 2. Failure to follow those instructions can cause death, serious injury or property damage.

Lighting

1. Make sure there is only a small amount of ash in the bottom of the bowl.
2. Place a layer of dry kindling or a natural firestarter such as Fatwood™ onto the center of the grate.
3. Place above that a layer of dry seasoned hardwood that is cut to lengths no more than 3/4 the diameter of the bowl.
4. Use a match to light kindling or firestarter.
5. Using a hook and heat resistant gloves, replace spark guard once the kindling or firestarter is lit.

Tending the Fire

You may need to shift and/or add logs for an ideal experience.

Do NOT place a hot spark guard or hot fireplace tools onto combustible surfaces such as grass, wooden deck or furniture.

1. Using a hook and heat resistant gloves, carefully remove spark guard.
2. While using a long handled fireplace tool, shift coals and logs to allow additional airflow.
3. Do NOT add gasoline, kerosene, diesel fuel, lighter fluid or alcohol to relight or enhance an existing fire.
4. Wait until glowing coals have developed before adding any additional wood. If additional wood is required, place wood on top coals. Be careful not to shift ashes.
4. Using a hook and heat resistant gloves, replace spark guard.

Extinguishing

1. Allow fire to burn itself out.
2. Do NOT use water to extinguish as this is dangerous and can cause damage to this outdoor fireplace.

Cleaning and Care

Inspecting

This outdoor fireplace should be inspected on a regular basis to ensure product safety and longer product life.

Do NOT attempt to inspect this outdoor fireplace until the fire is COMPLETELY out.

1. Check handles to make sure they are secure.
2. Check components for any signs of damage or rust.
3. If damage to any component is detected, do NOT operate until repairs are executed.

Cleaning

This outdoor fireplace should be cleaned on a regular basis to promote safer experiences and longer product life.

Note: After repeated use, a slight discoloration of the finish may occur.

Do NOT attempt to clean this outdoor fireplace until the fire is COMPLETELY out.

Do NOT use oven cleaner or abrasive cleaners as they will damage this product.

Do NOT clean any part of this outdoor fireplace in a self cleaning oven as it may damage the finish.

1. Wipe exterior surfaces with a mild dishwashing detergent or baking soda.
2. For stubborn surfaces use a citrus based degreaser and a nylon scrubbing brush.
3. Rinse clean with water.
4. Remove built-up creosote from components with a chimney cleaning product.

Storage

Do NOT move or store this outdoor fireplace until the fire is COMPLETELY out.

1. Once the fire is out, coals are cold and outdoor fireplace is cool to the touch, remove ashes and properly dispose.
2. Cover outdoor fireplace with a durable vinyl cover designed to fit this unit.
3. Store assembled in a location away from children and pets.

Note: If you do not use a cover, store this outdoor fireplace in a dry location to maximize product life.



Product Registration

For faster warranty service, please register your product immediately at www.bluerhino.com or call 1.800.762.1142.

Limited Warranty

Blue Rhino Global Sourcing, Inc ("Vendor") warrants to the original retail purchaser of this product, and to no other person, that if this product is assembled and operated in accordance with the printed instructions accompanying it, then for a period of one (1) year from the date of purchase, all parts in such product shall be free from defects in material and workmanship. Vendor may require reasonable proof of your date of purchase. Therefore, you should retain your sales slip or invoice. This Limited Warranty shall be limited to the repair or replacement of parts, which prove defective under normal use and service and which Vendor shall determine in its reasonable discretion upon examination to be defective. Before returning any parts, you should contact Vendor's Customer Service Department using the contact information listed below. If Vendor confirms, after examination, a defect covered by this Limited Warranty in any returned part, and if Vendor approves the claim, Vendor will replace such defective part without charge. If you return defective parts, transportation charges must be prepaid by you. Vendor will return replacement parts to the original retail purchaser, freight or postage prepaid.

This Limited Warranty does not cover any failures or operating difficulties due to accident, abuse, misuse, alteration, misapplication, improper installation or improper maintenance or service by you or any third party, or failure to perform normal and routine maintenance on the product as set out in this owner's manual. In addition, the Limited Warranty does not cover damage to the finish, such as scratches, dents, discoloration, rust or other weather damage, after purchase.

This Limited Warranty is in lieu of all other express warranties. Vendor disclaims all warranties for products that are purchased from sellers other than authorized retailers or distributors, including the warranty of merchantability or the warranty of fitness for a particular purpose. VENDOR ALSO DISCLAIMS AND ANY ALL IMPLIED WARRANTIES, INCLUDING WITHOUT LIMITATION THE IMPLIED WARRANTIES OF MERCHANTABILITY AND FITNESS FOR A PARTICULAR PURPOSE. VENDOR SHALL NO LIABILITY TO PURCHASER OR ANY THIRD PARTY FOR ANY SPECIAL, INDIRECT, PUNITIVE, INCIDENTAL, OR CONSEQUENTIAL DAMAGES. Vendor further disclaims any implied or express warranty of, and assumes no responsibility for, defects in workmanship caused by third parties.

This Limited Warranty gives the purchaser specific legal rights; a purchaser may have other rights depending upon where he or she lives. Some jurisdictions do not allow the exclusion or limitation of special, incidental or consequential damages, or limitations on how long a warranty lasts, so the above exclusion and limitations may not apply to everyone.

Vendor does not authorize any person or company to assume for it any other obligation or liability in connection with the sale, installation, use, removal, return, or replacement of its equipment, and no such representations are binding on Vendor.

Blue Rhino Global Sourcing, Inc
Winston-Salem, North Carolina USA
(800) 762-1142

Contact 1.800.762.1142 for assistance. Do not return to place of purchase.



Free Manuals Download Website

<http://myh66.com>

<http://usermanuals.us>

<http://www.somanuals.com>

<http://www.4manuals.cc>

<http://www.manual-lib.com>

<http://www.404manual.com>

<http://www.luxmanual.com>

<http://aubethermostatmanual.com>

Golf course search by state

<http://golfingnear.com>

Email search by domain

<http://emailbydomain.com>

Auto manuals search

<http://auto.somanuals.com>

TV manuals search

<http://tv.somanuals.com>