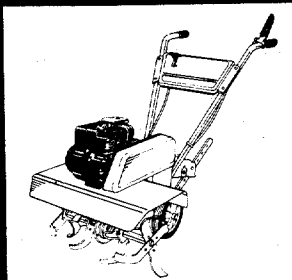


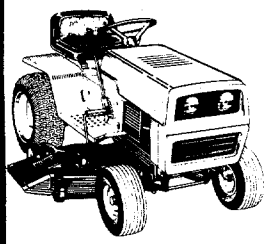
OWNER'S GUIDE

OUTDOOR POWER EQUIPMENT
for all seasons

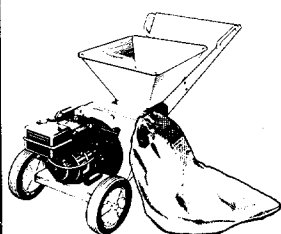
Spring



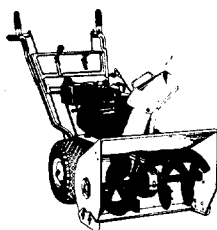
Summer



Fall



Winter



**21" SIDE
AND TOP
DISCHARGE
ROTARY
MOWER**

*ELECTRIC START
SELF-PROPELLED*

**Model Number
126-216-000**

067 catcher

**Important:
Read Safety Rules and
Instructions Carefully**

Thank you for purchasing
an American-built product.

INDEX

Safe Operation Practices	3	Maintenance	14
Assembly	4	Off-Season Storage	16
Controls	9	Trouble Shooting	18
Operation	10	Illustrated Parts	20
Adjustments	12	Repair Parts List	21, 22
Lubrication	13	Parts Information	Back Cover



Instructions given with this symbol are for personal safety. Be sure to follow them.

LIMITED WARRANTY

For one year from the date of original retail purchase, MTD PRODUCTS INC will either repair or replace, at its option, free of charge, F.O.B. factory or authorized service firm, any part or parts found to be defective in material or workmanship. Transportation charges for the movement of any power equipment unit or attachment are the responsibility of the purchaser. Transportation charges for any parts submitted for replacement under this warranty must be paid by the purchaser unless such return is requested by MTD PRODUCTS INC.

This warranty will not apply to any part which has become inoperative due to misuse, excessive use, accident, neglect, improper maintenance, alterations, or unless the unit has been operated and maintained in accordance with the instructions furnished. This warranty does not apply to the engine, motor, battery, battery charger or component parts thereof. Please refer to the applicable manufacturer's warranty on these items.

This warranty will not apply where the unit has been used commercially.

Warranty service is available through your local authorized service dealer or distributor. If you do not know the dealer or distributor in your area, please write to the Customer Service Department of MTD.

The return of a complete unit will not be accepted by the factory unless prior written permission has been extended by MTD.

This warranty gives you specific legal rights. You may also have other rights which vary from state to state.



WARNING

This unit is equipped with an internal combustion engine and should not be used on or near any unimproved forest-covered, brush-covered or grass-covered land unless the engine's exhaust system is equipped with a spark arrester meeting applicable local or state laws (if any). If a spark arrester is used, it should be maintained in effective working order by the operator.

In the State of California the above is required by law (Section 4442 of the California Public Resources Code). Other states may have similar laws. Federal laws apply on federal lands. A spark arrester muffler is available at your nearest engine authorized service center.



To reduce the potential for any injury, comply with the following safety instructions. Failure to comply with the instructions may result in personal injury.

SAFE OPERATION PRACTICES FOR WALK-BEHIND MOWERS

TRAINING

1. Read this owner's manual carefully in its entirety before attempting to assemble or operate this machine. Be completely familiar with the controls and the proper use of this machine before operating it. Keep this manual in a safe place for future and regular reference and for ordering replacement parts.
2. Your rotary mower is a precision piece of power equipment, not a plaything. Therefore, exercise extreme caution at all times.
3. Never allow children to operate a power mower. Only persons well acquainted with these rules of safe operation should be allowed to use your mower.
4. No one should operate this unit while intoxicated or while taking medication that impairs the senses or reactions.
5. Keep the area of operation clear of all persons, particularly small children and pets. Stop engine when they are in the vicinity of your mower. Although the area of operation should be completely cleared of foreign objects, an object may have been overlooked and could be accidentally thrown by the mower in any direction and cause serious personal injury to the operator or any others allowed in the area.

PREPARATION

1. Thoroughly inspect the area where the equipment is to be used. Remove all stones, sticks, wire, bones and other foreign objects which could be picked up and thrown by the mower in any direction and cause serious personal injury to the operator or any others allowed in the area.
2. Do not operate equipment when barefoot or wearing open sandals. Always wear substantial footwear.
3. Do not wear loose fitting clothing that could get caught on the mower.
4. Check the fuel before starting the engine. Gasoline is an extremely flammable fuel. Do not fill the gasoline tank indoors, while the engine is running, or while the engine is still hot. Replace gasoline cap securely and wipe off any spilled gasoline before starting the engine as it may cause a fire or explosion.
5. Disengage the self-propelled mechanism or drive clutch on units so equipped before starting the engine.
6. The blade control handle is a safety device. Never attempt to bypass its operation. Doing so makes the safety device inoperative and may result in personal injury through contact with the rotating blade. The blade control handle must operate easily in both directions.
7. Never attempt to make a wheel or cutting height adjustment while the engine is running.
8. Mow only in daylight or in good artificial light.
9. Never operate the equipment in wet grass. Always be sure of your footing. A slip and fall can cause serious personal injury. Keep a firm hold on the handle and walk, never run.

10. Always wear safety glasses or eye shields during operation or while performing an adjustment or repair, to protect eyes from foreign objects that may be thrown from the machine in any direction.

OPERATION

1. Do not change the engine governor settings or over-speed the engine. Excessive engine speeds are dangerous.
2. Do not put hands or feet near or under rotating parts. Keep clear of the discharge opening at all times as the rotating blade can cause injury.
3. Stop the blade when crossing gravel drives, walks or roads.
4. After striking a foreign object, stop the engine, remove the wire from the spark plug, and thoroughly inspect the mower for any damage. Repair the damage before restarting and operating the mower.
5. If the equipment should start to vibrate abnormally, stop the engine and check immediately for the cause. Vibration is generally a warning of trouble.
6. Shut the engine off and wait until the blade comes to a complete stop before removing the grass catcher or unclogging the chute. The cutting blade continues to rotate for a few seconds after the engine is shut off. Never place any part of the body in the blade area until you are sure the blade has stopped rotating.
7. Before cleaning, repairing or inspecting, make certain the blade and all moving parts have stopped. Disconnect the spark plug wire, and keep the wire away from the spark plug to prevent accidental starting.
8. Do not run the engine indoors.
9. Mow across the face of slopes, never up-and-down. Exercise extreme caution when changing direction on slopes. Do not mow excessively steep slopes. Always be sure of your footing. A slip and fall can cause serious personal injury.
10. Always disconnect electric mowers (line operated) before cleaning, repairing or adjusting.
11. Never operate mower without proper guards, plates or other safety protective devices in place.
12. **DO NOT OPERATE** this mower with the chute door open, unless the complete grass catcher is properly mounted on the mower.

MAINTENANCE AND STORAGE

1. Check the blade and engine mounting bolts at frequent intervals for proper tightness.
2. Keep all nuts, bolts, and screws tight to be sure the equipment is in safe working condition.
3. Never store the equipment with gasoline in the tank inside of a building where fumes may reach an open flame or spark. Allow the engine to cool before storing in any enclosure.
4. To reduce fire hazard, keep the engine free of grass, leaves, or excessive grease.
5. Check the grass catcher bag frequently for wear or deterioration. For safety protection, replace only with new bag meeting original equipment specifications.

NOTE

This unit is shipped WITHOUT GASOLINE or OIL. After assembly, see separate engine manual for proper fuel and engine oil recommendations.

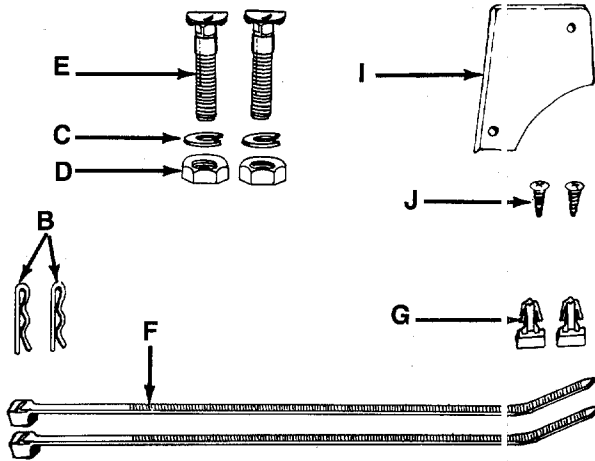


FIGURE 1.

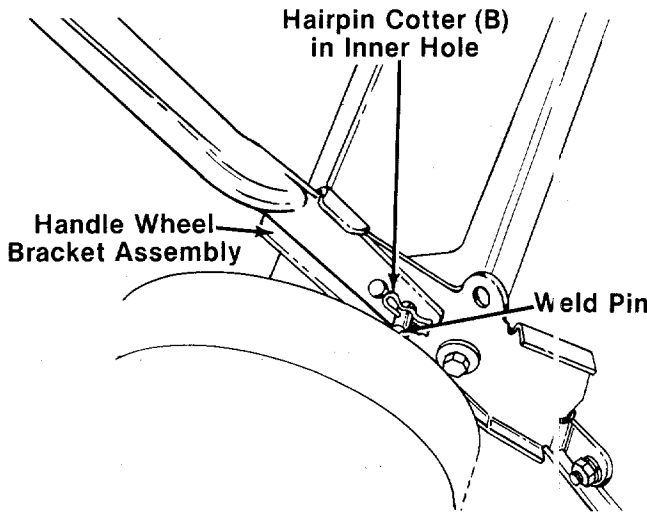


FIGURE 2.

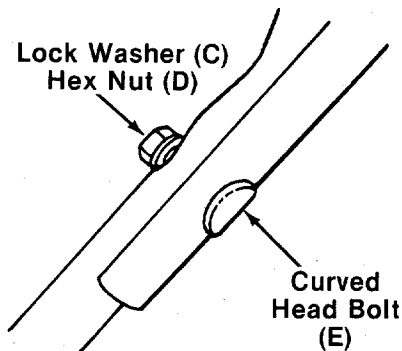


FIGURE 3.

ASSEMBLY INSTRUCTIONS

NOTE

Reference to right or left hand side of the mower is observed from the operating position.

Contents of Hardware Pack: (See Figure 1)

- A (1) Battery Charger (Not Shown)
- B (2) Hairpin Cotters
- C (2) Lock Washers 5/16" I.D.
- D (2) Hex Nuts 5/16-18 Thread
- E (1) Curved Head Carriage Bolt
- F (2) Cable Ties
- G (2) Plastic Cable Anchors
- H (1) Cable Clamp (Not Shown)
- I (1) Plastic Cap
- J (2) Phillips Head Screws
- K (2) Ignition Keys (Not Shown)

Loose Parts in Carton:

- (1) Lower Handle
- (1) Upper Handle
- (1) Side Chute Deflector
- (1) Grass Catcher Handle
- (1) Front Catcher Frame
- (1) Grass Catcher Bag

1. Remove lawn mower and loose parts from carton. Make certain all parts and literature have been removed from the carton before the carton is discarded.
2. Extend all control cables and place on the floor. Be careful not to bend or kink control cables.
3. For shipping purposes your mower is set with the wheels in the lowest cutting height position. Raise the mower to the highest setting for assembly of lower handle.
4. Attach the lower handle by placing the bottom holes in the lower handle over the weld pins on the handle wheel bracket assemblies. Make certain the instruction label on the lower handle can be read from the operating position. Secure with hairpin cotters (B) in inner holes on weld pins. See figure 2.

NOTE

It may be necessary to bend the ends of the lower handle inward slightly to obtain a tight fit against the handle mount brackets.

5. Place the upper handle in position over the lower handle. The control housing must be on the left hand side of the handle. Secure the upper handle using the curved head bolt (E), lock washer (C) and hex nut (D) as shown in figure 3.

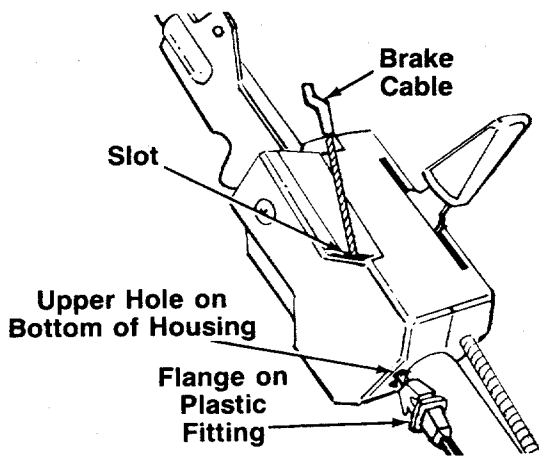


FIGURE 4.

6. The brake cable is attached to the engine. Route the brake cable through the opening beneath the catcher panel, inside the handle mount bracket and under the lower handle. Place the end of the brake cable into the upper hole on the bottom of the control housing, and through the slot in the side of the housing as shown in figure 4. The angle of the flange on the plastic fitting must be positioned downward as shown. Be careful not to bend or kink the cable.



Brake cable must be assembled as shown for proper blade brake operation.

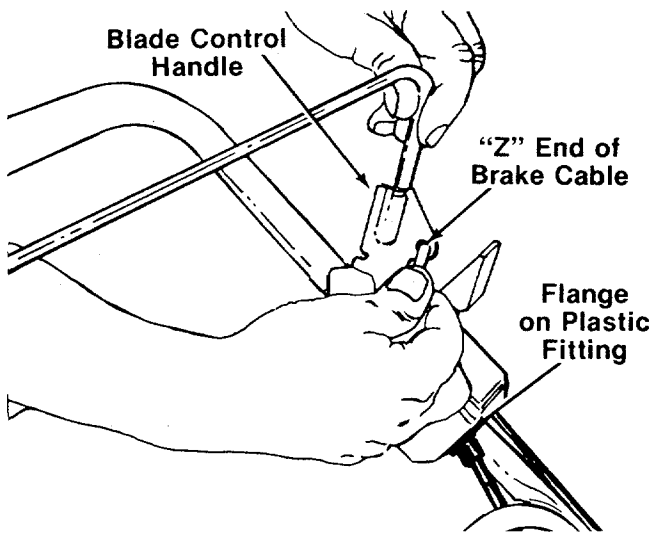


FIGURE 5.

7. Snap the plastic fitting on the end of the cable into the control housing. Hook the "Z" end of the brake cable into the hole in the blade control handle. See figure 5.

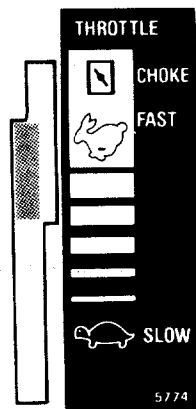


FIGURE 6.

8. Move throttle control lever on handle forward until it stops in FAST position. (**Do not** push all the way forward to CHOKE position.) See figure 6.

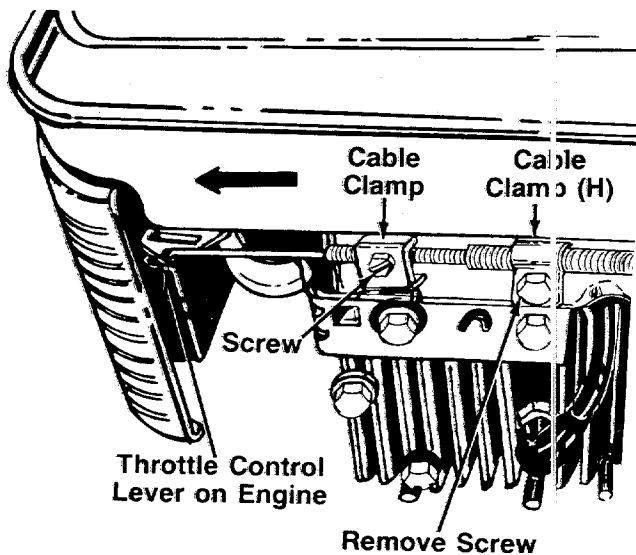


FIGURE 7.

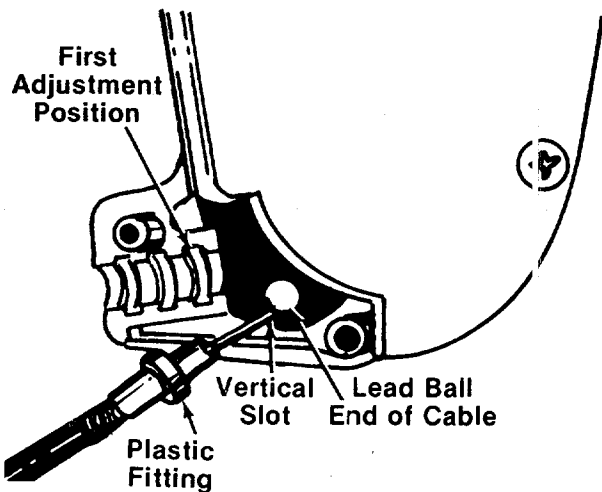


FIGURE 8.

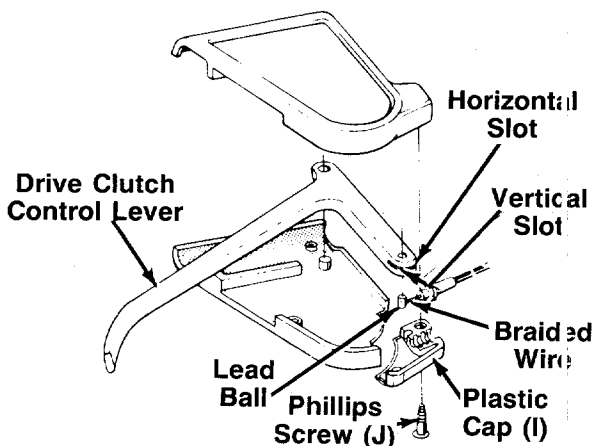


FIGURE 9.

9. Route the throttle control cable (attached to the upper handle) under the lower handle, inside the handle bracket assembly and through the catcher panel opening (next to brake cable). Hook the "Z" end of the throttle control cable into the hole in the control lever on the engine.

10. Using a 7/16" wrench, remove the screw on the engine shown in figure 7.

11. Remove the screw on the cable clamp shown in figure 7. Slip the control casing under the clamp. Replace the screw, but do not tighten (cable must still move freely beneath the clamp).

12. Slide the throttle control lever on the engine as far toward the **outside** of the engine as it will go **easily** (just until resistance is felt) as shown in figure 7. (**Do not** force it into the extreme outside position, which is the **CHOKE** position). Tighten the screw to secure the throttle control cable in this position.

13. Loosen the screw on the clamp on the side of the engine. Slip the cable casing under the clamp to secure the cable **away from the muffler**. Be careful not to bend or kink the cable. Tighten the screw.

14. Secure cable casing to the front of engine with cable clamp (H) provided in hardware pack and screw removed from engine in step 10. Do not overtighten.

15. The drive clutch control cable is attached to the deck. Attach the cable to the lever in the clutch control housing, located in the middle of the upper handle, as follows.

a. Place the lead ball end of the cable into the fitting provided in the end of the clutch control lever. Slip the braided wire into the vertical slot as shown in figure 8.

b. Slide the braided wire around in the horizontal slot. See figure 9.

c. Place the plastic fitting on the control cable into the first adjustment position in the clutch control housing. See figure 8.

d. Secure the plastic cap (I) to the clutch control housing using the two Phillips head screws (J). See figure 9.



WARNING
Drive clutch adjustment must be checked before the unit is operated, as described in the operation section.

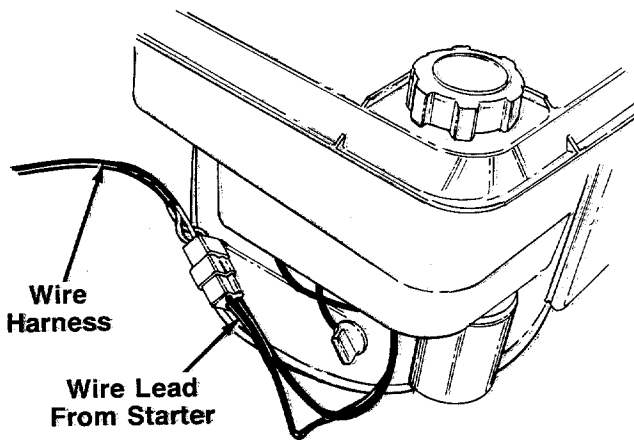


FIGURE 10.

16. Plug the end of the wire lead coming from the starter on the engine into the plug on the end of the wire harness. See figure 10.

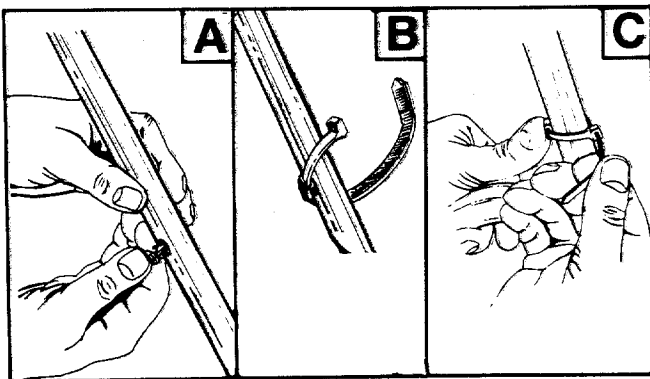


FIGURE 11.

17. Secure all control cables to the left side of the handle as follows.

- A. Insert plastic cable anchors (G) into holes provided on the inside of the lower handle, one near the top and one near the bottom of lower handle. See figure 11A.
- B. Slip cable ties (F) through cable anchors so the teeth in the cable tie will be against the handle (smooth side is away from the handle). See figure 11B.
- C. Secure the cables with the cable ties. See figure 11C.
- D. Cut off excess ends of cable ties.

18. Attach hub caps (optional) to the wheels by lining up cap with hub of wheel. Push to snap in place.
19. Make certain all nuts and bolts are tightened securely.

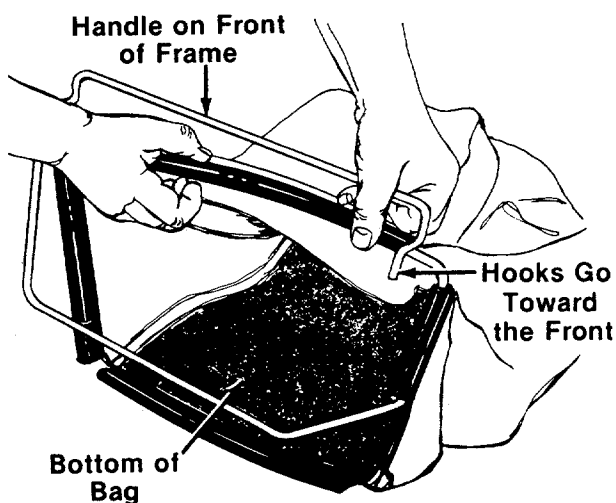


FIGURE 12.

GRASS CATCHER ASSEMBLY

1. Place bag over frame (black plastic side is the bottom of bag). Handle on frame goes to the top of bag. Hooks go toward the front. See figure 12.
2. Secure bag to frame by slipping plastic channels on bag over frame. See figure 12.

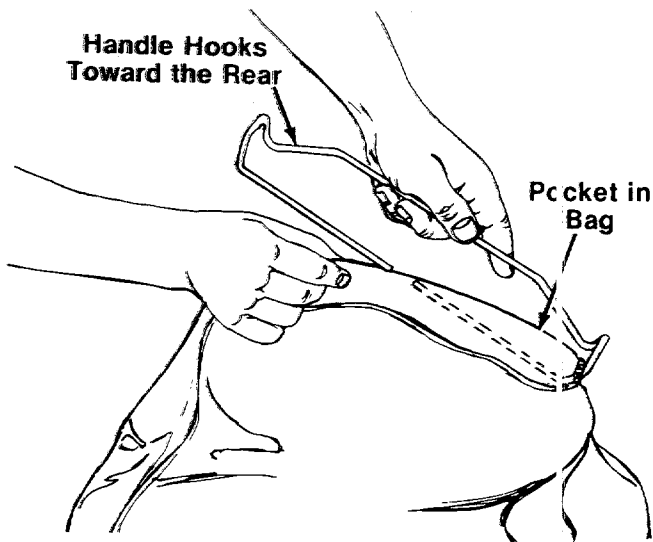


FIGURE 13.

3. Attach the rear handle to bag by inserting one side of handle into pocket on the rear of the bag. The handle should hook toward the rear of the bag as shown in figure 13. Thread all the material onto one side, then slide it over onto the other side. See figure 13.

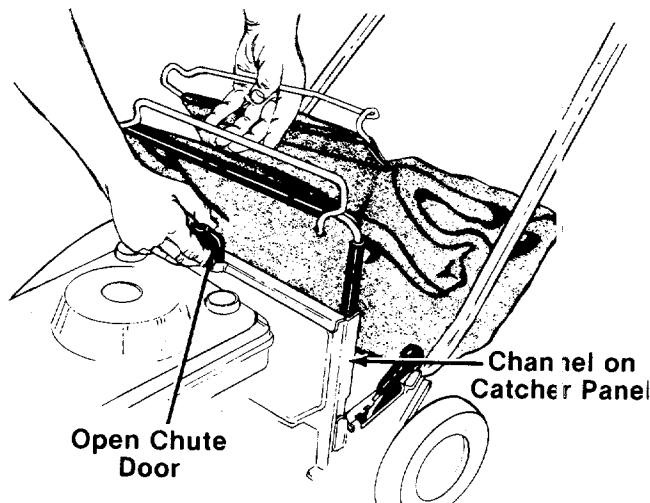


FIGURE 14.

TO ATTACH BAG TO MOWER



WARNING

DO NOT operate the mower with the chute door open unless the complete grass catcher is properly mounted on the mower.

1. Hold the chute door on the catcher panel open as shown in figure 14.
2. Slide the frame of the grass catcher down into the channels on the catcher panel. The hooks on the frame go over the catcher panel.

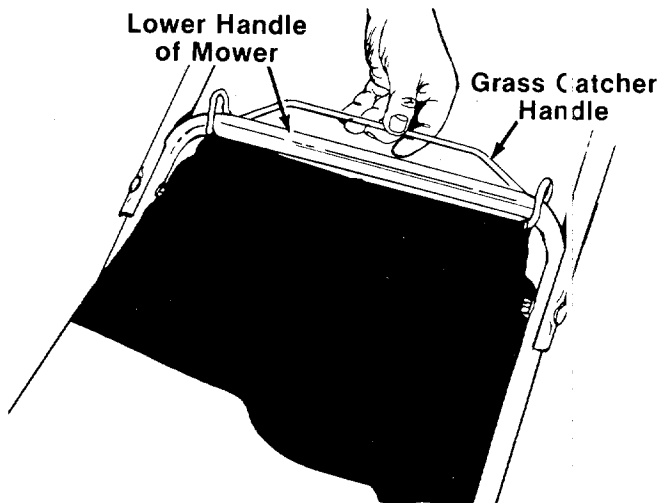


FIGURE 15.

3. Hook the handle on the rear of the grass catcher over the lower handle of the mower. See figure 15.

To remove the grass catcher, unhook the rear handle and lift the grass catcher straight up.

To convert your mower back to a side discharge unit, remove only the grass bag and top discharge chute, and assemble the side chute deflector. It is not necessary to remove the catcher panel and brackets.



WARNING

Never operate your unit without either the side chute deflector or entire top discharge chute and catcher panel assembly in place.

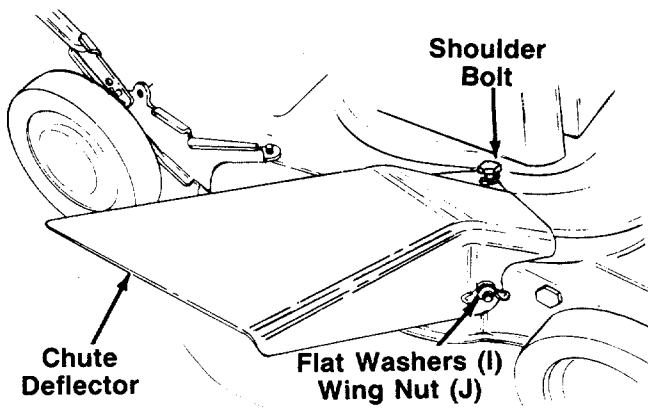


FIGURE 16.

TO CONVERT MOWER TO SIDE DISCHARGE

To convert your mower to a side discharge unit, remove only the grass bag and top discharge chute. It is not necessary to remove the catcher panel and brackets. To remove the top discharge chute, proceed as follows.

← See figures 16 and 17.

1. Remove the two wing nuts and flat washers which secure the top discharge chute to the side of the deck.
2. Lift up on the front edge of the discharge chute, then slide it toward the side, removing it from the bolts in the side of the deck.
3. Attach the side chute deflector by first placing it over the rear bolt in the side of the deck, then over the front bolt and sliding it into position. Secure with the hardware removed in step one.

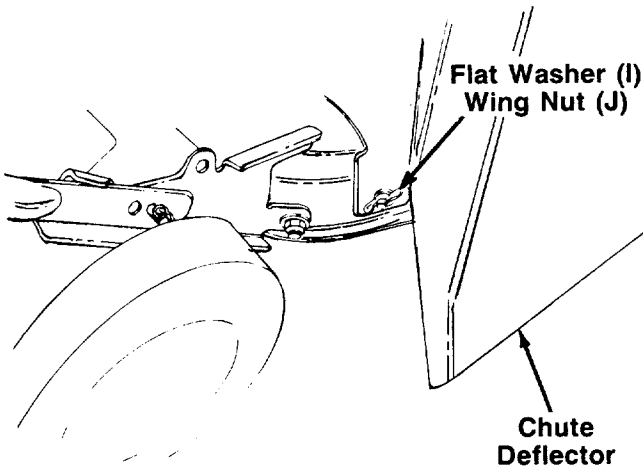


FIGURE 17.



WARNING

← Never operate your unit without either the side chute deflector or entire top discharge chute and catcher panel assembly in place.

CONTROLS

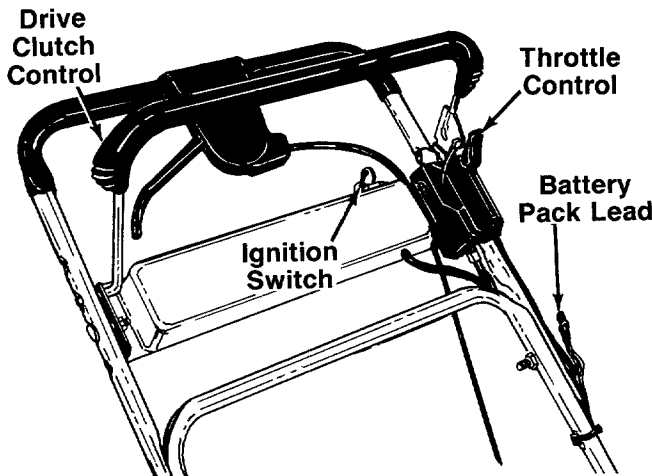


FIGURE 18.

BLADE CONTROL HANDLE

WARNING
 THIS CONTROL MECHANISM IS A SAFETY DEVICE NEVER ATTEMPT TO BYPASS ITS OPERATIONS

The blade control handle is located on the upper handle of the mower. See figure 18. The blade control handle must be depressed in order to operate the unit. Release the blade control handle to stop the engine and blade.



WARNING

The blade will be rotating whenever the engine is running.

THROTTLE CONTROL

The throttle control is located on the left side of the upper handle. It is used to regulate the engine speed. The engine should be started with the engine in the CHOKE position.



The throttle control cannot be used to stop the engine.

DRIVE CLUTCH CONTROL

Squeezing the drive clutch control engages the drive mechanism to the rear wheels. Releasing the clutch control stops the rear wheels from driving. Release the drive clutch control to slow down when negotiating an obstacle, making a turn or stopping. See figure 18.

IGNITION SWITCH

The ignition switch is located on the left side of handle panel. It is used for starting only. See figure 18.

OPERATION



FIGURE 19.

Keep hands and feet away from the chute area on cutting deck. See figure 19.



For shipping purposes your mower is set with the wheels in a low cutting height position. For best results raise the cutting position until it is determined which height is best for your lawn. See cutting height adjustment section.

BEFORE STARTING



The battery contains corrosive fluid and toxic material. **HANDLE WITH CARE.** Keep away from children. Do not puncture, disassemble, mutilate or incinerate. Explosive gases could be vented during charging or discharging. Use in a well-ventilated area, away from sources of ignition.

1. Charge battery for 16 hours before initial use. **DO NOT CHARGE LONGER THAN 20 HOURS.**



Use only the battery charger supplied with this mower.

To charge the battery, first remove the protective cap from the end of the battery pack lead. See figure 10. Always plug charger lead into battery pack lead before inserting battery charger plug into 120 volt standard household outlet.

After charging, disconnect battery charger plug from household outlet first, then disconnect charger lead from battery pack lead.



Do not remove the battery pack from the handle panel for any reason other than replacement. When replacing the battery pack, refer to instructions in Maintenance section.

2. Fill sump with oil as instructed in the separate engine manual packed with your unit.
3. Fill fuel tank, using clean, fresh, unleaded, low-lead or regular grade leaded gasoline. Fill tank completely!

DO NOT MIX OIL WITH GASOLINE.

4. Attach spark plug wire to spark plug.
5. The fuel shut-off valve is located beneath the fuel tank. An access hole is provided in the catcher panel. The fuel shut-off valve should be in the open position. See figure 20. Open fuel shut-off valve using a wrench if it is closed. See figure 21.

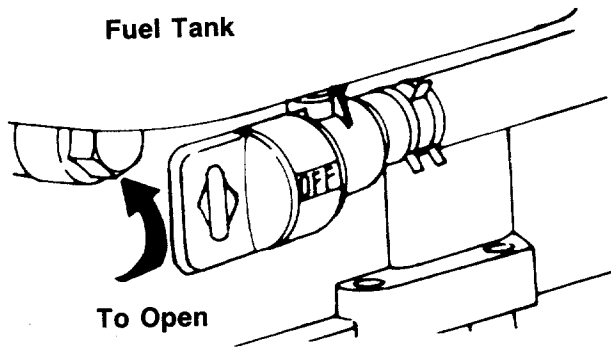


FIGURE 20.

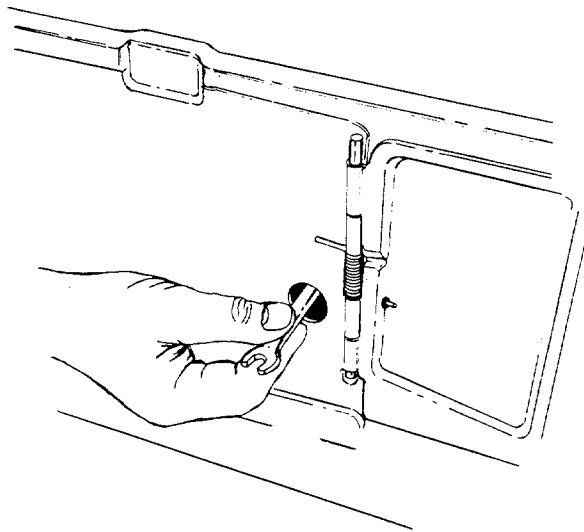


FIGURE 21.

6. Before each use, check for proper drive clutch operation by performing the following before starting the engine:

With the drive clutch control released, push mower forward. It should move freely. **Pull mower backward. It should move freely.**

If it does not and the rear wheels tend to lock up, the clutch may not be releasing completely. Do not start the engine until corrections have been made. Check the control cable for severe bend, kinks and binding, or grass buildup in the pulley groove. Correct and adjust as required.

TO START ENGINE AND ENGAGE BLADE



When starting the unit for the first time, face the mower against a solid object such as a wall, fence, etc. Start the unit, and if it shows any signs of motion with the drive clutch control disengaged, shut the engine off immediately. Check the position of the drive clutch control cable. The plastic fitting must be assembled in the first adjustment position inside the housing, all the way to the right, as shown in figure 8.

1. Move the throttle control lever to CHOKE position.



A warm engine may not require choking.

2. Standing behind the unit, depress the blade control handle and hold it against the upper handle.
3. Grasp the recoil starter handle as shown and pull back rapidly, extending rope fully. Return it slowly to the rope guide bolt.
4. After engine starts, move throttle control to FAST or desired engine speed.



Never operate your unit without either the side chute deflector or entire top discharge chute and catcher panel assembly in place.

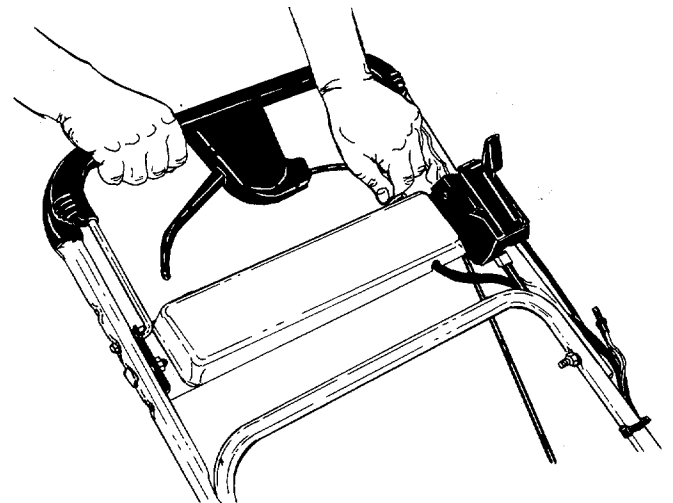


FIGURE 22.

 **NOTE**

The engine on your unit is provided with an auxiliary recoil starter system. To start the engine using the auxiliary starter system, proceed as follows.

- A. Depress the blade control handle, and hold it against the upper handle.
- B. Grasp the recoil starter handle, slowly pull the rope out from the engine about two feet and hold rope in this position.
- C. Step behind the handle into the operating position. With the blade control handle still depressed, pull recoil starter handle using a quick, firm motion. Repeat until engine starts. After engine starts, return rope slowly to the engine.

TO STOP ENGINE AND BLADE

1. Release the blade control handle to stop the engine and blade.



The blade continues to rotate for a few seconds after the engine is shut off.

2. Disconnect the spark plug wire and ground it against the engine to prevent accidental starting while equipment is unattended.

USING YOUR ROTARY MOWER

DO NOT operate mower with the chute door open unless the complete grass catcher is properly mounted on the mower.

Be sure that lawn is clear of stones, sticks, wire, or other objects which could damage lawn mower or engine. Such objects could be accidentally thrown by the mower in any direction and cause serious personal injury to the operator and others.

Operate a new engine at intermediate speeds and light load for the first few hours as you would a new automotive engine.

For the best results, do not cut wet grass because it tends to stick to the underside of the mower, preventing proper discharge of grass clippings, and could cause you to slip and fall. New grass, thick grass or wet grass may require a narrower cut. Blade speed should be adjusted to the condition of the lawn.

When using the side discharge mower, the best mowing pattern is one that allows the clippings to discharge towards the uncut part of the lawn. This permits recutting of the clippings to further pulverize them. When cutting high weeds, discharge towards cut portion, then recut at right angles to first direction.

For best results, cut off one-third or less of the total length of the grass. Lawn should be cut in the fall as long as there is growth.

This mower is designed to be operated at full throttle to give you the best cut and do the most effective job of bagging the cut grass.

 **IMPORTANT**

If you strike a foreign object, stop the engine. Remove wire from spark plug, thoroughly inspect the mower for any damage, and repair the damage before restarting and operating the mower. Extensive vibration of the mower during operation is an indication of damage. The unit should be promptly inspected and repaired.

ADJUSTMENTS

Do not at any time make any adjustment to lawn mower without first stopping engine and disconnecting spark plug wire.

DRIVE CLUTCH CONTROL ADJUSTMENT

If the unit does not self-propel with the drive clutch control engaged, remove the plastic cap from beneath the drive clutch control housing. Move the plastic fitting on the control cable to the next adjustment position on the left. Reassemble the plastic cap and retest. See figure 23.

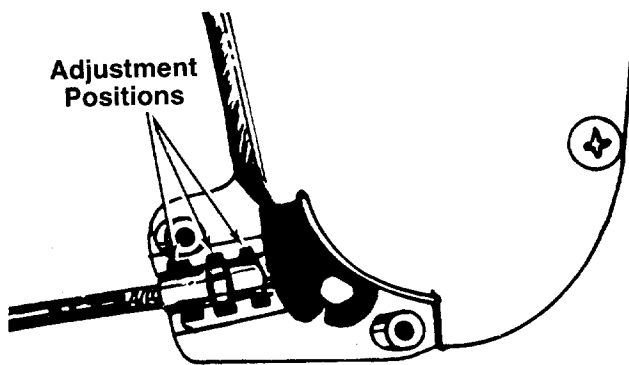


FIGURE 23.

CUTTING HEIGHT ADJUSTMENT

The height adjustment handle is located on the left side of the deck. The handle may be placed in one of nine cutting height positions. Push the handle to the left and then either forward to lower the cutting height or backward to raise the cutting height. See figure 24.

For rough or uneven lawns, move the height adjustment handle to a position which will give a higher cutting height.

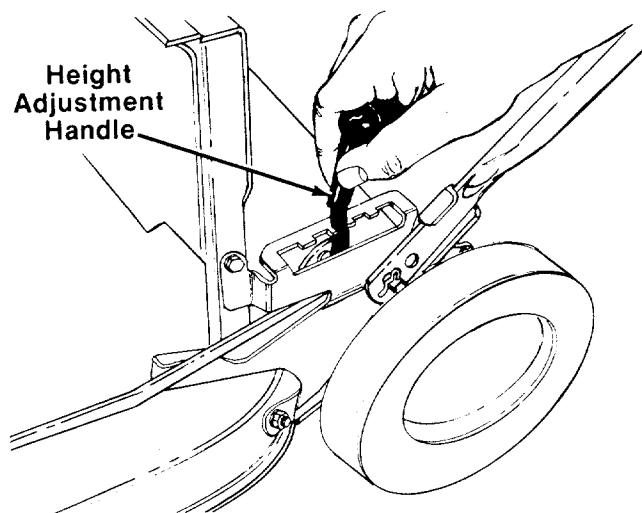


FIGURE 24.

THROTTLE

The throttle control wire assembly can be adjusted if necessary. Refer to steps 8 thru 12 of assembly instructions.

CARBURETOR ADJUSTMENTS



If any adjustments are made to the engine while the engine is running (e.g. carburetor), keep clear of all moving parts. Be careful of heated surfaces and muffler.

Minor carburetor adjustment may be required to compensate for differences in fuel, temperature, altitude and load.

Refer to the separate engine manual packed with your mower for carburetor adjustment information.

LUBRICATION



Always stop engine and disconnect spark plug wire before cleaning, lubricating or doing any kind of work on lawn mower.

Blade Control—Lubricate the pivot points on the blade control handle and the brake cable at least once a season with light oil. See figure 25. The blade control must operate freely in both directions.

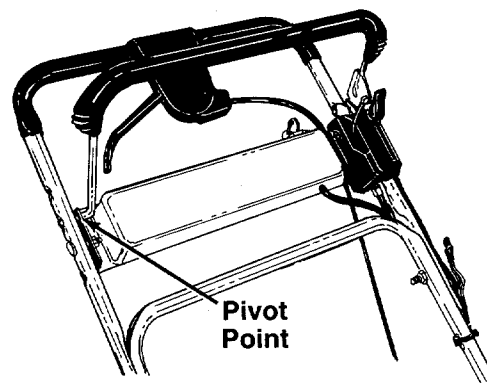


FIGURE 25.

Discharge Chute Door Mechanism—The torsion spring and pivot point should be lubricated periodically with light oil to prevent any rust or binding. Door must work freely.

Wheels—Mower may be provided with ball bearing wheels. Lubricate at least once a season with light oil. Also, if the wheels are removed for any reason, lubricate the surface of the axle bolt and the inner surface of the wheel with light oil. A 4 oz. plastic bottle of light oil lubricant is available. Order part number 737-0170. Engine oil may also be used.

Engine—Follow engine manual for lubrication instructions.

Throttle—Periodically lubricate throttle control lever and throttle wire assembly with a few drops of light oil for ease of operation.

MAINTENANCE



When tipping the unit, empty the fuel tank and keep engine spark plug side up.

BATTERY PACK REPLACEMENT

Remove the battery pack from the panel for replacement only. Do not separate the batteries for any reason. Dispose of batteries properly.



WARNING

Batteries contain sulfuric acid which may cause burns. Do not short circuit or mutilate in any way. Do not put batteries in fire. They may burst or release toxic materials.

When replacing battery pack, battery pack must be positioned with the positive terminal to the right hand side and the negative terminal to the left hand side of panel. See figure 26. Replacing the battery pack incorrectly will cause serious damage.

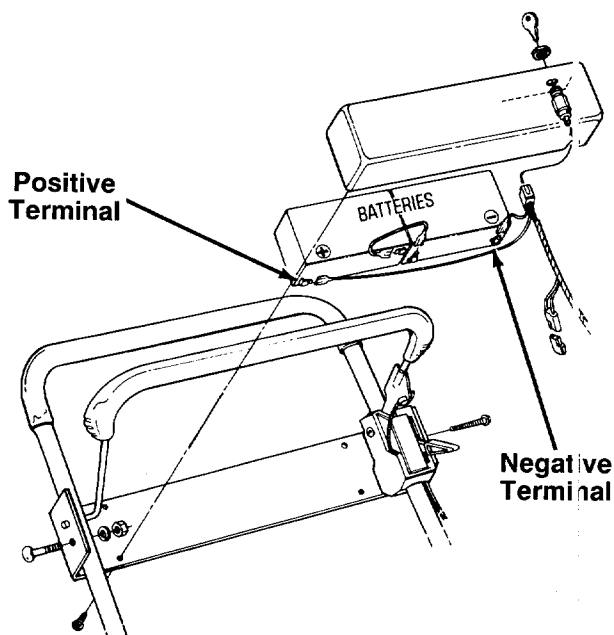


FIGURE 26.

Connect the two sides of the battery pack using the short wire lead. Connect the lead on the wire harness to the positive side of the battery pack, then connect the negative side.

IN-LINE FUSE

The unit is equipped with an in-line fuse. If unit fails to start, check the fuse in the wiring harness by turning the end of the fuse holder and pulling apart. See figure 27. Replace with a standard automotive 7½ amp fuse.

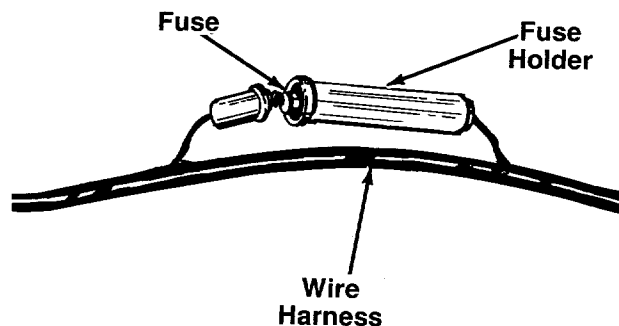


FIGURE 27.

CUTTING BLADE

A. Removal for Sharpening or Replacement



WARNING

Be sure to disconnect and ground the spark plug wire before working on the cutting blade to prevent accidental engine starting. Protect hands by using heavy gloves or a rag to grasp the cutting blade.

Remove the large bolt and lock washer which holds the blade and adapter to the engine crankshaft. Remove the blade and adapter from the crankshaft.

If the blade or blade adapter needs replacing, remove the two small bolts, lock washers and nuts which hold the blade to the adapter.



CAUTION

Periodically inspect the blade adapter for cracks, especially if you strike a foreign object. Replace when necessary.

B. Sharpening

Remove the cutting blade by following the directions of the preceding section.

When sharpening the blade, follow the original angle of grind as a guide. It is **extremely important** that each cutting edge receives an equal amount of grinding to prevent an unbalanced blade. An unbalanced blade will cause excessive vibration when rotating at high speeds, may cause damage to the mower and could break, causing personal injury.

It is recommended that the blade always be removed from the adapter for the best test of balance. The blade can be tested by balancing it on a round shaft screwdriver. Remove metal from the heavy side until it balances evenly.

C. Reassembly

Before reassembling the blade and the blade adapter to the unit, lubricate the engine crankshaft and the inner surface of the blade adapter with light oil. Lubricating the bolt holes, bolts and inner surface of the nuts with light oil is also recommended. A 4 oz. plastic bottle of light oil lubricant is available. Order part number 737-0170. Engine oil may also be used.

When replacing the blade, be sure to install the blade with the side of the blade marked "Bottom" (or with part number) facing the ground when the mower is in the operating position.

Blade Mounting Torque

3/8" Dia. Bolt 375 in. lb. min., 450 in. lb. max.

5/16" Dia. Bolt 150 in. lb. min., 250 in. lb. max.

To insure safe operation of your unit, **all** nuts and bolts must be checked periodically for correct tightness.

DECK

The underside of mower deck should be cleaned after each period of use as grass clippings, leaves, dirt and other matter will accumulate. This accumulation of grass clippings, etc., is undesirable as it will invite rust and corrosion and may cause an uneven discharge of grass clippings at the next cutting.

The deck may be cleaned by tilting the mower forward or on its side and scraping clean with a suitable tool or by washing with a stream of water from a garden hose.



NOTE

Do not direct the stream of water at a hot engine as damage to the engine may result.

ENGINE OIL

Check oil level before starting engine and after every 5 hours of operation. ADD oil as necessary to keep level to full mark on dipstick. Before removing dipstick, clean area around dipstick to prevent dirt from entering oil fill tube. Engine should be in a level position when checking oil.

Change oil after first 5 hours of operation. Thereafter change every 25 hours. Change oil while engine is warm. Oil may be drained thru oil drain on bottom of the engine. Oil capacity 1-1/4 pints.

AIR CLEANER

Service air cleaner every 25 hours under normal conditions. Clean every few hours under extremely dusty conditions. Poor engine performance and flooding usually indicates that the air cleaner should be serviced.

To service the air cleaner, refer to the separate engine manual packed with your unit.

SPARK PLUG

The spark plug should be cleaned and the gap reset once a season. Spark plug replacement is recommended at the start of each mowing season; check engine manual for correct plug type and gap specifications.

STORAGE OF THE BATTERY

The battery must be stored with a full charge. A discharged battery will freeze.



IMPORTANT

All batteries discharge during storage.

Recharge battery every two months and before returning to service. Refer to charging instructions on page 11.

BELT REMOVAL AND REPLACEMENT

1. Disconnect the spark plug wire and ground it.
2. Remove the grass bag, discharge chute and catcher panel. Refer to Assembly Instructions.
3. Remove the three screws which hold the belt guard (and idler assembly). See figure 28.

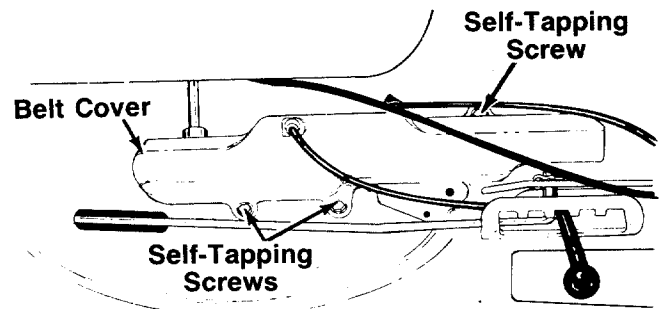


FIGURE 28.

4. Remove the belt from the pulley and engine pulley. See figure 29.

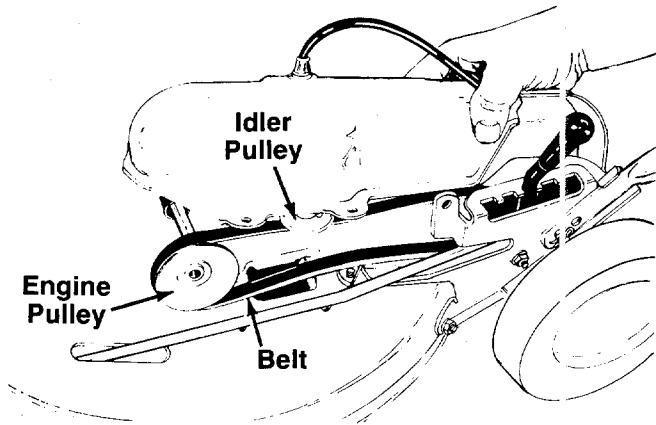


FIGURE 29.

5. Reassemble using the new belt, making certain the idler pulley is under the belt. See figure 30.

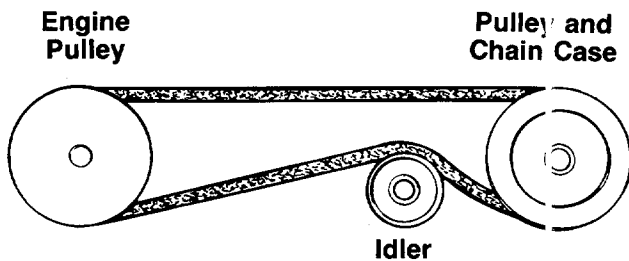


FIGURE 30.

OFF-SEASON STORAGE

The following steps should be taken to prepare lawn mower for storage.

1. Clean and lubricate mower thoroughly as described in the lubrication instructions.
2. Refer to engine manual for correct engine storage instructions.
3. Coat mower's cutting blade with chassis grease to prevent rusting.
4. Follow battery storage instructions on page 15.
5. Store mower in a dry, clean area.

NOTE

When storing any type of power equipment in an unventilated or metal storage shed, care should be taken to rustproof the equipment. Using a light oil or silicone, coat the equipment, especially cables and all moving parts.



The use of any accessory on this Rotary Mower other than those manufactured by the mower manufacturer is **not** recommended.

GRASS CATCHER Model 067 is available as replacement equipment for the mower shown in this manual.



1. DO NOT operate the mower with the chute door open unless the complete grass catcher is properly mounted on the mower.
2. DO NOT operate the mower without the protective shield on the rear of the deck in place.



Under normal usage bag material is subject to wear and should be checked periodically. Be sure any replacement bag complies with the mower manufacturer's recommendations.

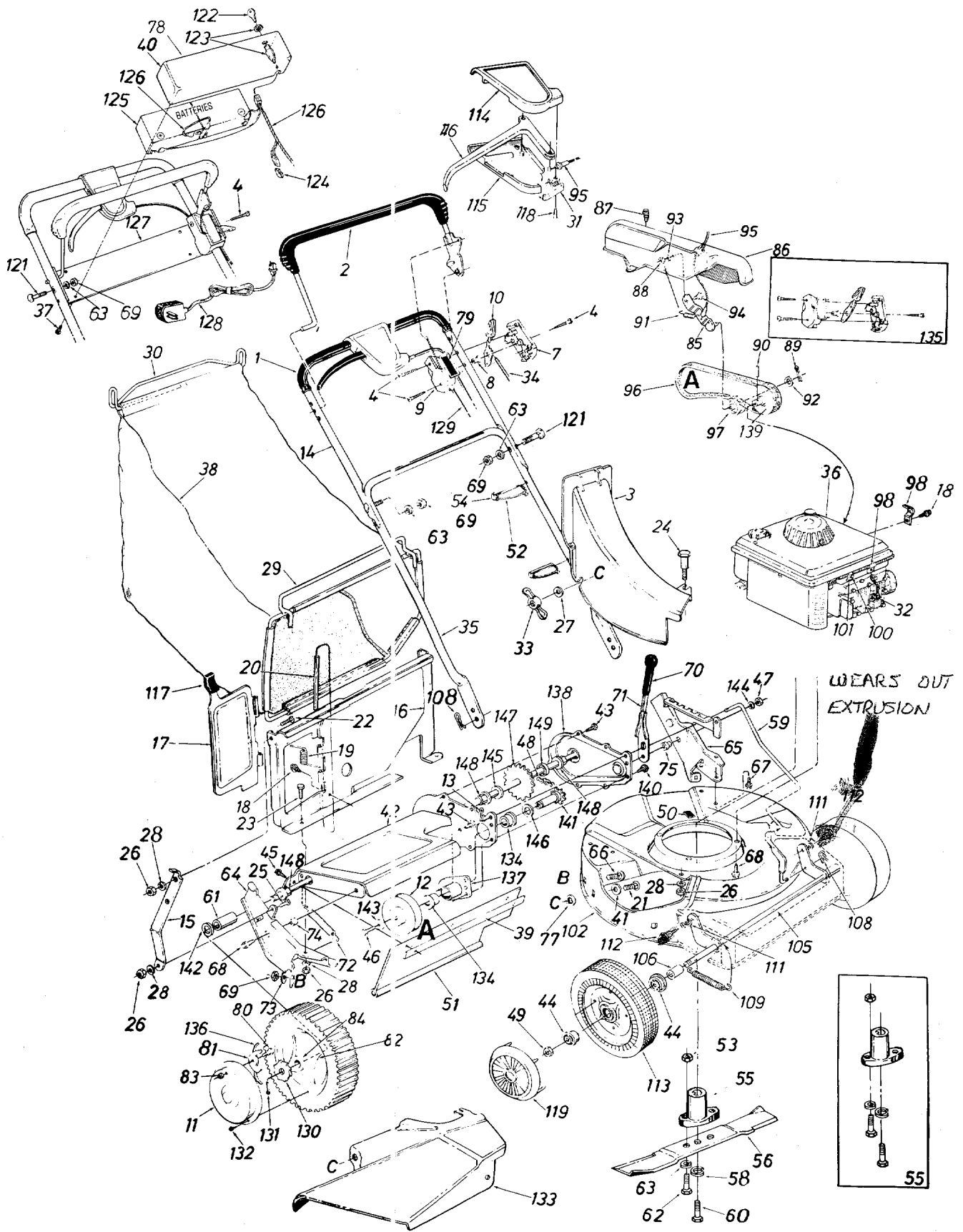
For replacement bags, use only factory authorized replacement bag No. 764-0212.

Trouble Shooting Chart

Problem	Cause	Remedy
1 Engine fails to start	A Blade control handle disengaged B Check fuel tank for gas C Fuel shut-off valve closed D Spark plug lead wire disconnected. E Throttle control lever not in the starting position F Faulty spark plug G Carburetor improperly adjusted, engine flooded H Old stale gasoline I Engine brake engaged J Discharged battery K Blown fuse	A Engage blade control handle. B Fill tank if empty. C Open fuel shut-off valve. D Connect lead wire. E Move throttle lever to start position. F Spark should jump gap between control electrode and side electrode. If spark does not jump, replace the spark plug. G Remove spark plug, dry the plug, crank engine with plug removed, and throttle in off position. Replace spark plug and lead wire and resume starting procedures. H Drain and refill with fresh gasoline. I Follow starting procedure. J Refer to battery charging instructions. K Replace fuse.
2 Hard starting or loss of power	A Spark plug wire loose B Carburetor improperly adjusted C Dirty air cleaner	A Connect and tighten spark plug wire. B Adjust carburetor. See separate engine manual. C Clean air cleaner as described in separate engine manual.
3 Operation erratic	A Dirt in gas tank B Dirty air cleaner C Water in fuel supply D Vent in gas cap plugged E Carburetor improperly adjusted	A Remove the dirt and fill tank with fresh gas. B Clean air cleaner as described in separate engine manual. C Drain contaminated fuel and fill tank with fresh gas. D Clear vent or replace gas cap. E Adjust carburetor. See separate engine manual.
4 Occasional skip (hesitates) at high speed	A Carburetor idle speed too slow B Spark plug gap too close C Carburetor idle mixture adjustment improperly set	A Adjust carburetor. See separate engine manual. B Adjust to .030". C Adjust carburetor. See separate engine manual.
5 Idles poorly	A Spark plug fouled, faulty, or gap too wide B Carburetor improperly adjusted C Dirty air cleaner	A Reset gap to .030" or replace spark plug. B Adjust carburetor. See separate engine manual. C Clean air cleaner as described in separate engine manual.
6 Engine overheats	A Carburetor not adjusted properly B Air flow restricted C Engine oil level low	A Adjust carburetor. See separate engine manual. B Remove blower housing and clean as described in separate engine manual. C Fill crankcase with the proper oil.
7 Excessive vibration	A Cutting blade loose or unbalanced B Bent cutting blade	A Tighten blade and adapter. Balance blade. B Replace blade.

Note: For repairs beyond the minor adjustments listed above, contact your local authorized service dealer.

Model 216



Model 216

PARTS LIST FOR MODEL 216 21" ROTARY MOWER

REF. NO.	PART NO.	COLOR CODE	DESCRIPTION	NEW PART	REF. NO.	PART NO.	COLOR CODE	DESCRIPTION	NEW PART
1	718-0145		Grip		55	753-0348		Blade Adapter Kit	
2	731-0609		Control Handle Ass'y.—L.H.		56	742-0289		21" Blade	
3	731-0733		Top Discharge Chute Ass'y.		58	736-0217		L-Wash. 3/8" I.D.—H.D.	
4	710-0796		Truss Mach. Scr. #12 x 1.50" Lg.		59	747-0496		Height Adj. Rod 19.42" Lg.	
7	731-0817		Control Panel Half	N	60	710-0331		Hex Bolt 3/8-24 x 2.25" Lg. (Grade 5)	
8	731-0524		Control Disc Pin		61	748-0191		Spacer .51" I.D. x .69" O.D. x .69" Lg.	
9	731-0816		Clutch Panel Half	N	62	710-0888		Hex Bolt 5/16-24 x 1.00" Lg. (Grade 5)	
10	731-0528		Throttle Control Lever		63	736-0119		L-Wash. 5/16" I.D.*	
11	10647		Hub Cap (Rear)		64	16136		R.H. Handle Wheel Brkt. Ass'y.	
12	756-0459		1/2" V-Pulley		65	16137		L.H. Handle Wheel Brkt. Ass'y.	
13	714-0507		Cotter Pin 3/32" Dia. x .75" *		66	710-0260		Carriage Bolt 5/16-18 x .62" *	
14	749-0436		Upper Handle—Chrome		67	710-0603		Hex Wash. Hd. B-Tap Scr. 5/16-18	
15	16541		Panel Support Brkt.	N	68	710-0654		Hex Wash. Hd. TT-Tap Scr. 3/8-16	
16	16140		Top Catcher Panel		69	712-0267		Hex Nut 5/16-18 Thd.*	
17	16145		Top Door		70	720-0143		Grip	
18	710-0429		Hex B-Tap Scr. #10 x .38"		71	732-0473	B	Height Adj. Lever	
19	732-0483		Torsion Spring		72	732-0481		Extension Spring .50" O.D. x 3.80" Lg.	
20	747-0514		Pivot Pin		73	736-0242		Bell-Wash. 5/16" I.D.	
21	710-0134		Carriage Bolt 1/4-20 x .62" *		74	750-0526		Spacer .385" I.D. x .502" O.D. x .270" Lg.	
22	710-0258		Truss Mach. Scr. 1/4-20 x .62" Lg.		75	750-0624		Shld. Spacer .500" Dia. x .100	
23	710-0289		Hex Bolt 1/4-20 x .50" Lg.*		77	726-0233		Bolt Retainer 1/4 x .50" O.D.	
24	738-0704		Shoulder Bolt .312 Dia. x .18 Lg. Special	N	78	777-5902		Instruction Label	N
25	710-0258		Hex Bolt 1/4-20 x .62" Lg.*		79	777-5773		Control Label	N
26	712-0287		Hex Nut 1/4-20 Thd.*		80	738-0137		Shld. Scr. .342" Dia. x .268	
27	736-0463		FI-Wash. .280" I.D. x .620"		81	748-0188		Pawl	
28	736-0329		L-Wash. 1/4" I.D.*		82	734-1260		Wheel Ass'y. Comp.—Rear 8 x 1.75	
29	747-0494		Front Grass Catcher Frame		83	712-0324		Hex Ins. L-Nut 1/4-20 Thd.	
30	747-0495		Grass Catcher Handle		84	741-0180		Flange Ball Bearing 1/2" I.D.	
31	731-0619		S.P. Control Cover		85	16134		Belt Idler Bracket Ass'y.	
32	735-0639		Spark Plug Insulator		86	16146		Belt Cover	
33	712-0109		Wing Nut		87	710-0599		Hex Wash. S-Tap Scr. 1/4-20 x .50" Lg.	
34	746-0633		Throttle Control Wire 58"	N	88	712-0287		Hex Nut 1/4-20 Thd.*	
35	749-0505		Lower Handle—Chrome		89	714-0115		Cotter Pin 1/8" Dia. x 1.00" Lg.*	
36	—		Engine		90	715-0247		Spring Pin Spir. 3/16" Dia. x 1.00" Lg.	
37	710-0969		Truss Mach. Hi-Riser Tap Scr. 1" Lg.	N	91	732-0357		Extension Spring .33" O.D. x 1.12" Lg.	
38	764-0212		21" Top Discharge Grass Bag		92	736-0160		FI-Wash. .531" I.D. x .930" O.D. x .050	
39	14835		Retaining Strip		93	736-0329		L-Wash. 1/4" I.D.*	
40	731-0809		Battery Tray	N	94	738-0255		Shld. Bolt .375" Dia. x .181	
41	736-0204		FI-Wash. .344" I.D. x .62"		95	746-0466		S.P. Cable x 53.0" Lg.	
42	16121		Chain—Axle Ass'y.		96	754-0104		"V"-Belt 1/2" x 32.0" Lg.	
43	710-0352		Hex B-Tap Scr. 1/4" x .38" Lg.		97	756-0360		FI-Idler Plastic 1.62" Dia.	
44	741-0180		Flange Ball Bearing 1/2" I.D.		98	12894		Casing Clamp	
45	710-0776		Hex AB-Tap Scr. 1/4 x .62"						
46	710-0875		Hex Wash. TT-Tap Scr. 1/4-20						
47	712-0296		Hex Patch L-Nut 3/8-24 Thd.						
48	713-0353		#48 Chain .500" Pitch x .30 Links						
49	712-0346		Hex L-Nut 1/2-20 Thd.						
50	731-0564		Plug						
51	731-0671	0672	Rear Flap 3.75" x 17.30" Lg.						
52	725-0157		Cable Tie						
53	712-0123		Hex Nut 5/16-24 Thd.*						
54	726-0241		Cable Anchor	N					

Model 216

PARTS LIST FOR MODEL 216 21" ROTARY MOWER (CONTINUED)

REF. NO.	PART NO.	COLOR CODE	DESCRIPTION	NEW PART	REF. NO.	PART NO.	COLOR CODE	DESCRIPTION	NEW PART
100	710-0436		Hex B-Tap Scr. #10 x .62"		131	714-0115		Cotter Pin 1/8" Dia. x 1.00" Lg.*	
101	751-0442		Casing Clamp	N					
102	16126	462	21" Deck Ass'y.		132	710-0748		Pan Hd. Tap Scr. #12 x .50" Lg.	
105	10662		Front Axle Ass'y.						
106	711-0313		Sleeve .526" I.D. x .690" O.D. x .880" Lg.		133	16559	462	Side Chute Deflector Ass'y.	N
108	714-0104		Intern. Cotter Pin 5/16" Dia.		134	748-0249		Flange Bushing	
109	732-0482		Extension Spring .50" O.D. x 3.20" Lg.		135	753-0430		Kit—Control Housing Comp.	
111	736-0221		Intern. L-Wash. 3/8 I.D.*		136	10622		Spring—Nylon	
112	738-0615		Shld. Bolt .623" Dia. x .425		137	16118		Bearing Hub Flange Ass'y.	
113	734-0922		Front-Wheel Ass'y. Comp. 7 x 1.50		138	16119		Chain Cover	
114	731-0617		Self-Propelled Control Cover		139	756-0460		Engine Pulley 1/2"	
115	731-0618		Self-Propelled Control Cover		140	710-0599		Hex Wash. S-Tap Scr. 1/4-20 x .50" Lg.	
116	731-0620		Control Lever		141	713-0355		Sprocket—Shaft Ass'y.	
117	720-0208		Door Grip		142	736-0160		Fl-Wash. .531" I.D. x .93" O.D.	
118	710-0841		Fl-"C"-Sunk Hd. Tap Scr. #10 x .75" Lg.		143	736-0270		Bell-Wash. .265" I.D. x .75" O.D.	
119	**		Hub Cap—Plastic		144	736-0300		Fl-Wash. .385" I.D. x .87" O.D.	
121	710-0671		Curved Carr. Bolt 5/16-18 x 1.38" Lg.		145	736-0326		Fl-Wash. .51" I.D. x 1.0" O.D.	
122	725-0201		Ignition Key		146	736-0254		Fl-Wash. .62" I.D. x 1.12" O.D.	
123	725-0873		Ignition Switch		147	738-0614		Rear Shaft Ass'y. 22.05" Lg.	
124	725-1206		Plug	N	148	741-0324		Hex Flange Bearing .506" I.D. Plastic	
125	725-1105		Battery Pack		149	748-0301		Spacer .510" I.D. x 1.00" O.D. x .210" Lg.	
126	725-1230		Wire Harness	N				Hardware Pack	
127	16542		Lower Battery Tray	N					
128	725-0727		Battery Charger						
129	746-0477		Control Cable—43" Lg.						
130	748-0187		Ratchet Wheel 1.62" O.D.			8216-000-6			

*For faster service obtain standard nuts, bolts and washers locally. If these items cannot be obtained locally, order by part number and size as shown on parts list.

NOTE

Specifications subject to change without notice or obligation.

If color or finish is important when ordering parts, use the appropriate color code shown below [i.e. (part no.)-462 for Red Flake Finish].

**Optional Hub Caps	
Color	Part No.
Red	731-0124
Orange	731-0254
Black	731-0354
Gray	731-0355

Color Codes	
312—White	463—Topflite Red
436—Radiant Yellow	480—Brilliant Green
452—Black	483—Charcoal Grey
456—Radiant Tangerine	499—Beige
462—Red Flake	623—Silver Mist

PARTS INFORMATION

POWER EQUIPMENT PARTS AND SERVICE

Parts and service are available through the authorized service firms listed below. All orders should specify the model number of your unit, part numbers, description of parts and the quantity of each part required.

NOTE: If any parts are found to be missing or defective upon assembly of this unit, write to advise the factory so that immediate replacement can be made.

ALABAMA Auto Electric & Carburetor Co.	BIRMINGHAM 2625 4th Ave. S.	35233	NORTH CAROLINA Smith Hardware Co.	GOLDSBORO 515 N. George St.	27530
ARKANSAS Sutton's Lawn Mower Shop	NORTH LITTLE ROCK 5301 Roundtop Drive Box 368, Rt. 4	72117	Dixie Sales Company	GREENSBORO 335 N. Green	27402
CALIFORNIA Billious	PORTERVILLE 75 North D Street	93257	OHIO Stebe's Mid-State Mower Supply	CARROLL Box 366, 71 High St.	43112
COLORADO Spitzer Industrial Products Co.	DENVER 6601 N. Washington St.	30229	Bleckrie, Inc.	CLEVELAND 7900 Lorain Ave.	44102
FLORIDA Radco Distributors	JACKSONVILLE 4909 Victor St. Box 5459	32207	National Central	WADSWORTH 687 Seville Rd.	44281
Small Eng. Dist.	HIALEAH 7995 W. 26th Court	33016	Burton Supply Co.	YOUNGSTOWN 1301 Logan Ave. Box 929	44501
GEORGIA East Point Cycle & Key Inc.	EAST POINT 2834 Church St.	30344	OKLAHOMA Victory Motors, Inc.	MUSKOGEE 605 S. Cherokee	74401
ILLINOIS Keen Edge Co.	LYONS 8615 Ogden Ave.	60534	OREGON Kenton Supply Co.	PORTLAND 8216 N. Denver Ave.	97217
INDIANA Parts & Sales Inc.	ELKHART 2101 Industrial Pkwy.	46516	PENNSYLVANIA EECO Inc.	HARRISBURG 4021 N. 6th St.	17110
IOWA Power Lawn & Garden Equip.	DUBUQUE 2551 J.F. Kennedy	52001	Thompson Rubber Co.	WILLOW GROVE 850 Davisville Rd.	19090
LOUISIANA Suhren Engine Co.	NEW ORLEANS 8330 Earhart Blvd.	70118	Bluemont Co.	PITTSBURGH 11125 Frankstown Rd.	15235
MARYLAND Center Supply Co.	TAKOMA PARK 6867 New Hampshire Ave.	20912	Frank Roberts & Sons	PUNXSUTAWNEY R.D. 2	15767
MASSACHUSETTS Morton B. Collins Co.	SPRINGFIELD 300 Birnie Ave.	01107	Scranton Auto Ignition Co.	SCRANTON 1133-35 Wyoming Ave.	18509
MICHIGAN Lorenz Service Co.	LANSING 2500 S. Pennsylvania	48910	TENNESSEE Ace Distributors	KNOXVILLE 2103 Magnolia	37919
Power Equipment Dist.	MOUNT CLEMENS 340 Hubbard	48043	American Sales & Service, Inc.	MEMPHIS 3035-43 Bellbrook	38116
MINNESOTA Hance Distributing Inc.	HOPKINS 420 Excelsior Ave. W.	55343	TEXAS Marr Brothers, Inc.	DALLAS 423 E. Jefferson	75203
MISSOURI Automotive Equip. Service	KANSAS CITY 3117 Holmes St.	64109	Woodson Sales Corp.	FORT WORTH 6733 Baker Blvd. Hwy. 10	76118
Ross-Frazier Supply Co.	ST. JOSEPH 8th and Monterey	64503	Bullard Supply Co.	HOUSTON 2409 Commerce St.	77003
Henzler, Inc.	ST. LOUIS 2015 Lemay Ferry Rd.	63125	Engine House Inc.	SAN ANTONIO 8610 Botts Lane P.O. Box 17867	78217
NEW JERSEY Lawnmower Parts Inc.	BELLMAWR 717 Creek Rd.	08030	UTAH Powered Products	SALT LAKE CITY 1661 N. Beck St.	84116
NEW MEXICO Spitzer Eng. & Parts Co.	ALBUQUERQUE 1023 Third Ave. N.W.	87103	VIRGINIA RBI Corp.	ASHLAND 101 Cedar Ridge Dr.	23005
NEW YORK Gamble Dist., Inc.	CARTHAGE West End Ave.	13619	WASHINGTON Equip. Northwest	SEATTLE 1410 14th Ave.	98122
			WISCONSIN Wisconsin Magneto Inc.	MILWAUKEE 4727 N. Teutonia St.	53209

WARRANTY PARTS AND SERVICE POLICY

(0685)

The purpose of warranty is to protect the customer from defects in workmanship and materials, defects which are NOT detected at the time of manufacture. It does not provide for the unlimited and unrestricted replacement of parts. Use and maintenance are the responsibility of the customer. The manufacturer cannot assume responsibility for conditions over which it has no control. Simply put, if it's the manufacturer's fault, it's the manufacturer's responsibility; if it's the customer's fault, it's the customer's responsibility.

CLAIMS AGAINST THE MANUFACTURER'S WARRANTY INCLUDES:

1. Replacement of Missing Parts on new equipment.
2. Replacement of Defective Parts within the warranty period.
3. Repair of Defects within the warranty period.

All claims MUST be substantiated with the following information:

1. Model Number of unit involved.
2. Date unit was purchased or first put into service.
3. Date of failure.
4. Nature of failure.

MTD PRODUCTS INC • P.O. BOX 36900 • CLEVELAND, OHIO 44136

Free Manuals Download Website

<http://myh66.com>

<http://usermanuals.us>

<http://www.somanuals.com>

<http://www.4manuals.cc>

<http://www.manual-lib.com>

<http://www.404manual.com>

<http://www.luxmanual.com>

<http://aubethermostatmanual.com>

Golf course search by state

<http://golfingnear.com>

Email search by domain

<http://emailbydomain.com>

Auto manuals search

<http://auto.somanuals.com>

TV manuals search

<http://tv.somanuals.com>