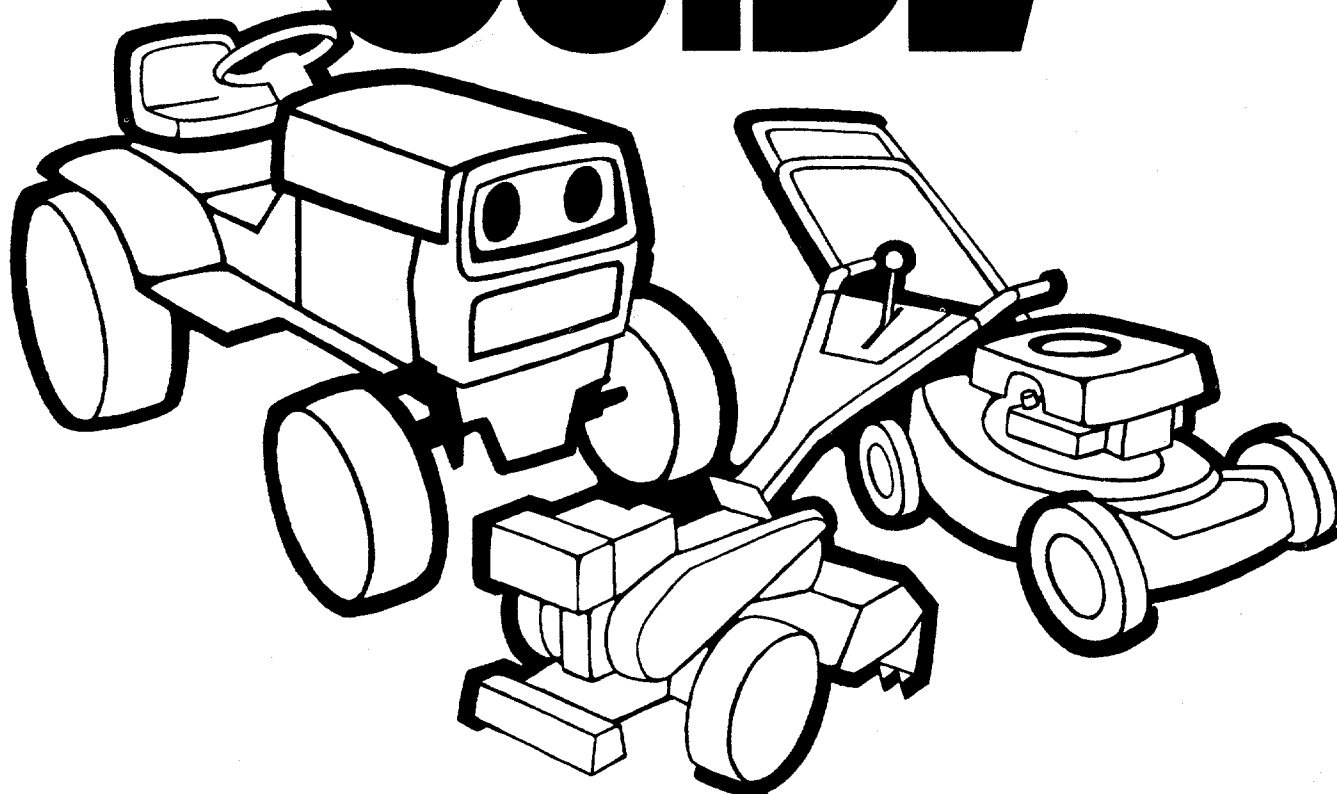


OWNER'S GUIDE



**ASSEMBLY
OPERATION
MAINTENANCE
PARTS LIST**

**IMPORTANT:
Read Safety Rules
and Instructions**

MODEL NUMBERS

**130-400A
130-400-300**

**26"
RIDING
MOWERS**

SINGLE SPEED

LIMITED WARRANTY

For one year from the date of original retail purchase, MTD PRODUCTS INC will either repair or replace, at its option, free of charge, F.O.B. factory or authorized service firm, any part or parts found to be defective in material or workmanship. Transportation charges for any parts submitted for replacement under this warranty must be paid by the purchaser unless such return is requested by MTD PRODUCTS INC.

This warranty will not apply to any part which has become inoperative due to misuse, excessive use, accident, neglect, improper maintenance, alterations, or unless the unit has been operated and maintained in accordance with the instructions furnished. This warranty does not apply to the engine, motor, battery, battery charger or component parts thereof. Please refer to the applicable manufacturer's warranty on these items.

This warranty will not apply where the unit has been used commercially.

Warranty service is available through your local authorized service dealer or distributor. If you do not know the dealer or distributor in your area, please write to the Customer Service Department of MTD.

The return of a complete unit will not be accepted by the factory unless prior written permission has been extended by MTD.

This warranty gives you specific legal rights. You may also have other rights which vary from state to state.



TO PURCHASERS OF INTERNAL COMBUSTION ENGINE EQUIPPED MACHINERY OR DEVICES IN THE STATE OF CALIFORNIA

The equipment which you have just purchased does not have a spark arrester. If this equipment is used on any forest covered land, brush covered land, or grass covered unimproved land in the State of California, before using on such land, the California law requires that a spark arrester be provided. In addition, spark arrester is required by law to be in effective working order. The spark arrester must be attached to the exhaust system and comply with Section 4442 of the California Public Resources Code.

IMPORTANT

It is suggested that this manual be read in its entirety before attempting to assemble or operate. Keep this manual in a safe place for future reference and for ordering replacement parts.

This unit is shipped **WITHOUT GASOLINE or OIL**. After assembly, see operating section of this manual for proper fuel and amount.

This unit is a precision piece of power equipment, not a plaything. Therefore exercise extreme caution at all times.

SAFE OPERATION PRACTICES FOR RIDING VEHICLES

1. Know the controls and how to stop quickly—**READ THE OWNER'S MANUAL.**
2. Do not allow children to operate vehicle. Do not allow adults to operate it without proper instruction. Only persons well acquainted with these rules of safe operation should be allowed to use your mower.
3. Do not carry passengers
4. Keep the area of operation clear of all persons, particularly small children and pets. Stop engine when they are in the vicinity of your mower. Although the area of operation should be completely cleared of foreign objects, a small object may have been overlooked and could be accidentally thrown by the mower in any direction.
5. Clear work area of objects which might be picked up and thrown by the mower in any direction.
6. Disengage all attachment clutches and shift into neutral before attempting to start engine.
7. Disengage power to attachment(s) and stop engine before leaving operating position.
8. Disengage power to attachment(s) and stop engine before making any repairs or adjustments. Disconnect the spark plug wire and keep the wire away from the plug to prevent accidental starting.
9. Before attempting to unclog the mower or discharge chute, stop the engine and be sure the blade(s) have stopped completely. Disconnect the spark plug wire and keep the wire away from the plug to prevent accidental starting.
10. Disengage power to attachment(s) when transporting or not in use.
11. Take all possible precautions when leaving vehicle unattended such as disengaging power-take-off, lowering attachments, shifting into neutral, setting parking brake, stopping engine and removing key.
12. Do not stop or start suddenly when going uphill or downhill. Mow up and down face of steep slopes; never across the face.
13. Reduce speed on slopes and in sharp turns to prevent tipping or loss of control. Exercise extreme caution when changing direction on slopes.
14. Stay alert for holes in terrain and other hidden hazards.
15. Use care when pulling loads or using heavy equipment.
 - A. Use only approved drawbar hitch points.
 - B. Limit loads to those you can safely control.
 - C. Do not turn sharply. Use care when backing.
- D. Use counterweight(s) or wheel weights when suggested in owner's manual.
16. Watch out for traffic when crossing or near roadways.
17. When using any attachments, never direct discharge of material toward bystanders nor allow anyone near vehicle while in operation.
18. Handle gasoline with care. It is highly flammable.
 - A. Use approved gasoline container.
 - B. Never remove cap or add gasoline to a running or hot engine or fill fuel tank indoors. Wipe up spilled gasoline.
 - C. Open doors if engine is run in garage. Exhaust fumes are dangerous. Do not run engine indoors.
19. Keep the vehicle and attachments in good operating condition, and keep safety devices in place. Use guards as instructed in owner's manual.
20. Keep all nuts, bolts, and screws tight to be sure the equipment is in safe working condition.
21. Never store the equipment with gasoline in the tank inside a building where fumes may reach an open flame or spark. Allow engine to cool before storing in any enclosure.
22. To reduce fire hazard, keep engine free of grass, leaves or excessive grease.
23. The vehicle and attachments should be stopped and inspected for damage after striking a foreign object. The damage should be repaired before restarting and operating the equipment.
24. Do not change the engine governor settings or overspeed the engine.
25. When using the vehicle with mower, proceed as follows:
 - (1) Mow only in daylight or in good artificial light.
 - (2) Never make a cutting height adjustment while engine is running if operator must dismount to do so.
 - (3) Shut the engine off and wait until the blade comes to a complete stop before removing the grass catcher.
 - (4) Check blade mounting bolts for proper tightness at frequent intervals.
26. Check grass catcher bags frequently for wear or deterioration. For safety protection, replace only with new bag meeting original equipment specifications.
27. Look behind to make sure the area is clear before placing the transmission in reverse and backing up.

INDEX

Limited Warranty.....	2	Storage.....	14
Safe Operation Practices.....	3	Trouble Shooting Chart.....	15
Assembly Instructions.....	5	Electrical Diagram.....	16
Controls.....	7	Exploded View of Transmission.....	17
Operating Instructions.....	9	Repair Parts for Mower.....	18-23
Maintenance and Adjustments.....	10	Exploded View of Differential.....	24
Belt Removal.....	12	Parts Information.....	Back Cover
Lubrication.....	14		

GRASS CATCHER Model No. 190-015A is available as optional equipment for the mowers shown in this manual.



The mower should not be operated without the entire grass catcher or chute deflector in place.



Under normal usage bag material is subject to wear, and should be checked periodically. Be sure any replacement bag complies with the mower manufacturer's recommendations.

For replacement bags, use only factory authorized replacement bag No. 764-0121.



After striking a foreign object, stop the engine. Remove wire from spark plug, thoroughly inspect the mower for any damage, and repair the damage before restarting and operating the mower.

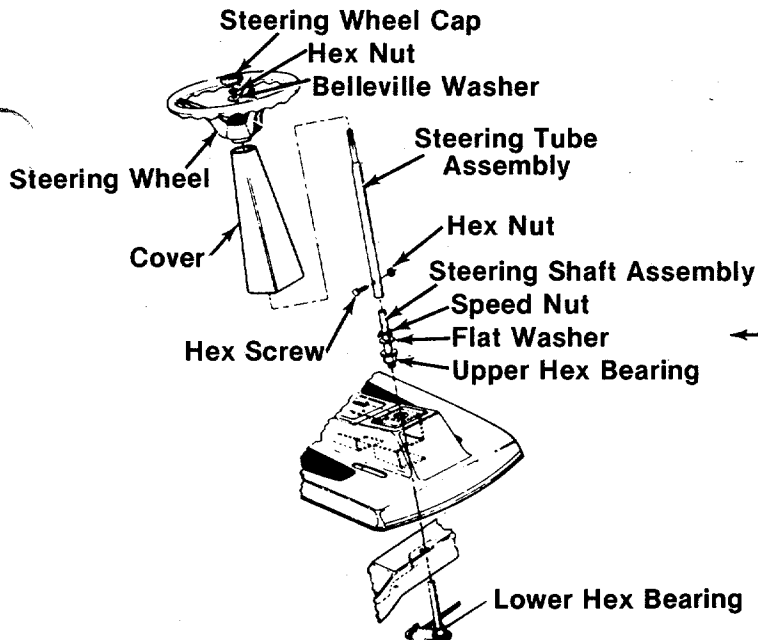


FIGURE 1. STEERING ASSEMBLY

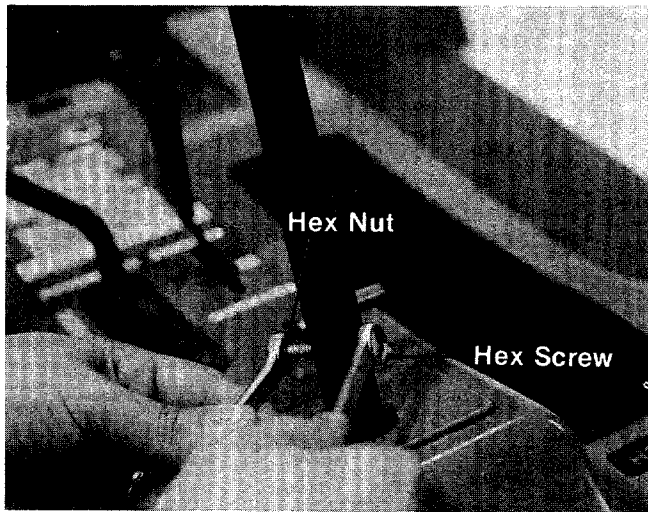


FIGURE 2. STEERING TUBE ASSEMBLY

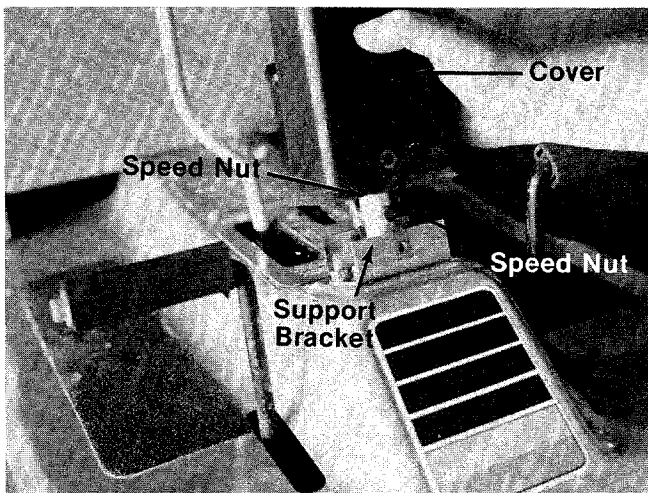


FIGURE 3.

ASSEMBLY INSTRUCTIONS



Reference to right-hand or left-hand side of machine is from the driver's seat facing forward.

← **STEERING WHEEL ASSEMBLY (See figures 1, 2 and 3)**



Due to vibration during shipment, it is possible that the steering shaft on your unit may have dropped to a position where alignment of parts is difficult. This must be kept in mind during the assembly operation.

1. Check the upper and lower hex bearings. Be sure they are seated and in position. See figure 1.
2. Place your hand under the front of the unit. Push up on the steering shaft assembly.
3. Hold up the shaft assembly. Place the steering tube assembly on the shaft and start the hex screw through the hole. See figure 2.
4. Fasten the tubing assembly to the steering shaft assembly with hex screw and hex nut provided.

5. Place two speed nuts on support bracket as shown in figure 3.
6. Place the cover over the steering tube assembly. Line up holes in cover with speed nuts. See figure 3.

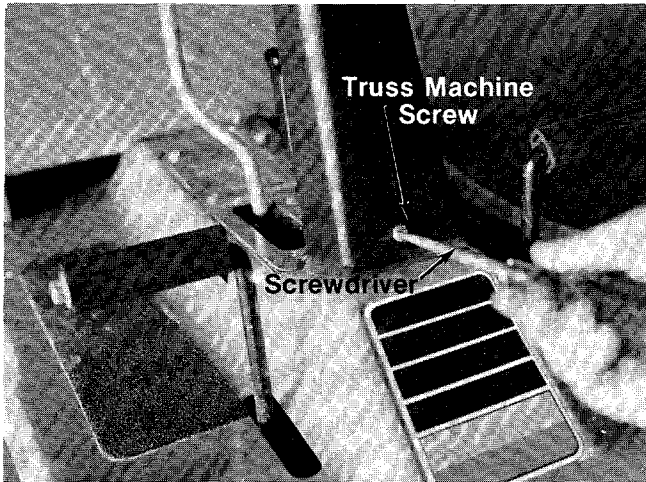


FIGURE 4.

- ← 7. Secure cover to support bracket with two truss machine screws provided. See figure 4.

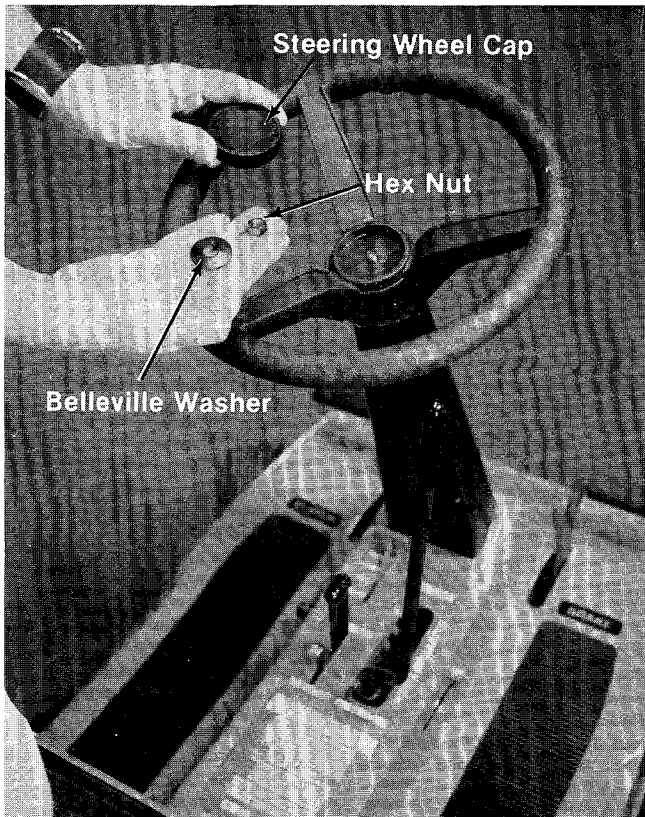


FIGURE 5. STEERING WHEEL ASSEMBLY

8. Place the steering wheel on the tubing assembly and fasten with belleville washer and hex nut. See figure 5.
- ← 9. Again, it may be necessary to raise the steering shaft assembly in order to put the hex nut on.
10. Place the steering wheel cap on by hand. See figure 5.

SEAT ASSEMBLY

To secure seat to cover assembly, line up the four holes in bottom of seat with four corresponding holes in cover. Then insert four hex screws 1/4-20 x 1/2" long up through holes, tightening with an adjustable wrench.

TIRE PRESSURE

FOR SHIPPING PURPOSES, THE TIRES ON YOUR UNIT MAY BE OVER-INFLATED. TIRE PRESSURE SHOULD BE REDUCED BEFORE UNIT IS PUT INTO OPERATION. PRESSURE SHOULD BE APPROXIMATELY 15 P.S.I. EQUAL TIRE PRESSURE SHOULD BE MAINTAINED ON ALL TIRES. MAXIMUM TIRE PRESSURE IS 30 P.S.I.



CAUTION

Installation of tire to rim:

1. Lubricate tire beads and rim flanges.
2. Do not exceed 30 P.S.I. when seating beads.
3. Adjust to recommended pressure after beads are sealed.

CONTROLS (See figures 6 and 9)

This manual should be read in its entirety before you operate your riding mower. The more you know and understand about the machine and its operation, the better job it will do for you. While reading the manual, compare the illustrations with your mower to familiarize yourself with the locations of various controls, lubrication points, attachments and adjustment features.

Study the operating instructions and safety precautions thoroughly to insure proper functioning of your mower and to prevent injury to yourself and others. Be sure to save this manual for future reference.

THROTTLE CONTROL

The throttle control is used to regulate the engine speed and to activate the choke on the engine. To get the maximum efficiency on cutting, the throttle should be in the "FAST" position when operating the mower. Pushing the throttle all the way forward, past "FAST", will choke the engine.

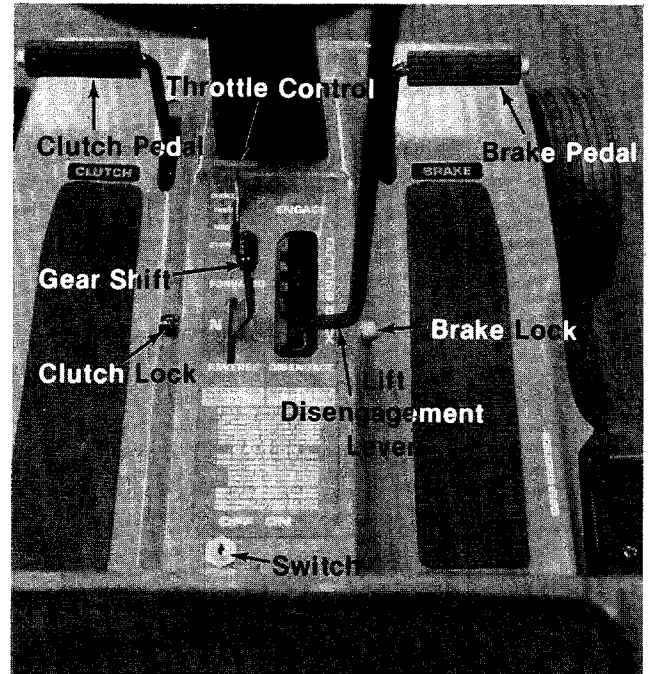


FIGURE 6. CONTROLS

IGNITION KEY

Recoil Model. The key must be turned to the "ON" position before the recoil handle is pulled to start the engine. Turn the key to the left (to the "OFF" position) to stop the engine. Remove the key when the mower is not in use.

LIFT AND DISENGAGEMENT LEVER

The lift and disengagement lever is used to raise and lower the cutting deck, set the cutting height, and disengage the cutting blades.

Move the lever to the right and move the lever all the way back and lock it to disengage the blades. The lever may be set in any one of the five cutting height positions.

INTERLOCKS (Not Shown)

An interlock safety switch is located on the clutch pedal and the lift and disengagement lever. The clutch pedal must be depressed and locked.

The lift and disengagement lever must be in the "STOP" position (all the way back) before the engine can be started. Failure to follow these instructions will prevent starting.

GEAR SHIFT LEVER

The gear shift lever has three positions, "FORWARD", "NEUTRAL" and "REVERSE." The clutch pedal must be depressed and the riding mower must not be moving when shifting gears. Do not force the shift lever. Release the clutch pedal slightly to line up the shifting collar in the transmission. Then try to shift gears.

BRAKE

To operate the brake, depress the right pedal all the way. To lock the brake in park position, depress the right pedal all the way and lift the brake lock. Pedal will stay in the depressed position. To release the parking brake, depress the pedal.

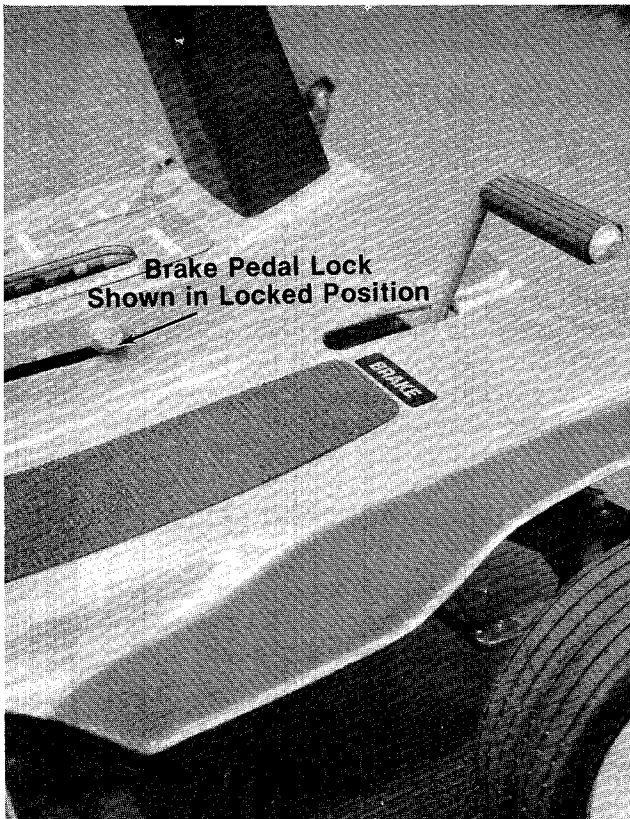


FIGURE 7. BRAKE PEDAL LOCK

CLUTCH PEDAL

The clutch pedal is located on the left side. When depressed, it disengages the engine from the transmission. It can be held in the disengaged position by lifting the clutch lock. To stop the mower, depress the clutch and brake pedals. See figure 8.

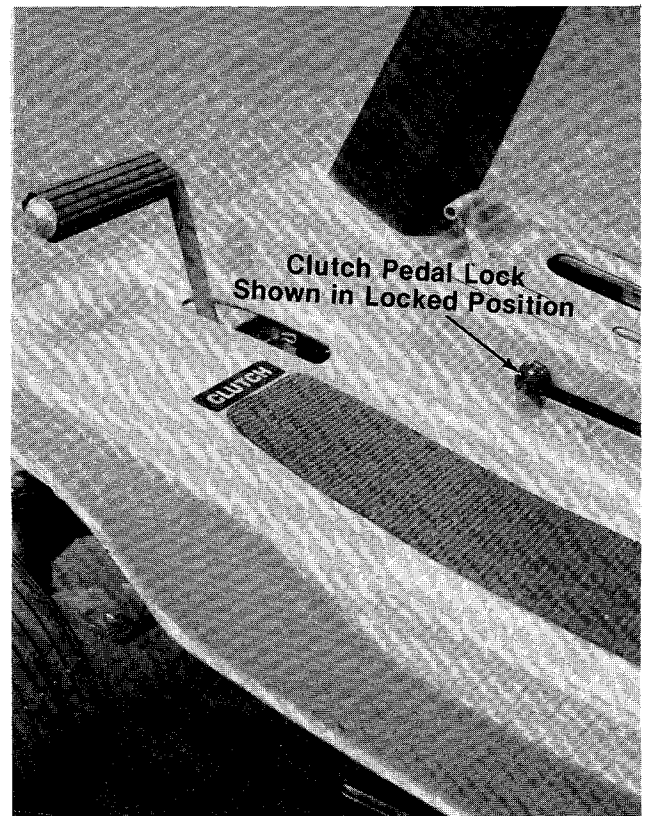


FIGURE 8. CLUTCH PEDAL LOCK

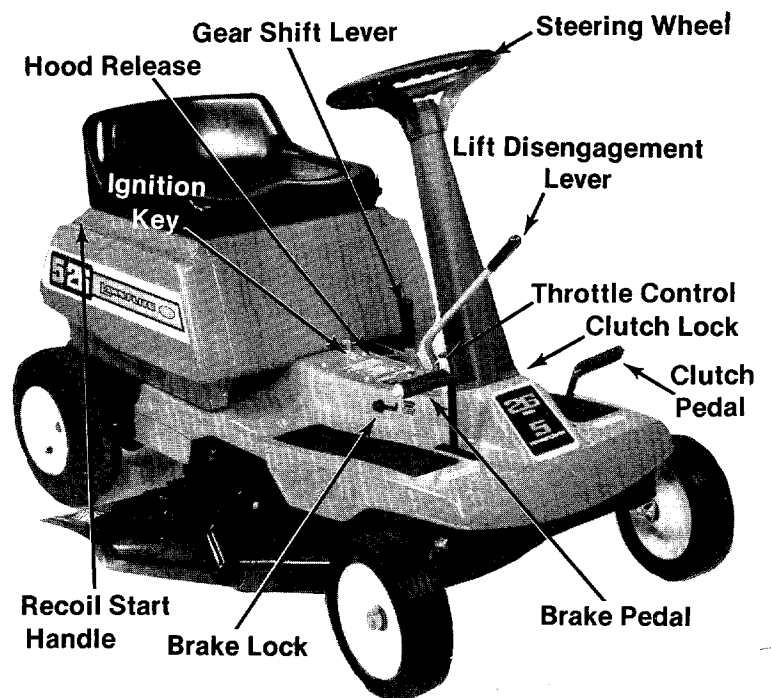


FIGURE 9. CONTROLS

OPERATING INSTRUCTIONS

CAUTION

1. KEEP ALL SHIELDS & GUARDS IN PLACE
2. BEFORE LEAVING OPERATOR'S POSITION:
SHIFT CONTROLS INTO NEUTRAL
SET PARKING BRAKE
DISENGAGE ATTACHMENT DRIVE
SHUT ENGINE OFF
REMOVE IGNITION KEY
3. WAIT FOR ALL MOVEMENT TO STOP BEFORE SERVICING MACHINE
4. KEEP PEOPLE & PETS A SAFE DISTANCE AWAY FROM MACHINE

CAUTION

DO NOT OPERATE MOWER UNLESS GUARD OR ENTIRE GRASS CATCHER IS IN ITS PROPER PLACE.



CAUTION

Parking brake **must** be disengaged before unit is put into motion.



NOTE

Unit is equipped with separate brake and clutch pedals. To efficiently stop, it is necessary to disengage the clutch when applying the brakes.

STARTING THE ENGINE

1. Be sure the crankcase is filled with oil as recommended in the engine manual and put regular gasoline in the gasoline tank.
2. Attach the wire to the spark plug.
3. Depress the clutch pedal and lock it down.
4. Move the lift and disengagement lever back to the disengaged position and lock it.
5. Set the throttle control lever in the "CHOKE" position.

6. Turn the ignition key to the "ON" position. Twist the recoil starter handle until it is free and pull it with a quick steady motion. After the engine starts, return the recoil starter handle. Twist it until it locks. See figures 10 and 11.



NOTE

If these instructions are not followed, the engine will stop running when the clutch or blades are engaged.

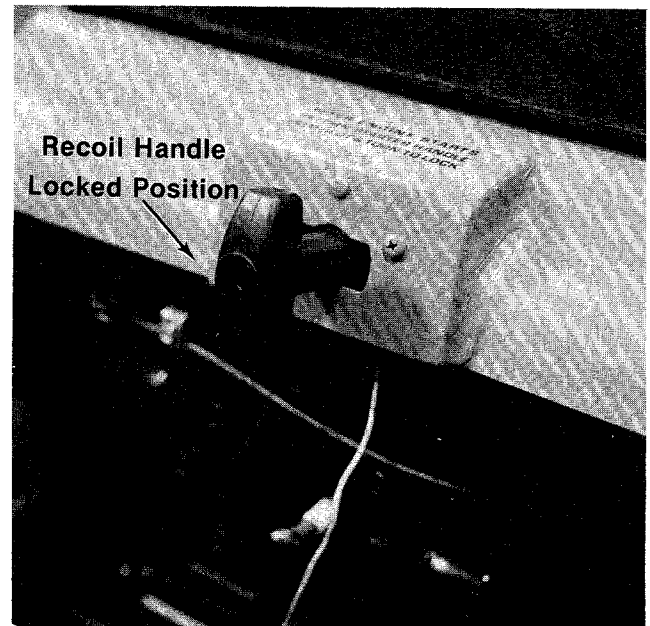


FIGURE 10. RECOIL HANDLE

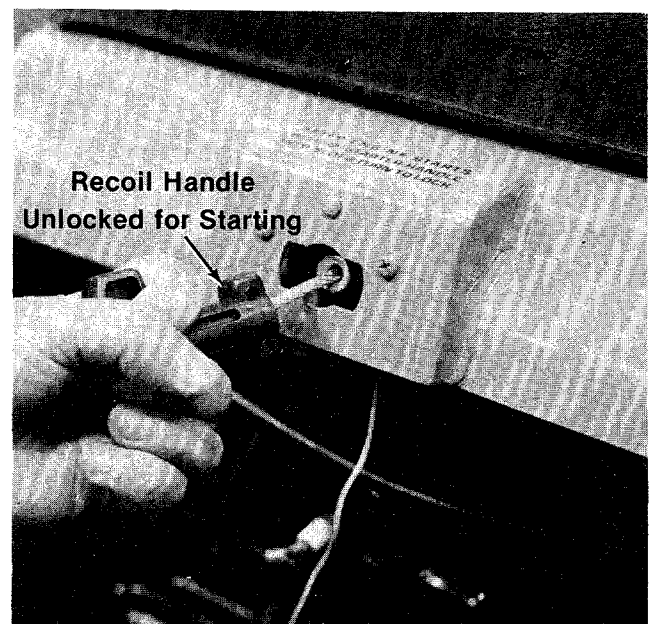


FIGURE 11. RECOIL HANDLE

Slowly return the throttle to the running position as soon as the engine starts.

7. To stop, turn the ignition key to the "OFF" position. Remove the key when the rider is not in use.

PUTTING THE RIDING MOWER IN MOTION

1. Advance the throttle control from $\frac{3}{4}$ to full throttle to prevent strain on the engine and to operate the cutting blades.
2. Place the gear shift lever in either the "FORWARD" or "REVERSE" position.
3. Slowly release the clutch pedal.
4. To stop, depress the clutch and the brake pedals.
5. The blades can be engaged either while moving or while standing still. Move the lift and disengagement lever forward slowly until the blades are running.

STOPPING

Engine—Turn the ignition key to the left to the "OFF" position.

Rider—Depress the clutch and brake pedals.

Blades—Pull the lift and disengagement lever all the way back and lock it.

MAINTENANCE AND ADJUSTMENTS

THROTTLE CONTROL

To Check Operation:

1. Remove air cleaner.
2. Move throttle control lever to "CHOKE" position. The carburetor choke should be closed.
3. Move throttle control lever to "STOP" position. Lever should make good contact with stop switch.

To Adjust: See figure 12.

Place remote control lever on equipment in "FAST" (high speed) position.

Lever C on carburetor should be just touching choke arm at D. To adjust, loosen casing clamp screw A on blower housing. Move control casing B forward or backward until correct position is obtained. Tighten screw A.

Recheck operation of controls after adjustment. Replace air cleaner.

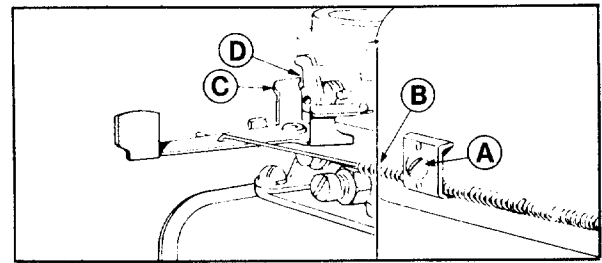


FIGURE 12. THROTTLE CONTROL ADJUSTMENT



If any adjustments are made to the engine while the engine is running (e.g. carburetor), disengage all clutches and blades. Keep clear of all moving parts. Be careful of heated surfaces and muffler.

CARBURETOR ADJUSTMENTS See figure 13.

Minor carburetor adjustment may be required to compensate for differences in fuel, temperature, altitude and load.

Initial Adjustment:

Turn needle valve clockwise to close it. Then open 2 turns. This initial adjustment will permit the engine to be started and warmed up before making final adjustment.

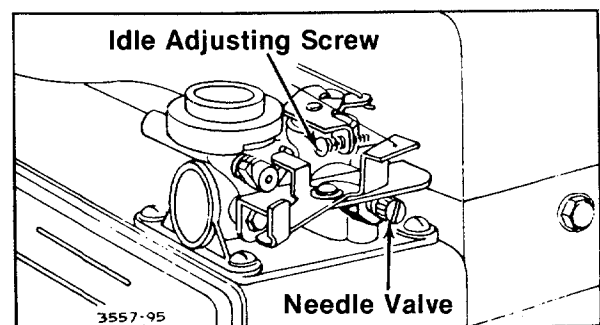


FIGURE 13. CARBURETOR ADJUSTMENT

Final Adjustment:

With engine running at normal operating speed (approximately 3000 RPM without load), turn needle valve clockwise until engine starts to lose speed (lean mixture). Then slowly turn needle valve counterclockwise past the point of smoothest operation, until engine just begins to run unevenly. This mixture will give best performance under load.

To check adjustment, move engine control from "SLOW" to "FAST" speed. If engine tends to stall or die out, it usually indicates that the mixture is slightly lean and it may be necessary to open the needle valve slightly to provide a richer mixture. This richer mixture may cause a slight unevenness in idling.

CHAIN ADJUSTMENT See figure 14.

After the first five hours of operation the initial slack should be removed from the chain. The chain should be tight enough so that it deflects approximately 1/2" when it is depressed with the thumb.

To Adjust:

The adjusting bolt is located under the frame, above the cutting deck on the right side of the mower.

Turn the adjusting bolt clockwise with an open end wrench until the chain reaches the proper tension.

NOTE

If the transmission mounting plate will not slide forward to adjust the chain tension, it may be necessary to loosen the four nuts mounting the transmission to the frame.

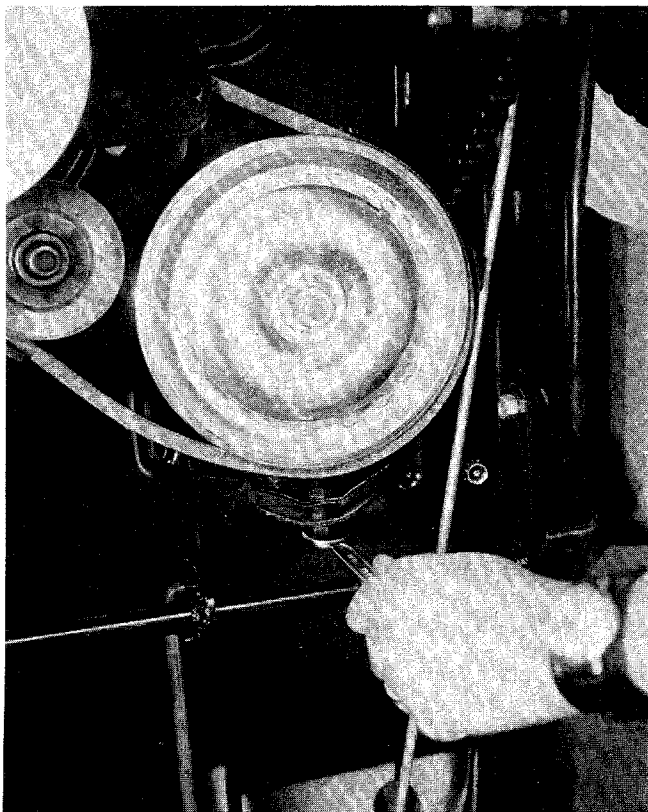


FIGURE 14. CHAIN ADJUSTMENT

NOTE

Deck was removed for photographing.

BRAKE ADJUSTMENTS See figure 15.

The brake is located by the right rear wheel inside the frame.

To adjust the brake, tighten the lock nut one-half turn and then test the brake.

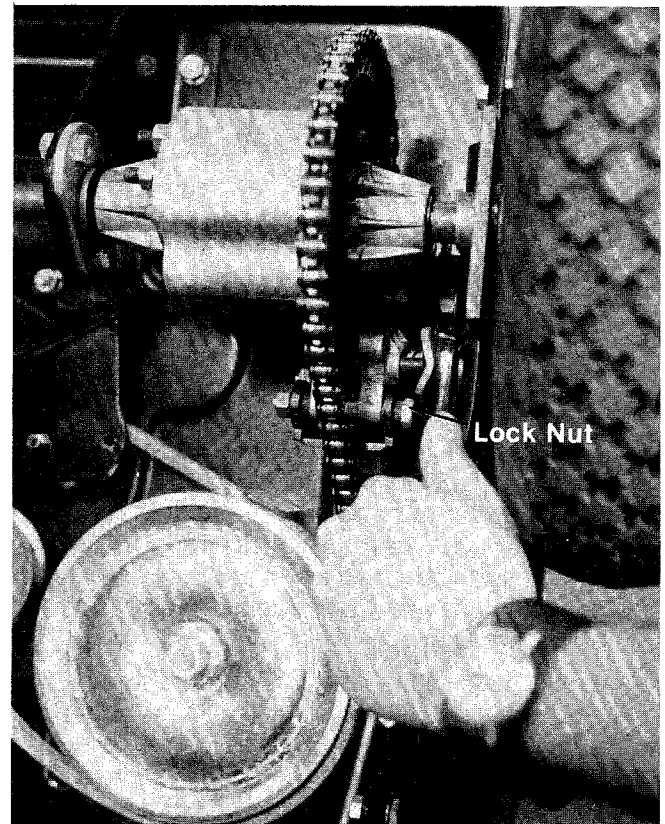


FIGURE 15. BRAKE ADJUSTMENT

NOTE

Deck was removed for photographing.

BLADES



Disconnect the spark plug wire and remove the ignition key before removing the blades.

Sharp and balanced blades are essential for efficient mowing and long mower and engine life. When sharpening blades, file equal amounts of

metal from each side. The blades should be balanced before they are reinstalled. An unbalanced blade will cause excessive vibration and undue wear on the mower and the engine. When reassembling, all parts must be installed in the proper order and fastened securely.

Remove the 3/8" bolt and lock washer. Pull the blade and adapter off the mower deck. To remove the adapter from the blade, remove the two 5/16" bolts, lock washers and nuts. See figure 16.

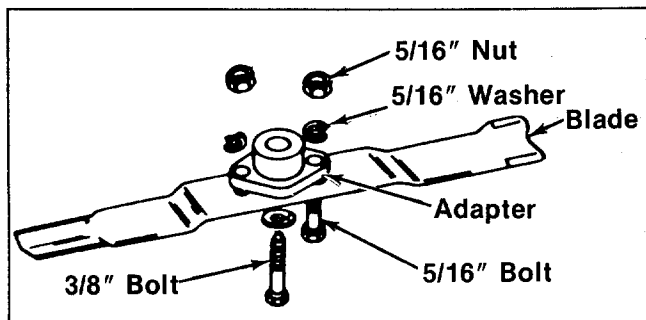


FIGURE 16. BLADE REMOVAL

MOWER DECK

The underside of the mower deck should be cleaned after each period of use as grass clippings, leaves, dirt and other matter will accumulate. This accumulation of grass clippings, etc., is undesirable as it will invite rust and corrosion and may cause an uneven discharge of grass clippings at the next mowing.

The deck may be cleaned by tilting the mower on its front wheels until the frame and the steering wheel supports the entire unit. Scrape clean with a suitable tool or by washing with a stream of water from a garden hose. Be sure to disconnect the spark plug wire and ground it while performing this maintenance.



NOTE

To insure safe operation, ALL nuts and bolts must be checked periodically for correct tightness.

PREPARING FOR BELT REMOVAL

1. To prevent gasoline from leaking from the engine, remove the fuel tank cap. Place a piece of thin plastic over the neck of the fuel tank and screw on the cap.

2. Disconnect the spark plug wire and ground it against the engine.

BELT REMOVAL See figures 17 through 21.

To Remove the Deck Belt

- Step 1. Put the lift and disengagement lever into the ENGAGED position.
- Step 2. Remove two belt keepers at the engine pulley. See figure 17.

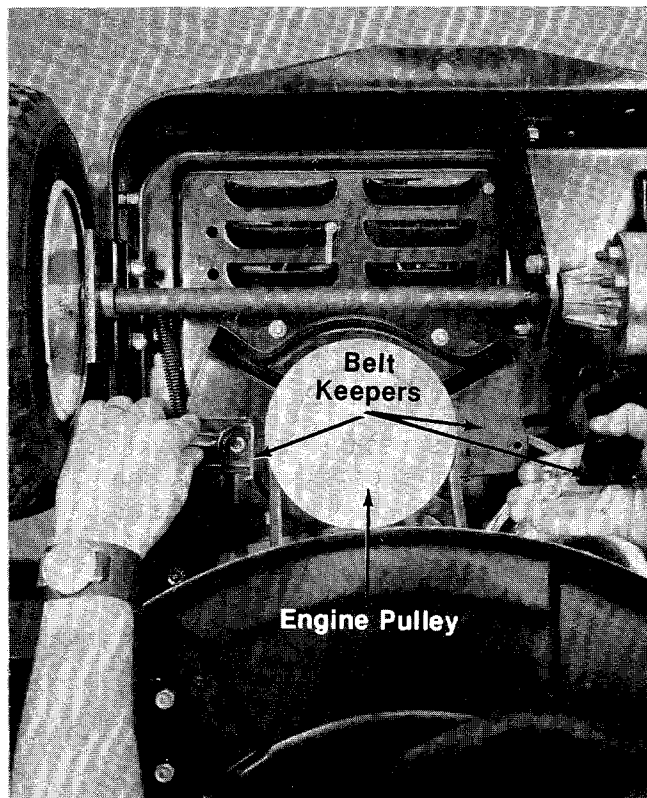


FIGURE 17. REMOVAL OF BELT KEEPERS

- Step 3. Remove two belt keepers at the deck pulley and shoulder bolt. See figures 18 and 19.
- Step 4. DISENGAGE the deck and unhook the belt from the engine pulley.
- Step 5. ENGAGE the deck and remove the belt.

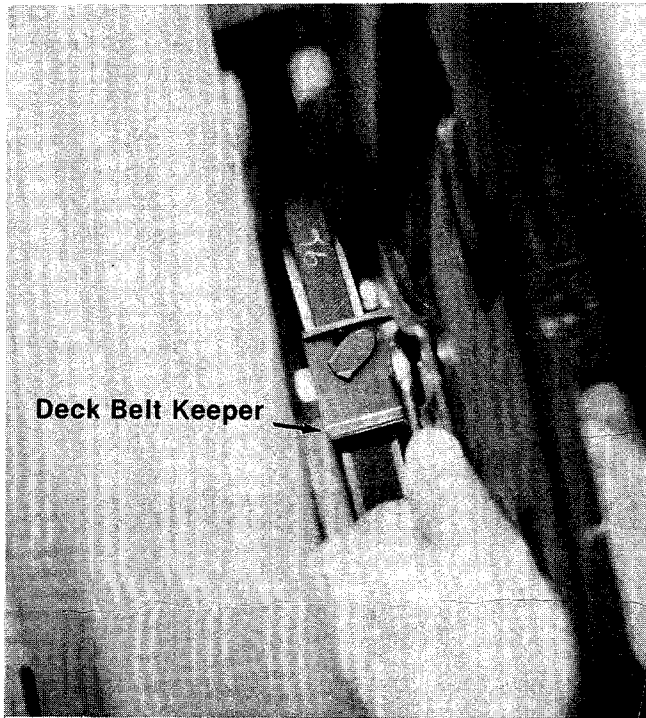
To Remove the Drive Belt:

- Step 1. Remove the two belt keepers at the engine pulley. DISENGAGE the deck and remove the belt.
- Step 2. ENGAGE the deck and unhook the deck springs.



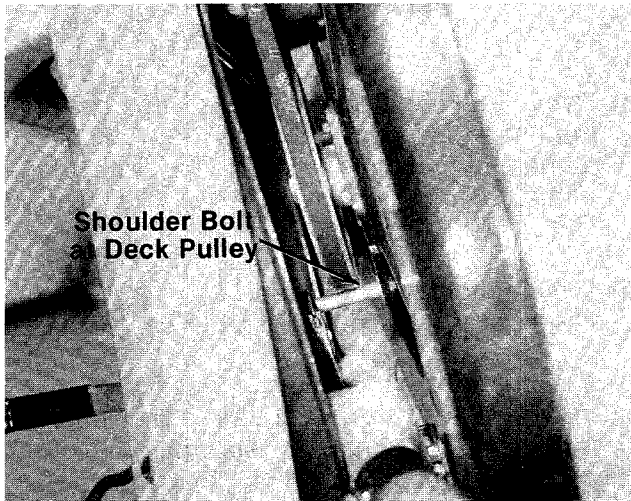
CAUTION

Deck will drop when last bolt is removed in step 3.



Deck Belt Keeper

FIGURE 18. REMOVAL OF DECK BELT KEEPERS



Shoulder Bolt
at Deck Pulley

FIGURE 19. SHOULDER BOLT REMOVAL

Step 3. Remove six hex screws, nuts and lock washers holding the deck. See figure 20.

Step 4. Remove the belt guard at the engine pulley. See figure 21.

Step 5. Remove the nut and lock washers at the idler pulley. See figure 21.

Step 6. Remove the hex nut and lock washer at the transmission pulley. Remove and replace the belt.



When reassembling the transmission pulley, place hub side up.

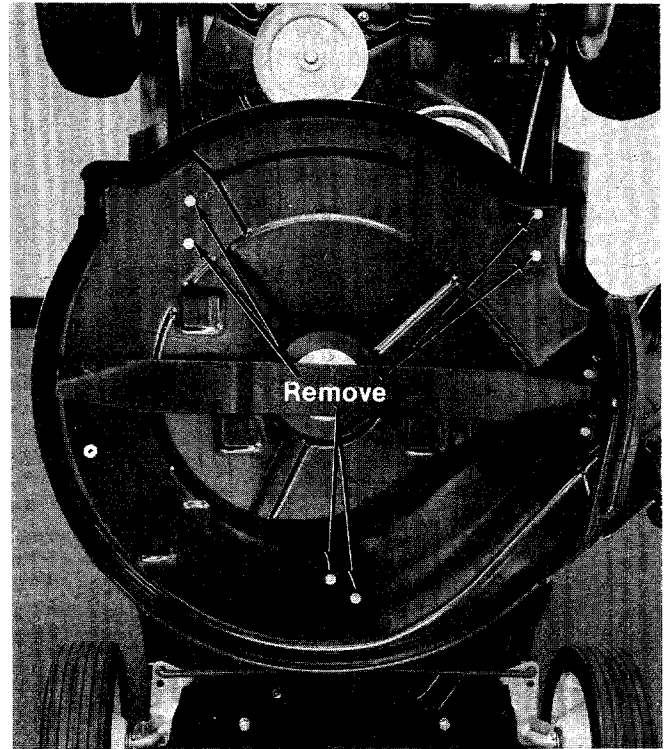


FIGURE 20. DECK REMOVAL

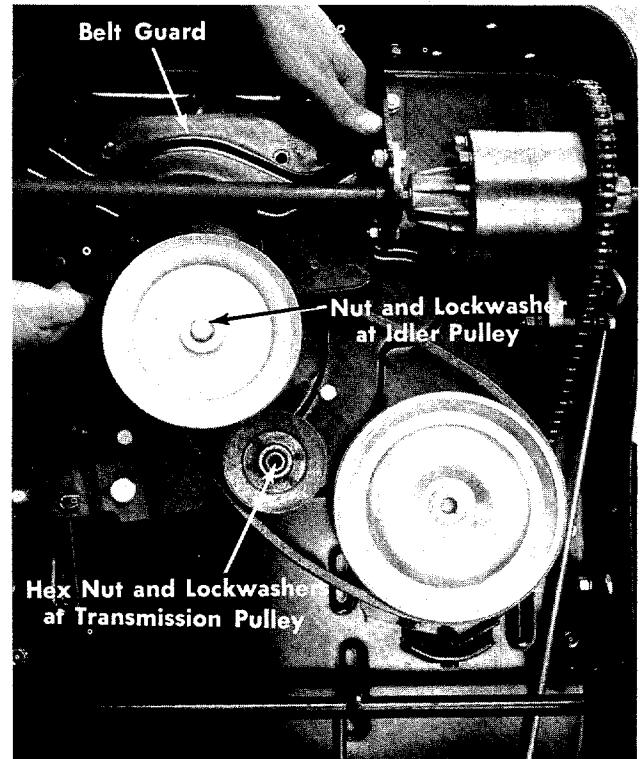


FIGURE 21. ENGINE BELT GUARD REMOVAL

LUBRICATION See figure 22.

1. **Engine.** Maintain the engine oil according to the engine manual.
2. **Bearings.** The following bearings are oil impregnated and do not require lubrication. However, their normal life can be extended by lubricating them once a season with a light, non-detergent oil.
 - a. King Pin Bearings (total 4 bearings)
 - b. Rear Axle Bearings (total 3 bearings)
 - c. Front Wheel Bearings (total 4 bearings)
3. **Throttle Control and Cable.** Wipe oiled rag along entire length of cable.
4. **Chain.** Wipe oiled rag along entire length of chain.



Under extremely dusty conditions do not oil the chain.

5. **Linkage.** Oil all deck linkage and height adjustment linkage.

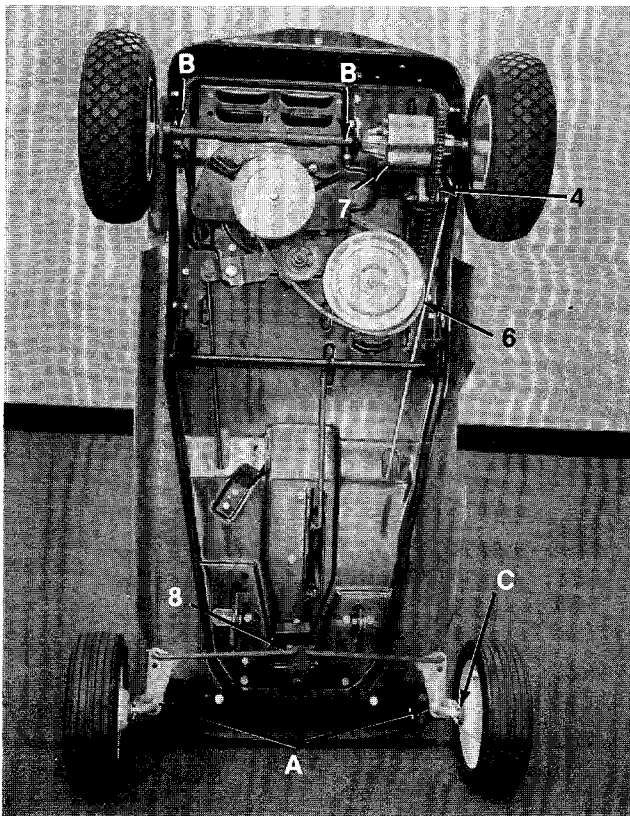


FIGURE 22. LUBRICATION POINTS

6. **Transmission.** Lubricated at the factory, does not require checking. Lubricate with 4 oz. of Lubriplate No. 310 if disassembled.
7. **Differential.** Lubricated at the factory, does not require checking. Lubricate with 2 oz. of grease High Temp. 450° F. if disassembled. If ordered from the factory use Part No. 737-0120.
8. **Steering.** Lubricate at least once a season with oil.

OFF-SEASON STORAGE



Engines to be stored over 30 days should be completely drained of fuel to prevent gum deposits forming on essential carburetor parts, fuel filters, fuel lines and tank.

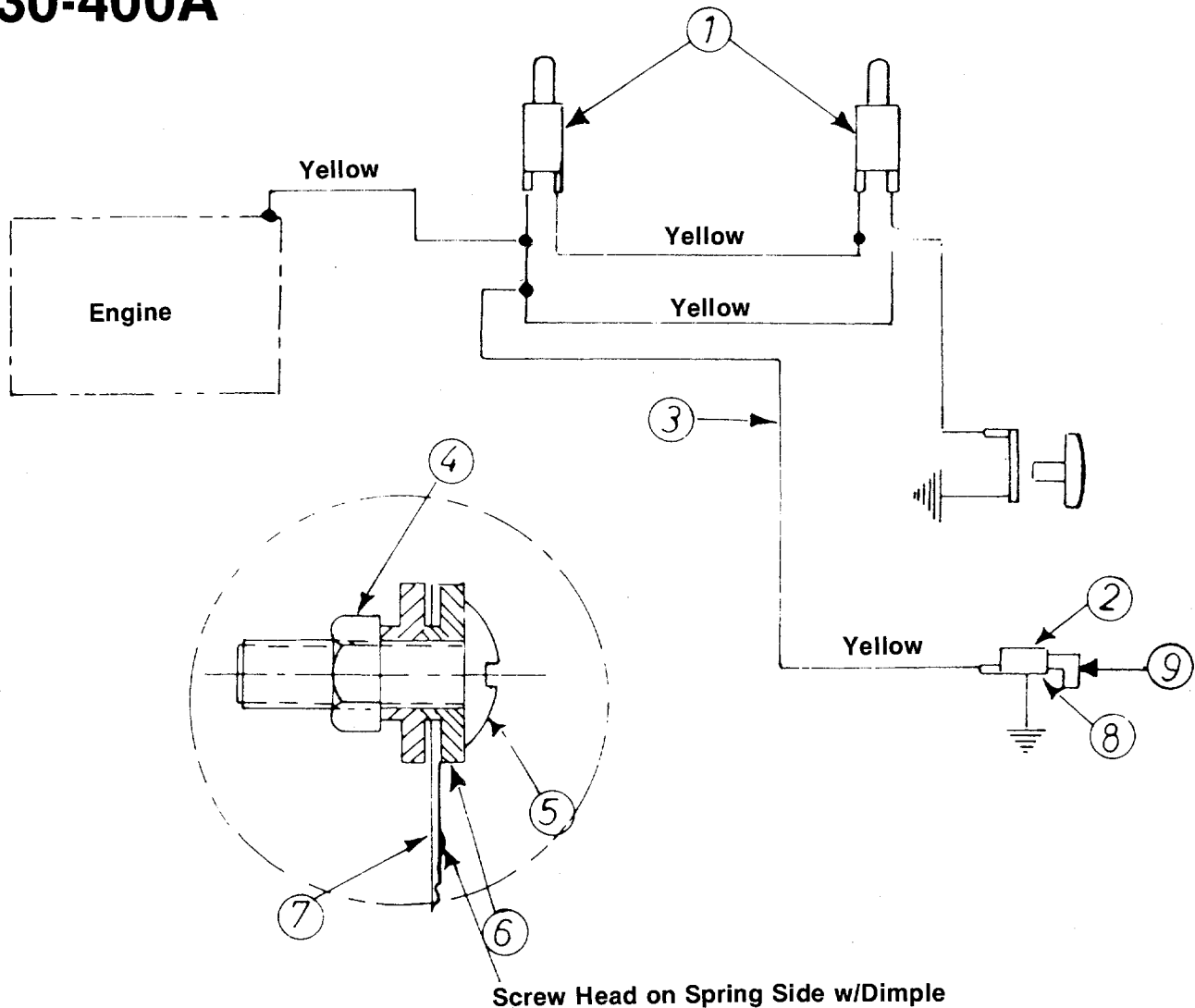
1. Remove all fuel from fuel tank. Run the engine until it stops from lack of fuel. The small amount of fuel that remains in the sump of the tank should then be removed by absorbing it with a clean, dry cloth.
2. While engine is still warm, drain oil from crankcase. Refill with fresh oil.
3. Remove spark plug, pour 1 ounce of SAE 30 oil into cylinder and crank slowly to distribute oil. To prevent accidental starting, DO NOT replace the spark plug.
4. Clean dirt and chaff from cylinder, cylinder head fins and blower housing.
5. Clean all grass from under side of deck.
6. Clean the air filter.
7. Place blocks under frame of mower so that the wheels are off the ground.
8. Cover all bare metal parts, such as the mowing edge of the blades, with grease to prevent rusting.
9. Cover the mower with a tarpaulin or other protective covering.

TROUBLE SHOOTING CHART FOR RECOIL START MODELS

CAUTION: ALWAYS DISCONNECT SPARK PLUG BEFORE ATTEMPTING ANY REMEDY.

TROUBLE	LOOK FOR	REMEDY
Engine will not start when recoil handle is pulled.	Clutch and blade not disengaged.	Clutch pedal must be depressed and blade must be shut off.
	Ignition key not in the ON position.	Turn on the ignition key.
	Throttle not in the starting position.	Check owner's guide for correct position for throttle control for starting.
	No spark to spark plug.	Spark plug lead disconnected. Connect lead. Hold spark plug lead away from engine block about 1/8". Crank engine. There should be a spark. If not, have the engine repaired at authorized engine service dealer. Faulty spark plug. To test, remove spark plug. Attach spark plug lead to spark plug. Ground spark plug body against the engine block. Crank the engine. The spark plug should fire at the electrode. Replace if it does not.
	No fuel to the carburetor.	Gasoline tank empty. Fill. Fuel valve shut off. Open valve. Valve is located either at the bottom of the fuel tank or on the carburetor. Fuel line is plugged. Remove and clean.
	Air filter dirty.	If the air cleaner is dirty, the engine may not start. Clean or replace as recommended by the engine manufacturer.
	Mechanical failure (wires or switch).	The interlock system includes two mechanical activated switches which are wired in parallel. If the buttons on both switches are not depressed at least 1/8", the magneto will be grounded and the engine will not start. While testing the interlock system, you will make the mower temporarily unsafe by permitting the engine to be started with the blade and clutch engaged. WARNING: While testing, disengage the clutch, shut off the blade control, set the parking brake and place the gear shift lever in neutral. Disconnect the yellow wire where it attaches to the primary wire from the breaker assembly on the engine. Try to start the engine. If the engine does not start , the problem is in the engine (e.g. no fuel or no ignition). If the engine does start, the problem is in the safety system. Check the following: 1. The interlock wire may be grounded by being pinched or rubbing through the insulation. Tape or replace the wire. 2. The bolt on the flat spring behind the recoil starter where the yellow wire attaches must be insulated from the spring. Use a continuity tester. If it is not insulated, remove the bolt and nut, and replace the two fiber washers and reassemble.
Engine stops when the mower blade is engaged or the clutch is released.	Recoil handle is not in proper position.	After the engine starts, the recoil starter handle must be pushed into the dashboard and turned a quarter turn either direction to lock it in place.
Engine smokes.	Engine loses crankcase vacuum.	Dipstick not seated or broken. Replace defective part. Engine breather defective. Replace.
Excessive vibration	Bent or damaged blade spindle	Stop engine immediately. Check all pulleys, blade spindles, blade adapters, keys and bolts for tightness or damage. Tighten or replace any damaged parts.
	Bent blade.	Stop engine immediately. Replace damaged blade. Only use original equipment blades.
Mower will not discharge grass or leaves uncut strips.	Engine speed too low.	Throttle must be set between 3/4 and full throttle.
	Transmission selection.	Use lower transmission gear. The slower your ground speed, the better the quality of cut.
	Blades short or dull.	Sharpen or replace blades (uncut strip problem only).

130-400A



Screw Head on Spring Side w/Dimple

SCHEMATIC FOR ELECTRICAL SYSTEM

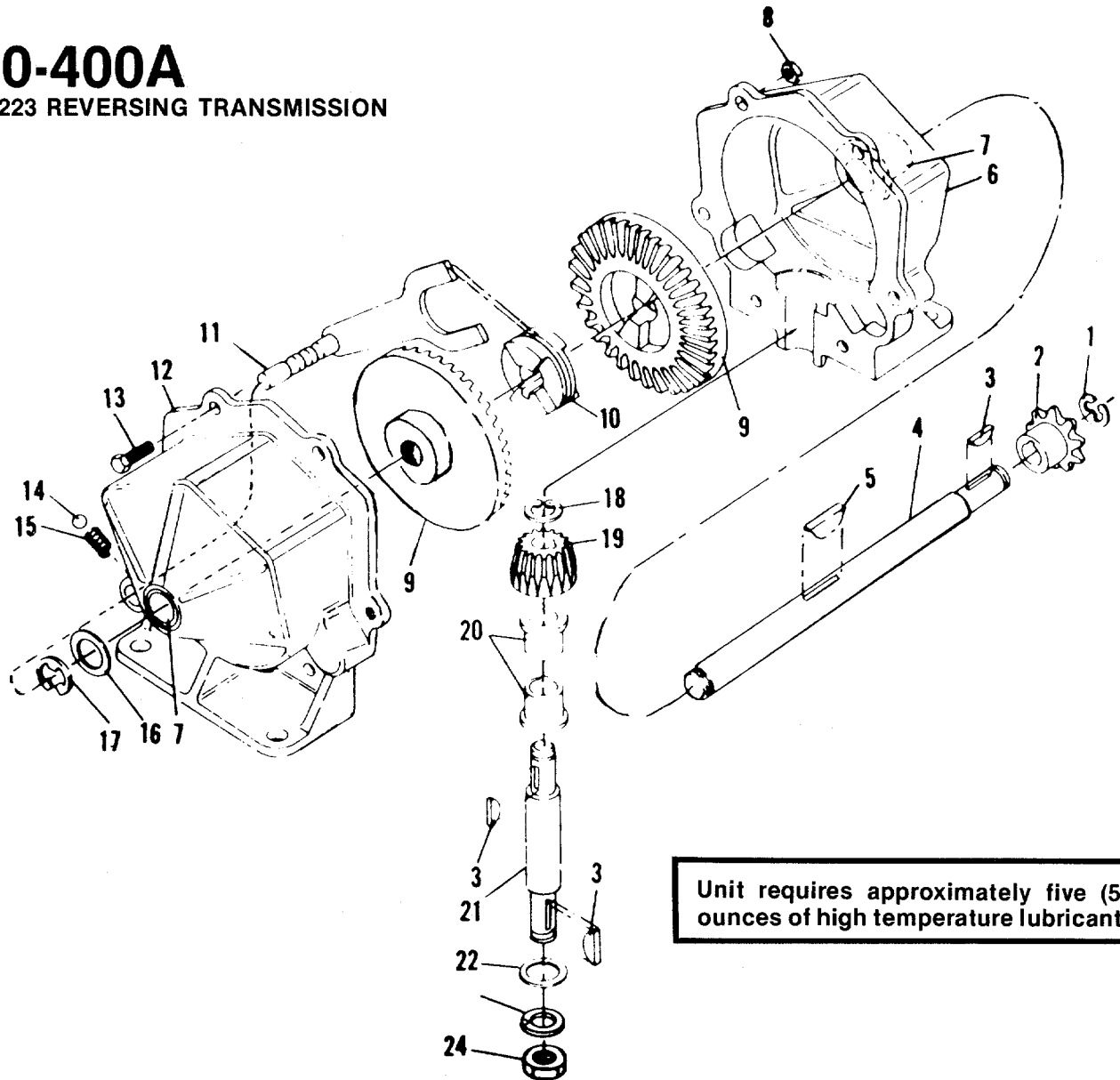
PARTS LIST FOR SCHEMATIC

REF. NO.	PART NO.	COLOR CODE	DESCRIPTION	NEW PART
1	725-0269		Safety Switch Norm Close— Red	
2	725-0464		Magneto Ignition Switch w/Nut	
3	725-0407		Wire Harness	
4	712-0121		Hex Nut #10-24	
5	710-0425		Truss Mach. Scr. #10-24 x .62	
6	736-0338		Fiber Washer	
7	732-0257		Switch Spring	
8	736-0225		Internal L-Wash. 5/8 I.D.	
9	725-0201		Ignition Key	

*For faster service obtain standard nuts, bolts and washers locally. If these items cannot be obtained locally, order by part number and size as shown on parts list.

130-400A

717-0223 REVERSING TRANSMISSION



Unit requires approximately five (5) ounces of high temperature lubricant.

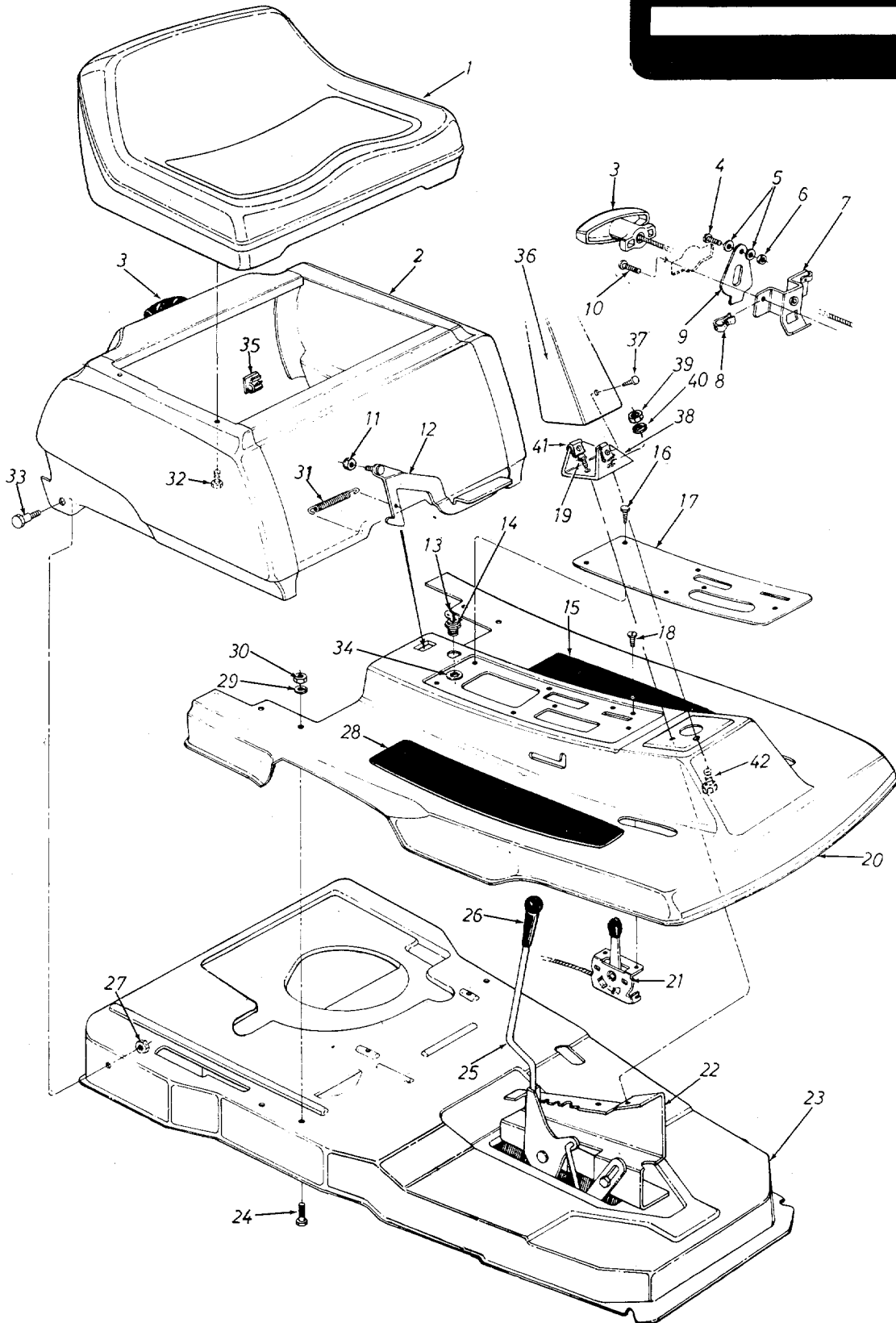
PARTS LIST FOR REVERSING TRANSMISSION 717-0223

REF. NO.	PART NO.	COLOR CODE	DESCRIPTION	NEW PART	REF. NO.	PART NO.	COLOR CODE	DESCRIPTION	NEW PART
1	716-0104		E-Ring for .500" Dia. Shaft		14	741-0862		Detent Ball	
2	748-0852		Sprocket—8 Tooth		15	732-0863		Detent Spring	
3	714-0129		#4 Hi-Pro Key 3/32 x 5/8" Dia.		16	736-0116		FI-Wash. .635 I.D. x .93 O.D.	
4	711-0854		Output Shaft		17	716-0106		E-Ring for .625" Dia. Shaft	
5	714-0126		#9 Hi-Pro Key 3/16 x 3/4" Dia.		18	716-0865		Snap Ring for .500" Dia. Shaft	
6	717-0123		Trans. Case—L.H. Comp.		19	748-0866		Pinion Gear	
7	748-0855		Flange Bearing		20	748-0867		Bearing .627 I.D.	
8	712-0117		Hex Centerlock 1/4-28*		21	738-0159		Pinion Shaft	
9	748-0856		Bevel Gear		22	736-0192		FI-Wash. .531 I.D. x .93 O.D.	
10	748-0857		Clutch Collar		23	736-0921		Spring L-Wash. 1/2" Scr.*	
11	08583		Shift Yoke Assembly		24	712-0922		Hex Jam Nut 1/2-20 Thd.*	
12	717-0124		Trans. Case—R.H.—Comp. (With Detent Hole)			737-0120		Grease—High Temp. 450° F. (5 oz.)	
13	710-0195		Hex Hd. Cap Scr. 1/4-28 x .62" Lg.*			717-0223		Transmission Complete	

*For faster service obtain standard nuts, bolts and washers locally. If these items cannot be obtained locally, order by part number and size as shown on parts list.

130-400A

IF YOU WRITE TO US ABOUT THIS ARTICLE
OR IF YOU ORDER REPLACEMENT PARTS AL-
WAYS MENTION THIS MODEL & SERIAL NO
MODEL



PARTS LIST FOR MODEL 130-400A RIDING MOWER

REF. NO.	PART NO.	COLOR CODE	DESCRIPTION	NEW PART	REF. NO.	PART NO.	COLOR CODE	DESCRIPTION	NEW PART
1	757-0265		Seat Comp.		21	746-0239		Throttle Control—R.H.	
2	12131	—456	Cover Ass'y.		22	12150	—456	Index and Support Brkt.	
3	11263		Plastic Handle		23	12125	—452	Main Frame	
4	710-0425		Truss Mach. Scr. #10-24 .62" Lg.*		24	710-0198		Hex Sems Scr. 5/16-18 x .75" Lg.*	
5	736-0338		Fiber Washer		25	12142		Deck Lift Handle Ass'y.	
6	712-0121		Hex Nut #10-24 Thd.		26	720-0143		Grip	
7	11053		Switch Brkt. Ass'y.		27	712-0158		Hex Cent. L-Nut 5/16-18 Thd.	
8	712-0344		Speed Nut #10Z		28	723-0241		Foot Pad	
9	732-0257		Switch Spring		29	736-0119		L-Wash. 5/16" Scr.*	
10	710-0351		Truss Mach. B-Tapp. Scr. #10 x .50" Lg.*		30	712-0267		Hex Nut 5/16-18 Thd.	
11	712-0429		Hex Ins. L-Nut 5/16-18 Thd.		31	732-0118		Extension Spring	
12	12144		Latch—Engine Cover		32	710-0289		Hex Scr. 1/4-20 x .50" Lg.*	
13	725-0201		Ignition Key		33	738-0155		Shld. Scr. .437 Dia. x .162	
14	725-0464		Ignition Switch		34	736-0225		Internal L-Wash. 5/8 I.D.	
15	723-0241		Foot Pad		35	726-0141		Adjustment Clamp	
16	710-0456		Hex Drilling Scr. #10 x .50" Lg.*		36	731-0262		Cover—Steering Column	
17	12175	—452	Cover Plate		37	710-0473		Truss Mach. Scr. #10-24 x .50" Lg.*	
18	710-0227		Hex Wash. Hd. AB Tapp. Scr. #8 x .50" Lg.		38	13912		Support Brkt.	
19	710-0456		Hex Drilling Scr. #10 x .50" Lg.*		39	712-0287		Hex Nut 1/4-20 Thd.*	
20	12128	—456	Floor Pan		40	736-0329		L-Wash. 1/4" Scr.*	
					41	712-0147		Speed Nut #10-24 Thd.	
					42	710-0252		Hex Scr. 1/4-20 x .75" Lg.*	

WHEEL CHART

FRONT WHEEL		REAR WHEEL	
734-0510	Wheel Ass'y.—Comp.	734-0522	Wheel Ass'y.—Comp.
10152	Rim with Hub Ass'y.	734-0517	Rim with Hub Ass'y.
748-0146	Bearing	734-0301	Tire Only 12.2 x 3.7
—	Hub Part of Rim	—	Hub Part of Rim
		734-0255	Air Valve

*For faster service obtain standard nuts, bolts and washers locally. If these items cannot be obtained locally, order by part number and size as shown on parts list.

(456—Radiant Tangerine)

When ordering parts, if color or finish is important use the appropriate color code shown above. (e.g. Radiant Tangerine Finish—12131 (456).)

NOTE

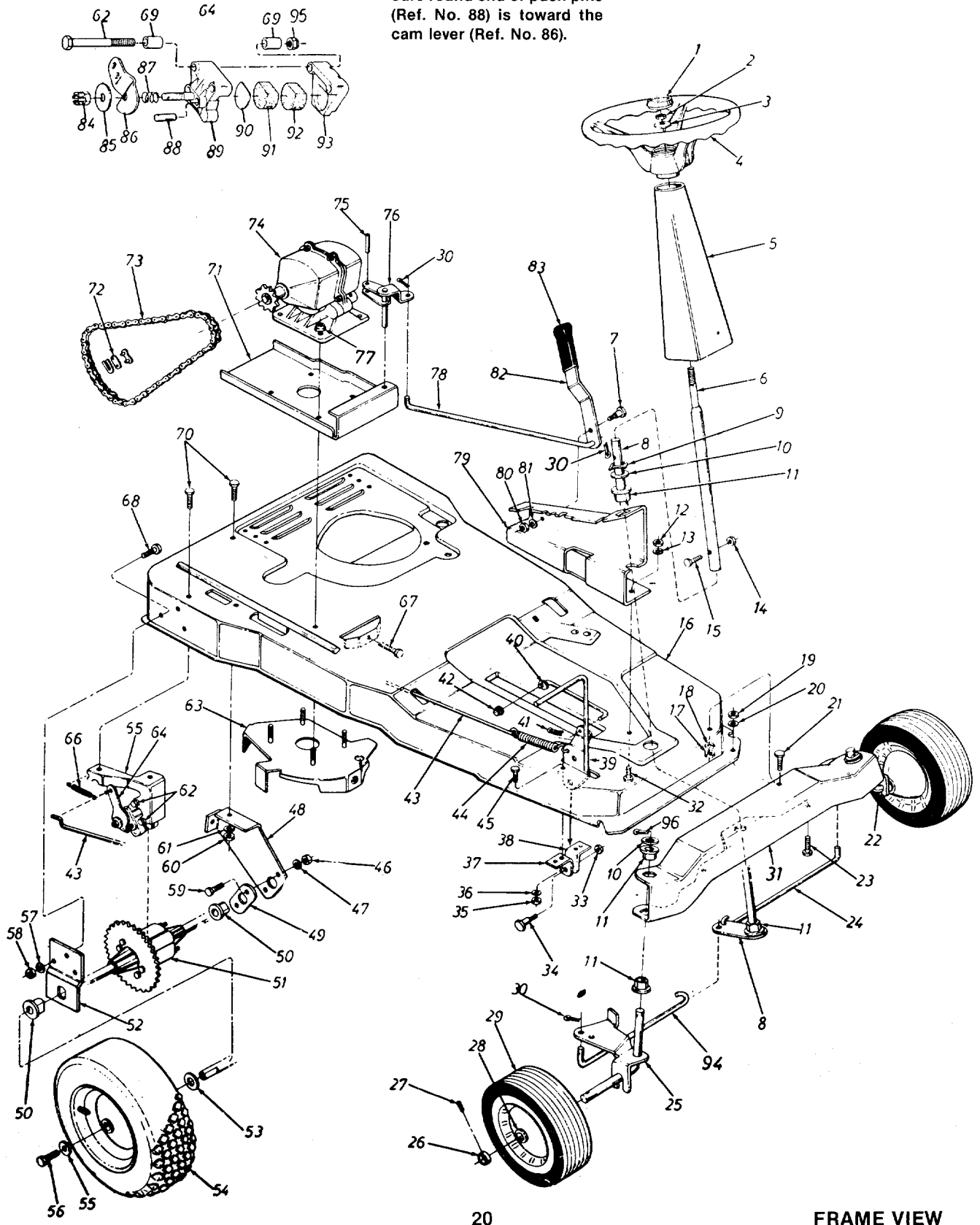
This instruction manual covers various models and all specifications shown do not necessarily apply to your model. Specifications subject to change without notice or obligation.

NOTE: The engine is not under warranty by the mower manufacturer...If repairs or service is needed on the engine, please contact your nearest authorized engine service outlet. Check the "Yellow Pages" of your telephone book under "Engines—Gasoline."

**Find It Fast
In The
Yellow Pages**

130-400A

NOTE: If for any reason Disc Brake is disassembled, be sure round end of push pins (Ref. No. 88) is toward the cam lever (Ref. No. 86).



PARTS LIST FOR MODEL 130-400A RIDING MOWER

REF. NO.	PART NO.	COLOR CODE	DESCRIPTION	NEW PART	REF. NO.	PART NO.	COLOR CODE	DESCRIPTION	NEW PART
1	731-0220		Steering Wheel Cap		50	741-0199		Plastic Flange Brg. w/Flats .753 I.D.	
2	712-0158		Hex Cent. L-Nut 5/16-18 Thd.*		51	717-0328		Differential Ass'y.—Comp.	
3	736-0242		Belleville Wash.		52	12148		Axle Brkt.	
4	731-0219		Steering Wheel Ass'y.		53	736-0134		Fl-Wash. .812 I.D. x 1.38 O.D.	
5	731-0262		Cover—Steering Column		54	734-0522		Wheel Ass'y.—Comp. Rear 12.2 x 3.7	
6	750-0233		Steering Tube Ass'y.		55	736-0105		Belleville Wash. .400 I.D. x .88 O.D.	
7	738-0140		Shld. Scr. .437 Dia. x .180" Lg.		56	710-0627		Scr. 5/16-24 x .75" Lg. Gr. 5	
8	12138		Steering Shaft Ass'y.		57	736-0119		L-Wash. 5/16" Scr.*	
9	712-0222		Push Speed Nut .62 Dia.		58	712-0267		Hex Nut 5/16-18 Thd.*	
10	736-0156		Fl-Wash. .635 I.D. x 1.120 O.D.		59	710-0198		Hex Sems Scr. 5/16-18 x .75" Lg.*	
11	748-0227		Hex Flange Brg. .630 I.D.		60	712-0267		Hex Nut 5/16-18 Thd.*	
12	712-0267		Hex Nut 5/16-18 Thd.*		61	736-0119		L-Wash. 5/16" Scr.*	
13	736-0119		L-Wash. 5/16" Scr.*		62	710-0395		Hex Scr. 5/16-18 x 2.25" Lg.*	
14	712-0107		Hex Cent. L-Nut 1/4-20 Thd.		63	10086-w/PIN		Belt Guard Ass'y.—Trans.	
15	710-0106		Hex Scr. 1/4-20 x 1.25" Lg.		64	761-0130		Disc Brake Ass'y.—Comp.	
16	12125	—452	Main Frame		65	12145		Brake Brkt. Ass'y.	
17	712-0267		Hex Nut 5/16-18 Thd.*		66	732-0118		Ext. Spring	
18	736-0119		L-Wash. 5/16" Scr.*		67	710-0117		Hex Scr. 5/16-24 x 1.00" Lg. H.T.	
19	712-0267		Hex Nut 5/16-18 Thd.*		68	710-0198		Hex Sems Scr. 5/16-18 x .75" Lg.*	
20	736-0119		L-Wash. 5/16" Scr.*		69	761-0133		Spacer for Disc Brake	
21	710-0198		Hex Sems Scr. 5/16-18 x .75" Lg.*		70	710-0198		Hex Sems Scr. 5/16-18 x .75" Lg.*	
22	09709		Axle Ass'y.—Front—L.H.		71	10247		Transmission Plate	
23	710-0198		Hex Sems Scr. 5/16-18 x .75" Lg.*		72	713-0723		#41 Master Link 1/2" Pitch Type II	
24	747-0147		Tie Rod 3/8" Dia. L.H.		73	713-0190		#41 Chain 1/2" Pitch x 71 Links	
25	09706		Axle Ass'y.—Front—R.H.		74	717-0223		Single Spd. Trans.—Comp.	
26	711-0169		Collar		75	715-0103		Spring Pin Roll 1/8 x .75" Lg.	
27	710-0666		Sq. Hd. Set Scr. 5/16-18 x 38 Cup		76	12170		Shift Brkt. Ass'y.	
28	748-0146		Flange Brg. w/Flats .630 I.D.		77	712-0429		Hex Ins. L-Nut 5/16-18 Thd.	
29	734-0510		Wheel Ass'y.—Front 10.25 x 3.25		78	747-0136		Shift Rod	
30	714-0507		Cotter Pin 3/32" Dia. x .75" Lg.*		79	712-0267		Hex Nut 5/16-18 Thd.*	
31	12151		Front Wheel Brkt.		81	736-0119		L-Wash. 5/16" Scr.*	
32	710-0198		Hex Sems Scr. 5/16-18 x .75" Lg.*		82	12169		Shift Lever	
33	712-0375		Hex Cent. L-Nut 3/8-16 Thd.		83	720-0142		Grip—Flat Bar Type	
34	738-0234		Shld. Scr. .500" Dia. x .295" Lg.		84	712-0134		Hex Top L-Nut 5/16-24 Thd.	
35	712-0267		Hex Nut 5/16-18 Thd.*		85	HH-03-03032		Wash. .349 I.D. x 1.004 O.D. x .066 Thk.	
36	736-0119		L-Wash. 5/16" Scr.*		86	HH-18-03493		Cam Lever 22°	
37	12155		Pedal Pivot Brkt. w/1/2" Hole		87	HH-06-03031		Spring—Compres. .350" Dia. x 4 Coils	
38	12156		Pedal Pivot Brkt. w/3/8" Hole		88	HH-05-03034		Push Pin .309" Dia. x .857"	
39	12136		Brake Pedal Ass'y.		89	HH-12-03292		Casting—Cam	
40	12419		Pedal Lockout Rod 5/16"		90	HH-03-03303		Back Up Wash. 1.115" Dia. x .018 Thk. (D-Shaped)	
41	714-0104		Int. Cotter Pin 5/16" Dia.*		91	HH-15-02124		Pad—Friction (D-Shaped) 1.110" Dia. x .472 Thk.	
42	726-0109		Push Cap—.312 I.D.		92	HH-15-03149		Pad—Friction (D-Shaped) 1.110" Dia. x .245 Thk.	
43	747-0128		Brake Rod 1/4" Dia. x 25.25" Lg.		93	HH-12-03293		Casting—Carrier	
44	732-0245		Brake Spring		94	747-0146		Tie Rod 3/8" Dia.—R.H.	
45	710-0198		Hex Sems Scr. 5/16-18 x .75" Lg.*		95	712-0158		Hex Cent. L-Nut 5/16-18 Thd.	
46	712-0267		Hex Nut 5/16-18 Thd.*		96	714-0474		Cotter Pin 1/8 x .75	
47	736-0119		L-Wash. 5/16" Scr.*						
48	12147		Rear Axle Support Brkt.						
9	10470		Bearing—Plate						

*For faster service obtain standard nuts, bolts and washers locally. If these items cannot be obtained locally, order by part number and size as shown on parts list.

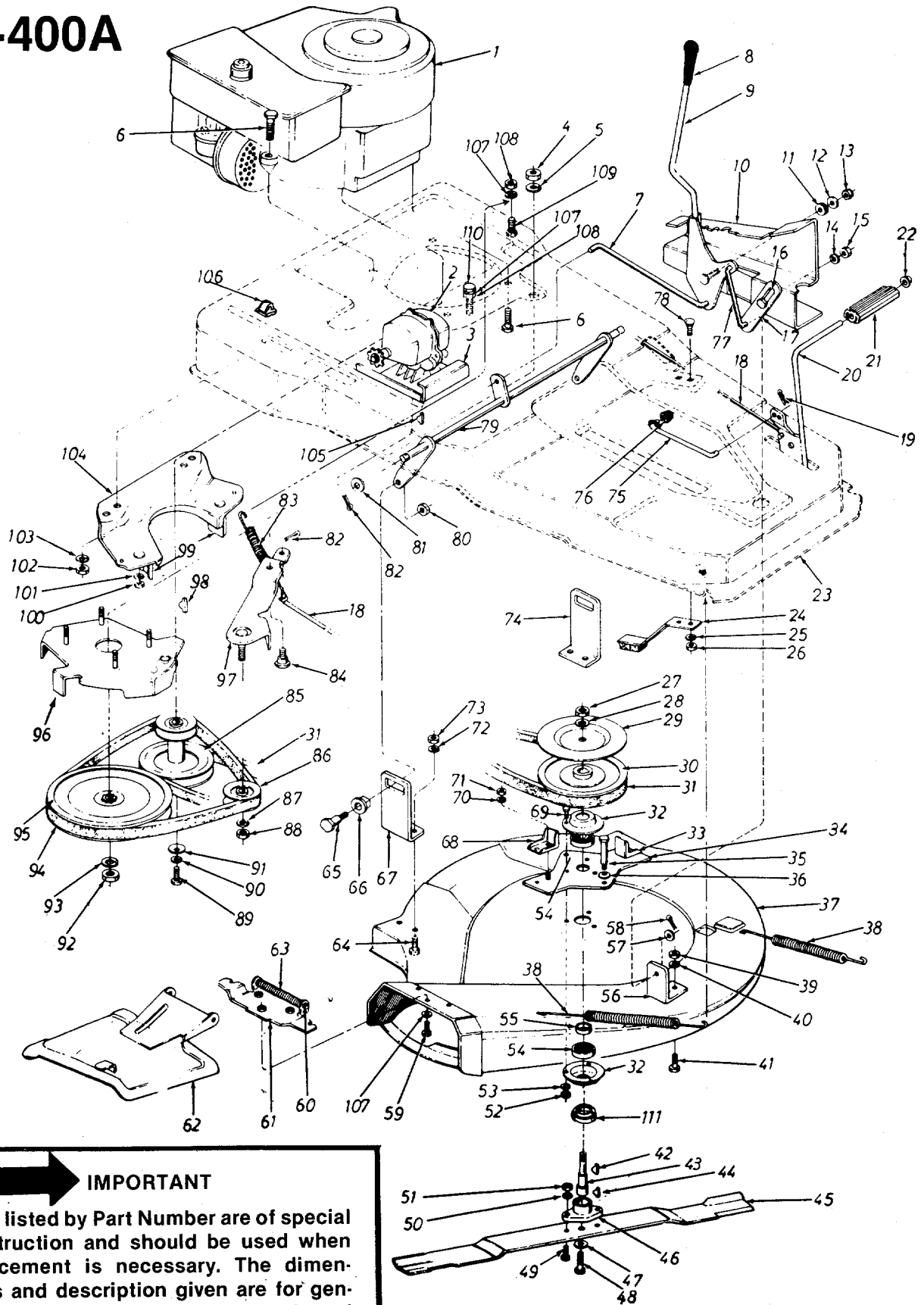
(456—Radiant Tangerine)

When ordering parts, if color or finish is important use the appropriate color code shown above. (e.g. Radiant Tangerine Finish—12131 (456).)

NOTE: The engine is not under warranty by the mower manufacturer... If repairs or service is needed on the engine, please contact your nearest authorized engine service outlet. Check the "Yellow Pages" of your telephone book under "Engines—Gasoline."



130-400A



➔ IMPORTANT
 Belts listed by Part Number are of special construction and should be used when replacement is necessary. The dimensions and description given are for general reference only and belts purchased by description and dimension generally will only provide temporary service.

PARTS LIST FOR MODEL 130-400A RIDING MOWER

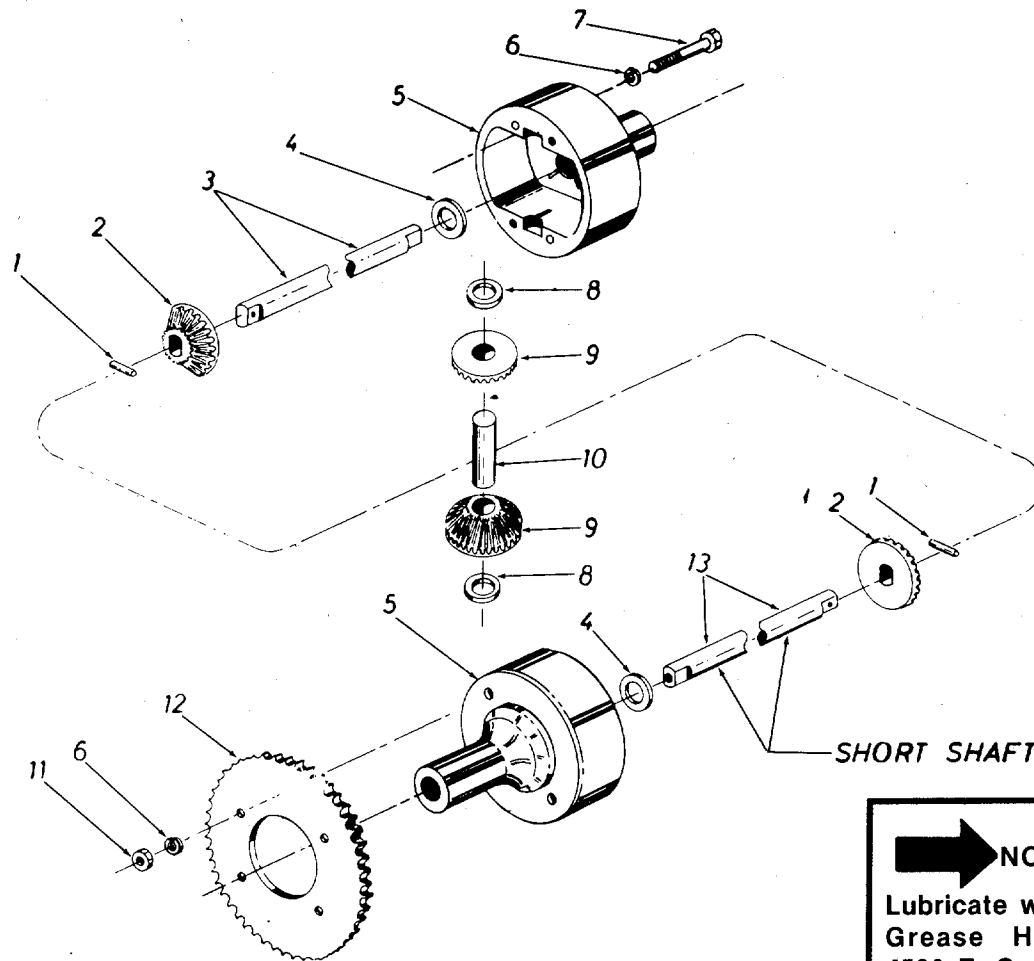
REF. NO.	PART NO.	COLOR CODE	DESCRIPTION	NEW PART	REF. NO.	PART NO.	COLOR CODE	DESCRIPTION	NEW PART
1	—		Engine		56	12153		Front Deck Brkt.	
2	717-0223		Trans. Ass'y.—Comp.		57	736-0185		Fl-Wash. .406 I.D. x .734 O.D. x .063*	
3	10247		Trans. Plate						
4	712-0798		Hex Nut 3/8-16 Thd.*		58	714-0507		Cot. Pin 3/32 Dia. x .75" Lg.	
5	736-0217		L-Wash. 3/8" Scr. H.D.		59	710-0195		Hex Scr. 1/4-28 x .62	
6	710-0442		Hex Scr. 5/16-18 x 1.50" Lg.*		60	726-0166		Push Cap 1/4" Dia.	
7	747-0127		Lift Handle Rod 3/8" Dia.		61	11399		Adapter Ass'y.	
8	720-0143		Grip		62	11634		Chute Cover Ass'y.—Comp.	
9	12142		Deck Lift Handle Ass'y.		63	732-0261		Torsion Spring	
10	12150		Index and Support Brkt.		64	710-0198		Hex Sems Scr. 5/16-18 x .75" Lg.*	
11	735-0126		Rubber Washer						
12	736-0101		Fl-Wash. .406 I.D. x 1.00 O.D. x .030		65	738-0141		Shld. Scr. .437 Dia. x .350	
13	712-0112		Hex Nut #6-32 Thd.*		66	748-0180		Pivot Slide	
14	736-0217		L-Wash. 3/8" Scr. H.D.		67	12154		Rear Deck Brkt.	
15	712-0798		Hex Nut 3/8-16 thd.*		68	10426		Belt Keeper Ass'y.	
16	738-0183		Shoulder Scr.		69	710-0322		Hex Sems Scr. 5/16-18 x 1.00" Lg.*	
17	12152		Deck Hanger Link		70	736-0119		L-Wash. 5/16" Scr.*	
18	747-0132		Clutch Rod		71	712-0267		Hex Nut 5/16-18 Thd.*	
19	714-0104		Hairpin Cotter		72	736-0119		L-Wash. 5/16" Scr.*	
20	12133		Clutch Pedal Ass'y.		73	712-0267		Hex Nut 5/16-18 Thd.*	
21	731-0142		Foot Pedal Bar		74	12154		Rear Deck Brkt.	
22	726-0221		Push Cap 1/2" I.D.		75	12419		Pedal Lockout Rod 5/16"	
23	12125		Main Frame		76	726-0109		Push Cap—.312 I.D.	
24	761-0148		Blade Brake Ass'y. 1.38		77	747-0125		Deck Lift Rod 3/8" Dia.	
25	736-0329		L-Wash. 1/4" Scr.*		78	710-0167		Carriage Bolt 1/4-20 x .50" Lg.	
26	712-0287		Hex Nut 1/4-20 Thd.*		79	12139		Deck Lift Shaft Ass'y.	
27	712-0261		Hex Cent. L-Nut 5/8-11 Thd.		80	712-0158		Hex Cent. L-Nut 5/16-18 Thd.	
28	736-0158		Fl-Wash. 5/8" Scr.*		81	736-0116		Fl-Wash. .635 I.D. x .93 O.D.	
29	11073		Brake Disc		82	714-0507		Cot. Pin 3/32 Dia. x .75" Lg.*	
30	756-0143		Split Pulley .63 I.D.		83	732-0233		Tension Spring	
31	754-0188		V-Belt 21/32-51" Lg.		84	738-0147		Shld. Scr. .500 Dia. x .170	
32	08253		Housing—Bearing		85	756-0212		Engine Two Step Pulley and 5.81	
33	12172		Belt Keeper Ass'y.						
34	11537		Belt Guard Plate Ass'y.		86	756-0116		V-Belt Idler	
35	738-0129		Shld. Scr. .498 Dia. x 2.005		87	736-0217		L-Wash. 3/8" Scr. H.D.	
36	736-0105		Bell. Wash. .400 I.D. x .88 O.D.		88	712-0711		Hex Jam Nut 3/8-24 Thd.*	
37	12157		26" Deck Ass'y.		89	710-0151		Hex Scr. 3/8-24 x 2.00" Lg.*	
38	732-0153		Spring .75 O.D. x 8.65 Lg.		90	736-0217		L-Wash. 3/8" Scr. H.D.	
39	712-0267		Hex Nut 5/16-18 Thd.*		91	711-0572		Step Washer	
40	736-0119		L-Wash. 5/16" Scr.*		92	712-0922		Hex Jam Nut 1/2-20*	
41	710-0198		Hex Sems Scr. 5/16-18 x .75" Lg.*		93	736-0921		L-Wash. 1/2" Scr.*	
42	714-0388		#61 Hi-Pro Key 3/16 x 5/8" Dia.		94	754-0101		V-Belt 1/2 x 35" Lg.	
43	711-0405		Blade Spindle		95	756-0175		Trans. Split Pulley .50 I.D.	
44	714-0365		#6 Hi-Pro Key 5/32 x 5/8 Dia.		96	10086		Belt Guard Ass'y.—Trans.	
45	742-0147		26" Blade		97	12162		Idler Brkt. Ass'y.	
46	10769		Blade Adapter Kit		98	714-0365		#6 Hi-Pro Key 5/32 x 5/8" Dia.	
47	736-0217		L-Wash. 3/8" Scr. H.D.		99	12160		Belt Keeper Ass'y.	
48	710-0459		Hex Scr. 3/8-24 x 1.50" Lg. H.T.		100	712-0267		Hex Nut 5/16-18 Thd.*	
49	710-0117		Hex Scr. 5/16-24 x 1.00" Lg. H.T.		101	736-0119		L-Wash. 5/16" Scr.*	
50	736-0119		L-Wash. 5/16" Scr.*		102	712-0267		Hex Nut 5/16-18 Thd.*	
51	712-0123		Hex Nut 5/16-24 Thd.*		103	736-0119		L-Wash. 5/16" Scr.*	
52	712-0267		Hex Nut 5/16-18 Thd.*		104	10423		Belt Guard—Cup Ass'y.	
53	736-0119		L-Wash. 5/16" Scr.*		105	714-0129		#4Hi-Pro Key 3/32 x 5/8" Dia.	
54	741-0919		Ball Bearing		106	726-0141		Adjustment Clamp	
55	750-0142		Spacer		107	736-0329		L-Wash. 1/4" Scr.*	
					108	712-0138		Hex Nut 1/4-28 Thd.*	
					109	710-0559		Hex Scr. 1/4-28 x 1.75" Lg.*	
					110	710-0299		Hex Scr. 1/4-28 x 1.00" Lg.*	
					111	13703		Bearing Shield	

*For faster service obtain standard nuts, bolts and washers locally. If these items cannot be obtained locally, order by part number and size as shown on parts list.

(456—Radiant Tangerine)

When ordering parts, if color or finish is important use the appropriate color code shown above. (e.g. Radiant Tangerine Finish—12131 (456).)

130-400A



NOTE
 Lubricate with 2 oz. of Grease High Temp. 450° F. Order Part No. 737-0120.

PARTS LIST FOR DIFFERENTIAL ASSEMBLY 717-0328

REF. NO.	PART NO.	Qty. Req'd.	DESCRIPTION	NEW PART
1	715-0247	2	Spring Pin Spir. 3/16" Dia. x 1.00" Lg.	
2	748-0185	2	Gear—Double "O" Hole	
3	738-0300	1	Shaft—Long 19.31" Lg.	
4	736-0188	2	Fl-Wash. .760 I.D. x 1.49 O.D.	
5	717-0341	2	Housing Half	
6	736-0119	2	L-Wash. 5/16" Scr.*	
7	710-0363	2	Hex Scr. 5/16-24 x 4.00" Lg.*	
8	736-0187	2	Fl-Wash. .640 I.D. x 1.24 O.D.	
9	748-0158	2	Gear—Round Hole	
10	711-0276	1	Drive Pin	
11	712-0237	2	Hex Cent. L-Nut 5/16-24 Thd.	
12	09054	1	Sprocket—40 Tooth	
13	738-0301	1	Shaft—Short 7.07" Lg.	

*For faster service obtain standard nuts, bolts and washers locally. If these items cannot be obtained locally, order by part number and size as shown on parts list.

PARTS INFORMATION

POWER EQUIPMENT PARTS AND SERVICE

Parts and service for all MTD manufactured power equipment are available through the authorized service firms listed below. All orders should specify the model number of your unit, parts number, description of parts and the quantity of each part required.

ALABAMA	BIRMINGHAM
Auto Electric & Carburetor Co.	2625 4th Ave. S. 35233
ARKANSAS	FORT SMITH
Mity Mite Motors, Inc.	4515 South 16th Street 72901
	NORTH LITTLE ROCK
Sutton's Lawn Mower Shop	Rt. 4 Box 368. 72117
CALIFORNIA	PORTERVILLE
Billious	75 North D Street ... 93257
	SAN BERNARDINO
Lawn Mower Supply Co.	25608 E. Baseline ... 92410
	SAN FRANCISCO
J.W. Jewett Co.	981 Folsom St. 94107
COLORADO	DENVER
South Denver Lawn Equip.	527 West Evans ... 80223
FLORIDA	JACKSONVILLE
Radco Distributors	2403 Market St. 32206
	OPA LOCKA
Small Eng. Dist.	2351 N.W. 147th St. 33054
GEORGIA	EAST POINT
East Point Cycle & Key.	2834 Church St. 30344
ILLINOIS	LYONS
Keen Edge Co.	8615 Ogden Ave. 60534
INDIANA	ELKHART
Parts & Sales Inc.	2101 Industrial Pkwy. 46514
IOWA	DUBUQUE
Power Lawn & Garden Equip.	2551 J.F. Kennedy ... 52001
LOUISIANA	NEW ORLEANS
Suhren Engine Co.	8330 Earhart Blvd. 70118
MARYLAND	TAKOMA PARK
Center Supply Co.	6867 New Hampshire Ave. 20012
MASSACHUSETTS	SPRINGFIELD
Morton B. Collins Co.	300 Birnie Ave. 01107
MICHIGAN	LANSING
Lorenz Service Co.	2500 S. Pennsylvania . 48910
	MOUNT CLEMENS
Power Equipment Dist.	36463 South Gratiot .. 48043
MINNESOTA	HOPKINS
Hance Distributing Inc.	420 Excelsior Ave. W. 55343
	ST. PAUL
Power Tools Inc.	3771 Sibley Memorial Hwy. 55122
MISSISSIPPI	BILOXI
Biloxi Sales & Service, Inc.	506 Caillavet St. 39533
MISSOURI	KANSAS CITY
Automotive Equip. Service	3117 Holmes St. 64109
	ST. JOSEPH
Ross-Frazier Supply Co.	8th and Monterey ... 64503
	ST. LOUIS
Henzler, Inc.	2015 Lemay Ferry Rd. 63125
NEW JERSEY	BELLMAWR
Lawnmower Parts Inc.	717 Creek Rd. 08030
	RUTHERFORD
Feld Distributor	28 Glen Rd. 07070
NEW YORK	CARTHAGE
Gamble Dist., Inc.	West End Ave. 13619

BRIGGS AND STRATTON, TECUMSEH AND PEERLESS PARTS AND SERVICE

Briggs & Stratton, Tecumseh and Peerless parts and service should be handled by your nearest authorized engine service firm. Check yellow pages of your telephone directory under the listing **Engines—Gasoline**, Briggs & Stratton or Tecumseh Lauson.

	SYRACUSE
GTP Leisure Products Inc.	420 Marcellus St. 13204
NORTH CAROLINA	GOLDSBORO
Smith Hardware Co.	515 N. George St. 27530
	GREENSBORO
Dixie Sales Company	327 Battleground Ave. 27402
OHIO	CARROLL
Stebe's Mid-State Mower Supply ...	Box 366-71 High St. ... 43112
	CLEVELAND
Bleckrie, Inc.	7900 Lorain Ave. 44102
	WADSWORTH
National Central.	687 Seville Rd. 44281
	YOUNGSTOWN
Burton Supply Co.	1301 Logan Ave. Box 929 .. 44501
OKLAHOMA	ADA
Ada Auto Supply	301 E. 12th St. 74820
	MUSKOGEE
Victory Motors, Inc.	605 S. Cherokee. 74401
	OKLAHOMA CITY
Forest Sales Inc.	1039 NW 63rd St. 73116
OREGON	PORTLAND
Kenton Supply Co.	8216 N. Denver Ave. ... 97217
PENNSYLVANIA	CHESTER
Stull Equipment Corp.	742 W. Front St. 19013
	HARRISBURG
EECO Inc.	4021 N. 6th St. 17110
	PHILADELPHIA
Thompson Rubber Co.	5222-24 N. Fifth St. ... 19120
	PITTSBURGH
Bluemont Co.	11125 Frankstown Rd. 15235
TENNESSEE	KNOXVILLE
Master Repair Service.	2000 Western Ave. ... 37
	MEMPHIS
Memphis Cycle & Supply Co.	421 Monroe Ave. 38103
American Sales & Service, Inc.	1922 Lynnbrook. 38116
TEXAS	DALLAS
Marr Brothers, Inc.	423 E. Jefferson. 75203
	FORT WORTH
Woodson Sales Corp.	1702 N. Sylvania ... 76111
	HOUSTON
Bullard Supply Co.	2409 Commerce St. ... 77003
	SAN ANTONIO
Catto & Putty, Inc.	414 Live Oak ... 78298
UTAH	SALT LAKE CITY
A-1 Engine & Mower Co.	437 E. 9th St. 84111
VERMONT	BURLINGTON
Vermont Hdwe. Co. Inc.	180 Flynn Ave. 05401
VIRGINIA	RICHMOND
RBI Corp.	963 Myers St. 23260
WASHINGTON	SEATTLE
Bailey's Inc.	1414 14th Ave. 98102
WEST VIRGINIA	CHARLESTON
Young's, Inc.	233 Virginia St., E. 25301
WISCONSIN	APPLETON
Automotive Supply Co.	123 S. Linwood Ave. ... 54911

WARRANTY PARTS AND SERVICE POLICY

The purpose of warranty is to protect the customer from defects in workmanship and materials, defects which are NOT detected at the time of manufacture. It does not provide for the unlimited and unrestricted replacement of parts. Use and maintenance are the responsibility of the customer. The manufacturer cannot assume responsibility for conditions which it has no control. Simply put, if it's the manufacturer's fault, it's the manufacturer's responsibility; if it's the customer's fault, it's the customer's responsibility.

CLAIMS AGAINST THE MANUFACTURER'S WARRANTY INCLUDES

1. **Replacement of Missing Parts** on new equipment.
2. **Replacement of Defective Parts** within the warranty period.
3. **Repair of Defects** within the warranty period.

All claims MUST be substantiated with the following information:

1. **Model Number** of unit involved.
2. **Date** unit was purchased or first put into service.
3. **Date of failure.**
4. **Nature of failure.**

Free Manuals Download Website

<http://myh66.com>

<http://usermanuals.us>

<http://www.somanuals.com>

<http://www.4manuals.cc>

<http://www.manual-lib.com>

<http://www.404manual.com>

<http://www.luxmanual.com>

<http://aubethermostatmanual.com>

Golf course search by state

<http://golfingnear.com>

Email search by domain

<http://emailbydomain.com>

Auto manuals search

<http://auto.somanuals.com>

TV manuals search

<http://tv.somanuals.com>