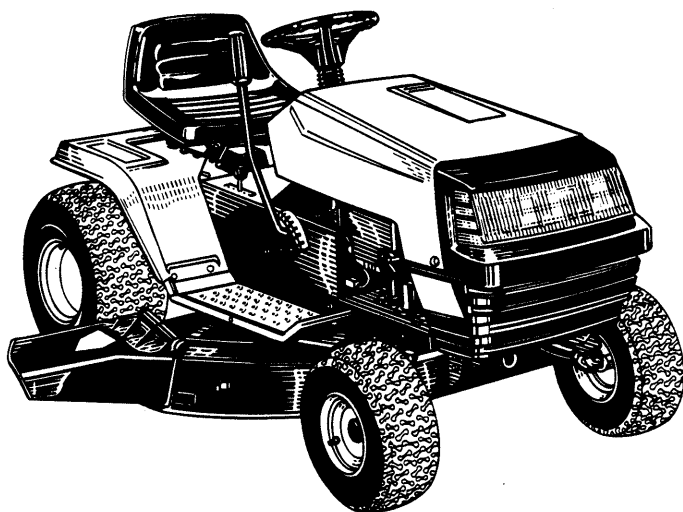


# OWNER'S GUIDE

• ILLUSTRATED PARTS



## TRANSMATIC FRONT ENGINE LAWN TRACTORS 600 Model Series 620 thru 669 Lawn Tractors

### IMPORTANT!

Record the **Model No.** and **Mfg. Code** which appear on your unit in the space below. You **must** have these numbers, along with the date of purchase, in order to receive warranty or service.

MEETS ANSI SAFETY STANDARDS

MODEL NO.

MFG. CODE

**Important:  
Read Safety Rules  
and Instructions Carefully**



Made  
in  
AMERICA

**WARNING:** This unit is equipped with an internal combustion engine and should not be used on or near any unimproved forest-covered, brush-covered or grass-covered land unless the engine's exhaust system is equipped with a spark arrester meeting applicable local or state laws (if any). If a spark arrester is used, it should be maintained in effective working order by the operator.

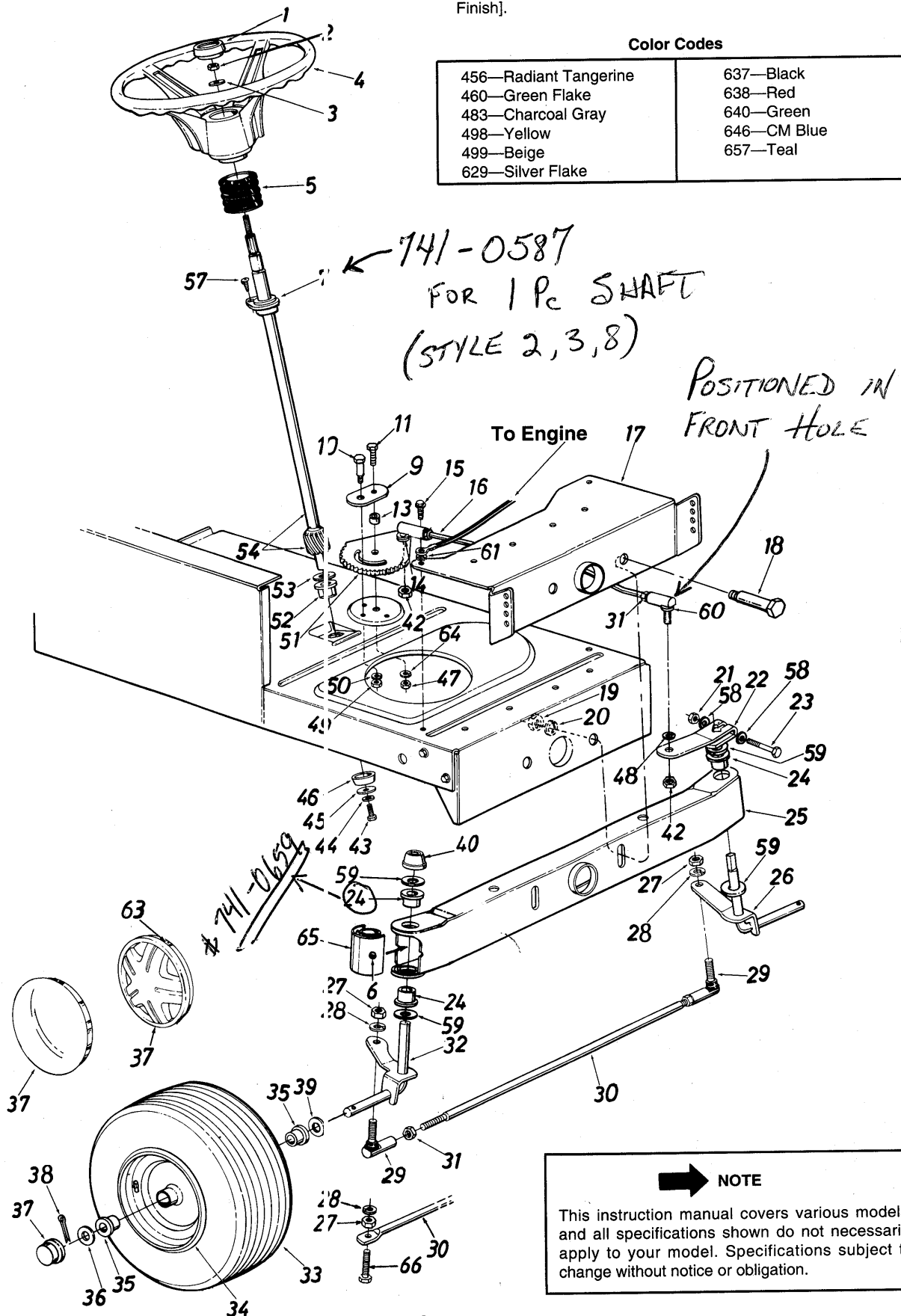
In the State of California the above is required by law (Section 4442 of the California Public Resources Code). Other states may have similar laws. Federal laws apply on federal lands. A spark arrester for the muffler is available through your nearest engine authorized service dealer or contact the service department, P.O. Box 360900, Cleveland, Ohio 44136.

# Models 620 thru 669

CODE: N notates a new part (not previously existing). A three digit number is the color code. Specify color code as shown below if color or finish is important when ordering parts. [i.e., 638 for Red Finish].

### Color Codes

|                       |             |
|-----------------------|-------------|
| 456—Radiant Tangerine | 637—Black   |
| 460—Green Flake       | 638—Red     |
| 483—Charcoal Gray     | 640—Green   |
| 498—Yellow            | 646—CM Blue |
| 499—Beige             | 657—Teal    |
| 629—Silver Flake      |             |



# Model 620 thru 669

## PARTS LIST FOR FRONT ENGINE LAWN TRACTORS

| REF. NO. | PART NO.  | CODE | DESCRIPTION  | REF. NO. | PART NO.  | CODE | DESCRIPTION   |
|----------|-----------|------|--|----------|-----------|------|---|
| 1        | 731-0220  |      | Steering Wheel Cap   | 33       | **        |      | Wheel Ass'y. Comp.  |
| 2        | 712-0237  |      | Hex L-Nut 5/16-24 Thd.                                     | 34       | **        |      | Front Wheel Rim Only  |
| 3        | 736-0242  |      | Belleville Wash. .345" I.D.                                | 35       | **        |      | Bearing   |
| 4        | 731-0805  |      | Steering Wheel (3 Spoke)                                   | 36       | 736-0285  |      | Fl-Wash. .635 I.D. x 1.59" O.D.                             |
|          | 731-0806A |      | Steering Wheel (4 Spoke)                                   |          |           |      |   |
| 5        | 731-0559  |      | Steering Bellow—4.5" (Style 2, 3, 5, 7, 8)                 | 37       | 731-0484A |      | Front Wheel Hub Cap   |
|          | 731-0954  |      | Steering Bellow—9" (Style 0, 4, 6, 9)                      |          | 734-0541  |      | Front Wheel Hub Cap (Chrome—Optional)                       |
| 6        | 737-0280  |      | Grease Fitting (Optional)                                  |          | 734-1503  |      | Spoked Hub Cap (Gray—Optional)                              |
| 7        | 741-0356  |      | Flange Bearing .890 I.D. x 1.36 O.D. (Style 2, 3, 5, 7, 8) |          | 734-1612  |      | Spoked Hub Cap (Beige—Optional)                             |
| 9        | 17198A    | N    | Retainer Plate   | 38       | 714-0470  |      | Cotter Pin 1/8" Dia. x 1.25"                                |
| 10       | 738-0141  |      | Shoulder Bolt .437" Dia. x .35 Lg. 5/16-18 Thd.            | 39       | 736-0187  |      | Fl-Wash. .640" I.D. x 1.24" O.D.                            |
| 11       | 710-0152  |      | Hex Bolt 3/8-24 x 1.0" Lg. (Grade 5)                       | 40       | 726-0214  |      | Push Cap 5/8" Dia. Rod                                      |
| 13       | 750-0535  |      | Spacer .380" I.D. x .625" O.D. x .227                      | 42       | 712-0446  |      | Hex Jam Nut 3/8-24 Thd.                                     |
| 14       | 736-0169  |      | L-Wash. 3/8" I.D.*   | 43       | 710-0538  |      | Hex L-Bolt 5/16-18 x .62"                                   |
| 15       | 710-0726  |      | Hex Wash. Hd. Self-Tap Scr.                                | 44       | 736-0119  |      | L-Wash. 5/16" I.D.*   |
| 16       | 711-0788  |      | Steering Drag Link   | 45       | 736-0343  |      | Fl-Wash. .33" I.D. x 1.25" O.D.                             |
| 17       | 17621     |      | Front Pivot Brkt.  | 46       | 750-0532  |      | Spacer (Plastic)  |
| 18       | 738-0527  |      | Shoulder Bolt .498" Dia. x 2.04 Lg. 3/8-16 Thd.            | 47       | 712-0214  |      | Hex Cent. L-Nut 3/8-24 Thd.                                 |
| 19       | 712-0798  |      | Hex Nut 3/8-16 Thd.*                                       | 48       | 736-0169  |      | L-Wash. 3/8" I.D.*  |
| 20       | 736-0169  |      | L-Wash. 3/8" I.D.*   | 49       | 712-0158  |      | Hex Cent. L-Nut 5/16-18 Thd.                                |
| 21       | 712-0237  |      | Hex Cent. L-Nut 5/16-24 Thd.                               | 50       | 736-0119  |      | L-Wash. 5/16" I.D.*   |
| 22       | 16481A    |      | Steering Arm Front Axle                                    | 51       | 717-0622A |      | Steering Gear Segment                                       |
| 23       | 710-0772  |      | Hex Bolt 5/16-24 x 2.00" Lg. (Grade 5)                     | 52       | 741-0225  |      | Hex Flg. Brg. .634 I.D.                                     |
| 24       | 741-0487A | N    | Hex Flg. Brg. .632 I.D.                                    | 53       | 736-0187  |      | Fl-Wash. (Hardened)   |
| 25       | 683-0002  | N    | Pivot Bar Ass'y.   | 54       | 738-0743  |      | Steering Shaft  |
| 26       | **        |      | Front Axle Ass'y.—L.H.                                     | 55       | 710-0837  |      | Oval Hd. Cr.—Sunk Scr. #10 x 5/8" Lg. (Style 2, 3, 5, 7, 8) |
| 27       | 712-0241  |      | Hex Nut 3/8-24 Thd.*                                       | 58       | 736-0271  |      | Wave-Wash. .32" I.D. x .62" O.D.                            |
| 28       | 736-0169  |      | L-Wash. 3/8" I.D.*   | 59       | 736-0187  |      | Fl-Wash. (Hardened)   |
| 29       | 723-3018  |      | Ball Joint 3/8-24 Thd.                                     | 60       | 723-3018  |      | Drag Link Ball Joint 3/8-24 Thd.                            |
| 30       | 747-0753  |      | Tie Rod (Adjustable)                                       | 61       | 736-0607  |      | Ext. L-Wash. 5/16" I.D.                                     |
|          | 747-0861  | N    | Tie Rod (Non-Adjustable)                                   | 63       | 727-0425A |      | Spring Clip (Used w/Spoked Hub Cap)                         |
| 31       | 712-0711  |      | Hex Jam Nut 3/8-24 Thd.*                                   | 64       | 736-0356  |      | Bell-Wash. .39" I.D. x 1.38" O.D.                           |
| 32       | **        |      | Front Axle Ass'y.—R.H.                                     | 65       | 731-1291  | N    | Pivot Bar End Cap (Optional)                                |
|          |           |      |  | 66       | 710-0459  |      | Hex Bolt 3/8-24 x 1.5" Lg. (Gr. 5)                          |

\*For faster service obtain standard nuts, bolts and washers locally. If these items cannot be obtained locally, order by part number and size as shown on parts list.

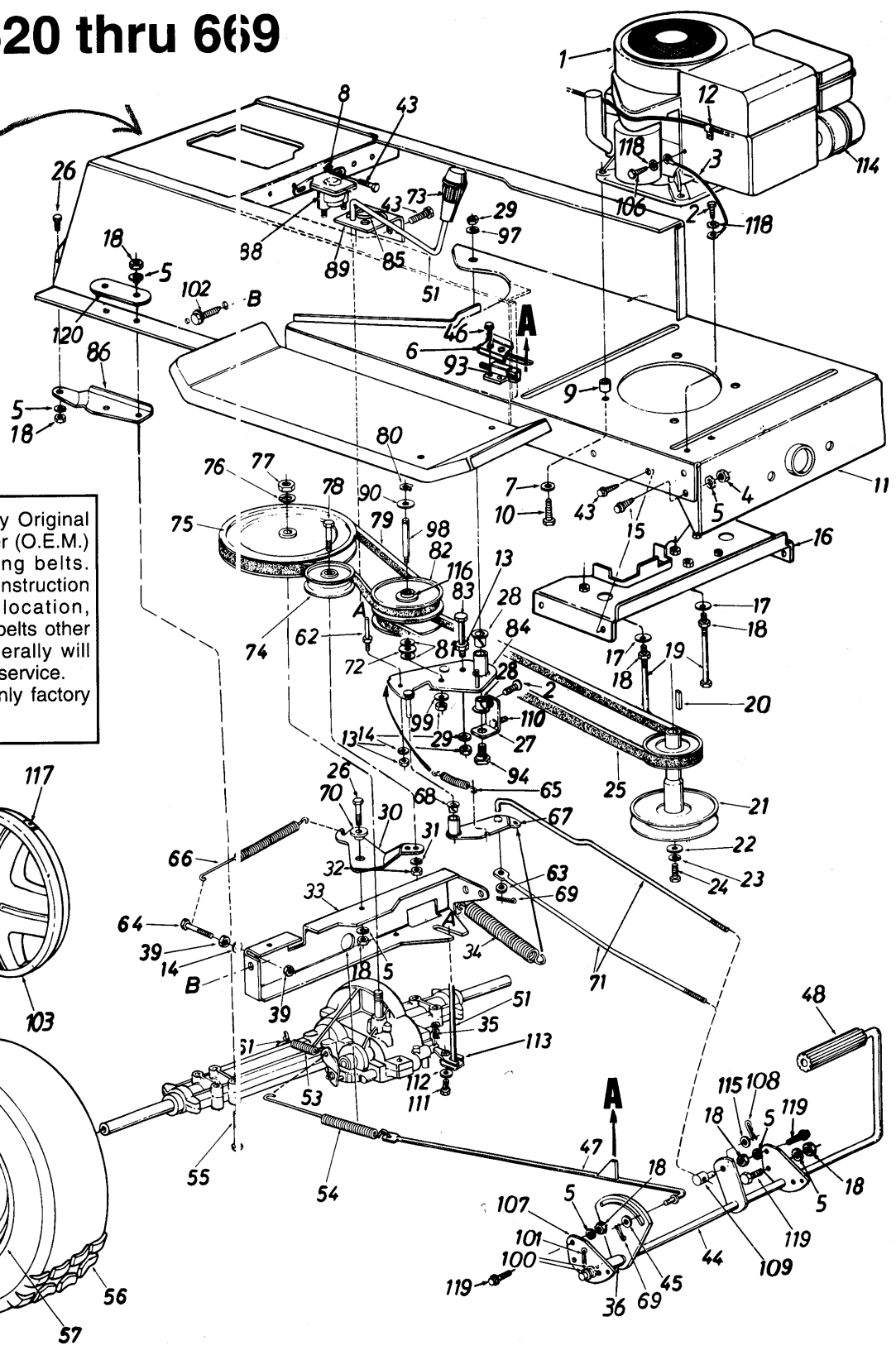
### \*\*FRONT WHEEL CHART

| Description               | 15" x 6" w/Plastic Bearing | 13" x 5" w/Plastic Bearing | 15" x 6" w/Ball Bearing | 13" x 6" w/Ball Bearing |
|---------------------------|----------------------------|----------------------------|-------------------------|-------------------------|
| Wheel Ass'y. Comp.        | 634-0056                   | 634-0057                   | 634-0059                | 634-0060                |
| Tire Only                 | 734-0864                   | 734-0298                   | 734-0864                | 734-1421                |
| Rim Only                  | 634-0024                   | 634-0050                   | 634-0051                | 634-0051                |
| Bearing                   | 741-0487A                  | 741-0487A                  | 741-0569                | 741-0569                |
| Air Valve                 | 734-0255                   | 734-0255                   | 734-0255                | 734-0255                |
| Grease Fitting (Optional) | 737-0211 PLASTIC           | 737-0211                   | 737-0280                | 737-0280                |
| Grease Plug               | 737-0212                   | 737-0212                   | —                       | —                       |
| Front Axle Ass'y.—L.H.    | 17585                      | 16480                      | 17585                   | 16480                   |
| Front Axle Ass'y.—R.H.    | 17584                      | 15840                      | 17584                   | 15840                   |

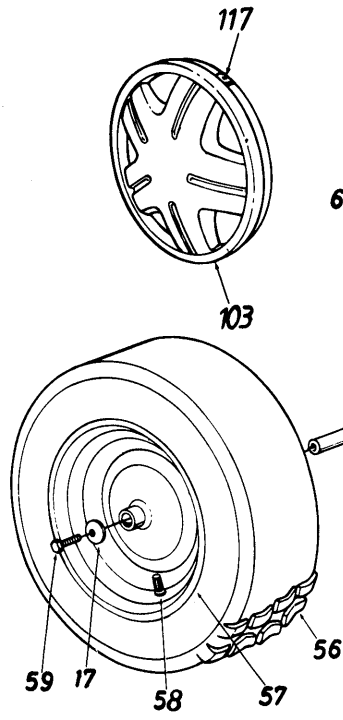
Note: If brand of tire is important, order by part number and description (description is printed on the sidewall of tire) [i.e. Armstrong Super Turf, Goodyear Softrac, Carlisle Turf Saver, etc.].

# Models 620 thru 669

17953



**IMPORTANT:** Use only Original Equipment Manufacturer (O.E.M.) V-belts when replacing belts. They are of special construction (type of cord, cord location, length, etc.). Use of V-belts other than O.E.M. belts generally will provide only temporary service. For best results, use only factory approved parts.



**\*\*REAR WHEEL CHART**

| Description        | 18" x 9.50" | 18" x 8.50" | 18" x 6.50" | 20" x 8.0" | 20" x 10.0" |
|--------------------|-------------|-------------|-------------|------------|-------------|
| Wheel Ass'y. Comp. | 734-0817    | 734-0601    | 734-0592    | 734-1675   | 734-1064    |
| Tire Only          | 734-0448    | 734-0516    | 734-0294    | 734-1596   | 734-1065    |
| Rim Only           | 734-0603A   | 734-0603A   | 734-0594    | 734-0603A  | 734-0603A   |

Note: If brand of tire is important, order by part number and description (description is printed on the sidewall of tire [i.e. Armstrong Super Turf, Goodyear Softrac, Carlisle Turf Saver, etc.]).

# Models 620 thru 669

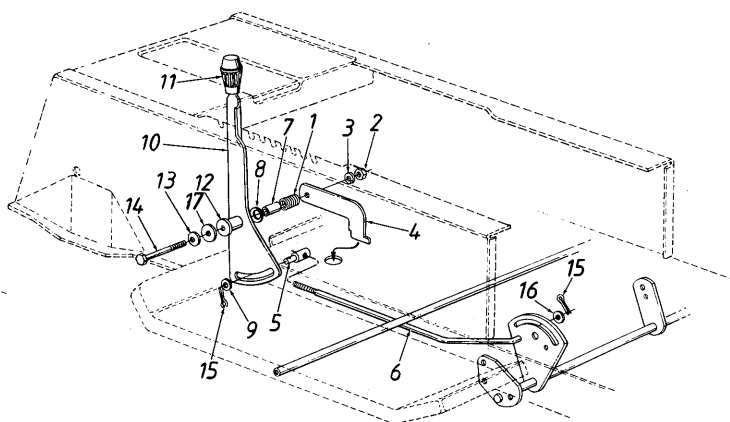
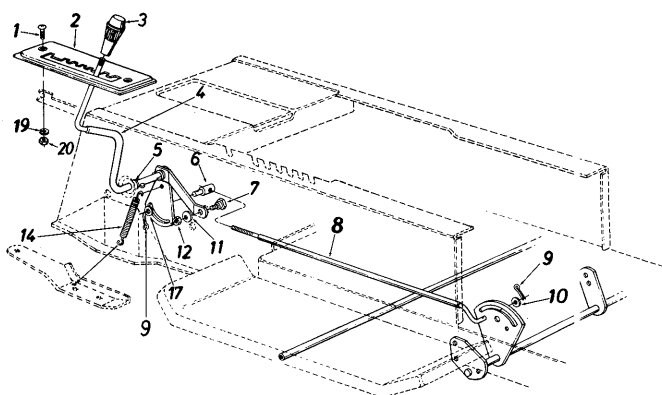
## PARTS LIST FOR FRONT ENGINE LAWN TRACTORS

| EF. NO. | PART NO.  | CODE  | DESCRIPTION   | REF. NO. | PART NO.  | CODE | DESCRIPTION  |
|---------|-----------|-------|---|----------|-----------|------|--|
| 1       | —         |       | Engine  | 55       | 710-1068  |      | Hex Bolt 5/16-18 x 3.5" Lg.                        |
| 2       | 710-0726  |       | Hex Wash. AB-Tap Scr. 5/16" x .75"                  |          | 710-0176  |      | (Used w/18" Wheels)                                |
| 3       | 725-0980  |       | Electric Ground Wire                                |          |           |      | Hex Bolt 5/16-18 x 2.75"                           |
| 4       | 712-0123  |       | Hex Nut 5/16-24 Thd.*                               | 56       | **        |      | (Used w/20" Wheels)                                |
| 5       | 736-0119  |       | L-Wash. 5/16" I.D.*                                 | 57       | **        |      | Wheel Ass'y. Comp.                                 |
| 6       | 17962     |       | Switch Plate  | 58       | 734-0255  |      | Wheel Rim Only                                     |
| 7       | 736-0247  |       | FI-Wash. .406" I.D. x 1.25"                         | 59       | 710-0627  |      | Air Valve (Service Only)                           |
| 9       | 750-0777  |       | Spacer  | 61       | 732-0454  |      | Hex Bolt 5/16-24 x .75" Lg.*                       |
| 8       | 736-0222  |       | Ext. L-Wash. 1/4" I.D.                              | 62       | 711-0768  |      | Brake Return Spring Anchor                         |
| 10      | 710-1007  |       | Hex L-Wash. Tap Scr. 3/8-16 x 1.5" Lg. (B&S)        | 63       | 736-0275  |      | Belt Guard Pin 1/4-20 Thd.                         |
|         | 710-0650  |       | Hex Wash. Hd. TT-Tap Scr. 5/16-18 x 7/8" Lg. (Tec.) | 64       | 710-0428  |      | FI-Wash. .34" I.D. x .68" O.D.                     |
| 11      | 17620C    | N     | Lower Frame Ass'y.                                  | 65       | 732-0568  |      | Hex Bolt 1/4-28 x 1.25" Lg.*                       |
| 12      | 726-0235  |       | Speed Clip  | 66       | 732-0384  |      | Ext. Spring  |
| 13      | 712-0287  |       | Hex Nut 1/4-20 Thd.*                                | 67       | 16554A    |      | Ext. Spring .62" O.D. x 6.12"                      |
| 14      | 736-0329  |       | L-Wash. 1/4" I.D.*                                  |          |           |      | Variable Speed Torque Brkt. Ass'y.                 |
| 15      | 710-1012  |       | Rib Neck Bolt 5/16-24 x .84" Lg.                    | 68       | 741-0419  |      | Variable Speed Torque Brkt. Ass'y. (30" Deck Only) |
| 16      | 17893     |       | Belt Guard Brkt. Ass'y.                             | 69       | 714-0111  |      | Flanged Bearing                                    |
| 17      | 736-0242  |       | Bell-Wash. .345" I.D. x .88"                        | 70       | 748-0234  |      | Cotter Pin 3/32" Dia.*                             |
| 18      | 712-0267  |       | Hex Nut 5/16-18 Thd.*                               | 71       | 747-0530A |      | Shoulder Spacer .27" Lg.                           |
| 19      | 710-0190  |       | Hex Bolt 5/16-18 x 4.0"**                           |          | 747-0512  |      | Speed Control Link                                 |
| 20      | 714-0114  |       | Sq. Key 1/4" x 1/4" x 2.00"                         |          |           |      | Speed Control Link (30" Deck Only)                 |
| 21      | 756-0488  |       | Engine Pulley                                       | 72       | 741-0405  |      | Truss Bearing .56 Dia. x 1.25"                     |
| 22      | 736-0322  |       | FI-Wash. 7/16" I.D. x 1.25"                         | 73       | 720-0232  |      | Shift Knob   |
| 23      | 736-0171  |       | L-Wash. 7/16" I.D.*                                 | 74       | 756-0437  |      | FI-Idler Pulley 3.25" x .75"                       |
| 24      | 710-0757  |       | Hex Bolt 7/16-20 x 1.50" Lg.                        | 75       | 656-0005  |      | "V"-Pulley (Used w/18" Wheels)                     |
| 25      | 754-0280  |       | Variable-Speed Belt                                 |          |           |      | "V"-Pulley (Used w/20" Wheels)                     |
| 26      | 710-0118  |       | Hex Bolt 5/16-18 x .75" Lg.                         |          | 656-0004  |      | Bell-Wash. .56" I.D. x 1.125"                      |
| 27      | 17963     |       | Bearing Shaft Bracket Ass'y.                        |          |           |      | Hex Jam Nut 9/16-18 Thd.                           |
| 28      | 741-0591  | N     | Flanged Nylon Brg. .63" I.D. x .6" Lg.              | 76       | 736-0427  |      | Hex Bolt 3/8-24 x 1.75" Lg.                        |
| 29      | 712-0241  |       | Hex Nut 3/8-24 Thd.*                                | 77       | 712-3035  |      | Variable Speed Belt                                |
| 30      | 17643     |       | Idler Bracket (Used w/20" Wheels)                   | 78       | 710-0539  |      | Snap Ring .56" Dia.                                |
|         | 17694     |       | Idler Bracket (Used w/18" Wheels)                   | 79       | 754-0370  |      | FI-Wash.   |
|         |           |       |   | 80       | 716-0114  |      | Variable Speed Pulley Ass'y. 5" O.D.               |
| 31      | 736-0169  |       | L-Wash. 3/8" I.D.*                                  | 81       | 736-0355  | N    | Hex Bolt 1/4-20 x 3.5" Lg.                         |
| 32      | 712-0241  |       | Hex Nut 3/8-24 Thd.*                                | 82       | 717-0800A |      | Variable Speed Brkt. Ass'y.                        |
| 33      | 17629A    | N     | Transaxle Support Brkt.                             | 83       | 710-1223  |      | Comp. Spring—Clip                                  |
| 34      | 732-0556  |       | Ext. Spring .94" O.D. x 7.58"                       | 84       | 16354B    |      | Axle Support Brkt.—R.H.                            |
| 35      | 714-0149B | 3-0-9 | Inter. Cott-Pin 0209                                | 85       | 732-0525  |      | Axle Support Brkt.—L.H. (Not Shown)                |
| 36      | 750-0802  |       | Spacer .63" I.D.                                    | 86       | 17668     |      | Solenoid   |
| 39      | 712-0138  |       | Hex Nut 1/4-28 Thd.                                 |          | 17669     |      | Shift Lever Bracket                                |
| 43      | 710-0599  |       | Hex Wash. Hd. S-Tap Scr. 1/4-20 x .50" Lg.          | 88       | 725-1426  |      | Teflon Washer .565" I.D.                           |
| 44      | 17715A    |       | Clutch/Brake Pedal Ass'y.                           | 89       | 17630     |      | Safety Switch (Clutch)                             |
| 45      | 736-0117  |       | FI-Wash.  | 90       | 736-0414  |      | Shld. Bolt 3/8-24 x 3.12" Lg.                      |
| 46      | 710-0351  |       | Truss Mach. Scr. B-Tap Scr. #10 x .5" Lg.           | 93       | 725-3169A |      | Transaxle Spacer (Used w/18" Wheels)               |
| 47      | 17686A    | N     | Brake Rod Ass'y.                                    | 94       | 738-0755  |      | Bell-Wash. .38" I.D. x .88"                        |
| 48      | 735-0196  |       | Foot Pad  | 96       | 748-0334  |      | Shaft .56" Dia. x 3.875" Lg.                       |
| 51      | 17705     |       | Shift Lever Ass'y.                                  | 97       | 736-0105  |      | Bell-Wash. .39" I.D. x 1.12"                       |
| 53      | 732-0264  |       | Ext. Spring .38" O.D. x 2.5"                        | 98       | 738-0569  |      | FI-Wash. .64" I.D. x .94"                          |
| 54      | 732-0413  |       | Ext. Spring 7.08" (Used w/20" Wheels)               | 99       | 736-0331  |      | Cotter Pin 1/8" Dia. x 1.25"                       |
|         | 732-0642  |       | Ext. Spring 7.33" (Used w/18" Wheels)               | 100      | 736-0256  |      | Hex Wash. Hd. Scr. 5/16-18 x .62" Lg.              |
|         |           |       |   | 101      | 714-0470  |      |  |
|         |           |       |   | 102      | 710-0604  |      |  |

**PARTS LIST FOR FRONT ENGINE LAWN TRACTORS (CONTINUED)**

| REF. NO. | PART NO. | CODE | DESCRIPTION                           | REF. NO. | PART NO.  | CODE | DESCRIPTION                          |
|----------|----------|------|---------------------------------------|----------|-----------|------|--------------------------------------|
| 103      | 734-1504 |      | Hub Cap (Gray—Optional)               | 112      | 736-0270  |      | Bell-Wash. .265" I.D. x .75"         |
|          | 734-1614 |      | Hub Cap (Beige—Optional)              | 113      | 17707     |      | Shift Lever Link Ass'y.              |
| 106      | 710-0323 |      | Pan Hd. Mach. Scr. 5/16-18 x .75" Lg. | 114      | —         |      | Muffler (Refer to Style Sheet)       |
| 107      | 17860    |      | Pedal Bracket                         | 115      | 736-0140  |      | FI-Wash. .385" I.D. x .62"           |
| 108      | 714-0470 |      | Cotter Pin 1/8" Dia. x 1.25"          | 116      | 741-0404  |      | Needle Brgs. (2 Req'd.)              |
| 109      | 711-0198 |      | Ferrule                               | 117      | 727-0425A |      | Spring Clip (Used w/Ref. #103)       |
| 110      | 710-0376 |      | Hex Bolt 5/16-18 x 1.0" Lg.—(Gr. 5)   | 118      | 736-0607  |      | External L-Wash. 5/16" I.D.          |
|          |          |      |                                       | 119      | 710-0650  |      | Hex Wash. TT-Tap Scr. 5/16-18 x .75" |
| 111      | 710-0195 |      | Hex Bolt 1/4-28 x .50" Lg.            | 120      | 17840     |      | Transaxle Mtg. Brkt.                 |

## Models 620 thru 669



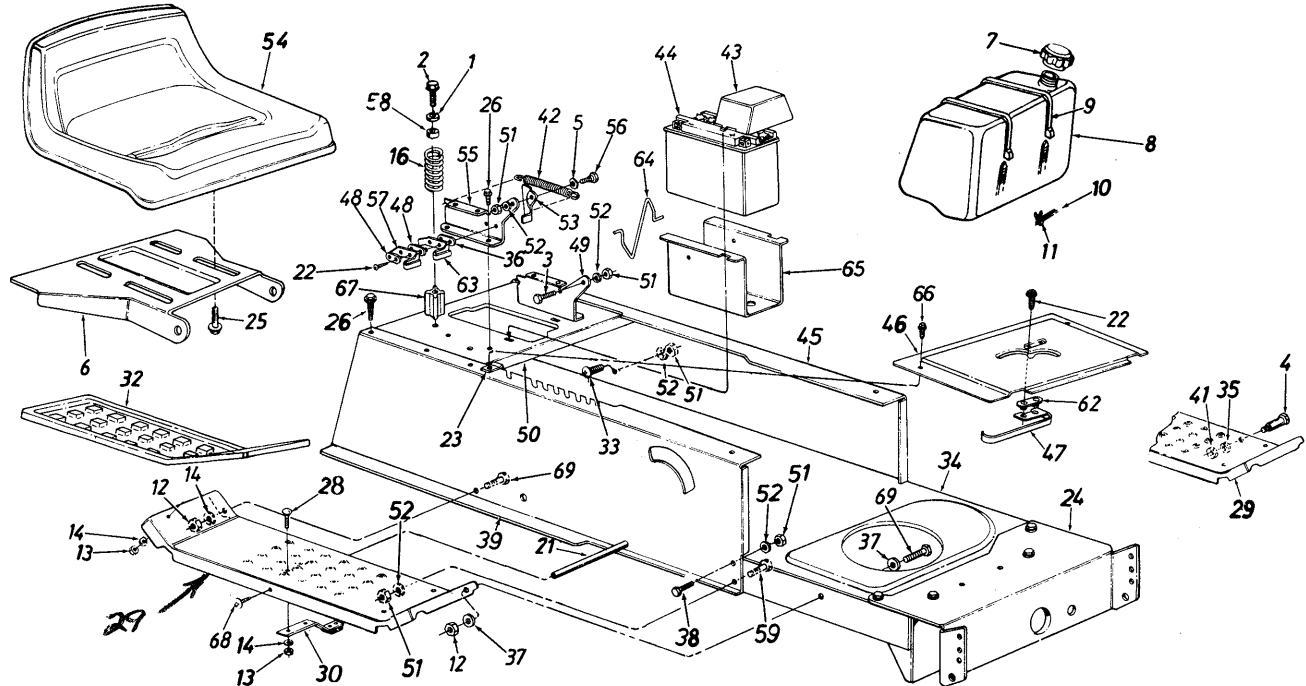
**PARTS LIST FOR FRONT ENGINE LAWN TRACTORS**

| REF. NO. | PART NO.  | CODE | DESCRIPTION                        |
|----------|-----------|------|------------------------------------|
| 1        | 710-0924  |      | Truss Mach. Scr. 1/4-20 x .75" Lg. |
| 2        | 16195     |      | 5-Speed Selector Plate             |
|          | 16236     |      | 6-Speed Selector Plate             |
|          | 16194     |      | 7-Speed Selector Plate             |
| 3        | 720-0218  |      | Shift Knob                         |
| 4        | 16192A    |      | Speed Selector Lever Ass'y.        |
| 5        | 736-0192  |      | Flat Washer .53" I.D. x .93"       |
| 6        | 711-0198  |      | Ferrule 3/8-24 x .37" Dia.         |
| 7        | 738-0155  |      | Shoulder Bolt                      |
| 8        | 747-0503A |      | Speed Control Link                 |
| 9        | 714-0111  |      | Cotter Pin 3/32" Dia. x 1.0"       |
| 10       | 736-0226  |      | FI-Wash. .469" I.D. x .38"         |
| 11       | 736-0119  |      | L-Wash. 5/16" I.D.*                |
| 12       | 712-0267  |      | Hex Nut 5/16-18 Thd.*              |
| 14       | 732-0303  |      | Spring .38" O.D. x 3.13" Lg.       |
| 17       | 736-0140  |      | FI-Wash. .385" I.D. x .32"         |
| 19       | 736-0329  |      | L-Wash. 1/4" I.D.*                 |
| 20       | 712-0287  |      | Hex Nut 1/4-20 Thd.*               |

**PARTS LIST FOR FRONT ENGINE LAWN TRACTORS**

| REF. NO. | PART NO.  | CODE | DESCRIPTION                       |
|----------|-----------|------|-----------------------------------|
| 1        | 732-0645  |      | Compression Spring                |
| 2        | 712-0267  |      | Hex Nut 5/16-18 Thd.*             |
| 3        | 736-0119  |      | L-Wash. 5/16" I.D.*               |
| 4        | 17956     |      | Shift Lever Support               |
| 5        | 711-0198  |      | Ferrule 3/8-24 Thd.               |
| 6        | 747-0787  |      | Speed Control Rod                 |
| 7        | 750-0662  |      | Spacer 1.56" Lg.                  |
| 8        | 736-0253  |      | Bell-Wash. .505" I.D. x 1" O.D.   |
| 9        | 736-0300  |      | FI-Wash. .385" I.D. x .87" O.D.   |
| 10       | 17888A    | N    | Speed Selector Lever              |
| 11       | 720-0232  |      | Shift Knob                        |
| 12       | 750-0913  | N    | Spacer 1.46" Lg.                  |
| 13       | 736-0242  |      | Bell-Wash. .345" I.D. x .88" O.D. |
| 14       | 710-3056  |      | Hex Bolt 5/16-18 x 3.25" Lg.      |
| 15       | 714-0111  |      | Cotter Pin 3/32" Dia. x 1" Lg.    |
| 16       | 736-0226  |      | FI-Wash. .469" I.D. x .88"        |
| 17       | 736-0418A |      | FI-Wash. .34" I.D. x 2.25"        |

# Models 620 thru 669

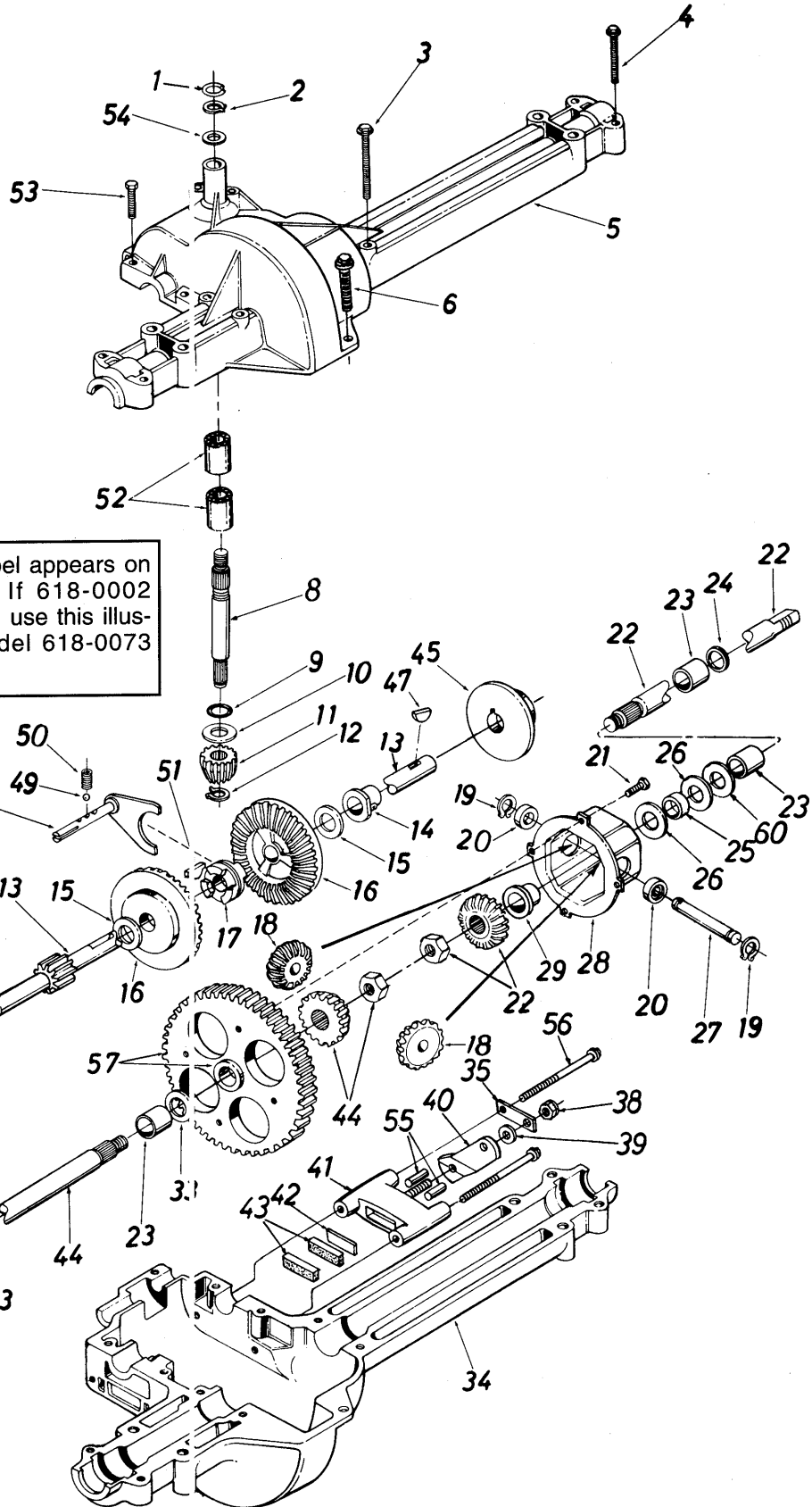


**PARTS LIST FOR FRONT ENGINE LAWN TRACTORS**

| REF. NO. | PART NO.    | CODE | DESCRIPTION                                | REF. NO. | PART NO.  | CODE  | DESCRIPTION                              |
|----------|-------------|------|--|----------|-----------|-------|--|
| 1        | 736-0159    |      | FI-Wash. .344" I.D. x .875"                | 38       | 710-0118  |       | Hex Bolt 5/16-18 x .75" Lg.*             |
| 2        | 710-1208    | N    | Hex Wash. Hd. Tap Scr. 5/16-18 x 3.25" Lg. | 39       | 17622B    | 638/N | Upper Frame—R.H.                         |
| 3        | 738-0155    |      | Shld. Bolt .437" Dia. x .162"              | 41       | 712-0798  |       | Hex Nut 3/8-16 Thd.*                     |
| 4        | 738-0145    |      | Shld. Bolt .50" Dia. x .84"                | 42       | 732-0581B |       | Extension Spring 5.31" Lg.               |
| 5        | 736-0141    |      | Spr-Wash. .445" I.D. x .75                 | 43       | 731-1200  |       | Battery Cover                            |
| 6        | 15607D      |      | Seat Pivot Bracket                         | 44       | 725-0514A |       | 12-V Battery                             |
| 7        | 751-3071    |      | Fuel Cap                                   | 45       | 17623     | 638   | Upper Frame—L.H.                         |
| 8        | 751-0553    |      | Fuel Tank                                  | 46       | —         |       | Shift Cover (Refer to Style Sheet)       |
| 9        | 726-0209    |      | Tie Strap                                  | 47       | 725-1643  | N     | Reverse Safety Switch                    |
| 10       | 751-0535-15 |      | Fuel Line                                  | 48       | 726-0279  |       | Insulator Plate                          |
| 11       | 726-0205    |      | Hose Clamp                                 | 49       | 17951     |       | Seat Pivot Brkt. Support—L.H.            |
| 12       | 712-0138    |      | Hex Nut 1/4-28 Thd.                        | 50       | 17953     |       | Hitch Plate                              |
| 13       | 712-0287    |      | Hex Nut 1/4-20 Thd.*                       | 51       | 712-0267  |       | Hex Nut 5/16-18 Thd.*                    |
| 14       | 736-0329    |      | L-Wash. 1/4" I.D.                          | 52       | 736-0119  |       | L-Wash. 5/16" I.D.*                      |
| 16       | 732-0672    |      | Compression Spring                         | 53       | 17239A    |       | Seat Lift Brkt.                          |
| 21       | 738-0526    |      | Running Board Rod                          | 54       | 757-0345  |       | Seat 8-7/8" High                         |
| 22       | 710-0227    |      | Hex Wash. Hd. AB-Tap Scr. #8 x .50" Lg.    |          | 757-0338  |       | Seat 10-5/8" High                        |
| 23       | 726-0139    |      | Speed Nut #10Z                             |          | 757-0350  |       | Seat 14 1/4" High                        |
| 24       | 17621       |      | Front Pivot Brkt.                          | 55       | 17950     |       | Seat Pivot Brkt. Support—R.H.            |
| 25       | 710-0623    |      | Hex Tap Scr. 3/8-16 x .75"                 | 56       | 738-0296  |       | Shld. Bolt .437" Dia. x .268"            |
| 26       | 710-0726    |      | Hex Wash. Hd. AB-Tap Scr. 5/16 x .75" Lg.  | 57       | 725-1303  |       | Spring Switch                            |
| 28       | 710-0134    |      | Carriage Bolt 1/4-20 x .62**               | 58       | 722-0160  |       | Bushing                                  |
| 29       | 17770       |      | Running Board (R.H. & L.H.)                | 59       | 710-0650  |       | Hex Wash. TT-Tap Scr. 5/16-18 x 7/8" Lg. |
| 30       | 761-0168A   |      | Blade Brake Ass'y.                         | 62       | 726-0320  |       | Insulator Nut Plate                      |
| 32       | 731-0909    |      | Rubber Foot Pad—L.H.**                     | 63       | 725-1439  |       | Safety Switch (Seat)                     |
|          | 731-0910    |      | Rubber Foot Pad—R.H.**                     | 64       | 732-0674  |       | Battery Tray Clip                        |
|          | 723-0422    |      | Abrasive Foot Pad**                        | 65       | 17952     | N     | Battery Tray                             |
| 33       | 710-0323    |      | Truss Mach. Scr. 5/16-18 x .75" Lg.*       | 66       | 710-0351  |       | Truss Mach. B-Tap Scr. #10 x .5" Lg.     |
| 34       | 17620C      | N    | Lower Frame                                | 67       | 748-0347  | N     | Spring Spacer                            |
| 35       | 736-0169    |      | L-Wash. 3/8" I.D.*                         | 68       | 710-1221  | N     | Pan Hd. Cutting Scr. 5/16-18 x .75" Lg.  |
| 36       | 726-0278    |      | Insulator Boss Plate                       | 69       | 710-0412  |       | Hex Bolt 1/4-28 x .75" Lg.               |
| 37       | 736-0463    |      | FI-Wash. .25" I.D. x .625" O.D.            |          |           |       |  |

\*\*Optional Parts

# Models 620 thru 669



**IMPORTANT:** A model label appears on the transaxle housing. If 618-0002 appears on your transaxle, use this illustrated parts list. For model 618-0073 refer to pages 10 and 11.

3/4

**SINGLE SPEED TRANSAXLE—R.H.  
MODEL 618-0002**



# Models 620 thru 669

## PARTS LIST FOR SINGLE SPEED TRANSAXLE RIGHT HAND 618-0002

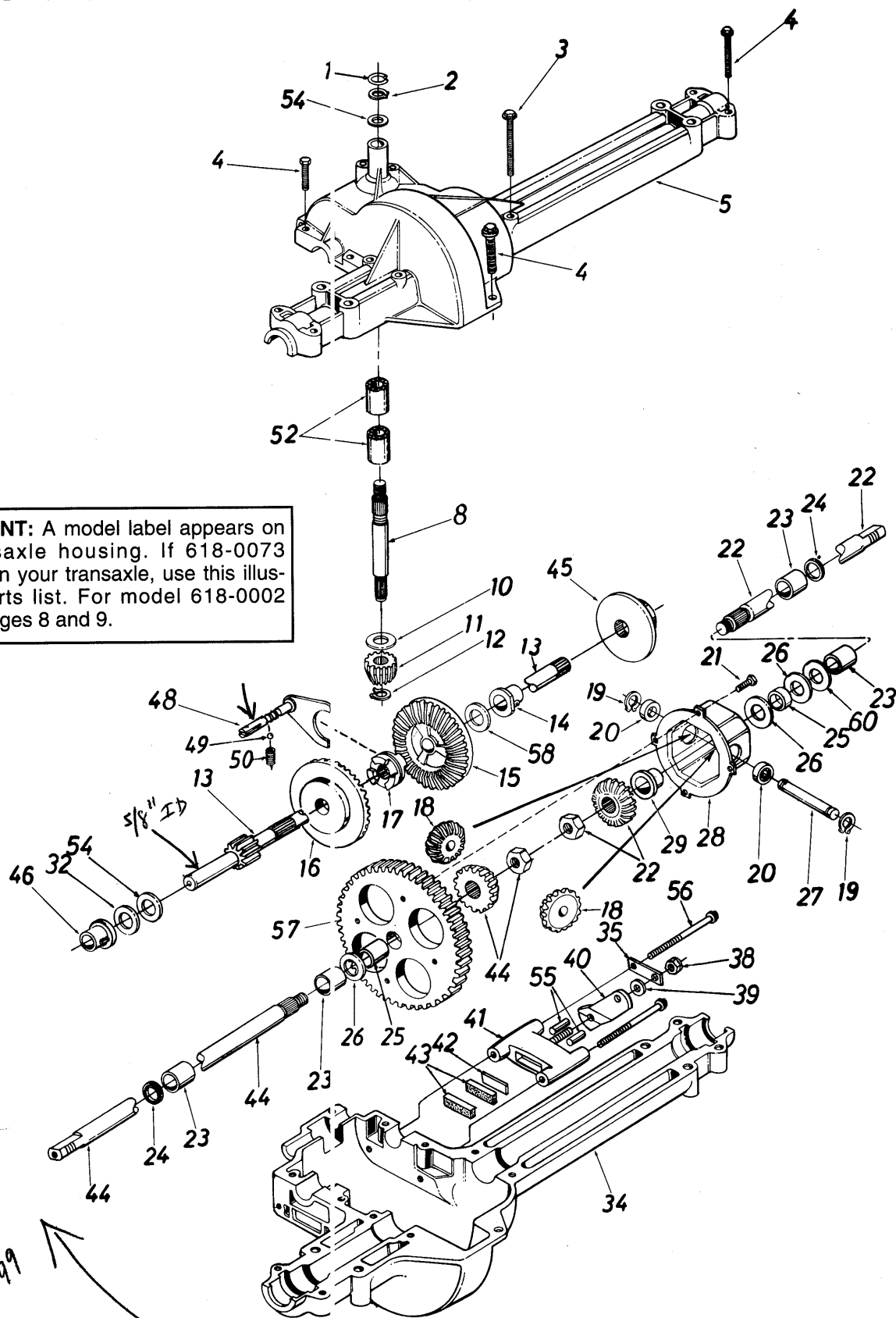
| REF. NO. | PART NO.  | CODE | DESCRIPTION                             | REF. NO. | PART NO. | CODE | DESCRIPTION                                   |
|----------|-----------|------|---|----------|----------|------|---|
| 1        | 732-0614  |      | Wire Ring                               | 34       | 719-0303 |      | Lower Housing                                 |
| 2        | 716-0108  |      | Retaining—Ring                          | 35       | 718-0150 |      | Anti-Rotation Brkt.                           |
| 3        | 710-0854  |      | Hex Bolt 1/4-20 x 1.75" Lg.*            | 38       | 712-0273 |      | Hex Nut 5/16-24 Thd.                          |
| 4        | 710-0809  |      | Hex Tap Scr. 1/4-20 x 1.25" Lg.         | 39       | 736-0371 |      | Fl-Wash. .344" I.D. x .875" O.D.              |
| 5        | 717-0764A |      | Upper Housing                           |          |          |      |   |
| 6        | 710-0642  |      | Hex TT-Tap Scr. 1/4-20 x .75" Lg.       | 40       | 717-0700 |      | Actuating Arm                                 |
|          |           |      |   | 41       | 761-0198 |      | Brake Yoke                                    |
| 8        | 711-0861  |      | Input Shaft                             | 42       | 717-0682 |      | Puck Plate                                    |
| 9        | 721-0178  |      | Square Seal 5/8" I.D.                   | 43       | 717-0678 |      | Brake Puck                                    |
| 10       | 736-0335  |      | Thrust Washer 5/8" I.D. x 1.25" O.D.    | 44       | 717-0538 |      | Axle L.H. Ass'y.                              |
|          |           |      |   | 45       | 717-0677 |      | Brake Disc                                    |
| 11       | 717-0633  |      | Pinion Input 14T                        | 46       | 741-0337 |      | Flange Bearing 5/8" I.D. x 15/16" Lg.         |
| 12       | 716-0171  |      | Retaining Ring                          |          |          |      |   |
| 13       | 717-0758  |      | Drive Shaft                             | 47       | 714-0161 |      | Woodruff Key 3/16 x 5/8 HT                    |
| 14       | 741-0336  |      | Flange Brg. 5/8" I.D. x 3/4" Lg.*       | 48       | 717-0754 |      | Shift Fork Ass'y.                             |
|          |           |      |   | 49       | 741-0862 |      | Ball Detent .250" Dia.                        |
| 15       | 736-0335  |      | Fl-Wash. 5/8" I.D. x 1.25"              | 50       | 732-0863 |      | Spring Detent                                 |
| 16       | 717-0757  |      | Bevel Gear 42T                          | 51       | 714-0169 |      | #9 Hi-Pro Key 3/16" x 3/4" Dia. HT            |
| 17       | 717-0667  |      | Clutch Collar                           |          |          |      |   |
| 18       | 717-1020  |      | Miter Gear 15T (H.D.)                   | 52       | 741-0335 |      | Needle Brg. 5/8" I.D. x 1/2" Lg.              |
| 19       | 716-0184  |      | Snap Ring                               |          |          |      |   |
| 20       | 741-0589  |      | Thrust Bearing                          | 53       | 710-0855 |      | Hex Bolt 1/4-20 x 1.00" Lg.                   |
| 21       | 710-0862A |      | Pan Head Scr. 1/4-20 x .50" Lg. w/Patch | 54       | 736-0349 |      | Fl-Wash. 5/8" I.D. x 1" O.D. x .020 Thk.      |
| 22       | 717-0539  |      | Axle R.H. Ass'y.                        | 55       | 741-0343 |      | Actuating Pin 5/16" Dia.                      |
| 23       | 741-0340  |      | Sleeve Bearing 3/4" I.D. x 1.0" Lg.     | 56       | 710-1206 |      | Hex Wash Hd. Self-Tap Scr. 1/4-20 Thd.        |
| 24       | 721-0179  |      | Oil Seal 3/4" I.D.                      | 57       | 717-0767 |      | Differential Gear 72T Ass'y. w/Bearing        |
| 25       | 750-0827  |      | Axle Spacer                             |          |          |      |   |
| 26       | 736-0445  |      | Fl-Wash. .760" I.D. x 1.5" O.D.         | 58       | 736-0349 |      | Fl-Wash. 5/8" I.D. x 1" O.D. x .020 Thk.      |
| 27       | 711-0918  |      | Cross Shaft                             |          | 736-0495 |      | Thrust Wash. 5/8" I.D. x 1" O.D. x .025" Thk. |
| 28       | 717-1252  |      | Differential Can Ass'y.                 |          |          |      |   |
| 29       | —         |      | Part of Ref. 28                         | 60       | **       |      | Washer (See Below)                            |
| 32       | **        |      | Washer (See Below)                      | —        | 737-0148 |      | Grease—Shell (15 oz.)                         |
| 33       | 736-0445  |      | Fl-Wash. .760" I.D. x 1.5" O.D.         |          |          |      |   |

\*\*Ref. No. 32 736-0495 Thrust Wash. 5/8" I.D. x 1" O.D. x .025" Thk.  
736-0336 Fl-Wash. 5/8" I.D. x 1" O.D. x .030" Thk.  
736-0494 Thrust Wash. 5/8" I.D. x 1" O.D. x .035" Thk.  
736-0337 Fl-Wash. 5/8" I.D. x 1" O.D. x .040" Thk.

\*\*Ref. No. 60 736-0492 Fl-Wash. .76" I.D. x 1.5" O.D. x .010" Thk.  
736-0493 Fl-Wash. .76" I.D. x 1.5" O.D. x .020" Thk.  
736-0351 Fl-Wash. .76" I.D. x 1.5" O.D. x .030" Thk.  
736-0445 Fl-Wash. .76" I.D. x 1.5" O.D. x .060" Thk.

# Models 620 thru 669

**IMPORTANT:** A model label appears on the transaxle housing. If 618-0073 appears on your transaxle, use this illustrated parts list. For model 618-0002 refer to pages 8 and 9.



**SINGLE SPEED TRANSAXLE—R.H.  
MODEL 618-0073**

# Models 620 thru 669

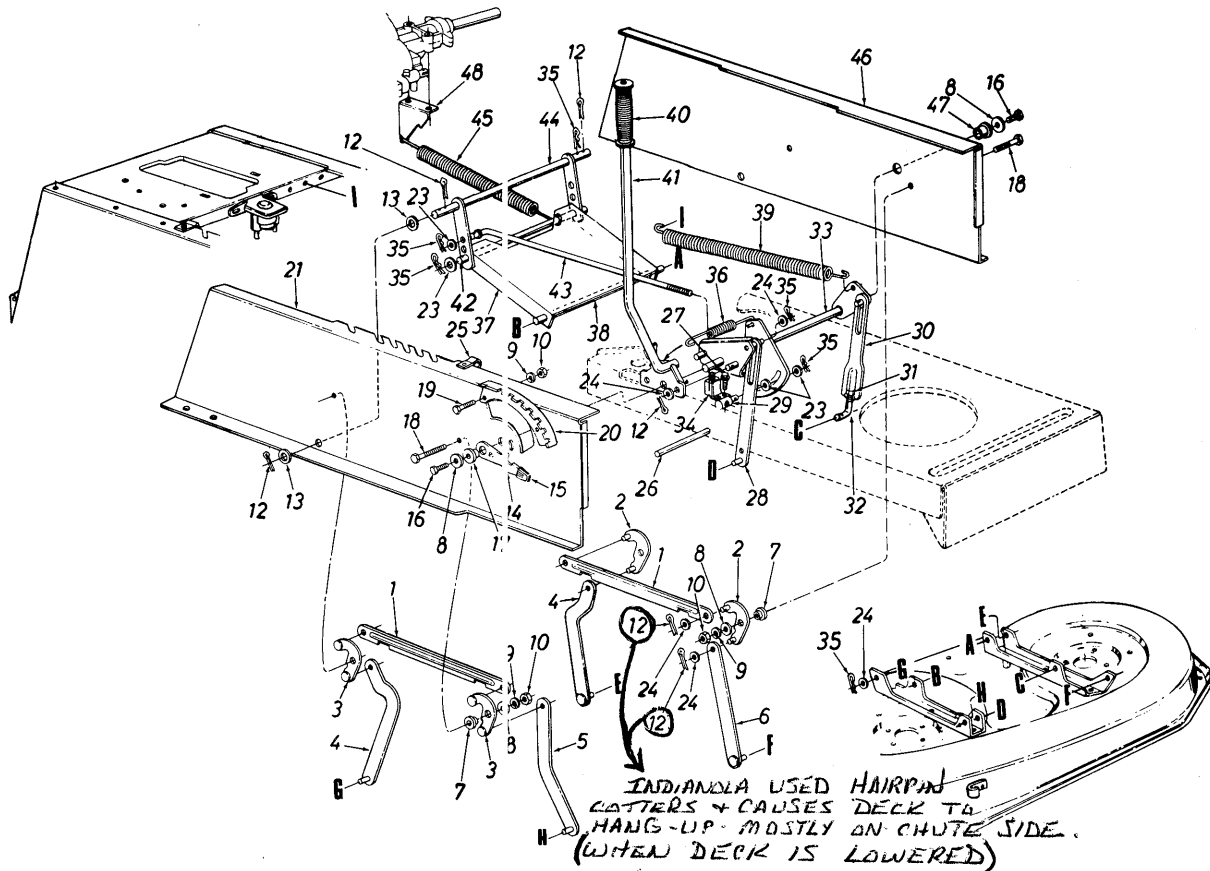
## PARTS LIST FOR SINGLE SPEED TRANSAXLE RIGHT HAND 618-0073

| REF. NO. | PART NO.  | CODE | DESCRIPTION                               | REF. NO. | PART NO. | CODE | DESCRIPTION                                   |
|----------|-----------|------|---|----------|----------|------|---|
| 1        | 732-0614  |      | Wire Ring                                 | 33       | 736-0445 |      | FI-Wash. .760" I.D. x 1.5" O.D.               |
| 2        | 716-0171  |      | Retaining—Ring                            | 34       | 719-0313 | N    | Lower Housing                                 |
| 3        | 710-1026  |      | Hex Wash. TT-Tap Scr. 1/4-20 x 1.75" Lg.* | 35       | 718-0150 |      | Anti-Rotation Brkt.                           |
| 4        | 710-0809  |      | Hex Tap Scr. 1/4-20 x 1.25" Lg.           | 38       | 712-0273 |      | Hex Nut 5/16-24 Thd.                          |
| 5        | 719-0314  | N    | Upper Housing                             | 39       | 736-0371 |      | FI-Wash. .344" I.D. x .875" O.D.              |
| 8        | 711-0861  |      | Input Shaft                               | 40       | 717-0700 |      | Actuating Arm                                 |
| 10       | 736-0335  |      | Thrust Washer 5/8" I.D. x 1.25" O.D.      | 41       | 761-0198 |      | Brake Yoke                                    |
| 11       | 717-0633  |      | Pinion Input 14T                          | 42       | 717-0682 |      | Puck Plate                                    |
| 12       | 716-0171  |      | Retaining Ring                            | 43       | 717-0678 |      | Brake Puck                                    |
| 13       | 711-0943  | N    | Drive Shaft—R.H. Brake                    | 44       | 717-0538 |      | Axle L.H. Ass'y.                              |
| 14       | 741-0336  |      | Flange Brg. 5/8" I.D. x 3/4" Lg.*         | 45       | 761-0202 | N    | Brake Disc                                    |
| 15       | 717-1362  | N    | Bevel Gear 42T Small I.D.                 | 46       | 741-0337 |      | Flange Bearing 5/8" I.D. x 15/16" Lg.         |
| 16       | 717-1363  | N    | Bevel Gear 42T Large I.D.                 | 48       | 611-0011 |      | Shift Fork Ass'y.                             |
| 17       | 718-0228  | N    | Clutch Collar                             | 49       | 741-0862 |      | Ball Detent .250" Dia.                        |
| 18       | 717-1020  |      | Miter Gear 15T (H.D.)                     | 50       | 732-0863 |      | Spring Detent                                 |
| 19       | 716-0184  |      | Snap Ring                                 | 51       | 714-0169 |      | #9 Hi-Pro Key 3/16" x 3/4" Dia. HT            |
| 20       | 741-0589  |      | Thrust Bearing                            | 52       | 741-0335 |      | Needle Brg. 5/8" I.D. x 1/2" Lg.              |
| 21       | 710-0862A |      | Pan Head Scr. 1/4-20 x .50" Lg. w/Patch   | 54       | 736-0349 |      | FI-Wash. 5/8" I.D. x 1" O.D. x .020 Thk.      |
| 22       | 717-0539  |      | Axle R.H. Ass'y.                          | 55       | 741-0343 |      | Actuating Pin 5/16" Dia.                      |
| 23       | 741-0340  |      | Sleeve Bearing 3/4" I.D. x 1.0" Lg.       | 56       | 710-1206 |      | Hex Wash Hd. Self-Tap Scr. 1/4-20 Thd.        |
| 24       | 721-0179  |      | Oil Seal 3/4" I.D.                        | 57       | 717-1364 | N    | Differential Gear 58T                         |
| 25       | 750-0767  | N    | Axle Spacer                               | 58       | 736-0349 |      | FI-Wash. 5/8" I.D. x 1" O.D. x .020 Thk.      |
| 26       | 736-0445  |      | FI-Wash. .760" I.D. x 1.5" O.D.           |          | 736-0495 |      | Thrust Wash. 5/8" I.D. x 1" O.D. x .025" Thk. |
| 27       | 711-0918  |      | Cross Shaft                               | 60       | **       |      | Washer (See Below)                            |
| 28       | 717-1252  |      | Differential Can Ass'y.                   |          | 737-0148 |      | Grease—Shell (15 oz.)                         |
| 29       | —         |      | Part of Ref. 28                           |          |          |      |   |
| 32       | **        |      | Washer (See Below)                        |          |          |      |   |

\*\*Ref. No. 32 736-0495 Thrust Wash. 5/8" I.D. x 1" O.D. x .025" Thk.  
736-0336 FI-Wash. 5/8" I.D. x 1" O.D. x .030" Thk.  
736-0494 Thrust Wash. 5/8" I.D. x 1" O.D. x .035" Thk.  
736-0337 FI-Wash. 5/8" I.D. x 1" O.D. x .040" Thk.

\*\*Ref. No. 60 736-0492 FI-Wash. .76" I.D. x 1.5" O.D. x .010" Thk.  
736-0493 FI-Wash. .76" I.D. x 1.5" O.D. x .020" Thk.  
736-0351 FI-Wash. .76" I.D. x 1.5" O.D. x .030" Thk.  
736-0445 FI-Wash. .76" I.D. x 1.5" O.D. x .060" Thk.

# Models 620 thru 669



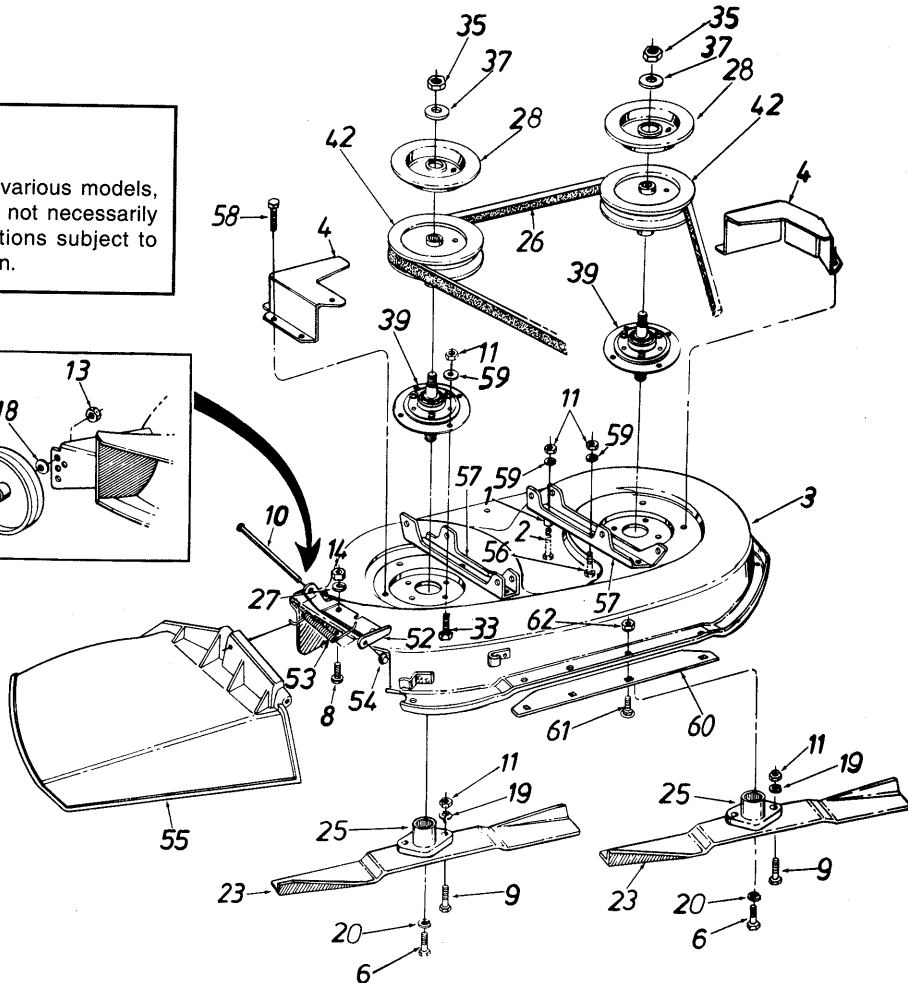
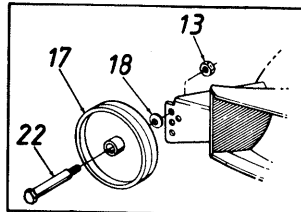
## PARTS LIST FOR FRONT ENGINE LAWN TRACTORS

| REF. NO. | PART NO.  | CODE | DESCRIPTION                              | REF. NO. | PART NO.  | CODE | DESCRIPTION                  |
|----------|-----------|------|--|----------|-----------|------|------------------------------|
| 1        | 09735A    |      | Connecting Rod                           | 25       | 726-0272  |      | Clamp                        |
| 2        | 17640     |      | Pivot Link Ass'y.—L.H.                   | 26       | 738-0526  |      | Running Board Rod            |
| 3        | 17641     |      | Pivot Link Ass'y.—R.H.                   | 27       | 710-3007  |      | Hex Wash. Hd. Tap Scr.       |
| 4        | 17710     |      | Deck Hanger Link Ass'y.                  | 28       | 14802A    |      | Link Deck Lift Ass'y.        |
| 5        | 14800A    |      | Deck Hanger Link Ass'y.                  | 29       | 711-0723A |      | Adj. Ferrule 3/8-24 Thd.     |
| 6        | 14804A    |      | Deck Hanger Link Ass'y.                  | 30       | 17712     |      | Adj. Deck Lift Link          |
| 7        | 748-0331  |      | Shld. Spacer .318" I.D.                  | 31       | 712-3066  |      | Hex Nut 1/2-20 Thd. (Gr. 5)  |
| 8        | 736-0264  |      | FI-Wash. .344" I.D. x .62" O.D.          | 32       | 711-0841  |      | Lift Link Adjuster           |
| 9        | 736-0119  |      | L-Wash. 5/16" I.D.*                      | 33       | 17637A    | N    | Lift Shaft Ass'y.            |
| 10       | 712-0267  |      | Hex Nut 5/16-18 Thd.*                    | 34       | 725-0803C |      | Safety Switch (Deck)         |
| 12       | 714-0470  |      | Cotter Pin 1/8" Dia.                     | 35       | 714-0145  |      | Inter. Cotter Pin 3/8" Dia.  |
| 13       | 736-0256  |      | FI-Wash. .635" I.D. x 1.0" O.D.          | 36       | 732-0637  |      | Extension Spring             |
| 14       | 732-0412A |      | Deck Lift—Down Stop (Incl. Ref. 15)†     | 37       | 17636A    |      | Stabilizer Bracket           |
| 15       | 08540     |      | Knob†                                    | 38       | 738-0670  |      | Shaft 1/2" Dia. x 10.28" Lg. |
| 16       | 710-0604  |      | Hex Wash. TT-Tap Scr. 5/16-18 x .75" Lg. | 39       | 732-0638  |      | Extension Spring             |
| 17       | 748-0176  |      | Flange Brg. .63" I.D.†                   | 40       | 720-0233  |      | Grip (Lift Handle)           |
| 18       | 710-1238  | N    | Hex Wash. Hd. Scr. 5/16-18 x .875" Lg.   | 41       | 17675     |      | Deck Lift Handle Ass'y.      |
| 19       | 710-0118  |      | Hex Bolt 5/16-18 x .75" Lg.              | 42       | 738-0669  |      | Shaft 3/8" Dia. x 9.34" Lg.  |
| 20       | 17730     |      | Index Brkt.                              | 43       | 747-0598  |      | Disengagement Rod            |
| 21       | 17622B    | N    | Upper Frame—R.H.                         | 44       | 17624     |      | Stabilizer Shaft Ass'y.      |
| 23       | 736-0267  |      | FI-Wash. .385" I.D. x .87" O.D.          | 45       | 732-0556  |      | Extension Spring 7.58" Lg.   |
| 24       | 736-0160  |      | FI-Wash. .531" I.D. x .93" O.D.          | 46       | 17623     |      | Upper Frame—L.H.             |
|          |           |      |  | 47       | 741-0313  |      | Flange Brg. .632" I.D.       |
|          |           |      |  | 48       | 17128     |      | Spring Retainer Brkt.        |

†Optional

# Deck "F"

**NOTE**  
 This instruction manual covers various models, and all specifications shown do not necessarily apply to your model. Specifications subject to change without notice or obligation.



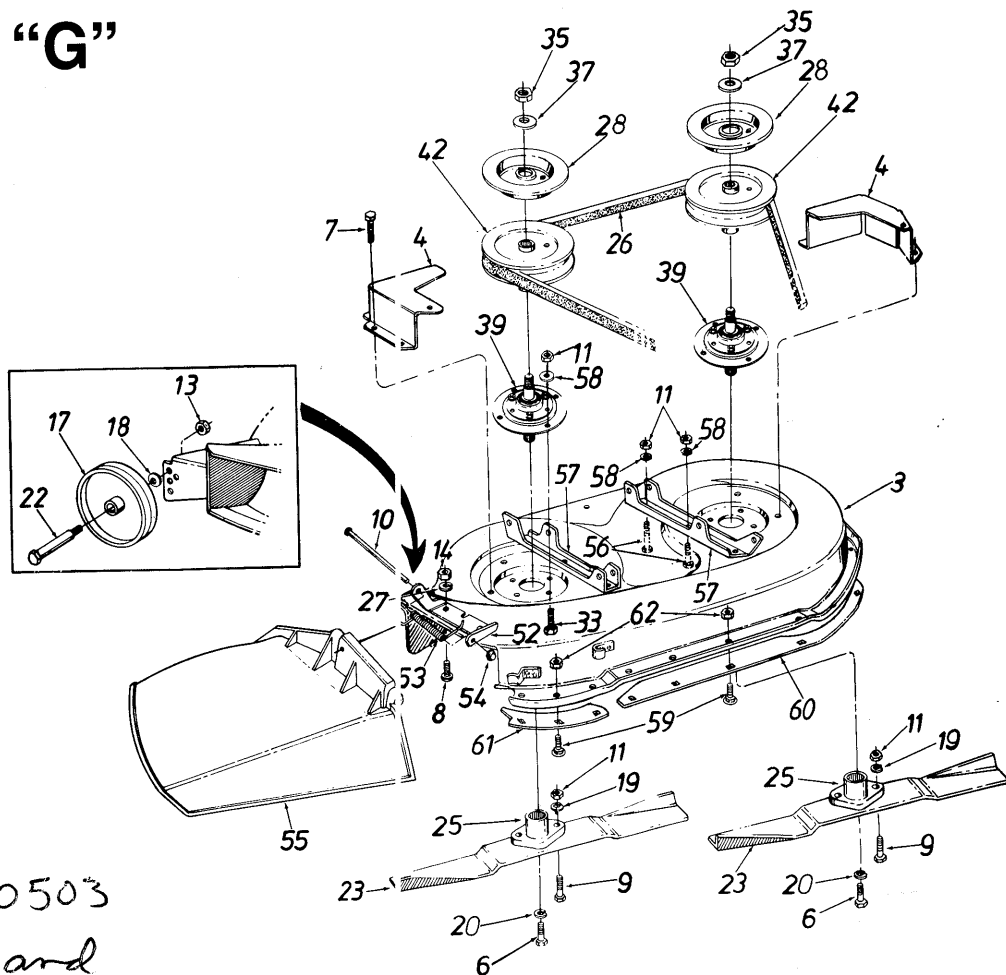
## PARTS LIST FOR 38" MOWING DECK

| REF. NO. | PART NO.  | CODE | DESCRIPTION   | REF. NO. | PART NO.  | CODE | DESCRIPTION   |
|----------|-----------|------|---|----------|-----------|------|---|
| 1        | 750-0776  |      | Spacer .33" I.D. x .88"                                   | 23       | 742-0473A |      | High-Lift Blade                                       |
| 2        | 710-0672  |      | Hex Bolt 5/16-24 x 1.25" Lg.                              | 25       | 748-0300  |      | Blade Adapter   |
| 3        | 17503B    | N    | 38" Deck Ass'y. w/Deck Wheels                             | 26       | 754-0329A |      | V-Belt <b>754-0433</b>                                |
|          | 801-7503  |      | 38" Deck Ass'y. Comp. w/Deck<br>Wheels (For Service Only) | 27       | 736-0270  |      | Bell-Wash. 1/4" I.D.                                  |
|          | 17717B    | N    | 38" Deck Ass'y. w/o Deck<br>Wheels                        | 28       | 09322     |      | Brake Disc  |
|          | 813-06102 |      | 38" Deck Ass'y. w/o Deck<br>Wheels (For Service Only)     | 33       | 710-0157  |      | Hex Bolt 5/16-24 x .75" Lg.                           |
| 4        | 17665     |      | Belt Guard Deck   | 35       | 712-0318  |      | Hex Jam Nut 5/8-18 Thd.                               |
| 6        | 710-0152  |      | Hex Bolt 3/8-24 x 1.0" Lg.                                | 37       | 736-0158  |      | L-Wash. 5/8" I.D.*                                    |
| 8        | 710-0258  |      | Hex Bolt 1/4-20 x .62"                                    | 39       | 717-0906  |      | Blade Spindle Ass'y. Comp.                            |
| 9        | 710-0888  |      | Hex Bolt Special 5/16-24 x 1.0"                           | 42       | 756-0486  |      | 5" Dia. Pulley  |
| 10       | 711-0792  |      | Hinge Pin   | 52       | 703-1693  |      | Hinge Mtg. Brkt.                                      |
| 11       | 712-0123  |      | Hex Nut 5/16-24 Thd.*                                     | 53       | 732-0602  |      | Torsion Spring  |
| 13       | 712-0181  |      | Hex Top L-Nut 3/8-16 Thd.†                                | 54       | 726-0106  |      | Push Nut  |
| 14       | 712-0287  |      | Hex Nut 1/4-20 Thd.*                                      | 55       | 731-1032  |      | Chute Ass'y. Comp. (Incl. Ref.<br>10, 52, 53, 54, 55) |
| 17       | 734-0973  |      | Deck Wheel—5"†  | 56       | 710-0157  |      | Hex Bolt 5/16-24 x .75" Lg.                           |
| 18       | 736-0105  |      | Bell-Wash. .40" I.D. x .88"<br>O.D.†                      | 57       | 17493A    |      | Deck Hanger Channel                                   |
| 19       | 736-0119  |      | L-Wash. 5/16" I.D.*                                       | 58       | 710-0599  |      | Hex Wash. Hd. TT-Tap Scr.<br>1/4-20 x .5" Lg.         |
| 20       | 736-0217  |      | L-Wash. 3/8" I.D.—H.D.                                    | 59       | 736-0242  |      | Bell-Wash. .345" I.D. x .88"                          |
| 22       | 738-0373  |      | Shld. Bolt .498" Dia. x 1.53"†                            | 60       | 17863     |      | Skirt Ext.  |
|          |           |      |   | 61       | 710-0167  |      | Carr. Bolt 1/4-20 x .5" Lg.                           |
|          |           |      |   | 62       | 712-0271  |      | Hex Sems Nut 1/4-20 Thd.                              |

\*For faster service obtain standard nuts, bolts and washers locally.  
 If these items cannot be obtained locally, order by part number and size as shown on parts list.

†Optional Deck Assembly with Wheels.

# Deck "G"



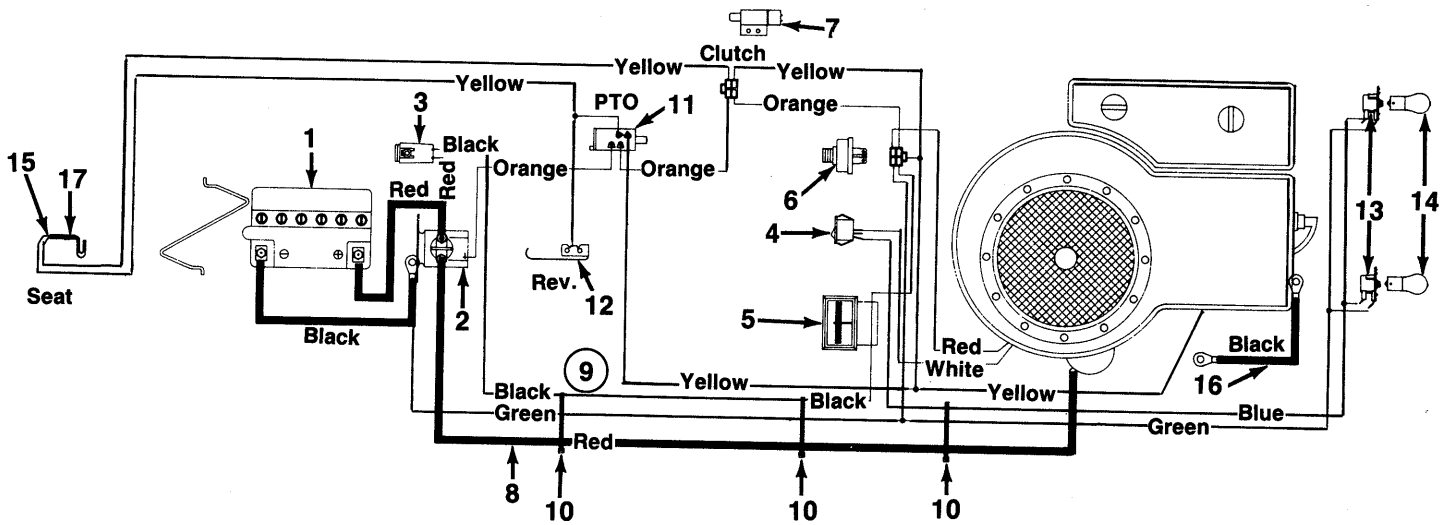
742-0503  
Sand

## PARTS LIST FOR 42" MOWING DECK

| REF. NO. | PART NO.            | CODE | DESCRIPTION   | REF. NO. | PART NO.  | CODE | DESCRIPTION   |
|----------|---------------------|------|---|----------|-----------|------|---|
| 3        | 17600A<br>813-06119 | N    | 42" Deck Ass'y.<br>42" Deck Ass'y. Comp<br>(For Service Only) | 26       | 754-0371A |      | V-Belt  |
| 4        | 17664               |      | Belt Guard Deck   | 27       | 736-0270  |      | Bell-Wash. 1/4" I.D.                                  |
| 6        | 710-0152            |      | Hex Bolt 3/8-24 x 1.0" .g.                                    | 28       | 09322     |      | Brake Disc  |
| 7        | 710-0599            |      | Hex Wash. Hd. TT-Tap Scr.<br>1/4-20 x .5" Lg.                 | 33       | 710-0157  |      | Hex Bolt 5/16-24 x .75" Lg.                           |
| 8        | 710-0258            |      | Hex Bolt 1/4-20 x .62"  | 35       | 712-0318  |      | Hex Jam Nut 5/8-18 Thd.                               |
| 9        | 710-0888            |      | Hex Bolt Special 5/16-24 x 1.0"                               | 37       | 736-0158  |      | L-Wash. 5/8" I.D.*                                    |
| 10       | 711-0792            |      | Hinge Pin   | 39       | 717-0906  |      | Blade Spindle Ass'y. Comp.                            |
| 11       | 712-0123            |      | Hex Nut 5/16-24 Thd.*   | 42       | 756-0556  |      | 5.5" Dia. Pulley                                      |
| 13       | 712-0181            |      | Hex Top L-Nut 3/8-16 Thd.                                     | 52       | 703-1693  |      | Hinge Mtg. Brkt.                                      |
| 14       | 712-0287            |      | Hex Nut 1/4-20 Thd.*  | 53       | 732-0602  |      | Torsion Spring  |
| 17       | 734-0973            |      | Deck Wheel—5"   | 54       | 726-0106  |      | Push Nut  |
| 18       | 736-0105            |      | Bell-Wash. .40" I.D. x .88"<br>O.D.                           | 55       | 731-1032  |      | Chute Ass'y. Comp. (Incl. Ref.<br>10, 52, 53, 54, 55) |
| 19       | 736-0119            |      | L-Wash. 5/16" I.D.*   | 56       | 710-0157  |      | Hex Bolt 5/16-24 x .75" Lg.                           |
| 20       | 736-0217            |      | L-Wash. 3/8" I.D.—H.I.D.)                                     | 57       | 17493A    |      | Deck Hanger Channel                                   |
| 22       | 738-0373            |      | Shld. Bolt .498" Dia. x 1.53"                                 | 58       | 736-0242  |      | Bell-Wash. .345" I.D. x .88"                          |
| 23       | 742-0499A           | N    | High-Lift Blade   | 59       | 710-0167  |      | Carr. Bolt 1/4-20 x .5" Lg.                           |
| 25       | 748-0300            |      | Blade Adapter   | 60       | 17861A    | N    | Deck Skirt Ext.—Long                                  |
|          |                     |      |   | 61       | 17961     |      | Deck Skirt Ext.—Short                                 |
|          |                     |      |   | 62       | 712-0271  |      | Hex Sems Nut 1/4-20 Thd.                              |

\*For faster service obtain standard nuts, bolts and washers locally.  
If these items cannot be obtained locally, order by part number  
and size as shown on parts list.

# Models 620 thru 669



## PARTS LIST FOR MODEL 600 SERIES LAWN TRACTORS

| REF. NO. | PART NO.  | CODE | DESCRIPTION                              |
|----------|-----------|------|--|
| 1        | 725-0514A |      | Battery                                  |
| 2        | 725-1426  |      | Solenoid                                 |
| 3        | 725-1625  |      | Fuse 7.5 Amps                            |
| 4        | 725-0634  |      | Light Switch (Optional)                  |
| 5        | 725-0925  |      | Ammeter (Optional)                       |
| 6        | 725-0267  |      | Ignition Switch                          |
| 7        | 725-3169A |      | Safety Switch (Clutch)                   |
| 8        | 725-1081  |      | Electric Wire 30" Lg. (B&S)              |
|          | 725-1082  |      | Electric Wire 36" Lg. (Tec.)             |
| 9        | 629-0066  | N    | Wire Harness w/o Ammeter (B&S)           |
|          | 629-0073  | N    | Wire Harness w/o Ammeter (Tec.)          |
|          | 629-0076  | N    | Wire Harness w/Ammeter (B&S)             |
|          | 629-0078  | N    | Wire Harness w/Ammeter (Tec.)            |
| 10       | 726-0197  |      | Cable Tie                                |
| 11       | 725-0803C |      | Safety Switch (Deck)                     |
| 12       | 725-0759  |      | Safety Switch (Reverse)                  |
| 13       | 725-1649  | N    | Socket (Used on Styles 0, 1, 6, 7)       |
|          | 725-1650  | N    | Socket (Used on Styles 2, 3, 4, 5, 8, 9) |
| 14       | 725-0963  |      | Bulb (Headlight)                         |
| 15       | 725-1303  |      | Safety Switch (Seat)                     |
| 16       | 725-0980  |      | Ground Wire 7.5" Lg.                     |
| 17       | 725-1439  |      | Safety Switch (Seat)                     |

**FOR REPLACEMENT PARTS, CONTACT:  
SERVICE DEPARTMENT • P.O. BOX 360900 • CLEVELAND, OHIO 44136**



## Free Manuals Download Website

<http://myh66.com>

<http://usermanuals.us>

<http://www.somanuals.com>

<http://www.4manuals.cc>

<http://www.manual-lib.com>

<http://www.404manual.com>

<http://www.luxmanual.com>

<http://aubethermostatmanual.com>

Golf course search by state

<http://golfingnear.com>

Email search by domain

<http://emailbydomain.com>

Auto manuals search

<http://auto.somanuals.com>

TV manuals search

<http://tv.somanuals.com>