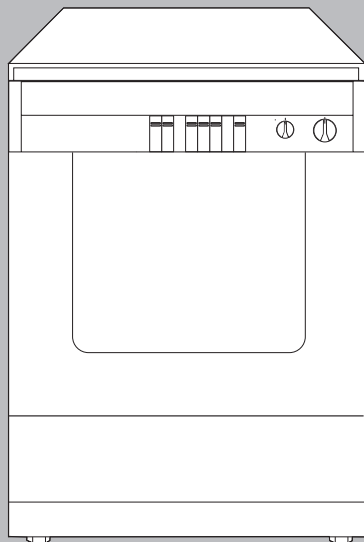


*Axxis*  
**WTA 3510**  
Electric Vented Dryer

*Axxis*  
**WTL 5410**  
Electric Condensation Dryer



Use and Care Manual  
Installation Instructions

# BOSCH





# Quick Reference Index

## Use and Care Manual

IMPORTANT SAFETY INSTRUCTIONS .....	4
GROUNDING INSTRUCTIONS .....	5
ABOUT YOUR DRYER .....	6
GETTING TO KNOW YOUR DRYER .....	6
ENERGY SAVING TIPS .....	7
OPERATING TIPS .....	7
BEFORE USING FOR THE FIRST TIME .....	7
GETTING STARTED .....	7
CYCLE SELECTION CHART (Recommendations) .....	8
ELECTRONIC AUTO DRY CYCLES .....	8
OPERATION .....	8
CARE and CLEANING .....	11
Lint Filter .....	11
Heat Exchanger (WTL models only) .....	11
Moisture Sensor .....	12
Frost Protection (WTL models only) .....	12
SERVICE and REPAIR .....	12
SELF-HELP .....	13
STATEMENT OF WARRANTIES BOSCH CLOTHES DRYERS .....	14
Exclusions .....	14

## Installation Instructions

Introduction .....	15
Tools Needed for Installation .....	15
Parts Supplied for Installation .....	15
Parts Needed for Installation .....	15
Dryer Electrical Cord .....	15
Grounding Instructions .....	15
Additional Grounding Procedure .....	16
Electrical Receptacle .....	16
Venting .....	16
Ductwork .....	16
Exhaust Vent Hood .....	16
Condensate Drain .....	16
Stacking Kit .....	16
Stacking Kit with Pull-out-tray .....	16
Technical Data .....	17
Electrical Requirements .....	17
Choosing the Location .....	17
Minimum Installation Clearances .....	17
INSTALLATION .....	19
Step 1 Unpack the Dryer .....	19
Step 2 Inspect the Dryer .....	19
Step 3 Position Dryer near Installation Area ..	19
Step 4 Exhaust Duct .....	19
Step 5 Condensate Hose Connection .....	20
Step 6 Electrical .....	21
Step 7 Position and Level the Dryer .....	22
Step 8 Connect Duct System to Dryer .....	23
Step 9 Final Check List .....	23

**IMPORTANT:** Before you begin read these instructions completely and carefully.

**INSTALLER:** Remove the door from all discarded appliances to avoid the danger of a child suffocating.

**KEEP THESE INSTRUCTIONS FOR FUTURE REFERENCE.**

(In case of change of ownership, manual should be conveyed with the dryer.)

# Use and Care Manual

## IMPORTANT SAFETY INSTRUCTIONS

**WARNING:** To reduce the risk of fire, electric shock, serious injury or death to persons when using your dryer, follow basic precautions, including the following.

1. Bosch dryers are provided with an Use and Care Manual and an Installation Instruction manual. Read all instructions before using the dryer.
2. Do not dry articles that have been previously cleaned in, washed in, soaked in, or spotted with gasoline, dry cleaning solvents, other flammable, or explosive substances as they give off vapors that could ignite or explode.
3. Do not allow children to play on or in the appliance. Close supervision of children is necessary when the appliance is used near children.
4. Before the appliance is removed from service or discarded, remove the door to the drying compartment.
5. Do not reach into the appliance if the drum is moving.
6. Do not install or store this appliance where it will be exposed to the weather.
7. Do not tamper with the controls.
8. Do not repair or replace any part of the appliance or attempt any service unless specifically recommended in the user-maintenance instructions or in published user repair instructions that you understand and have the skills to carry out.
9. Do not use fabric softeners or products to eliminate static unless recommended by the manufacturer of the fabric softener or product.
10. Do not use heat to dry articles containing foam rubber (may be labeled latex foam) or similarly textured rubber-like materials. Foam rubber materials can, under certain circumstances, when heated become ignited by spontaneous combustion.
11. Clean lint screen before or after each load.
12. Keep area around the exhaust opening and adjacent surrounding areas free from the accumulation of lint, dust and dirt.
13. The interior of the machine and exhaust duct should be cleaned periodically by qualified service personnel.
14. Always be sure to unplug the dryer from the electrical supply before attempting any service. Disconnect the power cord by grasping the plug, not the cord.
15. Store all laundry chemicals and aids in a cool dry place according to the manufacturer's instructions in an area where children cannot reach them.
16. To reduce the risk of fire, clothes, cleaning rags, mop heads and the like which have traces of any flammable substance, such as vegetable oil, cooking oil, petroleum based oils or distillates, waxes, fats, etc., must not be placed in the dryer. These items may contain some flammable substance(s) even after washing, which may smoke or catch fire by itself.
17. Do not sit on top of the dryer.
18. To reduce the risk of fire or electrical shock, **DO NOT** use an extension cord or an adapter to connect the dryer to the electrical power supply.
19. The dryer must only be used for its intended purpose.
20. Always check and empty pockets of any objects that may have been forgotten. Cigarette lighters, in particular, present a hazard that can be avoided by this process.

## IMPORTANT SAFETY INSTRUCTIONS (continued)

21. Replace worn power cords and/or loose plugs.
22. Do not operate the dryer with any guards and/or panels removed.
23. Do not operate the dryer with missing or broken parts.
24. Do not bypass any safety devices.
25. Do not use plastic or non-metal flexible duct with this dryer. Plastic or non-metal flexible duct presents a potential fire hazard.
26. Do not operate this dryer until you are sure the dryer has been installed according to the INSTALLATION INSTRUCTIONS and installation and grounding are in compliance with all local codes and/or other applicable codes and requirements.
27. Failure to install, maintain and/or operate the dryer according to the manufacturer's instructions may result in conditions which can lead to bodily injury and/or property damage.

**Notes:**

- A The IMPORTANT SAFEGUARDS and WARNINGS presented in this manual do not cover all possible conditions that may occur. Common sense, caution and care must be exercised when installing, maintaining or operating the dryer.
- B Always contact your dealer, distributor, service agent or the manufacturer about any problems or conditions that you do not understand.

## SAVE THESE INSTRUCTIONS

### GROUNDING INSTRUCTIONS

This appliance must be grounded. In the event of malfunction or breakdown, grounding will reduce the risk of electric shock by providing a path of least resistance for the electric current. This appliance is equipped with a cord having an equipment-grounding conductor and a grounding plug. The plug must be plugged into an appropriate outlet that is properly installed and grounded in accordance with all local codes and ordinances.

**WARNING** – Improper connection of the equipment-grounding conductor can result in a risk of electric shock. Check with a qualified electrician or serviceman if you are in doubt as to whether the dryer is properly grounded.

**DO NOT** modify the plug provided with the appliance – if it will not fit the outlet have a proper outlet installed by a qualified electrician or exchange the cord with an appropriate one rated for the dryer.

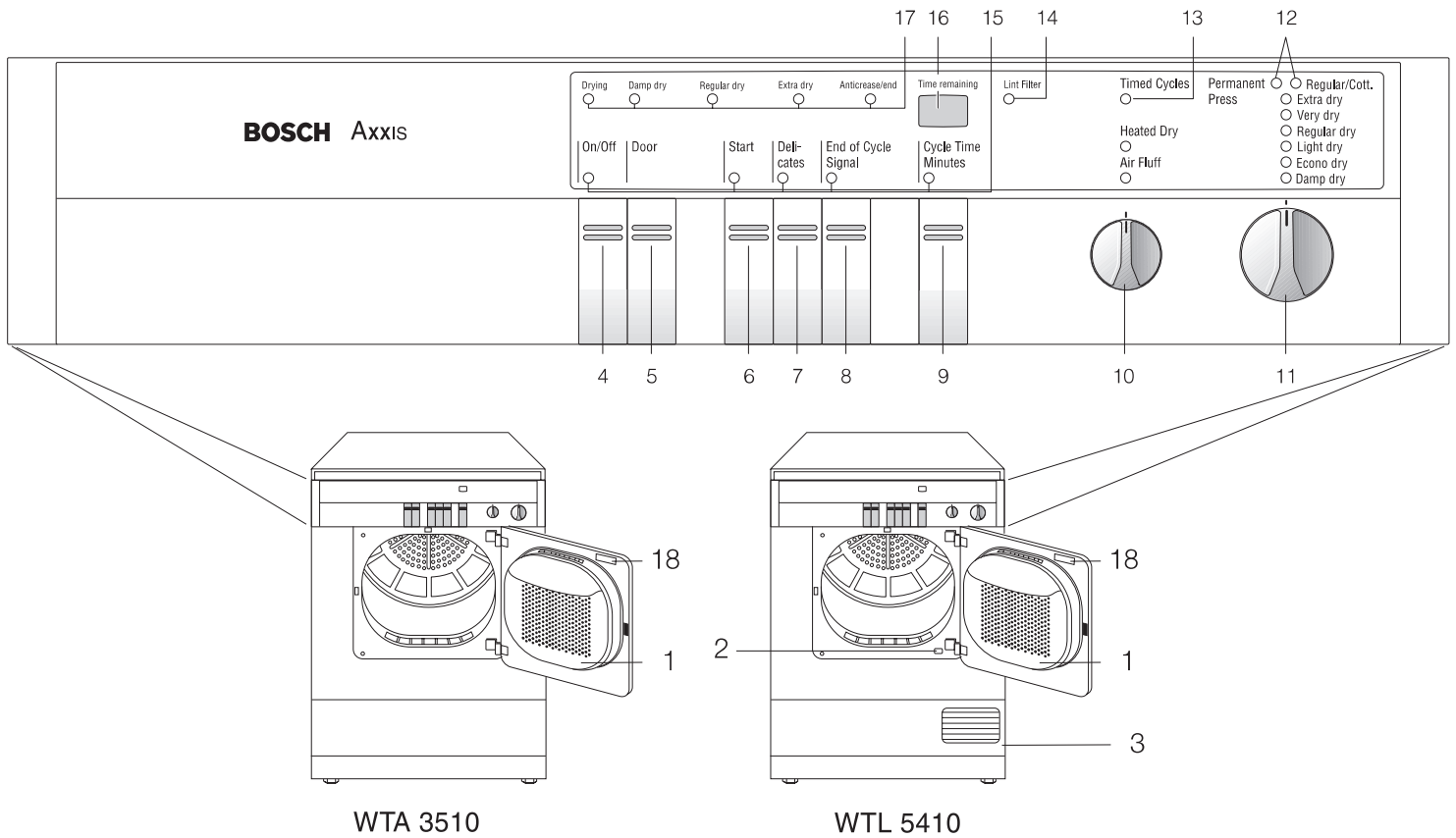


Figure 1.

## ABOUT YOUR DRYER

Congratulations on having selected a Bosch clothes dryer, the choice of those that demand exceptional performance from their clothes dryer. The Bosch WTA 3510 and WTL 5410 dryers offer the following standard features:

- High Efficiency Precision Drying System with Duotronic
- Stainless Steel Drum
- Exceptionally Quiet Operation
- Condensation Drying allows vent free operation
- Reverse Tumble Action
- Sensor controlled Auto Cycles with up to 6 drying levels per fabric type and Timed Cycles from 10 to 90 minutes.

**i** Exchangeable Control Panel inserts in French and Spanish.

If you desire to change the language of the control panel to either French or Spanish please contact customer service at 1-800-944-2904.

Please specify dryer model number and language of fascia insert desired.

## GETTING TO KNOW YOUR DRYER

Above you will find an illustration, Figure 1, showing the location of the following:

- 1 Door with lint filter
- 2 Button to open the maintenance flap (WTL models only)
- 3 Heat Exchanger/Inlet panel (WTL models only)
- 4 "On/Off" button
- 5 "Door" button
- 6 "Start" button
- 7 "Delicates" button
- 8 "End of Cycle Signal" button
- 9 "Cycle Time Minutes" button
- 10 Time Cycles Selector Knob
- 11 Auto-Cycles Selector knob
- 12 Indicator lights for program selected
- 13 Indicator lights for time program selected
- 14 Lint Filter Cleaning indicator
- 15 Indicator lights for buttons
- 16 "Time Remaining" Display
- 17 Moisture Level indicator lights
- 18 Rating Plate location.

## ENERGY SAVING TIPS

To save energy, time and money, Bosch recommends the following:

- Always spin dry the laundry in the washer at the highest recommended speed for the fabric type. The highest spin speed will result in a dryer load and shorten the drying time and amount of energy required to dry the load.
- Spin dry delicate washing before tumble drying.
- Load the dryer properly. Do not exceed the maximum load (see CYCLE SELECTION CHART).
- Always clean the lint filter after each use of the dryer.

## BEFORE USING FOR THE FIRST TIME

Before beginning to use your dryer for the first time:

1. Check to make sure that the voltage on which the dryer is to operate is the same as shown on the rating plate.

2. Wipe the interior of the drum with a damp cloth.
3. Thoroughly inspect the dryer for cosmetic damage.

## GETTING STARTED

Below, in order to get started, you will find a summary of how to operate the clothes dryer. Also, refer to the CYCLE SELECTION CHART, Table 1.

- **Turn On the Dryer**  
Press the "On/Off" button. The indicator light will become illuminated and the indicator above the "Start" button will begin to flash.
- **Check the Lint Filter**  
The lint filter, located in the door, should be cleaned after or before each load.
- **Load the Dryer**  
Load the items in the dryer.
- **Add Fabric Softener Sheet**  
If a fabric softener sheet is to be added it should be done after loading the dryer.
- **Close the Dryer Door**
- **Select Cycle Desired**  
See CYCLE SELECTION CHART, Table 1, and following section titled OPERATION for program recommendations.

## OPERATING TIPS

- Follow the fabric care labels on the clothing.
- Avoid very small loads. When only one or two items need drying, add a few similar items to improve drying efficiency.
- Do not mix heavyweight and lightweight clothing.
- Do not dry wool or fabrics with a wool content
- Do not dry fabrics that do not allow the free passage of air (for example, GORETEX)
- Do not dry delicate fabrics such as, silk, synthetic net curtains, etc.

- **Select Additional Functions** (if desired)  
See following section titled OPERATION.
- **Press the "Start" Button**  
The "Start" indicator lamp will stop flashing and the dryer will start. If one of the Auto-Cycles have been selected the Duotronic system will monitor the moisture level and display the progress of the drying in the "Moisture Level Indicator Lights." If a timed cycle has been selected the minutes remaining will be displayed in the "Cycle Countdown Display."  
The cycle will continue to the end, when the "End" indicator lamp will become illuminated. And, if the "End of Cycle Signal" has been selected a signal will sound. – See following section OPERATION on how to set or turn of the "End of Cycle" signal.
- **Depress the "Door" Button**  
The door will open.
- **Remove the Laundry from the Dryer**
- **Clean the Lint Filter**
- **Turn Off the Dryer**  
Depress the "On/Off" button.

# CYCLE SELECTION CHART (Recommendations)

<b>ELECTRONIC AUTO DRY CYCLES</b>		<b>Drying Level Setting</b>
<b>Cotton or linen items</b> (whites and coloreds), <b>full load *</b> <b>Note:</b> For heat-sensitive items press the "Delicates" button.		<b>Regular/Cott.</b>
Bed and table linen, towels	for laundry which will be ironed with rotary iron or finished by air drying	Damp dry
Bed and table linen, towels, T-shirts, work clothes	for laundry which will be ironed with a steam iron	Econo dry
T-shirts, trousers, work clothes, underwear	for laundry which will be ironed lightly, or not at all	Light dry
Bath towels, tea towels, hand towels, bed linen, underwear, cotton socks	for laundry which will not be ironed	Regular dry
Bath towels, tea towels, hand towels, bed linen, underwear, cotton socks	for thick, multi-layered materials which will not be ironed	Very dry
Flannel dressing gowns and bed linen	particularly thick or multi-layered materials	Extra dry
<b>Permanent Press items</b> (non-iron items) made of synthetic and mixed fibers and non-iron cottons, <b>1/2 load *</b> <b>Note:</b> For heat-sensitive fabrics press the "Delicates" button.		<b>Permanent Press</b>
Trousers, skirts, dresses, shirts	for laundry which will be ironed with a steam iron	Econo dry
Synthetic trousers, skirts, dresses, shirts, blouses, leggings and sportswear	for laundry which will be ironed either lightly, or not at all	Light dry
Shirts, blouses, sportswear	for laundry that will not be ironed	Regular dry
Bed and table linen, jogging suits (sweats)	for thick, multi-layered materials which will not be ironed	Very dry
Parkas (anoraks), bed covers	particularly thick or multi-layered materials	Extra dry
<b>Timed Cycles</b>		
Pre-dried fabrics with low moisture content and separate, small items		<b>Heated Dry: 10–90 min.</b>
All fabrics or items needing freshening, tumbles without heat		<b>Air Fluff: 10–90 min.</b>
*Refers to full and half loads from Bosch tumble action clothes washer.		

Table 1.

## OPERATION

Below you will find a more detailed explanation of the operation of your dryer:

### 1. Turn the dryer on

Depress the "On/Off" button. The indicator light above the button will become illuminated indicating that the machine is on and the light above the "Start" button will flash.

### 2. Check the Lint Filter

The lint filter, located in the door, should be cleaned after or before each load. Check the lint filter and if it was not cleaned after last use clean it now. Cleaning the filter will shorten drying times and save energy.

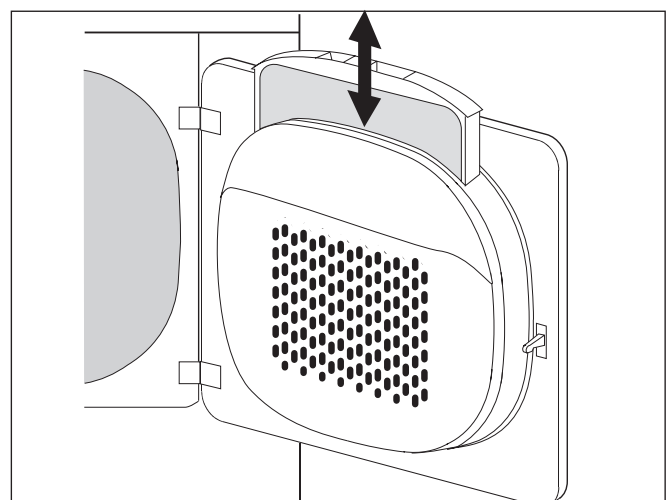


Figure 2.



### 3. Load the dryer

For best results it is recommended that the drying load be sorted by fabric type and desired dryness level. Also, close all zippers, hooks and eyelets and tie loose belts and apron strings, etc. before placing in the dryer.

- a. Depress the "Door" button. The door will open and the drum light will turn on.
- b. Check the drum interior for foreign objects or pets and remove any used fabric softener sheets.
- c. Place laundry items to be dried loosely into the drum of the dryer.

### 4. Add Fabric Softener Sheet, if desired

If a fabric softener sheet is to be added it should be done after loading the dryer and before the dryer and load become warm. This will prevent greasy-looking softener stains.

### 5. Close the Door

Check the area around the drum opening to make sure that nothing is caught on the edge or hanging outside the drum and close the door making sure the door clicks into place and is fully closed.

**Note:** If the door is not fully closed the dryer will not operate.

### 6. Select the Drying Cycle Desired

The Bosch dryers can be operated in either the Electronic Auto Dry Cycle mode, which uses the Duotronic moisture sensing system, or in Time Cycle mode, which uses a timer to control the length of the program. See below and CYCLE SELECTION CHART, Table 1, for program recommendations:

- a. To use **Electronic Auto Dry Cycles** (dryer runs until the drying level selected has been reached) activate by turning the Cycle Selector knob (see Figure 3) to:

- i. **Regular /Cott.**  
The Auto-Program dial should be turned to point to the right to select Regular/Cott. settings. As the knob is turned the lights directly above the knob will illuminate to indicate the level of dryness selected, from Extra dry through Damp dry. See Table 1 for recommended settings for type of load being dried.

or,

- ii. **Permanent Press**  
The Auto-Program knob should be turned to point to the left to select Permanent Press settings. As the knob is turned the lights directly above the knob will illuminate to indicate the level of dryness selected, from Extra dry through Econo dry. See Table 1 for recommended settings for type of load being dried.

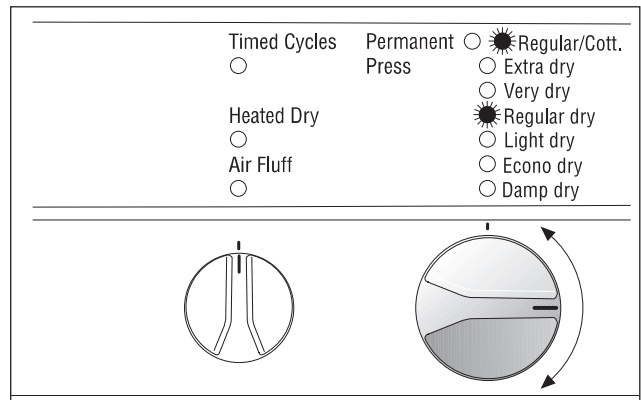


Figure 3.

- b. To use **Time Cycles** (dryer runs for selected length of time) activate by turning the time program selector (see Figure 4):

- i. **Heated Dry**

The Time Cycle's knob should be turned to point to the right to select the Heated Dry setting. Then depress the "Cycle Time Minutes" button to set the time interval for drying. The time can be set at 10–90 minutes in 10 minute steps.

or,

- ii. **Air Fluff (cold)**

The Time Cycle's knob should be turned to point to the left to select the Air Fluff setting. Then depress the "Cycle Time Minutes" button to set the time interval for drying. The time can be set at 10–90 minutes in 10 minute steps.

**Note:** The Auto-Program knob must be pointing straight-up to use Time Cycles.

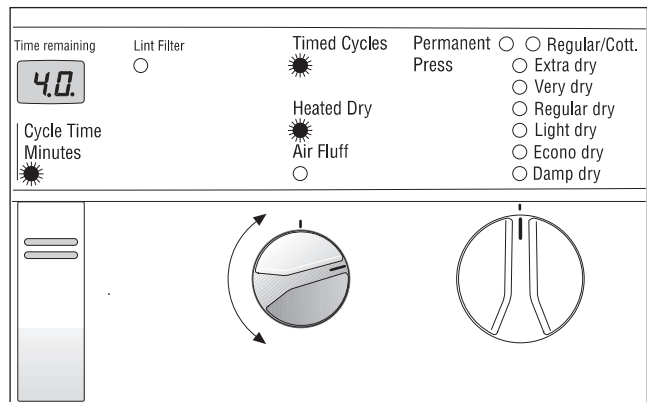


Figure 4.

## 7. Select ADDITIONAL FUNCTIONS, if desired

The additional functions available are accessible by depressing the buttons:

### “Delicates”

The “Delicates” button, see Figure 5, will reduce the drying temperature and lengthen the drying time when depressed. It is recommended that the “Delicates” button be depressed when drying heat sensitive fabrics, such as, acrylics. Be sure to follow the instructions listed on the care label instructions.

### “End of Cycle Signal”

When the “End of Cycle Signal” button, see Figure 5, is activated there will be a signal sounded at regular intervals at completion of the selected program.

The volume level of the sound may be changed by holding the button in until desired volume level is reached. This volume level will be stored for future use until altered.

The end of cycle signal can be switched off by depressing the button again. The indicator light above the button will turn off to indicate that the signal is no longer selected.

## 8. Press the ‘Start’ Button

Depress the ‘Start’ button. The indicator light above the ‘Start’ button will become illuminated and the machine will start. If one of the Auto Cycles has been selected the Duotronic system will continuously monitor the moisture level of the load and display the progress in the “Moisture Level Indicator Lights.” If a timed cycle has been selected, either Heated Dry or Air Fluff, the minutes remaining in the program will be shown in the “Cycle Countdown Display.”

The program will continue to the end, when the “End” indicator lamp will become illuminated. And if the “End of Cycle Signal” has been selected a signal will sound.

**Note:** If using the Auto program at the beginning of the cycle there will be numerous rotations in each direction with complete stops in between for approximately 90 seconds. There is nothing wrong with the machine, it is taking a reading on the moisture of the load to determine how long to dry.

**Note:** If the load is not removed, the drum will, for the following 35 minutes, rotate at brief intervals to prevent wrinkling (**Anti-Crease**). After 35 minutes this feature will cease its function. It is recommended that the dryer be unloaded no later than 35 minutes after completion of program to avoid wrinkling.

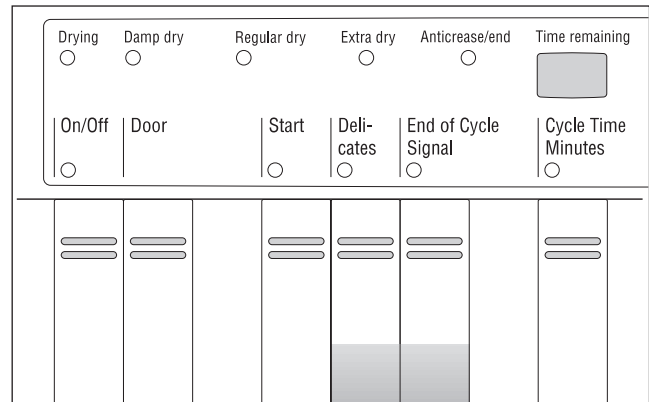


Figure 5.

## 9. Depress the “Door” button

The door will open.

## 10. Remove the Laundry from the Dryer

## 11. Clean the Lint Filter

The lint filter, located in the door, should be cleaned after each load. Cleaning the filter will shorten drying times and save energy.

## 12. Turn Off the Dryer.

Depress the “On/Off” button.

## CARE and CLEANING

The housing and control panel should only be cleaned with a soft cloth rinsed in soapy water, or with a solvent free, non-scouring cleaning agent.

Other areas requiring periodic cleaning or maintenance are listed below:

### Lint Filter

The lint filter should be cleaned after each use or if the "Lint Filter" light becomes illuminated and the buzzer sounds during operation of the dryer:

1. Immediately stop the dryer by depressing the "On/Off" button.
2. Depress the "Door" button and open the door.
3. Remove the filter.
4. Clean the filter.
5. Replace the filter.
6. Let the dryer cool down.
7. Close the door.
8. Press the "Start" button to restart the dryer.

### Heat Exchanger (WTL models only)

The heat exchanger should be cleaned 3–4 times a year; more often if used frequently. To clean the heat exchanger:

1. With the dryer turned off and disconnected from the electrical supply. Disconnect the power cord by grasping the plug, not the cord.
2. Depress the "Door" button and open the door.
3. Press the button for opening the heat exchanger/inlet panel, as shown in Figure 6.

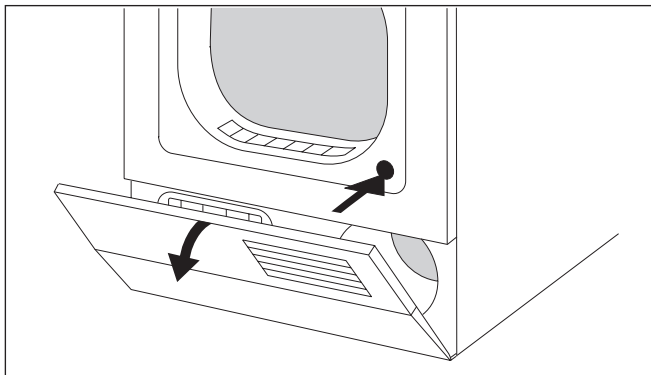


Figure 6.

4. Open the panel fully.
5. Turn the retainers on each side of the heat exchanger towards each other, in the direction of the arrows as shown in Figure 7.
6. Remove the heat exchanger by slowly pulling it forward and out of the dryer.
7. Clean the heat exchanger thoroughly with water. Allow the water to run freely through the heat exchanger. See Figure 8.

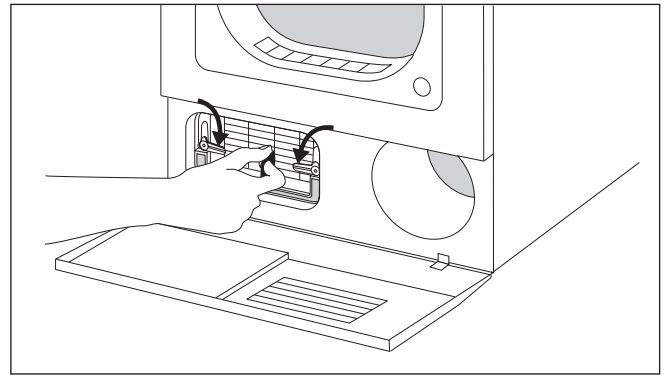


Figure 7.

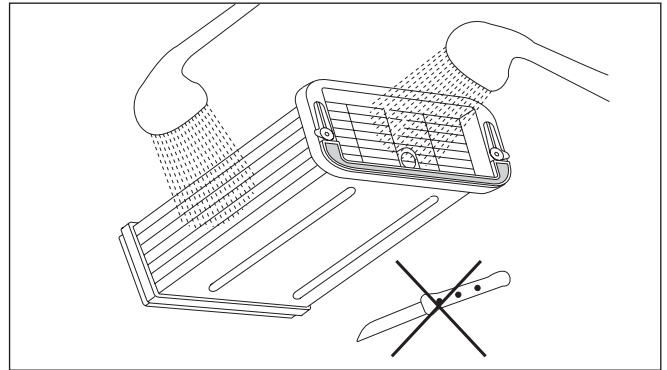


Figure 8.

8. Allow heat exchanger to dry thoroughly before reinserting into the dryer.
9. Once the heat exchanger is completely dry, reinsert it into the dryer. The handle must be underneath the heat exchanger. Turn the retainers back to their original position.
10. Close the heat exchanger/inlet panel by pressing firmly on both the upper left and right hand sides, as shown in Figure 9, until it snaps into place.

**Note:** The dryer door will only be able to be closed if the heat exchanger/inlet panel is properly closed and locked in place.

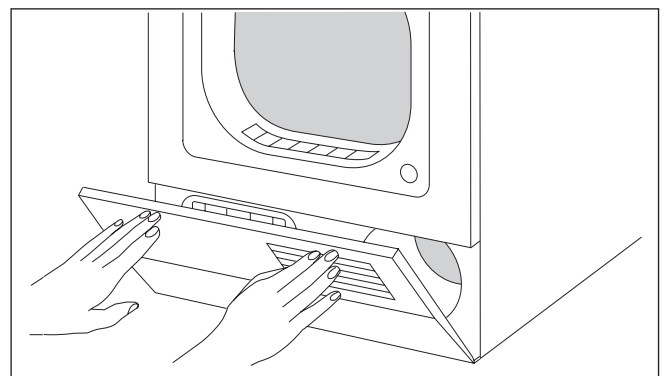


Figure 9.

## Moisture Sensor

Occasionally the moisture sensors will need cleaning, due to a build-up of a fine layer of lime scale on the inside of the drum. This build-up of lime scale can be easily removed by wiping the sensors, the metal inserts in the paddles, and the inside of the drum with a soft cloth soaked in vinegar (use white vinegar). See Figure 10.

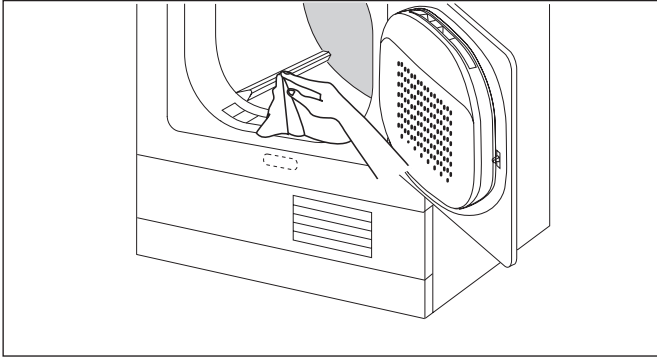


Figure 10.

## SERVICE and REPAIR

The Bosch dryers require no special care other than the care and cleaning noted above. If you are having a problem with your dryer, before calling for service please refer to Table 2, SELF-HELP section, following. If service becomes necessary, contact your dealer or installer or an authorized service center. Do not attempt to repair the appliance yourself. Any work performed by unauthorized personnel may void the warranty.

If you are having a problem with your Bosch dryer and are not pleased with the service you have received:

- First, please contact your installer or the Bosch Authorized Service Contractor in your area and explain to them why you are not satisfied. This will usually correct the problem.
- If after working with your installer or service person the problem still has not been resolved to your satisfaction, please let us know by either writing to us at,

BSH Home Appliances  
5551 Mc Fadden Avenue  
Huntington Beach, CA 92649

or, calling us at,

**1-800/944-2904.**

## Frost Protection (WTL models only)

The WTL models, since they remove moisture by condensing the water out of the air and then pumping the water to drain, should never be installed in an area subject to freezing. Also, if the dryer is to be transported where it would be subjected to freezing the dryer must be completely emptied of water before transporting.

Please be sure to include, if writing, or have available, if calling, the following information:

- Model Number
- Serial Number
- Date of Original Purchase
- Date Problem Originated
- Explanation of Problem

Also, if writing, please be sure to include a daytime telephone number and a copy of the sales invoice.

You will find the model number and serial number information on the rating plate located on the inside of the door above the lint filter. See Figure 1.

## SELF-HELP

Dryers may exhibit problems that are unrelated to a malfunction of the dryer itself. The following table may serve to answer your question about a problem you are having without having to call a serviceman.

PROBLEM	POSSIBLE CAUSE
"On/Off" Indicator light does not come on	<ul style="list-style-type: none"> <li>● The "On/Off" has not been depressed.</li> <li>● A fuse may have blown or a circuit breaker tripped. Replace fuse or reset circuit breaker at your fuse box/breaker box.</li> <li>● The plug is not correctly or only loosely inserted into the receptacle.</li> </ul>
Dryer does not start	<ul style="list-style-type: none"> <li>● Cycle has not been selected.</li> <li>● "Start" button has not been depressed.</li> <li>● Door is not closed properly.</li> <li>● Room temperature is below 32 °F (0 °C)</li> <li>● If necessary, switch the machine off and wait 5 seconds before switching it on again. Select the cycle again and depress "Start".</li> </ul>
Cycle is interrupted and "Lint Filter" light is illuminated and buzzer sounds	<ul style="list-style-type: none"> <li>● Clean Lint Filter as described in section titled CARE and CLEANING.</li> <li>● (WTA models) Check exhaust vent to see if it is blocked or too long.</li> <li>● (WTL models) Clean heat exchanger as described in section titled CARE and CLEANING.</li> <li>● (WTL models) Check air inlet to make sure it is not blocked.</li> </ul>
Cycle is interrupted, buzzer sounds, one or several cycle indicators are flashing	<ul style="list-style-type: none"> <li>● Indicates faulty operation: <ul style="list-style-type: none"> <li>– Clean the Lint Filter, check the exhaust duct length (WTA models),</li> <li>– Switch the dryer off, wait for it to cool down and then restart.</li> </ul> </li> </ul>
Drying level not reached or drying time too long	<ul style="list-style-type: none"> <li>● Clean the Moisture sensors in the drum as described in section titled CARE and CLEANING.</li> <li>● If there is a power failure for an extended period the cycle must be restarted.</li> </ul>
The laundry is not dry even though the highest drying level has been selected	<ul style="list-style-type: none"> <li>● The drum is too full.</li> <li>● The laundry was too wet when placed in the dryer.</li> <li>● The room is not adequately ventilated. Make sure there is an adequate supply of fresh air.</li> <li>● The lint filter is blocked and should be cleaned.</li> <li>● (WTA models) The exhaust vent is blocked or too long.</li> <li>● (WTL models) The air inlet is blocked.</li> </ul>
Drum light does not work	<ul style="list-style-type: none"> <li>● "On/Off" button has not been pressed.</li> <li>● Bulb has failed. For safety reasons the bulb must only be replaced by an authorized service agent.</li> </ul>
<b>Following items apply only to the WTL (Condensation Electric Dryer) models</b>	
Cycle is interrupted and "E1" appears in display	<ul style="list-style-type: none"> <li>● Condensate hose is blocked in some way. Turn off dryer and check hose.</li> </ul>
Humidity level in room increases greatly	<ul style="list-style-type: none"> <li>● The room is not adequately ventilated. Make sure there is an adequate supply of fresh air.</li> <li>● Check air inlet to see if it is blocked.</li> <li>● The heat exchanger was removed but not replaced.</li> </ul>

Table 2.

# STATEMENT OF WARRANTIES BOSCH CLOTHES DRYERS

The warranties provided by BSH Home Appliances (“Bosch”) in this Statement of Warranties apply only to Bosch Clothes dryers sold to the first using purchaser by Bosch or its authorized dealers, retailers or service centers in the United States or Canada. The Warranties provided herein are not transferable.

LENGTH OF WARRANTY	SCOPE OF WARRANTY
1 Year Full Limited Warranty From Date of Installation*	Bosch will repair or replace, free of charge, any component part that proves defective under conditions of normal home use, labor and shipping costs included. Warranty repair service must be performed by an authorized Bosch Service Center.
2 Year Limited Warranty From Date of Installation*	Bosch will provide replacement parts, free of charge, for any component part that proves defective under conditions of normal home use, shipping costs included, labor charges excluded.
5 Year Limited Warranty on Electronics From Date of Installation*	Bosch will repair or replace, free of charge, any microprocessor or printed circuit board that proves defective under conditions of normal home use during the second through fifth year from the date of original installation, labor charges excluded.
5 Year Limited Warranty on Motor From Date of Installation*	Bosch will repair or replace, free of charge, any motor or component part of the motor that proves defective under conditions of normal home use for a period of five years, labor charges excluded.
5 Year Limited Warranty on Cabinet Rust From Date of Installation*	Bosch will replace any cabinet part, free of charge, if that cabinet part should rust through under conditions of normal home use, labor charges excluded.
Lifetime Limited Warranty against Stainless Steel Rust Through From Date of Installation*	Bosch will replace your clothes dryer, free of charge, with the same model or a current model that is equivalent or better in functionality if the dryer drum should rust through under conditions of normal home use, labor charges excluded.
* Date of installation shall refer to the earlier of the date the clothes dryer is installed or ten business days after the delivery date.	

## Exclusions

This warranty does not cover service calls or repairs to correct the installation of the clothes dryer, to provide instructions on the use of your clothes dryer, to replace house fuses or correct plumbing or the electric wiring in your home or to repair any clothes dryer that's use was in a manner other than what is normal and customary for home use. In addition, the warranties provided in this Statement exclude any defects or damage arising from accident, alteration, misuse, abuse, improper installation, unauthorized service work, external forces beyond Bosch's control, such as fire, flood, and other acts of God, or installation not in accordance with local electrical and plumbing codes. Labor charges incurred in the repair or replacement of any clothes dryer after a period of one year from date of installation shall not be covered by this warranty. Any and all replaced and/or repaired parts shall assume the identity of the original for purposes of the applicable warranty period. TO THE EXTENT PERMITTED BY LAW, THIS WARRANTY IS IN LIEU OF ALL OTHER EXPRESS AND IMPLIED WARRANTIES, INCLUDING THE IMPLIED WARRANTIES OF MERCHANTABILITY AND FITNESS FOR A PARTICULAR PURPOSE. BOSCH DOES NOT ASSUME ANY RESPONSIBILITY FOR INCIDENTAL OR CONSEQUENTIAL DAMAGES.

TO OBTAIN WARRANTY SERVICE, CONTACT THE NEAREST BOSCH AUTHORIZED SERVICE CENTER OR CALL 1-800-944-2904, OR WRITE TO: BSH HOME APPLIANCES CORP., 5551 MC FADDEN AVENUE HUNTINGTON BEACH, CA 92649. BE SURE TO PROVIDE YOUR CLOTHES DRYER'S MODEL, SERIAL NUMBER, PURCHASE DATE AND THE SELLER'S NAME AND ADDRESS.

# Installation Instruction

## Introduction

Read these installation instructions completely and carefully. They will save you time and effort and help to ensure optimum dryer performance. Be sure to observe all listed warnings and cautions.

These installation instructions are intended for use by qualified installers. In addition to these instructions the dryer must be installed:

- In the United States, in accordance with the National Electric Code, ANSI/NFPA70 – latest edition/State and Municipal codes and/or local codes.
- In Canada, in accordance with the Canadian Electric Code C22.1 – latest edition/Provincial and Municipal codes and/or local codes.

## Tools Needed for Installation

The following tools are needed for installation of this dryer:

- Box cutter
- Flat blade screwdriver
- #2 Phillips head screwdriver
- Duct tape
- Caulking gun and compound
- Level
- Safety goggles
- Gloves

## Parts Supplied for Installation

- Condensation water drain hose (WTL 5410 only)
- Stacking kit

## Parts Needed for Installation (Model WTA 3510 only!)

Four inch (approx. 100 mm) diameter metal exhaust duct (rigid or flexible) of proper length and with elbows and exhaust vent hood required to vent to outdoors.

## Dryer Electrical Cord

The Bosch dryer comes with a 4-wire power supply cord pre-installed. This cord fits a 4-wire receptacle as shown in the upper section of Figure 11.

If your receptacle is a 3-wire receptacle, as shown in the lower section of Figure 11, a 3-wire “Dryer Cord” must be purchased locally. The 4-wire cord must then be removed and the 3-wire cord installed in its place, as instructed in following section.

When purchasing a 3-wire power supply cord make sure the cord meets following requirements:

- U.L listed in the USA, CSA listed in Canada
- 240 volt rated (minimum)
- 30 ampere
- Type SRD or SRDT
- Five feet long (minimum)

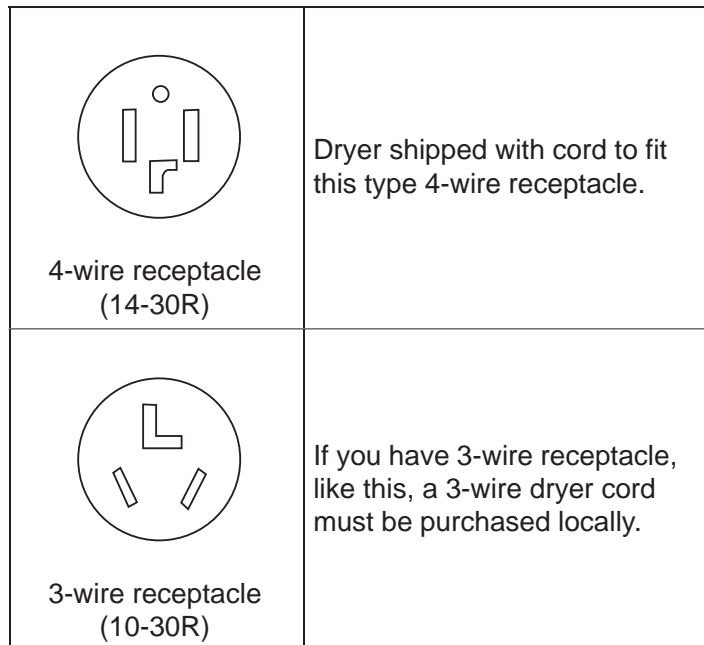


Figure 11.

## Grounding Instructions

This appliance must be grounded. In the event of malfunction or breakdown, grounding will reduce the risk of electric shock by providing a path of least resistance for the electric current. This appliance is equipped with a cord having an equipment grounding conductor and a grounding plug. The plug must be plugged into an appropriate outlet that is properly installed and grounded in accordance with all local codes and ordinances.



## WARNING

Improper connection of the equipment grounding conductor can result in a risk of electric shock. Check with a qualified electrician or serviceman if you are in doubt as to whether the dryer is properly grounded.

## Additional Grounding Procedure

Some local codes may require a separate ground. In such cases, the required accessory ground wire, clamp and screw must be purchased separately.

**Never ground the dryer to plastic plumbing lines, gas lines or water pipes.**

## Electrical Receptacle

The receptacle for the dryer cord must be located so that the power supply cord will be accessible when the dryer is in the installed position.

## Venting

The WTA 3510, electric vented dryer, is intended to be vented to the outdoors. To prevent build-up of moisture and accumulation of lint indoors, as well as to maintain maximum drying efficiency, it is recommended that the Bosch WTA 3510 be vented to the outdoors.

## Ductwork

Four-inch (approx. 100 mm) diameter ducting should be used. Use either rigid metal or flexible metal ducting material. **DO NOT** use non-metal duct with this dryer.

Exhaust ducts should be as straight as possible. Exhaust ducting longer than recommended can extend drying time, can collect lint and may effect dryer performance. Joints should be secured with duct tape. **DO NOT** use screws to secure joints as lint can collect on the screws. See **Step 4, Exhaust Duct**, in following section titled **INSTALLATION** for recommended routing and duct length calculations.

## Exhaust Vent Hood

The exhaust duct must end with an approved exhaust vent hood with swing out damper(s). **DO NOT** use an exhaust vent hood with magnetic latches. To avoid restriction of exhaust the outlet must be a minimum of 12 inches (30 cm) above ground level, or any other obstructing surface. See Figure 17.

## Condensate Drain

The WTL 5410, electric condensation dryer, dries by condensing the moisture from the dryer air and then pumping this condensate out of the dryer.

The WTL 5410 must have its condensate hose connected to a suitable drain. See **Step 5, Condensate Hose Connection**, in the following section titled **INSTALLATION**.

## Stacking Kit

A stacking kit is supplied with each dryer in order to stack Bosch dryer upon a Bosch washing machine. This part is only necessary if stacking the units is desired.

## Stacking Kit with Pull-out-tray – WTZ 1180

As an additional accessory for purchase, Bosch offers a stacking kit for a Bosch washer and dryer that incorporates a pull-out-tray. The tray offers an area for folding and easier unloading of the dryer. See your local dealer for availability and price.



## Technical Data

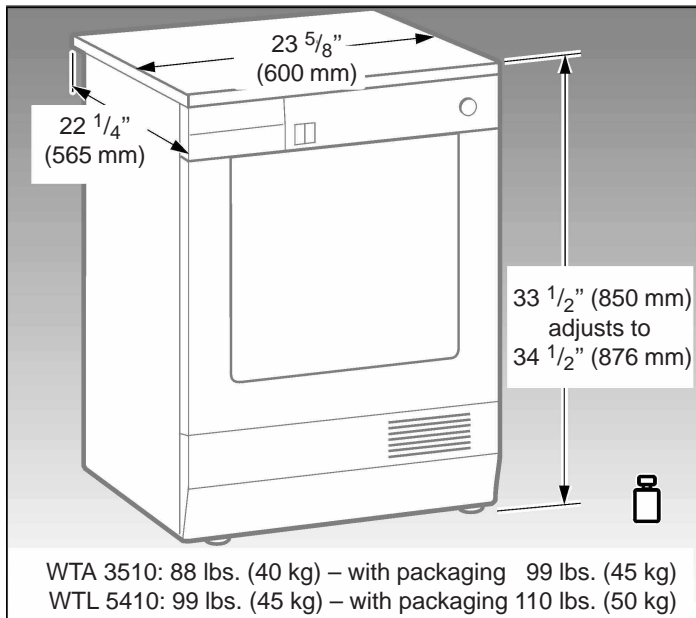


Figure 12.

### Electrical Requirements

The Bosch dryers should be CONNECTED TO AN 30A INDIVIDUAL BRANCH CIRCUIT. North American models have the following electrical rating:

Model	Volts	Hertz	Amperes	Watts (max.)
WTA 3510	208/240	60	13	3,100
WTL 5410	208/240	60	13	3,100

Check the rating plate on the dryer to make sure your machine has this rating.

### Choosing the Location

The dryer should not be installed:

- in an area exposed to dripping water or outside weather conditions
- in an area where it (and in the case of the WTA 3510, its exhaust duct) will come in contact with combustible materials, such as curtains, drapes or paper.
- in areas where water may freeze
- in an area where gasoline or other flammables are kept or stored.

Check local codes before choosing a location. Some codes do not permit installation of a clothes dryer in a garage, closet, mobile home or sleeping area. Your local building inspector should be able to advise you of the codes in your area.

### Minimum Installation Clearances

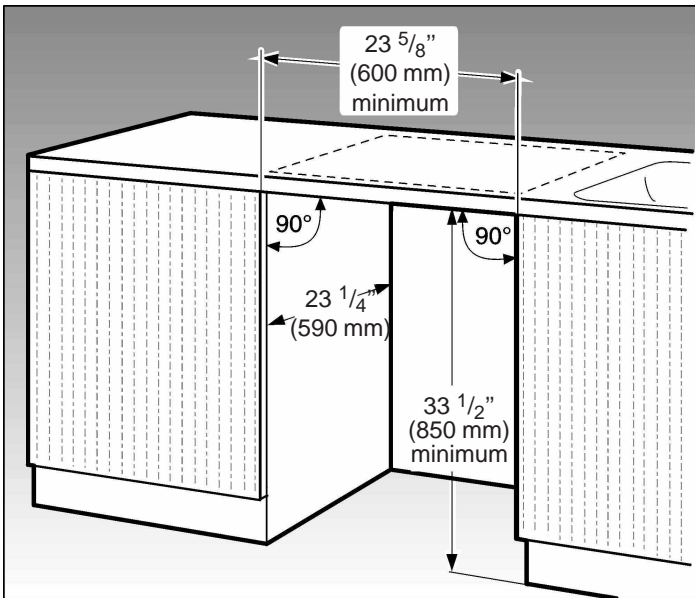
	Alcove or Under Counter	Closet
Sides	0" ( 0 mm)	0" ( 0 mm)
Top	0" ( 0 mm)	10" (250 mm)
Rear	1" (25 mm)	5" (125 mm)

### Ventilation Requirements

	Alcove or Under Counter	Closet
WTA 3510	Ensure air flow of 112 cu.ft./min (3,2 cu.m./min) through dryer	Closet door must have 2 (louvered) openings, each having a minimum area of 60 sq. inches (387 sq. cm.), located 3 inches (8 cm) from bottom and top of door. *
WTL 5410	Ensure air flow of 118 cu.ft./min (3,3 cu.m./min) through dryer	Closet door must remain open during dryer operation.
* A louvered door with equivalent air opening is acceptable.		

### Flooring

The dryer should be installed on a level, solidly constructed floor. DO NOT install the dryer on a carpeted floor.



**Figure 13.**

### Built-in Installation

The Bosch dryer can be built-in: that is, you can install the Bosch dryer under-counter in a kitchen cabinet opening. The cabinet opening should be square and have the dimensions as shown in Figure 13.

**Note:** If installed under a countertop, the countertop must be continuous and securely attached to neighboring cabinets.



## WARNING

DO NOT install the dryer in an area where gasoline or other flammable materials are kept or stored.

The dryer must be installed in a room that is adequately ventilated. Make sure there is an adequate supply of fresh air. Both the WTA 3510, electric vented dryer, and the WTL 5410, electric condensation dryer need an adequate supply of fresh air for optimum performance.

## CAUTION

DO NOT install the dryer in a closet with a solid door. The dryer must have make up air as specified on page 17 under Ventilation Requirements.

# INSTALLATION

## Step 1

### Unpack the Dryer

Carefully remove the packing material from the outside of the dryer.

## Step 2

### Inspect the Dryer

Thoroughly inspect the dryer, prior to installation, for possible freight or cosmetic damage.

## Step 3

### Position Dryer near Installation Area

Move the dryer so that it is within four feet of the desired position.

**Note:** Corrugated packing material may be used to protect the floor. Do not use corrugated material with staples.

## Step 4

### Exhaust Duct

#### (Model WTA 3510 only!)

The WTA 3510 must be exhausted to the outdoors.

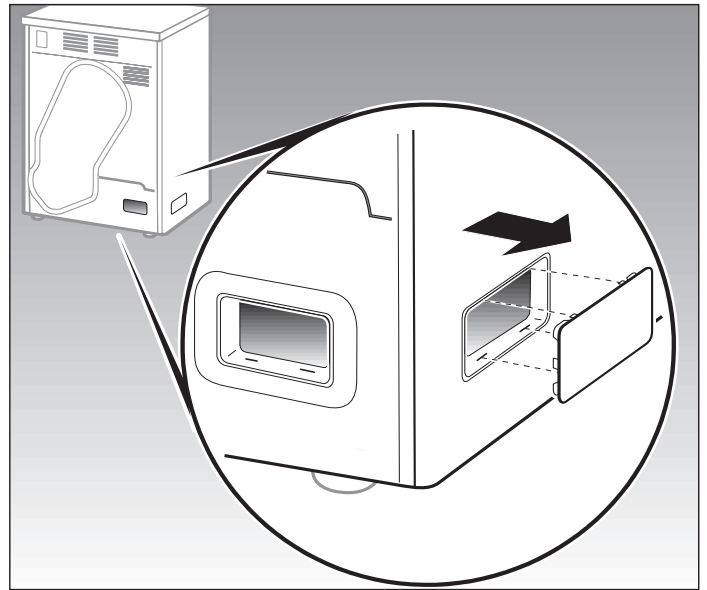


## WARNING

1. To reduce the risk of fire, this dryer **MUST BE EXHAUSTED OUTDOORS.**
2. **DO NOT** use non-metal duct with this dryer.
3. **DO NOT** use duct smaller than 4 inches in diameter.
4. **DO NOT** use exhaust hoods with magnetic latches.
5. **DO NOT** exhaust the dryer into a chimney, furnace cold air duct, attic, crawl space, or any other ductwork used for venting.
6. **DO NOT** install flexible duct in an enclosed wall, ceiling or floor.
7. **DO NOT** crush or kink the duct.
8. Do clean and inspect the exhaust system on a regular basis; once a year, at a minimum.
9. The exhaust duct must end with swing out damper(s).

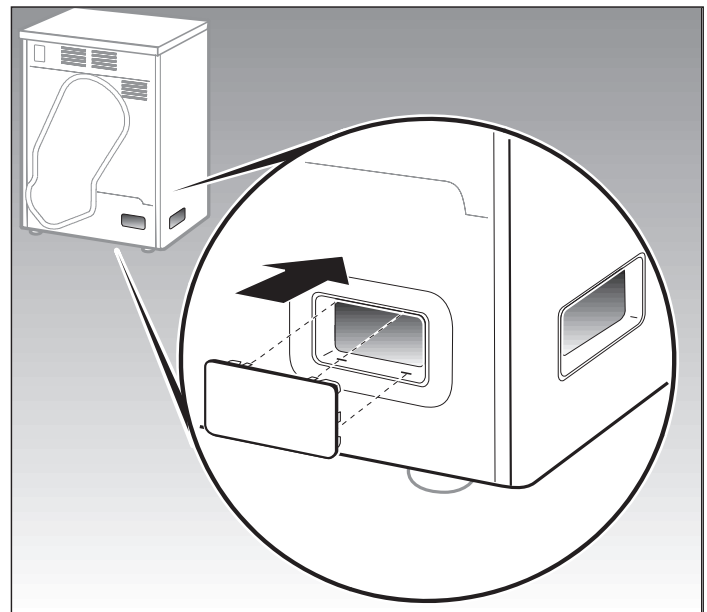
Be sure to install the exhaust according to all governing codes and ordinances. Rigid metal duct is recommended for venting this dryer. If flexible metal duct is used, be sure it is fully supported when the dryer is in its final position. Excess ducting should be trimmed off to avoid sagging or kinking of the ductwork.

The duct may be connected to the left, right or back of the WTA 3510, electric vented dryer. If connecting to the left or right hand side of the dryer, remove the sealing cover from the side to be used, as shown in Figure 14.



**Figure 14.**

The sealing cover should then be placed over the open vent opening at the back of the dryer, as shown in Figure 15.



**Figure 15.**

The connecting piece supplied with your WTA 3510 dryer must then be inserted in the vent opening that will be used. See Figure 16.

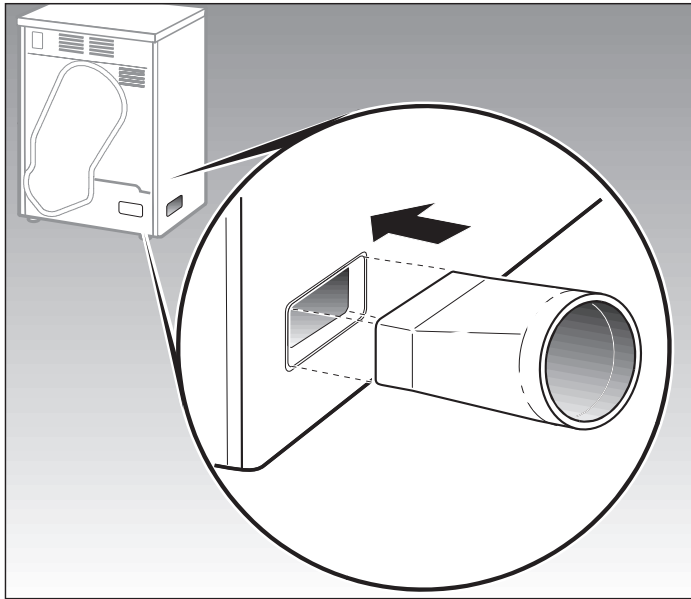


Figure 16.

### Checking/Installing Exhaust Ducting

The ducting system of the dryer, for optimum performance, should be as short as possible with a minimum number of elbows. Your WTA 3510 electric vented dryer will work best when the venting system has as few restrictions to the flow of air as possible.

Whether installing to an existing venting system or a new venting system, make sure that all ducting is clean and free of lint and does not exceed the length per elbows as shown in Table 1, below:

Number of Elbows	Maximum length of duct	
	Rigid Duct	Flexible Duct
0	30 ft. (914 cm)	20 ft. (610 cm)
1	22 ft. (670 cm)	15 ft. (457 cm)
2	14 ft. (427 cm)	9 ft. (274 cm)
3	6 ft. (183 cm)	4 ft. (122 cm)

Table 1.

Every elbow must have a minimum diameter of 4 inches (10 cm).

The above table assumes the use of an approved exhaust vent hood with a swing out damper. **DO NOT** use an exhaust vent hood with magnetic latches. To avoid restriction of exhaust the outlet must be a minimum of 12 inches (30 cm) above ground level, or any other obstructing surface, as shown below, in Figure 17.

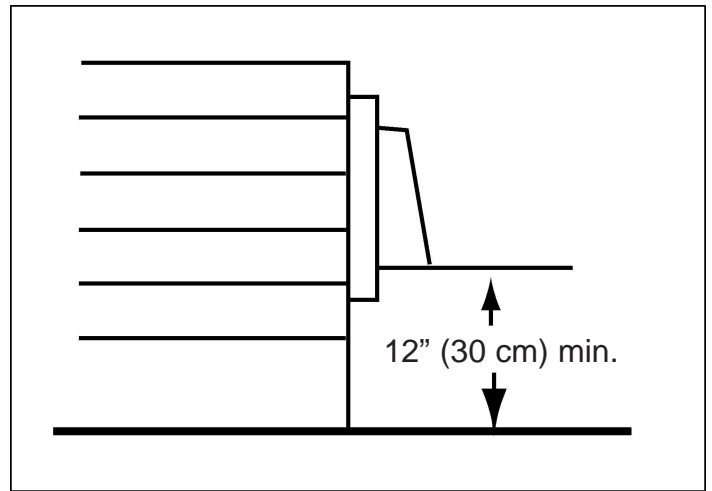


Figure 17.

### Step 5 Condensate Hose Connection (Model WTL 5410 only!)

The WTL 5410 must have its condensate drain line installed and run to a suitable drain. The connection for the condensate hose is located on the back of the WTL 5410, see Figure 18.

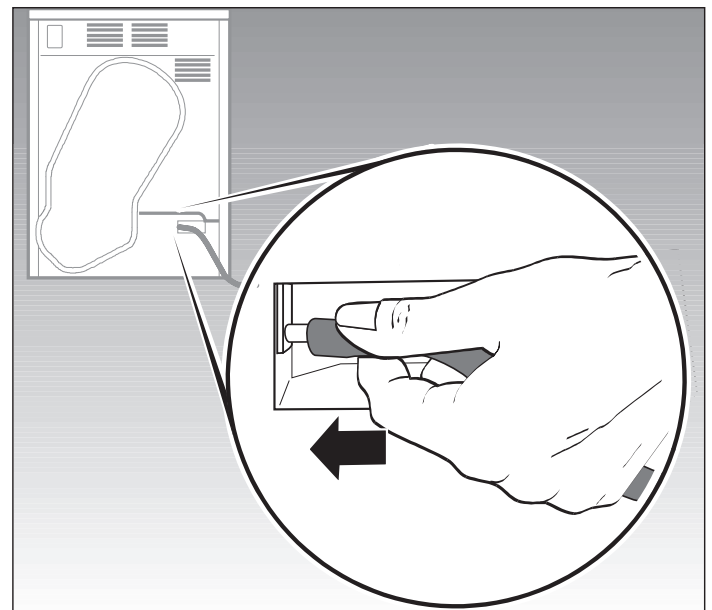


Figure 18.

Connect the condensate drain hose to the dryer. The other end should then be placed and secured at a nearby sink or drain, or if installed with a washer it may, room permitting, be installed next to the washer drain hose and drained to the same drain used by the washer.

Be sure to follow all local codes and regulations in running the condensate to a suitable drain.

## Step 6

### Electrical

The Bosch dryer comes with 4-wire power supply cord pre-installed. This cord fits a 4-wire receptacle as shown in the upper section of Figure 11.

If your receptacle is a 3-wire receptacle, as shown in the lower section of Figure 1, a 3-wire "Dryer Cord" must be purchased locally. The 4-wire cord must then be removed and the 3-wire cord installed in its place.

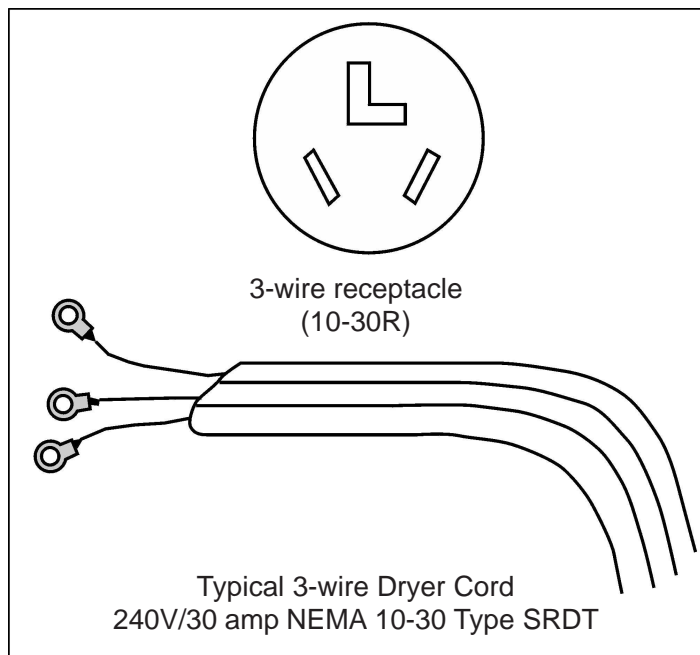
### Electrical Connection, 4-Wire

For a 4-wire system, all that is necessary is to plug the 4-wire power supply cord into the 4-wire receptacle of the proper rating.

**Note:** The receptacle should be located so that the plug and receptacle will be accessible when the dryer is in its final installed position.

### Electrical Connection, 3-Wire

If your receptacle is a 3-wire receptacle as shown below, Figure 19, you must obtain a 3-wire dryer cord. Dryer cord can usually be found at your local hardware supply, electrical supply or home center. Cord should have closed loop or upturned end wire terminating connectors.



**Figure 19.**

**Note:** If the dryer is installed in a mobile home or in areas where local codes do not permit grounding, only a 4-wire power supply cord shall be used.

## To Change Cord:

1. Make sure that the dryer is not plugged into any power outlet.



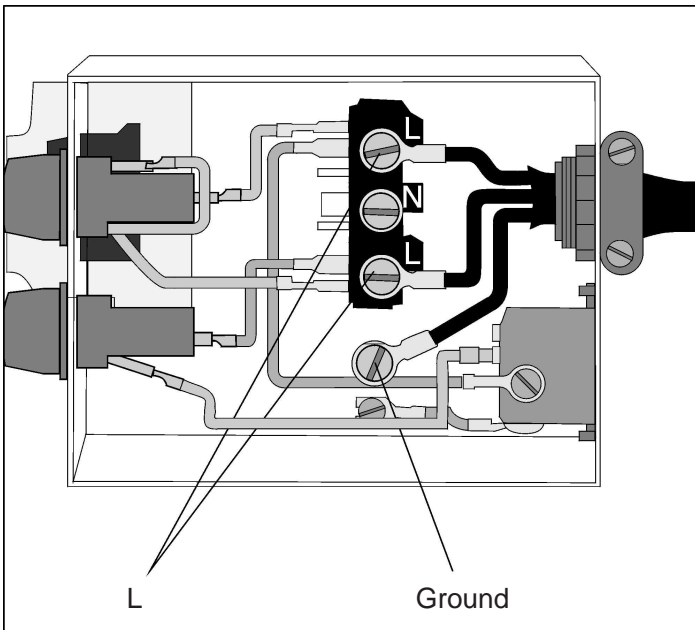
## WARNING

DO NOT plug end of dryer power cord into a live receptacle before connecting dryer power cord to dryer terminals and closing junction/splitter box as described below.

DO NOT reuse old power supply cord.

Power cord must be changed only by a qualified person.

2. Remove the screw from the cover of the junction/splitter box located at the top rear of the dryer.
3. Remove the green ground wire from the ground terminal.
4. Remove the red, white and black wire from the terminal block.
5. Loosen the 2 screws in the U.L. strain relief clamp, holding the 4-wire cable.
6. Thread the 4-wire cable out through the U.L. strain relief clamp and throw away.
7. Thread the new 3-wire dryer cord through the U.L. strain relief clamp.
8. Attach the power cord Ground conductor (the center wire) to the Ground terminal. Tighten the terminal so that it securely holds the Ground conductor.
9. Attach the two remaining power cord outer conductors to the 2 terminals labeled L. Tighten both screws so that the power conductors are securely held in place. See Figure 20.
10. Tighten the screws on the U.L. strain relief so that the power cord cannot be moved.



**Figure 20.**

**11.** Check the nut on the U.L. strain relief clamp to make sure that it is tight and the strain relief clamp cannot turn.

**12.** Replace the cover on the junction/splitter box and fasten in place.

The dryer is now ready to be plugged into the 3-wire receptacle, of the proper rating.

**Note:** The receptacle should be located so that the plug and receptacle will be accessible with the dryer in its installed position.

## Additional Grounding Procedure

Some local codes may require a separate ground. In such cases, the required accessory ground wire, clamp and screw must be purchased separately. **Never ground the dryer to plastic plumbing lines, gas lines or hot water pipes.**

### Step 7

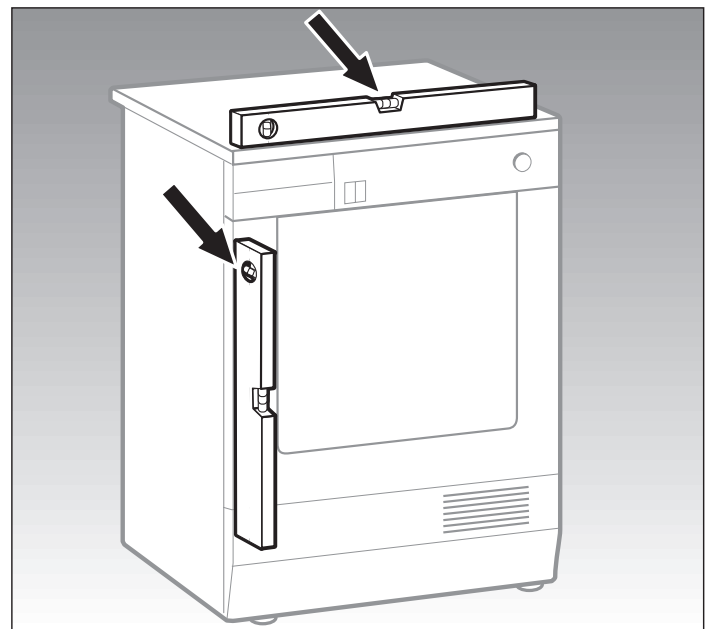
#### Position and Level the Dryer

Place the dryer in position on a clean, level, solidly constructed floor. Installation on any type of carpeting is not recommended.

With dryer in position, it must then be leveled. Check dryer, using level as shown in Figure 21.

## CAUTION

Do not slide dryer across the floor if leveling legs have been extended. Legs and/or dryer base may be damaged if dryer is slid across floor with leveling legs extended.



**Figure 21.**

The dryer should be level with all four feet firmly on the ground. The dryer must not wobble.

If the dryer is not level or if it does wobble, the legs must be adjusted. Refer to Figure 22. Adjust the leveling legs until the dryer does not rock and is level, both front-to-back and side-to-side.

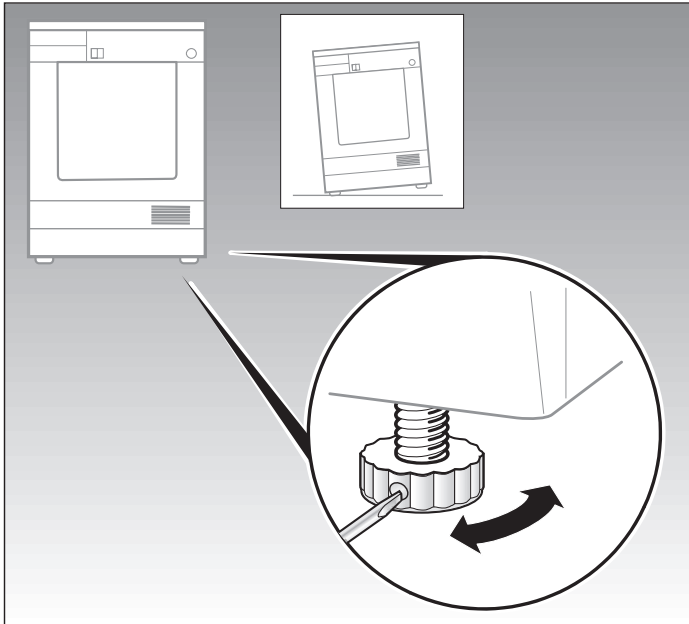


Figure 22.

### Step 8

#### Connect Duct System to Dryer (Model WTA 3510 only!)

Connect the exhaust ducting system to the dryer exhaust outlet.

### Step 9

#### Final Check List

1. Review the electrical requirements (and for WTA model the exhaust requirements) and steps 1 through 8 to make sure they were performed properly.
2. Make sure the electrical supply is on.
3. Read the Use and Care Manual to fully understand how your dryer operates. Turn on the dryer. Select the "Heated Dry" cycle and let the dryer run for 2–5 minutes.
4. After 2–5 minutes stop the dryer and open the door. You should feel heat inside the dryer.
5. If the dryer does not operate, refer to the SELF-HELP and the SERVICE and REPAIR sections of the Use and Care Manual.
6. Upon completing check, turn dryer off.
7. **LEAVE INSTALLATION INSTRUCTIONS AND USE AND CARE MANUAL WITH OWNER.**





## Free Manuals Download Website

<http://myh66.com>

<http://usermanuals.us>

<http://www.somanuals.com>

<http://www.4manuals.cc>

<http://www.manual-lib.com>

<http://www.404manual.com>

<http://www.luxmanual.com>

<http://aubethermostatmanual.com>

Golf course search by state

<http://golfingnear.com>

Email search by domain

<http://emailbydomain.com>

Auto manuals search

<http://auto.somanuals.com>

TV manuals search

<http://tv.somanuals.com>