

# LTC 0385 Series DinionXF Monochrome Cameras

[www.boschsecurity.com](http://www.boschsecurity.com)



**BOSCH**  
Invented for life



- ▶ 15-bit DSP technology
- ▶ XF-dynamic
- ▶ Bilinx communication
- ▶ Default shutter
- ▶ Lens wizard

The LTC 0385 Series of High Performance 1/3-inch Digital CCD Monochrome Cameras create the best possible image, even under the most difficult light and scene conditions.

Based on unique 15-bit digital video processing technology and employing XF-Dynamic, these cameras provide excellent sensitivity with extended dynamic range. By employing the best 1/3-inch CCD available, advanced front end processing, combined with the outstanding Dinion DSP, the cameras achieve an astonishing sensitivity, providing better images in low light situations and sharper daytime images.

All Dinion cameras are supplied ready to operate. Simply attach and focus the lens, and connect power to provide optimal pictures under virtually all scene conditions. No tools are required for back focus and power connection. For extra challenging situations where fine tuning or special settings are required, the camera parameters can be individually set using the control buttons on the side of the camera and On-screen Display (OSD). Also, to aid installation, the camera automatically detects the lens type, and using the Lens Wizard ensures accurate (back) focusing for perfectly sharp pictures at all times

## Functions

### XF-Dynamic

Extended dynamic range is brought to a new level on the LTC 0385 Series Camera by XF-Dynamic technology. XF-Dynamic automatically processes the highly accurate 15-bit digital signal to optimally capture the detail in both the highlight and lowlight areas of the scene simultaneously, to maximize the information visible in the picture.

### Bilinx Technology

The LTC 0385 series cameras incorporate Bilinx. Bilinx is a bidirectional communication capability embedded in the video signal of all Bosch Dinion cameras. With Bilinx technicians can check status, change camera settings and even update firmware from virtually anywhere along the video cable. Bilinx reduces service and installation time, provides for more accurate set-up and adjustment, and improves overall performance. In addition, Bilinx uses the standard video cable to transmit alarm and status messages, providing superior performance without additional installation steps.

**Video Motion Detection**

The built-in video motion detector allows you to select up to four fully programmable areas with individual thresholds. The global scene change detector minimizes false alarms caused by sudden lighting condition changes, such as switching on or off the indoor or security lighting. When motion is detected alarms may be displayed in the video signal, the output relay can be closed in addition to alarm message transmission on Bilinx.

**Auto Black**

The automatic black level feature, enhances contrast by removing veiling glare from the picture or when contrast is reduced by fog or mist.

**Default Shutter**

When viewing moving objects a fast shutter speed is required. When using a fast shutter speed the lens opening or gain control needs to be increased to maintain the video signal. The camera sensitivity is limited by the fast shutter speed. The default shutter setting of the LTC 0385 offers the best of all worlds, fast shutter speed as long as there is sufficient light, however as the light level falls, when other adjustments have been exhausted, the shutter reverts to the standard setting maintaining the cameras excellent sensitivity.

**Back Light Compensation (BLC)**

Offering a fully programmable BLC area of interest, and a variable BLC level, the camera can be easily set up for even the most challenging entrance applications.

**Lens Wizard**

The LTC 0385 series automatically detects the type of lens installed. The Lens Wizard will focus the lens at the maximum lens opening, to ensure that focus is maintained throughout the entire 24-hour day/night cycle. No special tools or filters are required.

**Programmable Modes**

The camera supports three independent operating modes. The 3 modes are preprogrammed for typical applications, but are fully programmable for individual situations. Switching between modes is easy via Bilinx or the external alarm input.

**SensUp**

By increasing the integration time on the CCD up to 10 times, the effective sensitivity is dramatically enhanced, especially useful where there is no artificial lighting and you rely on the moon, stars and scattered radiation.

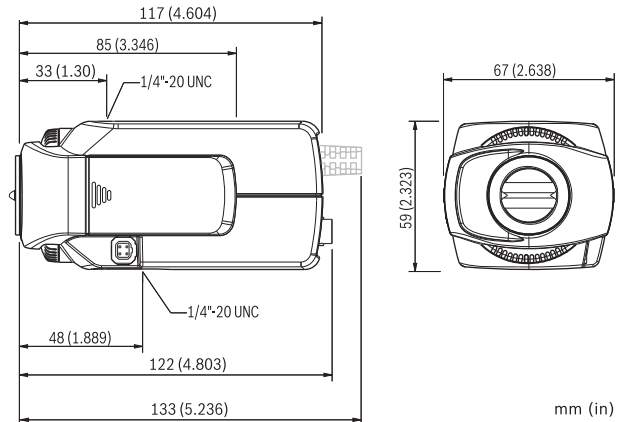
**Certifications and Approvals**

**Electromagnetic Compatibility**

Emission	EN55022 class B, FCC class B part 15
Immunity	EN50130-4 Alarm Systems, Part 4

Vibration	Camera with 500 gr (1.1 lbs) lens according to IEC60068-2-27	
<b>Safety</b>		
EN60065 (/10 and /50 models)		
UL6500, cUL CAN/CSA E60065-00 (/20 and /60 models)		
<b>Region Certification</b>		
Europe	CE	EC-Declaration of Conformity

**Installation/Configuration Notes**



Dimensions in mm (inches)

**Parts Included**

Quantity	Components
1	LTC 0385 Series Dinion <sup>XF</sup> Monochrome Camera
1	Spare male 4-pin lens connector
	Lens not included

**Technical Specifications**

**Electrical**

Model No.	Voltage Range		System
LTC 0385/10	12 – 28 VAC 11 – 39 VDC	45 – 65 Hz	CCIR
LTC 0385/20	12 – 28 VAC 11 – 39 VDC	45 – 65 Hz	EIA
LTC 0385/50	85 – 265 VAC	45 – 65 Hz	CCIR
LTC 0385/60	85 – 265 VAC	45 – 65 Hz	EIA

Power Consumption	4 W
Imager	Interline transfer CCD, 1/3-inch image format

<b>Active Pixels</b>	
CCIR Models:	752 H x 582 V
EIA Models:	768 H x 492 V
<b>Sensitivity</b>	
Sensitivity (Full video) <sup>1)</sup>	0.23 lux (0.023 fc)
Sensitivity 50 IRE <sup>1)</sup>	0.046 lux (0.0046 fc)
Minimum Illumination <sup>1)</sup>	0.031 lux (0.0031 fc)
Minimum Illumination with Sens UP	0.0031 lux (0.00031 fc)
Horizontal Resolution	570 TVL
Signal-to-Noise-Ratio	> 50 dB
Video Output	1 Vpp, 75 ohm
Synchronization	Internal, line lock or genlock selectable
Electronic Shutter	Auto (1/60 (1/50) to 1/500000), fixed, flickerless, default
Sensitivity Up	Off, automatic continuous up to 10x
Auto Black	On, off selectable
Range	32x dynamic range enhancement
Noise Reduction	Auto, off selectable
Contour	Sharpness enhancement level selectable
BLC	Off, area and level selectable
Gain	Auto (maximum level selectable to 28 dB) or fixed level selectable
VMD	4 area, sensitivity selectable
Alarm Output	VMD or Bilinx
Alarm Input(TTL)	Profile switching, +5 V nominal, +40 VDC max.
Alarm Output Relay	max. 30 VAC or +40 VDC, max. 0.5 A continuous, 10 VA
External Synchronal Input	75 ohm or high impedance selectable
Cable Compensation	Up to 1000 m (3000 ft) coax without external amplifiers (automatic set-up in combination with coaxial communication)
Camera ID	16 character editable string, position selectable
Lens Types	Manual, DC- and Video-Iris auto-detect with override DC-iris drive: max 50 mA continuous Video-iris: 11.5 ± 0.5 VDC, max 50 mA continuous
Remote Control	Bi-directional coaxial communication

1) F/1.2, 89% reflection, SenseUp off

## Mechanical

Dimensions (H x W x L)	59 x 67 x 122 mm (2.28 x 2.6 x 4.8 inch) without lens
Weight	450 g (0.99 lbs) without lens
Tripod Mount	Bottom (isolated) and top 1/4-inch 20 UNC
Lens Mount	C and CS
Controls	OSD with softkey operation

## Environmental

Operating Temperature	-20°C to +50°C (-4°F to +122°F)
Storage Temperature	-25°C to +70°C (-13°F to +158°F)
Operating Humidity	20% to 93% RH
Storage Humidity	up to 98% RH

## Ordering Information

### LTC 0385/10 DinionXF Monochrome Camera

1/3-inch B/W high performance CCIR, DSP, 570 TVL, 12-28 VAC/11-39 VDC, 50 Hz  
Order number **LTC0385/10**

### LTC 0385/20 DinionXF Monochrome Camera

1/3-inch B/W high performance EIA, DSP, 570 TVL, 12-28 VAC/11-39 VDC, 60 Hz  
Order number **LTC0385/20**

### LTC 0385/50 DinionXF Monochrome Camera

1/3-inch B/W high performance CCIR, DSP, 570 TVL, 85-265 VAC, 50 Hz  
Order number **LTC0385/50**

### LTC 0385/60 DinionXF Monochrome Camera

1/3-inch B/W high performance EIA, DSP, 570 TVL, 85-265 VAC, 60 Hz  
Order number **LTC0385/60**

## Accessories

### LTC 3364/21 Varifocal Lens IR corrected

1/3-inch, 2.8 – 6 mm, DC-iris, CS-mount F1.4-200, 4-pin  
Order number **LTC3364/21**

### LTC 3364/31 Varifocal Lens

1/3-inch, 3.5 – 8 mm, DC-iris, CS-mount F/1.4-200, 4-pin  
Order number **LTC3364/31**

### LTC 3364/60 Varifocal Lens

1/3-inch, 3.5 – 8 mm, DC-iris, CS-mount F1.4-360, 4-pin  
Order number **LTC3364/60**

### LTC 3384/21 Zoom Lens

1/3-inch, 6 – 60 mm, DC-iris, CS-mount F1.4-360, 4-pin  
Order number **LTC3384/21**

**TC120PS Power Supply Unit**

110-120 VAC/15 VDC, 50/60 Hz, 300 mA

Order number **TC120PS**

---

**TC220PS Power Supply Unit**

230 VAC/12 VDC, 50 Hz, 10 VA

Order number **TC220PS**

---

**TC220PSX-24 Power Supply Unit**

230 VAC/20 VAC, 50 Hz, 20 VA

Order number **TC220PSX-24**

---

**TC1334 Power Supply Unit**

120 VAC/24 VAC, 60 Hz, 30 VA

Order number **TC1334**

---

**Software Options**

**VP-CFGSFT Configuration Software**

for cameras using Bilinx, includes VP-USB Adaptor

Order number **VP-CFGSFT**

---

**Represented by:**

**Americas:**

Bosch Security Systems, Inc.  
130 Perinton Parkway  
Fairport, New York, 14450, USA  
Phone: +1 800 289 0096  
Fax: +1 585 223 9180  
security.sales@us.bosch.com  
www.boschsecurity.us

**Europe, Middle East, Africa:**

Bosch Security Systems B.V.  
P.O. Box 80002  
5617 BA Eindhoven, The Netherlands  
Phone: + 31 40 2577 284  
Fax: +31 40 2577 330  
emea.securitysystems@bosch.com  
www.boschsecurity.com

**Asia-Pacific:**

Robert Bosch (SEA) Pte Ltd, Security  
Systems  
11 Bishan Street 21  
Singapore 573943  
Phone: +65 6571 2808  
Fax: +65 6571 2699  
apr.securitysystems@bosch.com  
www.boschsecurity.asia

**China:**

Bosch (Shanghai) Security Systems Ltd.  
201 Building, No. 333 Fuquan Road  
North IBP  
Changning District, Shanghai  
200335 China  
Phone +86 21 22181111  
Fax: +86 21 22182398  
www.boschsecurity.com.cn

**America Latina:**

Robert Bosch Ltda Security Systems Division  
Via Anhanguera, Km 98  
CEP 13065-900  
Campinas, Sao Paulo, Brazil  
Phone: +55 19 2103 2860  
Fax: +55 19 2103 2862  
al.securitysystems@bosch.com  
www.boschsecurity.com

## Free Manuals Download Website

<http://myh66.com>

<http://usermanuals.us>

<http://www.somanuals.com>

<http://www.4manuals.cc>

<http://www.manual-lib.com>

<http://www.404manual.com>

<http://www.luxmanual.com>

<http://aubethermostatmanual.com>

Golf course search by state

<http://golfingnear.com>

Email search by domain

<http://emailbydomain.com>

Auto manuals search

<http://auto.somanuals.com>

TV manuals search

<http://tv.somanuals.com>