

en Operating instructions
pl Instrukcja obsługi
de Gebrauchsanleitung

KG36Y22
KG36Y42



BOSCH

en Contents

Information concerning disposal	3	Storing food in the appliance	9
Safety and warning information	3	Features	9
Installation	5	Freezing and storing food	10
Changing over the door hinges	5	Freezing fresh food	10
Aligning the appliance	5	Super	11
Getting to know your appliance	6	Max. freezing capacity	11
Fascia	6	Thawing frozen food	11
Observe ambient temperature and ventilation	7	Tips for saving energy	12
Connecting the appliance	7	Operating noises	12
Switching on the appliance	8	Eliminating minor faults yourself	13
Selecting the temperature	8	Customer service	14

pl Spis treści

Wskazówki dotyczące usuwania starego urządzenia i opakowania	15	Wyposażenie	22
Wskazówki bezpieczeństwa i ostrzeżenia	16	Zamrażanie produktów spożywczych i przechowywanie mrożonek	23
Miejsce ustawienia	18	Zamrażanie świeżych produktów spożywczych	24
Zmiana zawiasów drzwi urządzenia	18	Zamrażanie super	25
Ustawienie	18	Maksymalna wydajność zamrażania	25
Opis urządzenia	19	Rozmrażanie mrożonek	25
Panel obsługi	19	Wyłączanie urządzenia i wyłączenie na dłuższy czas	26
Zwracać uwagę na temperaturę pomieszczenia i dopływ powietrza	20	Czyszczenie urządzenia	26
Podłączenie urządzenia	20	Oszczędność energii	27
Włączanie urządzenia	21	Odgłosy pracy urządzenia	27
Nastawianie temperatury	21	Sami usuwamy drobne usterki	28
Rozmieszczanie produktów spożywczych	22	Serwis	29

de Inhaltsverzeichnis

Hinweise zur Entsorgung	30	Lebensmittel einordnen	35
Sicherheits- und Warnhinweise	30	Ausstattung	36
Aufstellen	32	Gefrieren und Lagern	36
Gerät ausrichten	32	Frische Lebensmittel einfrieren	37
Wechsel des Türanschlages	32	Supergefrieren	37
Gerät kennenlernen	32	Max. Gefriervermögen	37
Bedienblende	33	Gefriergut auftauen	38
Raumtemperatur und Belüftung beachten	33	Energie sparen	38
Gerät anschließen	34	Betriebsgeräusche	39
Gerät einschalten	34	Kleine Störungen selbst beheben	39
Temperatur einstellen	35	Kundendienst	41

Information concerning disposal


Disposal of packaging

The packaging protects your appliance from damage during transit. All packaging materials are environmentally friendly and recyclable. Please contribute to a better environment by disposing of packaging materials in an environmentally-friendly manner.

Please ask your dealer or inquire at your local authority about current means of disposal.

Disposal of your old appliance

Old appliances are not worthless rubbish! Valuable raw materials can be reclaimed by recycling old appliances.

 This appliance has been identified in accordance with the European directive 2002/96/EG on Waste Electrical and Electronic Equipment – (WEEE).

The directive specifies the framework for an EU-wide valid return and recycling of old appliances.

Warning

Redundant appliances:

1. Pull out the mains plug.
2. Cut off the power cord and discard with the mains plug.

Refrigerators contain refrigerants and the insulation contains gases. Refrigerant and gases must be disposed of properly. Ensure that tubing of the refrigerant circuit is not damaged prior to proper disposal.

Safety and warning information

Before you switch ON the appliance

Please read the operating and installation instructions carefully.

They contain important information on how to install, use and maintain the appliance.

Keep all documentation for subsequent use or for the next owner.

Technical safety

- This appliance contains a small quantity of environmentally-friendly but flammable R600a refrigerant. Ensure that the tubing of the refrigerant circuit is not damaged during transportation and installation. Leaking refrigerant may cause eye injuries or ignite.

If damage has occurred

- Keep naked flames and/or ignition sources away from the appliance.
- Thoroughly ventilate the room for several minutes.
- Switch off the appliance and pull out the mains plug or switch off the fuse.
- Notify customer service.

The more refrigerant an appliance contains, the larger the room must be. Leaking refrigerant can form a flammable gas-air mixture in rooms which are too small.

The room must be at least 1 m³ per 8 g of refrigerant. The amount of refrigerant in your appliance is indicated on the rating plate inside the appliance.

900059069

9004/001D

en

- Only customer service may change the power cord and carry out any other repairs. Improper installations and repairs may put the user at considerable risk.

Important information when using the appliance

- Never use electrical appliances inside the appliance (e. g. heaters, electric ice makers, etc.). **Risk of explosion!**
- Never use a steam cleaner to defrost or clean the appliance. The steam may penetrate electrical parts and cause a short-circuit.
Risk of electric shock!
- Do not use pointed or sharp-edged implements to remove frost or layers of ice.
You could damage the refrigerant tubing. Leaking refrigerant may ignite or cause eye injuries.
- Do not store products which contain flammable propellants (e. g. spray cans) or explosive substances in the appliance. **Explosion hazard!**
- Do not stand or support yourself on the base, drawers or doors, etc.
- Before defrosting or cleaning the appliance, switch off the appliance, pull out the mains plug or switch off the fuse.
Pull on the mains plug, not on the power cord.
- Bottles which contain a high percentage of alcohol must be sealed and stored in an upright position.
- Keep plastic parts and the door seal free of oil and grease. Otherwise, parts and door seal will become porous.
- Never cover or block the ventilation openings for the appliance.

- People who have limited physical, sensory or mental abilities or inadequate knowledge must not use this appliance unless they are supervised or given meticulous instructions.

Children in the household

- Keep children away from packaging and its parts. Danger of suffocation from folding cartons and plastic film!
- Do not allow children to play with the appliance!
- If the appliance features a lock, keep the key out of the reach of children.

General requirements

The appliance is suitable

- for refrigerating and freezing food,
- for making ice.

The appliance is designed for domestic use.

The appliance has been interference-suppressed in compliance with EU Directive 89/336/EEC.

The refrigerant circuit has been tested for leaks.

This product complies with the relevant safety regulations for electrical appliances (EN 60335/2/24).

Installation

Install the appliance in a dry, well ventilated room. The installation location should neither be exposed to direct sunlight nor near a heat source, e.g. a cooker, radiator, etc. If installation next to a heat source is unavoidable, use a suitable insulating plate or observe the following minimum distances to a heat source:

- 3 cm to an electric cooker.
- 30 cm to an oil or solid-fuel cooker.

Appliances with fitted handles must be situated at least 55 mm from the wall on the hinge side so that the door can be opened by 90°.

Changing over the door hinges

We recommend that you have the door hinges changed over by our customer service.

Before you start the conversion work, pull out the mains plug or remove the fuse.

Attention! Carefully place the appliance on its back.

Installation in numerical sequence. **Fig. 12**

Aligning the appliance

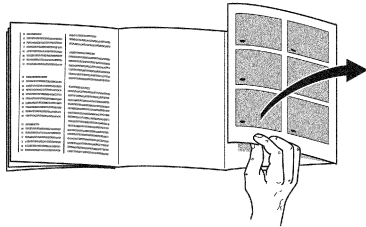
Fig. 11

Place the appliance in the designated location and align.

Adjust the height-adjustable feet with a wrench.

en

Getting to know your appliance



Please fold out the illustrated last page. These operating instructions refer to several models.

The illustrations may differ.

Example of features

Fig. 1

(* not all models)

1–4 Fascia

- 5 Temperature selector refrigerator compartment
- 6 Light switch
- 7 Interior light
- 8 Chiller compartment
- 9 Shelf in the refrigerator compartment
- 10 Can holder
- 11 Bottle holder
- 12 Vent opening
- 13 Fruit and vegetable container
- 14 Freezer drawer
- 15 Freezer shelf

- 16 Height-adjustable feet
- 17 Shelf with flap
- 18 Egg rack
- 19 Shelf for small parts
- 20 Shelf for small bottles
- 21 Shelf for large bottles
- 22 Ice blocks/Frozen-food calendar

A Refrigerator compartment

B Freezer compartment

Fascia

Fig. 1

1 On/Off-button

2 Temperature selection button – freezer compartment

Can be selected from -16°C to -24°C .

Press the button until the required temperature lamp illuminates. The value last selected is stored.

3 Temperature display lamp – freezer compartment

The numbers next to the temperature display lights indicate the temperatures in $^{\circ}\text{C}$.

The lit lamp indicates the selected temperature.

4 Super freezing button

Switches super freezing on and off.

When the light is on, super freezing has started.

Observe ambient temperature and ventilation

The climatic class can be found on the rating plate and indicates the ambient temperatures at which the appliance can be operated.

Climatic class	Permitted ambient temperature
SN	+10 °C to 32 °C
N	+16 °C to 32 °C
ST	+16 °C to 38 °C
T	+16 °C to 43 °C

Ventilation

Fig. 2

The air on the rear panel of the appliance heats up. The warm air must be able to escape. Otherwise, the refrigerator must work harder. This will increase the power consumption. Therefore: Never cover or block ventilation openings!

Connecting the appliance

After installing the appliance, wait at least ½ hour before switching on the appliance. During transportation the oil in the compressor may have flowed into the refrigeration system.

Before switching on the appliance for the first time, clean the interior (see Cleaning).

The socket should be freely accessible.

Connect the appliance to 220–240 V/ 50 Hz alternating current via a correctly installed earthed socket. The socket must be fused with a 10 – 16 A fuse.

If the appliance is to be operated in a non-European country, check on the rating plate whether the indicated voltage and current type correspond to the values of your mains supply. The rating plate is situated in the bottom left-hand side of the appliance. The power cord may be replaced by an electrician only.

Warning!

Never connect the appliance to electronic energy saver plugs or to power inverters which convert the direct current to 230 V alternating current (e.g. solar equipment, power supplies on ships).

en

Switching on the appliance

Press the On/Off button. **Fig. 1/1**
The appliance starts refrigerating.

Interior light in refrigerator compartment is switched on when the door is open.

The appliance left the factory with the following standard setting:

Refrigerator compartment: approx. +4 °C

Freezer compartment: -18 °C

Operating tips

- The fully automatic NoFrost system ensures that the freezer compartment and the refrigerator compartment remain free of ice. Defrosting is no longer required.
- The sides of the housing are sometimes heated slightly. This prevents condensation in the area of the door seal.
- The appliance doors have two different opening angles.
When opening one door, the other door may move slightly. This is quite normal and can be ignored.
- If you cannot open the freezer compartment door immediately after closing it, wait 2–3 minutes until the partial vacuum has equalised.

Selecting the temperature

Refrigerator compartment

Rotate temperature selector, **Fig. 1/5**, to a setting.

A higher setting lowers the temperature in the refrigerator compartment.

We recommend:

- for long-term storage of food: **medium** controller setting
- select a **higher** controller setting set a high controller setting only temporarily if: door is opened frequently, large amounts of food are placed in the refrigerator compartment.

We recommend storing perishable foods at a temperature not warmer than +4 °C.

A temperature of about +4 °C is reached when the control is set to a centre position.

Freezer compartment

The set values can be changed, see Description of control panel.

Storing food in the appliance

When storing food, comply with the following:

- Wrap or cover food before placing in the appliance. This will retain the aroma, colour and freshness of the food. Transfer of flavour and discoloration of the plastic parts will also be prevented.
- Allow warm food and drinks to cool down before placing in the appliance!
- Do not block air vents in the refrigerator compartment with food products to avoid hindering air circulation.

Food products that are stored directly in front of the air vents are liable to freeze due to the cold air flowing out of the vents.

We recommend arranging the food as follows:

- **In the freezer compartment:** Frozen food, ice cubes, ice cream
- **On the shelves** in the refrigerator compartment (from top to bottom): cakes and pastries, ready meals, dairy products, meat and sausage
- **In the vegetable container:** vegetables, salad, fruit
- In the **door** (from top to bottom): butter, cheese, eggs, tubes, small bottles, large bottles, milk, juice cartons

Features

not all models

Chiller compartment

Fig. 6

Temperatures in the chiller compartment are lower than in the refrigerator compartment. Temperatures can also be below 0 °C. Ideal for storing fish, meat and sausage products.

Not suitable for salads and vegetables and products sensitive to cold.

Note:

The chiller compartment functions only when the tray on the left is located below the top glass shelf (delivery condition). At other positions, the temperatures in the tray are the same as in the rest of the fridge.

Bottle shelf

Fig. 8/ Fig. 5

Bottles can be stored securely on the bottle shelf. The holder can be adjusted.

Freezer calendar

Fig. 7

The figures next to the symbols indicate the permitted storage period of the produce in months. When purchasing frozen produce, observe the date of manufacture or sell-by date.

en

*Ice block

Fig. 7

If a power failure or malfunction occurs, the ice blocks can be used to slow down the thawing process. The longest storage time is obtained by placing the ice block directly on the food in the top compartment.

To save space, the ice block can be stored in the door compartment.

The ice blocks can also be used to cool food temporarily, e.g. in a cold bag.

Freezing and storing food

Purchasing deep-frozen food

Packaging must not be damaged.

Use by the "best-before" date.

Temperature in the supermarket freezer –18 °C or lower.

If possible, transport deep-frozen food in an insulated bag and place quickly in the freezer compartment.

Storing food in the appliance

Preferably freeze large quantities of food in the top compartments where freezing is particular quick and therefore also gentle. Place the food over the whole area of the compartments or the freezer drawers. Food which is already frozen must not come into contact with the food which is to be frozen. If required, move the frozen food to the freezer drawers.

Storing frozen food

- To ensure good air circulation in the appliance, insert the freezer drawers all the way.
- If large quantities of food are to be stored in the freezer, all the freezer drawers (except the bottom one) can be taken out of the appliance and the food stacked directly on the freezer shelves. To remove a freezer drawer, pull out all the way, lift at the front and remove.

Making ice cubes

Fill the ice tray $\frac{3}{4}$ full of water and place in the bottom of the freezer compartment. If the ice tray is stuck to the freezer compartment, loosen with a blunt implement only (spoon-handle).

To loosen the ice cubes, twist the ice tray slightly or hold briefly under flowing water.

Freezing fresh food

Freezing food yourself

If you are freezing food yourself, use only fresh, undamaged food.

The following foods are suitable for freezing:

Meat and sausage products, poultry and game, fish, vegetables, herbs, fruit, cakes and pastries, pizza, ready meals, leftovers, egg yolk and egg-white.

The following foods are not suitable for freezing:

Eggs in shells, soured cream and mayonnaise, green salads, radishes and onions.

Blanching vegetables and fruit

To retain colour, flavour, aroma and vitamin C, vegetables and fruits should be blanched prior to freezing. Blanching is the brief immersion of vegetables and fruit in boiling water. Literature on freezing and blanching is available in bookshops.

Super

If there is already food in the freezer compartment, switch on "Super freeze" several hours before placing fresh produce in the freezer compartment. As a rule, 4–6 hours is adequate.

If max. freezing capacity is to be utilised, 24 hours are required. Smaller quantities of food (up to 2 kg) can be frozen without "Super freeze".

To switch on, press the fast freezing button. **Fig. 1/4**

"Super freeze" switches off automatically after 2½ days at the latest.

Max. freezing capacity

In order to retain the vitamins, nutritional value, appearance and flavour food should be frozen as quickly as possible. Do not exceed the max. freezing capacity. freeze the food as quickly as possible. Do not exceed the max. freezing capacity of your appliance.

Freezing capacity

Information about the max. freezing capacity within 24 hours can be found on the rating plate.

Thawing frozen food

Depending on the type of food and intended use, frozen produce can be thawed as follows:

- at room temperature,
- in the refrigerator,
- in an electric oven, with/without fan assisted hot-air,
- in the microwave.

Note

Do NOT refreeze food which is beginning to thaw or which has already thawed. It can only be refrozen when it has been used to prepare a ready meal (boiled or fried).

No longer store the frozen produce for the max. storage period.

Switching off and disconnecting the appliance

Switching off the appliance

Press the On/Off button. **Fig. 1/1**

Disconnecting the appliance

If the appliance is not used for a prolonged period:

1. Pull out the mains plug.
2. Clean the appliance.
3. Leave the appliance doors open.

en

Cleaning the appliance

- Pull out the mains plug or remove the fuse.
- Take out the frozen food and store in a cool location. Place the ice block (if enclosed) on the food.
- Clean the appliance with lukewarm water and a little washing-up liquid.

Attention

Clean the door seal with water only and then dry thoroughly.

Water used for cleaning must not drip into the control panel.

Do not use abrasive or acidic cleaning agents and solvents.

Tips for saving energy

- Install the appliance in a cool, well ventilated room, but not in direct sunlight and not near a heat source (radiator, cooker, etc.). Otherwise, use an insulating plate.
- Allow warm food and drinks to cool down outside the appliance.
- When thawing frozen food, place it in the refrigerator compartment. The low temperature of the frozen food will then cool the food in the refrigerator compartment.
- Open the appliance door as briefly as possible.
- Occasionally clean the rear of the appliance with a vacuum cleaner or paint brush to prevent an increased power consumption.

- Observe required distance of 60 mm to the back wall. The heated air can then escape without obstruction. But that distance should not be more than 75 mm.

Operating noises

Normal noises

Humming – refrigerating unit is running.

Bubbling, gurgling or whirring noises – refrigerant is flowing through the tubing.

Clicking – motor is switching on or off.

Clicking – automatic defrost switching on.

Noises which can be easily rectified

The appliance is not level

Please align the appliance with a spirit level. Use the height-adjustable feet or place something under the feet.

The appliance is touching adjacent units or appliances

Please move the appliance away from adjacent units or appliances.

Drawers, baskets or storage areas are loose or sticking

Please check the removable parts and, if required, reinsert them.

Receptacles are touching each other

Please move bottles or receptacles away from each other.

Eliminating minor faults yourself

Before you call customer service:

Please check whether you can eliminate the fault yourself based on the following information.

Customer service will charge you for advice, even if the appliance is still under guarantee!

Fault	Possible cause	Remedial action
Light does not function.	The bulb is defective.	Change the bulb. Fig. 3 <ol style="list-style-type: none"> 1. Pull out the mains plug or disconnect the fuse. 2. Change the bulb (replacement bulb max. 15 W, 220–240 V, ac, E14 lampholder).
	Light switch is sticking. Fig. 1/6	Check whether it can be moved.
The temperature in the refrigerator compartment is too cold.	Colder freezer compartment temperatures can also give rise to colder fridge compartment temperatures. This is quite normal.	Increase the refrigerator compartment temperature slightly. If this is insufficient, e.g. at excessively cold ambient temperatures, also increase the freezer compartment temperature.
Displays do not illuminate.	Power failure; the fuse has been switched off; the mains plug has not been inserted properly.	Check whether the power is on, the fuse must be switched on.
The temperature in the freezer compartment became too warm.	• Freezer compartment door is open.	Close the door.
	• The ventilation openings are blocked.	Ensure that there is adequate ventilation.
	• Too much food was placed in the freezer compartment at once.	Do not exceed max. freezing capacity.

en

Fault	Possible cause	Remedial action
Freezer compartment door was open for a long time; temperature is no longer reached.	The evaporator (refrigeration generator) in the NoFrost system is covered in thick ice and can no longer be defrosted fully automatically.	<p>To defrost the evaporator, remove the frozen food with the compartments, insulate well and store in a cool location.</p> <p>Switch off the appliance and move it away from the wall. Leave the appliance door open</p> <p>After approx. 20 min. the condensation begins to run into the evaporation pan at the rear of the appliance. To prevent the evaporation pan from overflowing in this case, mop up the condensation with a sponge.</p> <p>The evaporator is defrosted when the water stops running into the evaporation pan. Clean the interior. Switch the appliance back on again.</p>

Customer service

Your local customer service can be found in the telephone directory or in the customer-service index. Please provide customer service with the appliance product number (E-Nr.) and production number (FD).

This information can be found on the product label. **Fig. 10**

To prevent unnecessary call-outs, please assist customer service by quoting the product and production numbers. This will save you additional costs.

Wskazówki dotyczące usuwania starego urządzenia i opakowania


Usuwanie opakowania

Opakowanie chroni urządzenie przed uszkodzeniem w czasie transportu. Materiały zastosowane na opakowanie urządzenia są nieszkodliwe dla środowiska i nadają się do przeróbki wtórnej. Proszę pomóżcie nam Państwo: proszę usunąć opakowanie w sposób zgodny z zasadami ochrony środowiska lub oddać do przeróbki wtórnej.

Aktualne informacje dotyczące usuwania odpadów można uzyskać w punkcie zakupu urządzenia, albo w urzędzie miasta lub gminy.

Usuwanie starego urządzenia

Stare urządzenia nie są bezwartościowym odpadem! Poprzez przeróbkę wtórną można odzyskać cenne surowce.

 Niniejsze urządzenie oznaczone jest zgodnie z europejskimi przepisami 2002/96/EG o zużytych urządzeniach elektrycznych i elektronicznych (waste electrical and electronic equipment – WEEE). Przepisy te wytyczają ramowe warunki zwrotu i recyklingu zużytych urządzeń ważne w całej Unii Europejskiej.

Ostrzeżenie

Stare urządzenie uczynić niezdadnym do użycia

1. Wyjąć wtyczkę z gniazdka sieciowego.
2. Odciąć elektryczny przewód zasilający i usunąć wraz z wtyczką.

Urządzenia chłodzące zawierają media chłodzące i gazy izolacyjne. Media chłodzące i gazy izolacyjne muszą być usunięte fachowo, zgodnie z zasadami ochrony środowiska. Proszę zwracać uwagę, aby nie uszkodzić przewodów rurowych urządzenia chłodzącego, aż do oddania go w odpowiednim punkcie zbioru zapewniającym usunięcie w sposób zgodny z przepisami o ochronie środowiska.

Wskazówki bezpieczeństwa i ostrzeżenia

Przed włączeniem urządzenia

Proszę przeczytać starannie informacje podane w instrukcji użytkownika i montażu!

Zawierają one ważne wskazówki dotyczące ustawienia i podłączenia, użytkownika, przeglądu i konserwacji urządzenia.

Proszę przechować instrukcję i wszystkie dokumenty do dalszego zastosowania lub dla ewentualnego kolejnego użytkownika urządzenia.

Bezpieczeństwo techniczne

- Urządzenie zawiera małe ilości środka chłodzącego R600a, który jest nieszkodliwy dla środowiska, ale palny. Zważyć, aby podczas transportowania i montażu nie doszło do uszkodzenia rur obiegu czynnika chłodniczego. Pyskający środek chłodzący może spowodować zranienie oczu, albo się zapalić.

W przypadku uszkodzenia

- otwarty ogień i źródła zapalonych trzymać z dala od urządzenia,
- pomieszczenie, w którym stoi urządzenie przewietrzyć kilka minut,
- wyłączyć urządzenie, wyjąć wtyczkę z gniazdka sieciowego lub wyłączyć bezpiecznik,
- zawiadomić autoryzowany serwis.

Im więcej medium chłodzącego zawiera urządzenie, tym większe musi być pomieszczenie, w którym stoi urządzenie. W zbyt małym pomieszczeniu, w przypadku przecieku może powstać zapalna mieszanina gazu z powietrzem.

Kubatura pomieszczenia musi być taka, aby na każde 8 g czynnika chłodniczego przypadało przynajmniej 1 m³ przestrzeni. Ilość medium chłodzącego, którą zawiera urządzenie podana jest na tabliczce znamionowej we wnętrzu urządzenia.

- Wymiany elektrycznego przewodu zasilającego i inne naprawy urządzenia może przeprowadzić tylko specjalista autoryzowanego punktu serwisowego. Niewłaściwie przeprowadzony montaż lub naprawa może spowodować poważne niebezpieczeństwo zagrażające użytkownikowi.

W czasie użytkowania

- We wnętrzu urządzenia nie wolno używać żadnych innych urządzeń elektrycznych (np. grzejników, elektrycznych maszynek do robienia lodów itp.).

Niebezpieczeństwo wybuchu!

- Do czyszczenia i rozmrażania nie stosować nigdy urządzeń czyszczących strumieniem pary! Para może osadzać się na elementach przewodzących prąd i spowodować zwarcie.

Niebezpieczeństwo porażenia prądem!

- Do usuwania warstwy szronu lub lodu nie wolno używać żadnych szpiczastych ani ostrych przedmiotów. W ten sposób można uszkodzić rurki medium chłodzącego. Pyskające medium chłodzące może się zapalić lub spowodować zranienie oczu.
- W urządzeniu nie wolno przechowywać żadnych produktów, które zawierają palne gazy aerozolowe (np. dozowniki spray) ani materiałów wybuchowych.
Niebezpieczeństwo wybuchu!
- Nie stawać na cokole, wysuwanych szufladach i półkach, ani na drzwiczkach urządzenia, nie używać ich jako podpórki.
- Przed przystąpieniem do rozmrażania lub czyszczenia należy najpierw wyłączyć urządzenie, a następnie wyjąć wtyczkę z gniazdka sieciowego lub wyłączyć bezpiecznik. Proszę chwycić wtyczkę, a nie ciągnąć za przewód zasilający.
- Wysokoprocentowe alkohole przechowywać tylko w szczelnie zamkniętych butelkach, na stojąco.
- Elementów z tworzywa sztucznego i uszczelki drzwiczek nie zabrudzić olejem ani tłuszczem. W przeciwnym przypadku elementy z tworzywa sztucznego i uszczelki staną się porowate.
- Nie zasłaniać ani nie zastawiać otworów wlotu i wylotu powietrza.
- Osoby o ograniczonych zdolnościach fizycznych, dotykowych, psychicznych, lub niedostatecznej wiedzy mogą stosować niniejsze urządzenie tylko pod nadzorem, albo po dokładnym pouczeniu.

Dzieci w gospodarstwie domowym

- Opakowania ani jego części nie pozostawiać dzieciom do zabawy. Niebezpieczeństwo uduszenia składanym kartonem i folią!
- Nie zezwalać dzieciom na zabawę urządzeniem!
- Przy urządzeniach wyposażonych w zamek drzwiowy: klucz przechowywać w miejscach niedostępnych dla dzieci!

Przepisy ogólne

Urządzenie przeznaczone jest

- do chłodzenia i zamrażania produktów spożywczych,
- do przygotowania lodu.

Urządzenie przeznaczone jest tylko do użytku w gospodarstwie domowym.

Urządzenie nie powoduje zakłóceń fal radiowych zgodnie z normą Unii Europejskiej 89/336/EEC.

Obieg medium chłodzącego jest sprawdzony na szczelność.

Urządzenie to spełnia warunki przepisów bezpieczeństwa dla urządzeń elektrycznych (EN 60335/2/24).

Miejsce ustawienia

Urządzenie ustawić w suchym, przewietrzanym pomieszczeniu. Nie ustawiać bezpośrednio na słońcu ani w pobliżu źródeł ciepła, jak kuchenka, kaloryfery itp. Jeżeli nie da się uniknąć ustawienia w pobliżu źródła ciepła, należy zastosować odpowiednie płyty izolacyjne lub zachować następujące odległości minimalne:

Do kuchenki elektrycznej:	3 cm.
Do pieca olejowego lub węglowego:	30 cm.

Urządzenia z nakładanymi uchwytami muszą być odsunięte od bocznej ściany co najmniej 55 mm, aby umożliwić otwarcie drzwi na szerokość 90°.

Zmiana zawiasów drzwi urządzenia

Zmianę zawiasów drzwi proszę zlecić do wykonania w naszym autoryzowanym punkcie serwisowym.

Przed przystąpieniem do zmiany wyjąć wtyczkę z gniazdka sieciowego lub wyłączyć bezpiecznik.

Uwaga! Urządzenie położyć ostrożnie na tylną ściankę.

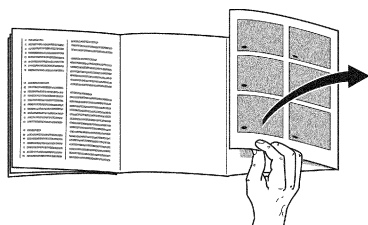
Montaż przeprowadzić w kolejności podanej liczbami. **Rysunek 12**

Ustawienie

Rysunek 11

Urządzenie ustawić na odpowiednim miejscu i wypoziomować. Odkręcane nóżki ustawić za pomocą klucza do śrub.

Opis urządzenia



Proszę otworzyć ostatnią składaną kartkę z rysunkami. Niniejsza instrukcja obsługi odnosi się do wielu modeli.

Odchylenia od wyposażenia i szczegółów przedstawionych na rysunkach są możliwe.

Przykład wyposażenia

Rysunek 1

(* nie dla wszystkich modeli)

- 1-4 Panel obsługi
- 5 Regulator temperatury komory chłodzenia
- 6 Wyłącznik oświetlenia
- 7 Oświetlenie wewnętrzne
- 8 Szuflada „chiller“
- 9 Półki w komorze chłodzenia
- 10 Uchwyt na puszki
- 11 Uchwyt na butelki
- 12 Otwór wylotu powietrza
- 13 Pojemnik na warzywa i owoce
- 14 Szuflada na mrożonki
- 15 Półka na mrożonki
- 16 Odkręcane nóżki
- 17 Półka z klapą

- 18 Półka z wkładką na jajka
- 19 Półka na produkty w małych opakowaniach
- 20 Półka na małe butelki
- 21 Półka na duże butelki
- 22 Akumulatory zimna/
Kalendarz mrozonek

- A Komora chłodzenia
- B Komora zamrażania

Panel obsługi

Rysunek 1

- 1 Przycisk Włączanie/Wyłączanie
- 2 Przycisk nastawiania temperatury komory zamrażania

Temperaturę komory zamrażania można nastawiać w zakresie od -16°C do -24°C .

Przycisk naciskać tyle razy, aż zapali się odpowiednia lampka wskaźnika temperatury. Ostatnia nastawiona wartość zostanie zapisana w pamięci.

- 3 Lampki wskaźnika temperatury komory zamrażania

Liczby umieszczone obok lampek wskaźnika temperatury oznaczają temperaturę wyrażoną w $^{\circ}\text{C}$. Świecąca się lampka wskazuje nastawioną temperaturę.

- 4 Przycisk zamrażanie super

Służy do włączania i wyłączenia funkcji zamrażanie super.

Włączenie funkcji sygnalizowane jest świeceniem się przycisku.

Zwracać uwagę na temperaturę pomieszczenia i dopływ powietrza

Klasa klimatyczna umieszczona jest na tabliczce znamionowej urządzenia. Podaje ona zakres temperatury w jakiej może być eksploatowane urządzenie.

Klasa klimatyczna	dopuszczalna temperatura
SN	+10 °C do 32 °C
N	+16 °C do 32 °C
ST	+16 °C do 38 °C
T	+16 °C do 43 °C

Dopływ powietrza

Rysunek 2

Powietrze ogrzewa się na tylnej ścianie urządzenia. Ogrzane powietrze musi odpływać bez przeszkód. W przeciwnym przypadku chłodziarka musi pracować intensywniej i zwiększa się zużycie energii elektrycznej.

Dlatego: nie wolno przysłaniać otworów dopływu i odpływu powietrza!

Podłączenie urządzenia

Po ustawieniu urządzenia proszę odczekać co najmniej ½ godziny, a dopiero potem przystąpić do podłączania. W czasie transportu może się zdarzyć, że olej zawarty w parowniku przemieści się do systemu chłodzenia.

Przed pierwszym uruchomieniem należy wymyć wnętrze urządzenia (patrz rozdział „Czyszczenie”).

Gniazdko, do którego podłączymy urządzenie musi być dostępne dla użytkownika.

Urządzenie podłączyć tylko do sieci elektrycznej prądu zmiennego o napięciu 220–240 V/50 Hz poprzez uziemione gniazdko zainstalowane zgodnie z obowiązującymi przepisami. Gniazdko sieciowe musi być zabezpieczone bezpiecznikiem dla prądu 10 do 16 A.

Jeżeli urządzenie ma być eksploatowane w kraju pozaeuropejskim, należy sprawdzić na tabliczce znamionowej, czy podane tam napięcie i rodzaj prądu jest zgodne z parametrami sieci elektrycznej na miejscu instalacji urządzenia. Tabliczka znamionowa znajduje się w urządzeniu po lewej stronie z tyłu. Ewentualną wymianę elektrycznego przewodu zasilającego może przeprowadzić tylko uprawniony specjalista elektryk.

⚠ Ostrzeżenie!

W żadnym wypadku nie wolno podłączać urządzenia do elektronicznych „wtyczek oszczędnościowych“ (np. Ecoboy, Sava Plug) ani przetworników prądu zmiennego, które przetwarzają prąd stały na prąd zmienny 230 V (np. instalacje słoneczne, sieć elektryczna na statkach).

Włączanie urządzenia

Nacisnąć przycisk Włączanie/
Wyłączanie. **Rysunek 1/1**
Urządzenie zaczyna chłodzić.

Oświetlenie wewnętrzne jest włączone,
jeżeli drzwi są otwarte.

Urządzenie ustawione jest fabrycznie
na następujące wartości:

Komory chłodzenia: +4 °C

Komory zamrażania: -18 °C

Wskazówki dotyczące pracy urządzenia

- Dzięki systemowi No Frost-wnętrze komory zamrażania i komory chłodzenia nie pokrywa się lodem. Rozmrażania urządzenia jest zbyteczne.
- Ścianki czołowe urządzenia są częściowo lekko ogrzewane, zapobiega to kondensacji wody w obszarze uszczelek drzwi.
- Drzwiczki urządzenia otwierają się pod dwoma różnymi kątami.
Przy otwarciu jednych drzwi urządzenia może się zdarzyć, że drugie drzwi lekko się poruszają. Jest to uwarunkowane technicznie i nie powinno budzić niepokoju.
- Jeżeli po zamknięciu komory zamrażania drzwi komory nie dadzą się natychmiast ponownie otworzyć, proszę poczekać 2–3 minuty, aż do wyrównania powstałego podciśnienia.

Nastawianie temperatury

Komora chłodzenia

Regulator temperatury, **Rysunek 1/5**,
nastawić na odpowiednią wartość.

Wyższe nastawienie powoduje niższą
temperaturę w komorze chłodzenia.

Zaleca się:

- nastawienie regulatora w pozycji **środkowej** do długoterminowego przechowywania produktów spożywczych,
- nastawienie na **wysoki** zakres stosować tylko przejściowo: przy częstym otwieraniu drzwi urządzenia, albo po włożeniu większej ilości świeżych produktów do komory chłodzenia.

Środki spożywcze, które łatwo się psują zalecamy przechowywać w temperaturze nie wyższej niż +4 °C.

Przy nastawieniu regulatora w pozycji środkowej osiąga się temperaturę ok. +4 °C.

Komora zamrażania

Nastawione wartości można zmienić,
patrz opis do panela obsługi.

Rozmieszczanie produktów spożywczych

Wskazówki dotyczące rozmieszczania produktów spożywczych:

- Produkty spożywcze wkładać dobrze zapakowane lub przykryte. Dzięki temu zachowają one aromat, kolor i świeżość, oraz zapobiega się przeniesieniu zapachów i smaków lub przebarwieniu elementów z tworzywa sztucznego. Poza tym zapobiega to przeniesieniu zapachów i smaków, oraz przebarwieniom elementów z tworzyw sztucznych.
- Gorące potrawy i napoje schłodzić przed włożeniem do chłodziarki.
- Otworów wylotu powietrza w komorze chłodzenia nie zastawiać produktami spożywczymi, aby nie utrudniać swobodnej cyrkulacji powietrza.

Produkty spożywcze składowane w pobliżu otworów wlotu powietrza mogą ulec zamrożeniu pod wpływem strumienia zimnego powietrza.

Zaleca się układać produkty spożywcze w następujący sposób:

- **W komorze zamrażania:** mrożonki, kostki lodu, lody spożywcze
- **Na półkach** w komorze chłodzenia (od góry na dół): pieczywo i ciasto, gotowe potrawy, produkty mleczarskie, ryby i wędlinę
- **W pojemniku na warzywa:** warzywa, sałatę, owoce
- **Na drzwiach** (od góry na dół): masło, ser, jajka, tubki, małe butelki, duże butelki, mleko, torebki i kartoniki z sokiem

Wyposażenie

* nie dla wszystkich modeli

Szuflada „chiller“ *

Rysunek 6

W szufladzie „chiller“ panuje niższa temperatura niż w komorze chłodzenia. Może wystąpić nawet temperatura poniżej 0 °C. Są to optymalne warunki do przechowywania ryb, mięsa i wędliny. Nie nadaje się do przechowywania sałaty i warzyw, oraz produktów wrażliwych na działania zimna.

Wskazówka:

Szuflada „chiller“ spełnia funkcję zimniejszej strefy, ale tylko wtedy, jeżeli umieszczona jest po lewej stronie pod najwyższą półką szklaną (jak w stanie dostawy). Jeżeli szuflada umieszczona jest w innym miejscu, panuje w niej taka sama temperatura, jak w pozostałym obszarze komory chłodzenia.

Półka na butelki

Rysunek 8/Rysunek 5

Na półce na butelki można bezpiecznie przechowywać butelki. Uchwyt jest zmienny.

Kalendarz mrożonek

Rysunek 7

Liczby umieszczone przy symbolach podają dopuszczalny okres przechowywania mrożonki w miesiącach. Dla gotowych mrożonek nabytych w handlu obowiązuje data produkcji lub termin ważności.

Akumulatory zimna *

Rysunek 7

W przypadku przerwy w dopływie prądu lub zakłóceń w pracy urządzenia akumulatory zimna opóźniają ogrzanie przechowywanych mrożonek. Aby uzyskać najdłuższy okres przechowywania należy położyć akumulatory zimna na najwyższej półce bezpośrednio na produktach spożywczych.

Akumulatory zimna można przechowywać również na drzwiczkach komory, aby zaoszczędzić miejsca.

Akumulatory zimna można zastosować również do krótkotrwałego chłodzenia produktów spożywczych np. w przenośnych lodówkach i torbach-chłodziarkach.

Zamrażanie produktów spożywczych i przechowywanie mrożonek

Zakup mrożonek

Proszę zwracać uwagę na opakowanie, aby nie było uszkodzone.

Zwracać uwagę na datę przydatności do spożycia.

Temperatura w zamrażarce sklepowej powinna wynosić -18°C lub niżej.

Mrożonki transportować szybko do domu w izolowanej torbie i natychmiast przełożyć do zamrażalnika.

Rozmieszczanie produktów spożywczych

Większe ilości produktów spożywczych zamrażać najlepiej na najwyższych półkach, tam zamrażają się najszybciej i zachowują najlepiej swoje wartości. Produkty układać płasko i szeroko na półkach lub w szufladach. Zamrożone produkty nie powinny stykać się ze świeżymi produktami spożywczymi przeznaczonymi do zamrożenia. Zamrożone produkty można ułożyć w stosach w szufladach.

pl

Przechowywanie mrożonek

- Aby zapewnić niezakłóconą cyrkulację powietrza w urządzeniu, pojemniki do przechowywania mrożonek należy wsunąć całkowicie, aż do oporu.
- Jeżeli zachodzi konieczność przechowania bardzo dużej ilości produktów spożywczych, można wyjąć wszystkie szuflady, z wyjątkiem położonej najniżej, a produkty spożywcze układać warstwami bezpośrednio na półkach komory zamrażania.
W celu wyjęcia wysunąć szufladę, aż do oporu, unieść z przodu do góry i wyjąć.

Przygotowanie kostek lodu

Pojemnik do przygotowania kostek lodu napełnić wodą do $\frac{3}{4}$ wysokości i postawić na dnie zamrażalnika. Przymarznięte pojemniki uwolnić tylko tępym narzędziem (trzonek łyżki).

W celu wyjęcia kostek lodu przytrzymać pojemnik krótko pod bieżącą wodą lub lekko wygiąć.

Zamrażanie świeżych produktów spożywczych

Sami zamrażamy produkty spożywcze

Do samodzielnego zamrożenia zastosować tylko świeże produkty dobrej jakości.

Do zamrażania nadają się:

Mięso i wędliny, drób i dziczyzna, ryby, warzywa, jarzyny i zioła, owoce, pieczywo i ciasto, pizza, gotowe potrawy, resztki potraw, żółtko i białko jaj.

Do zamrażania nie nadają się:

Całe jaja w skorupkach, kwaśna śmietana i majonez, zielona sałata, rzodkiewki, rzepa i cebula.

Blanżerowanie warzyw i owoców.

Aby zachować kolor, smak, aromat i witaminę C warzywa i owoce najlepiej blanżerować przed zamrożeniem. Blanżerowanie polega na zanurzeniu warzyw i owoców na krótko we wrzącej wodzie.

Literaturę na temat zamrażania, gdzie opisane jest również blanżerowanie można nabyć w księgarniach.

Zamrażanie super

Jeżeli w komorze zamrażania przechowuje się już większą ilość produktów, wtedy na kilka godzin przed włożeniem świeżych produktów spożywczych należy włączyć funkcję zamrażanie super. Na ogół wystarczają 4–6 godzin.

Jeżeli ma być wykorzystana maksymalna wydajność zamrażania, wtedy trzeba włączyć funkcję na 24 godziny. Mniejsze ilości produktów spożywczych (do 2 kg) można zamrozić bez włączania funkcji zamrażanie super.

W celu włączenia nacisnąć przycisk zamrażanie super. **Rysunek 1/4**

Funkcja zamrażanie super wyłącza się automatycznie najpóźniej po upływie 2½ dnia.

Maksymalna wydajność zamrażania

Produkty spożywcze powinny być zamrażane możliwie szybko, aż do samego wnętrza. Tylko wtedy produkty zachowają witaminy, wartości odżywcze, wygląd i smak. Dlatego nie należy przekraczać maksymalnego ładunku określonego wydajnością zamrażania.

Wydajność zamrażania

Maksymalny ładunek, jaki można zamrozić w ciągu 24 godzin podany jest na tabliczce znamionowej.

Rozmrażanie mrożonek

Zależnie od rodzaju mrożonki i jej dalszego zastosowania mamy do wyboru następujące możliwości rozmrażania:

- w temperaturze pokojowej,
- w chłodziarce,
- w piekarniku elektrycznym z/bez wentylatora gorącego powietrza,
- w kuchenke mikrofalowej.

Wskazówka

Lekko rozmrożonych i rozmrożonych produktów nie wolno ponownie zamrozić. Dopiero po przygotowaniu potrawy (ugotować lub upiec) można ponownie zamrozić jako gotowe danie.

Wtedy nie wykorzystywać całkowicie maksymalnego dopuszczalnego okresu przechowywania.

Wyłączanie urządzenia i wyłączenie na dłuższy czas

Wyłączanie urządzenia

Nacisnąć przycisk Włączanie/Wyłączanie. **Rysunek 1/1**

Wyłączanie na dłuższy czas

Jeżeli urządzenie nie będzie używane dłuższy czas:

1. Wyjąć wtyczkę z gniazdka sieciowego.
2. Wymyć i wyczyścić urządzenie.
3. Pozostawić uchylone drzwi.

Czyszczenie urządzenia

- Wyjąć wtyczkę z gniazdka sieciowego lub wyłączyć albo wykręcić bezpiecznik.
- Wyjąć mrożonki i ułożyć w chłodnym miejscu. Akumulatory zimna (jeżeli są) położyć na mrożonkach.
- Urządzenie wymyć letnią wodą z dodatkiem małej ilości płynu do mycia naczyń.

Uwaga

Uszczelkę drzwi wymyć tylko czystą wodą i wytrzeć dokładnie do sucha.

Zwracać uwagę, aby woda nie dostała się na panel obsługi.

Nie wolno stosować żadnych środków czyszczących, które zawierają piasek, kwasy, środki szorujące lub rozpuszczalniki.

Oszczędność energii

- Urządzenie ustawić w suchym, dobrze przewietrzanym pomieszczeniu; chronić przed bezpośrednim działaniem promieni słonecznych i nie ustawiać w pobliżu źródeł ciepła (np. kaloryfery, kuchenka). W przeciwnym przypadku zastosować płytę izolacyjną.
- Gorące potrawy i napoje ochłodzić przed włożeniem do urządzenia.
- Mrożonki przeznaczone do rozmrożenia włożyć do komory chłodzenia. Zimno z mrożonki wykorzystane zostanie do ochłodzenia produktów spożywczych w komorze chłodzenia.
- Drzwi otwierać na możliwie krótki okres czasu.
- Tylną ściankę urządzenia czyścić od czasu do czasu odkurzaczem lub pędzlem, aby zapobiec nadmiernemu zużyciu energii elektrycznej.
- Zachować wymaganą odległość 60mm od tylnej ścianki urządzenia. Dzięki temu ogrzane powietrze może swobodnie się ulotnić. Jednak odległość ta nie może być większa niż 75 mm.

Odgłosy pracy urządzenia

Normalne odgłosy

Brzęczenie – sprężarka pracuje.

Kipienie, bulgotanie lub **szum** – medium chłodzące przepływa w rurkach.

Klik – silnik włącza i wyłącza się.

Trzask – następuje automatyczne rozmrażanie.

Odgłosy, które daje się łatwo usunąć

Urządzenie stoi nierówno

Ustawić urządzenie za pomocą poziomicy. Wykorzystać odkręcane nóżki urządzenia lub podłożyć coś pod nóżki.

Urządzenie jest dostawione

Proszę odsunąć urządzenie od dotykających mebli lub urządzeń.

Szuflady, koszyki i półki kiwają się lub zacinają

Proszę sprawdzić wyjmowane części i ewentualnie włożyć je na nowo.

Naczynia i pojemniki dotykają się

Proszę rozsunąć nieco ustawione w chłodziarce butelki, pojemniki i naczynia.

Sami usuwamy drobne usterki

Przed wezwaniem serwisu:

Proszę sprawdzić, czy możecie Państwo sami usunąć drobne usterki w oparciu o podane niżej wskazówki.

Koszty udzielenia porady przez technika serwisowego ponosi sam użytkownik – także w okresie gwarancji!

Zakłócenie	Możliwa przyczyna	Czynności
Oświetlenie wewnętrzne nie działa.	Żarówka jest zepsuta.	Wymienić żarówkę. Rysunek 3 <ol style="list-style-type: none"> Wyjąć wtyczkę z gniazdka sieciowego lub wyłączyć bezpiecznik. Wymienić żarówkę (żarówka maksymalny 15 W, 220–240 V prąd zmienny, gwint E14).
	Wyłącznik oświetlenia jest zablokowany. Rysunek 1/6	Sprawdzić, czy daje się poruszyć.
W komorze chłodzenia jest za zimno.	Niższa temperatura w komorze zamrażania może spowodować niższą temperaturę w komorze chłodzenia. Jest to uwarunkowane technicznie.	Nastawić wyższą temperaturę komory chłodzenia. Jeżeli to nie wystarczy, np. przy zbyt niskiej temperaturze otoczenia, wtedy nastawić wyższą temperaturę również w komorze zamrażania.
Nie świeci się żaden wskaźnik.	Awaria w dopływie prądu; bezpiecznik zadziałał, wtyczka nie jest prawidłowo włożona do gniazdka.	Sprawdzić, czy jest prąd, bezpiecznik musi być włączony.
W komorze zamrażania jest za ciepło.	<ul style="list-style-type: none"> Drzwiczki komory zamrażania są otwarte. Otwory wentylacyjne są zasłonięte. Włożono na raz za dużą ilość świeżych produktów do zamrożenia. 	<p>Zamknąć drzwi.</p> <p>Otwory wlotu i wylotu powietrza są zasłonięte.</p> <p>Nie przekraczać maksymalnego ładunku określonego wydajnością zamrażania.</p>

Zakłócenie	Możliwa przyczyna	Czynności
Drzwiczki komory zamrażania były zbyt długo otwarte; nie daje się uzyskać właściwej temperatury.	Wyparnik (wytornica zimna) w systemie nofrost jest mocno oblodzony i nie rozmraża się automatycznie.	<p>W celu rozmrożenia wyparnika wyjąć mrozonki razem z szufladami i ułożyć w chłodnym miejscu dobrze izolowane.</p> <p>Wyłączyć urządzenie i odsunąć od ściany. Drzwiczki urządzenia pozostawić otwarte.</p> <p>Po upływie ok. 20 minut skroplona woda zaczyna słuwać do zbiornika na tylnej ścianie urządzenia. Aby zapobiec przelaniu zbiornika, należy zebrać wodę gąbką.</p> <p>Jeżeli woda przestanie słuwać do zbiornika, wyparnik jest rozmrożony. Wymyć wnętrze. Ponownie włączyć urządzenie.</p>

Serwis

Adres i numer telefonu najbliższego punktu serwisowego można znaleźć w książce telefonicznej lub w spisie punktów serwisowych, który dołączony jest do instrukcji. Proszę podać serwisowi numer urządzenia (E-Nr) i numer seryjny (FD).

Numery te znajdują się na tabliczce znamionowej urządzenia. **Rysunek 10**

Poprzez podanie numeru urządzenia i numeru seryjnego zapobiega się niepotrzebnym jazdom. W ten sposób oszczędzicie Państwo związane z tym koszty dodatkowe.

Hinweise zur Entsorgung


Verpackung entsorgen

Die Verpackung schützt Ihr Gerät vor Transportschäden. Alle eingesetzten Materialien sind umweltverträglich und wieder verwertbar. Bitte helfen Sie mit: Entsorgen Sie die Verpackung umweltgerecht.

Über aktuelle Entsorgungswege informieren Sie sich bitte bei Ihrem Fachhändler oder bei der Gemeindeverwaltung.

Altgerät entsorgen

Altgeräte sind kein wertloser Abfall! Durch umweltgerechte Entsorgung können wertvolle Rohstoffe wiedergewonnen werden.

 Dieses Gerät ist entsprechend der europäischen Richtlinie 2002/96/EG über Elektro- und Elektronikaltgeräte (waste electrical and electronic equipment – WEEE) gekennzeichnet. Die Richtlinie gibt den Rahmen für eine EU-weit gültige Rücknahme und Verwertung der Altgeräte vor.

Warnung

Bei ausgedienten Geräten

1. Netzstecker ziehen.
2. Anschlusskabel durchtrennen und mit dem Netzstecker entfernen.

Kältegeräte enthalten Kältemittel und in der Isolierung Gase. Kältemittel und Gase müssen fachgerecht entsorgt werden. Rohre des Kältemittel-Kreislaufes bis zur fachgerechten Entsorgung nicht beschädigen.

Sicherheits- und Warnhinweise

Bevor Sie das Gerät in Betrieb nehmen

Lesen Sie Gebrauchs- und Montageanleitung aufmerksam durch! Sie enthalten wichtige Informationen über Aufstellen, Gebrauch und Wartung des Gerätes.

Bewahren Sie alle Unterlagen für späteren Gebrauch oder für Nachbesitzer auf.

Technische Sicherheit

- Das Gerät enthält in geringer Menge das umweltfreundliche, aber brennbare Kältemittel R600a. Achten Sie darauf, dass die Rohre des Kältemittel-Kreislaufes bei Transport oder Montage nicht beschädigt werden. Herausspritzendes Kältemittel kann zu Augenverletzungen führen oder sich entzünden.

Bei Beschädigung

- Offenes Feuer oder Zündquellen vom Gerät fernhalten,
- Raum für einige Minuten gut durchlüften,
- Gerät ausschalten und Netzstecker ziehen,
- Kundendienst benachrichtigen.

Je mehr Kältemittel in einem Gerät ist, umso größer muss der Raum sein, in dem das Gerät steht. In zu kleinen Räumen kann bei einem Leck ein brennbares Gas-Luft-Gemisch entstehen.

Pro 8 g Kältemittel muss der Raum mindestens 1 m³ groß sein. Die Menge des Kältemittels Ihres Gerätes steht auf dem Typenschild im Inneren des Gerätes.

- Das Wechseln der Netzanschlussleitung und andere Reparaturen dürfen nur vom Kundendienst durchgeführt werden. Unsachgemäße Installationen und Reparaturen können den Benutzer erheblich gefährden.

Beim Gebrauch

- Nie elektrische Geräte innerhalb des Gerätes verwenden (z. B. Heizgeräte, elektrische Eisbereiter usw.).

Explosionsgefahr!

- Nie das Gerät mit einem Dampfreinigungsgesetz abtauen oder reinigen! Der Dampf kann an elektrische Teile gelangen und einen Kurzschluss auslösen.

Stromschlaggefahr!

- Keine spitzen oder scharfkantigen Gegenstände verwenden um Reif- und Eisschichten zu entfernen. Sie könnten damit die Kältemittelrohre beschädigen. Herausspritzendes Kältemittel kann sich entzünden oder zu Augenverletzungen führen.

- Keine Produkte mit brennbaren Treibgasen (z. B. Spraydosen) und keine explosiven Stoffe lagern.

Explosionsgefahr!

- Sockel, Auszüge, Türen usw. nicht als Trittbrett oder zum Abstützen missbrauchen.
- Zum Abtauen und Reinigen Netzstecker ziehen oder Sicherung ausschalten. Am Netzstecker ziehen, nicht am Anschlusskabel.
- Hochprozentigen Alkohol nur dicht verschlossen und stehend lagern.
- Kunststoffteile und Türdichtung nicht mit Öl oder Fett verschmutzen. Kunststoffteile und Türdichtung werden sonst porös.

- Be- und Entlüftungsöffnungen für das Gerät nie abdecken oder zustellen.
- Dieses Gerät ist von Personen mit eingeschränkten physischen, sensorischen oder psychischen Fähigkeiten oder mangelndem Wissen, nur mit Aufsicht oder ausführlicher Anleitung zu benutzen.

Kinder im Haushalt

- Verpackung und deren Teile nicht Kindern überlassen. Erstickungsgefahr durch Faltpapier und Folien!
- Das Gerät ist kein Spielzeug für Kinder!
- Bei Gerät mit Türschloss: Schlüssel außer Reichweite von Kindern aufbewahren!

Allgemeine Bestimmungen

Das Gerät eignet sich

- zum Kühlen und Gefrieren von Lebensmitteln,
- zur Eisbereitung.

Das Gerät ist nur für die Verwendung im Haushalt bestimmt.

Das Gerät ist funktionsstört nach EU-Richtlinie 89/336/EEC.

Der Kältekreislauf ist auf Dichtheit geprüft.

Dieses Erzeugnis entspricht den einschlägigen Sicherheitsbestimmungen für Elektrogeräte (EN 60335/2/24).

de

Aufstellen

Zum Aufstellen eignet sich ein trockener, belüftbarer Raum. Der Aufstellplatz sollte nicht direkter Sonnenbestrahlung ausgesetzt und nicht in der Nähe einer Wärmequelle wie Herd, Heizkörper etc. sein. Wenn das Aufstellen neben einer Wärmequelle unvermeidbar ist, verwenden Sie eine geeignete Isolierplatte oder halten Sie folgende Mindestabstände zur Wärmequelle ein:

Zu Elektroherden 3 cm.

Zu Öl- oder Kohleanstellherden 30 cm.

Geräte mit aufgesetzten Griffen benötigen auf der Anschlagseite mindestens 55 mm Wandabstand, damit die Tür 90° geöffnet werden kann.

Gerät ausrichten

Bild 11

Gerät auf den vorgesehenen Platz stellen und ausrichten.

Zum Verstellen der Schraubfüße einen Schraubenschlüssel verwenden.

Wechsel des Türanschlages

Wir empfehlen den Türanschlag durch unseren Kundendienst wechseln zu lassen.

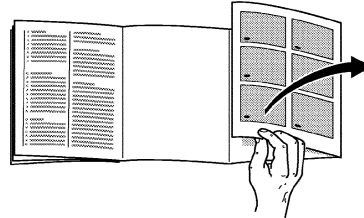
Vor dem Umbau, Netzstecker ziehen oder die Sicherung auslösen.

Achtung! Gerät vorsichtig auf die Rückseite legen.

Montage in Reihenfolge der Zahlen.

Bild 12

Gerät kennenlernen



Bitte klappen Sie die letzte Seite mit den Abbildungen aus.

Diese Gebrauchsanweisung gilt für mehrere Modelle.

Abweichungen bei den Abbildungen sind möglich.

Beispiel für eine Ausstattung

Bild 1

(*nicht bei allen Modellen)

- 1-4 Bedienblende
 - 5 Temperaturwähler Kühlraum
 - 6 Lichtschalter
 - 7 Innenbeleuchtung
 - 8 Kaltlagerfach (Chillerfach)
 - 9 Ablagen im Kühlraum
 - 10 Dosenabsteller
 - 11 Flaschenablage
 - 12 Luftaustrittsöffnung
 - 13 Obst- und Gemüsebehälter
 - 14 Gefriergutschale
 - 15 Gefrierrost
 - 16 Schraubfüße
 - 17 Ablage mit Klappe
 - 18 Ablage für Eier
 - 19 Ablage
 - 20 Ablage für kleine Flaschen
 - 21 Ablage für große Flaschen
 - 22 *Kälteakku/Gefrierkalender
- A Kühlraum
B Gefrierraum

Bedienblende

Bild 1

1 Ein/Aus-Taste

2 Temperatur-Einstelltaste Gefrierraum

Von -16 °C bis ca. -24 °C einstellbar.

Taste so oft drücken, bis gewünschtes Temperatur-Lämpchen leuchtet. Der zuletzt eingestellte Wert wird gespeichert.

3 Temperaturanzeige-Lämpchen Gefrierraum

Die Zahlen bei den Temperaturanzeige-Lämpchen zeigen die Temperatur in °C an. Das leuchtende Lämpchen zeigt die eingestellte Temperatur an.

4 Supergefrieren-Taste

Dient zum Ein- und Ausschalten des Supergefrierens.

Das leuchtende Lämpchen zeigt die Inbetriebnahme an.

Raumtemperatur und Belüftung beachten

Die Klimaklasse steht auf dem Typenschild. Sie gibt an, innerhalb welcher Raumtemperaturen das Gerät betrieben werden kann.

Klimaklasse	zulässige Raumtemperatur
SN	$+10\text{ °C}$ bis 32 °C
N	$+16\text{ °C}$ bis 32 °C
ST	$+16\text{ °C}$ bis 38 °C
T	$+16\text{ °C}$ bis 43 °C

Belüftung

Bild 2

Die Luft an der Rückwand des Geräts erwärmt sich. Die erwärmte Luft muss ungehindert abziehen können. Die Kühlmaschine muss sonst mehr leisten. Dies erhöht den Stromverbrauch. Daher: Nie Be- und Entlüftungsöffnungen abdecken oder zustellen!

Gerät anschließen

Nach dem Aufstellen des Gerätes mind. ½ Stunde warten, bis das Gerät in Betrieb genommen wird. Während des Transports kann es vorkommen, dass sich das im Verdichter enthaltene Öl im Kältesystem verlagert.

Vor der ersten Inbetriebnahme den Innenraum des Gerätes reinigen (siehe Reinigen).

Die Steckdose sollte frei zugänglich sein. Das Gerät an 220–240 V/50 Hz Wechselstrom über eine vorschriftsmäßig installierte Steckdose anschließen. Die Steckdose muss mit einer 10-16 A Sicherung abgesichert sein.

Bei Geräten, die in nicht-europäischen Ländern betrieben werden, ist auf dem Typenschild zu überprüfen, ob die angegebene Spannung und Stromart mit den Werten Ihres Stromnetzes übereinstimmt. Das Typenschild befindet sich im Gerät links unten. Ein eventuell notwendiger Austausch der Netzanschlussleitung darf nur durch einen Fachmann erfolgen.

Warnung!

Auf keinen Fall darf das Gerät an elektronische Energiesparstecker und an Wechselrichter, die Gleichstrom in 230 V Wechselstrom umwandeln, angeschlossen werden (z.B. Solaranlagen, Schiffsstromnetze).

Gerät einschalten

Ein/Aus-Taste **Bild 1/1** drücken. Das Gerät beginnt zu kühlen.

Die Innenraumbeleuchtung im Kühlraum leuchtet bei geöffneter Tür.

Vom Werk aus hat das Gerät eine Grundeinstellung von:

Kühlraum:	+4 °C
Gefrierraum:	–18 °C

Hinweise zum Betrieb

- Durch das vollautomatische Nofrost-System bleibt der Gefrierraum und Kühlraum eisfrei. Ein Abtauen ist nicht mehr notwendig.
- Die Stirnseiten des Gehäuses werden teilweise leicht beheizt, dies verhindert Schwitzwasserbildung im Bereich der Türdichtung.
- Die Gerätetüren haben zwei unterschiedliche Türöffnungswinkel.
Beim Öffnen einer Gerätetür kann es vorkommen, dass die zweite Türe sich etwas bewegt. Das ist technisch bedingt und braucht Sie nicht zu beunruhigen.
- Sollte sich nach dem Schließen des Gefrierraumes die Tür nicht sofort wieder öffnen lassen, warten Sie bitte zwei bis drei Minuten, bis sich der entstandene Unterdruck ausgeglichen hat.

Temperatur einstellen

Kühlraum

Temperatur-Wähler **Bild 1/5** auf eine Einstellung drehen.

Eine größere Einstellung ergibt eine tiefere Temperatur im Kühlraum.

Wir empfehlen:

- für langfristige Lagerung von Lebensmitteln:
mittlere Regler-Einstellung
- eine **große** Regler-Einstellung nur vorübergehend einstellen bei:
Häufigem Tür öffnen, Einlegen großer Mengen Lebensmittel im Kühlraum.

Für empfindliche Lebensmittel empfehlen wir die Lebensmittel nicht wärmer als bei +4 °C zu lagern.

Es werden bei mittlerer Regler-Einstellung ca. +4 °C erreicht.

Gefrierraum

Die Einstellwerte können geändert werden, siehe Beschreibung zur Bedienblende.

Lebensmittel einordnen

Beim Einordnen der Lebensmittel beachten:

- Lebensmittel gut verpackt oder abgedeckt einordnen. Dadurch bleiben Aroma, Farbe und Frische erhalten. Außerdem werden Geschmacksübertragungen und Verfärbungen der Kunststoffteile vermieden.
- Warme Speisen und Getränke erst abkühlen lassen, dann ins Gerät stellen.
- Luftaustritts-Öffnungen im Kühlraum nicht mit Lebensmittel blockieren, um die Luftzirkulation nicht zu beeinträchtigen.

Lebensmittel, die unmittelbar vor den Luftaustritts-Öffnungen gelagert werden, können durch die ausströmende Kaltluft gefrieren.

Wir empfehlen, die Lebensmittel wie folgt einzuordnen:

- **Im Gefrierfach:** Tiefkühlkost, Eiswürfel, Speiseeis.
- **Auf den Ablagen** im Kühlraum (von oben nach unten): Backwaren, fertige Speisen, Molkerei-Produkte, Fleisch und Wurst.
- **Im Gemüsebehälter:** Gemüse, Salat, Obst.
- In der **Tür** (von oben nach unten): Butter, Käse, Eier, Tuben, kleine Flaschen, große Flaschen, Milch, Safttüten.

de

Ausstattung

nicht bei allen Modellen

Kaltlagerfach (Chillerfach)

Bild 6

Im Kaltlagerfach herrschen tiefere Temperaturen als im Kühlraum. Es können auch Temperaturen unter 0 °C auftreten. Ideal zum Lagern von Fisch, Fleisch und Wurst. Nicht für Salate und Gemüse und kälteempfindliche Waren geeignet.

Hinweis:

Die Kaltlagerfachfunktion ist nur gegeben, wenn sich die Schale auf der linken Seite unterhalb der obersten Glasplatte befindet (Auslieferungszustand). An anderen Positionen herrschen in der Schale die gleichen Temperaturen wie im übrigen Kühlraum.

Flaschenablage

Bild 8

In der Flaschenablage können Flaschen sicher abgelegt werden. Die Halterung ist variabel.

Gefrierkalender

Bild 7

Die Zahlen bei den Symbolen geben die zulässige Lagerdauer in Monaten für das Gefriergut an. Bei fertiger Tiefkühlkost, die im Handel erhältlich ist, ist das Herstellungsdatum oder das Haltbarkeitsdatum zu beachten.

*Kälteakku

Bild 7

Bei einem Stromausfall oder einer Störung verzögert der Kälteakku die Erwärmung des eingelagerten Gefrierortes. Die längste Lagerzeit wird dabei erreicht, wenn der Akku in das oberste Fach direkt auf die Lebensmittel gelegt wird.

Um Platz zu sparen, kann der Akku im Türfach gelagert werden.

Der Kälteakku kann auch zum vorübergehenden Kühlhalten von Lebensmitteln z.B. in einer Kühltasche, herausgenommen werden.

Gefrieren und Lagern

Tiefkühlkost einkaufen

Verpackung darf nicht beschädigt sein.

Haltbarkeitsdatum beachten.

Temperatur in der Verkaufstruhe -18 °C oder tiefer.

Tiefkühlkost möglichst in einer Isoliertasche transportieren und schnell in den Gefrierraum legen.

Lebensmittel einordnen

Größere Mengen Lebensmittel vorzugsweise in den obersten Fächern eingefrieren, dort werden sie besonders schnell und somit auch schonend eingefroren. Die Lebensmittel breitflächig in die Fächer bzw. in die Gefriergutschalen legen.

Bereits gefrorene Lebensmittel dürfen nicht mit den frisch einzufrierenden Lebensmitteln in Berührung kommen. Gegebenenfalls durchgefrorene Lebensmittel in die Gefriergutschalen umstapeln.

Gefriergut lagern

- Wichtig für einwandfreie Luftzirkulation im Gerät, Gefriergutschalen bis zum Anschlag einschieben.
- Sind sehr viele Lebensmittel unterzubringen, kann man alle Gefriergutschalen bis auf die unterste aus dem Gerät herausnehmen und die Lebensmittel direkt auf den Gefrierrosten stapeln.
Zum Herausnehmen, Gefriergutschalen bis zum Anschlag herausziehen, vorn anheben und herausnehmen.

Eiswürfel herstellen

Eisschale $\frac{3}{4}$ mit Wasser füllen und auf den Boden des Frosterfaches stellen. Festgefrorene Eisschale nur mit stumpfem Gegenstand lösen (Löffelstiel).

Zum Lösen der Eiswürfel Eisschale kurz unter fließendes Wasser halten oder leicht verwinden.

Frische Lebensmittel einfrieren

Lebensmittel selbst eingefrieren

Werden Lebensmittel selbst eingefroren, nur frische, einwandfreie Lebensmittel verwenden.

Zum Einfrieren geeignet sind:

Fleisch- und Wurstwaren, Geflügel und Wild, Fisch, Gemüse, Kräuter, Obst, Backwaren, Pizza, fertige Speisen, Speisereste, Eigelb und Eiweiß.

Zum Einfrieren nicht geeignet sind:

Ganze Eier in der Schale, Sauerrahm und Mayonnaise, Blattsalate, Radieschen, Rettiche und Zwiebel.

Blanchieren von Gemüse und Obst

Damit Farbe, Geschmack, Aroma und Vitamin "C" erhalten bleiben, sollte Gemüse und Obst vor dem Einfrieren blanchiert werden.

Beim Blanchieren wird das Gemüse und Obst kurzzeitig in kochendes Wasser getaucht.

Literatur über das Einfrieren, wo auch das Blanchieren beschrieben wird, gibt es im Buchhandel.

Supergefrieren

Lagern bereits Lebensmittel im Gefrierraum, ist einige Stunden vor dem Einlegen frischer Ware das "Supergefrieren" einzuschalten. Im allgemeinen genügen 4–6 Stunden.

Soll das max. Gefriervermögen genutzt werden, benötigt man 24 Stunden. Kleinere Mengen Lebensmittel (bis zu 2 kg) können ohne Supergefrieren eingefroren werden.

Zum Einschalten die Supergefrieren-Taste **Bild 1/4** drücken.

Das Supergefrieren schaltet automatisch nach spätestens 2½ Tagen ab.

Max. Gefriervermögen

Lebensmittel sollen möglichst schnell bis zum Kern durchgefroren werden. Nur so bleiben Vitamine, Nährwert, Aussehen und Geschmack erhalten. Das max. Gefriervermögen Ihres Gerätes deshalb nicht überschreiten.

Gefriervermögen

Angaben über das max. Gefriervermögen in 24 Stunden finden Sie auf dem Typenschild.

Gefriergut auftauen

Je nach Art und Verwendungszweck kann zwischen folgenden Möglichkeiten gewählt werden:

- bei Raumtemperatur,
- im Kühlschrank,
- im elektrischen Backofen, mit/ohne Heißluftventilator,
- im Mikrowellengerät.

Hinweis

An- oder aufgetautes Gefriergut nicht wieder eingefrieren. Erst nach dem Verarbeiten zu einem Fertigericht (gekocht oder gebraten) kann es erneut eingefroren werden.

Die max. Lagerdauer des Gefriergutes nicht mehr voll nutzen.

Gerät ausschalten und stilllegen

Gerät ausschalten

Ein/Aus-Taste **Bild 1/1** drücken.

Gerät stilllegen

Wenn Sie das Gerät längere Zeit nicht benutzen:

1. Netzstecker ziehen.
2. Gerät reinigen.
3. Geräte-Türen offen lassen.

Gerät reinigen

- Netzstecker ziehen oder Sicherung auslösen.
- Gefriergut herausnehmen und an einem kühlen Ort lagern. Kälteakku (wenn beiliegend) auf die Lebensmittel legen.
- Reinigen Sie das Gerät mit lauwarmem Wasser und etwas Spülmittel.

Achtung

Türdichtung nur mit klarem Wasser reinigen und gründlich trockenreiben.

Reinigungswasser darf nicht in die Bedienblende gelangen.

Keine sandhaltigen oder säurehaltigen Putz- und Lösungsmittel verwenden.

Energie sparen

- Gerät in einem trockenen, belüftbaren Raum aufstellen; nicht direkt in der Sonne oder in der Nähe einer Wärmequelle (z. B. Heizkörper, Herd). Sonst eine Isolierplatte verwenden.
- Warme Speisen und Getränke außerhalb des Gerätes abkühlen lassen.
- Das Gefriergut zum Auftauen in den Kühlschrank geben. Die Kälte des Gefriergutes zur Kühlung von Lebensmitteln nutzen.
- Gerätetür so kurz wie möglich öffnen.
- Die Geräterückseite sollte gelegentlich mit einem Staubsauger oder Pinsel gereinigt werden, um einen erhöhten Stromverbrauch zu vermeiden.
- Erforderlicher Abstand von 60 mm zur Rückwand einhalten. Dabei kann die erwärmte Luft ungehindert abziehen. Der Abstand darf aber nicht mehr als 75 mm betragen.

Betriebsgeräusche

Ganz normale Geräusche

Brummen – Kälteaggregat läuft.

Blubbernde, surrende oder gurgelnde Geräusche – Kältemittel fließt durch die Rohre.

Klicken – Motor schaltet ein oder aus.

Knacken – automatische Abtauung erfolgt.

Geräusche, die sich leicht beheben lassen

Das Gerät steht uneben

Bitte richten Sie das Gerät mit Hilfe einer Wasserwaage eben ein. Verwenden Sie dazu die Schraubfüße oder legen Sie etwas unter.

Das Gerät "steht an"

Bitte rücken Sie das Gerät von anstehenden Möbeln oder Geräten weg.

Schubladen, Körbe oder Abstellflächen wackeln oder klemmen

Prüfen Sie bitte die herausnehmbaren Teile und setzen Sie sie eventuell neu ein.

Gefäße berühren sich

Rücken Sie bitte die Flaschen oder Gefäße leicht auseinander.

Kleine Störungen selbst beheben

Bevor Sie den Kundendienst rufen:

Überprüfen Sie, ob Sie die Störung aufgrund der folgenden Hinweise selbst beheben können.

Sie müssen die Kosten für Beratung durch den Kundendienst selbst übernehmen – auch während der Garantiezeit!

Störung	Mögliche Ursache	Abhilfe
Die Beleuchtung funktioniert nicht.	Die Glühlampe ist defekt.	Glühlampe austauschen: Bild 3 <ol style="list-style-type: none"> 1. Netzstecker ziehen bzw. Sicherung ausschalten. 2. Glühlampe wechseln (Ersatzlampe max. 15 W, 220–240 V Wechselstrom, Sockel E14).
	Der Lichtschalter klemmt. Bild 1/6	Prüfen, ob er sich bewegen lässt.

de

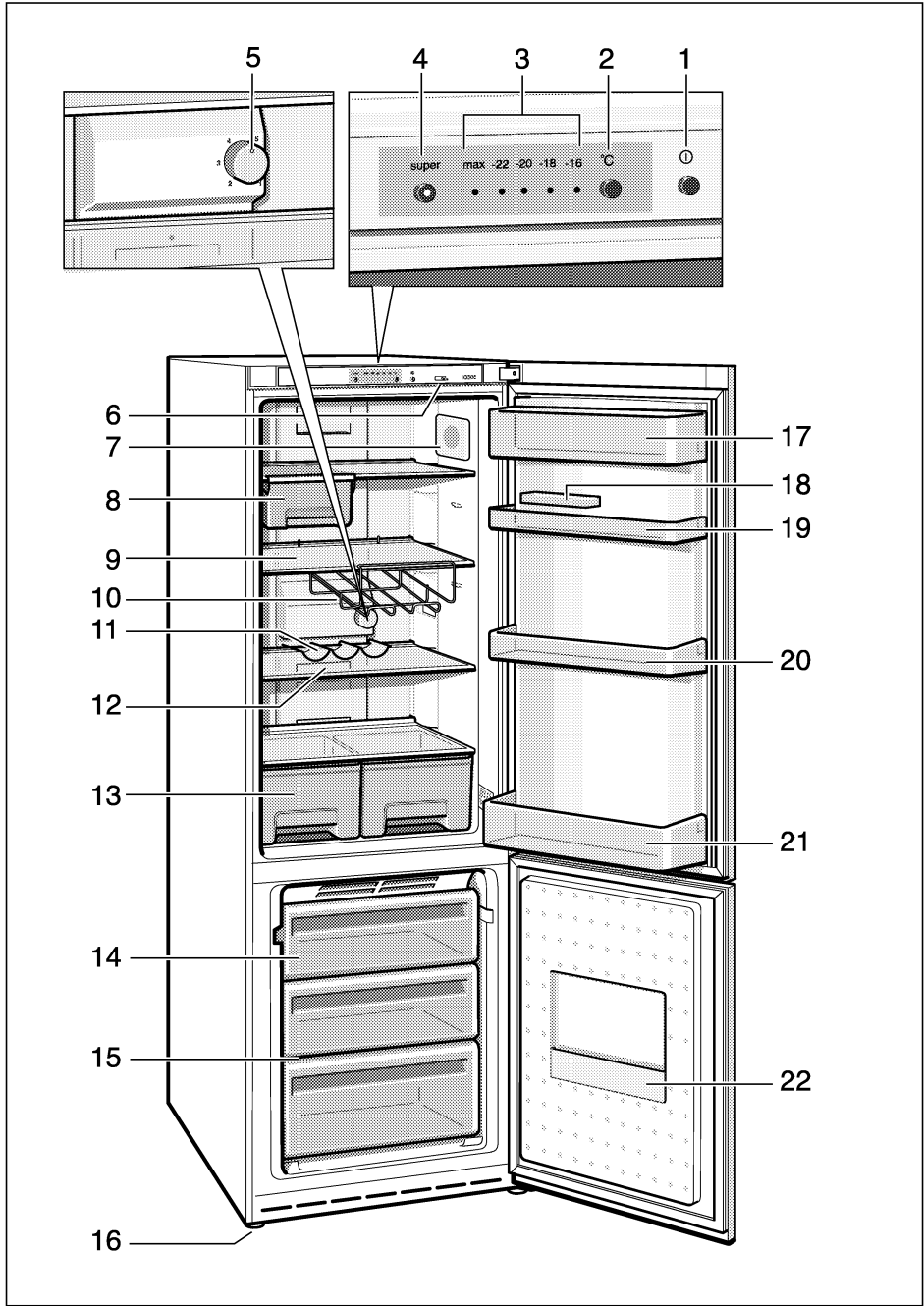
Störung	Mögliche Ursache	Abhilfe
Die Temperatur im Kühlraum ist zu kalt.	Kältere Gefrierraumtemperaturen können auch kältere Kühlraumtemperaturen bewirken. Dieses ist kältetechnisch bedingt.	Temperatur im Kühlraum etwas wärmer stellen. Falls dies nicht ausreicht, z. B. bei zu kalten Umgebungstemperaturen, stellen Sie auch noch die Gefrierraumtemperatur wärmer.
Keine Anzeige leuchtet.	Stromausfall; die Sicherung hat ausgelöst; der Netzstecker sitzt nicht fest.	Prüfen, ob Strom vorhanden ist, Sicherung muss eingeschaltet sein.
Die Temperatur im Gefrierraum ist zu warm.	<ul style="list-style-type: none">• Gefrierraumtür ist offen.• Die Be- und Entlüftungsöffnungen sind verdeckt.• Es wurden zu viele Lebensmittel auf einmal zum Gefrieren eingelegt.	Tür schließen. Be- und Entlüftung sicherstellen. Max. Gefriervermögen nicht überschreiten.
Gefrierraumtür war lange Zeit offen; Temperatur wird nicht mehr erreicht.	Der Verdampfer (Kältererzeuger) im Nofrost-System ist stark vereist, dass er nicht mehr vollautomatisch abtaut.	Zum Abtauen des Verdampfers, Gefriergut mit den Fächern herausnehmen und gut isoliert an einem kühlen Platz lagern. Gerät ausschalten und von der Wand wegrücken. Gerätetür offen lassen. Nach ca 20 Min. beginnt das Tauwasser in die Verdunstungsschale auf der Geräterückseite zu laufen. Um ein Überlaufen der Verdunstungsschale in diesem Fall zu vermeiden, Tauwasser mit einem Schwamm aufsaugen. Wenn kein Tauwasser mehr in die Verdunstungsschale läuft, ist der Verdampfer abgetaut. Innenraum reinigen. Gerät wieder in Betrieb nehmen.

Kundendienst

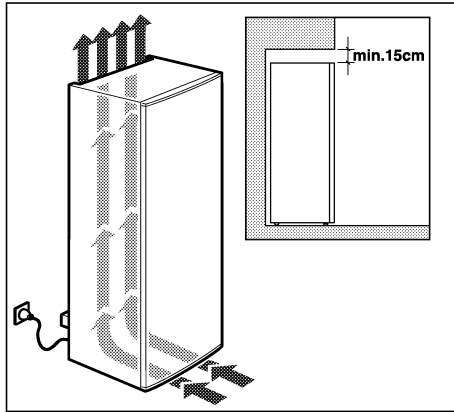
Einen Kundendienst in Ihrer Nähe finden Sie im Telefonbuch oder im Kundendienst-Verzeichnis. Geben Sie bitte dem Kundendienst die Erzeugnisnummer (E-Nr.) und die Fertigungsnummer (FD) des Gerätes an.

Sie finden diese Angaben auf dem Typenschild. **Bild 10**

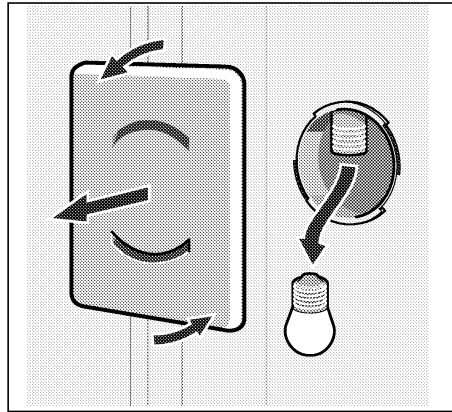
Bitte helfen Sie durch Nennung der Erzeugnis- und Fertigungsnummer mit, unnötige Anfahrten zu vermeiden. Sie sparen die damit verbundene Mehrkosten.



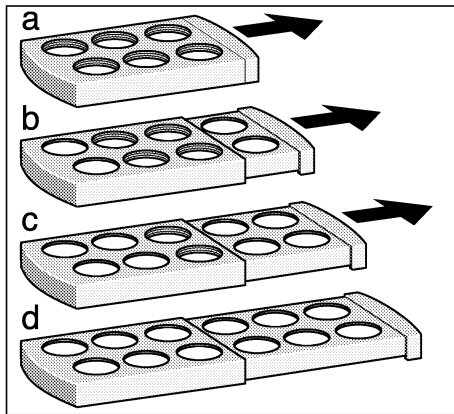
1



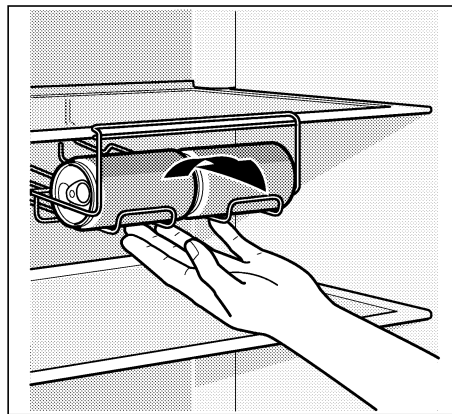
2



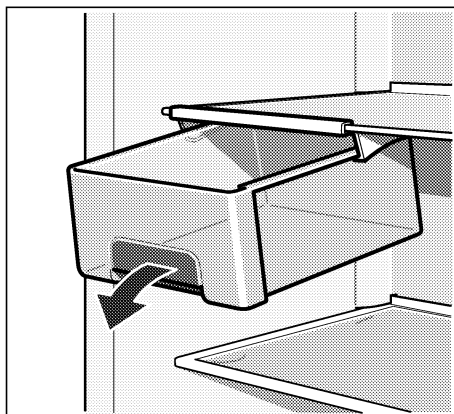
3



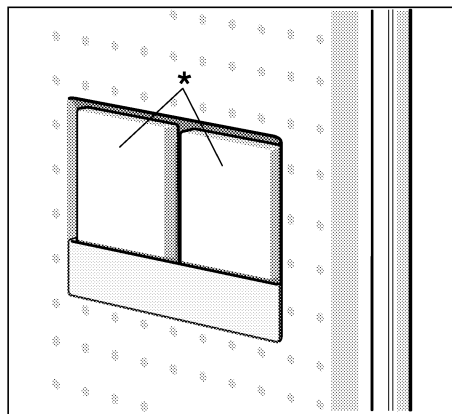
4



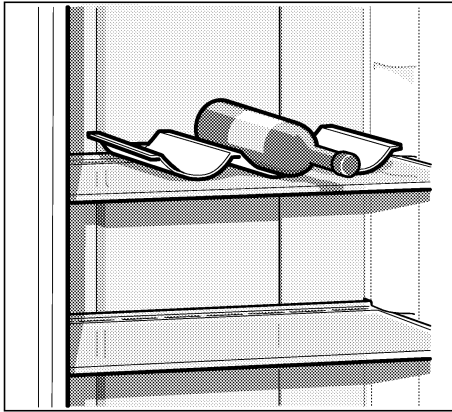
5



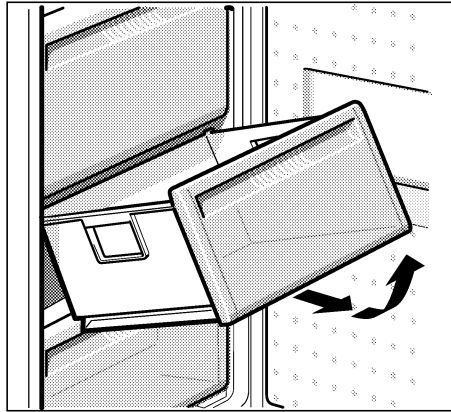
6



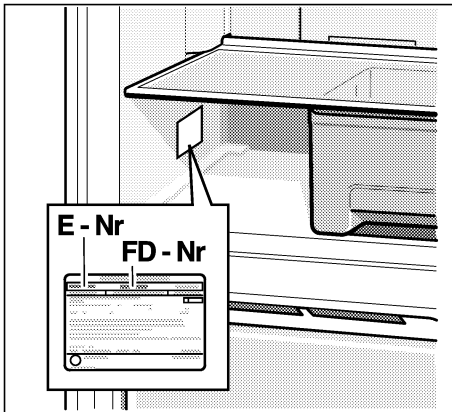
7



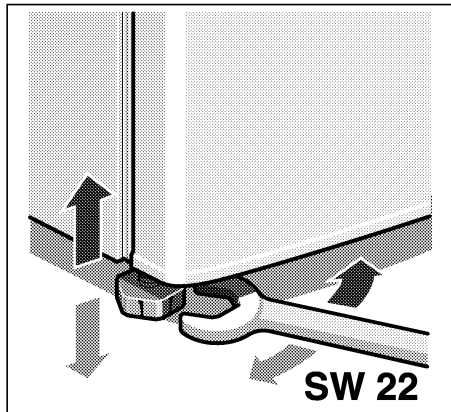
8



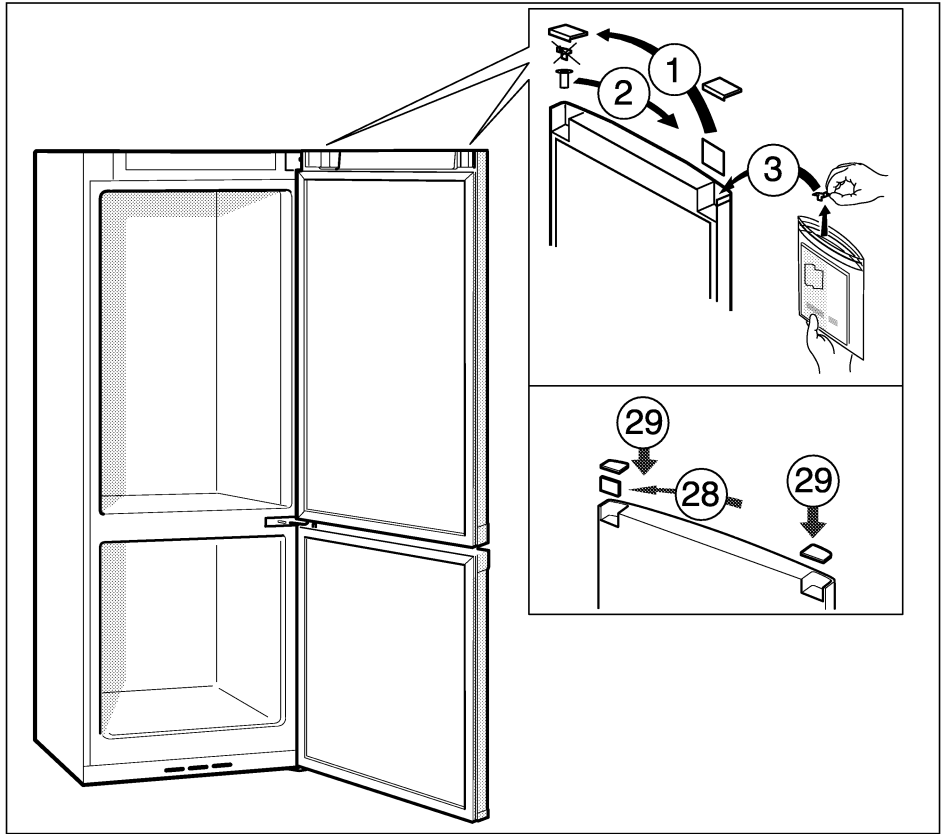
9



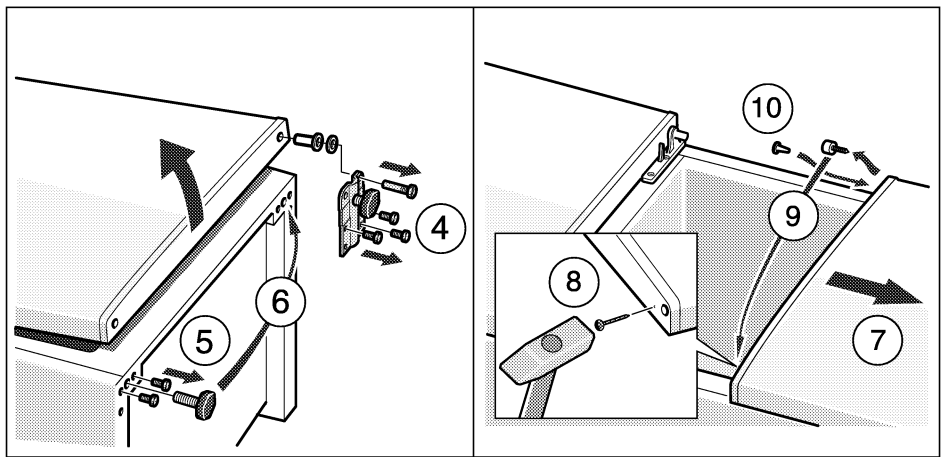
10



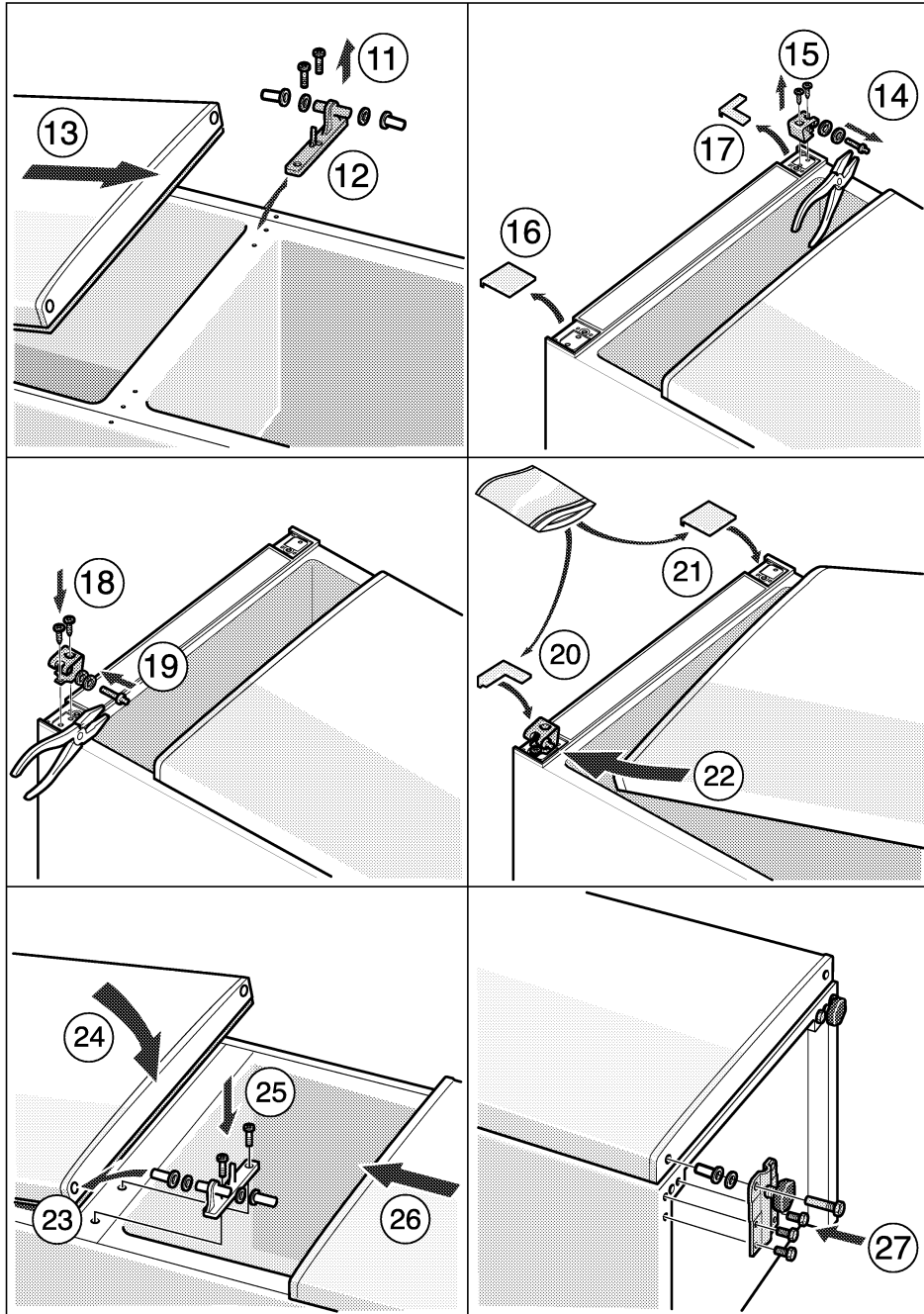
11

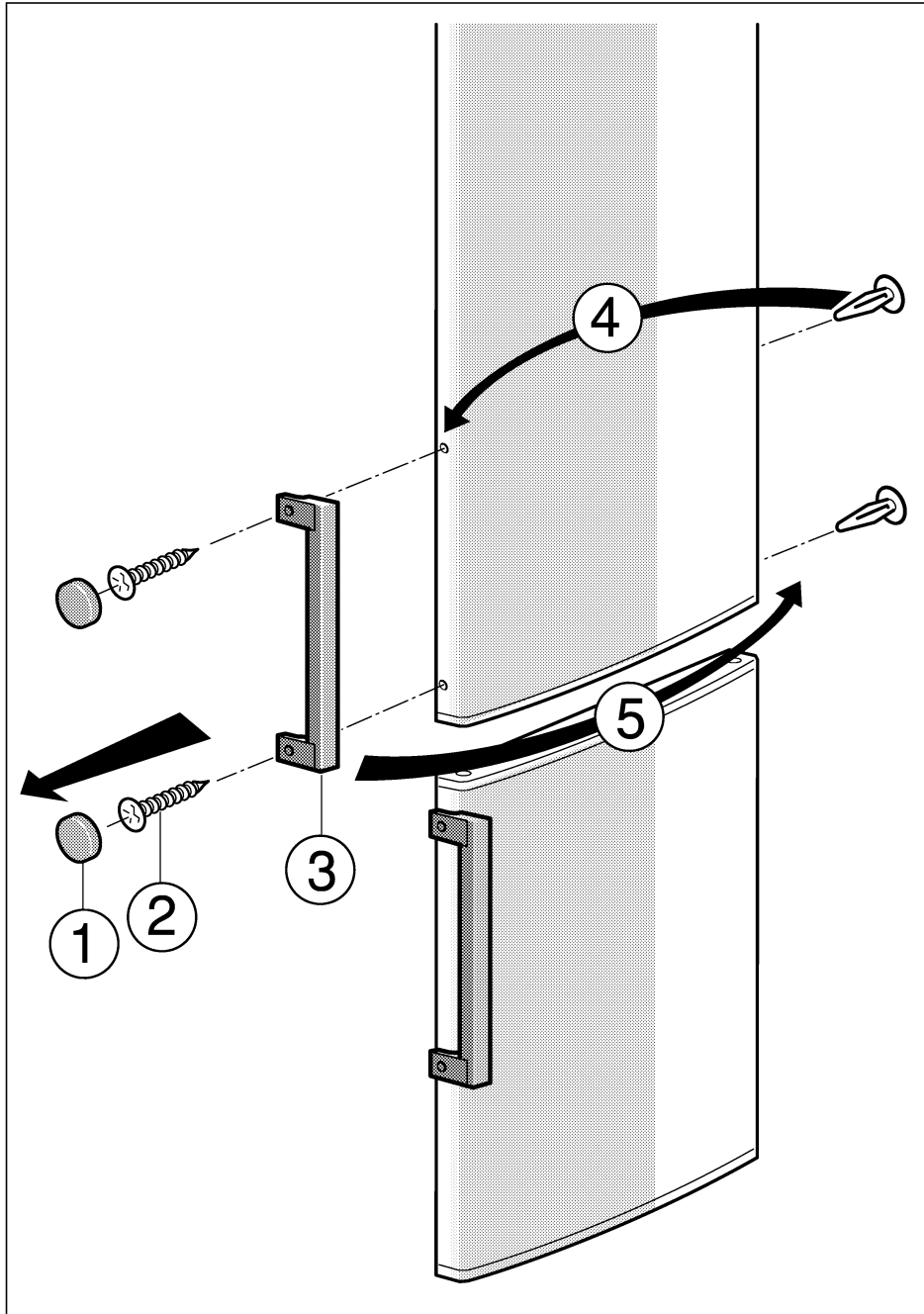


12a



12b





ROBERT BOSCH HAUSGERÄTE GMBH
Carl-Wery-Straße 34, 81739 München

9004/001D

9000559069

Free Manuals Download Website

<http://myh66.com>

<http://usermanuals.us>

<http://www.somanuals.com>

<http://www.4manuals.cc>

<http://www.manual-lib.com>

<http://www.404manual.com>

<http://www.luxmanual.com>

<http://aubethermostatmanual.com>

Golf course search by state

<http://golfingnear.com>

Email search by domain

<http://emailbydomain.com>

Auto manuals search

<http://auto.somanuals.com>

TV manuals search

<http://tv.somanuals.com>