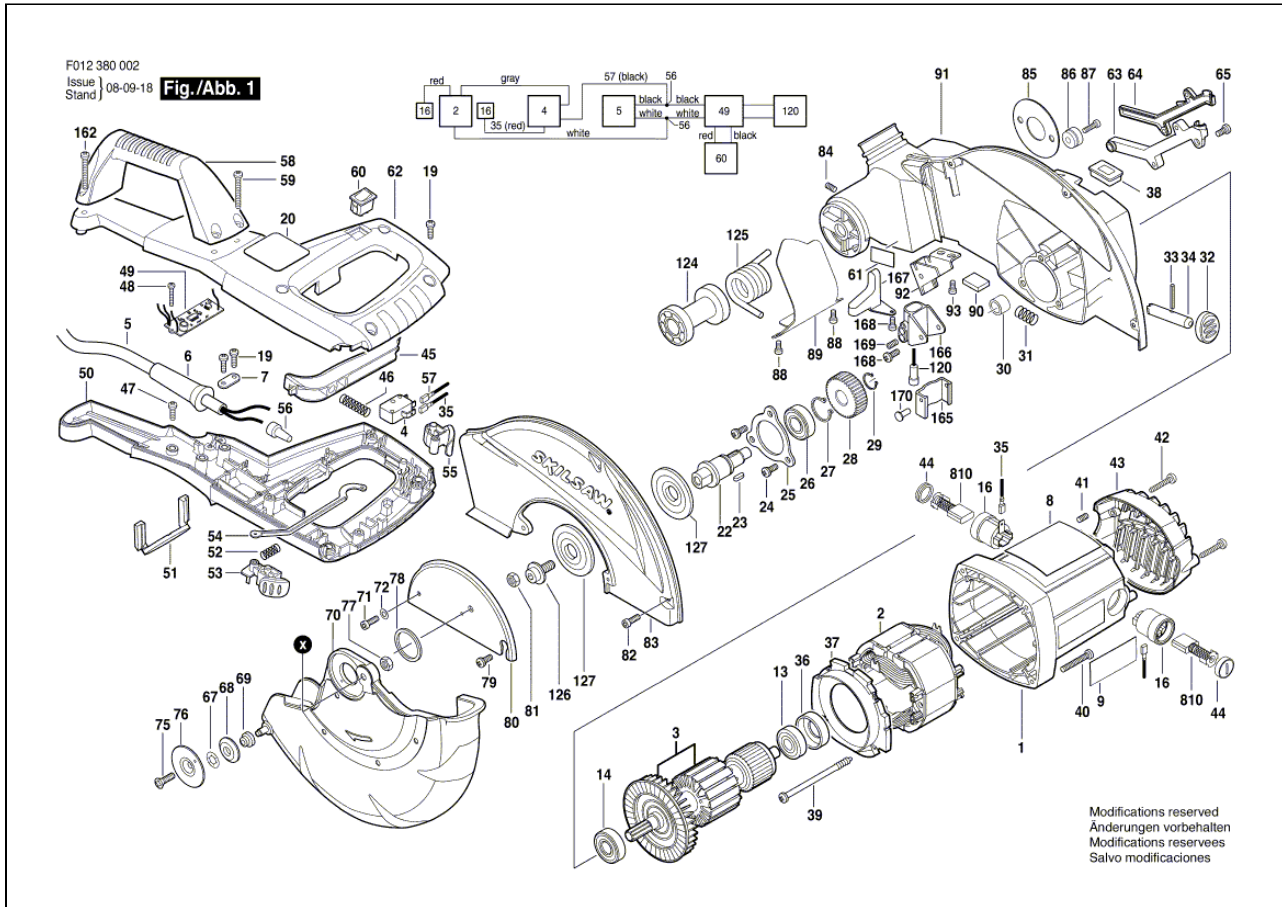


**Table Mitre Saw**  
**F 012 380 002 3800**

09.03.2011 19:58:59

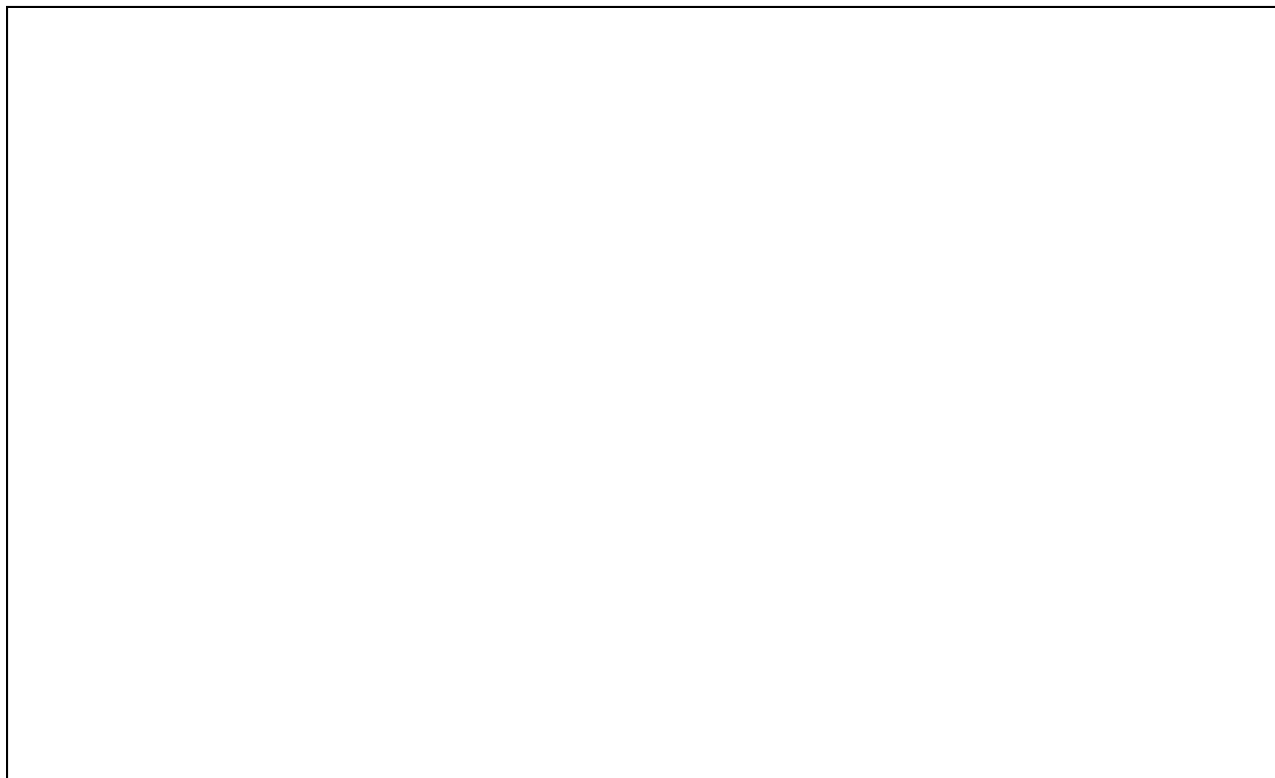


Item	Quantity	Order No.	Designation	Price group	Page
1	1	2 610 946 115	Motor Housing	27	1
2	1	2 610 946 116	Field	39	1
3	1	2 610 946 117	Armature	44	1
4	1	2 610 946 118	Mains switch	20	1
5	1	2 610 946 119	Cord	26	1
6	1	2 610 946 120	Grommet	12	1
7	1	2 610 946 121	Clamp	14	1
8	1	2 610 956 202	Nameplate	12	1
9	1	2 610 946 123	Label	12	1
13	1	2 615 302 979	Ball Bearing		1
14	1	2 610 946 125	Ball Bearing	20	1
16	2	2 610 946 126	Brush Holder	18	1
19	6	2 610 946 127	Screw	10	1
20	1	2 610 946 128	Warning Label	12	1
22	1	2 610 946 129	Shaft	20	1
23	1	2 610 946 130	Pin	10	1
24	3	2 610 922 625	Screw	10	1
25	1	2 610 946 131	Plate	12	1
26	1	2 610 946 132	Ball Bearing	21	1
27	1	2 610 946 133	Retaining clip	10	1
28	1	2 610 946 134	Conversion Gear	28	1

29	1	2 610 946 135	Retaining clip	10	1
30	1	2 610 946 136	Needle-Roller Bearing	15	1
31	1	2 610 910 770	Spring	10	1
32	1	2 610 946 137	Cover	10	1
33	1	2 610 946 138	Pin	10	1
34	1	2 610 946 139	Locking Pin	12	1
35	1	2 610 946 140	Lead Wire	14	1
36	1	2 610 946 141	Rubber Bushing	11	1
37	1	2 610 946 142	Baffle	12	1
38	1	2 610 946 143	Grommet	10	1
39	2	2 610 946 144	Screw	10	1
40	4	2 610 946 145	Screw	10	1
41	2	2 610 355 295	Screw	12	1
42	1	2 610 912 552	Screw	10	1
43	1	2 610 946 146	Housing Cover	17	1
44	2	2 610 911 487	Cover	14	1
45	1	2 610 946 147	Trigger	14	1
46	1	2 610 910 758	Spring	10	1
47	1	2 610 946 148	Screw	10	1
48	4	2 610 946 149	Screw	10	1
49	1	2 610 001 742	Sensor	21	1
50	1	2 610 946 151	Handle	25	1
51	1	2 610 001 549	Lens	11	1
52	1	2 610 946 153	Compression Spring	10	1
53	1	2 610 946 154	Button	10	1
54	1	2 610 946 155	Lever	12	1
55	1	2 610 946 156	Button	10	1
56	2	2 610 946 157	Terminal	10	1
57	1	2 610 946 158	Lead Wire	11	1
58	1	2 610 946 159	Handle	19	1
59	2	2 610 946 160	Screw	10	1
60	1	2 610 946 161	Mains switch	18	1
61	1	2 610 946 162	Warning Label	12	1
62	1	2 610 946 163	Handle	24	1
63	1	2 610 946 164	Housing Half	10	1
64	1	2 610 946 165	Housing Half	10	1
65	1	2 610 946 187	Screw	10	1
66	1	2 610 946 166	Screw	10	2
67	1	2 610 990 521	Spring retaining ring	10	1
68	1	2 610 990 518	Roller	10	1
69	1	2 610 990 522	Bearing	10	1
70	1	2 610 946 167	Protection	38	1
71	1	2 610 946 168	Screw	10	1
72	1	2 610 946 169	Spring Washer	11	1
73	1	2 610 946 170	Screw	10	2
74	1	2 610 946 171	Lever	15	2
75	1	2 610 946 172	Screw	10	1
76	1	2 610 946 173	Collar	14	1
77	1	2 610 355 332	Square Nut	11	1
78	1	2 610 946 174	Spring	10	1
79	1	2 610 355 278	Screw	15	1
80	1	2 610 946 175	Cover	15	1
81	1	2 615 303 042	Nut	10	1
82	3	2 610 946 176	Screw	10	1
83	1	2 610 946 177	Cover	29	1
84	2	2 610 946 178	Screw	10	1
85	1	2 610 946 179	Shim	10	1

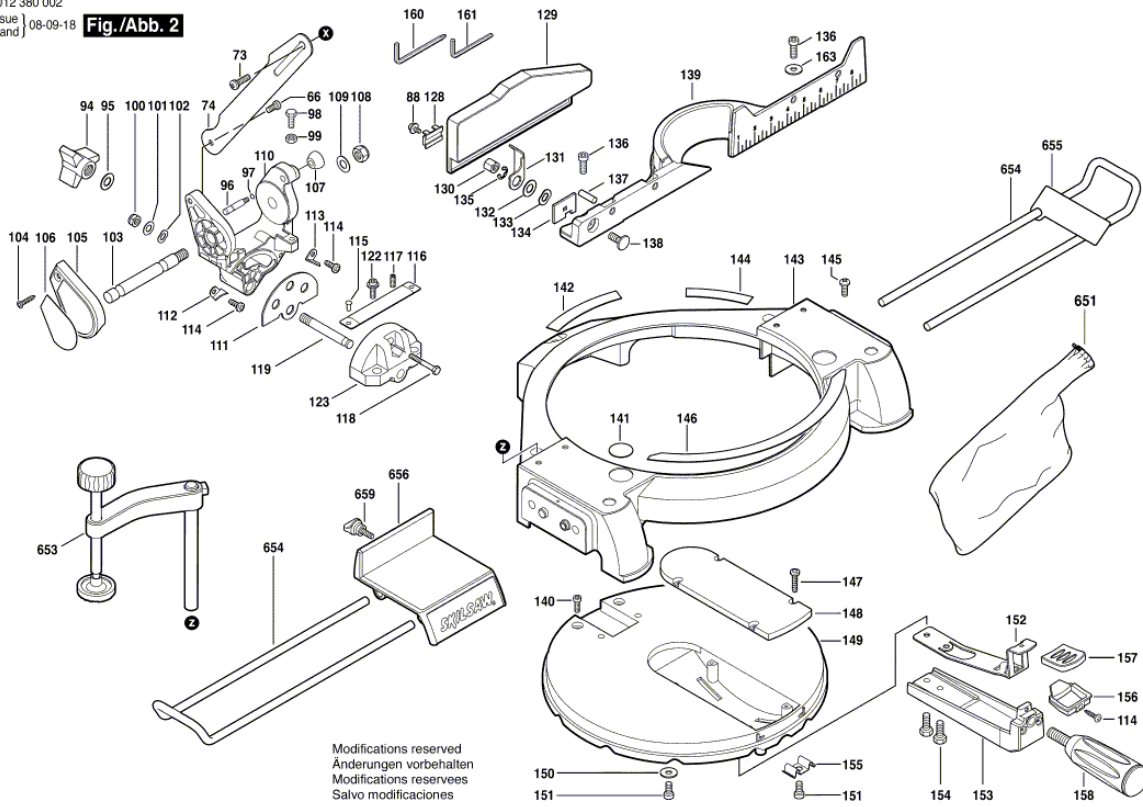
86	1	2 610 946 180	Bushing	11	1
87	1	2 610 946 181	Trunnion	10	1
88	3	2 610 946 182	Screw	10	1
89	1	2 610 946 183	Cover	10	1
90	1	2 610 946 184	Pad	10	1
91	1	2 610 946 185	Pivoting Blade Guard	40	1
92	1	2 610 001 550	Chip Deflector	14	1
93	1	2 615 303 040	Screw	10	1
94	1	2 610 001 551	Locking Lever	18	2
95	1	2 610 946 189	Washer	10	2
96	1	2 610 946 190	Pin	11	2
97	1	2 610 946 191	O-Ring	10	2
98	1	2 610 946 192	Trunnion	10	2
99	1	2 610 912 549	Hex Nut	10	2
100	1	2 610 946 193	Nut	10	2
101	1	2 610 946 194	Washer	10	2
102	1	2 610 355 264	Plain Washer	15	2
103	1	2 610 946 195	Shaft	15	2
104	1	2 610 946 196	Screw	10	2
105	1	2 610 946 197	Cover	15	2
106	1	2 610 956 203	Label	12	2
107	1	2 610 946 199	Knob	10	2
108	1	2 610 946 200	Nut	10	2
109	1	2 610 946 201	Washer	10	2
110	1	2 610 946 202	Bracket	32	2
111	1	2 610 946 203	Slide Plate	11	2
112	1	2 610 946 204	Pointer	10	2
113	1	2 610 946 205	Pointer	10	2
114	3	2 610 911 466	Screw / M 8x0.8-10	10	2
115	2	2 610 355 300	Screw	10	2
116	1	2 610 946 206	Scale	12	2
117	1	2 610 946 207	Screw	10	2
118	1	2 610 946 208	Trunnion	10	2
119	1	2 610 946 209	Pivot Shaft	12	2
120	1	2 610 956 204	Laser	33	1
122	2	2 610 946 212	Screw	10	2
123	1	2 610 946 213	Support	22	2
124	1	2 610 946 214	Sleeve	10	1
125	1	2 610 001 552	Torsion Spring	19	1
126	1	2 610 946 216	Trunnion	14	1
127	2	2 610 946 217	Flange	19	1
128	1	2 610 946 218	Holder	10	2
129	1	2 610 946 219	Sliding Plate	26	2
130	1	2 610 967 439	Nut	10	2
131	1	2 610 946 220	Lever	14	2
132	1	2 610 946 221	Washer	10	2
133	1	2 610 358 439	Plain Washer	10	2
134	1	2 610 946 222	Plate	11	2
135	1	2 610 967 438	Spring retaining ring	10	2
136	4	2 610 946 223	Trunnion	10	2
137	1	2 610 946 224	Pin	10	2
138	1	2 610 992 372	Stud bolt	10	2
139	1	2 610 946 225	Mitre Fence	34	2
140	2	2 610 946 226	Screw	10	2
141	2	2 610 946 227	Warning Label	12	2
142	1	2 610 946 228	Warning Label	15	2
143	1	2 610 946 229	Base	42	2

144	1	2 610 946 230	Warning Label	15	2
145	2	2 610 946 231	Screw	10	2
146	1	2 610 946 232	Scale	15	2
147	4	2 610 946 233	Screw	10	2
148	1	2 610 946 234	Insert	15	2
149	1	2 610 946 235	Table	38	2
150	2	2 610 946 236	Washer	10	2
151	5	2 610 946 237	Screw	10	2
152	1	2 610 946 238	Spring	17	2
153	1	2 610 946 239	Arm Bracket	20	2
154	2	2 610 922 091	Screw	10	2
155	3	2 610 946 240	Plate	15	2
156	1	2 610 946 241	Indicator	12	2
157	1	2 610 946 242	Sleeve	10	2
158	1	2 610 946 243	Handle	19	2
160	1	2 610 946 245	Hexagon Socket Wrench	12	2
161	1	2 615 303 046	Hexagon Socket Wrench		2
162	1	2 610 946 246	Screw	10	1
163	2	2 610 302 311	Washer	10	2
165	1	2 610 001 553	Cover	11	1
166	1	2 610 001 554	Holder	12	1
167	1	2 610 001 555	Shield	11	1
168	1	2 610 001 652	Screw	10	1
169	2	2 610 001 653	Screw	10	1
170	2	2 610 001 741	Rivet	10	1
651	1	2 610 944 564	Dust Bag	19	2
653	1	2 610 944 566	Clamp	27	2
654	2	2 610 944 567	Extension Shaft	27	2
655	1	2 610 944 568	Stop Block	15	2
656	1	2 610 944 569	Table	29	2
659	1	2 610 944 572	Knob	10	2
810	1	2 610 993 231	Carbon-Brush Set	24	1



F012 380 002  
Issue | 06-09-18  
Stand

Fig./Abb. 2



## Free Manuals Download Website

<http://myh66.com>

<http://usermanuals.us>

<http://www.somanuals.com>

<http://www.4manuals.cc>

<http://www.manual-lib.com>

<http://www.404manual.com>

<http://www.luxmanual.com>

<http://aubethermostatmanual.com>

Golf course search by state

<http://golfingnear.com>

Email search by domain

<http://emailbydomain.com>

Auto manuals search

<http://auto.somanuals.com>

TV manuals search

<http://tv.somanuals.com>