

# BOSTITCH®

## F21PL / F21PL2 / F28WW F33PT / F33PTSM

**PNEUMATIC STICK NAILER**  
**CLAVADORA NEUMÁTICA ALIMENTADA POR BARRA**  
**CLOUEUR PNEUMATIQUE À CARTOUCHE**



### **OPERATION and MAINTENANCE MANUAL** **MANUAL DE OPERACIÓN Y DE MANTENIMIENTO** **MANUEL D'INSTRUCTIONS ET D'ENTRETIEN**

**⚠ WARNING:**

**⚠ ADVERTENCIA:**

**⚠ ATTENTION:**

BEFORE OPERATING THIS TOOL, ALL OPERATORS SHOULD STUDY THIS MANUAL TO UNDERSTAND AND FOLLOW THE SAFETY WARNINGS AND INSTRUCTIONS. KEEP THESE INSTRUCTIONS WITH THE TOOL FOR FUTURE REFERENCE. IF YOU HAVE ANY QUESTIONS, CONTACT YOUR BOSTITCH REPRESENTATIVE OR DISTRIBUTOR.

ANTES DE OPERAR ESTA HERRAMIENTA, TODOS LOS OPERADORES DEBERÁN ESTUDIAR ESTE MANUAL PARA PODER COMPRENDER Y SEGUIR LAS ADVERTENCIAS SOBRE SEGURIDAD Y LAS INSTRUCCIONES. MANTENGA ESTAS INSTRUCCIONES CON LA HERRAMIENTA PARA FUTURA REFERENCIA, SI TIENE ALGUNA DUDA, COMUNÍQUESE CON SU REPRESENTANTE DE BOSTITCH O CON SU DISTRIBUIDOR.

LIRE ATTENTIVEMENT LE PRÉSENT MANUEL AVANT D'UTILISER L'APPAREIL. PRÊTER UNE ATTENTION TOUTE PARTICULIÈRE AUX CONSIGNES DE SÉCURITÉ ET AUX AVERTISSEMENTS. GARDER CE MANUEL AVEC L'OUTIL POUR FUTUR RÉFÉRENCE. SI VOUS AVEZ DES QUESTIONS, CONTACTEZ VOTRE REPRÉSENTANT OU VOTRE CONCESSIONNAIRE BOSTITCH.

**BOSTITCH®**  
STANLEY FASTENING SYSTEMS L.P.

166762REVH 07/09

# INTRODUCTION

---

BOSTITCH tools are precision-built tools, designed for precise, high volume nailing. These tools will deliver efficient, dependable service when used correctly and with care. As with any fine power tool, for best performance the manufacturer's instructions must be followed. Please study this manual before operating the tool and understand the safety warnings and cautions. The instructions on installation, operation and maintenance should be read carefully, and the manual kept for reference. NOTE: Additional safety measures may be required because of your particular application of the tool. Contact your BOSTITCH representative or distributor with any questions concerning the tool and its use. BOSTITCH, East Greenwich, Rhode Island 02818.

# INDEX

---

Safety Instructions .....	3
Tool Specifications .....	4
Air Supply: Fittings, Hoses, Filters, Air Consumption, Regulators, Operating Pressure, Setting Correct Pressure .....	4, 5
Lubrication .....	5
Loading the Tool, .....	6
Guide Rod installation .....	6
Fastener Depth Control Adjustment .....	7
Removing Nails, Directional Exhaust .....	7
Installing the metal connector attachment .....	8
Tool Operation .....	9,10, 11 &12
Maintaining the Pneumatic Tool .....	13
Trouble Shooting .....	14

# NOTE:

---

BOSTITCH tools have been engineered to provide excellent customer satisfaction and are designed to achieve maximum performance when used with precision BOSTITCH fasteners engineered to the same exacting standards. **The F33PT or F33PTSM, with the standard framing contact arm is designed for use with 33° paper tape stick nails. The F33PT or F33PTSM, with the Metal Connector Attachment installed is designed for use with BOSTITCH 35° metal connector nails. The F21PL & F21PL2 with the standard framing contact arm is designed for use with 21° plastic collated stick nails. The F21PL & F21PL2, with the optional Metal Connector Attachment installed is designed for use with BOSTITCH 23° metal connector nails. BOSTITCH cannot assume responsibility for product performance if our tools are used with fasteners or accessories not meeting the specific requirements established for genuine BOSTITCH nails, staples and accessories.**



# LIMITED WARRANTY – U.S. and Canada Only

---

Effective December 1, 2005 Bostitch, L.P. warrants to the original retail purchaser that the product purchased is free from defects in material and workmanship, and agrees to repair or replace, at Bostitch's option, any defective Bostitch branded pneumatic stapler or nailer for a period of seven (7) years from date of purchase (one (1) year from the date of purchase for compressors and tools used in production applications). Warranty is not transferable. Proof of purchase date required. This warranty covers only damage resulting from defects in material or workmanship; it does not cover conditions or malfunctions resulting from normal wear, neglect, abuse, accident or repairs attempted or made by other than our national repair center or authorized warranty service centers. Driver blades, bumpers, o-rings, pistons and piston rings are considered normally wearing parts. For optimal performance of your Bostitch tool always use genuine Bostitch fasteners and replacement parts.

THIS WARRANTY IS IN LIEU OF ALL OTHER WARRANTIES, EXPRESS OR IMPLIED, INCLUDING BUT NOT LIMITED TO THE IMPLIED WARRANTIES OF MERCHANTABILITY OR FITNESS FOR A PARTICULAR PURPOSE. BOSTITCH SHALL NOT BE LIABLE FOR ANY INCIDENTAL OR CONSEQUENTIAL DAMAGES.

Some states and countries do not allow limitations on how long an implied warranty lasts, or the exclusion or limitation of incidental or consequential damages, so the above limitations or exclusions may not apply to you. This warranty gives you specific legal rights, and you may also have other rights which vary from state to state and country to country.

To obtain warranty service in the U.S. return the product, together with proof of purchase, to the U.S. Bostitch National or Regional Independent Authorized Warranty Service Center. In the U.S. you may call us at 1-800-556-6696 or visit [www.BOSTITCH.com](http://www.BOSTITCH.com) for the location most convenient for you. In Canada please call us at 1-800-567-7705 or visit [www.BOSTITCH.com](http://www.BOSTITCH.com)

## SAFETY INSTRUCTIONS

**⚠WARNING:** **EYE PROTECTION** which conforms to ANSI specifications and provides protection against flying particles both from the FRONT and SIDE should ALWAYS be worn by the operator and others in the work area when connecting to air supply, loading, operating or servicing this tool. Eye protection is required to guard against flying fasteners and debris, which could cause severe eye injury.



The employer and/or user must ensure that proper eye protection is worn. Eye protection equipment must conform to the requirements of the American National Standards Institute, ANSI Z87.1 and provide both frontal and side protection. NOTE: Non-side shielded spectacles and face shields alone do not provide adequate protection.



**⚠CAUTION:** Additional Safety Protection will be required in some environments. For example, the working area may include exposure to noise level which can lead to hearing damage. The employer and user must ensure that any necessary hearing protection is provided and used by the operator and others in the work area. Some environments will require the use of head protection equipment. When required, the employer and user must ensure that head protection conforming to ANSI Z89.1 is used.

## AIR SUPPLY AND CONNECTIONS

**⚠WARNING:** Do not use oxygen, combustible gases, or bottled gases as a power source for this tool as tool may explode, possibly causing injury.

**⚠WARNING:** Do not use supply sources which can potentially exceed 200 P.S.I.G. as tool may burst, possibly causing injury.

**⚠WARNING:** The connector on the tool must not hold pressure when air supply is disconnected. If a wrong fitting is used, the tool can remain charged with air after disconnecting and thus will be able to drive a fastener even after the air line is disconnected possibly causing injury.

**⚠WARNING:** Do not pull trigger or depress contact arm while connected to the air supply as the tool may cycle, possibly causing injury.

**⚠WARNING:** Always disconnect air supply: 1.) Before making adjustments; 2.) When servicing the tool; 3.) When clearing a jam; 4.) When tool is not in use; 5.) When moving to a different work area, as accidental actuation may occur, possibly causing injury.

## LOADING TOOL

**⚠WARNING:** When loading tool: 1.) Never place a hand or any part of body in fastener discharge area of tool; 2.) Never point tool at anyone; 3.) Do not pull the trigger or depress the trip as accidental actuation may occur, possibly causing injury.

## OPERATION

**⚠WARNING:** Always handle the tool with care: 1.) Never engage in horseplay; 2.) Never pull the trigger unless nose is directed toward the work; 3.) Keep others a safe distance from the tool while tool is in operation as accidental actuation may occur, possibly causing injury.

**⚠WARNING:** The operator must not hold the trigger pulled on contact arm tools except during fastening operation as serious injury could result if the trip accidentally contacted someone or something, causing the tool to cycle.

**⚠WARNING:** Keep hands and body away from the discharge area of the tool. A contact arm tool may bounce from the recoil of driving a fastener and an unwanted second fastener may be driven possibly causing injury.

**⚠WARNING:** Check operation of the contact arm mechanism frequently. Do not use the tool if the arm is not working correctly as accidental driving of a fastener may result. Do not interfere with the proper operation of the contact arm mechanism.

**⚠WARNING:** Do not drive fasteners on top of other fasteners or with the tool at an overly steep angle as this may cause deflection of fasteners which could cause injury.

**⚠WARNING:** Do not drive fasteners close to the edge of the work piece as the wood may split, allowing the fastener to be deflected possibly causing injury.

**⚠WARNING:** This nailer produces SPARKS during operation. NEVER use the nailer near flammable substances, gases or vapors including lacquer, paint, benzene, thinner, gasoline, adhesives, mastics, glues or any other material that is – or the vapors, fumes or byproducts of which are – flammable, combustible or explosive. Using the nailer in any such environment could cause an EXPLOSION resulting in personal injury or death to user and bystanders.

**⚠WARNING:** Never use rafter hook to hang tool from body, clothing or belt.

## MAINTAINING THE TOOL

**⚠WARNING:** When working on air tools note the warnings in this manual and use extra care when evaluating problem tools.

# F SERIES TOOL SPECIFICATIONS

All screws and nuts are metric.

MODEL	TOOL ACTUATION	LENGTH	HEIGHT	WIDTH	WEIGHT
F28WW	Sequential Trip with Contact Trip Option	20" (508mm)	14" (355mm)	5-1/4" (133mm)	7.8 lb. (3.5 kg.)
F21PL	Sequential Trip with MCN and Contact Trip Option	20-3/8" (517mm)	14" (355mm)	5-1/4" (133mm)	8.1 lb. (3.7 kg.)
F21PL2	Sequential Trip with Contact Trip Option	20-3/8" (517mm)	14" (355mm)	5-1/4" (133mm)	8.1 lb. (3.7 kg.)
F33PT	Sequential Trip with MCN and Contact Trip Option	18" (457mm)	14" (355mm)	5-1/4" (133mm)	8.0 lb. (3.6 kg.)
F33PTSM	Sequential Trip with MCN and Contact Trip Option	14-3/16" (360mm)	14" (355mm)	5-1/4" (133mm)	7.9 lb. (3.6 kg.)

## FASTENER SPECIFICATIONS:

**F28WW:** Uses a 28° wire collated stick nail in lengths of 2" to 3-1/2" (50 - 90mm) and shank diameters of .113" to .131" (2.8 - 3.3mm)

### F21PL/F21PL2:

- **with standard framing contact arm installed:** Uses a 21° plastic collated full round head stick nails, in lengths of 2" to 3-1/2" (50-90mm) and shank diameters of .113" to .162" (2.8 - 4.1mm)
- **(Included with F21PL ONLY) with metal connector attachment installed:** Uses a 23° plastic collated full round head metal connector nails, in lengths of 1-1/2" and 2-1/2" (38 - 64mm) and shank diameters of .131", .148" and .162".
- MCN-KIT3 must be purchased separately for the F21PL2 to be used for fastening metal connectors.

**NOTE: Use only one stick of metal connector nails at a time.**

### F33PT/ F33PTSM:

- **with standard framing contact arm installed:** Uses a 33° paper collated stick nails, in lengths of 2" to 3-1/2" (50-90mm) and shank diameters of .113" to .131" (2.8 - 3.3mm)
- **with metal connector attachment installed:** Uses a 35° paper collated full round head metal connector nails, in lengths of 1-1/2" and 2-1/2" (38 - 64mm) and shank diameters of .131", .148" and .162".

**NOTE: Use only one stick of metal connector nails at a time.**

## TOOL AIR FITTING:

This tool uses a 1/4" N.P.T. male plug. The inside diameter should be .275" (7mm) or larger. The fitting must be capable of discharging tool air pressure when disconnected from the air supply.

## OPERATING PRESSURE:

70 to 120 p.s.i.g. (4.9 to 8.4 kg/cm<sup>2</sup>). Select the operating pressure within this range for best fastener performance. **DO NOT EXCEED THIS RECOMMENDED OPERATING PRESSURE.**

## AIR CONSUMPTION:

The F21PL / F21PL2 / F28WW / F33PT / F33PTSM requires 8.7 cubic feet per minute (247 liters per minute) of free air to operate at the rate of 100 nails per minute, at 80 p.s.i. (5.6 kg/cm<sup>2</sup>). Take the actual rate at which the tool will be run to determine the amount of air required. For instance, if your fastener usage averages 50 nails per minute, you need 50% of the 8.7 c.f.m. (247 liters per minute) which is required to operate the tool at 100 nails per minute.

## OPERATION

BOSTITCH OFFERS TWO MODES OF OPERATION FOR THIS SERIES TOOL.

### SEQUENTIAL TRIP (Gray trigger):

The Sequential Trip requires the operator to hold the tool against the work surface before pulling the trigger. This makes accurate fastener placement easier, for instance on framing, toe nailing and crating applications. The Sequential Trip allows exact fastener placement without the possibility of driving a second fastener on recoil, as described under "Contact Trip". The Sequential Trip Tool has a positive safety advantage because it will not accidentally drive a second fastener if the tool is contacted against the work – or anything else – while the operator is holding the trigger pulled.

### CONTACT TRIP (Black trigger):

The common operating procedure on "Contact Trip" tools is for the operator to contact the work surface to actuate the trip mechanism while keeping the trigger pulled, thus driving a fastener each time the work is contacted. This will allow rapid fastener placement on many jobs, such as sheathing, decking and pallet assembly. All pneumatic tools are subject to recoil when driving fasteners. The tool may bounce, releasing the trip, and if unintentionally allowed to re-contact the work surface with the trigger still actuated (finger still holding trigger pulled) an unwanted second fastener will be driven.

## OPERATION (continued)

### MODEL IDENTIFICATION:

Refer to Operation Instructions on page 9 before proceeding to use this tool.

#### SEQUENTIAL TRIP

Identified by:

**GRAY TRIGGER**



#### CONTACT TRIP

Identified by:

**BLACK TRIGGER**



## AIR SUPPLY AND CONNECTIONS

**⚠WARNING:** Do not use oxygen, combustible gases, or bottled gases as a power source for this tool as tool may explode, possibly causing injury.

### FITTINGS:

Install a male plug on the tool which is free flowing and which will release air pressure from the tool when disconnected from the supply source.

### HOSES:

Air hoses should have a minimum of 150 p.s.i. (10.6 kg/cm<sup>2</sup>) working pressure rating or 150 percent of the maximum pressure that could be produced in the air system. The supply hose should contain a fitting that will provide "quick disconnecting" from the male plug on the tool.

### SUPPLY SOURCE:

Use only clean regulated compressed air as a power source for this tool. **NEVER USE OXYGEN, COMBUSTIBLE GASES, OR BOTTLED GASES, AS A POWER SOURCE FOR THIS TOOL AS TOOL MAY EXPLODE.**

### REGULATOR:

A pressure regulator with an operating pressure of 0 - 125 p.s.i. (0 - 8.79 KG/CM<sup>2</sup>) is required to control the operating pressure for safe operation of this tool. Do not connect this tool to air pressure which can potentially exceed 200 p.s.i. (14 KG/CM<sup>2</sup>) as tool may fracture or burst, possibly causing injury.

### OPERATING PRESSURE:

Do not exceed recommended maximum operating pressure as tool wear will be greatly increased. The air supply must be capable of maintaining the operating pressure at the tool. Pressure drops in the air supply can reduce the tool's driving power. Refer to "TOOL SPECIFICATIONS" for setting the correct operating pressure for the tool.

### FILTER:

Dirt and water in the air supply are major causes of wear in pneumatic tools. A filter will help to get the best performance and minimum wear from the tool. The filter must have adequate flow capacity for the specific installation. The filter has to be kept clean to be effective in providing clean compressed air to the tool. Consult the manufacturer's instructions on proper maintenance of your filter. A dirty and clogged filter will cause a pressure drop which will reduce the tool's performance.

## LUBRICATION

Frequent, but not excessive, lubrication is required for best performance. Use BOSTITCH Air Tool Lubricant, Mobil Velocite #10, or equivalent. Do not use detergent oil or additives as these lubricants will cause accelerated wear to the seals and bumpers in the tool, resulting in poor tool performance and frequent tool maintenance. Only a few drops of oil at a time is necessary. Too much oil will only collect inside the tool and will be noticeable in the exhaust cycle.

### COLD WEATHER OPERATION:

For cold weather operation, near and below freezing, the moisture in the air line may freeze and prevent tool operation. We recommend the use of BOSTITCH winter formula air tool lubricant or permanent antifreeze (ethylene glycol) as a cold weather lubricant.

**CAUTION: Do not store tools in a cold weather environment to prevent frost or ice formation on the tools operating valves and mechanisms that could cause tool failure.**

**NOTE: Some commercial air line drying liquids are harmful to "O"-rings and seals – do not use these low temperature air dryers without checking compatibility.**

# LOADING THE F SERIES TOOLS

**WARNING:** EYE PROTECTION which conforms to ANSI specifications and provides protection against flying particles both from the FRONT and SIDE should ALWAYS be worn by the operator and others in the work area when connecting to air supply, loading, operating or servicing this tool. Eye protection is required to guard against flying fasteners and debris, which could cause severe eye injury.

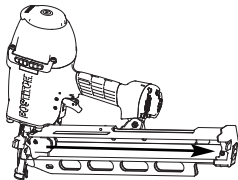


**WARNING:** The employer and/or user must ensure that proper eye protection is worn. Eye protection equipment must conform to the requirements of the American National Standards Institute, ANSI Z87.1 and provide both frontal and side protection. NOTE: Non-side shielded spectacles and face shields alone do not provide adequate protection.

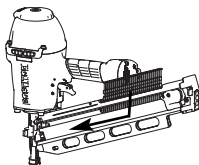
## TO PREVENT ACCIDENTAL INJURIES:

- Never place a hand or any other part of the body in nail discharge area of tool while the air supply is connected.
- Never point the tool at anyone else.
- Never engage in horseplay.
- Never pull the trigger unless nose is directed at the work.
- Always handle the tool with care.
- Do not pull the trigger or depress the trip mechanism while loading the tool.

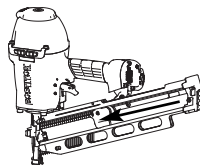
## F21PL, F21PL2, F28WW, F33PT, F33PTSM



**1. Open the magazine:**  
Pull pusher back to engage the latch.



**2. Load Nails:** Hold nailer down with magazine tilted downward. Insert stick of nails



**3. Close Magazine:** Release pusher by first pulling back on the pusher and then pressing the pusher release tab. Slide pusher against nails.

**NOTE:** Use only nails recommended for use in BOSTITCH Framing nailers or nails which meet the BOSTITCH specifications.

**WARNING:** When installing metal connectors with the F21PL, F21PL2, F33PT or F33PTSM: use only one stick of metal connector nails at a time.

**WARNING:** Never use contact trigger (black trigger) with metal connector attachment. Only use sequential trigger (gray trigger) with metal connector attachment. Refer to trigger conversion instruction included in the kit.

**WARNING:** When installing Metal Connectors, use ONLY BOSTITCH Heat Treated Metal Connector Nails.

**WARNING:** Never use rafter hook to hang tool from body, clothing or belt.

## GUIDE ROD INSTALLATION AND REMOVAL F21PL, F21PL2, F33PT, F33PTSM TOOLS:

Fig. 1

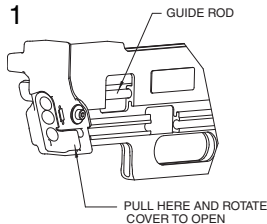


Fig. 2

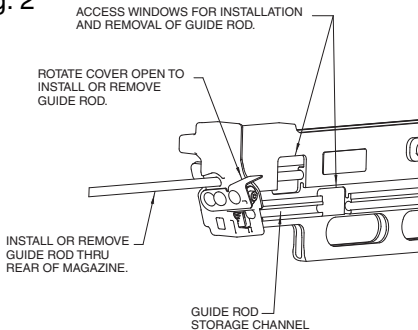
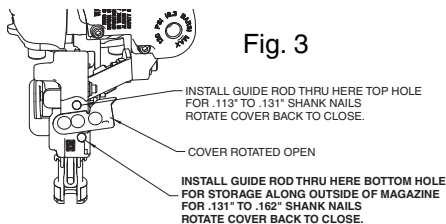


Fig. 3



## FASTENER DEPTH CONTROL ADJUSTMENT

### When using the framing contact arm:

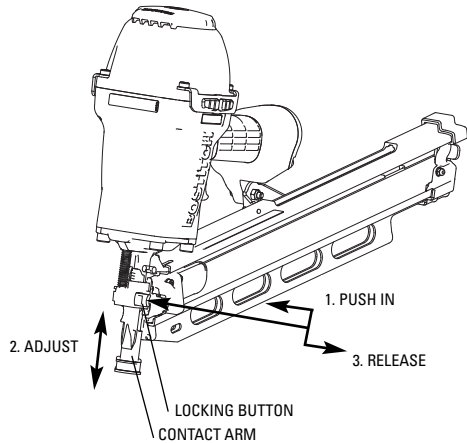
The Fastener Depth Control Adjustment feature provides control of the nail drive depth from flush with or just above the work surface to shallow or deep countersink.

### TO ADJUST THE FASTENER DEPTH CONTROL:

**WARNING:** Disconnect tool from air supply before attempting any parts disassembly and before changing the work contacting element adjustment.

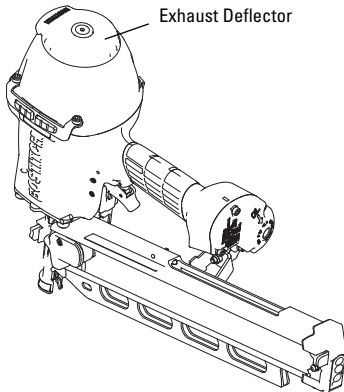
1. Push in on locking button.
2. Adjust contact arm up to increase depth of drive or down to decrease it.
3. Release locking button

**Note:** Metal Connector Attachment is not adjustable for depth control.



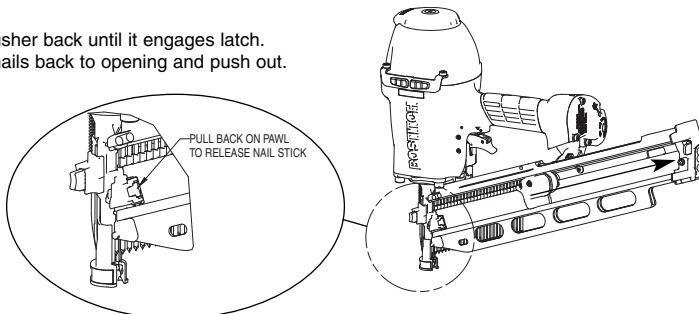
## DIRECTIONAL EXHAUST DEFLECTOR

The adjustable exhaust deflector can be rotated into any desired position by hand without the use of any tools.



## REMOVING NAILS

1. Pull pusher back until it engages latch.
2. Slide nails back to opening and push out.



# INSTALLING THE METAL CONNECTOR ATTACHMENT KIT TO YOUR BOSTITCH F21PL / F21PL2 / F33PT / F33PTSM

**⚠WARNING:** Disconnect tool from air supply before attempting any parts disassembly and before changing the work contacting element.

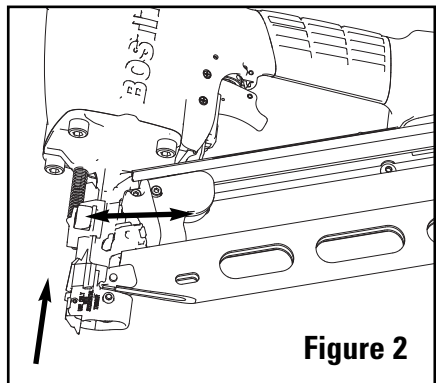
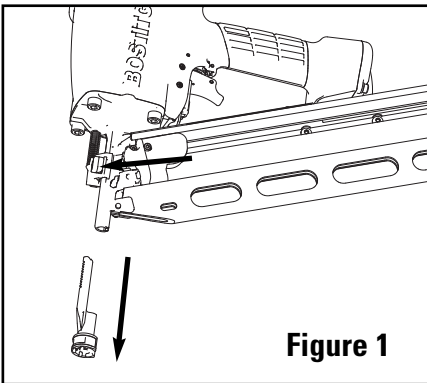
**⚠WARNING:** Never use contact trigger (black trigger) with metal connector attachment. Only use sequential trigger (gray trigger) with metal connector attachment. Refer to trigger conversion instruction included in the kit.

**⚠WARNING:** When installing Metal Connectors, use ONLY BOSTITCH Heat Treated Metal Connector Nails

- Push in locking button.(See figure 1)
- Slide contact arm down until it easily detaches from the tool.
- Push in locking button and fully slide Metal Connector Attachment onto tool as shown in figure 2.
- Release Locking Button.
- Make sure that Metal Connector attachment is installed in the full up -position and that the locking button has returned to the released position.

**NOTE:** The Metal Connector Attachment is not adjustable for depth control.

- MCN-KIT3 must be purchased separately for the F21PL2 to be used for fastening metal connectors.
- Check that the Metal Connector Attachment now moves freely up and down. If not, **DO NOT USE**. Have tool and Metal Connector Attachment serviced by an authorized service center.
- Reverse procedure to remove Metal Connector Attachment and to install standard framing Lower Contact Arm.



**⚠WARNING:** Always check that the Lower Contact Arm or Metal Connector Attachment moves freely before using tool. If any binding occurs, repeat assembly procedure or have tool serviced at an authorized BOSTITCH service center. For locations call: 1-800-556-6696

If further information is required, call BOSTITCH Customer Service at 1-800-556-6696 or write to: BOSTITCH Customer Service, Briggs Drive, East Greenwich, RI 02818.



**⚠WARNING:**

**EYE PROTECTION** which conforms to ANSI specifications and provides protection against flying particles both from the **FRONT** and **SIDE** should **ALWAYS** be worn by the operator and others in the work area when connecting to air supply, loading, operating or servicing this tool. Eye protection is required to guard against flying fasteners and debris, which could cause severe eye injury.



The employer and/or user must ensure that proper eye protection is worn. Eye protection equipment must conform to the requirements of the American National Standards Institute, ANSI Z87.1 and provide both frontal and side protection. **NOTE:** Non-side shielded spectacles and face shields alone do not provide adequate protection.

## **BEFORE HANDLING OR OPERATING THIS TOOL:**

- I. **READ AND UNDERSTAND THE WARNINGS CONTAINED IN THIS MANUAL.**
- II. **REFER TO "TOOL SPECIFICATIONS" IN THIS MANUAL TO IDENTIFY THE OPERATING SYSTEM ON YOUR TOOL.**

There are two available operation modes on these BOSTITCH pneumatic tools. They are:

### **1. SEQUENTIAL TRIP OPERATION    2. CONTACT TRIP OPERATION**

## **OPERATION**

BOSTITCH offers two types of triggers which operate differently: Sequential Trip (gray trigger) and Contact Trip (black trigger). Each trigger has specific advantages. You should evaluate your particular construction project to determine which trigger is best.

Your tool was shipped from the factory in the Sequential Trip (gray trigger) configuration. It can easily be converted to the Contact Trip (black trigger) mode of operation using this Contact Trip conversion kit.

### **1. SEQUENTIAL TRIP OPERATION (GRAY TRIGGER):**

The Sequential Trip (gray trigger) gets its name from the "sequence" required to drive a fastener. To drive a fastener, the operator must first depress the "trip" **FULLY** against the work surface and then pull the trigger. To drive a second nail, the operator must lift the tool from the work surface, release the trigger and then repeat the above sequence.

- 1. The Sequential Trip (gray trigger):** offers a positive safety advantage since it will not accidentally drive a fastener if the tool is bumped against any surface or anybody while the operator is holding the tools with the trigger pulled.
- 2. The Sequential Trip (gray trigger):** allows "place nailing" without the possibility of driving a second, unwanted fastener on recoil as described below under "Contact Trip".

### **2. CONTACT TRIP OPERATION (BLACK TRIGGER):**

Your new BOSTITCH tool can be configured for use in Contact Trip "Conventional trip" mode. To drive a nail, the "trip" and the trigger must both be depressed. In conventional Contact Trip tools, the trigger may be depressed and held, and each "contact" between the trip and the work surface will drive a nail.

- A. SINGLE FASTENER PLACEMENT (Place Nailing) --** First position the "trip" **FULLY** on the work surface, **WITHOUT PULLING THE TRIGGER**. Depress the "trip" **FULLY** until the nose of the tool touches the work surface and then pull the trigger to drive a nail. Do not press the tool against the work surface with extra force. Instead, allow the tool to recoil off the work surface to avoid a second unwanted fastener. **Note:** remove your finger from the trigger after each operation.
- B. RAPID FIRE OPERATION ("Bump" Nailing) --** First, hold the tool with the "trip" pointing towards but not touching the work surface. Pull the trigger and then tap or "bump" the trip against the work surface using a bouncing motion. Each depression of the "trip" will cause a nail to be driven.

## TOOL OPERATION (CONTINUED)

---

- ⚠WARNING:** The Contact Trip (black) will not prevent a nail from being accidentally driven if the trigger is depressed and the “trip” is bumped against any object or person. Never hold or carry the tool with your finger on the trigger. Only depress and hold trigger when you intend to rapidly drive multiple nails and the tool is pointed at the work surface.
- ⚠WARNING:** Never use contact trigger (black trigger) with metal connector attachment. Only use sequential trigger (gray trigger) with metal connector attachment. Refer to trigger conversion instruction included in the kit.
- ⚠WARNING:** When using conventional Contact Trip for Place Nailing, the tool may bounce due to recoil, and if the tool is allowed to re-contact the work surface while you are holding the trigger pulled, a second unwanted nail will be driven. You should allow the tool to recoil far enough to release the trip and avoid a second cycle. Don't push the tool down extra hard; let the tool do the work.
- ⚠WARNING:** The operator must not hold the trigger pulled on contact trip tools except during fastening operation, as serious injury could result if the trip accidentally contacted someone or something, causing the tool to cycle.
- ⚠WARNING:** Keep hands and body away from the discharge area of the tool. A contact trip tool may bounce from the recoil of driving a fastener and an unwanted second fastener may be driven, possibly causing injury.
- ⚠WARNING:** Never use rafter hook to hang tool from body, clothing or belt.

# OPERATING YOUR F21PL, F21PL2, F33PT & F33PTSM TOOL WITH METAL CONNECTOR ATTACHMENT

**WARNING:**



EYE PROTECTION which conforms to ANSI specifications and provides protection against flying particles both from the FRONT and SIDE should ALWAYS be worn by the operator and others in the work area when connecting to air supply, loading, operating or servicing this tool. Eye protection is required to guard against flying fasteners and debris, which could cause severe eye injury.

**WARNING:**

The employer and/or user must ensure that proper eye protection is worn. Eye protection equipment must conform to the requirements of the American National Standards Institute, ANSI Z87.1 and provide both frontal and side protection. NOTE: Non-side shielded spectacles and face shields alone do not provide adequate protection.

## IMPORTANT - READ CAREFULLY!

You and others working around you can be seriously injured by this tool if you do not follow the instructions provided on the tool and in the operation manual. Used properly, the tool provides an easy, safe, and efficient method for driving nails for all kinds of construction projects.

**NOTE:** Refer to your Operation Manual or Parts List if any of the terms used below are unfamiliar to you.

- MCN-KIT3 must be purchased separately for the F21PL2 to be used for fastening metal connectors.

## SEQUENTIAL TRIP

**WARNING:**

Never use contact trigger (black trigger) with metal connector attachment. Only use sequential trigger (gray trigger) with metal connector attachment. Refer to trigger conversion instruction included in the kit.

The BOSTITCH F21PL, F33PT & F33PTSM tools with Metal Connector Attachment come with the Sequential Trip (gray trigger) installed. This style of trigger:

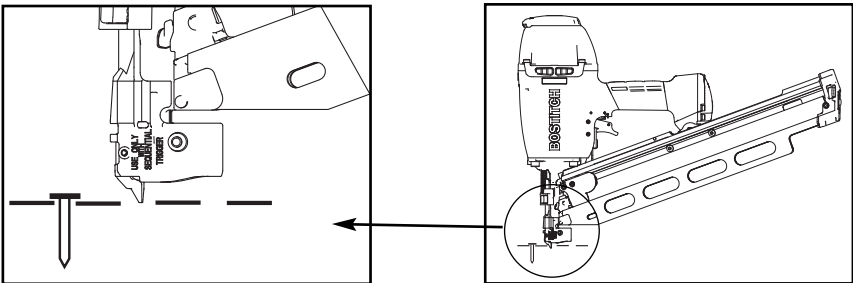
1. Offers a positive safety advantage since it will not accidentally drive a nail if the tool is bumped against any surface or anybody while the operator is holding the tool with the trigger pulled.
2. Allows Place Nailing without the possibility of driving a second nail on recoil.

The Sequential Trip (gray trigger) gets its name from the "sequence" required to operate the tool. To drive a nail, the operator must first depress the trip against the work surface and then pull the trigger. To drive a second nail, the operator must lift the tool from the work surface, release the trigger, and then repeat the above sequence.

**WARNING:**

**TO AVOID SERIOUS INJURY FROM FASTENERS AND FLYING DEBRIS WHEN INSTALLING METAL CONNECTORS USING THE F21PL, F21PL2, F33PT & F33PTSM WITH METAL CONNECTOR ATTACHMENT:**

- Always use the Metal Connector Attachment. (See installation instructions.)
- Only use sequential trip (gray trigger).
- Use only genuine BOSTITCH metal connector nails.
- Use only one stick of metal connector nails at a time.
- Metal connector nails are not designed to penetrate metal. When installing metal connectors, always place the Metal Connector Attachment Guide in the metal connector's pre-formed hole before attempting to drive a fastener



**WARNING:**

When installing Metal Connectors, use ONLY BOSTITCH Heat Treated Metal Connector Nails

## **TOOL OPERATION CHECK:**

---

**CAUTION:** Remove all fasteners from tool before performing tool operation check.

### **1. SEQUENTIAL TRIP OPERATION:**

- A. Press the contact trip against the work surface, without touching the trigger.  
**THE TOOL MUST NOT CYCLE.**
- B. Hold the tool off the work surface and pull the trigger.  
**THE TOOL MUST NOT CYCLE.**  
Release the trigger. The trigger must return to the trigger stop on the frame.
- C. Pull the trigger and press the contact trip against the work surface.  
**THE TOOL MUST NOT CYCLE.**
- D. With finger off the trigger, press the contact trip against the work surface. Pull the trigger.  
**THE TOOL MUST CYCLE.**

### **2. CONTACT TRIP OPERATION:**

- A. With finger off the trigger, press the contact trip against the work surface.  
**THE TOOL MUST NOT CYCLE.**
- B. Hold the tool off the work surface, and pull the trigger.  
**THE TOOL MUST NOT CYCLE.**
- C. With the tool off the work surface, pull the trigger. Press the contact trip against the work surface.  
**THE TOOL MUST CYCLE.**
- D. Without touching the trigger, press the contact trip against the work surface, then pull the trigger.  
**THE TOOL MUST CYCLE.**

## **IN ADDITION TO THE OTHER WARNINGS CONTAINED IN THIS MANUAL OBSERVE THE FOLLOWING FOR SAFE OPERATION**

- Use the BOSTITCH pneumatic tool only for the purpose for which it was designed.
- Never use this tool in a manner that could cause a fastener to be directed toward the user or others in the work area.
- Do not use the tool as a hammer.
- Always carry the tool by the handle. Never carry the tool by the air hose.
- Do not alter or modify this tool from the original design or function without approval from BOSTITCH
- Always be aware that misuse and improper handling of this tool can cause injury to yourself and others.
- Never clamp or tape the trigger or contact trip in an actuated position.
- Never leave a tool unattended with the air hose attached.
- Do not operate this tool if it does not contain a legible WARNING LABEL.
- Do not continue to use a tool that leaks air or does not function properly. Notify your nearest BOSTITCH representative if your tool continues to experience functional problems.

# **MAINTAINING THE PNEUMATIC TOOL**

**⚠WARNING:**

When working on air tools, note the warnings in this manual and use extra care evaluating problem tools.

**CAUTION:** Pusher spring (constant force spring). Caution must be used when working with the spring assembly. The spring is wrapped around, but not attached to, a roller. If the spring is extended beyond its length, the end will come off the roller and the spring will roll up with a snap, with a chance of pinching your hand. Also the edges of the spring are very thin and could cut. Care must also be taken to insure no permanent kinks are put in the spring as this will reduce the springs force.

## **REPLACEMENT PARTS:**

BOSTITCH replacement parts are recommended. Do not use modified parts or parts which will not give equivalent performance to the original equipment.

## **ASSEMBLY PROCEDURE FOR SEALS:**

When repairing a tool, make sure the internal parts are clean and lubricated. Use Parker "O"-LUBE or equivalent on all "O"-rings. Coat each "O"-ring with "O"-LUBE before assembling. Use a small amount of oil on all moving surfaces and pivots. After reassembly add a few drops of BOSTITCH Air Tool Lubricant through the air line fitting before testing.

## **AIR SUPPLY-PRESSURE AND VOLUME:**

Air volume is as important as air pressure. The air volume supplied to the tool may be inadequate because of undersize fittings and hoses, or from the effects of dirt and water in the system. Restricted air flow will prevent the tool from receiving an adequate volume of air, even though the pressure reading is high. The results will be slow operation, misfeeds or reduced driving power. Before evaluating tool problems for these symptoms, trace the air supply from the tool to the supply source for restrictive connectors, swivel fittings, low points containing water and anything else that would prevent full volume flow of air to the tool.

# TROUBLE SHOOTING

<b>PROBLEM</b>	<b>CAUSE</b>	<b>CORRECTION</b>
Trigger valve housing leaks air	O-ring cut or cracked	.Replace O-ring
Trigger valve stem leaks air	O-ring/seals cut or cracked	.Replace trigger valve assembly
Frame/nose leaks air	Loose nose screws	.Tighten and recheck
	O-ring or Gasket is cut or cracked	.Replace O-ring or gasket
	Bumper cracked/worn	.Replace bumper
Frame/cap leaks air	Damaged gasket or seal	.Replace gasket or seal
	Cracked/worn head valve bumper	.Replace bumper
	Loose cap screws	.Tighten and recheck
Failure to cycle	Air supply restriction	.Check air supply equipment
	Tool dry, lack of lubrication	.Use BOSTITCH Air Tool Lubricant
	Worn head valve O-rings	.Replace O-rings
	Broken cylinder cap spring	.Replace cylinder cap spring
	Head valve stuck in cap	.Disassemble/Check/Lubricate
Lack of power; slow to cycle	Tool dry, lacks lubrication	.Use BOSTITCH Air Tool Lubricant
	Broken cylinder cap spring	.Replace cap spring
	O-rings/seals cut or cracked	.Replace O-rings/seals
	Exhaust blocked	.Check bumper, head valve spring, muffler
	Trigger assembly worn/leaks	.Replace trigger assembly
	Dirt/tar build up on driver	.Disassemble nose/driver to clean
	Cylinder sleeve not seated correctly on bottom bumper	.Disassemble to correct
	Head valve dry	.Disassemble/lubricate
	Air pressure too low	.Check air supply equipment
Skipping fasteners; intermittent feed	Worn bumper	.Replace bumper
	Tar/dirt in driver channel	.Disassemble and clean nose and driver
	Air restriction/inadequate air flow through quick disconnect socket and plug	.Replace quick disconnect fittings
	Worn piston O-ring	.Replace O-ring, check driver
	Tool dry, lacks lubrication	.Use BOSTITCH Air Tool Lubricant
	Damaged pusher spring	.Replace spring
	Low air pressure	.Check air supply system to tool
	Loose magazine nose screws	.Tighten all screws
	Fasteners too short for tool	.Use only recommended fasteners
	Bent fasteners	.Discontinue using these fasteners
	Wrong size fasteners	.Use only recommended fasteners
	Leaking head cap gasket	.Tighten screws/replace gasket
	Trigger valve O-ring cut/worn	.Replace O-ring
	Broken/chipped driver	.Replace driver (check piston O-ring)
	Dry/dirty magazine	.Clean/lubricate use BOSTITCH Air Tool Lubricant
	Worn magazine	.Replace magazine
Fasteners jam in tool	Driver channel worn	.Replace nose
	Wrong size fasteners	.Use only recommended fasteners
	Bent fasteners	.Discontinue using these fasteners
	Loose magazine/nose screws	.Tighten all screws
	Broken/chipped driver	.Replace driver
Fastener misses metal connector hole (For F21PL, F33PT)	Broken / chipped guide	.Replace guide
	Broken / missing 158457 torsion spring	.Replace torsion spring (grease before installation)
	Broken Pendulum	.Replace pendulum and torsion spring
	Broken 158455 pin	.Replace pin and torsion spring

# INTRODUCCIÓN

Las herramientas BOSTITCH son herramientas construidas a precisión, diseñadas para clavar con exactitud un alto volumen de clavos. Estas herramientas entregan un servicio eficiente y fiable cuando se usan correctamente y con cuidado. Al igual que con toda herramienta automática de calidad, deben seguirse las instrucciones del fabricante para obtener el óptimo rendimiento. Estudie este manual antes de operar la herramienta y tome nota de las advertencias y precauciones de seguridad. Deben leerse en detalle las instrucciones sobre la instalación, operación y mantenimiento, y debe conservarse el manual para referencia. NOTA: Pueden necesitarse medidas adicionales de seguridad según la aplicación particular de la herramienta. Diríjase al representante o distribuidor de Bostitch si tiene alguna pregunta referente a la herramienta y su uso. BOSTITCH, East Greenwich, Rhode Island 02818

## ÍNDICE

Instrucciones de seguridad .....	16
Especificaciones de la herramienta .....	17
Suministro de aire: Accesorios, mangueras, filtros, consumo de aire, reguladores, Presión operativa, ajuste de la presión correcta .....	17, 18
Lubricación .....	18
Carga de la herramienta, .....	19
Instalación de la vara de guía.....	19
Ajuste de control de profundidad del clavo .....	20
Extracción de clavos, escape direccional .....	20
Instalación del aditamento para el conector de metal .....	21
Funcionamiento de la herramienta .....	22, 23, 24 & 25
Mantenimiento de la herramienta neumática .....	26
Solución de problemas .....	27

## NOTA:

Las herramientas BOSTITCH se han diseñado para brindar una satisfacción excelente al cliente y lograr máximo rendimiento al utilizarse con fijaciones de precisión Bostitch diseñadas con las mismas normas estrictas. **La F33PT, F33PTSM, con el brazo de contacto estándar de enmarcado está diseñada para usarse con barras de papel de clavos de 33°.** La F33PT, F33PTSM, con el aditamento para conectores de metal instalado, está diseñada para usarse con clavos de 35° de conector metálico BOSTITCH. La F21PL y la F21PL2, con el brazo de contacto estructural estándar están diseñadas para usarse con barras plásticas secuenciales de clavos de 21°. La F21PL y la F21PL2, con el aditamento opcional para conectores de metal instalado, están diseñadas para usarse con clavos de conector metálico Bostitch de 23°. BOSTITCH no puede asumir responsabilidad alguna por el rendimiento del producto si se utilizan nuestras herramientas con fijaciones o accesorios que no reúnen los requisitos específicos establecidos para los clavos, grapas y accesorios genuinos de BOSTITCH.



## GARANTÍA LIMITADA – Sólo EE.UU. y Canadá

A partir del 1 de diciembre de 2005 Bostitch, L.P. garantiza al comprador del comerciante original que el producto comprado está exento de defectos en material y fabricación, y se compromete a reparar o reemplazar, a opción de Bostitch, cualquier engrapadora o clavadora neumática defectuosa de marca Bostitch por un período de siete (7) años desde la fecha de compra (un (1) año de la fecha de compra en el caso de compresores y herramientas utilizadas en aplicaciones de producción). La garantía no es transferible. Se requiere presentar evidencia de la fecha de compra. Esta garantía solamente cubre daños resultantes de defectos en material o fabricación, y no cubre condiciones o desperfectos resultantes del desgaste normal, negligencia, abuso, accidente o reparaciones intentadas o efectuadas por terceros ajenos a nuestro centro nacional de reparaciones o a los centros de servicio bajo garantía. Las aspas del impulsor, topes, juntas tóricas, pistones y aros de pistones se consideran componentes de desgaste normal. Para obtener el rendimiento óptimo de la herramienta Bostitch siempre use fijaciones y piezas de repuesto genuinas de Bostitch.

ESTA GARANTÍA SUSTITUYE TODA OTRA GARANTÍA, EXPRESA O IMPLÍCITA, INCLUIDAS ENTRE OTRAS, LAS GARANTÍAS IMPLÍCITAS DE COMERCIABILIDAD O IDONEIDAD PARA UN FIN PARTICULAR. BOSTITCH NO SERÁ RESPONSABLE DE DAÑOS FORTUITOS O CONSECUENCIALES.

Algunos estados y países no permiten limitaciones a la duración de una garantía implícita ni la exclusión o limitación de daños fortuitos o consecuenciales, de modo que las limitaciones o exclusiones anteriores pueden no corresponder a su caso. Esta garantía le concede derechos legales específicos, y usted puede tener también otros derechos que varían de un estado a otro y de un país a otro.

Para obtener servicio bajo garantía en los EE.UU. devuelva el producto, junto con el comprobante de compra, al Centro de Servicio bajo Garantía Autorizado Independiente Nacional o Regional de Bostitch en los EE.UU. Dentro de los EE.UU. usted puede llamarnos al 1-800-556-6696 o visitar [www.BOSTITCH.com](http://www.BOSTITCH.com) para ver la ubicación que más le convenga. En Canadá llámenos al 1-800-567-7705 o visite [www.BOSTITCH.com](http://www.BOSTITCH.com).

# INSTRUCCIONES DE SEGURIDAD

## ADVERTENCIA:

Cuando el equipo está conectado al suministro de aire, tanto el operador como todas las personas que se encuentren en el área de trabajo, SIEMPRE deben usar PROTECCIÓN OCULAR que cumpla las especificaciones ANSI para resguardo contra partículas volantes arrojadas desde el FRENTE o los LATERALES. Dicha protección ocular se requiere para proteger contra residuos y remaches volantes, que podrían causar graves lesiones en los ojos.



El empleador y/o usuario debe asegurar que la debida protección para los ojos sea usada. El equipo protector de los ojos debe cumplir con los requisitos del Instituto de Normas Nacionales Americano (American National Standards Institute), ANSI Z87.1 y debe proveer protección de frente y de los lados. NOTA: Las gafas de seguridad que no están protegidas de los lados y las máscaras por sí solas no proveen la debida protección.



**PRECAUCIÓN:** En algunos entornos será necesaria protección de seguridad adicional. Por ejemplo, es posible que el área de trabajo incluya la exposición a niveles de ruido que pueden dañar el oído. El empleador y el usuario deben asegurarse de que cualquier protección necesaria para los oídos sea provista y utilizada por el operador y demás personas en el área de trabajo. Algunos entornos requieren el uso de aparatos de protección para la cabeza. Cuando sea necesario, el empleador y el usuario deben asegurarse de que se utilice protección para la cabeza en conformidad con la norma ANSI Z89.1.

## SUMINISTRO DE AIRE Y CONEXIONES

### ADVERTENCIA:

No utilice oxígeno ni gases combustibles o embotellados como fuente de suministro para esta herramienta, ya que la herramienta puede estallar, posiblemente causando lesiones.

### ADVERTENCIA:

No utilice fuentes de suministro que potencialmente excedan las 14 Kg/cm<sup>2</sup> (13,8 bars) ya que la herramienta puede estallar, posiblemente causando lesiones.

### ADVERTENCIA:

El conector de la herramienta no debe tener presión al desconectarse el suministro de aire. Si se utiliza una conexión equivocada, la herramienta puede permanecer cargada con aire después de ser desconectada y por lo tanto podrá impulsar un sujetador aún después de que la línea de aire sea desconectada, posiblemente causando lesiones.

### ADVERTENCIA:

No hale el gatillo ni oprima el brazo de contacto mientras la herramienta esté conectada al suministro de aire ya que la herramienta puede ciclarse, posiblemente causando lesiones.

### ADVERTENCIA:

Siempre desconecte el suministro de aire: 1.) Antes de efectuar ajustes; 2.) Al hacerle servicio a la herramienta; 3.) Al despejar un atascamiento; 4.) Cuando la herramienta no esté en uso; 5.) Al mudarse de un área distinta de trabajo, ya que se puede activar accidentalmente, posiblemente causando lesiones.

## AL CARGAR LA HERRAMIENTA

### ADVERTENCIA:

Al cargar la herramienta: 1.) Nunca coloque una mano o cualquier otra parte del cuerpo en el área de descarga del sujetador de la herramienta; 2.) Nunca apunte la herramienta hacia otra persona; 3.) No hale el gatillo ni oprima el disparador ya que se puede activar accidentalmente, posiblemente causando lesiones.

## OPERACIÓN

### ADVERTENCIA:

Siempre maneje la herramienta con cuidado. 1.) Nunca participe en juegos rudos con la herramienta; 2.) Nunca hale el gatillo al menos que la nariz esté apuntada hacia el trabajo; 3.) Mantenga a las demás personas a una distancia segura de la herramienta mientras la herramienta esté en operación ya que se puede activar accidentalmente, causando posibles lesiones.

### ADVERTENCIA:

No mantenga el gatillo halado en las herramientas del brazo de contacto, salvo durante la operación de engrapado, ya que pueden resultar serias lesiones si el disparador accidentalmente se pusiera en contacto con alguien o con algo, causando que se cicle la herramienta.

### ADVERTENCIA:

Mantenga las manos y el cuerpo alejados del área de descarga de la herramienta. Una herramienta con brazo de contacto puede rebotar debido a la reculada al impulsar un sujetador y se puede impulsar accidentalmente un segundo sujetador, causando posibles lesiones.

### ADVERTENCIA:

Verifique la operación del mecanismo del brazo de contacto frecuentemente. No utilice la herramienta si el brazo no está funcionando correctamente ya que se puede impulsar accidentalmente otro sujetador. No interfiera con la debida operación del mecanismo del brazo de contacto.

### ADVERTENCIA:

No meta los sujetadores encima de otros sujetadores o teniendo la herramienta demasiado inclinada ya que esto podría causar que los sujetadores se desviaran, y a su vez causaran lesiones.

### ADVERTENCIA:

No meta los sujetadores cerca del borde de la pieza de trabajo porque la madera podría separarse, lo que permitiría que el sujetador se desviara y causara lesiones.

### ADVERTENCIA:

Esta clavadora produce CHISPAS durante la operación. NUNCA use la clavadora cerca de sustancias, gases ni vapores inflamables, incluidos diluyentes, lacas, pintura, bencina, gasolina, adhesivos, mástique, pegamentos ni ningún otro material que sea inflamable, combustible o explosivo – o vapores, emanaciones o subproductos que puedan serlo. Si se usa la clavadora en cualquier ambiente de este tipo podría causar una EXPLOSION produciendo lesiones físicas o fatales para el usuario y las personas en la cercanía.

### ADVERTENCIA:

Nunca use un gancho de vigas para colgarse la herramienta del cuerpo, la ropa o el cinturón.



# MANTENIMIENTO DE LA HERRAMIENTA



Tome nota de las advertencias en este manual al trabajar con herramientas neumáticas y tenga mayor cuidado al evaluar herramientas problemáticas.

## ESPECIFICACIONES DE LA HERRAMIENTA SERIE F

Todos los tornillos y tuercas son métricos.

MODELO	HERRAMIENTA ACCIONAMIENTO	LARGO	ALTURA	ANCHO	PESO
F28WW	Disparo secuencial con Opción de disparo de contacto	508 mm (20")	355 mm (14")	133 mm (5-1/4")	3.5 kg. (7.8 lb.)
F21PL	Disparo secuencial con MCN y Opción de disparo de contacto	517 mm (20-3/8")	355 mm (14")	133 mm (5-1/4")	3.7 kg. (8.1 lb.)
F21PL2	Disparo secuencial con Opción de disparo de contacto	517 mm (20-3/8")	355 mm (14")	133 mm (5-1/4")	3.7 kg. (8.1 lb.)
F33PT	Disparo secuencial con MCN y Opción de disparo de contacto	457 mm (18")	355 mm (14")	133 mm (5-1/4")	3.6 kg. (8.0 lb.)
F33PTSM	Disparo secuencial con MCN y Opción de disparo de contacto	360 mm (14-3/16")	355 mm (14")	133 mm (5-1/4")	3.6 kg. (7.9 lb.)

### ESPECIFICACIONES DE CLAVOS:

**F28WW:** Usa una barra de alambre secuencial de clavos de 28°, en longitudes de 50-90 mm (2 a 3-1/2 pulgadas) y diámetros de espiga de 2.8 -3.3 mm (0.113 a 0.131 pulgadas)

#### F21PL / F21PL2:

- con el brazo de contacto estándar de enmarcado instalado: Usa una barra plástica secuencial de clavos de 21° de cabeza redonda, en longitudes de 50-90 mm (2 a 3-1/2 pulgadas) y diámetros de espiga de 2.8 - 4.1 mm (0.113 a 0.162 de pulgada).
- (Se incluye SÓLO con la F21PL) con el aditamento para conectores de metal instalado: Usa una barra plástica secuencial de clavos de 23° de conector metálico de cabeza redonda, en longitudes de 38-64 mm (1 1/2 y 2-1/2 pulgadas) y diámetros de espiga de 3.3 mm, 3.8 mm y 4.1 mm (0.131, 0.148 y 0.162 de pulgada)
- Debe comprarse el MCN-KIT3 por separado para poder utilizar la F21PL2 para instalar conectores de metal.

**NOTA:** Use solamente una barra de clavos de conector de metal a la vez.

#### F33PT / F33PTSM:

- con el brazo de contacto estándar de enmarcado instalado: Usa una barra de papel secuencial de clavos de 33°, en longitudes de 50-90 mm (2 a 3-1/2 pulgadas) y diámetros de espiga de 2.8 -3.3 mm (0.113 a 0.131 de pulgada)
- con el aditamento para el conector de metal instalado: Usa una barra papel secuencial de clavos de 35° de conector metálico de cabeza redonda, en longitudes de 38-64 mm (1 1/2 y 2-1/2 pulgadas) y diámetros de espiga de 3.3 mm, 3.8 mm, 4.1 mm (0.131, 0.148 y 0.162 de pulgada)

**NOTA:** Use solamente una barra de clavos de conector de metal a la vez.

### CONECTOR DE AIRE DE LA HERRAMIENTA:

Esta herramienta usa un enchufe macho N.P.T. de 6.4 mm (1/4 de pulgada). El diámetro interno debe ser de 7 mm (0.275 de pulgada) o más. El conector debe ser capaz de descargar la presión de aire de la herramienta al desconectarse del suministro de aire.

### PRESIÓN OPERATIVA:

4.9 a 8.4 kg/cm<sup>2</sup> (70 a 120 p.s.i.g.). Seleccione la presión operativa dentro de esta gama para lograr el óptimo rendimiento. **NO SUPERE ESTA PRESIÓN OPERATIVA RECOMENDADA.**

### CONSUMO DE AIRE:

La F21PL / F21PL2 / F28WW / F33PT / F33PTSM necesita 247 litros por minuto (8.7 pies cúbicos por minuto) de aire libre para funcionar a razón de 100 clavos por minuto, a "5.6 kg/cm<sup>2</sup> (80 p.s.i.)". Tome la velocidad real con la cual operará la herramienta para determinar la cantidad de aire necesaria. Por ejemplo, si el uso promedia 50 clavos por minuto, necesita el 50% de los 247 litros por minuto (8.7 pies cúbicos por minuto) que se necesitan para usar la herramienta a razón de 100 clavos por minuto.

## FUNCIONAMIENTO

BOSTITCH OFRECE DOS MODOS DE OPERACIÓN PARA HERRAMIENTAS DE ESTA SERIE.

### DISPARO SECUENCIAL (Gatillo gris):

El disparo secuencial exige que el operador sostenga la herramienta contra la superficie de trabajo antes de accionar el gatillo. Esto facilita la colocación precisa de la fijación, por ejemplo en enmarcado, clavado de bordes y aplicaciones de embalajes. El disparo secuencial permite la ubicación exacta de la fijación sin la posibilidad de impulsar una segunda fijación al rebotar, como se describe en "Disparo de contacto". La herramienta de disparo secuencial tiene una ventaja positiva de seguridad porque no aplica accidentalmente una segunda fijación si la herramienta toma contacto con la superficie de trabajo, o con otra cosa, mientras el operador mantiene el gatillo accionado.

### DISPARO DE CONTACTO (Gatillo negro):

El procedimiento operativo común en las herramientas con "Disparo de contacto" es que el operador tome contacto con la superficie de trabajo para activar el mecanismo de disparo manteniendo el gatillo accionado, aplicando así cada fijación cuando se toma contacto con la superficie. Esto permitirá colocar fijaciones más rápidamente en muchos trabajos, como en el caso de enfundados, entablados y ensamblaje de paletas. Todas las herramientas neumáticas pueden rebotar al aplicar fijaciones. La herramienta puede rebotar, liberando el disparo, y si se le permite involuntariamente tomar contacto con la superficie nuevamente con el gatillo todavía accionado (estando el dedo todavía sujetando el gatillo) saldrá otra fijación.

# FUNCIONAMIENTO (continuación)

## IDENTIFICACIÓN DEL MODELO:

Consulte las Instrucciones de operación en la página 22 antes de proceder a usar esta herramienta.

### DISPARO SECUENCIAL

Identificado por:  
GATILLO GRIS



### DISPARO DE CONTACTO

Identificado por:  
GATILLO NEGRO



## SUMINISTRO DE AIRE Y CONEXIONES

**ADVERTENCIA:** No use oxígeno, gases combustibles ni gases envasados en cilindros para operar esta herramienta porque puede explotar, causando posibles lesiones.

### CONECTORES:

Instale un enchufe macho en la herramienta que está fluyendo libremente y que liberará presión de aire de la herramienta al desconectarse de la fuente de alimentación.

### MANGUERAS:

Las mangueras de aire deben tener un mínimo de 10.6 kg/cm<sup>2</sup> (150 p.s.i.) de capacidad nominal de presión de trabajo o un 150 por ciento de la presión máxima que podría producirse en el sistema de aire. La manguera de suministro debe contar con un conector de "desconexión rápida" del enchufe macho en la herramienta.

### FUENTE DE SUMINISTRO:

Use solamente aire comprimido regulado limpio como fuente de energía para esta herramienta. **NUNCA USE OXÍGENO, GASES COMBUSTIBLES O GASES ENVASADOS EN CILINDROS COMO FUENTE DE ENERGÍA PARA ESTA HERRAMIENTA, PUES LA HERRAMIENTA PUEDE EXPLOTAR.**

### REGULADOR:

Se necesita un regulador de presión con una presión operativa de 0 - 8.79 kg/cm<sup>2</sup> (0 - 125 p.s.i.) para controlar la presión operativa con el fin de que la herramienta funcione en forma segura. No conecte esta herramienta a la presión de aire que potencialmente pueda superar 14 kg/cm<sup>2</sup> (200 p.s.i.) pues la herramienta puede fracturarse o explotar, causando posibles lesiones.

### PRESIÓN OPERATIVA:

No supere la presión operativa máxima recomendada porque aumentará considerablemente el desgaste de la herramienta. El suministro de aire debe ser capaz de mantener la presión operativa de la herramienta. Las caídas de presión en el suministro de aire pueden reducir la energía impulsora de la herramienta. Consulte las "ESPECIFICACIONES DE LA HERRAMIENTA" para establecer la presión operativa correcta de la herramienta.

### FILTRO:

La suciedad y el agua en el suministro de aire son las causas principales de desgaste en las herramientas neumáticas. Resultará útil un filtro para obtener el mejor rendimiento y minimizar el desgaste de la herramienta. El filtro debe tener una capacidad de flujo adecuada para la instalación específica. El filtro debe mantenerse limpio para ser eficaz en el suministro de aire comprimido limpio a la herramienta. Consulte las instrucciones del fabricante para ver el mantenimiento adecuado del filtro. Si el filtro está sucio y obstruido ocasionará una caída de presión que a su vez reduce el rendimiento de la herramienta.

## LUBRICACIÓN

Se necesita una lubricación frecuente, pero no excesiva, para obtener el óptimo rendimiento. Use el Lubricante para herramientas neumáticas BOSTITCH, Mobil Velocite #10 u otro equivalente. No use aceite ni aditivos detergentes porque estos lubricantes causarán un desgaste acelerado a los sellos y topes de la herramienta, ocasionando un rendimiento deficiente y mantenimiento frecuente de la herramienta. Solamente se necesitan unas pocas gotas de aceite a la vez. El exceso de aceite se acumulará dentro de la herramienta y se notará en el ciclo de escape.

### FUNCIONAMIENTO EN CLIMA FRÍO:

Para el funcionamiento en clima frío, cerca o bajo cero grados centígrados, la humedad de la línea de aire puede congelarse e impedir el funcionamiento de la herramienta. Recomendamos el uso del lubricante invernal para herramientas neumáticas BOSTITCH winter formula o anticongelante permanente (etilenglicol) como lubricante en clima frío.

**PRECAUCIÓN:** No guarde herramientas en un ambiente de clima frío para evitar la formación de escarcha o hielo en las válvulas y mecanismos de funcionamiento de las herramientas que pudieran ocasionarles fallas.

**NOTA:** Algunos líquidos comerciales secantes de línea de aire son dañinos para las juntas tóricas y sellos – no use estos secadores de aire de baja temperatura sin revisar la compatibilidad.

# CARGA DE LAS HERRAMIENTAS SERIE F

**ADVERTENCIA:** Al cargar, operar o dar servicio a esta herramienta, el operador y los demás presentes en el área de trabajo deben usar **SIEMPRE PROTECCIÓN DE LOS OJOS** en conformidad con las especificaciones ANSI y que proteja contra partículas que vuelen por DELANTE y por el LADO, cuando se haga la conexión al suministro de aire. Se exige protegerse la vista para resguardarse contra fijaciones o residuos que vuelen, lo cual puede causar lesiones graves a los ojos.



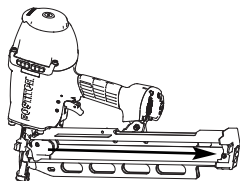
**ADVERTENCIA:** El empleador y/o el usuario deben asegurar que se protejan debidamente los ojos. El equipo de protección ocular debe estar en conformidad con los requisitos del Instituto Nacional Americano de Normas (American National Standards Institute), ANSI Z87.1 y proteger por delante y por el costado.

**NOTA:** Las gafas o caretas sin protección lateral por sí solas no dan una protección adecuada.

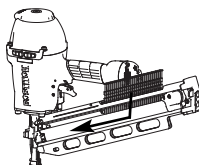
## PARA PREVENIR LESIONES ACCIDENTALES:

- Nunca coloque la mano ni ninguna parte del cuerpo en el área de descarga de clavos de la herramienta mientras esté conectado el suministro de aire.
- Nunca apunte la herramienta hacia una persona.
- Nunca participe en juegos rudos.
- Nunca accione el gatillo a menos que la punta esté dirigida hacia el trabajo.
- Siempre maneje la herramienta con cuidado.
- No accione el gatillo ni oprima el mecanismo de disparo mientras carga la herramienta.

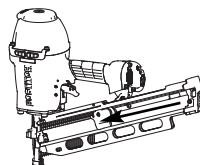
## F21PL, F21PL2, F28WW, F33PT, F33PTSM



**1. Abra el depósito:**  
Mueva hacia atrás el empujador para enganchar el pestillo.



**2. Cargue los clavos:** Sostenga la clavadora hacia abajo con el depósito inclinado hacia abajo. Inserte la barra de clavos.



**3. Cierre el depósito:** Libere el empujador primero moviéndolo hacia atrás y presionando después la lengüeta de liberación del mismo. Deslice el empujador contra los clavos.

**NOTA:** Use solamente clavos recomendados para usarse con las clavadoras enmarcadoras de BOSTITCH o clavos que reúnan las especificaciones de BOSTITCH.

**ADVERTENCIA:** Al instalar conectores de metal con la F21PL, F21PL2, F33PT ó F33PTSM: use solamente una barra de clavos de conector de metal a la vez.

**ADVERTENCIA:** Nunca use el gatillo de contacto (gatillo negro) con el aditamento para conector de metal. Solamente use el disparo secuencial (gatillo gris) con el aditamento para el conector de metal. Consulte la instrucción de conversión de gatillo que se incluye en el juego.

**ADVERTENCIA:** Al instalar los conectores de metal, use SOLAMENTE los clavos de conector de metal con tratamiento térmico BOSTITCH

**ADVERTENCIA:** Nunca use un gancho de vigas para colgarse la herramienta del cuerpo, la ropa o el cinturón.

## INSTALACIÓN Y DESMONTAJE DE LA VARA DE GUÍA DE LAS HERRAMIENTAS F21PL, F21PL2, Y F33PT, F33PTSM:

Fig. 1

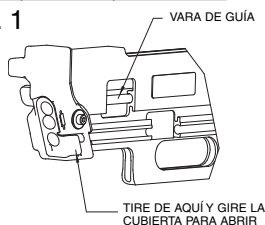


Fig. 2

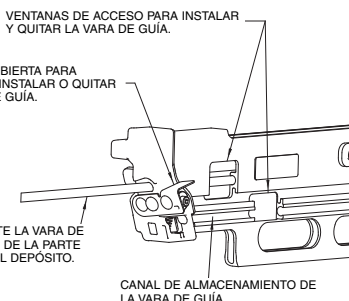
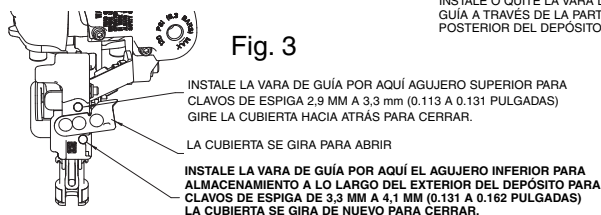


Fig. 3



# AJUSTE DEL CONTROL DE PROFUNDIDAD DEL CLAVO

Al usar el brazo de contacto de enmarcado:

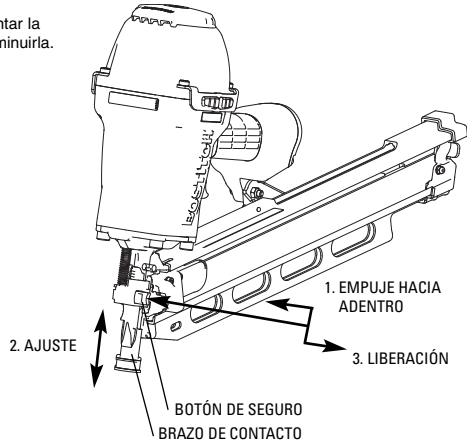
La función de ajuste del control de profundidad del clavo permite regular el impulso del clavo desde un nivel al ras o justo sobre la superficie de trabajo hasta avellanado leve o profundo.

## PARA AJUSTAR EL CONTROL DE PROFUNDIDAD DEL CLAVO:

**ADVERTENCIA:** Desconecte la herramienta del suministro de aire antes de intentar desarmar piezas y antes de cambiar el ajuste del elemento de contacto con la superficie de trabajo.

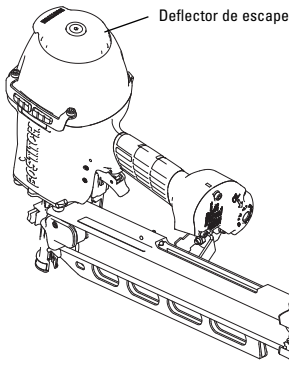
1. Empuje el botón de seguro hacia adentro.
2. Ajuste el brazo de contacto hacia arriba para aumentar la profundidad de la aplicación o hacia abajo para disminuirla.
3. Libere el botón de seguro.

**Nota:** El aditamento para conectores de metal no es ajustable en cuanto al control de profundidad.



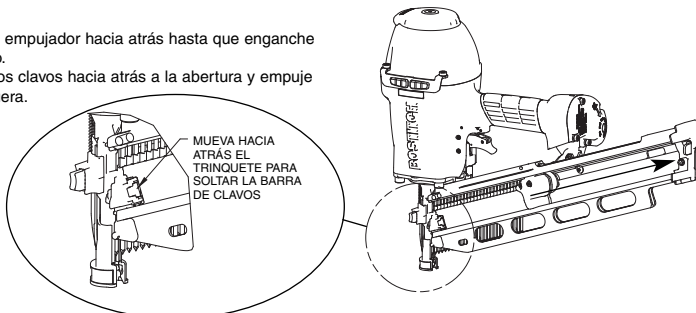
# DEFLECTOR DE ESCAPE DIRECCIONAL

Puede girarse el deflector de escape a cualquier posición deseada manualmente sin usar herramientas.



# EXTRACCIÓN DE CLAVOS

1. Mueva el empujador hacia atrás hasta que enganche el pestillo.
2. Deslice los clavos hacia atrás a la abertura y empuje hacia afuera.



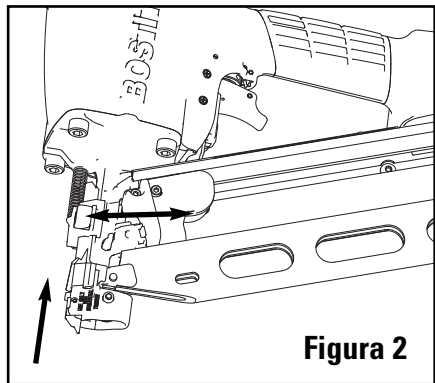
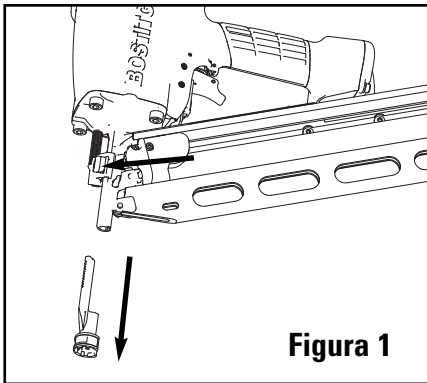
# INSTALACIÓN DEL JUEGO DE ADITAMENTO PARA CONECTORES DE METAL EN SU HERRAMIENTA BOSTITCH F21PL / F21PL2 / F33PT / F33PTSM

- ADVERTENCIA:** Desconecte la herramienta del suministro de aire antes de intentar desarmar piezas y antes de cambiar el elemento de contacto con la superficie de trabajo.
- ADVERTENCIA:** Nunca use el gatillo de contacto (gatillo negro) con el aditamento para conector de metal. Solamente use el disparo secuencial (gatillo gris) con el aditamento para el conector de metal. Consulte la instrucción de conversión de gatillo que se incluye en el juego.
- ADVERTENCIA:** Al instalar los conectores de metal, use **SOLAMENTE** los clavos de conector de metal con tratamiento térmico BOSTITCH

- Presione hacia adentro el botón de seguro. (Vea la figura 1)
- Deslice el brazo de contacto hacia abajo hasta que se separe fácilmente de la herramienta.
- Empuje el botón de seguro hacia adentro y deslice completamente el aditamento del conector de metal en la herramienta según se ilustra en la figura 2.
- Libere el botón de seguro.
- Revise que el aditamento para conectores de metal esté instalado en la posición totalmente hacia arriba y que el botón de seguro haya vuelto a la posición de liberación.

**NOTA:** El aditamento para conectores de metal no es ajustable en cuanto al control de profundidad.

- Debe comprarse el MCN-KIT3 por separado para poder utilizar la F21PL2 para instalar conectores de metal
- Revise que el aditamento para conectores de metal se mueva ahora libremente hacia arriba y hacia abajo. De lo contrario, **NO LO USE**. Pida servicio para la herramienta y el aditamento para conectores de metal a un centro de servicio.
- Invierta el procedimiento para desmontar el aditamento para conectores de metal e instalar el brazo de contacto inferior estándar de enmarcado.



- ADVERTENCIA:** Siempre revise que el brazo inferior de contacto o el aditamento para conectores de metal se mueva libremente antes de usar la herramienta. Si se producen atascos, repita el procedimiento de ensamblaje o pida servicio para la herramienta en un centro autorizado de BOSTITCH. Para averiguar la dirección llame al: 1-800-556-6696

Si necesita más información, llame al Servicio a clientes de BOSTITCH al 1-800-556-6696 o escriba a: BOSTITCH Customer Service, Briggs Drive, East Greenwich, RI 02818.

# FUNCIONAMIENTO DE LA HERRAMIENTA

## ⚠ ADVERTENCIA:

Al cargar, operar o dar servicio a esta herramienta, el operador y los demás presentes en el área de trabajo deben usar SIEMPRE **PROTECCIÓN DE LOS OJOS** en conformidad con las especificaciones ANSI y que proteja contra partículas que vuelen por DELANTE y por el LADO, cuando se haga la conexión al suministro de aire. Se exige protegerse la vista para resguardarse contra fijaciones o residuos que vuelen, lo cual puede causar lesiones graves a los ojos.



El empleador o el usuario deben asegurar que se protejan debidamente los ojos. El equipo de protección ocular debe estar en conformidad con los requisitos del Instituto Nacional Americano de Normas (American National Standards Institute), ANSI Z87.1 y proteger por delante y por el costado. NOTA: Las gafas o caretas sin protección lateral por sí solas no dan una protección adecuada.

## **ANTES DE MANIPULAR U OPERAR ESTA HERRAMIENTA:**

- I. LEA DETALLADAMENTE LAS ADVERTENCIAS CONTENIDAS EN ESTE MANUAL.
- II. CONSULTE LAS "ESPECIFICACIONES DE LA HERRAMIENTA" EN ESTE MANUAL PARA IDENTIFICAR EL SISTEMA OPERATIVO DE LA HERRAMIENTA.

Hay dos modos de operación disponibles en estas herramientas neumáticas BOSTITCH. Estos son:

1. OPERACIÓN DEL DISPARO SECUENCIAL
2. OPERACIÓN DEL DISPARO DE CONTACTO

## FUNCIONAMIENTO

BOSTITCH le ofrece dos tipos de disparos para herramientas neumáticas: Disparo secuencial (gatillo gris) y disparo de contacto (gatillo negro). Cada gatillo tiene ventajas específicas. Debe evaluar su proyecto de construcción en particular para determinar qué gatillo es el mejor.

Su herramienta se envió de fábrica en la configuración de Disparo secuencial (gatillo gris). Puede convertirse fácilmente al modo de operación de gatillo de contacto (gatillo negro) usando este paquete de conversión.

### **1. FUNCIONAMIENTO DEL DISPARO SECUENCIAL (GATILLO GRIS):**

El disparo secuencial (gatillo gris) se llama así por la "secuencia" que se necesita impulsar una fijación. Para instalar una fijación, el operador debe presionar primero el disparo COMPLETAMENTE contra la superficie de trabajo y luego accionar el gatillo. Para instalar un segundo clavo, el operador debe levantar la herramienta de la superficie, soltar el gatillo y luego repetir la secuencia anterior.

1. **El disparo secuencial (gatillo gris):** ofrece una ventaja de seguridad positiva dado que no instala accidentalmente una fijación si se golpea la herramienta contra alguna superficie o persona mientras el operador la esté sosteniendo con el gatillo accionado.
2. **El disparo secuencial (gatillo gris):** permite el "clavado de colocación" sin la posibilidad de poner un segundo clavo no deseado por rebote como se describe en "Disparo de contacto".

### **2. FUNCIONAMIENTO DEL DISPARO DE CONTACTO (GATILLO NEGRO):**

Su nueva herramienta Bostitch se puede configurar fácilmente para usar en el modo Disparo de contacto "Gatillo convencional". Para impulsar un clavo, deben presionarse tanto el "disparo" como el gatillo. En las herramientas de disparo de contacto, el gatillo debe presionarse y mantenerse presionado y cada "contacto" entre el disparo y la superficie de trabajo impulsará un clavo.

**A. COLOCACIÓN DE UNA SOLA FIJACIÓN (Clavado de colocación)** -- Primero ubique el "disparo" COMPLETAMENTE sobre la superficie de trabajo, SIN ACCIONAR EL GATILLO. Oprima el "disparo" COMPLETAMENTE hasta que la punta de la herramienta toque la superficie de trabajo y luego accione el gatillo para aplicar la fijación. No presione la herramienta contra la superficie de trabajo con más fuerza. En cambio, deje que la herramienta se separe de la superficie de trabajo para evitar que salga otro clavo. Nota: quite el dedo del gatillo después de cada operación.

**B. OPERACIÓN DE DISPARO RÁPIDO ("Clavado por impacto")** – Primero, sostenga la herramienta con el "disparo" apuntando hacia la superficie de trabajo pero sin tocarla. Accione el gatillo y luego golpee o "impacte" el disparo de contacto contra la superficie de trabajo usando un movimiento de rebote. Cada vez que se presione el "disparo" saldrá un clavo.

## **FUNCIONAMIENTO DE LA HERRAMIENTA (CONTINUACIÓN)**

- ⚠ ADVERTENCIA:** El disparo de contacto (negro) no evitará que se instale accidentalmente un clavo si se mantiene presionado el gatillo y se toca el disparador contra algún objeto o alguna persona. Nunca sostenga ni transporte la herramienta con el dedo en el gatillo. Solamente oprima y mantenga oprimido el gatillo cuando tenga la intención de impulsar varios clavos y la herramienta esté apuntando a la superficie de trabajo.
- ⚠ ADVERTENCIA:** Nunca use el gatillo de contacto (gatillo negro) con el aditamento para conector de metal. Solamente use el disparo secuencial (gatillo gris) con el aditamento para el conector de metal. Consulte las instrucciones de conversión de gatillo que se incluyen en el juego.
- ⚠ ADVERTENCIA:** Al usar el disparador de contacto convencional para el clavado de colocación, la herramienta puede rebotar debido al rebote, y si se permite que la herramienta vuelva a tomar contacto con la superficie de trabajo mientras sostiene accionado el gatillo, se instalará otro clavo no deseado. Debe permitir que la herramienta rebote una distancia suficiente para liberar el disparador y evitar un segundo ciclo. No empuje la herramienta hacia abajo con mucha fuerza; deje que la herramienta haga el trabajo.
- ⚠ ADVERTENCIA:** El operador no debe sostener el gatillo accionado en las herramientas con disparo de contacto salvo durante la aplicación de fijaciones ya que pueden ocurrir lesiones graves si el disparo tomara contacto accidentalmente con algo o alguien, ocasionando que la herramienta haga un ciclo.
- ⚠ ADVERTENCIA:** Mantenga las manos y el cuerpo alejados del área de descarga de la herramienta. Una herramienta con disparo de contacto puede rebotar al aplicar una fijación haciendo salir otra, causando posibles lesiones.
- ⚠ ADVERTENCIA:** Nunca use un gancho de vigas para colgarse la herramienta del cuerpo, la ropa, o el cinturón.

# OPERACIÓN DE LAS HERRAMIENTAS CLAVADORAS DE ENMARCADO F21PL, F21PL2, F33PT Y F33PTSM CON ADITAMENTO CONECTOR DE METAL

## ⚠ ADVERTENCIA:

Al cargar, operar o dar servicio a esta herramienta, el operador y los demás presentes en el área de trabajo deben usar **SIEMPRE PROTECCIÓN DE LOS OJOS** en conformidad con las especificaciones ANSI y que proteja contra partículas que vuelen por DELANTE y por el LADO, cuando se haga la conexión al suministro de aire. Se exige protegerse la vista para resguardarse contra fijaciones o residuos que vuelen, lo cual puede causar lesiones graves a los ojos.



El empleador o el usuario deben asegurar que se protejan debidamente los ojos. El equipo de protección ocular debe estar en conformidad con los requisitos del Instituto Nacional Americano de Normas (American National Standards Institute), ANSI Z87.1 y proteger por delante y por el costado.

## ⚠ ADVERTENCIA:

**NOTA:** Los anteojos o máscaras sin protección lateral por sí solos no dan una protección adecuada.

## ¡IMPORTANTE – LEA DETENIDAMENTE!

Con esta herramienta puede lesionarse gravemente usted o quienes estén alrededor si no sigue las instrucciones provistas en la herramienta y en el manual de funcionamiento. Si se usa correctamente, la herramienta ofrece un método fácil, seguro y eficiente de instalar clavos para todo tipo de trabajo de construcción.

**NOTA:** Consulte el Manual de funcionamiento o la lista de piezas si no está familiarizado con alguno de los términos empleados a continuación.

- Debe comprarse el MCN-KIT3 por separado para poder utilizar la F21PL2 para instalar conectores de metal

## DISPARO SECUENCIAL

### ⚠ ADVERTENCIA:

Nunca use el gatillo de contacto (gatillo negro) con el aditamento para conector de metal. Solamente use el disparo secuencial (gatillo gris) con el aditamento para el conector de metal. Consulte la instrucción de conversión de gatillo que se incluye en el juego.

Las herramientas BOSTITCH F21PL y F33PT y F33PTSM con aditamento conector de metal vienen con un disparo secuencial (gatillo gris) instalado. Este estilo de gatillo:

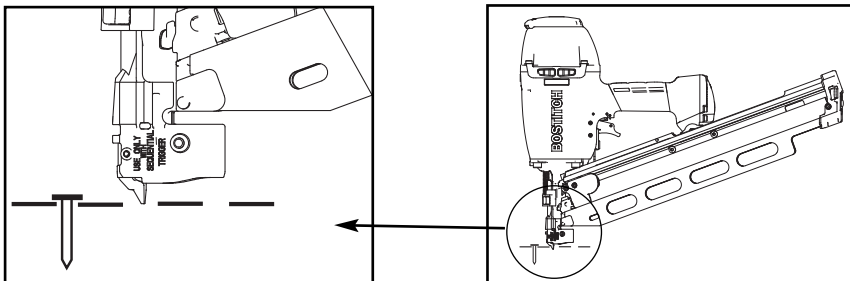
1. Ofrece una ventaja de seguridad positiva dado que no instala accidentalmente un clavo si se golpea la herramienta contra alguna superficie o persona mientras el operador la esté sosteniendo con el gatillo accionado.
2. Permite clavar sin la posibilidad de poner un segundo clavo por error.

El disparo secuencial (gatillo gris) se llama así por la "secuencia" que se necesita para hacer funcionar la herramienta. Para instalar un clavo, el operador debe presionar primero el disparo contra la superficie de trabajo y luego accionar el gatillo. Para instalar un segundo clavo, el operador debe levantar la herramienta de la superficie, soltar el gatillo y luego repetir la secuencia anterior.

### ⚠ ADVERTENCIA:

**PARA EVITAR LESIONES SERIAS POR FIJACIONES Y RESIDUOS QUE VUELEN AL INSTALAR CONECTORES DE METAL USANDO LA F21PL, F21PL2 Y LA F33PT Y LA F33PTSM CON EL ADITAMENTO CONECTOR DE METAL:**

- Siempre use el aditamento para conectores de metal. (consulte las instrucciones de instalación).
- Use solamente el disparo secuencial (gatillo gris).
- Use solamente los clavos conectores de metal genuinos de Bostitch.
- Use solamente una barra de clavos conectores de metal a la vez.
- Los clavos conectores de metal no están diseñados para penetrar el metal. Al instalar conectores de metal, siempre coloque la guía del aditamento para conectores de metal en el agujero preformado del conector de metal antes de intentar instalar uno.



### ⚠ ADVERTENCIA:

Al instalar los conectores de metal, use **SOLAMENTE** los clavos de conector de metal con tratamiento térmico BOSTITCH



# **REVISIÓN FUNCIONAL DE LA HERRAMIENTA:**

**PRECAUCIÓN:** Retire todas las fijaciones de la herramienta antes de revisar cómo funciona.

## **1. FUNCIONAMIENTO DEL DISPARO SECUENCIAL:**

- A. Presione el disparo de contacto contra la superficie de trabajo, sin tocar el gatillo.  
**NO DEBE HACER UN CICLO LA HERRAMIENTA.**
- B. Sostenga la herramienta sin tocar la superficie de trabajo y tire del gatillo.  
**NO DEBE HACER UN CICLO LA HERRAMIENTA.**  
Libere el gatillo. El gatillo debe regresar al tope del gatillo del armazón.
- C. Accione el gatillo y presione el disparo de contacto contra la superficie de trabajo.  
**NO DEBE HACER UN CICLO LA HERRAMIENTA.**
- D. Con el dedo lejos del gatillo, presione el disparo de contacto contra la superficie de trabajo. Accione el gatillo.  
**DEBE HACER UN CICLO LA HERRAMIENTA.**

## **2. FUNCIONAMIENTO DEL DISPARO DE CONTACTO:**

- A. Con el dedo lejos del gatillo, presione el disparo de contacto contra la superficie de trabajo.  
**NO DEBE HACER UN CICLO LA HERRAMIENTA.**
- B. Sostenga la herramienta sin tocar la superficie de trabajo y tire del gatillo.  
**NO DEBE HACER UN CICLO LA HERRAMIENTA.**
- C. Con la herramienta sin tocar la superficie de trabajo, accione el gatillo. Presione el disparo de contacto contra la superficie de trabajo.  
**DEBE HACER UN CICLO LA HERRAMIENTA.**
- D. Sin tocar el gatillo, presione el disparo de contacto contra la superficie de trabajo, luego accione el gatillo.  
**DEBE HACER UN CICLO LA HERRAMIENTA.**

## **ADEMÁS DE LAS OTRAS ADVERTENCIAS CONTENIDAS EN ESTE MANUAL OBSERVE LO SIGUIENTE PARA LA OPERACIÓN SEGURA**

- Use la herramienta neumática BOSTITCH solamente para el fin que fue diseñada.
- Nunca use esta herramienta en forma que pueda causar la salida de una fijación hacia el usuario u otros presentes en el área de trabajo.
- No use la herramienta como martillo.
- Siempre lleve la herramienta tomándola por la empuñadura. Nunca lleve la herramienta tomándola por la manguera de aire.
- No altere ni modifique el diseño o función original de esta herramienta sin la aprobación de BOSTITCH, INC.
- Siempre tenga presente que el uso indebido o la manipulación incorrecta de esta herramienta puede causarle lesiones a usted y a los demás.
- Nunca use abrazaderas ni cinta para bloquear el gatillo o el disparo de contacto en la posición activada.
- Nunca deje una herramienta sin supervisión con la manguera de aire conectada.
- No opere esta herramienta si no cuenta con una ETIQUETA DE ADVERTENCIA legible.
- Deje de usar la herramienta si tiene fugas de aire o no funciona bien. Notifique al representante más cercano de BOSTITCH si la herramienta sigue presentando problemas funcionales.

# **MANTENIMIENTO DE LA HERRAMIENTA NEUMÁTICA**

**⚠ ADVERTENCIA:** Al trabajar con herramientas neumáticas, observe las advertencias de este manual y tenga sumo cuidado al evaluar herramientas con problemas.

**PRECAUCIÓN:** Resorte de empuje (resorte de fuerza constante). Debe tenerse cuidado al trabajar con el ensamblaje del resorte. El resorte va envuelto alrededor de un rodillo, no conectado al mismo. Si el resorte se extiende más allá de su longitud, el extremo se saldrá del rodillo y el resorte se enrollará con un chasquido, posiblemente pellizcándole la mano. Los bordes del resorte también son muy finos y podrían cortar. Debe tenerse cuidado para asegurar que no se hagan dobleces permanentes en el resorte porque esto reducirá la fuerza del mismo.

## **PIEZAS DE REPUESTO:**

Se recomienda usar repuestos BOSTITCH. No use piezas modificadas ni componentes que no tengan un rendimiento equivalente al equipo original.

## **PROCEDIMIENTO DE ENSAMBLAJE PARA LOS SELLOS:**

Al reparar una herramienta, fíjese en que las piezas internas estén limpias y lubricadas. Use Parker "O"-LUBE u otro lubricante equivalente en todas las juntas tóricas. Cubra cada junta tórica con "O"-LUBE antes del ensamblaje. Use un poco de aceite en todas las superficies y pivotes móviles. Después del reensamblaje añada unas pocas gotas de Lubricante para herramientas neumáticas BOSTITCH (Air Tool Lubricant) a través de la graseira de la línea de aire antes de probar.

## **PRESIÓN Y VOLUMEN DEL SUMINISTRO DE AIRE:**

El volumen de aire es tan importante como la presión de aire. El volumen de aire suministrado a la herramienta puede ser inadecuado debido a accesorios y mangueras de tamaño inferior o por los efectos de suciedad y agua en el sistema. El flujo de aire restringido impedirá que la herramienta reciba un volumen de aire adecuado, aun cuando la lectura de presión sea alta. Los resultados serán: funcionamiento lento, fijaciones mal dirigidas o menor potencia de impulso. Antes de evaluar los problemas de las herramientas según estos síntomas, inspeccione el suministro de aire desde la herramienta a la fuente de suministro en busca de conectores restrictivos, accesorios giratorios, puntos bajos que tengan agua y cualquier otra cosa que impida el flujo del volumen completo de aire a la herramienta.

# SOLUCIÓN DE PROBLEMAS

<u>PROBLEMA</u>	<u>CAUSA</u>	<u>CORRECCIÓN</u>
El alojamiento de la válvula de disparo tiene fuga de aire	La junta tórica está cortada o agrietada	..... Cambie la junta tórica
El vástago de la válvula de disparo tiene fuga de aire	La junta tórica o los sellos están cortados o agrietados	..... Cambie el ensamblaje de la válvula de disparo
El armazón o la punta tiene fuga de aire	Los tornillos de la punta están sueltos	..... Apriete y revíselos de nuevo
	La junta tórica o la empaquetadura está cortada o agrietada	..... Cambie la junta tórica o la empaquetadura
	El tope está agrietado o desgastado	..... Cambie el tope
El armazón o la tapa tiene fuga de aire	La empaquetadura o el sello está dañado	..... Cambie la empaquetadura o el sello
	El tope de la válvula cabezal está agrietado o desgastado	..... Cambie el tope
	Los tornillos de casquete están sueltos	..... Apriete y revíselos de nuevo
No hace ciclos	El suministro de aire está restringido	..... Revise el equipo de suministro de aire
	La herramienta está seca, falta lubricación	..... Use el Lubricante para herramientas neumáticas BOSTITCH
	Las juntas tóricas están desgastadas en la válvula cabezal	..... Cambie las juntas tóricas
	El resorte en la tapa del cilindro está roto	..... Cambie el resorte de la tapa del cilindro
	La válvula cabezal está pegada en la tapa	..... Desarme/Revise/Lubrique lo necesario
Falta alimentación; el ciclo es lento	La herramienta está seca, falta lubricación	..... Use el Lubricante para herramientas neumáticas BOSTITCH
	El resorte en la tapa del cilindro está roto	..... Cambie el resorte de la tapa
	Las juntas tóricas o los sellos están cortados o agrietados	..... Cambie las juntas tóricas o los sellos
	El escape está bloqueado	..... Revise el tope, el resorte de la válvula cabezal, el silenciador
	El ensamblaje del gatillo está gastado o tiene fugas	..... Cambie el ensamblaje del gatillo
	Hay acumulación de suciedad o alquitrán en el impulsor	..... Desarme la punta o el impulsor para limpiar
	El manguito del cilindro no está asentado correctamente en el tope inferior	..... Desármelo para corregir esto
	La válvula cabezal está seca	..... Desármela y lubriquéla
	La presión de aire está demasiado baja	..... Revise el equipo de suministro de aire
Se saltan fijaciones; la alimentación es intermitente	El tope está desgastado	..... Cambie el tope
	Hay alquitrán o suciedad en el canal del impulsor	..... Desarme y limpie la punta y el impulsor
	Restricción de aire/flujo indebido de aire del enchufe y la toma de desconexión rápida	..... Cambie los accesorios de desconexión rápida
	Está desgastada la junta tórica del pistón	..... Cambie la junta tórica y revise el impulsor
	La herramienta está seca, falta lubricación	..... Use el Lubricante para herramientas neumáticas BOSTITCH
	El resorte de empuje está dañado	..... Cambie el resorte
	Hay baja presión de aire	..... Revise el sistema de suministro de aire a la herramienta
	Los tornillos en la punta del depósito están sueltos	..... Apriete todos los tornillos
	Las fijaciones son demasiado cortas para la herramienta	..... Use solamente las fijaciones recomendadas
	Hay fijaciones dobladas	..... Deje de usar estas fijaciones
	Las fijaciones son del tamaño incorrecto	..... Use solamente las fijaciones recomendadas
	La empaquetadura de la tapa cabezal tiene fugas	..... Apriete los tornillos o cambie la empaquetadura
	La junta tórica de la válvula de disparo está cortada o desgastada	..... Cambie la junta tórica
	El impulsor está roto o picado	..... Cambie el impulsor (revise la junta tórica del pistón)
	El depósito está seco o sucio	..... Limpie/lubrique con Lubricante para herramientas neumáticas BOSTITCH
	El depósito está desgastado	..... Cambie el depósito
Se atascan las fijaciones en la herramienta	El canal del impulsor está desgastado	..... Cambie la punta
	Las fijaciones son del tamaño incorrecto	..... Use solamente las fijaciones recomendadas
	Hay fijaciones dobladas	..... Deje de usar estas fijaciones
	Hay tornillos sueltos en el depósito o la punta	..... Apriete todos los tornillos
	El impulsor está roto o picado	..... Cambie el impulsor
La fijación queda mal colocada / agujero conector de metal (Para F21PL, F33PT)	La guía está rota o picada	..... Cambie la guía
	Está roto o falta el resorte de torsión 158457	..... Cambie el resorte de torsión (engrase antes de instalar)
	Péndulo roto	..... Cambie el péndulo y el resorte de torsión
	Está roto el pasador 158455	..... Cambie el pasador y el resorte de torsión

# INTRODUCTION

Les outils BOSTITCH sont des outils de précision conçus pour un clouage exact et à haut rendement. Ils offrent un service efficace et fiable lorsque utilisés correctement et avec soin. Comme pour tout outil sophistiqué, il est nécessaire de suivre les instructions du fabricant pour obtenir de meilleures performances. Veuillez étudier ce manuel avant la mise en fonction de l'outil, et vous assurer d'avoir compris les avertissements et consignes de sécurité inclus. Lisez avec précaution les instructions d'installation, de fonctionnement et de maintenance; conservez le manuel pour référence ultérieure. REMARQUE : Des mesures de sécurité supplémentaires peuvent être requises en fonction de votre utilisation particulière de l'outil. Pour toute question concernant l'outil et son utilisation, contactez votre représentant ou distributeur Bostitch. BOSTITCH, East Greenwich, Rhode Island 02818, États-Unis.

## INDEX

Consignes de sécurité .....	29
Caractéristiques techniques de l'outil .....	30
Source d'alimentation : Garnitures, conduits, filtres, consommation d'air, régulateurs, pression de fonctionnement, réglage de la pression correcte .....	30, 31
Lubrification .....	31
Chargement de l'outil .....	32
Installation de la tige-guide .....	32
Commande de réglage de profondeur de fixation .....	33
Retrait des clous, échappement directionnel .....	33
Fixation de l'embout pour connecteur métallique .....	34
Fonctionnement de l'outil .....	35, 36, 37 & 38
Maintenance de l'outil pneumatique .....	39
Dépannage .....	40

## REMARQUE :

Les outils BOSTITCH répondent aux attentes des consommateurs et offrent des performances optimales, lorsqu'ils sont utilisés en conjonction avec les dispositifs de fixation Bostitch obéissant au même standard. **Le modèle F33PT, F33PTSM est conçu pour utiliser des barrettes de clous en ruban de papier 33". Le modèle F33PT, F33PTSM avec son embout pour connecteurs métalliques déjà en place, utilise des barrettes de connecteurs métalliques Bostitch 35". Les modèles F21PL et F21PL2 avec bras de contact standard pour charpente sont conçus pour les clous de 21" à relier en plastique. Les modèles F21PL et F21PL2 avec la fixation optionnelle pour étriers sont conçus pour les clous à étriers Bostitch 23". BOSTITCH ne garantit pas les performances de vos outils s'ils sont utilisés avec des dispositifs de fixation ou accessoires ne répondant pas strictement aux exigences établies en matière de clous, agrafes et accessoires.**



## GARANTIE LIMITÉE – É.-U. et Canada seulement

À partir du 1er décembre 2005, Bostitch, L.P. garantit à l'acheteur d'origine au détail que ce produit est exempt de tout défaut de matériaux et de fabrication et accepte, le cas échéant, de réparer ou de remplacer, à la discrétion de Bostitch, toute agrafeuse ou cloueuse de marque Bostitch défectueuse pour une période de sept (7) ans à partir de la date d'achat (1 (un) an à partir de la date d'achat pour les compresseurs et les outils utilisés dans des applications de production). Cette garantie n'est pas cessible. Une preuve de la date d'achat est requise. Cette garantie couvre uniquement les dommages résultant de défaut de matériaux et de fabrication, et ne couvre pas les conditions ou défauts de fonctionnement résultant d'une usure normale, d'une négligence, d'un usage abusif, d'un accident, d'une réparation ou d'une tentative de réparation par une entité autre que notre Centre de réparation national ou l'un de nos Centres de service de garantie autorisé. Les lames du mandrin, les amortisseurs, les joints toriques, les pistons et les garnitures de piston sont considérés comme des pièces normales d'usure. Pour une performance optimale de votre outil Bostitch, utilisez toujours des attaches et des pièces de rechange Bostitch d'origine.

CETTE GARANTIE REMPLACE TOUTE AUTRE GARANTIE, IMPLICITE OU EXPLICITE, COMPRENANT, MAIS SANS S'Y LIMITER, LES GARANTIES IMPLICITES DE COMMERCIALISATION OU D'ADAPTATION À UN USAGE PARTICULIER. BOSTITCH NE SERA PAS TENUE RESPONSABLE DES DOMMAGES INDIRECTS OU ACCESSOIRES.

Les limitations imposées par la durée d'une garantie implicite ou l'exclusion des dommages accessoires ou indirects n'étant pas reconnues dans certains États et pays, les limitations ou exclusions précitées peuvent ne pas vous être adressées. Cette garantie vous confère des droits juridiques spécifiques qui s'ajoutent aux autres droits éventuels qui peuvent varier d'une province, d'un État ou d'un pays à l'autre.

Pour obtenir aux États-Unis des services liés à la garantie, retournez le produit à vos frais accompagné de la preuve d'achat à votre Centre de service national américain ou à un Centre de service régional indépendant de garantie autorisé. Aux États-Unis, appelez-nous au 1-800-556-6696 ou visitez le [www.BOSTITCH.com](http://www.BOSTITCH.com) pour connaître l'emplacement du Centre le plus près de chez vous. Au Canada, appelez-nous au 1-800-567-7705 ou visitez le [www.BOSTITCH.com](http://www.BOSTITCH.com).

# CONSIGNES DE SÉCURITÉ

## ATTENTION:

**UNE PROTECTION DES YEUX**, conforme aux normes ANSI et fournissant une protection contre les projectiles en provenance de l'AVANT et des CÔTÉS, doit toujours être portée par l'opérateur et les personnes présentes dans la zone de travail, lors du raccordement au réseau d'air, du chargement, du fonctionnement et de la maintenance de l'outil. Une telle protection est indispensable pour vous protéger contre les projections d'attaches et de particules qui peuvent entraîner des blessures graves.



L'employeur et/ou l'utilisateur doivent s'assurer du port d'une protection oculaire adéquate. L'équipement de protection oculaire doit être conforme aux normes ANSI Z87.1 (de l'Institut National Américain des Normes), et offrir une protection à la fois frontale et latérale. **REMARQUE** : les lunettes de protection sans écrans latéraux et les masques de protection portés seuls, n'offrent pas une protection suffisante.



**ATTENTION** : Des mesures de sécurité supplémentaires seront nécessaires dans certains environnements. Par exemple, la zone de travail peut comporter une exposition à des niveaux de bruit pouvant conduire à un dommage auditif. L'employeur et l'utilisateur doivent alors s'assurer qu'une protection auditive adéquate est offerte et utilisée par l'opérateur et toute autre personne se trouvant dans la zone de travail. Certains environnements de travail nécessitent le port d'un casque de sécurité. Dans ce cas, l'employeur et l'utilisateur doivent s'assurer qu'un casque de sécurité conforme à la norme ANSI Z89.1 est toujours porté.

## ALIMENTATION EN AIR COMPRIMÉ ET RACCORDEMENT

### ATTENTION:

L'oxygène ou les gaz combustibles ne doivent en aucun cas être employés comme source d'énergie, sachant que l'outil peut exploser et provoquer des blessures.

### ATTENTION:

N'utiliser en aucun cas des sources d'énergie à une pression dépassant 14 kg/cm<sup>2</sup> (13,8 bars), car l'outil peut éclater et causer des blessures.

### ATTENTION:

L'appareil ne doit pas rester sous pression lorsqu'il est déconnecté de la source d'air. Si un mauvais raccord est utilisé, l'outil peut demeurer sous pression même après le désaccouplement, et de ce fait, peut éjecter un élément d'assemblage et causer des blessures.

### ATTENTION:

Ne pas appuyer sur la détente ou abaisser le mécanisme de contact tant que l'outil est connecté à la source d'air, car celui-ci peut se déclencher et donc provoquer des blessures.

### ATTENTION:

Toujours désaccoupler l'appareil de sa source d'énergie : 1) avant tout réglage; 2) lors de l'entretien; 3) lors d'un désenrayage; 4) à la fin de l'utilisation; 5) lors du déplacement vers une nouvelle zone de travail, car un déclenchement accidentel peut se produire et causer des blessures.

## CHARGEMENT DE L'APPAREIL

### ATTENTION:

Lors du chargement de l'appareil : 1) Ne jamais placer la main ou toute autre partie du corps dans la direction de projection de l'élément d'assemblage de l'outil; 2) Ne jamais pointer l'outil vers quelqu'un; 3) Ne pas presser sur la détente ou appuyer sur le palpeur de surface, car un déclenchement accidentel peut se produire et causer des blessures.

## FONCTIONNEMENT

### ATTENTION:

Manipuler l'appareil avec précaution : 1) Ne pas jouer ou chahuter avec l'appareil; 2) Ne jamais appuyer sur la détente tant que le nez de l'appareil n'est pas dirigé vers la pièce à assembler; 3) Tenir les autres personnes à distance raisonnable de l'outil lors de l'utilisation de celui-ci, car un déclenchement accidentel peut se produire et causer des blessures.

### ATTENTION:

Ne pas maintenir la détente pressée sur un outil possédant un mécanisme de contact, sauf pendant le travail d'assemblage, car un accident grave pourrait se produire si le palpeur de surface entrainé en contact avec un objet ou une personne et entraînerait le déclenchement de l'outil.

### ATTENTION:

Lorsque l'appareil est connecté à la source d'énergie, éloigner les mains et le corps de l'orifice d'éjection. Un outil à mécanisme de contact peut «rebondir» après l'éjection d'un élément d'assemblage, et un second élément d'assemblage peut accidentellement être éjecté.

### ATTENTION:

Vérifier régulièrement le mécanisme de contact. Ne pas utiliser un appareil dont le mécanisme de contact est inopérant, un accident peut en résulter. Ne pas changer le mode opératoire du mécanisme de contact.

### ATTENTION:

Ne pas enfoncer des attaches lorsque l'outil est trop penché ou par-dessus d'autres attaches car cela pourrait faire dévier ces dernières et entraîner des blessures.

### ATTENTION:

Ne pas enfoncer des attaches près du bord de la pièce car le bois pourrait se fendre et faire dévier les attaches, entraînant ainsi des blessures.

### ATTENTION:

Pendant son fonctionnement, cette cloueuse génère des ÉTINCELLES. NE JAMAIS utiliser la cloueuse près de substances, gaz ou vapeurs inflammables, y compris : laque, peinture, benzène, solvant, essence, adhésifs, mastics, colles ou tous autres produits qui sont, eux ou leurs vapeurs, brumes ou produits dérivés, inflammables, combustibles ou explosifs. L'utilisation de la cloueuse dans un tel environnement pourrait mener à une EXPLOSION pouvant causer des blessures ou le décès de l'utilisateur ou de personnes à proximité.

### ATTENTION:

Ne jamais utiliser le crochet pour chevrons pour accrocher l'outil au corps, aux vêtements ou à la ceinture.

# ENTRETIEN DE L'APPAREIL



Lors de l'utilisation d'un outil fonctionnant sous-pression, lire les avertissements du manuel et user d'extrêmes précautions lors de la découverte d'un problème.

## CARACTÉRISTIQUES TECHNIQUES DES OUTILS DE LA SÉRIE F

Toutes les dimensions de vis et d'écrous sont exprimées en métrique.

MODÈLE	OUTIL DÉCLENCHEMENT	LONGUEUR	HAUTEUR	LARGEUR	POIDS
F28WW	Détente séquentielle avec option de détente par contact	508 mm (20 po)	355 mm (14 po)	133 mm (5 1/4 po)	3,5 kg (7,8 lb)
F21PL	Déclencheur séquentiel avec embout MCN et option butée de déclenchement	517 mm (20 3/8 po)	355 mm (14 po)	133 mm (5 1/4 po)	3,7 kg (8,1 lb)
F21PL2	Détente séquentielle avec option de détente par contact	517 mm (20 3/8 po)	355 mm (14 po)	133 mm (5 1/4 po)	3,7 kg (8,1 lb)
F33PT	Déclencheur séquentiel avec embout MCN et option butée de déclenchement	457 mm (18 po)	355 mm (14 po)	133 mm (5 1/4 po)	3,6 kg (8,0 lb)
F33PTSM	Déclencheur séquentiel avec embout MCN et option butée de déclenchement	360 mm (14-3/16 po)	355 mm (14 po)	133 mm (5-1/4 po)	3,6 kg. (7,9 lb.)

### SPÉCIFICATIONS DES ATTACHES :

**F28WW :** Cet outil utilise des barrettes métallisées de clous 28° [50 à 90 mm (2-3-1/2 po) de longueur et 2,8 à 3,3 mm (0,113-0,131 po) de diamètre]

**F21PL / F21PL2 :**

- avec bras de contact standard en place : Utilise des barrettes plastifiées de clous à tête ronde 21°, dans des longueurs de 50 à 100 mm (2 à 3-1/2 po) et des diamètres de tige de 2,8 à 4,1 mm (0,113-0,162 po)

- (Compris UNIQUEMENT avec le modèle F21PL) avec fixation pour étriers installé : Utilise des clous pour connecteur métallique à tête ronde de 23°, dans des longueurs de 38 à 64 mm (1 1/2 po à 2 1/2 po) et des diamètres de tige de 3,3 mm, 3,7 mm et 4,1 mm (0,131 po, 0,148 po et 0,162 po).

- L'ensemble MCN-KIT3 doit être acheté séparément pour utiliser la cloueuse F21PL2 sur des étriers

**REMARQUE :** N'utilisez qu'une barrette de clous pour connecteur métallique à la fois.

**F33PT / F33PTSM :**

- avec bras de contact standard en place : Utilise une barrette de clous sur papier 33°, dans des longueurs de 50 à 90 mm (2 po à 3 1/2 po) et des diamètres de tige de 2,8 mm à 3,3 mm (0,113 po à 0,131 po)

- avec embout pour connecteur métallique en place : Utilise des clous pour connecteur métallique sur papier à tête ronde de 35°, dans des longueurs de 38 mm à 64 mm (1 1/2 po à 2 1/2 po) et des diamètres de tige de 3,3 mm, 3,7 mm et 4,1 mm (0,131 po, 0,148 po et 0,162 po).

**REMARQUE :** N'utilisez qu'une barrette de clous pour connecteur métallique à la fois.

### GARNITURE PNEUMATIQUE DE L'OUTIL :

Cet outil utilise une fiche mâle avec un pas de 1/4 po NPT. Le diamètre interne doit être au minimum de 7 mm (0,275 po). La garniture doit être en mesure d'évacuer la pression pneumatique lorsque l'outil est déconnecté de l'alimentation d'air.

### PRESSION DE FONCTIONNEMENT :

4,9 à 8,4 kg/cm<sup>2</sup> (70 à 120 lb/po<sup>2</sup>). Sélectionnez la pression de fonctionnement pour les meilleures performances.

**NE DÉPASSEZ PAS LA PRESSION DE FONCTIONNEMENT RECOMMANDÉE.**

### CONSUMMATION D'AIR :

Le modèle F21PL / F21PL2 / F28WW / F33PT / F33PTSM exige 247 l/min (8,7 pi<sup>3</sup>/min) pour fonctionner au taux de 100 clous par minute à une pression de 5,6 kg/cm<sup>2</sup> (80 lb/po<sup>2</sup>). Considérez le régime de fonctionnement de votre outil afin de déterminer le montant d'air requis. Ainsi, pour un débit de 50 clous par minute, vous aurez besoin de 50 % du cubage par minute 247 l/min ou (8,7 pi<sup>3</sup>/min) requis pour faire fonctionner l'outil avec un débit de 100 clous par minute.

## FONCTIONNEMENT

BOSTITCH PERMET DEUX MODES DE FONCTIONNEMENT POUR CETTE SÉRIE D'OUTILS.

### DÉCLENCHEMENT SÉQUENTIEL (gâchette grise) :

Le déclencheur séquentiel exige que l'opérateur maintienne l'outil contre l'ouvrage et appuie sur la gâchette. Cela permet une plus grande précision de fixation, par exemple sur les applications de clouage en biais, ou de clouage de charpente/caisse. Ce type de déclencheur permet de choisir un emplacement exact pour l'attache, et élimine le risque de l'éjection d'une deuxième attache au rebond, tel que décrit dans la section « Déclenchement au contact ». Le déclencheur séquentiel offre un réel avantage de sécurité. En effet, l'attache ne sera pas accidentellement enfoncée si l'outil entre en contact avec l'ouvrage – ou quoi que ce soit d'autre – lorsque l'opérateur n'a pas le doigt sur la gâchette.

### DÉCLENCHEMENT PAR CONTACT (gâchette noire) :

La procédure de fonctionnement habituelle pour les outils à déclenchement par contact consiste pour l'opérateur à toucher l'ouvrage afin d'actionner le mécanisme du déclencheur (la gâchette reste enfoncée) et d'enfoncer une attache à chaque nouveau contact de l'ouvrage. Cette méthode permet de fixer rapidement des attaches dans le cadre de nombreuses applications industrielles : revêtements, planchers, palettes, etc. Tous les outils pneumatiques accusent un recul lors de la fixation des attaches. L'outil peut ainsi rebondir, libérant le déclencheur. Si par accident l'outil entre en contact avec la surface de travail lorsque la gâchette est enfoncée, une seconde attache est éjectée.

## IDENTIFICATION DE MODÈLE :

Avant de continuer à utiliser cet outil, veuillez consulter les instructions de fonctionnement à la page 35.

### DÉCLENCHEUR

#### SÉQUENTIEL

Identifié par :

**GÂCHETTE GRISE**



### DÉCLENCHEMENT

#### PAR CONTACT

Identifié par :

**GÂCHETTE NOIRE**



## ALIMENTATION EN AIR ET CONNEXIONS

**ATTENTION :** N'utilisez jamais de l'oxygène, des gaz combustibles ou des bouteilles de gaz comme source d'alimentation pour cet outil; il pourrait exploser et causer des blessures.

### GARNITURES :

Installez une fiche mâle sur l'outil capable de délivrer un débit d'air continu et de libérer la pression d'air de l'outil lorsqu'il est déconnecté de la source d'alimentation.

### CONDUITS :

Les conduits d'air doivent être soumis à un minimum de 150 lb/po<sup>2</sup> (10,6 kg/cm<sup>2</sup>) de pression nominale de fonctionnement, ou 150 pour cent de la pression maximum qui peut être produite par le système d'alimentation d'air. Le conduit d'alimentation doit contenir une garniture permettant une « déconnexion rapide » de la fiche mâle de l'outil.

### SOURCE D'ALIMENTATION :

Veuillez à n'utiliser qu'une source d'air comprimé régulée et propre pour alimenter cet outil. **N'UTILISEZ JAMAIS D'OXYGÈNE, DE GAZ COMBUSTIBLES NI DE BOUTEILLES DE GAZ POUR ALIMENTER CET OUTIL, CAR IL POURRAIT EXPLOSER.**

### RÉGULATEUR :

Un régulateur de pression capable de maintenir une pression de fonctionnement de 0 à 125 lb/po<sup>2</sup> (0 à 8,79 kg/cm<sup>2</sup>) est requis pour garantir la sécurité d'utilisation de cet outil. Ne connectez pas cet outil si la pression d'air est susceptible de dépasser 14 kg/cm<sup>2</sup> (200 lb/po<sup>2</sup>), car l'outil pourrait exploser et occasionner des blessures.

### PRESSION DE FONCTIONNEMENT :

Ne dépassez pas la pression de fonctionnement recommandée, car l'usure de l'outil augmenterait de façon considérable. L'alimentation d'air doit être en mesure de maintenir la pression de fonctionnement de l'outil. Une baisse de pression subite de l'alimentation d'air est susceptible de réduire la puissance motrice de l'outil. Consultez les « SPECIFICATIONS DE L'OUTIL » pour régler correctement la pression de fonctionnement de l'outil.

### FILTRE :

La poussière et la vapeur d'eau dans l'air constituent la cause majeure de l'usure des outils pneumatiques. L'utilisation d'un filtre permettra d'obtenir de meilleures performances ainsi qu'une usure minimum de l'outil. Le filtre doit permettre un débit d'air suffisant pour une installation donnée. Il doit aussi demeurer propre afin de fournir une source d'air comprimé optimale à l'outil. Consultez les instructions du fabricant pour assurer une maintenance correcte de votre filtre. Un filtre sale et bouché a pour effet une baisse de pression susceptible de réduire les performances de l'outil.

## LUBRIFICATION

Une lubrification fréquente mais sans excès est nécessaire pour assurer un fonctionnement optimal. Utilisez le lubrifiant pour outil pneumatique BOSTITCH, Mobil Velocite n° 10, ou un équivalent. N'utilisez pas d'huile détergente ni d'additifs. Ces lubrifiants accélèrent l'usure des joints et des butées de l'outil, ce qui a un effet négatif sur les performances et la fréquence d'entretien. Quelques gouttes suffisent. Tout excès s'accumule dans l'outil et apparaîtra lors du cycle d'échappement.

### FONCTIONNEMENT EN BASSE TEMPÉRATURE :

Pour un fonctionnement par temps froid (une température proche ou inférieure à 0 °C), la conduite d'air peut geler et empêcher le fonctionnement de l'outil. Nous vous recommandons d'utiliser la formule hivernale du lubrifiant pour outil pneumatique BOSTITCH ou, à défaut, un antigel permanent (éthylène-glycol).

**MISE EN GARDE :** Ne stockez pas les outils à basse température afin d'éviter la formation de gel ou de glace dans les soupapes et mécanismes. Cela pourrait causer un mauvais fonctionnement de l'outil.

**REMARQUE :** Certains liquides commerciaux de séchage de conduite d'air ne conviennent pas aux joints toriques. Évitez d'utiliser de tels liquides avant de vous être assuré qu'ils sont compatibles.

# CHARGEMENT DES OUTILS DE LA SÉRIE F

**ATTENTION:** Une PROTECTION DES YEUX, conforme aux normes ANSI et fournissant une protection contre les projectiles en provenance de l'AVANT et des CÔTÉS, doit TOUJOURS être portée par l'opérateur et les personnes présentes dans la zone de travail, lors du raccordement à une source d'air, du chargement, du fonctionnement et de la maintenance de l'outil. Une telle protection est indispensable pour vous protéger contre les attaches et débris projetés, susceptibles d'entraîner des blessures sérieuses.

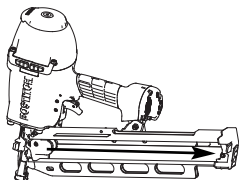


**ATTENTION:** L'employeur et/ou l'utilisateur doivent s'assurer qu'une protection des yeux est portée. L'équipement de protection doit être conforme à la norme ANSI Z87.1 et doit fournir une protection frontale et latérale. REMARQUE : Les lunettes sans coques latérales et les masques faciaux ne fournissent pas la protection nécessaire.

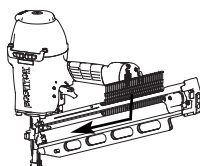
## POUR PRÉVENIR TOUT ACCIDENT :

- Ne placez jamais une main ou une partie quelconque du corps dans la zone de sortie du clou lorsque la source d'alimentation est connectée.
- Ne pointez jamais l'outil vers une autre personne.
- Ne chahutez jamais.
- N'appuyez sur la gâchette que lorsque le nez de pose de l'outil est dirigé vers l'ouvrage.
- Veillez à toujours manipuler l'outil avec précaution.
- N'appuyez jamais sur la gâchette ni n'abaissez le mécanisme de butée en chargeant l'outil.

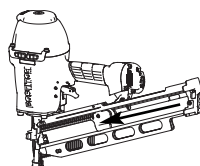
## F21PL, F21PL2, F28WW, F33PT, F33PTSM



**1. Ouvrez le magasin :**  
Tirez le poussoir vers l'arrière afin que le taquet s'enclenche.



**2. Chargez les clous :** Maintenez la cloueuse et le magasin inclinés vers le bas. Insérez une barrette de clous.



**3. Fermez le magasin :** Relâchez le poussoir en le tirant tout d'abord vers l'arrière, puis en appuyant sur le taquet de verrouillage. Faites glisser le poussoir contre les clous.

**REMARQUE :** Utilisez uniquement les clous recommandés pour les cloueuses à charpente Bostitch, ou des clous répondant aux spécifications de Bostitch.

**ATTENTION:** Pour la pose de connecteurs métalliques avec le F21PL, F21PL2, F33PT ou le F33PTSM : N'utilisez qu'une barrette de clous pour connecteur métallique à la fois.

**ATTENTION:** N'utilisez jamais le déclencheur par contact (gâchette noire) avec l'embout pour connecteur métallique. N'utilisez que le déclencheur séquentiel (gâchette grise) avec cet embout. Consultez les instructions de conversion de la gâchette comprises avec l'ensemble.

**ATTENTION:** Au moment d'installer des connecteurs métalliques, utilisez UNIQUEMENT les clous pour connecteurs métalliques BOSTITCH traités à la chaleur.

**ATTENTION:** Ne jamais utiliser le crochet pour chevrons pour accrocher l'outil au corps, aux vêtements ou à la ceinture.

## INSTALLATION ET DÉMONTAGE DE LA TIGE-GUIDE POUR LES OUTILS F21PL ET F33PT ET F33PTSM :

Fig. 1

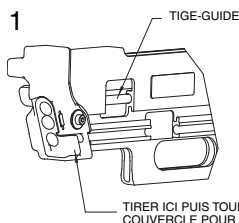


Fig. 2

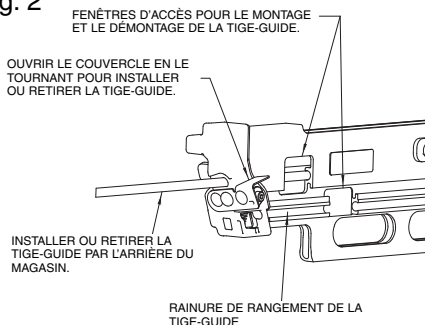
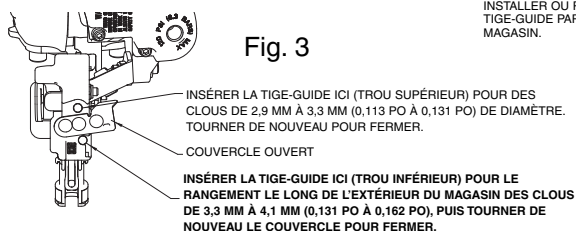


Fig. 3





# COMMANDE DE RÉGLAGE DE PROFONDEUR DE FIXATION

Au moment d'utiliser le bras de contact pour clouage en biais :

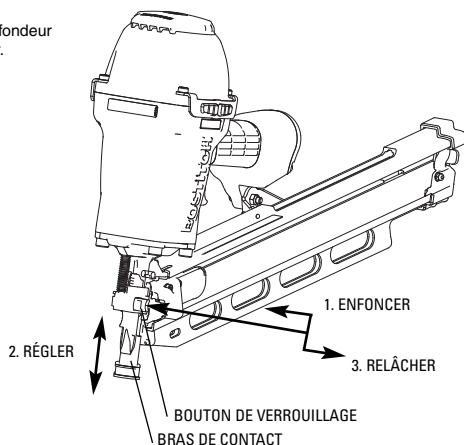
La commande de réglage de profondeur de fixation permet de contrôler précisément la profondeur de pénétration des dispositifs de fixation : encastrement faible, peu profond ou profond.

## POUR RÉGLER LA PROFONDEUR DE FIXATION :

**ATTENTION:** Déconnectez l'outil de l'arrivée d'air avant d'essayer de démonter toute pièce et de modifier le réglage de l'élément de contact.

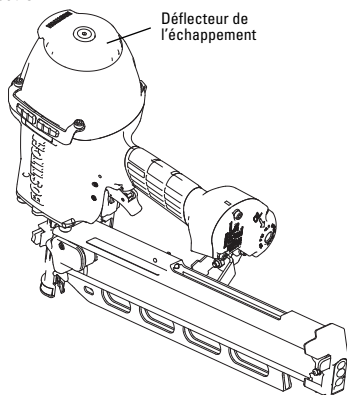
1. Enfoncez le bouton de verrouillage.
2. Remontez le bras de contact pour augmenter la profondeur de pénétration, ou abaissez le bras pour la diminuer.
3. Relâchez le bouton de verrouillage.

**Remarque :** La profondeur de pénétration de l'embout pour connecteur métallique n'est pas réglable.



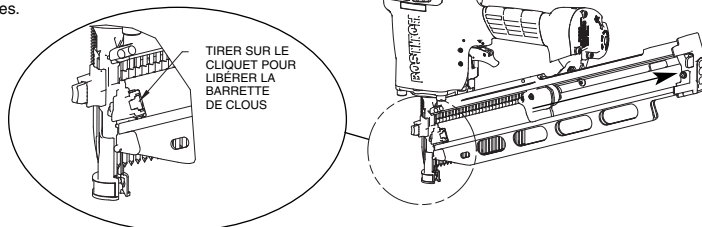
## DÉFLECTEUR DE L'ÉCHAPPEMENT DIRECTIONNEL

Vous pouvez tourner le déflecteur d'échappement réglable dans n'importe quelle position recherchée, à la main, sans avoir à utiliser d'outils.



## RETRAIT DES CLOUS

1. Tirez le poussoir vers l'arrière jusqu'à ce qu'il s'engage dans le taquet.
2. Faites glisser les clous vers l'ouverture à l'arrière et retirez-les.



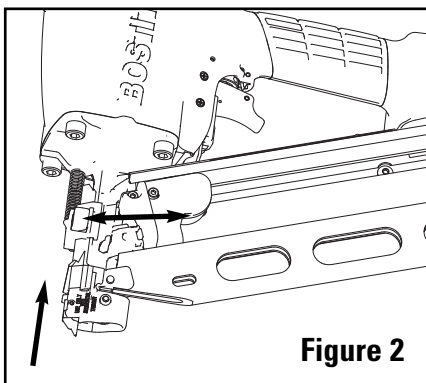
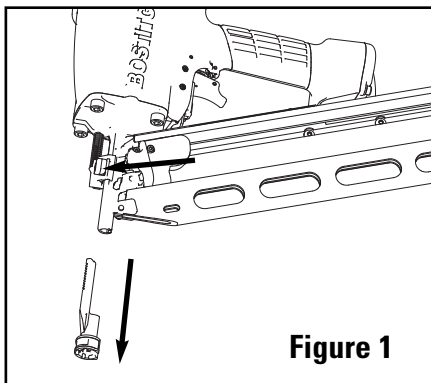
# FIXATION DE L'EMBOUT POUR CONNECTEUR MÉTALLIQUE À L'OUTIL BOSTITCH F21PL / F21PL2 / F33PT / F33PTSM

- ATTENTION:** Déconnectez l'outil de l'arrivée d'air avant d'essayer de démonter la moindre pièce et de modifier le réglage de l'élément en contact avec l'ouvrage.
- ATTENTION:** N'utilisez jamais le déclencheur par contact (gâchette noire) avec l'embout pour connecteur métallique. N'utilisez que le déclencheur séquentiel (gâchette grise) avec cet embout. Consultez les instructions de conversion de la gâchette comprises avec l'ensemble.
- ATTENTION:** Au moment d'installer des connecteurs métalliques, utilisez **UNIQUEMENT** les clous pour connecteurs métalliques BOSTITCH traités à la chaleur.

- Enfoncez le bouton de verrouillage (voir Figure 1).
- Abaissez le bras de contact jusqu'à ce qu'il se détache facilement de l'outil.
- Appuyez sur le bouton de verrouillage et glissez à fond l'embout pour connecteur métallique, tel qu'illustré à la Figure 2.
- Relâchez le bouton de verrouillage.
- Assurez-vous que l'embout pour connecteur métallique est complètement remonté et que le bouton de verrouillage est revenu à la position de dégagement.

**REMARQUE :** La profondeur de pénétration de l'embout pour connecteur métallique n'est pas réglable.

- L'ensemble MCN-KIT3 doit être acheté séparément pour utiliser la cloueuse F21PL2 sur des étriers.
- Vérifiez si l'embout pour connecteur métallique bouge librement de haut en bas. Si tel n'est pas le cas, **NE L'UTILISEZ PAS**. Faites réparer l'outil et l'embout pour connecteur métallique par un centre de service autorisé.
- Inversez la procédure pour retirer l'embout pour connecteur métallique et poser le bras de contact inférieur standard pour clouage en biais.



- ATTENTION:** Avant d'utiliser l'outil, vérifiez toujours que le bras de contact inférieur ou l'embout pour connecteur métallique se déplace librement. S'il glisse mal, reprenez le montage ou faites réparer l'outil à un centre de service autorisé Bostitch. Pour trouver le centre le plus proche, appelez le : 1-800-556-6696

Pour tout autre renseignement, communiquez avec le service clientèle Bostitch au 1-800-556-6696 ou écrivez à l'adresse suivante : Bostitch Customer Service, Briggs Drive, East Greenwich, RI 02818, États-Unis.

# FUNCTIONNEMENT DE L'OUTIL

**ATTENTION:** Une **PROTECTION DES YEUX**, conforme aux normes ANSI et fournissant une protection contre les projectiles en provenance de l'AVANT et des CÔTÉS, doit **TOUJOURS** être portée par l'opérateur et les personnes présentes dans la zone de travail, lors du raccordement à une source d'air, du chargement, du fonctionnement et de la maintenance de l'outil. Une telle protection est indispensable pour vous protéger contre les attaches et débris projetés, susceptibles d'entraîner des blessures sérieuses.



L'employeur et/ou l'utilisateur doivent s'assurer de porter une bonne protection oculaire. L'équipement de protection doit être conforme à la norme ANSI Z87.1 et doit fournir une protection frontale et latérale. **REMARQUE :** Les lunettes sans coques latérales et les masques faciaux ne fournissent pas la protection nécessaire.

## PRÉALABLEMENT À LA MANIPULATION OU À L'UTILISATION DE CET OUTIL :

- I. VEILLEZ À LIRE ET COMPRENDRE LES AVERTISSEMENTS CONTENUS DANS CE MANUEL.
- II. REPORTEZ-VOUS AUX « CARACTÉRISTIQUES TECHNIQUES DE L'OUTIL » DANS CE MANUEL POUR IDENTIFIER LE PRINCIPE DE FONCTIONNEMENT DE VOTRE OUTIL.

Deux modes de fonctionnement sont offerts pour ces outils pneumatiques BOSTITCH. à savoir :

1. DÉCLENCHEMENT SÉQUENTIEL
2. DÉCLENCHEMENT PAR CONTACT

## UTILISATION

BOSTITCH propose deux types de déclencheurs pour ses outils pneumatiques: Déclencheur séquentiel (gâchette grise) et déclencheur par contact (gâchette noire). Chaque déclencheur comporte des avantages spécifiques. Vous devriez évaluer votre projet spécifique afin de déterminer quelle gâchette est la plus appropriée.

Votre outil a quitté l'usine avec la configuration Déclenchement séquentiel (gâchette grise). Il peut facilement être converti au mode Déclenchement par contact (gâchette noire), à l'aide de cette trousse de conversion.

### 1. DÉCLENCHEMENT SÉQUENTIEL (GÂCHETTE GRISE) :

Le déclencheur séquentiel (gâchette grise) prend son nom de la « séquence » requise pour enfoncer une attache. Ainsi, l'opérateur doit d'abord appuyer COMPLÈTEMENT le déclencheur contre la surface de travail, puis appuyer sur la gâchette. Pour enfoncer une deuxième attache, il doit retirer l'outil de la surface de travail, lâcher la gâchette, puis répéter la séquence.

1. **Le déclenchement séquentiel (gâchette grise):** Ce mode offre un avantage de sécurité réel. En effet, une attache ne sera pas accidentellement enfoncée si l'outil entre en contact avec l'ouvrage – ou quoi que ce soit d'autre – pendant que la gâchette est enfoncée.
2. **Le déclenchement séquentiel (gâchette grise):** Ce mode permet de choisir un emplacement exact pour l'attache, et élimine le risque de l'éjection d'une deuxième attache au rebond, tel que décrit ci-dessous dans la section « Déclenchement au contact ».

### 2. UTILISATION DU DÉCLENCHEUR PAR CONTACT (GÂCHETTE NOIRE):

Votre nouvel outil Bostitch peut facilement être configuré pour une utilisation en mode Déclenchement par contact. Pour enfoncer un clou, le déclencheur et la gâchette doivent tous deux être enfoncés. Sur les outils de contact conventionnels, la gâchette peut être maintenue enfoncée, et chaque contact entre le déclencheur et la surface de travail causera l'enfoncement d'un clou.

- A. **PLACEMENT D'UNE ATTACHE UNIQUE (clouage en place)** – Placez d'abord le déclencheur COMPLÈTEMENT sur la surface de travail, SANS APPUYER SUR LA GÂCHETTE. Enfoncez COMPLÈTEMENT le déclencheur jusqu'à ce que le nez de l'outil touche à la surface de travail, puis appuyez sur la gâchette pour enfoncer un clou. Veillez à ne pas exercer plus de force que nécessaire sur la surface de travail. Au contraire, laissez l'outil rebondir afin d'éviter de fixer un dispositif superflu. Remarque : Retirez votre doigt de la gâchette après chaque utilisation.
- B. **UTILISATION RAPIDE (clouage par contact)** – D'abord, orientez l'outil avec le déclencheur pointant vers la surface de travail, sans toutefois établir le contact. Appuyez sur la gâchette, puis « tapez » le déclencheur contre la surface de travail, en tirant parti du rebond. Chaque pression du déclencheur contre la surface enfoncera un clou.

## UTILISATION DE L'OUTIL (SUITE)

---

- ATTENTION:** Le déclencheur par contact (gâchette noire) n'empêchera pas un clou d'être enfoncé accidentellement si la gâchette est maintenue enfoncée et que le déclencheur entre en contact avec une personne ou un objet. Pour cette raison, ne tenez jamais ni ne transportez l'outil avec le doigt sur la gâchette. Ne gardez la gâchette enfoncée que si vous prévoyez enfoncer plusieurs clous et que l'outil est pointé vers la surface.
- ATTENTION:** N'utilisez jamais le déclencheur par contact (gâchette noire) avec l'embout pour connecteur métallique. N'utilisez que le déclencheur séquentiel (gâchette grise) avec cet embout. Consultez les instructions de conversion de la gâchette comprises avec l'ensemble.
- ATTENTION:** Durant l'utilisation du déclencheur par contact conventionnel pour le clouage en place, le recul peut faire rebondir l'outil, et si ce dernier touche de nouveau la surface de travail pendant que vous appuyez toujours sur la gâchette, un deuxième clou peut être accidentellement enfoncé. Vous devez permettre à l'outil de reculer suffisamment pour dégager la butée et ainsi d'éviter un deuxième cycle. Évitez d'appuyer trop fort sur l'outil; laissez-le simplement faire son travail.
- ATTENTION:** L'opérateur ne doit pas conserver la gâchette enclenchée sur les outils à butée de déclenchement, excepté au moment de fixer des dispositifs. Si la butée entre en contact avec quelqu'un ou quelque chose, l'outil peut effectuer un cycle et causer des blessures sérieuses.
- ATTENTION:** Gardez-vous ainsi que vos mains à l'écart de la trajectoire de sortie des dispositifs de fixation. Un outil à déclencheur par contact peut rebondir lors de l'enfoncement d'un clou; un second dispositif indésirable peut le cas échéant causer des blessures.
- ATTENTION:** Ne jamais utiliser le crochet pour chevrons pour accrocher l'outil au corps, aux vêtements ou à la ceinture.

# UTILISATION DE LA CLOUÈUSE À CHARPENTE F21PL, F21PL2 ET F33PT ET F33PTSM AVEC EMBOUT POUR CONNECTEUR MÉTALLIQUE :

## ATTENTION:



Une PROTECTION DES YEUX, conforme aux normes ANSI et fournissant une protection contre les projectiles en provenance de l'AVANT et des CÔTÉS, doit TOUJOURS être portée par l'opérateur et les personnes présentes dans la zone de travail, lors du raccordement à une source d'air, du chargement, du fonctionnement et de la maintenance de l'outil. Une telle protection est indispensable pour vous protéger contre les attaches et débris projetés, susceptibles d'entraîner des blessures sérieuses.

## ATTENTION:

L'employeur et/ou l'utilisateur doivent s'assurer de porter une bonne protection oculaire. L'équipement de protection doit être conforme à la norme ANSI Z87.1 et doit fournir une protection frontale et latérale. REMARQUE : Des lunettes sans protection latérale et des masques faciaux ne fournissent pas la protection nécessaire.

## IMPORTANT - À LIRE ATTENTIVEMENT!

Vous, ainsi que ceux travaillant autour de vous, pouvez être grièvement blessés par cet outil si vous ne respectez pas les instructions indiquées sur celui-ci et dans le guide de l'utilisateur. Utilisé correctement, cet outil offre un moyen facile, efficace et sécuritaire d'enfoncer des clous de toute sorte pour une vaste gamme de projets de construction.

REMARQUE : Consulter le manuel d'utilisation ou la liste des pièces si un des termes utilisés ci-dessous vous est inconnu.

- L'ensemble MCN-KIT3 doit être acheté séparément pour utiliser la cloueuse F21PL2 sur des étriers

## DÉCLENCHEUR SÉQUENTIEL

### ATTENTION:

N'utilisez jamais le déclencheur par contact (gâchette noire) avec l'embout pour connecteur métallique. N'utilisez que le déclencheur séquentiel (gâchette grise) avec cet embout. Consultez les instructions de conversion de la gâchette comprises avec l'ensemble.

Les outils Bostitch F21PL et F33PT et F33PTSM avec embout pour connecteur métallique comprennent aussi un déclencheur séquentiel (gâchette grise) déjà installé. Ce type de déclencheur :

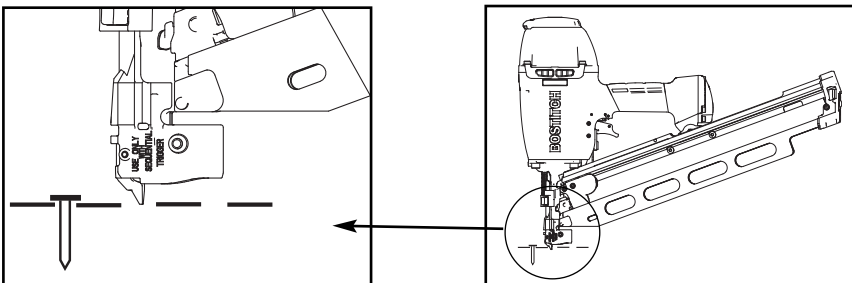
1. Offre un avantage certain en matière de sécurité, puis qu'il n'enfoncera aucun clou par accident si l'outil heurte une surface ou une autre personne lorsque l'opérateur tient l'outil avec la gâchette enfoncée.
2. Permet le clouage en place sans le risque d'enfoncer accidentellement un deuxième clou sous l'effet du recul.

Le déclencheur séquentiel (gâchette grise) prend son nom de la « séquence » requise pour faire fonctionner l'outil. Pour enfoncer un clou, l'opérateur doit d'abord appuyer le déclencheur contre la surface de travail, puis appuyer sur la gâchette. Pour enfoncer un deuxième clou, il doit retirer l'outil de la surface de travail, lâcher la gâchette, puis répéter la séquence.

### ATTENTION:

**POUR ÉVITER LES BLESSURES CAUSÉES PAR DES ATTACHES ET DES DÉBRIS PROJETÉS AU MOMENT DE POSER DES CONNECTEURS MÉTALLIQUES À L'AIDE DU F21PL, F21PL2 ET F33PT ET F33PTSM AVEC EMBOUT POUR CONNECTEUR MÉTALLIQUE :**

- Utilisez toujours l'embout pour connecteur métallique. (Consultez les instructions de pose)
- N'utilisez que le déclencheur séquentiel (gâchette grise).
- N'utilisez que des clous pour connecteur métallique d'origine Bostitch.
- N'utilisez qu'une barrette de clous pour connecteur métallique à la fois.
- Les clous pour connecteur métallique ne sont pas conçus pour pénétrer le métal. Lors de la fixation de connecteurs métalliques, placez toujours le guide de l'embout pour connecteur métallique dans le trou préformé du connecteur avant d'y fixer un dispositif.



### ATTENTION:

Au moment d'installer des connecteurs métalliques, utilisez UNIQUEMENT les clous pour connecteurs métalliques BOSTITCH traités à la chaleur.

# **VÉRIFICATION DE L'ÉTAT DE MARCHÉ DE L'OUTIL :**

**MISE EN GARDE :** Retirez tous les dispositifs de fixation (attaches) de l'outil avant d'effectuer la vérification de l'état de marche.

## **1. UTILISATION DU DÉCLENCHÉUR SÉQUENTIEL :**

- A. Le doigt hors de la gâchette, appuyez la butée de déclenchement sur la surface de travail.  
**L'OUTIL NE DOIT PAS EFFECTUER UN CYCLE.**
- B. Maintenez l'outil hors de la surface de travail et appuyez sur la gâchette.  
**L'OUTIL NE DOIT PAS EFFECTUER UN CYCLE.**  
Relâchez la gâchette. La gâchette doit revenir sur sa position de sécurité sur le bâti.
- C. Le doigt sur la gâchette, appuyez la butée de déclenchement sur la surface de travail.  
**L'OUTIL NE DOIT PAS EFFECTUER UN CYCLE.**

## **2. FONCTIONNEMENT DE LA BUTÉE DE DÉCLENCHÉMENT :**

- A. Le doigt hors de la gâchette, appuyez la butée de déclenchement sur la surface de travail.  
**L'OUTIL NE DOIT PAS EFFECTUER UN CYCLE.**
- B. Maintenez l'outil hors de la surface de travail et appuyez sur la gâchette.  
**L'OUTIL NE DOIT PAS EFFECTUER UN CYCLE.**
- C. Maintenez l'outil hors de la surface de travail et appuyez sur la gâchette. Appuyez la butée de déclenchement sur la surface de travail.  
**L'OUTIL DOIT EFFECTUER UN CYCLE.**
- D. Le doigt hors de la gâchette, appuyez la butée de déclenchement sur la surface de travail, puis appuyez sur la gâchette.  
**L'OUTIL DOIT EFFECTUER UN CYCLE.**

## **EN PLUS DES AUTRES AVERTISSEMENTS CONTENUS DANS CE MANUEL, VEILLEZ À OBSERVER LES PRÉCAUTIONS SUIVANTES :**

- N'utilisez jamais l'outil pneumatique BOSTITCH dans un but autre que celui pour lequel il a été conçu.
- N'orientez jamais l'outil de façon à ce qu'il puisse éjecter une attache en direction de l'utilisateur ou d'autres personnes dans la zone de travail.
- N'utilisez jamais l'outil comme un marteau.
- Veillez à toujours transporter l'outil à l'aide de la poignée. Ne transportez jamais l'outil par le conduit d'air.
- Ne modifiez pas la conception ou la fonction originale de l'outil sans avoir obtenu l'accord de BOSTITCH, INC.
- Gardez toujours présent à l'esprit qu'une utilisation ou une manipulation incorrecte de cet outil est susceptible d'occasionner des blessures à vous-même et à d'autres personnes.
- Ne bloquez jamais la gâchette ou la butée de déclenchement en position enclenchée.
- Ne laissez jamais un outil sans surveillance avec le conduit d'air attaché.
- Ne faites pas fonctionner l'outil s'il ne comporte pas une ÉTIQUETTE D'AVERTISSEMENT lisible.
- Cessez d'utiliser l'outil en cas de fuite d'air ou s'il ne fonctionne pas correctement. Si le problème persiste, communiquez avec le représentant BOSTITCH le plus proche.

# MAINTENANCE DE L'OUTIL PNEUMATIQUE

**ATTENTION:** Lorsque vous travaillez avec des outils pneumatiques, veuillez observer les avertissements contenus dans le manuel et prêter une attention redoublée en cas de problème.

**MISE EN GARDE :** Ressort-pousseur (ressort à force constante). Soyez vigilant lorsque vous utilisez le ressort. Il entoure un cylindre sans y être attaché. Si vous étirez le ressort au-delà de sa longueur, son extrémité se séparera du cylindre et le ressort pourrait vous blesser à la main en se rétractant. Notez aussi que les bords effilés du ressort sont coupants. Vérifiez qu'il n'est pas vrillé, afin qu'il puisse exercer la force prescrite.

## PIÈCES DE RECHANGE :

Nous recommandons les pièces de rechange BOSTITCH. N'utilisez pas de pièces modifiées ou ne fournissant pas une performance équivalente à celle de l'équipement d'origine.

## PROCÉDURE DE MONTAGE DES JOINTS :

Lors de la réparation d'un outil, assurez-vous que les pièces internes sont propres et lubrifiées. Utilisez le produit « O »-LUBE de Parker ou un équivalent sur tous les joints toriques. Avant l'assemblage, recouvrez chaque joint torique de lubrifiant. Utilisez un peu d'huile sur les surfaces mobiles et les axes. Après le réassemblage et avant de procéder au test, ajoutez quelques gouttes de lubrifiant pour outil pneumatique BOSTITCH dans la garniture de conduite d'air.

## PRESSION ET VOLUME DE L'ALIMENTATION D'AIR :

Le volume d'air est aussi important que la pression. Le volume d'air fourni à l'outil peut être inadéquat en raison de garnitures et conduits trop justes, ou en raison de la présence de poussière ou d'eau dans le système. Un débit d'air restreint empêchera que l'outil reçoive suffisamment d'air, même si la pression est haute. Il en résulte un fonctionnement ralenti, un défaut d'alimentation ou une force motrice réduite. Avant de rechercher l'existence éventuelle de ces problèmes, retracez le parcours de l'alimentation d'air de l'outil à la source. Notez l'existence possible de tout élément susceptible de diminuer la circulation de l'air vers l'outil, comme un conduit ou une garniture à rotule obstrués, ou un point inférieur contenant de l'eau.

# DÉPANNAGE

PROBLÈME	CAUSE	SOLUTION
Le logement de soupape de la gâchette laisse fuir de l'air	Le joint torique est coupé ou craquelé	Remplacez le joint torique
La tige de soupape de la gâchette laisse fuir de l'air.	Le joint torique est coupé ou craquelé	Remplacez la soupape de la gâchette
Fuite d'air du châssis/nez de pose	Vis d'assemblage desserrées	Resserrez et vérifiez de nouveau
	Le joint torique ou étanche est coupé ou craquelé	Remplacez le joint torique ou étanche
	L'amortisseur est craquelé ou usé	Remplacez l'amortisseur
Fuite d'air du châssis/capuchon	Joint endommagé	Remplacez le joint
	L'amortisseur de soupape est craquelé ou trop usé	Remplacez l'amortisseur
	Vis d'assemblage desserrées	Resserrez et vérifiez de nouveau
Cycle non amorcé	Restriction dans l'alimentation d'air	Vérifiez l'équipement d'alimentation d'air
	L'outil manque de lubrification	Utilisez le lubrifiant pour outil pneumatique BOSTITCH
	Les joints toriques de la soupape sont trop usés	Remplacez les joints toriques
	Le ressort du chapeau de bouteille est brisé	Remplacez le ressort du chapeau de bouteille
	La soupape est coincée dans le chapeau	Démontez, vérifiez et lubrifiez
Manque de puissance, l'outil tourne au ralenti	Outil manquant de lubrification	Utilisez le lubrifiant pour outil pneumatique BOSTITCH
	Le ressort du chapeau de bouteille est brisé	Remplacez le ressort
	Les joints toriques/joints sont coupés ou craquelés	Remplacez les joints toriques/joints
	Échappement bloqué	Vérifiez la butée, le ressort de soupape, la sourdine
	L'assemblage de la gâchette est trop usé ou fuit	Remplacez l'assemblage
	Des impuretés se sont accumulées sur le mandrin	Démontez le nez de pose et le mandrin afin de les nettoyer
	La chemise de cylindre n'est pas correctement placée sur la butée inférieure	Démontez afin de corriger le problème
	La soupape manque de lubrification	Démontez/lubrifiez
	Pression d'air trop basse	Vérifiez l'équipement d'alimentation d'air
Saut d'attaches; alimentation intermittente	Amortisseur usé	Remplacez l'amortisseur
	Du goudron/des impuretés se sont accumulés dans la rainure du mandrin	Démontez le nez de pose et le mandrin afin de les nettoyer
	Alimentation d'air restreinte ou débit d'air inadéquat dans la douille de débranchement rapide et la fiche	Remplacez les raccords de débranchement rapide
	Joint torique du piston trop usé	Remplacez le joint torique, vérifiez le mandrin
	Outil manquant de lubrification	Utilisez le lubrifiant pour outil pneumatique BOSTITCH
	Ressort-pousseur endommagé	Remplacez le ressort
	Pression d'air basse	Vérifiez le système d'alimentation d'air vers l'outil
	Les vis du nez de pose ou magasin sont desserrées	Resserrez toutes les vis
	Les dispositifs de fixation sont trop petits pour l'outil	N'utilisez que les dispositifs recommandés
	Dispositifs de fixation pliés	Cessez d'utiliser ce type de dispositif
	Taille incorrecte des dispositifs de fixation	N'utilisez que les dispositifs recommandés
	Le joint statique fuit	Serrez les vis et remplacez le joint statique
	Le joint torique de la soupape de déclenchement est coupé ou trop usé	Remplacez le joint torique
	Mandrin brisé ou détérioré	Remplacez le mandrin (vérifiez le joint torique du piston)
	Le magasin contient des impuretés ou n'est suffisamment lubrifié	Nettoyez/lubrifiez; utilisez le lubrifiant pour outil pneumatique BOSTITCH
	Magasin trop usé	Remplacez le magasin
Attaches coincées dans l'outil	Rainure du mandrin usée	Remplacez le nez de pose
	Taille incorrecte des dispositifs de fixation	N'utilisez que les dispositifs recommandés
	Dispositifs de fixation pliés	Cessez d'utiliser ce type de dispositif
	Les vis du nez de pose ou magasin sont desserrées	Resserrez toutes les vis
	Mandrin brisé ou détérioré	Remplacez le mandrin
Échec des dispositifs de fixation connecteur métallique du guide (pour le F21PL, F33PT)	Guide cassé ou écaillé	Remplacez le guide
	Ressort de torsion 158457 cassé / manquant	Remplacez le ressort de torsion (graissez avant l'installation)
	Pendule cassé	Remplacez la pendule et le ressort de torsion
	Goupille 158455 cassée	Remplacez la goupille et le ressort de torsion



## Free Manuals Download Website

<http://myh66.com>

<http://usermanuals.us>

<http://www.somanuals.com>

<http://www.4manuals.cc>

<http://www.manual-lib.com>

<http://www.404manual.com>

<http://www.luxmanual.com>

<http://aubethermostatmanual.com>

Golf course search by state

<http://golfingnear.com>

Email search by domain

<http://emailbydomain.com>

Auto manuals search

<http://auto.somanuals.com>

TV manuals search

<http://tv.somanuals.com>