

# Micro90c II

# Micro90x II

# Micro80x II

**Micro Speaker Series**



***Boston***  
*Boston Acoustics*

# Specifications

	Micro90c II	Micro90x II	Micro80x II
Frequency Response ( $\pm 3$ dB)	100–20,000Hz	120–20,000Hz	120–20,000Hz
Recommended Amplifier Power	15–125 watts	15–125 watts	15–100 watts
Nominal Impedance	8 ohms	8 ohms	8 ohms
Sensitivity [1 watt (2.83v) at 1m]	90dB	89dB	89dB
Tweeter	1" (25mm) aluminum dome	1" (25mm) aluminum dome	$\frac{3}{4}$ " (19mm) dome
Bass Unit	(dual) $3\frac{1}{2}$ " (89mm) copolymer	$3\frac{1}{2}$ " (89mm) copolymer	$3\frac{1}{2}$ " (89mm) copolymer
Crossover Frequency	2500Hz	3800Hz	4500Hz
Dimensions (HxWxD)	$4\frac{3}{4}$ x 12 x $5\frac{1}{4}$ " (120 x 300 x 132mm)	$6\frac{7}{8}$ x $4\frac{1}{4}$ x $5\frac{3}{4}$ " (175 x 108 x 146mm)	$6\frac{7}{8}$ x $4\frac{1}{4}$ x $5\frac{3}{4}$ " (175 x 108 x 146mm)
Weight	11 lbs (5kg)	6 lbs ea. (3kg)	4 lbs ea. (2kg)
Finish	Black or silver	Black or white	Black or white

## Description

### Micro90c II Center Channel Speaker System

The Micro90c II center channel speaker system delivers exceptionally articulate on-screen dialog and effects from a small, sleek package. Point-source driver spacing and a low crossover frequency assure wide, uniform horizontal dispersion for complete coverage of the listening area.

MagnaGuard® magnetic shielding ensures the speaker's magnetic field does not interfere with the television's picture.

### Micro90x II and Micro80x II Satellites

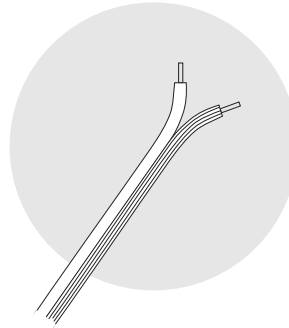
Micro Reference satellites are ideally suited for use as surround speakers in a high-quality home theater system, or as extension speakers for another room in the house. The included wall-mount brackets make installation easy, and MagnaGuard® magnetic shielding allows placement next to a television or computer monitor.

# How to Wire Your Speakers

You need to wire your speakers correctly to obtain the best sound quality and the proper image. Wiring should just take a few minutes, but it's important to do it carefully, since incorrect wiring (such as reversed connections) can result in a poor soundstage or poor bass.

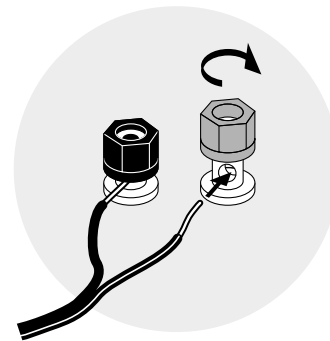
We recommend using 18-gauge or larger speaker wire for runs up to 25 feet (8m), and thicker 16-gauge or larger for longer runs. Strip 1/2" (12mm) of insulation off the ends of each speaker cable to expose the two conductors and tightly twist the wire strands. Maintain consistency of the + (red) and - (black) connections by using the markings on the wire.

**IMPORTANT:** Typically, one side of the wire is smooth. Connect this side to the - (black) connection. The other side has a rib or stripe. Connect this to the + (red) connection.



**Using the five-way binding posts:** The binding posts permit easy connection to banana plugs, pins, spade lugs, and bare wire. The metal surfaces are plated with 24K gold to prevent corrosion.

Insert the wire in the hole and tighten.

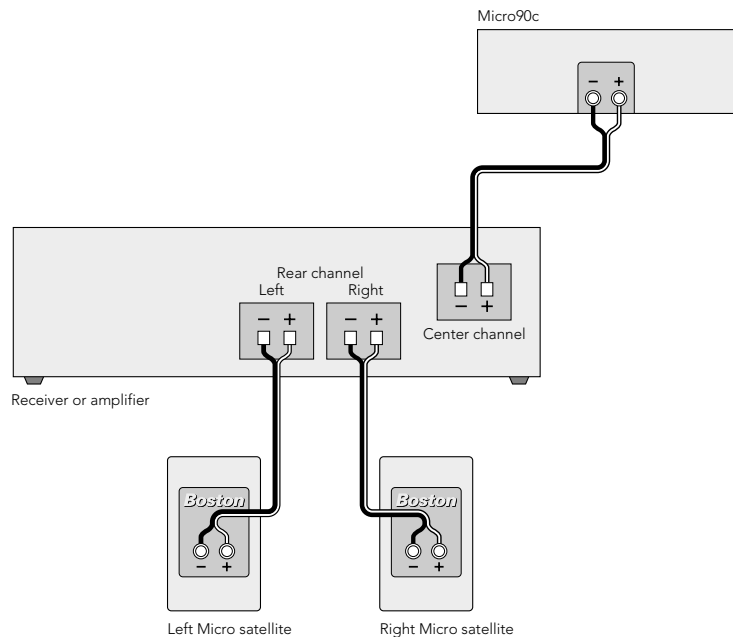


# Connections

**WARNING:** To prevent electrical shock, always switch off the amplifier or receiver when making connections to the speaker.

## Micro90c II Center Channel Connections

Connect the speaker's terminals to the center channel terminals on the amplifier or receiver. Maintain consistency of the + (red) and - (black) connections by using the markings on the wire.



## Micro90x II and Micro80x II Satellite Connections

Connect the satellites to the amplifier or receiver terminals designated for surround or rear channel effects. Usually, these will be labeled as "Left Rear" and "Right Rear."

Maintain consistency of the + (red) and - (black) connections by using the markings on the wire.

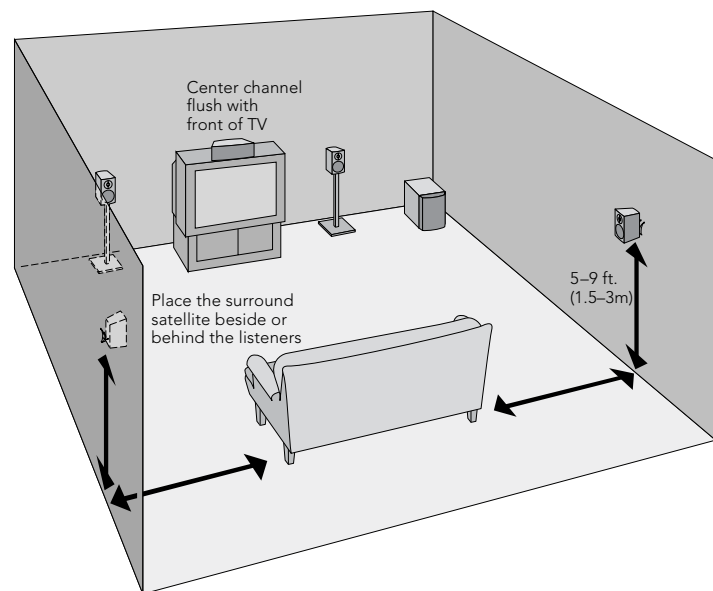
**IMPORTANT:** Be sure to hook + to +, - to -.

# Placement

## Micro90c II Center Channel Placement

Place the Micro90c II as close to the TV monitor as possible, with its front panel flush with the front of the television.

Self-adhesive rubber feet are included with the Micro90c II to protect the TV's finish and prevent vibration.



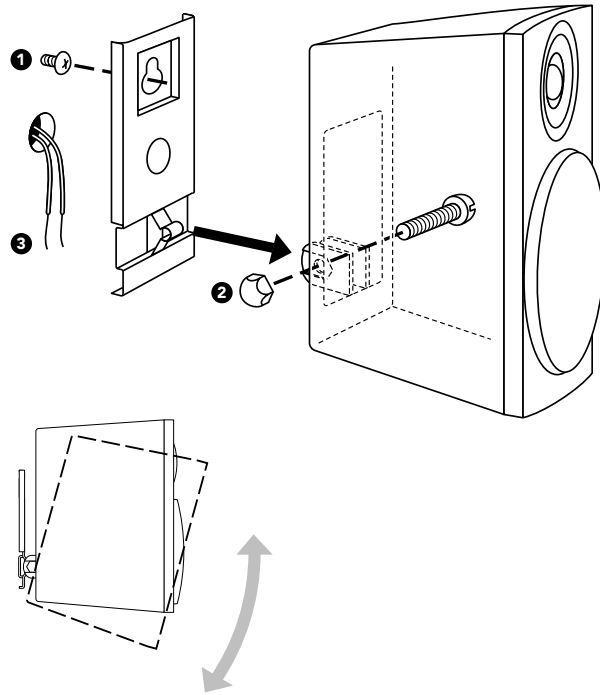
## Micro90x II and Micro80x II Satellite Placement

For the most realistic surround effects, place the surround speakers so the sound is diffused around the listening area. Avoid pointing them directly at the listeners.

## Wall-Mounting the Micro Satellites

The Micro satellites may be wall-mounted using the included keyhole bracket.

- ❶ Install a #8 or #10 mounting screw on the wall (not supplied—consult a knowledgeable installer regarding the proper hardware to use on your wall).
- ❷ Attach the bracket to the back of the speaker with the machine screw and acorn nut as shown.
- ❸ If you are running wires behind the wall, make a  $\frac{3}{8}$ " (9.5mm) wire hole,  $1\frac{3}{4}$ " (44mm) below the mounting screw for the wire.



The speaker may be angled for optimum coverage of the listening area.

An optional pedestal shelf stand/wall-mount bracket (Model MRB II) is available for the Micro90x II and Micro80x II that provides greater positioning flexibility. For more information, contact your dealer or Boston Acoustics directly.

## Setting Up Your Home Theater System

**Volume Levels:** To obtain the best home theater effect, match the sound levels of each speaker. Home theater systems include a test signal that simplifies this level matching. Refer to the instructions provided with your surround sound electronics.

**Center Channel Mode:** Generally, with all surround systems, including Dolby® ProLogic® and Dolby® Digital, the center channel mode should be set to "NORMAL" or "SMALL." This setting diverts low bass to the front left and right channels, and will result in the greatest total system bass output. The "NORMAL" or "SMALL" center speaker setting ensures the subwoofer receives the most bass information under all conditions. The "Phantom" setting, which presumes you do not have a center channel speaker, should not be used.

**Surround Channel Mode:** If your electronics have a surround channel mode, it should also be set to "NORMAL" or "SMALL." This setting will divert any low bass in the surround channels to the subwoofer.

## Listening Levels and Power-Handling

The power recommendation for the system assumes that you will operate the amplifier in a way that will not produce distortion. Even our rugged speakers can be damaged by a modest amplifier if it produces distortion. If you hear a harsh, gritty noise, turn down the volume. Prolonged or repeated operation of your speaker with a distorted signal from the amplifier can cause damage that is not covered by the warranty.

## Limited Warranty

For five years from the date of purchase, Boston Acoustics will repair for the original owner any defect in materials or workmanship that occurs in normal use of the Micro90c II, Micro90x II or Micro80x II speakers, without charge for parts and labor.

Your responsibilities are to use the system according to the instructions supplied, to provide safe and secure transportation to an authorized Boston Acoustics service representative and to present proof of purchase in the form of your sales slip when requesting service.

Excluded from this warranty is damage that results from abuse, misuse, accidents, shipping or repairs or modifications by anyone other than an authorized Boston Acoustics service representative.

*This warranty is void if the serial number has been removed or defaced.*

This warranty gives you specific legal rights, and you may also have other rights which vary from state to state.

## If Service Seems Necessary

First, contact the retailer from whom you purchased the speaker(s). If that is not possible, write to:

Boston Acoustics, Inc., 300 Jubilee Drive, Peabody, MA 01960.

We will promptly advise you of what action to take. If it is necessary to return your speaker to the factory, please ship it prepaid. After it has been repaired, we will return it freight prepaid in the U.S. and Canada.

**Boston**

*Boston Acoustics*

[www.bostonacoustics.com](http://www.bostonacoustics.com)

300 Jubilee Drive

Peabody, MA 01960 U.S.A.

978-538-5000

Boston, Boston Acoustics, and MagnaGuard are registered trademarks of Boston Acoustics, Inc. Dolby, ProLogic, and Dolby Digital are registered trademarks of Dolby Laboratories Licensing Corporation.

© 2001 Boston Acoustics, Inc. All rights reserved.

Specifications subject to change without notice.

042-001381-0

## Free Manuals Download Website

<http://myh66.com>

<http://usermanuals.us>

<http://www.somanuals.com>

<http://www.4manuals.cc>

<http://www.manual-lib.com>

<http://www.404manual.com>

<http://www.luxmanual.com>

<http://aubethermostatmanual.com>

Golf course search by state

<http://golfingnear.com>

Email search by domain

<http://emailbydomain.com>

Auto manuals search

<http://auto.somanuals.com>

TV manuals search

<http://tv.somanuals.com>