



Figure 1

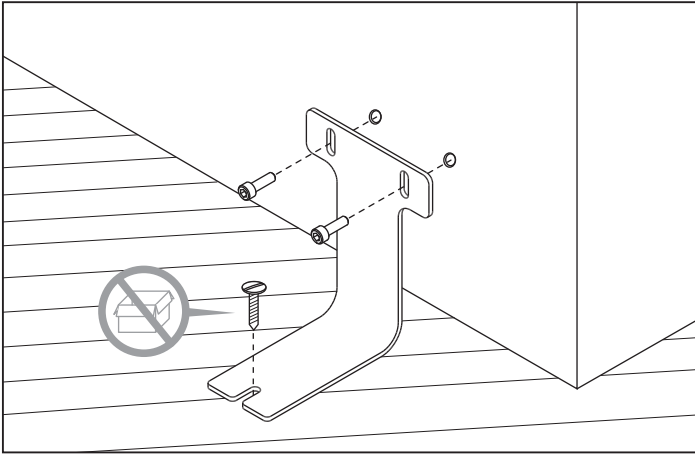


Figure 2

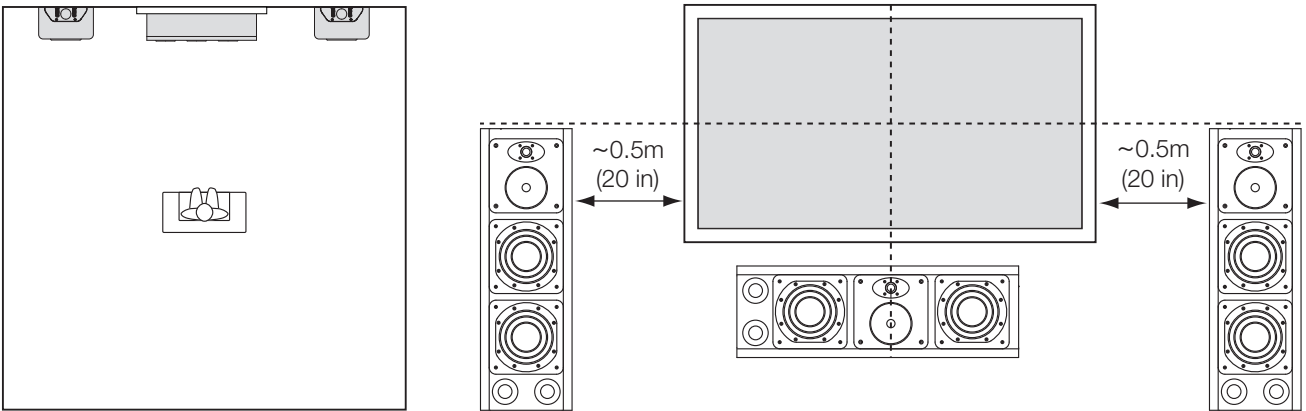


Figure 3a

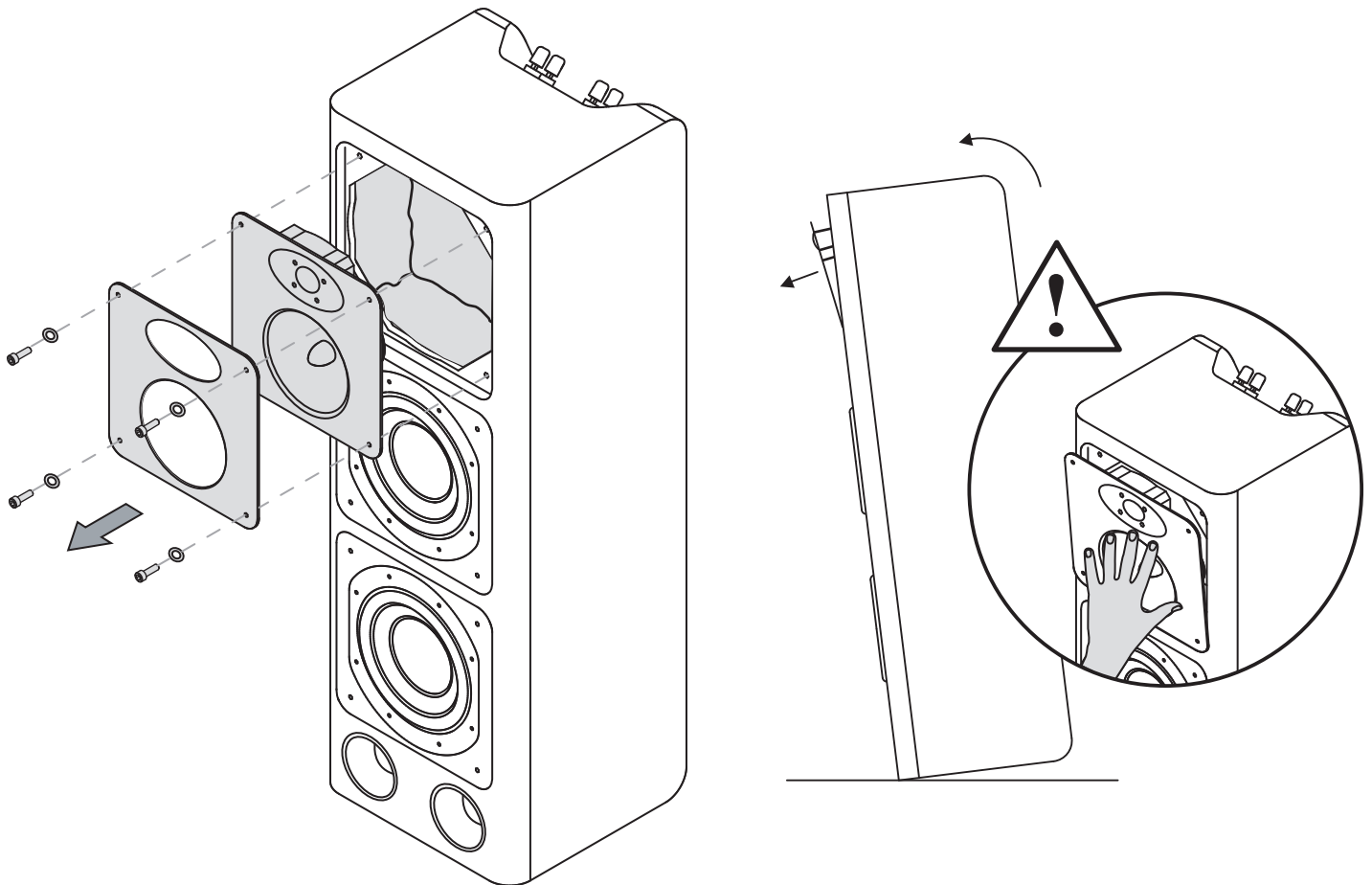


Figure 3b

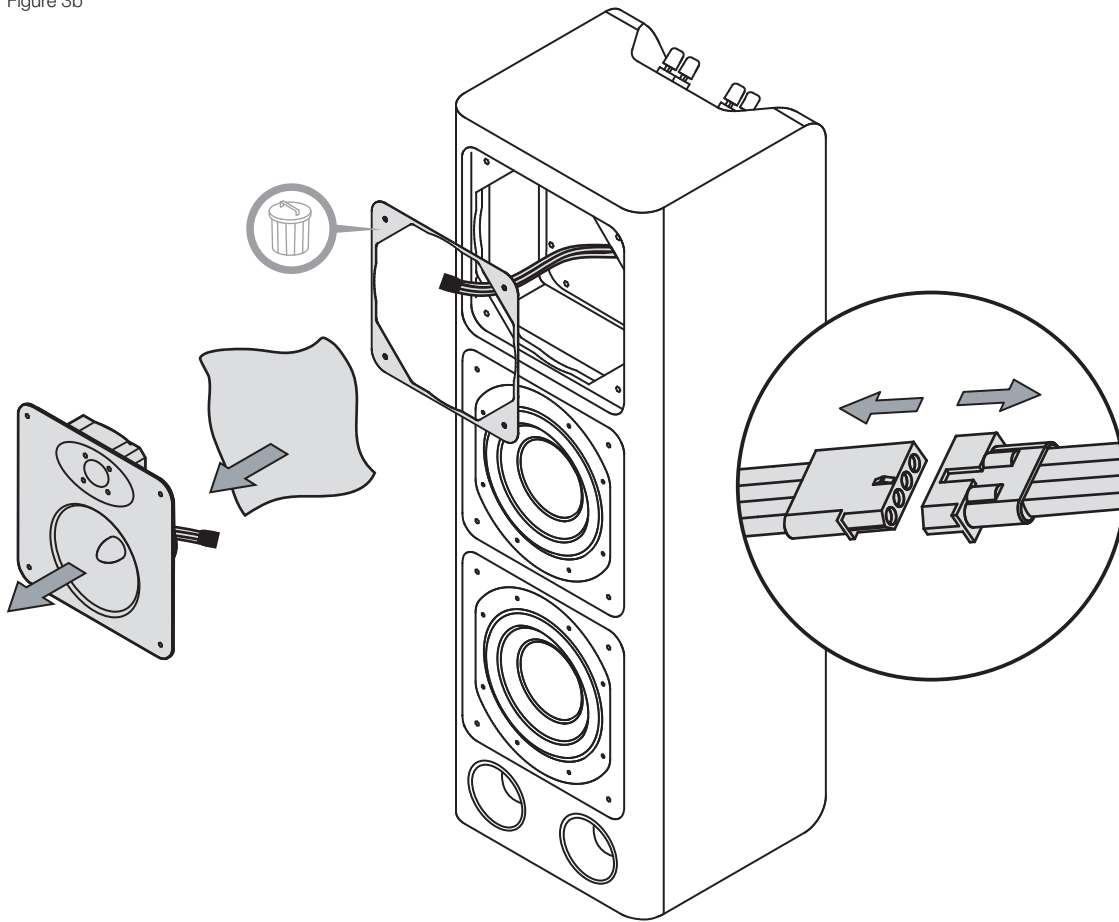


Figure 3c

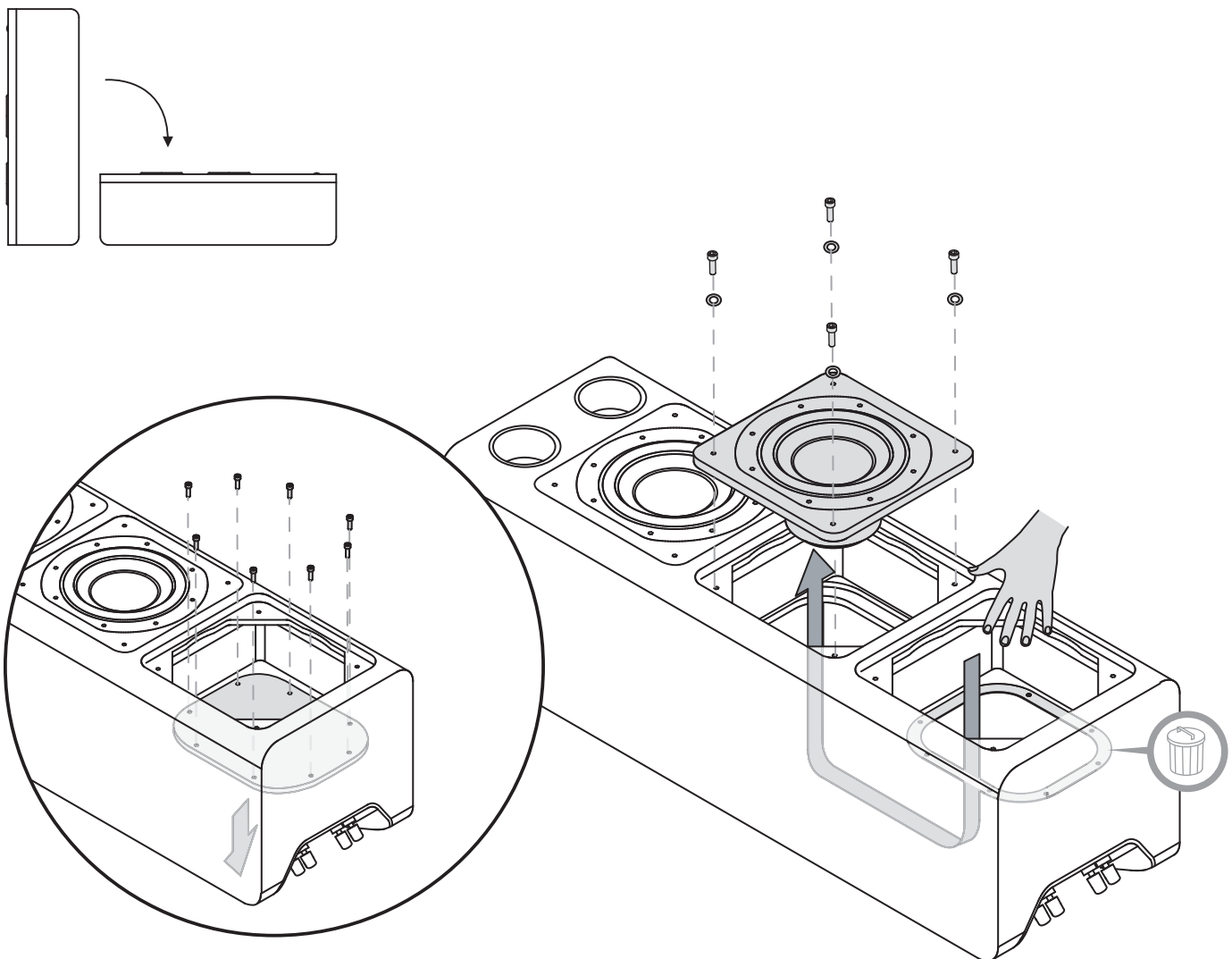


Figure 3d

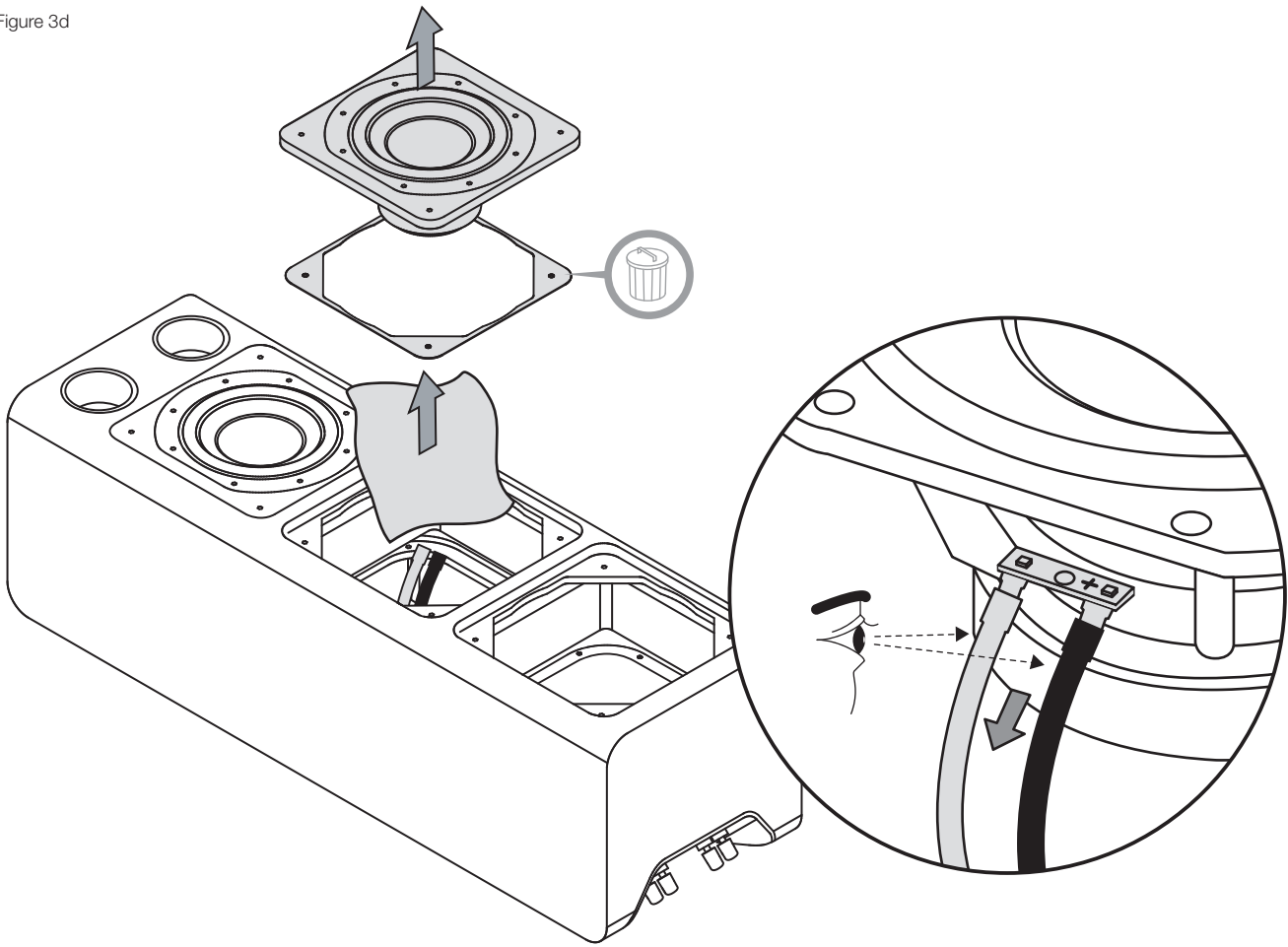


Figure 3e

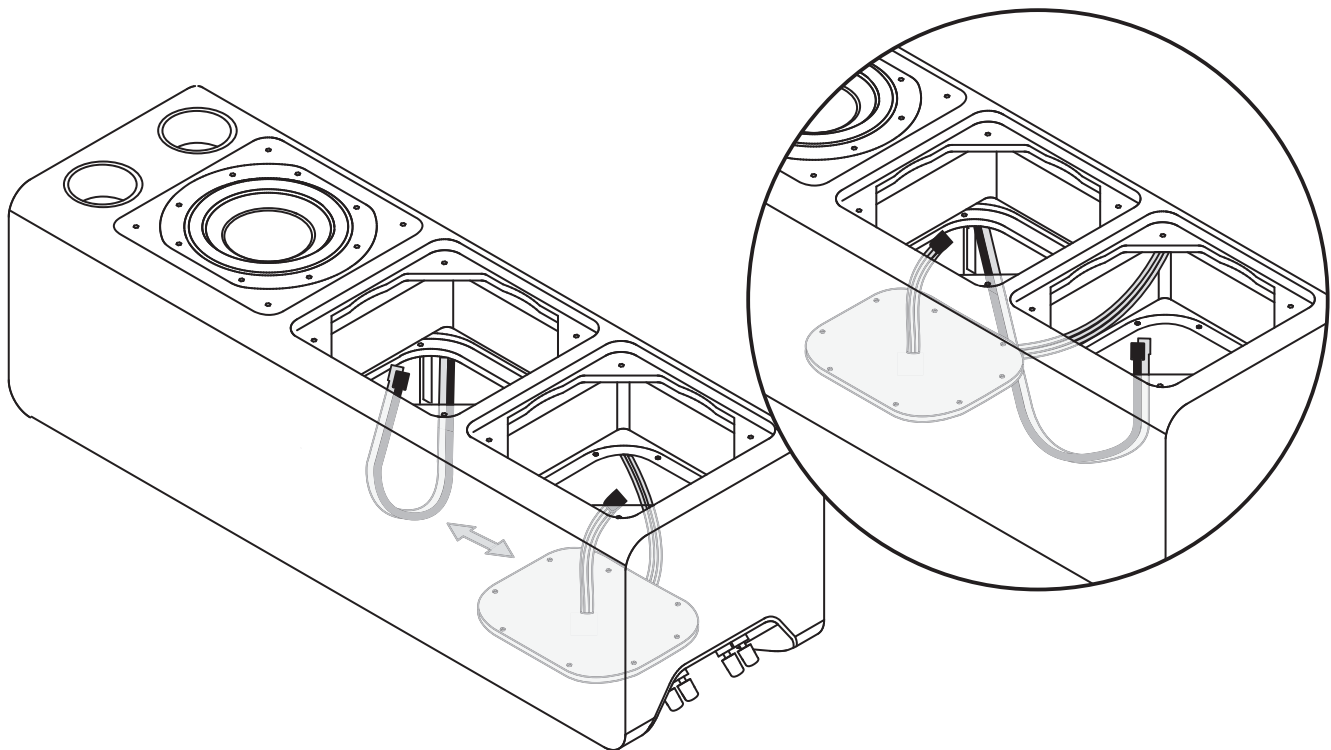


Figure 3f

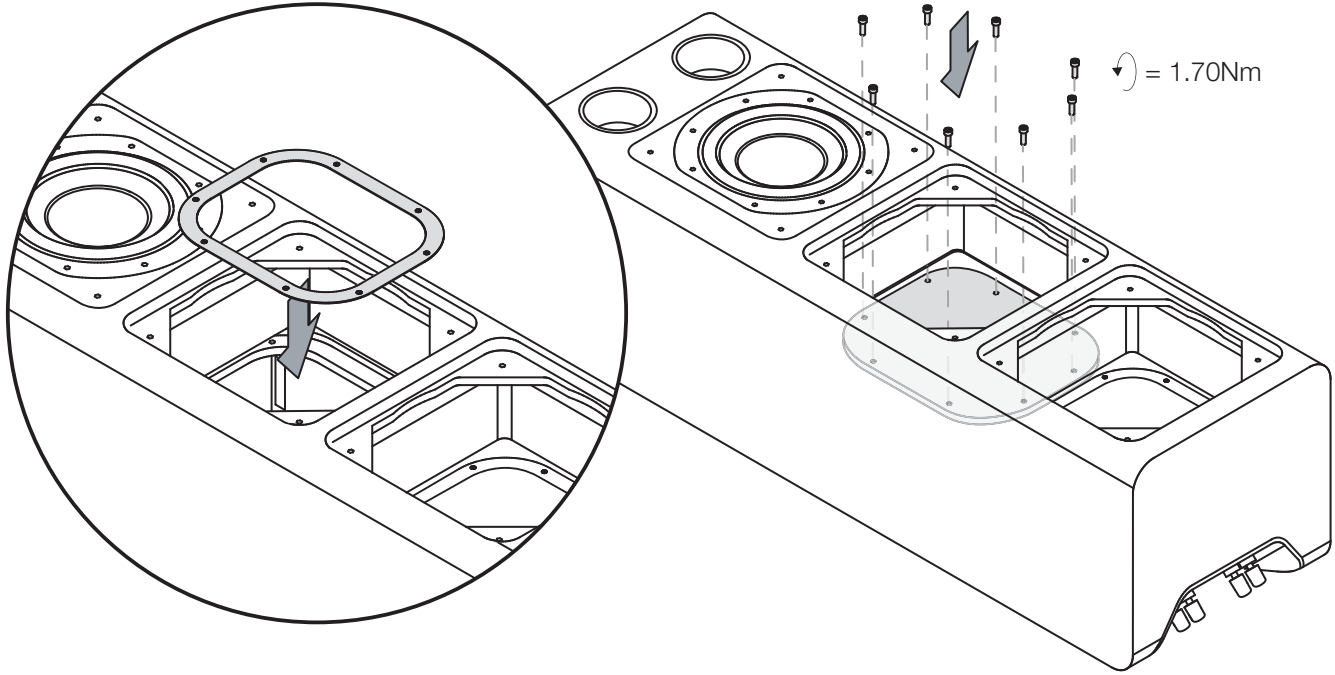


Figure 3g

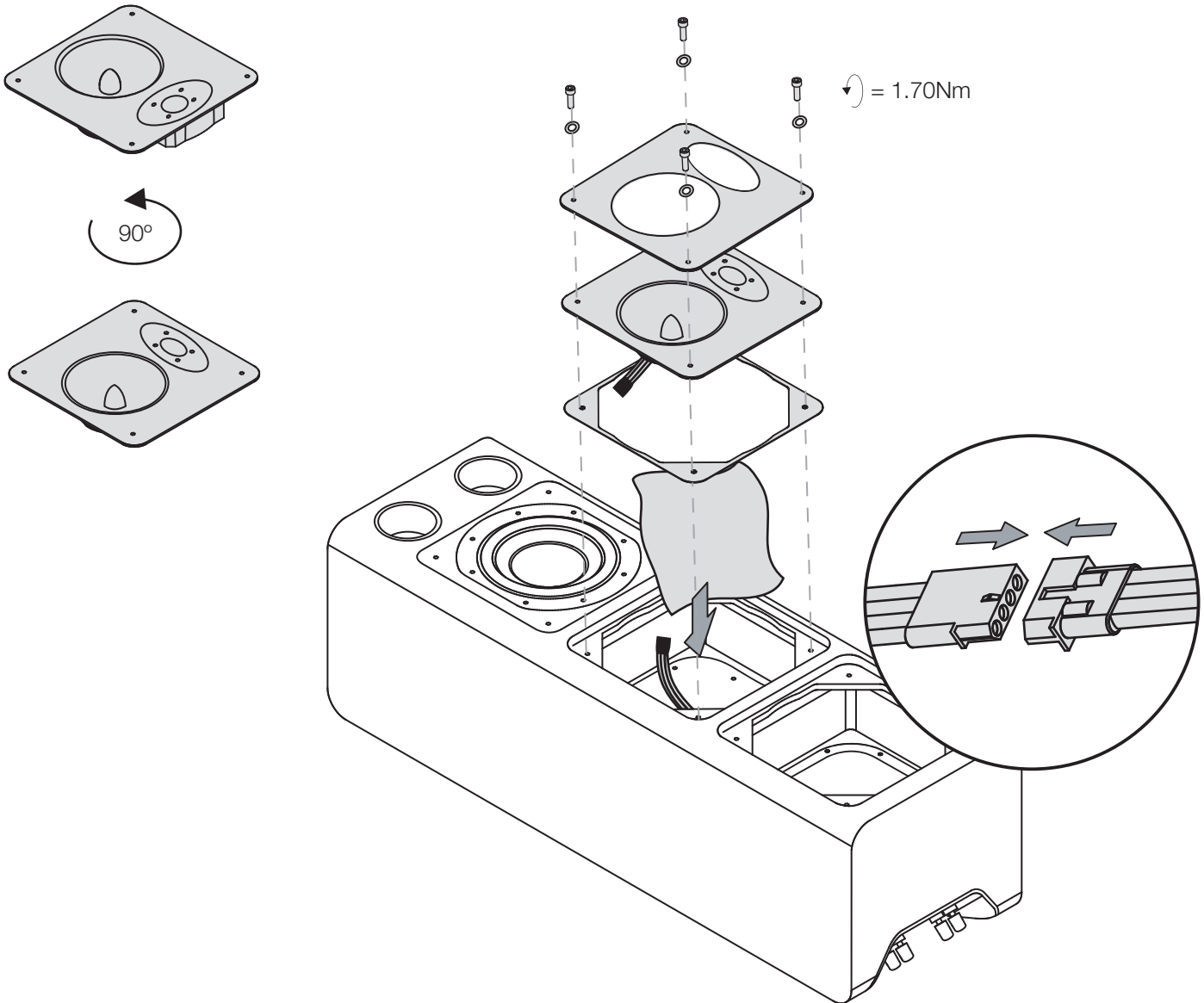


Figure 3h

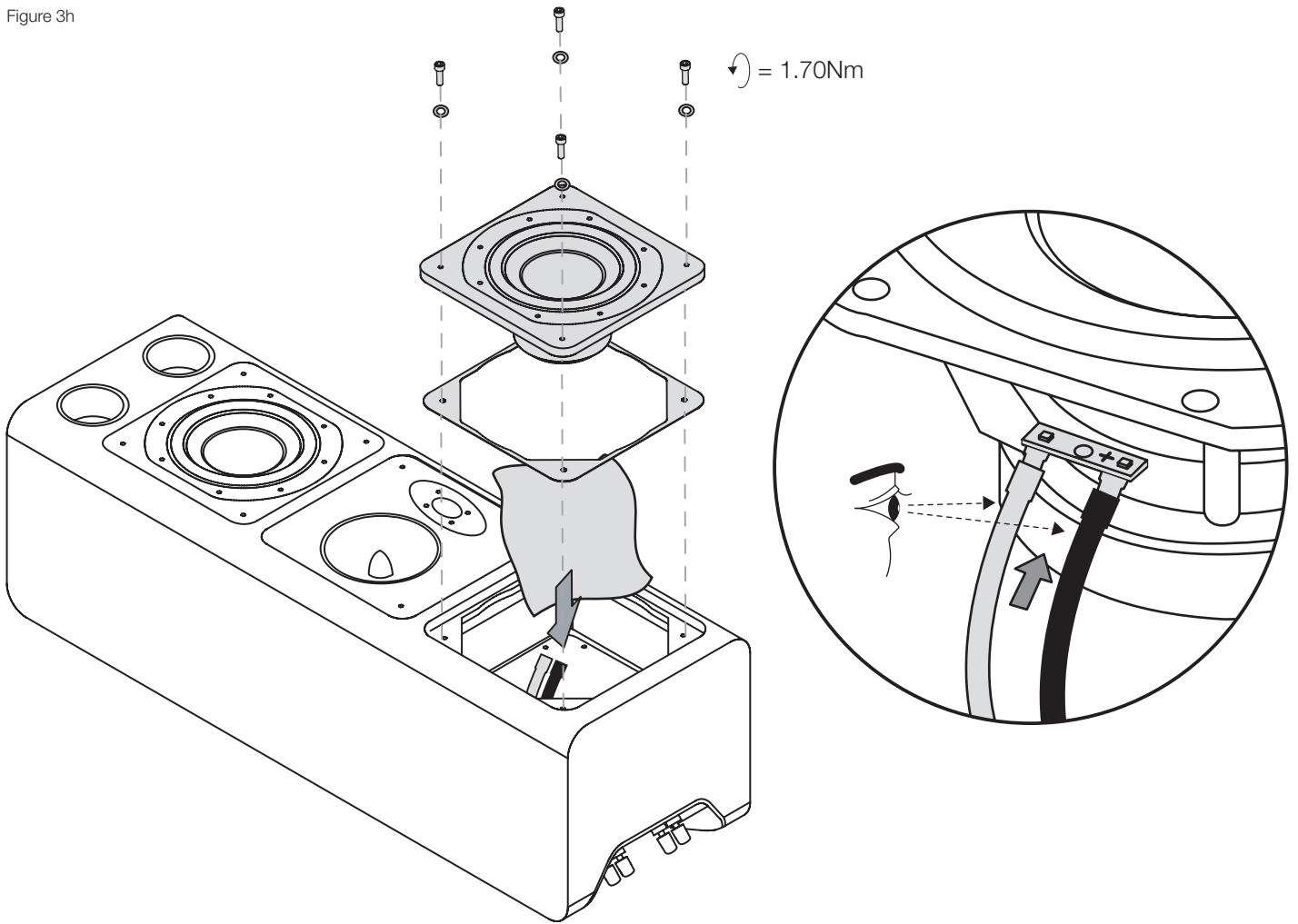


Figure 4a

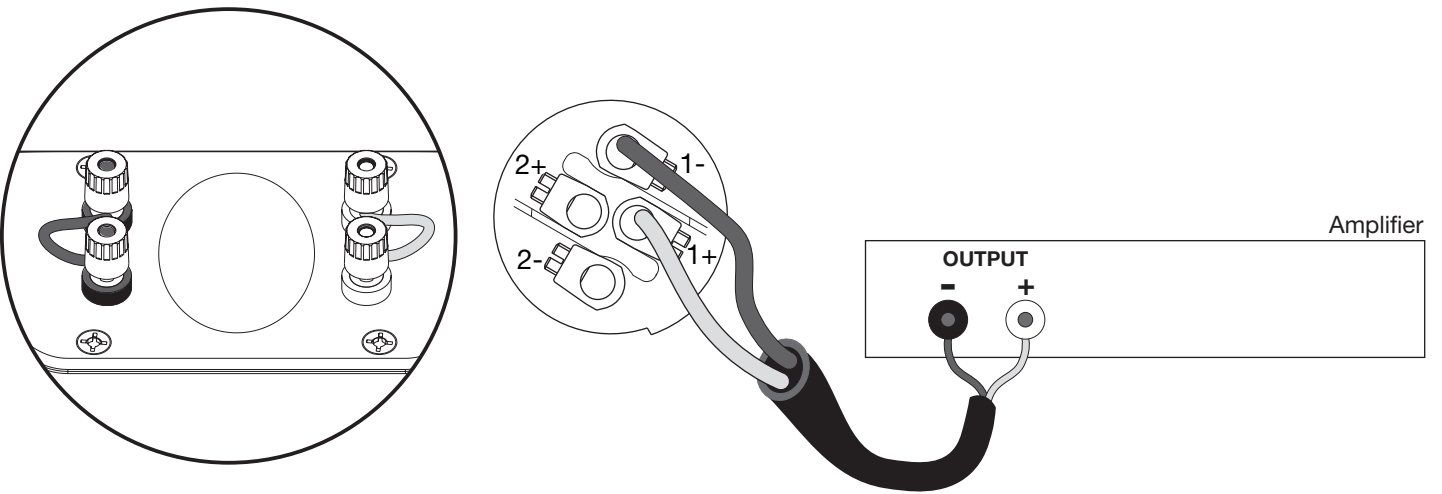


Figure 4b

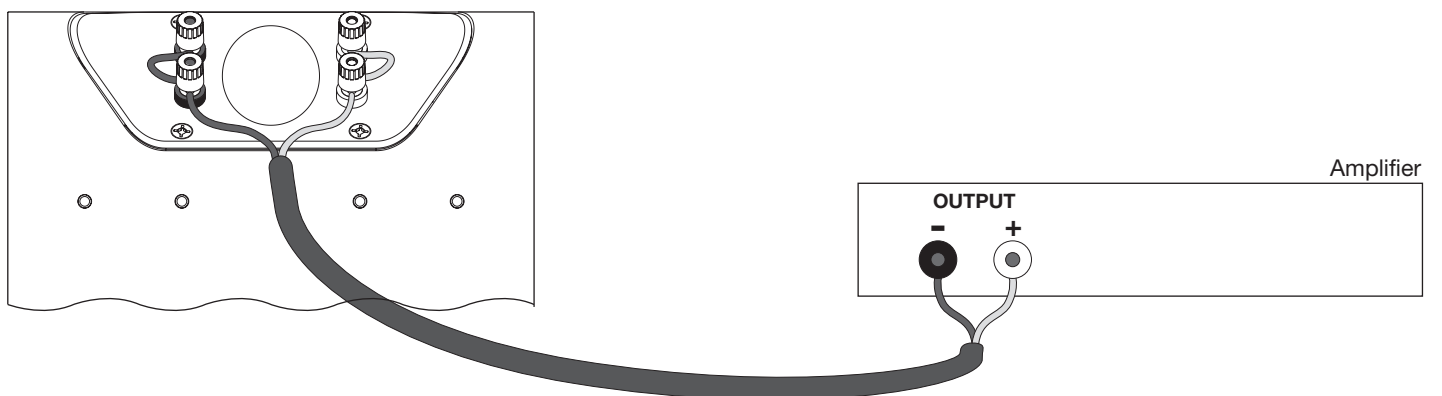


Figure 5a

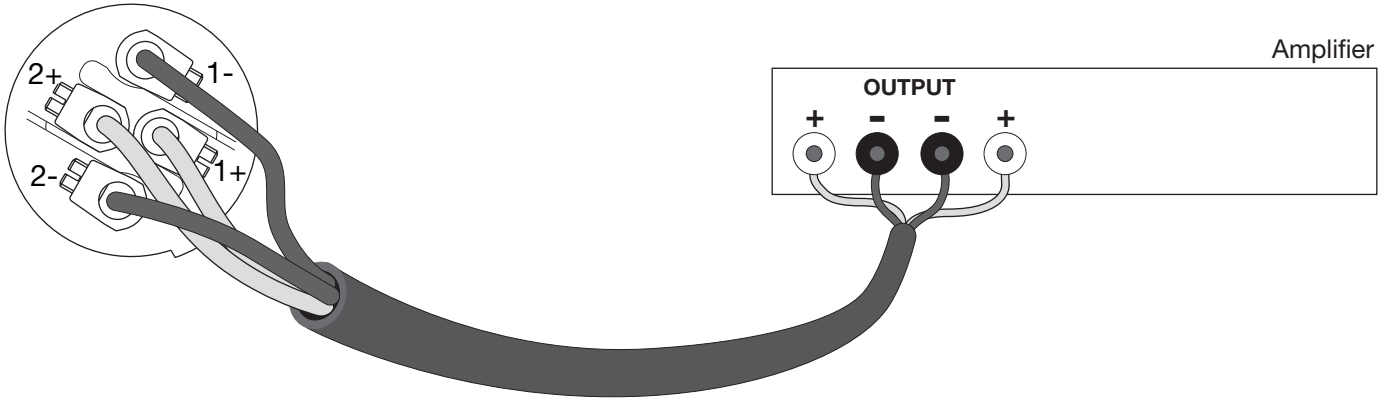
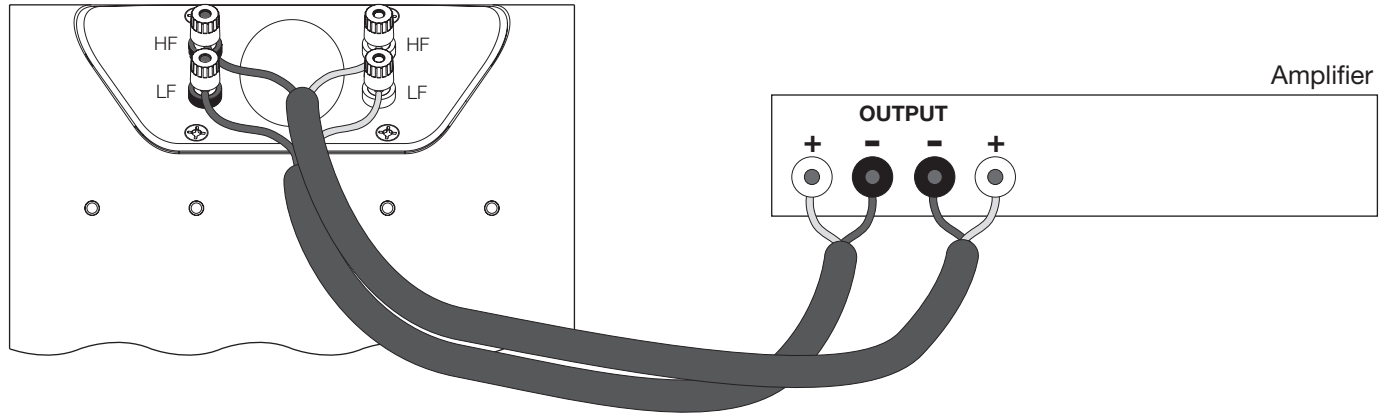
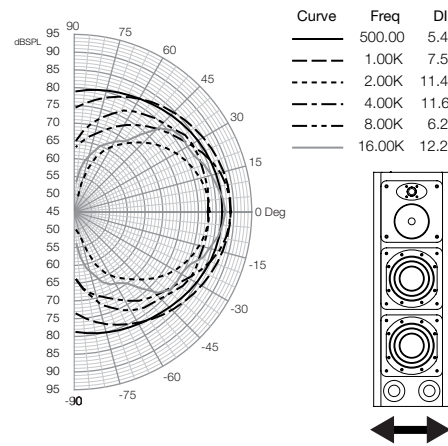


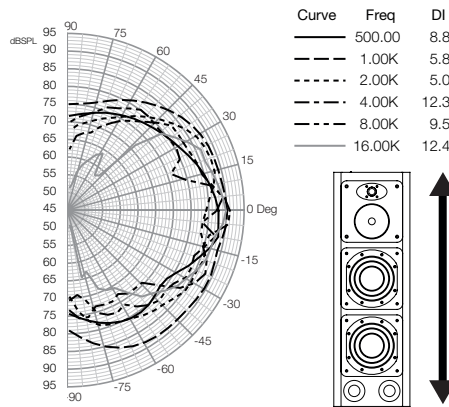
Figure 5b



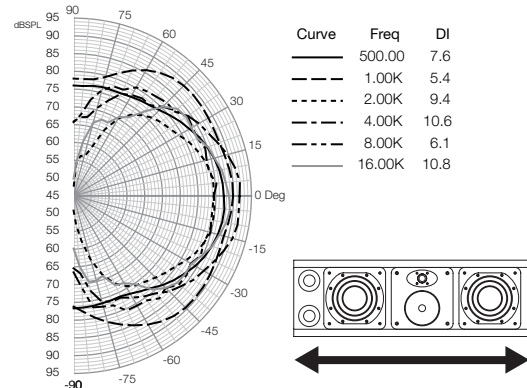
Polar Response Horizontal



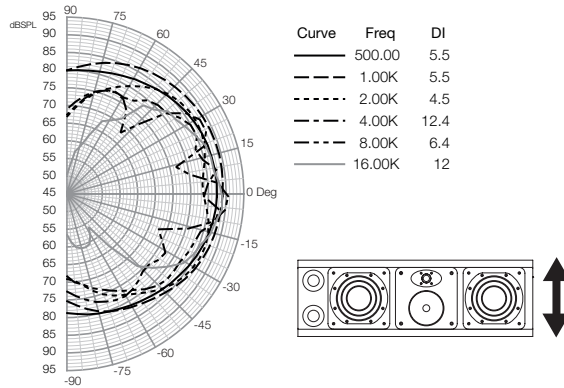
Polar Response Vertical



Polar Response Horizontal



Polar Response Vertical



Contents

English		
Owner's Manual	8	
Limited Warranty	9	
Français		
Manuel d'utilisation.....	10	
Garantie limitée	11	
Deutsch		
Bedienungsanleitung	12	
Garantie.....	13	
Español		
Manual de instrucciones.....	14	
Garantía limitada	15	
Italiano		
Manuale di istruzioni.....	16	
Garanzia limitata	17	
Nederlands		
Handleiding.....	18	
Garantie.....	19	
Ελληνικά		
Οδηγίες Χρήσεως.....	20	
Περιορισμένη εγγύηση	21	
Русский		
Руководство по эксплуатации.....	22	
Ограниченная гарантия.....	24	
Česky		
Návod k použití	24	
Záruka.....	25	
Polski		
Instrukcja użytkownika	26	
Gwarancja.....	27	
简体中文		
用户手册	28	
有限保修	29	
繁體中文		
用戶手冊	30	
有限保修	30	
EU Declaration of Conformity.....	35	
Technical Specifications.....	36	

English

Owner's manual

Dear customer,

Thank you for choosing Bowers & Wilkins. Please read this manual fully before unpacking and installing the product. It will help you to optimise its performance. B&W maintains a network of dedicated distributors in over 60-countries who will be able to help you should you have any problems your dealer cannot resolve.

Environmental Information



All B&W products are designed to comply with international directives on the Restriction of Hazardous Substances (RoHS) in electrical and electronic equipment and the disposal of Waste Electrical and Electronic Equipment (WEEE). These symbols indicate compliance and that the products must be appropriately recycled or processed in accordance with these directives. Consult your local waste disposal authority for guidance.

Carton Contents

Check in the carton for:

- 1 Speakon plug
- 2 x foot brackets
- 4 x M6 bolts
- 2 x Foam Plugs
- 2 x Baffle Gaskets
- 1 x Panel Gasket
- 1 x 5mm Allen Key

Speaker Installation

The CT8.2 speaker is intended for use in home theatre front and centre channel applications. In centre channel applications it can be used in either standard vertical (portrait) orientation or reconfigured to horizontal (landscape) orientation by swapping the positions of its mid/high frequency driver module and upper bass driver module. Reconfiguring a CT8.2 for horizontal centre channel use is covered in a later section of this manual.

The CT8.2 is intended to be either floor mounted or incorporated within custom-built furniture. Foot brackets are supplied to secure the speaker. The foot brackets are designed to stop the speaker toppling forward if standing on the floor, a shelf or other flat supporting structure. The foot brackets attach to the back of the CT8.2s via M6 threaded holes. Using the supplied M6 bolts, securely attach the foot brackets to the CT8.2 back panels. The brackets should be secured such that their flat section rests on the floor. The single slotted hole can then be used to attach the bracket to the supporting surface. Use an appropriate screw and a plug if necessary. Figure 1 illustrates use of the foot bracket.

Regardless of the style of installation, take care when lifting the speaker into position. It is unwieldy and heavy and best handled by two people working together. B&W can accept no liability for any failure of walls, floors, furniture and/or fixings.

Speaker Positioning

CT8.2 speakers used for the front channels in a home theatre system should be positioned on the floor or built in to furniture units one on each side of the screen. They should be within approximately 0.5m (20 in) of the sides of the screen to help keep the sound image in scale with the visual image. See Figure 2.

A CT8.2 speaker used for the centre channel in a home theatre system should be positioned in horizontal orientation centrally either directly above or below the screen. In the case of acoustically transparent screens, the centre channel speaker should be positioned centrally behind the screen. In this case, standard vertical configuration of the CT8.2 may be appropriate. See Figure 2.

CT8.2 Landscape Centre Channel Configuration

The CT8.2 can be reconfigured to operate as a horizontal (landscape) format centre channel speaker by swapping the positions of its upper bass driver and mid/high frequency driver modules. The mid/high frequency driver module must also be rotated by ninety degrees. The procedure is described below and illustrated in the accompanying figures.

You will need an M5 and an M4 hexagonal driver, and space to lay the speaker on its back and work around it. A second person to assist is also recommended. Take great care throughout the procedure. The speaker drivers in particular are delicate, precision components that can be damaged by inappropriate handling. It is therefore also recommended to use the tweeter protection cover throughout the entire procedure.

Step 1 (Figure 3a)

With the speaker upright, unscrew and remove the four M5 bolts retaining the mid/high frequency driver module in the cabinet. Restrain the module with one hand as the last bolt is removed to negate the possibility of it falling. Put the screws, washers and the trim plate to one side.

Step 2 (Figure 3a)

The module may begin to fall forward as you remove your hand. If it does, it may be drawn carefully away from the cabinet. If it does not, you may need to tip the cabinet forward slightly in order to free the module and gain some purchase on it. Keep a hand on the module as you tip the cabinet.

Step 3 (Figure 3b)

As the mid/high frequency driver module is moved away from the cabinet, its connecting cables will be revealed. The in-line connector positioned halfway along the cables must be disconnected. While a helper supports the driver module, hold each side of the connector and pull it apart.

Step 4 (Figure 3b)

Once the mid/high frequency driver module is disconnected, it can be withdrawn completely from the cabinet and placed to one side. The wadding material from behind the module should also be removed and placed to one side. The mid/high frequency driver module sealing gasket should be removed and discarded.

Step 5 (Figure 3c)

The speaker should now be gently laid on its back for removal of the upper bass driver module. Remove the four M5 bolts retaining the bass driver module in the cabinet. Place the bolts and washers to one side.

Step 6 (Figure 3c)

Push the bass driver module from behind to release it. In order to gain access to the back of the module the removable panel in the cabinet behind the mid/high frequency driver module must be removed. Unscrew and remove the eight M4 bolts securing the panel and drop it through the hole. Remove and discard the gasket. Place the bolts to one side. Put your hand through the hole to reach the back of the bass driver module and carefully push it upwards.

Step 7 (Figure 3d)

Once the bass driver module has been pushed upwards slightly from inside the cabinet it can be lifted away. After noting the orientation of the coloured cables, disconnect the driver by pulling the tags off the connection spades. Place the bass driver module to one side. The wadding material from behind the module should also be removed and placed to one side. The bass driver module sealing gasket should be removed and discarded.

Step 8 (Figure 3e)

The cables for the bass driver module and mid/high frequency module can now be swapped to their new locations. Feed the mid/high frequency cables, including the attached internal panel, through the cabinet to the region vacated by the bass driver module. Feed the bass driver cables to the region of the cabinet vacated by the mid/high frequency module.

Step 9 (Figure 3f)

Position and re-secure the internal panel in the new mid/high frequency region of the cabinet using a new gasket and the eight M4 bolts. Tighten the bolts to a torque of 1.70Nm. Be careful that no wadding gets trapped as the panel is screwed down.

Step 10 (Figure 3g)

Replace the wadding in the mid/high frequency module cavity and position a new gasket on its cabinet mating surface. Take the mid/high frequency module, reconnect the in-line connector and position the module on the cabinet rotated by 90° so that the tweeter is positioned adjacent to one edge. Position the trim plate and replace the four M5 screws and washers. Tighten the screws to a torque of 1.70Nm.

Note: It is not generally significant which side of the cabinet the tweeter is located (i.e. if the mid/high frequency module is rotated 90° clockwise or anti-clockwise).

Step 11 (Figure 3h)

Replace the wadding in the bass driver module cavity and position a new gasket on its cabinet mating surface. Take the bass driver module, reconnect the push-on tags to the driver and position the module on the cabinet. Replace the M5 screws and washers and tighten them to a torque of 1.70Nm. The reconfigured CT8.2 is now ready for use as a landscape format centre channel speaker.

Note: It is potentially possible to reconnect bass driver with the wrong polarity. To check bass driver polarity following reconnection, briefly connect a 1.5V battery to the bass input terminals, with the positive terminal of the battery connected to the positive input terminal. Both cones should move outwards.

Stray Magnetic Fields

The speaker drive units create stray magnetic fields that extend beyond the boundaries of the cabinet. We recommend you keep magnetically sensitive articles (CRT television and computer screens, computer discs, audio and video tapes, swipe cards and the like) at least 0.5m (20 in) from the speaker. LCD and plasma screens are not affected by magnetic fields.

Connections

All connections should be made with the equipment switched off.

CT8.2 speakers have two pairs of binding post connection terminals and one Neutrik® Speakon connection socket on their back panels. The binding post terminals provide quick and easy connection of stripped wires while Speakon sockets provide a more secure and reliable connection method. Both Speakon and binding post terminal connection methods provide the opportunity to bi-wire the speakers.

To connect the speakers in conventional single-wire mode using the Speakon option, insert a short length of stripped cable through the body of each binding post terminal and tighten the terminal head then disassemble the Speakon plug as shown in Figure 4a and connect the positive cable to the terminal marked +1 and the negative cable to the terminal marked -1. Incorrect connection can result in poor imaging and loss of bass. Once the plug is reassembled it can be inserted into the socket and locked by twisting clockwise.

To connect the speakers in conventional single-wire mode using the binding post terminals, insert a short length of stripped cable through the body of each terminal and tighten the terminal head. Connect the positive cable to one of the red terminals and the negative cable to the corresponding black terminal as illustrated in Figure 4b. Incorrect connection can result in poor imaging and loss of bass.

To connect the speakers in bi-wire mode using either the binding post terminals or the Speakon socket

If the Speakon option is to be used, disassemble the Speakon plug as shown in Figure 5a and connect one pair of positive and negative cables to the terminals marked +1 and -1 and the second pair of positive and negative cables to the

terminals marked +2 and -2. Ensure that positive cables are connected to the +-terminals and the negative cables connected to the – terminals. Incorrect connection can result in poor imaging and loss of bass. Once the plug is reassembled it can be inserted into the socket and locked by twisting clockwise.

If the binding post terminals are to be used, connect one pair of positive and negative cables to the terminals marked LF and the second pair of positive and negative cables to the terminals marked HF. Ensure that positive cables are connected to the red terminals and the negative cables connected to the black terminals as illustrated in Figure 5b. Incorrect connection can result in poor imaging and loss of bass.

Ask your dealer for advice when selecting speaker cable. Keep its total impedance below the maximum recommended in the speaker specification and use a low inductance cable to avoid attenuation of high frequencies.

Neutrik® and the names of Neutrik® products referenced herein are either trademarks and/or service marks of Neutrik®.

Fine Tuning

Before fine tuning, make sure that all the connections in the installation are correct and secure.

If the sound is too bright, increasing the amount of soft furnishing in the room (heavier curtains for example) may help balance the sound. Conversely, reducing the amount of soft furnishing may help brighten a dull sound.

Some rooms suffer from “flutter echoes” – echoes that “bounce” between parallel room boundaries. Flutter echoes can colour the sound of the speakers in the room. Test for flutter echoes by standing in the middle of the room and clapping your hands. Flutter echoes can be reduced by placing irregular shaped items or non-reflective surfaces, bookshelves, rugs or pictures for example, on one of the offending walls or floor.

Running-in Period

The performance of the speaker will change subtly during the initial listening period. If the speaker has been stored in a cold environment, the damping compounds and suspension materials of the drive units will take some time to recover their correct mechanical properties. The drive unit suspensions will also loosen up during the first hours of use. The time taken for the speaker to achieve its intended performance will vary depending on previous storage conditions and how it is used. As a guide, allow up to a week for the temperature effects to stabilise and 15-hours of average use for the mechanical parts to attain their intended design characteristics.

However, longer run-in periods (as long as a month) have been reported and there is evidence to suggest that this has little to do with the speaker changing and more to do with the listener getting used to the new sound. This is especially so with highly revealing speakers such as these where there may be a significant increase in the amount of detail compared with what the listener has previously been used to; the sound may at first appear too “up front” and perhaps a little hard. After an extended period of time the sound will seem to mellow, but without losing clarity and detail.

Aftercare

The cabinet surfaces usually only require dusting. If you wish to use an aerosol or other cleaner, remove the grille first by gently pulling it away from the cabinet. Spray aerosols onto the cleaning cloth, not directly onto the product. Test a small area first, as some cleaning products may damage some of the surfaces. Avoid products that are abrasive, or contain acid, alkali or anti-bacterial agents. Do not use cleaning agents on the drive units. The grille fabric may be cleaned with a normal clothes brush whilst the grille is detached from the cabinet. Avoid touching the drive units, especially the tweeter, as damage may result.

Limited Warranty

This product has been designed and manufactured to the highest quality standards. However, if something does go wrong with this product, B&W Group Ltd. and its national distributors warrant free of charge labour (exclusion may apply) and replacement parts in any country served by an official B&W distributor.

This limited warranty is valid for a period of five years from the date of purchase or two years for electronics including amplified loudspeakers.

Terms and Conditions

- 1 The warranty is limited to the repair of the equipment. Neither transportation, nor any other costs, nor any risk for removal, transportation and installation of products is covered by this warranty.
- 2 This warranty is only valid for the original owner. It is not transferable.
- 3 This warranty will not be applicable in cases other than defects in materials and/ or workmanship at the time of purchase and will not be applicable:
 - a. for damages caused by incorrect installation, connection or packing,
 - b. for damages caused by any use other than correct use described in the user manual, negligence, modifications, or use of parts that are not made or authorised by B&W,
 - c. for damages caused by faulty or unsuitable ancillary equipment,
 - d. for damages caused by accidents, lightning, water, fire heat, war, public disturbances or any other cause beyond the reasonable control of B&W and its appointed distributors,
 - e. for products whose serial number has been altered, deleted, removed or made illegible,
 - f. if repairs or modifications have been executed by an unauthorised person.
- 4 This guarantee complements any national/regional law obligations of dealers or national distributors and does not affect your statutory rights as a customer.

How to claim repairs under warranty

Should service be required, please follow the following procedure:

- 1 If the equipment is being used in the country of purchase, you should contact the B&W authorised dealer from whom the equipment was purchased.
- 2 If the equipment is being used outside the country of purchase, you should contact the B&W national distributor in the country of residence who will advise where the equipment can be serviced. You can call B&W in the UK or visit our web site to get the contact details of your local distributor.

To validate your warranty, you will need to produce the warranty booklet completed and stamped by your dealer on the date of purchase. Alternatively, you will need the original sales invoice or other proof of ownership and date of purchase.

Français

Manuel d'utilisation

Cher Client,

Nous vous remercions d'avoir choisi Bowers & Wilkins. Veuillez lire soigneusement ce manuel avant de débiter et d'installer vos enceintes acoustiques. Il vous aidera à en obtenir les performances optimales. B&W est distribué dans plus de 60 pays dans le monde entier, par l'intermédiaire de distributeurs spécialement sélectionnés ; ceux-ci pourront vous aider à résoudre d'éventuels problèmes ignorés par votre revendeur.

Information sur la protection de l'environnement



Tous les produits B&W sont conçus en conformité totale avec les normes internationales concernant l'interdiction d'utilisation de certaines substances dangereuses (RoHs) dans les équipements électriques et électroniques, ainsi que la possibilité de recyclage des matériaux utilisés (WEEE, pour Waste Electrical and Electronic Equipment). Ces symboles indiquent la compatibilité avec ces directives, et le fait que les appareils peuvent être correctement recyclés ou traités dans le respect total de ces normes. Consultez l'organisme officiel de votre région pour le traitement des produits.

Vérification du contenu de l'emballage

Vérifiez que le carton contienne bien :

- 1 prise Speakon
- 2 x supports
- 4 x vis M6
- 2 x tampons mousse
- 2 x intercalaires de baffle
- 1 x intercalaire de panneau
- 1 x clé Allen 5 mm

Installation des enceintes

L'enceinte CT8.2 est conçue pour être utilisée dans les applications Home Cinema, en enceinte avant, latérale ou centrale. En enceinte centrale, elle peut être utilisée en utilisation verticale (portrait), ou configurée pour son utilisation horizontale (paysage), en orientant la position de son module médium/aigu et celle de son module supérieur de grave. Cette configuration en utilisation horizontale est expliquée plus loin dans ce manuel.

L'enceinte CT8.2 est conçue pour être posée sur le sol ou intégrée dans un mobilier existant. Des pieds spéciaux sont fournis pour assurer son positionnement correct au sol. Ces supports sont conçus pour éviter tout basculement vers l'avant si l'enceinte est posée sur le sol ou sur une étagère, ou tout autre support plan. Ces supports se fixent à l'arrière des CT8.2 via les trous filetés pour vis M6 présents. Les supports doivent être fixés de telle manière que leur surface plane repose sur le sol. Le trou oblong peut ensuite être utilisé pour fixer le pied sur son support. Utilisez une vis appropriée pour ce faire, avec éventuellement une cheville spéciale. La Figure 1 illustre l'utilisation de ce pied de sol.

Quel que soit le mode d'installation choisi, toujours manipuler l'enceinte avec le plus grand soin pendant la procédure d'installation. Ses dimensions et son poids nécessitent la participation de deux personnes pour une manipulation sans problème. B&W ne pourra accepter aucune prise en charge au titre de la garantie, pour tout dommage survenant d'un problème de fixation à cause des murs, des sols, des meubles et/ou des fixations utilisés.

Choix de la position

Les enceintes CT8.2 utilisées comme enceintes avant d'un système Home Cinema doivent être posées sur le sol ou intégrées dans un meuble, de part et d'autre de l'écran. Elles doivent être installées à environ 0,5 mètre (20 in) des côtés de l'écran, afin de conserver une taille de l'image sonore correspondante à celle de l'image proprement dite. Voir Figure 2.

Une enceinte CT8.2 utilisée comme enceinte centrale avant d'un système Home Cinema doit être positionnée horizontalement au centre de l'écran, juste au-dessus ou au-dessous de celui-ci. Avec un écran transparent acoustiquement, elle pourra être installée exactement derrière l'écran, au centre de celui-ci. Dans ce cas, une utilisation en position verticale peut parfaitement convenir. Voir Figure 2.

Configuration de la CT8.2 en enceinte centrale positionnée horizontalement (paysage)

La CT8.2 peut être reconfigurée pour fonctionner en position horizontale, en faisant pivoter ses modules de grave supérieur et de médium/aigu. Le module médium/aigu doit alors être pivoté de 90 degrés. La procédure à suivre est décrite ci-dessous, et illustrée par les figures d'accompagnement ci-dessous.

Vous aurez besoin d'un tournevis hexagonal M5 et M4, et des intercalaires fournis pour poser l'enceinte sur sa face arrière et travailler dessus. La présence d'une seconde personne, pour vous assister, est recommandée. Les haut-parleurs des enceintes, notamment, sont relativement fragiles, et ils peuvent être endommagés lors de manœuvres malencontreuses. Il est également recommandé de protéger le tweeter pendant toute la durée de l'opération.

Étape 1 (Figure 3a)

L'enceinte étant posée verticalement, dévissez et retirez les quatre écrous M5 retenant le module médium/aigu sur l'enceinte. Retenez l'ensemble du module avec une main pendant que vous retirez le dernier écrou, afin d'éviter toute chute du module. Conservez soigneusement de côté les vis, leurs rondelles et le support.

Étape 2 (Figure 3a)

Le module a dû vous tomber dans la main une fois les écrous retirés. Si c'est le cas, éloignez-le doucement de l'enceinte. Si ce n'est pas le cas, vous devez pencher doucement l'enceinte vers l'avant pour libérer le module et le dégager légèrement par

rapport à l'enceinte. Toujours le retenir avec une main pendant que vous manipulez l'enceinte de l'autre main.

Étape 3 (Figure 3b)

Une fois le module médium/aigu dégagé de l'enceinte, vous pouvez voir les câbles qui les relient entre eux. Le connecteur placé juste à côté des câbles doit être débranché. Avec une seconde personne pour vous aider en tenant le module, tirez de chaque côté du connecteur pour le débrancher.

Étape 4 (Figure 3b)

Une fois le module médium/aigu débranché par son connecteur, il peut être complètement désolidarisé de l'enceinte et posé à côté. Le matériau amortissant présent derrière le module doit être retiré et conservé à côté. Le joint de contact derrière le module doit être retiré.

Étape 5 (Figure 3c)

L'enceinte doit maintenant être doucement posée sur sa face arrière, afin de retirer le module supérieur du grave. Dévissez les quatre écrous M5 retenant le module de grave sur l'enceinte, et conservez soigneusement ces écrous et leurs rondelles.

Étape 6 (Figure 3c)

Poussez le module de grave par l'arrière pour le libérer. Afin d'accéder à l'arrière de ce module, le panneau amovible de l'enceinte, positionné derrière le module médium/aigu, doit être retiré. Dévissez et retirez les huit écrous M4 qui maintiennent ce panneau et laissez-le tomber dans le trou ainsi créé. Retirez l'intercalaire. Conservez soigneusement les écrous. Passez alors la main dans le trou ainsi formé, pour atteindre l'arrière du module de grave, puis poussez doucement vers l'avant.

Étape 7 (Figure 3d)

Une fois que le module de grave a commencé à se désolidariser, par l'avant, de l'enceinte, il peut être complètement dégagé. Après avoir soigneusement repéré la couleur des câbles et leur orientation, débranchez-les du haut-parleur en tirant. Retirez alors le module de grave, et posez-le à côté. Retirez aussi le matériau amortissant derrière le module, et conservez-le également à côté de vous. Le joint présent derrière le module de grave doit enfin être retiré.

Étape 8 (Figure 3e)

Les câbles prévus respectivement pour le module médium/aigu et pour le module de grave doivent maintenant être interchangeables pour passer dans leur nouvelle position. Passez le câble du médium/aigu, y compris avec le panneau interne qu'il traverse, dans la zone laissée libre par le module de grave. Puis passez les câbles du module de grave dans la zone laissée libre par le module médium/aigu.

Étape 9 (Figure 3f)

Positionnez et fixez à nouveau le panneau interne dans la nouvelle zone réservée au module médium/aigu, en utilisant le nouvel intercalaire (fourni) et les huit écrous M4. Serrez fermement les écrous (couple 1,7 Nm). Assurez-vous qu'aucune portion du matériau amortissant ne se retrouve pincée par le panneau avant de le revisser.

Étape 10 (Figure 3g)

Remplacez le matériau amortissant derrière la cavité du module médium/aigu, placez un nouvel intercalaire sur la surface du baffle. Prenez le module médium/aigu, rebranchez son connecteur électrique et positionnez le module dans une position différente de 90° de sa position précédente, de telle manière que le tweeter se trouve maintenant près d'un angle. Remplacez la plaque puis les quatre écrous M5 avec leurs rondelles. Vissez fermement les écrous, avec un couple de 1,7 Nm.

Note : le côté vers lequel le tweeter est maintenant orienté (suivant que vous avez tourné de 90° le module médium/aigu dans le sens, ou le sens inverse des aiguilles d'une montre, n'est pas important).

Étape 11 (Figure 3h)

Remplacez le matériau amortissant derrière le module de grave et placez aussi un nouvel intercalaire (fourni) sur la surface du baffle. Prenez le module de grave, reconnectez les cosses du haut-parleur et positionnez le module dans l'enceinte. Remplacez les vis M5 avec leurs rondelles, et serrez-les fermement avec un couple de 1,7 Nm. La nouvelle CT8.2 « reconfigurée » est maintenant prête à être utilisée, mais en position horizontale (paysage), comme enceinte centrale.

Note : Il est possible d'inverser la polarité du haut-parleur de grave lorsqu'on rebranche ses cosses. Pour vérifier la polarité correcte du haut-parleur, branchez brièvement une pile de 1,5 V sur les prises d'entrée du grave, avec la prise positive (+) de la pile sur l'entrée positive de l'enceinte. Les deux membranes doivent se déplacer simultanément vers l'avant.

Champs magnétiques

Les haut-parleurs à l'intérieur de l'enceinte génèrent des champs magnétiques qui peuvent s'étendre au-delà du coffret de l'enceinte. Nous vous recommandons donc de tenir éloignés d'au moins 50-centimètres des enceintes les appareils sensibles à ces champs magnétiques (télévisions et moniteurs informatiques à tube cathodique CRT, cassettes et bandes magnétiques audio et vidéo, cartes magnétiques, etc.). Les écrans de type plasma et LCD ne sont pas affectés par ces champs magnétiques.

Branchements

Tous les branchements doivent être effectués les appareils étant tous éteints.

Les enceintes CT8.2 possèdent deux paires de bornes de branchement et une prise Neutrik® Speakon sur leur face arrière. Les bornes à vis constituent le moyen le plus simple et le plus rapide d'effectuer le branchement via une liaison par câble à conducteurs simplement dénudés, tandis que la prise Speakon constitue une méthode plus sûre et plus fiable dans le temps. Les deux modes de connexion, bornes vissantes ou prise Speakon, permettent de bi-câbler les enceintes.

Pour brancher les enceintes en mode monocâblage avec la prise Speakon, insérez une courte longueur de câble dénudé dans le corps principale de chaque prise, serrez fermement cette tête de prise puis démontez la prise Speakon comme illustré

Figure 4a. Reliez le câble positif sur la broche repérée +1 et le câble négatif sur la broche repérée -1. L'intervention des deux câbles peut entraîner une mauvaise image stéréo et une perte de grave. Une fois la prise réassemblée, elle peut être insérée dans son équivalent complémentaire, puis verrouillée en la tournant dans le sens des aiguilles d'une montre.

Pour brancher les enceintes en mode mono-câblage en via les bornes vissantes, insérez une courte longueur de fil dénudé dans le corps de chaque prise, puis vissez fermement celle-ci. Branchez le conducteur positif dans la prise rouge, et le conducteur négatif dans la prise noire, comme illustré sur la Figure 4b. Un mauvais branchement peut entraîner une image stéréo confuse et une perte de niveau dans le grave.

Pour brancher les enceintes en mode bi-câblage, via les bornes vissantes ou la prise Speakon.

Si l'option prise Speakon est choisie, démontez la prise Speakon fournie comme illustré sur la Figure 5a, et branchez une paire de conducteurs positif et négatif sur les broches respectivement repérées +1 et -1, et la seconde paire de conducteurs positif et négatif sur les broches respectivement repérées +2 et -2. Assurez-vous que les conducteurs positifs sont bien reliés aux bornes repérées « + », et les conducteurs négatifs aux bornes repérées « - ». Un mauvais branchement peut entraîner une image stéréo confuse et une perte de niveau dans le grave. Une fois la prise réassemblée, elle peut être directement branchée dans la prise correspondante de l'enceinte, puis verrouillée en tournant dans le sens des aiguilles d'une montre.

Si les bornes vissantes sont utilisées, branchez la première paire de conducteurs positif et négatif dans les bornes repérées « LF », et la seconde paire dans les bornes repérées « HF ». Assurez-vous que les conducteurs positifs sont bien branchés dans les bornes de couleur rouge, et les conducteurs négatifs dans les bornes de couleur noire, comme illustré sur la figure 5b. Un mauvais branchement peut entraîner une image stéréo confuse et une perte de niveau dans le grave.

Consultez votre revendeur agréé quant au choix des meilleurs câbles. L'impédance totale de ceux-ci doit rester inférieure au maximum recommandé dans les spécifications de l'enceinte, le choix d'un câble à faible inductance garantissant parallèlement l'absence d'atténuation des fréquences aiguës.

Neutrik® et les noms des produits Neutrik® sont des marques déposées et/ou réservées à Neutrik®.

Réglage fin

Avant de procéder à ces réglages, vérifiez que tous les branchements sont correctement effectués, dans toute l'installation, et fermement sécurisés.

Si le son paraît trop brillant, ajoutez des meubles ou éléments amortissants dans la pièce (par exemple, des tapis plus nombreux ou épais). Inversement, réduisez l'influence de tels éléments si le son semble trop sourd ou éteint.

Certaines salles souffrent d'un phénomène de « rebond » des sons, sorte d'écho dû au renvoi du son entre des murs parallèles. Ces échos (« flutter », en anglais) peuvent colorer le son de manière importante. Une réverbération trop importante peut être détectée en se tenant au centre de la pièce et en tapant dans ses mains. Un tel défaut peut être éliminé en multipliant les surfaces de formes irrégulières dans la pièce, avec, par exemple, une ou plusieurs bibliothèques ou des meubles de taille plus importante, ainsi que des tableaux ou tapisseries fixés sur les murs.

Période de rodage

Les performances d'une enceinte acoustique se modifient subtilement pendant une période de rodage initiale. Si l'enceinte a été stockée dans un environnement de faible température, ses composants amortissants et les suspensions des haut-parleurs vont demander un peu de temps avant de retrouver leurs qualités mécaniques optimales. De plus, ces suspensions vont également se « libérer » pendant les premières heures d'utilisation. Ce temps de rodage est variable, suivant la température de stockage et la manière dont vous utilisez les enceintes. En moyenne, comptez un week-end pour que les effets de la température se stabilisent, et une quinzaine d'heures d'utilisation normale pour que tous les composants mécaniques atteignent le fonctionnement parfait correspondant à leur conception mécanique.

Cependant, des périodes plus longues (jusqu'à un mois) ont été relevées, mais il semble que cela soit dû un peu à cause du rodage des enceintes, et beaucoup parce que l'auditeur doit se familiariser avec le nouveau son ! C'est particulièrement le cas ici, avec des enceintes extrêmement définies, capables de reproduire un niveau de détail exceptionnellement élevé, plus que ce à quoi s'attendait l'auditeur ; simplement, au début, ce son peut sembler un tout petit peu « projeté » en avant et brillant. À la fin de la période de rodage, le son semblera plus neutre, sans rien perdre pour autant de ses qualités en terme de transparence et de sens du détail.

Entretien

Le corps même de l'enceinte ne nécessite qu'un dépoussiérage régulier. Si vous souhaitez utiliser un nettoyeur particulier, par aérosol notamment, retirez la grille frontale en tirant doucement dessus. Pulvériser le produit nettoyant sur un chiffon, jamais directement sur l'enceinte. Faites d'abord un essai sur une petite surface peu visible, car certains produits nettoyants peuvent endommager les surfaces. Évitez systématiquement les produits abrasifs, ou contenant de l'acide, de l'alcali ou des agents anti-bactériens. N'utilisez absolument aucun produit nettoyant sur les haut-parleurs. La grille frontale peut être nettoyée simplement avec une brosse à habit, après l'avoir détachée de l'enceinte. Évitez de toucher les haut-parleurs, et tout spécialement le tweeter, sous peine de dommage irréversible.

Garantie limitée

Ce produit a été conçu et fabriqué en vertu des normes de qualité les plus rigoureuses. Toutefois, en cas de problème, B&W Group Ltd. et ses distributeurs nationaux garantissent une main d'œuvre (exclusions possibles) et des pièces de rechange gratuites dans tout pays desservi par un distributeur agréé de B&W.

Cette garantie limitée est valide pour une période de cinq ans à compter de la date d'achat ou une période de deux ans pour les composants électroniques, y compris les haut-parleurs amplifiés.

Conditions

- 1 La garantie est limitée à la réparation de l'équipement. Les frais de transport ou autres, les risques associés à l'enlèvement, au transport et à l'installation des produits ne sont pas couverts par cette garantie.
- 2 La garantie est exclusivement réservée au propriétaire d'origine et ne peut pas être transférée.
- 3 Cette garantie ne s'applique qu'aux produits faisant l'objet de vices de matériaux et/ou de construction au moment de l'achat et ne sera pas applicable dans les cas suivants :
 - a. détériorations entraînées par une installation, connexion ou un emballage incorrect,
 - b. détériorations entraînées par un usage autre que l'usage correct décrit dans le manuel de l'utilisateur, la négligence, des modifications ou l'usage de pièces qui ne sont pas fabriquées ou agréées par B&W,
 - c. détériorations entraînées par un équipement auxiliaire défectueux ou qui ne convient pas,
 - d. détériorations résultant de : accidents, foudre, eau, chaleur, guerre, troubles de l'ordre public ou autre cause ne relevant pas du contrôle raisonnable de B&W ou de ses distributeurs agréés,
 - e. les produits dont le numéro de série a été modifié, effacé, éliminé ou rendu illisible,
 - f. les produits qui ont été réparés ou modifiés par une personne non autorisée.
- 4 Cette garantie vient en complément à toute obligation juridique nationale / régionale des revendeurs ou distributeurs nationaux et n'affecte pas vos droits statutaires en tant que client.

Comment faire une réclamation en vertu de la garantie

Veillez respecter la procédure ci-dessous, si vous souhaitez faire une réclamation sous garantie :

- 1 Si l'équipement est utilisé dans le pays d'achat, veuillez contacter le distributeur agréé de B&W qui a vendu l'équipement.
- 2 Si l'équipement est utilisé dans un pays autre que le pays d'achat, veuillez contacter le distributeur national B&W du pays de résidence, qui vous indiquera où vous pouvez faire réparer l'équipement. Vous pouvez appeler B&W au Royaume-Uni ou consulter notre site Web pour obtenir les coordonnées de votre distributeur local.

Afin de valider votre garantie, vous devrez présenter ce livret de garantie qui aura été rempli et tamponné par votre revendeur le jour de l'achat. En l'absence de ce livret, vous devrez présenter l'original de la facture commerciale ou une autre preuve d'achat et de la date d'achat.

Deutsch

Bedienungsanleitung

Vielen Dank, dass Sie sich für die Marke B&W entschieden haben. Bitte lesen Sie sich diese Bedienungsanleitung vor dem Auspacken und der Installation des Produktes genau durch. Dies wird Ihnen bei der optimalen Nutzung des Systems helfen. B&W liefert in über 60 Länder und verfügt über ein weites Netz erfahrener Distributoren, die Ihnen weiterhelfen, auch wenn der Händler Ihr Problem nicht lösen kann.

Umweltinformation



B&W-Produkte entsprechen den internationalen Richtlinien über die Beschränkung der Verwendung bestimmter gefährlicher Stoffe in Elektro- und Elektronikgeräten (Restriction of Hazardous Substances (kurz RoHS genannt)) und über Elektro- und Elektronik-Altgeräte (Waste Electrical and Electronic Equipment (WEEE)). Die durchgestrichene Mülltonne steht für deren Einhaltung und besagt, dass die Produkte ordnungsgemäß recycelt oder diesen Richtlinien entsprechend entsorgt werden müssen. Erkundigen Sie sich diesbezüglich bei der örtlichen Abfallentsorgung.

Kartoninhalt

Im Versandkarton liegen:

- 1 x Speakon-Stecker
- 2 x HalterungsfüÙe
- 4 x M6-Schrauben
- 2 x Schaumstoffeinsätze
- 2 x Chassisdichtungen
- 1 x Paneldichtung
- 1 x 5-mm-Innensechskantschlüssel

Aufstellen der Lautsprecher

Der CT8.2 kann in Kinoanwendungen als Front- und Centerlautsprecher eingesetzt werden. Er ist für den Einsatz als vertikaler Centerlautsprecher konfiguriert. Soll er horizontal ausgerichtet werden, müssen die Positionen des Mittel-/Hochton-Treibermoduls und des oberen Basstreibermoduls gewechselt werden. Wie man den CT8.2 dazu neu konfiguriert, wird in einem späteren Abschnitt in dieser Bedienungsanleitung behandelt.

Der CT8.2 wird entweder auf dem Fußboden montiert oder in spezielle Schränke integriert. Zur Sicherung des Lautsprechers gehören HalterungsfüÙe zum Lieferumfang. Diese verhindern, dass der Lautsprecher nach vorne kippt, wenn er auf den Boden, in ein Regal oder auf eine andere ebene Oberfläche gestellt wird. Die HalterungsfüÙe werden über die M6-Löcher an der Rückseite des CT8.2 befestigt. Verwenden Sie die beiliegenden M6-Schrauben, um die HalterungsfüÙe sicher mit der Rückseite des CT8.2 zu verbinden. Befestigen Sie die Halterungen so, dass die flache Seite auf dem Boden aufliegt. Das einzelne Langloch kann dann genutzt werden, um die Halterung mit der Bodenoberfläche zu verbinden. Nutzen Sie eine entsprechende Schraube. Siehe Figure (Abb.) 1.

Wie auch immer Sie den Lautsprecher installieren, seien Sie vorsichtig, wenn Sie ihn in seine Position bringen. Er ist extrem unhandlich und schwer und sollte daher am besten von zwei Personen positioniert werden. B&W haftet nicht für Schäden an Wänden, Böden, Möbeln und/oder Befestigungen.

Positionierung der Lautsprecher

Werden die CT8.2-Lautsprecher für die Frontkanäle eines Kinosystems genutzt, so platzieren Sie sie in der horizontalen Mittellinie links und rechts vom Bildschirm. Der Abstand der Lautsprecher zu den Seiten des Bildschirms sollte ungefähr 0,5 m betragen, um das Klangbild optimal an das visuelle Bild anzupassen (siehe Figure (Abb.) 2).

Wird ein CT8.2-Lautsprecher als Centerlautsprecher in einer Kinoanwendung eingesetzt, sollten Sie ihn mittig entweder direkt über oder unter dem Bildschirm platzieren. Siehe Figure (Abb.) 2. Bei einer akustisch transparenten Leinwand ist der Centerlautsprecher mittig hinter der Leinwand zu positionieren. In diesem Fall ist wahrscheinlich die vertikale Standardausrichtung des CT8.2 zu bevorzugen.

Der CT8.2 als Centerlautsprecher, horizontal ausgerichtet

Der CT8.2 kann horizontal ausgerichtet werden, indem man die Positionen des oberen Bassmoduls und des Mittel-/Hochton-Treibermoduls wechselt. Darüber hinaus muss das Mittel-/Hochton-Treibermodul um 90 Grad gedreht werden. Die dazu nötigen Schritte werden im Folgenden beschrieben und in den dazugehörigen Abbildungen illustriert.

Sie benötigen einen M5- und einen M4-Sechskantschraubendreher und Platz, um den Lautsprecher auf seine Rückseite legen und an ihm arbeiten zu können. Wir empfehlen ferner, dass eine zweite Person hilft. Seien Sie während des gesamten Vorgangs sehr vorsichtig. Die Lautsprecherchassis sind sehr empfindliche, präzise Komponenten, die bei unsachgemäÙer Handhabung beschädigt werden können. Daher sollte die Schutzabdeckung des Hochtöners während des gesamten Vorgangs genutzt werden.

Schritt 1 (Figure (Abb.) 3a)

Lösen und entfernen Sie bei aufrecht stehendem Lautsprecher die vier M5-Schrauben, die das Mittel-/Hochton-Treibermodul im Gehäuse halten. Halten Sie das Modul mit einer Hand fest, damit es nicht herunterfällt, wenn die letzte Schraube entfernt wird. Legen Sie die Schrauben, Unterlegscheiben und die Abdeckung an die Seite.

Schritt 2 (Figure (Abb.) 3a)

Das Modul sollte sich nach vorne lösen, wenn Sie Ihre Hand herausziehen. Tut es dies nicht, kippen Sie das Gehäuse etwas nach vorne, um das Modul vorsichtig zu lösen. Halten Sie das Modul mit einer Hand fest, während Sie das Gehäuse kippen.

Schritt 3 (Figure (Abb.) 3b)

Haben Sie das Mittel-/Hochtonmodul aus dem Gehäuse genommen, werden die Anschlusskabel sichtbar. Der zwischen den Kabeln sitzende In Line-Anschluss muss getrennt werden. Während ein Helfer das Treibermodul festhält, nehmen Sie jeweils einen Teil des Anschlusses in eine Hand und ziehen ihn auseinander.

Schritt 4 (Figure (Abb.) 3b)

Haben Sie den Anschluss auseinander gezogen, kann das Mittel-/Hochtonmodul vollständig aus dem Gehäuse entfernt und an die Seite gelegt werden. Das Dämmmaterial hinter dem Modul sollte ebenfalls herausgenommen und an die Seite gelegt werden. Die Dichtung des Mittel-/Hochtonmoduls sollte entfernt und weggeworfen werden.

Schritt 5 (Figure (Abb.) 3c)

Legen Sie den Lautsprecher nun vorsichtig auf seine Rückseite, um das obere Basstreibermodul herausnehmen zu können. Lösen und entfernen Sie die vier M5-Schrauben, die dieses Modul im Gehäuse halten. Legen Sie die Schrauben und Unterlegscheiben an die Seite.

Schritt 6 (Figure (Abb.) 3c)

Drücken Sie von hinten gegen das Basstreibermodul, um es zu lösen. Um auf die Rückseite des Moduls zugreifen zu können, muss das Panel hinter dem Mittel-/Hochton-Treibermodul herausgenommen werden. Lösen und entfernen Sie die acht M4-Schrauben, die das Panel halten und lassen Sie es durch das Loch fallen. Entfernen und entsorgen Sie die Dichtung. Legen Sie die Schrauben an die Seite. Greifen Sie mit Ihrer Hand durch das Loch, bis Sie die Rückseite des Basstreibermoduls spüren. Drücken Sie es nun vorsichtig nach oben.

Schritt 7 (Figure (Abb.) 3d)

Haben Sie das Basstreibermodul aus dem Gehäuseinnern etwas nach oben gedrückt, kann es herausgehoben werden. Achten Sie auf die Ausrichtung der farbigen Kabel und lösen Sie den Treiber, indem Sie die Kabel von den Anschlüssen ziehen. Legen Sie das Modul an die Seite. Die Dichtung des Bassmoduls sollte entfernt und weggeworfen werden.

Schritt 8 (Figure (Abb.) 3e)

Die Kabel für das Bass- und das Mittel-/Hochton-Treibermodul können nun in ihre neuen Positionen gebracht werden. Führen Sie die Kabel für die Mittel-/Hochtonfrequenzen (einschließlich des befestigten internen Panels) durch das Gehäuse zu dem Bereich, in dem vorher das Bassmodul gesessen hat. Führen Sie die Kabel des Basstreibers zu dem Gehäusebereich, in dem sich zuvor das Mittel-/Hochton-Modul befand.

Schritt 9 (Figure (Abb.) 3f)

Setzen Sie das interne Panel in die neue Mittel-/Hochtonsektion des Gehäuses und befestigen Sie es dort. Nutzen Sie dazu eine neue Dichtung und die acht M4-Schrauben. Ziehen Sie die Schrauben mit einem Drehmoment von 1,70 Nm fest. Achten Sie darauf, dass beim Festschrauben des Panels kein Dämmmaterial eingeklemmt wird.

Schritt 10 (Figure (Abb.) 3g)

Legen Sie das Dämmmaterial in die Öffnung des Mittel-/Hochtonmoduls und setzen Sie eine neue Chassisdichtung ein. Stecken Sie den In Line-Anschluss wieder zusammen und platzieren Sie das Modul um 90 Grad gedreht auf dem Gehäuse. Positionieren Sie die Abdeckung und bringen Sie die vier M5-Schrauben und die Unterlegscheiben an. Ziehen Sie die Schrauben mit einem Drehmoment von 1,70 Nm fest.

Hinweis: Im Allgemeinen ist es nicht entscheidend, ob das Mittel-/Hochtonmodul um 90 Grad im oder gegen den Uhrzeigersinn gedreht wird.

Schritt 11 (Figure (Abb.) 3h)

Legen Sie das Dämmmaterial in die Öffnung des Bassmoduls, setzen Sie eine neue Chassisdichtung ein, schließen Sie die Kabel wieder an und setzen Sie das Modul ein. Bringen Sie die vier M5-Schrauben und die Unterlegscheiben an und ziehen Sie die Schrauben mit einem Drehmoment von 1,70 Nm fest. Der neu konfigurierte CT8.2 ist nun für seinen Einsatz als horizontal ausgerichteter Centerlautsprecher gerüstet.

Hinweis: Es ist möglich, dass der Basstreiber mit der falschen Polarität angeschlossen wird. Um dies zu prüfen, schließen Sie kurzfristig eine 1,5-V-Batterie an die Eingangsanschlüsse des Basses an, wobei der positive Anschluss der Batterie mit dem positiven Eingangsanschluss verbunden wird. Beide Membranen sollten sich jetzt nach außen bewegen.

Magnetische Streufelder

Die Lautsprecherchassis erzeugen ein magnetisches Streufeld, das über die Gehäusegrenzen hinaus reicht. Daher empfehlen wir, einen Mindestabstand von 0,5 m zwischen magnetisch empfindlichen Artikeln (CRT-Fernsehgeräten, Computerbildschirmen, Discs, Audio- und Videobändern, Scheckkarten usw.) und Lautsprecher zu bewahren. LCD- und Plasmabildschirme werden von magnetischen Streufeldern nicht beeinflusst.

Anschließen der Lautsprecher

Schalten Sie vor dem Anschließen alle Geräte ab.

Die CT8.2-Lautsprecher besitzen an der Rückseite zwei Paar Schraubklemmen und einen Neutrik®-Speakon-Anschluss. Über die Schraubklemmen kann die Verbindung schnell und einfach über abisolierte Kabel hergestellt werden, während der Speakon-Anschluss eine sicherere und zuverlässigere Anschlussart darstellt. Sowohl über die Schraubklemmen als auch über den Speakon-Anschluss ist ein Bi-Wiring der Lautsprecher möglich.

Um die Lautsprecher auf konventionelle Weise mit einem Kabel über die Speakon-Option anzuschließen, müssen Sie zunächst die roten und die schwarzen Schraubklemmen jeweils über eine „Brücke“ miteinander verbinden. Nehmen Sie dazu ein kurzes, abisoliertes Kabel. Führen Sie das Kabel nun durch das Loch jeder

der beiden Schraubklemmen und drehen Sie diese fest (siehe Figure (Abb.) 4a links). Jetzt nehmen Sie den Speakon-Stecker auseinander und verbinden, wie in Figure (Abb.) 4a rechts dargestellt, das positive Kabel mit +1 und das negative Kabel mit -1. Erfolgt der Anschluss nicht korrekt, so kann dies zu einem schlechten Klangbild und Bassverlusten führen. Ist der Stecker wieder zusammengebaut, so kann er in die Buchse gesteckt und durch Drehen im Uhrzeigersinn befestigt werden.

Um die Lautsprecher auf konventionelle Weise mit einem Kabel über die Schraubklemmen anzuschließen, müssen Sie zunächst die roten und die schwarzen Schraubklemmen jeweils über eine „Brücke“ miteinander verbinden. Nehmen Sie dazu ein kurzes, abisoliertes Kabel. Führen Sie das Kabel nun durch das Loch jeder der beiden Schraubklemmen und drehen Sie diese fest (siehe Figure (Abb.) 4a links). Verbinden Sie nun das positive Kabel mit einer der roten Schraubklemmen und das negative Kabel mit der entsprechenden negativen Schraubklemme (siehe Figure (Abb.) 4b). Erfolgt der Anschluss nicht korrekt, so kann dies zu einem schlechten Klangbild und Bassverlusten führen.

Anschluss im Bi-Wiring-Verfahren über die Schraubklemmen oder die Speakon-Buchse

Nutzen Sie die Speakon-Option, so nehmen Sie den Speakon-Stecker wie in Figure (Abb.) 5a dargestellt auseinander und verbinden ein Paar der positiven und negativen Kabel mit +1 und -1 und das zweite Paar positiver und negativer Kabel mit +2 und -2. Stellen Sie sicher, dass die positiven Kabel mit + und die negativen Kabel mit – verbunden werden. Erfolgt der Anschluss nicht korrekt, so kann dies zu einem schlechten Klangbild und Bassverlusten führen. Ist der Stecker wieder zusammengebaut, so kann er in die Buchse gesteckt und durch Drehen im Uhrzeigersinn befestigt werden.

Werden die Schraubklemmen genutzt, so verbinden Sie ein Paar der positiven und negativen Kabel mit den mit LF gekennzeichneten Klemmen und das zweite Paar positiver und negativer Kabel mit den mit HF gekennzeichneten Klemmen. Stellen Sie sicher, dass die positiven Kabel mit den roten Schraubklemmen und die negativen Kabel mit den schwarzen Schraubklemmen verbunden werden (siehe Figure (Abb.) 5b). Erfolgt der Anschluss nicht korrekt, so kann dies zu einem schlechten Klangbild und Bassverlusten führen.

Lassen Sie sich bei der Auswahl der Lautsprecherkabel von Ihrem autorisierten Fachhändler beraten. Die Gesamtimpedanz sollte unterhalb der in den Technischen Daten angegebenen maximalen Kabelimpedanz liegen. Insbesondere sollte das zum Hochtöner führende Kabel eine geringe Induktivität besitzen, da sehr hohe Töne sonst gedämpft werden.

Neutrik® und die hier verwendeten Namen von Neutrik®-Produkten sind Waren- und/oder Servicezeichen von Neutrik®.

Feinabstimmung

Vergewissern Sie sich vor der Feinabstimmung Ihres Systems noch einmal, dass alle Verbindungen richtig hergestellt wurden und alle Kabel ordnungsgemäß angeschlossen sind.

Ist der Klang zu schrill, hilft die Verwendung weicher Einrichtungsgegenstände (wie z.B. schwerer Vorhänge). Umgekehrt sollte man bei dumpfem, leblosem Klang die Verwendung solcher Einrichtungsgegenstände auf ein Minimum reduzieren.

In einigen Räumen treten Flatterechos – also Echos, die zwischen parallelen Wänden mehrfach hin und her reflektiert werden – auf. Flatterechos können den Klang der Lautsprecher im Raum verfärben. Prüfen Sie den Raum auf Mehrfachechos, indem Sie sich in die Mitte des Raumes stellen und in die Hände klatschen. Flatterechos können durch unregelmäßige Gegenstände oder nicht-reflektierende Oberflächen, Regale, Bilder usw. an einer der parallelen Wände reduziert werden.

Einlaufphase

In der Einlaufphase gibt es feine Unterschiede in der Wiedergabequalität des Lautsprechers. Wurde er in einer kühlen Umgebung gelagert, so wird es einige Zeit dauern, bis die Dämpfungskomponenten und die für die Aufhängung der Chassis eingesetzten Werkstoffe ihre optimalen mechanischen Eigenschaften besitzen. Die Aufhängung der Chassis wird mit den ersten Betriebsstunden beweglicher. Die Zeit, die der Lautsprecher benötigt, um seine maximale Leistungsfähigkeit zu entwickeln, schwankt abhängig von den vorherigen Lager- und Einsatzbedingungen. Grundsätzlich kann man sagen, dass es eine Woche dauert, bis sich die Lautsprecher nach Temperatureinwirkungen stabilisiert haben. 15 Betriebsstunden sind erforderlich, bis die mechanischen Teile ihre Funktion, wie bei der Konstruktion festgelegt, erfüllen können.

Jedoch ist uns schon von längeren Einlaufphasen (bis zu einem Monat) berichtet worden. Man kann aber davon ausgehen, dass dieser Eindruck eher mit dem Hörer zu tun hat, der aufgrund der hochwertigen Klangqualität dieser Lautsprecher jetzt Details wahrnimmt, die vorher nicht zu hören waren. Der Klang mag ihm zunächst vielleicht etwas hart erscheinen. Aber nach geraumer Zeit wird er weicher, ohne dabei an Klarheit und Detailtreue zu verlieren.

Pflege

Die Gehäuseoberfläche muss in der Regel nur abgestaubt werden. Bei Verwendung eines Aerosol- oder sonstigen Reinigers entfernen Sie zunächst vorsichtig die Abdeckung vom Gehäuse. Sprühen Sie den Reiniger auf ein Tuch, niemals direkt auf das Gehäuse. Testen Sie es zunächst an einer kleinen, unauffälligen Stelle, da einige Reinigungsprodukte die Oberfläche beschädigen können. Verwenden Sie keine aggressiven Produkte und auch nicht solche, die säure- oder alkalihaltig oder antibakteriell sind. Verwenden Sie für die Chassis keine Reinigungsmittel. Der Stoff kann nach dem Entfernen der Abdeckung mit einer normalen Kleiderbürste gereinigt werden. Vermeiden Sie es, die Lautsprecherchassis zu berühren, da dies, vor allem beim Hochtöner, zu Beschädigungen führen kann.

Garantie

Dieses Produkt wurde nach den höchsten Qualitätsstandards entwickelt und hergestellt. Sollte dennoch der unwahrscheinliche Fall eintreten, dass Sie als Kunde Grund zur Reklamation haben, werden die B&W Group Ltd. und ihre nationalen Vertriebsorganisationen das fehlerhafte Produkt ohne Berechnung der Arbeits- und Materialkosten (abgesehen von einigen Ausnahmen) in jedem Land, in dem eine offizielle B&W-Vertriebsorganisation vertreten ist, reparieren.

Die Garantiezeit beträgt fünf Jahre ab Kaufdatum bzw. zwei Jahre auf Aktivlautsprecher und elektronische Bauteile. Beachten Sie auch die Garantiebedingungen der B&W Group Germany GmbH.

Garantiebedingungen

1. Die Garantie ist auf die Reparatur der Geräte beschränkt. Weder der Transport noch sonstige Kosten, noch das Risiko des Ausbaus, des Transports und der Installation der Produkte wird von dieser Garantie abgedeckt.
2. Diese Garantie gilt nur für Fabrikations- und/oder Materialfehler, die bereits zum Zeitpunkt des Kaufs vorlagen und nicht:
 - a. bei Schäden durch unfachmännische Installation, falsches Anschließen oder unsachgemäßes Verpacken,
 - b. bei Schäden, die auf einen nicht in der Bedienungsanleitung genannten Einsatzzweck, auf Fahrlässigkeit, Modifikationen oder die Verwendung von Teilen zurückzuführen sind, die nicht von B&W hergestellt bzw. zugelassen wurden,
 - c. bei Schäden durch defekte oder ungeeignete Zusatzgeräte,
 - d. bei Schäden durch Unfälle, Blitzschlag, Wasser, Feuer, Hitze, Krieg, öffentliche Unruhen oder sonstige Ereignisse, die nicht der Kontrolle von B&W und seinen Vertriebsorganisationen unterliegen,
 - e. für Produkte, deren Seriennummern geändert, gelöscht, entfernt oder unleserlich gemacht wurden,
 - f. wenn Reparaturen oder Modifikationen von einem Nichtfachmann durchgeführt wurden.
3. Diese Garantie ergänzt die nationalen/regionalen gesetzlichen Verpflichtungen der Händler bzw. der nationalen Vertriebsorganisationen und schränkt in keiner Weise die gesetzlichen Rechte, die Sie als Kunde haben, ein.

Inanspruchnahme von Garantieleistungen

Sollten Sie unseren Service in Anspruch nehmen müssen, gehen Sie bitte folgendermaßen vor:

1. Befindet sich das Gerät in dem Land, in dem Sie es gekauft haben, setzen Sie sich mit Ihrem autorisierten B&W-Fachhändler in Verbindung.
2. Befindet sich das Gerät außerhalb des Landes, in dem Sie es gekauft haben, wenden Sie sich bitte an die nationale B&W-Vertriebsorganisation des Landes, in dem Sie leben. Diese wird Ihnen Auskunft darüber geben, wo Sie das Gerät reparieren lassen können. Die Adresse der für das jeweilige Land zuständigen Vertriebsorganisation erhalten Sie bei B&W in Großbritannien oder über unsere Webseite.

Garantieleistungen werden nur nach Vorlage des Garantie-Booklets (vollständig ausgefüllt und mit dem Händlerstempel und dem Kaufdatum versehen) erbracht. Alternativ können Sie die Originalrechnung oder einen anderen, mit Kaufdatum versehenen Beleg einreichen, der Sie als Eigentümer des Gerätes ausweist.


Español

Manual de instrucciones

Estimado cliente:

Gracias por elegir Bowers & Wilkins. Le rogamos que lea la totalidad de este manual antes de desembalar e instalar el producto ya que ello le ayudará a optimizar las prestaciones de este último. B&W mantiene una red de importadores altamente motivados en más de 60 países que podrán ayudarle en el caso de que se produzca algún problema que no pueda ser resuelto por su distribuidor especializado.

Información Relativa a la Protección del Medio Ambiente

 Los productos B&W han sido diseñados para satisfacer la normativa internacional relativa a la Restricción del Uso de Sustancias Peligrosas (RoHS) en equipos eléctricos y electrónicos y la eliminación de Residuos Relacionados con Equipos Eléctricos y Electrónicos (WEEE). El símbolo con el cubo de la basura tachado indica el pleno cumplimiento de estas directrices y que los productos correspondientes deben ser reciclados o procesados adecuadamente en concordancia con las mismas.

La Caja del Embalaje Contiene

Verifique que en el embalaje figuren los siguientes elementos:

- 1 clavija Speakon
- 2 soportes de sujeción
- 4 tornillos M6
- 2 tapones de espuma
- 2 juntas de estanqueidad para el panel frontal
- 1 junta de estanqueidad para el panel interno
- 1 llave Allen de 5 mm

Instalación de las Cajas Acústicas

La caja acústica CT8.2 ha sido diseñada para su empleo en los canales principales y central de un sistema de Cine en Casa. Cuando se utilice para el canal central, la caja puede orientarse tanto en sentido vertical como horizontal intercambiando las posiciones del módulo de medios/agudos y del módulo de graves superior. La reconfiguración de una CT8.2 para su empleo como monitor central en posición horizontal se cubre más adelante en este mismo manual.

La CT8.2 está concebida para ser montada bien directamente sobre el suelo bien en el interior de un mueble hecho a medida. Los soportes de sujeción están diseñados para impedir que la caja acústica se incline (vuelque) hacia delante en caso de que descansa sobre el suelo, una estantería u otra estructura de sustentación plana. Dichos soportes se montan en la parte posterior de la CT8.2 mediante orificios de guía de tipo M6. Monte sólidamente los soportes de sujeción en el panel posterior de la CT8.2 con ayuda de los tornillos M6 suministrados de origen. Los soportes deberían ser montados de tal modo que su sección plana descansa sobre el suelo. Llegados a este punto, puede utilizarse el orificio ranurado para fijar el soporte a la superficie de sustentación. En caso de que sea necesario, utilice un tornillo y un tapón apropiados. La Figura 1 ilustra el uso de los soportes de sujeción.

Independientemente del estilo de instalación por el que se opte, hay que ser especialmente cuidadoso a la hora de colocar la caja acústica en su posición. Puesto que la misma es pesada y poco manejable, lo mejor es que el proceso sea realizado por dos personas. B&W no aceptará ninguna reclamación relacionada con fallos en paredes, suelos, muebles y/o fijaciones.

Colocación de las Cajas Acústicas

Cuando sean utilizadas para los canales principales de un sistema de Cine en Casa, las CT8.2 deberían colocarse sobre el suelo o en un mueble a medida a ambos lados de la pantalla de visualización. Deberían situarse a un máximo de 0'5 metros de cada lado para garantizar que la imagen sonora guarde la debida proporción con la imagen visual. Vea al respecto la Figura 2.

Cuando sea utilizada para el canal central de un sistema de Cine en Casa, la CT8.2 debería colocarse horizontalmente en una posición central directamente encima o debajo de la pantalla de visualización. En el caso de que se utilice una pantalla de proyección acústicamente transparente, la caja acústica central debería colocarse centrada justo detrás de dicha pantalla. Vea al respecto la Figura 2.

Configuración como Caja Acústica Central en Posición Horizontal

La CT8.2 puede reconfigurarse para que funcione como caja acústica central en posición horizontal intercambiando las posiciones de su módulo de medios/agudos y su módulo de graves superior. Además, el módulo que alberga los altavoces de medios/agudos puede girarse un máximo de 90 grados. El procedimiento a efectuar se describe a continuación y se ilustra en las figuras que se adjuntan.

Usted necesitará una llave hexagonal de calibre M5 y M4, así como espacio suficiente para colocar la caja sobre su panel posterior de modo que usted pueda trabajar con ella. Se recomienda la ayuda de una segunda persona. Tenga mucho cuidado al llevar a cabo el proceso. En particular, los altavoces son delicados componentes de alta precisión que pueden ser dañados si se manejan de manera inapropiada. Asimismo, se recomienda utilizar la cubierta de protección del tweeter durante la totalidad del proceso.

Paso 1 (Figura 3a)

Con la caja acústica colocada de pie, desenrosque y retire los cuatro tornillos M5 manteniendo el módulo de medios/agudos en el recinto. Mantenga fijo el módulo con una mano cuando quite el último tornillo para impedir que pueda caer. Coloque los tornillos, las arandelas y la placa de embellecimiento a un lado.

Paso 2 (Figura 3a)

Es posible que el módulo empiece a caer hacia delante cuando usted retire la otra mano. En caso de que así sea, puede separarlo cuidadosamente del recinto. En caso negativo, es posible que necesite inclinar ligeramente el recinto hacia delante

para liberar el módulo y pueda cogerlo. Cuando incline el recinto, mantenga una mano sobre el módulo.

Paso 3 (Figura 3b)

A medida que el módulo de medios/agudos sea separado del recinto, aparecerán los correspondientes cables de conexión. El conector situado en el centro de los cables debe ser desconectado. Mientras su ayudante sujeta el módulo, coja los dos extremos del conector y sepárelo. La junta de estanqueidad del módulo de medios/agudos debería ser retirada y desechada.

Paso 4 (Figura 3b)

Una vez desconectado el módulo de medios/agudos, el mismo puede separarse completamente del recinto y dejarse a un lado. El material absorbente situado en la parte posterior del módulo también debería retirarse y dejarse a un lado. Asimismo, la junta de estanqueidad del módulo de medios/agudos debería ser retirada y desechada.

Paso 5 (Figura 3c)

Ahora debería inclinar la caja suavemente hasta que descansa sobre su panel posterior para poder quitar el módulo de graves superior. Retire los cuatro tornillos M5 que fijan el módulo de graves superior al recinto. Coloque los tornillos y las arandelas a un lado.

Paso 6 (Figura 3c)

Empuje el módulo del altavoz de graves desde atrás para liberarlo. Para facilitar el acceso a la parte trasera del módulo, debería retirarse el panel móvil del recinto situado justo detrás del módulo de medios/agudos. Afloje y retire los ocho tornillos M4 que aseguran el panel y déjelo caer sobre el orificio. Retire y deseché la junta de estanqueidad. Coloque los tornillos a un lado. Ponga su mano en el orificio para llegar hasta la parte posterior del módulo del altavoz de graves y empujelo cuidadosamente hacia arriba.

Paso 7 (Figura 3d)

Una vez que el módulo del altavoz de graves haya sido empujado ligeramente hacia arriba desde el interior del recinto, podrá ser levantado. Después de anotar la orientación de los cables coloreados, desconecte el altavoz separando los mismos de las clavijas de conexión planas. Coloque el módulo del altavoz de graves a un lado. El material absorbente situado en la parte posterior del módulo también debería retirarse y dejarse a un lado. Por su parte, la junta de estanqueidad del módulo del altavoz de graves debería ser retirada y desechada.

Paso 8 (Figura 3e)

Ahora los cables correspondientes a los módulos de graves y medios/agudos pueden ser reasignados a sus nuevas ubicaciones. Coloque los cables del módulo de medios/agudos (incluyendo el panel interno adjunto) en la región del recinto correspondiente al módulo de graves. Coloque los cables del módulo de graves en la región del recinto correspondiente al módulo de medios/agudos.

Paso 9 (Figura 3f)

Coloque y asegure de nuevo el panel interno en la nueva región de medios/agudos del recinto con ayuda de una nueva junta de estanqueidad y los ocho tornillos M4. Fije herméticamente los tornillos hasta un par de 1'7 Nm. Procure que no quede atrapada ninguna pieza de material absorbente cuando el panel sea colocado de nuevo.

Paso 10 (Figura 3g)

Vuelva a colocar el material absorbente en la cavidad del módulo de medios/agudos y coloque una nueva junta de estanqueidad en la junta de unión entre el mismo y el recinto de la CT8.2. Coja el módulo de medios/agudos, vuelva a conectar el conector interno y coloque aquél en el recinto girado 90 grados de tal modo que el tweeter esté situado justo en un extremo. Coloque la placa embellecedora y vuelva a colocar los cuatro tornillos M5 y sus correspondientes arandelas. Fije herméticamente los tornillos hasta un par de 1'7 Nm.

Nota: Por regla general, el lado del recinto en que está situado el tweeter (es decir, si el módulo de medios/agudos está girado 90° en sentido horario o antihorario) no tiene mayor importancia.

Paso 11 (Figura 3h)

Vuelva a colocar el material absorbente en la cavidad del módulo de graves y coloque una nueva junta de estanqueidad en la unión entre el mismo y el recinto de la CT8.2. Coja el módulo de graves, vuelva a conectar el altavoz y coloque el módulo en el recinto. Vuelva a colocar los cuatro tornillos M5 y sus correspondientes arandelas y fíjelos herméticamente hasta un par de 1'7 Nm. La CT8.2 reconfigurada está ya lista para ser utilizada como una caja acústica central dispuesta horizontalmente.

Nota: Es potencialmente posible reconectar el altavoz de graves con la polaridad equivocada. Para verificar la polaridad de dicho altavoz inmediatamente después de haber sido conectado de nuevo, conecte durante unos instantes una pila de 1'5 a los terminales de conexión del mismo con el terminal positivo de la pila conectado al terminal de entrada positivo de la CT8.2. Los conos de los dos woofers deberían desplazarse hacia delante.

Campos Magnéticos Parásitos

Los altavoces de las cajas acústicas crean campos magnéticos parásitos que se extienden más allá de las fronteras físicas del recinto. Es por ello que le recomendamos que aleje todos aquellos objetos magnéticamente sensibles (pantallas de televisor y ordenador que incorporen tubos de rayos catódicos, discos de ordenador, cintas de audio y vídeo, tarjetas con banda magnética y cosas por el estilo) al menos 0'5 metros de la caja acústica. Las pantallas de LCD y plasma no son afectadas por los campos magnéticos.

Conexiones

Todas las conexiones deberían realizarse con el equipo desconectado. La CT8.2 incorpora dos parejas de terminales de conexión convencionales y uno de tipo Neutrik Speakon en su panel posterior. Los terminales estándar garantizan una conexión rápida y fácil de cables pelados mientras que los conectores Speakon proporcionan un método de conexión más seguro y fiable. Tanto los terminales convencionales como el Speakon permiten realizar una conexión en bicableado.

Para conectar las cajas acústicas en monocableado convencional utilizando la opción Speakon, inserte un trozo corto de cable pelado en el cuerpo de cada terminal de conexión y fije firmemente el cabezal de dicho terminal para seguidamente desmontar la clavija Speakon tal y como se muestra en la Figura 4a y conectar el cable positivo al terminal marcado como +1 y el cable negativo al terminal marcado como -1. Al igual que en la conexión estándar, una ejecución incorrecta de estas conexiones tendrá como resultado una pérdida de graves y una imagen sonora sensiblemente menos creíble. Una vez que la clavija haya sido montada de nuevo por completo, podrá insertarla en su correspondiente toma y fijarla girándola en sentido horario.

Si se van a conectar las cajas acústicas en monocableado con los terminales de conexión convencionales, inserte un pequeño trozo de cable pelado en el cuerpo de cada terminal y fije sólidamente el cabezal de este último. Conecte el cable positivo a uno de los terminales rojos y el cable negativo a uno de los terminales negros tal y como se ilustra en la Figura 4b. Una ejecución incorrecta de estas conexiones tendrá por resultado una pérdida de graves y una imagen sonora sensiblemente menos creíble.

Para conectar las cajas acústicas en bicableado utilizando tanto los terminales de conexión estándar como el Speakon, proceda como sigue.

Si se opta por la opción Speakon, desmonte la clavija Speakon tal y como se muestra en la Figura 5a y conecte un par de cables positivos y negativos a los terminales marcados como +1 y -1 y el otro par de cables positivos y negativos a los terminales marcados como +2 y -2. Asegúrese de que los cables positivos estén conectados a los terminales + y que los cables negativos estén conectados a los terminales -. Una conexión incorrecta tendrá como resultado una pérdida de graves y una imagen sonora sensiblemente menos creíble. Una vez que la clavija haya sido montada por completo, podrá insertarla en su correspondiente toma y fijarla girándola en sentido horario.

Si se utilizan los terminales de conexión estándar, conecte un par de cables positivo y negativo a los terminales designados por LF y el segundo par de cables positivo y negativo a los terminales designados por HF. Asegúrese de que los cables positivos estén conectados a los terminales de color rojo y que los cables negativos estén conectados a los terminales de color negro, tal y como se ilustra en la figura 5b. Una conexión incorrecta tendrá como resultado una pérdida de graves y una imagen sonora sensiblemente menos creíble.

Consulte a su distribuidor para que le aconseje a la hora de elegir el cable de conexión. Mantenga siempre la impedancia total por debajo del máximo recomendado en las características técnicas y utilice un cable de baja inductancia para evitar que se produzcan atenuaciones en las frecuencias más altas.

Neutrik y los nombres de los productos en los que se haga referencia al nombre de Neutrik son marcas y/o marcas comerciales registradas de Neutrik.

Ajuste Fino

Antes de proceder al ajuste fino, asegúrese de que todas las conexiones de la instalación sean correctas y seguras.

Si el sonido es demasiado brillante (léase chillón), el aumento de la cantidad de materiales blandos (generalmente fonoabsorbentes) presentes en la sala (utilice, por ejemplo, cortinas más pesadas) puede ayudar a equilibrar el sonido. Por el contrario, si se reduce la presencia de los citados materiales se conseguirá incrementar el nivel de brillo de un sonido apagado y carente de vida.

Algunas salas se ven afectadas por lo que se denomina "eco flotante", es decir ecos que "rebotan" entre paredes paralelas de las mismas. Los ecos flotantes pueden colorear el sonido de las cajas acústicas instaladas en la sala. Compruebe si en la sala de escucha hay ecos flotantes situándose de pie en el centro de la misma, aplaudiendo rápidamente y escuchando a continuación para detectar si se producen repeticiones rápidas de los aplausos. Para reducir dicho eco, coloque objetos de forma irregular o superficies no reflectantes (como por ejemplo tapetes, cuadros o estanterías repletas de libros) en el suelo o en una de las paredes afectadas.

Período de Rodaje

Las prestaciones de la caja acústica cambiarán sutilmente durante el período de escucha inicial. Si la caja ha estado almacenada en un ambiente frío, tanto los materiales absorbentes y de amortiguamiento acústico como los que forman parte de los sistemas de suspensión de los diferentes altavoces tardarán cierto tiempo en recuperar sus propiedades mecánicas correctas. Las suspensiones de los altavoces también se relajarán durante las primeras horas de uso. El tiempo que la caja acústica necesite para alcanzar las prestaciones para las que fue diseñada variará en función de las condiciones de almacenamiento previas de la misma y de cómo se utilice. A modo de guía, deje transcurrir una semana para la estabilización térmica de la caja y unas 15 horas de uso en condiciones normales para que las partes mecánicas de la misma alcancen las características de funcionamiento para las que fueron diseñadas.

No obstante, hay constancia de períodos de rodaje más largos (del orden de un mes) y las evidencias suficientes para sugerir que ello tiene poco que ver con cambios en la caja acústica y bastante con la adaptación del usuario al nuevo sonido proporcionado por la misma. Esto resulta bastante cierto en cajas acústicas con un elevado poder resolutorio, como por ejemplo la CT8.2, hasta el punto de que puede producirse un aumento significativo del nivel de detalle en comparación con el que estaba acostumbrado a percibir el usuario; en un primer momento, el sonido puede aparecer excesivamente "adelantado" y quizá un poco duro. Después de un largo período de tiempo, el sonido parecerá más suave aunque sin perder claridad ni detalle.

Cuidado y Mantenimiento

Por regla general, la superficie del recinto sólo requiere que se le quite el polvo. Si desea utilizar un limpiador de tipo aerosol, retire en primer lugar cuidadosamente la rejilla protectora y aléjela del recinto. Rocíe sobre la gamuza limpiadora, nunca directamente sobre el recinto. Pruebe primero con una superficie pequeña por cuanto algunos productos de limpieza pueden dañar ciertas superficies. Evite utilizar productos abrasivos o que contengan ácidos, álcalis o agentes antibacteriológicos. La tela de la rejilla protectora puede limpiarse con un cepillo normal para la ropa o un aspirador mientras esté separada del recinto. Evite tocar los altavoces, en especial el tweeter, ya que podrían producirse daños en los mismos.

Garantía limitada

Este producto ha sido diseñado y fabricado de acuerdo con las más altas normas de calidad. No obstante, si hallara algún desperfecto, B&W Loudspeakers y sus distribuidores nacionales garantizan, sin coste alguno para usted, la mano de obra (es posible que haya excepciones) y la reposición de piezas en cualquier país donde se cuente con un distribuidor autorizado de B&W.

Esta garantía limitada es válida por un período de cinco años desde la fecha de compra y de dos años para las partes electrónicas, incluyendo sistemas de altavoces amplificados.

Términos y condiciones

- 1 Esta garantía está limitada a la reparación del equipo. La garantía no cubre ni el transporte, ni otros costes, ni ningún riesgo por traslado, transporte e instalación de los productos.
- 2 La garantía será aplicable exclusivamente para el propietario original. No es transferible.
- 3 Esta garantía tendrá validez solamente si se trata de materiales defectuosos y/o de fabricación existentes en el momento de la compra, y no será válida en los siguientes casos:
 - a. daños causados por instalación, conexión o embalaje inapropiados,
 - b. daños causados por uso inapropiado que no se corresponda con el uso correcto tal como se describe en el manual del usuario, negligencia, modificaciones o la utilización de piezas no originales de fábrica o no autorizadas por B&W,
 - c. daños causados por equipos auxiliares defectuosos o inapropiados,
 - d. daños causados por accidentes, relámpagos, agua, incendios, calor, guerra, disturbios sociales u otra causa ajena al control razonable de B&W y de sus distribuidores autorizados,
 - e. productos cuyo número de serie haya sido modificado, borrado, retirado o convertido en ilegible,
 - f. si una persona no autorizada ha efectuado alguna reparación o modificación en el producto.
- 4 Esta garantía complementa cualquier obligación legal a nivel nacional/regional de concesionarios o distribuidores nacionales y, como cliente, no afecta a sus derechos estatutarios.

Cómo solicitar reparaciones bajo garantía

En caso de ser necesaria alguna revisión, siga el siguiente procedimiento:

- 1 Si está usando el equipo en el país en que fue adquirido, debería contactar con el concesionario autorizado de B&W en donde lo adquirió.
- 2 Si el equipo está siendo utilizado fuera del país en que fue adquirido, debería contactar con el distribuidor nacional de B&W correspondiente al país donde reside, que le asesorará sobre el lugar al que enviarlo para que pueda ser revisado. Para obtener información sobre cómo contactar con su distribuidor local, puede llamar a B&W en el Reino Unido o visitar nuestro sitio web.

Para validar su garantía, deberá mostrar el folleto de garantía debidamente cumplimentado y con la fecha de compra estampada por su concesionario. De lo contrario, tendrá que mostrar la factura de venta original u otro comprobante que demuestre su propiedad y la autenticidad de su fecha de compra.

Italiano

Manuale di istruzioni

Caro cliente,

Grazie per aver scelto Bowers & Wilkins. Vi preghiamo di leggere l'intero manuale prima di sballare ed installare il prodotto. In questo modo otterrete il meglio dalla sua resa sonora. B&W ha una rete di distributori in più di 60 paesi che saranno in grado di assistervi nel caso in cui aveste dei problemi che il vostro rivenditore non può risolvere.

Informazioni ambientali



Tutti i prodotti B&W sono realizzati in conformità con le normative internazionali: Restriction of Hazardous Substances (RoHS) per apparecchi elettronici ed elettrici, ed alle norme Waste Electrical and Electronic Equipment (WEEE). Questi simboli indicano la compatibilità con queste norme, e che il prodotto deve essere riciclato o smaltito in ottemperanza a queste direttive. Per informazioni sullo smaltimento di questo prodotto fate riferimento alle norme locali del vostro paese.

Contenuto dell'imballo

Verificare che siano presenti le seguenti parti:

- 1 connettore Speakon
- 2 staffe da muro
- 4 bulloni M6
- 2 inserti in spugna
- 2 guarnizioni per il pannello degli altoparlanti
- 1 guarnizione per il pannello
- 1 chiave Allen da 5mm

Installazione del diffusore

Il diffusore CT8.2 LCRS è realizzato per essere utilizzato come canale frontale o centrale in sistemi home theatre. Come canale centrale, il diffusore può essere utilizzato sia in posizione verticale che orizzontale, modificando la posizione dei moduli altoparlanti medio/alti e dei bassi; l'operazione di configurazione per l'utilizzo in orizzontale come canale centrale viene spiegata più avanti in questo manuale.

I diffusori CT8.2 possono essere installati a pavimento o anche in cabinet dedicati. In dotazione vengono forniti dei piedini per impedire al diffusore di cadere in avanti se poggiato a pavimento, su di una mensola o su di un'altra superficie piana. I piedini si installano sul retro delle CT8.2 tramite i fori filettati M6, utilizzando i bulloni M6 in dotazione, assicurandosi che la parte piana sia rivolta verso il pavimento; il foro che rimane libero può quindi essere usato per assicurare il piedino sulla superficie di supporto. Utilizzate ferramenta adeguata (viti e tasselli) secondo necessità. La figura 1 illustra l'utilizzo dei piedini.

Per l'utilizzo della staffa fornita in dotazione montate i due elementi corti sul diffusore utilizzando gli inserti filettati sul pannello posteriore, ed i 4 bulloni M6 in dotazione. Installate l'elemento lungo della staffa a muro nella posizione desiderata. Dopo che tutti gli elementi che compongono la staffa sono stati installati a dovere il diffusore può essere appeso al muro. La figura 2 mostra l'uso delle staffe. Prima di utilizzarle assicuratevi che il muro ed i tasselli di fissaggio siano in grado di sopportare il peso dei diffusori. B&W non potrà essere ritenuta responsabile per un montaggio inadeguato o danni dovuti a causa di questo.

Indipendentemente dal tipo di installazione utilizzata, prestate attenzione quando sollevate i diffusori per fissarli poiché sono ingombranti e pesanti; vi consigliamo di eseguire questa operazione in due persone. B&W non potrà essere ritenuta responsabile per un montaggio inadeguato o danni dovuti a causa di questo a muri, pavimenti e/o mobili.

Posizionamento del diffusore

Se i diffusori della Serie CT8.2 vengono utilizzati come canali frontali in un sistema home theatre, dovrebbero essere posizionati a pavimento o all'interno di cabinet apposti ai lati dello schermo a circa 0,5 m di distanza dai lati dello schermo, per adeguare l'immagine sonora alla grandezza visiva dello schermo. Vedi figura 2.

Un diffusore della Serie CT8.2 LCRS utilizzato come canale centrale in un sistema home theatre, dovrebbe essere posizionato centralmente direttamente sopra o sotto lo schermo. Nel caso di schermi acusticamente trasparenti, il diffusore del canale centrale dovrebbe essere posizionato centralmente dietro lo schermo. In questo caso, è più appropriato utilizzare la configurazione verticale standard del CT8.2. Vedi figura 2.

Configurazione come canale centrale orizzontale del CT8.2

Il CT8.2 può essere configurato per l'utilizzo come canale centrale in posizione orizzontale, modificando le posizioni dei moduli altoparlanti medio/alti e dei bassi. Inoltre il modulo degli altoparlanti medio/alti deve essere ruotato di novanta gradi. La procedura è descritta di seguito ed integrata delle relative illustrazioni.

Per effettuare questa operazione avrete bisogno di una chiave esagonale M4 ed M5, e di spazio per posizionare il diffusore poggiato sul dorso e per lavorarci attorno, inoltre vi consigliamo di farvi assistere da una seconda persona e che seguitate attentamente le procedure indicate. In particolare, fate attenzione agli altoparlanti che sono componenti di precisione estremamente delicati e che potrebbero essere danneggiati se maneggiati in maniera inappropriata. Raccomandiamo inoltre di mantenere la copertura del tweeter durante l'intera procedura.

Passo 1 (Figura 3a)

Con il diffusore rivolto verso l'alto, svitate e rimuovete le quattro viti M5 di fissaggio del modulo dei medio/alti sul cabinet. Mantenete il modulo con un mano mentre rimuovete l'ultimo bullone, per evitare che cada. Mettete da parte viti e rondelle.

Passo 2 (Figura 3a)

Il modulo potrebbe cadere in avanti mentre togliete la mano, in questo caso, può essere rimosso con attenzione dal cabinet. Se non si muove, potrebbe essere necessario inclinare leggermente in avanti il cabinet per farlo uscire verso l'esterno ed avere modo di estrarlo. Tenete una mano sul modulo mentre lo inclinate.

Passo 3 (Figura 3b)

Mentre state togliendo il modulo dei medio/alti dal cabinet, i suoi cavi di collegamento saranno visibili. A questo punto dovrete scollegare il connettore posizionato a circa metà dei cavi. Mentre un aiutante regge il modulo degli altoparlanti, tenete ben salde le due estremità del connettore e tirando verso l'esterno scollegatele.

Passo 4 (Figura 3b)

Una volta che il modulo degli altoparlanti medio/alti è stato scollegato, può essere separato completamente dal cabinet e messo da parte. Anche il materiale di riempimento che si trova dietro al modulo andrebbe rimosso e messo da parte. La guarnizione di tenuta del modulo degli altoparlanti medio/alti dovrebbe essere rimossa e buttata via.

Passo 5 (Figura 3c)

Il diffusore dovrebbe essere quindi coricato con attenzione sul suo dorso per potere togliere il modulo dei bassi. Rimuovete i quattro bulloni M5 che fissano il modulo dei bassi al cabinet, e mettetelo da parte viti e rondelle.

Passo 6 (Figura 3c)

Spingete dal lato il modulo degli altoparlanti dei bassi per toglierlo. Per avere accesso al retro del modulo, dovrete rimuovere il pannello dietro al modulo dei medio/alti nel cabinet. Svitare e togliete gli otto bulloni M5 di fissaggio del pannello ed estraetelo dall'apertura. Rimuovete e gettate la guarnizione, e mettetelo da parte i bulloni. Inserite la mano nell'apertura per raggiungere la parte posteriore del modulo dei bassi e spingetelo con attenzione verso l'alto.

Passo 7 (Figura 3d)

Dopo che il modulo dei bassi è stato spinto leggermente verso l'alto dall'interno del cabinet, può ora essere rimosso. Dopo avere preso nota della posizione dei cavi colorati, scollegate l'altoparlante estraendo dalla loro sede i connettori. Mettete da parte il modulo dei bassi. Anche il materiale di riempimento che si trova dietro al modulo andrebbe rimosso e messo da parte. La guarnizione di tenuta del modulo dei bassi dovrebbe essere rimossa e buttata via.

Passo 8 (Figura 3e)

I cavi per il modulo dei bassi e dei medio/alti possono ora essere invertiti nelle loro nuove posizioni. Inserite i cavi dei medio/alti, incluso il relativo pannello, attraverso il cabinet nella parte in cui era in precedenza posizionato il modulo delle basse frequenze. Inserite i cavi dei bassi nella parte del cabinet in cui era in precedenza posizionato il modulo delle frequenze medio/alte.

Passo 9 (Figura 3f)

Posizionate e fissate il pannello interno nella nuova sede dei medio/alti nel cabinet utilizzando una nuova guarnizione e gli otto bulloni M4. Serrate i bulloni ad una coppia di serraggio di 1.70Nm. Fate attenzione quando fissate il pannello, il materiale di riempimento potrebbe fraporsi fra il pannello e il bordo mentre avvitate i bulloni.

Passo 10 (Figura 3g)

Riposizionate il materiale di riempimento nella cavità del modulo dei medio/alti e posizionate una nuova guarnizione sulla superficie del cabinet. Prendete il modulo dei medio/alti, ricollegate i connettori e posizionate il modulo sul cabinet ruotandolo di 90° in modo che il tweeter sia adiacente ad un bordo. Posizionate la guarnizione e reinserte le quattro viti M5 e le relative rondelle. Serrate i bulloni ad una coppia di serraggio di 1.70Nm.

Nota: Normalmente non è importante su quale lato del cabinet è posizionato il tweeter (ad.es. se il modulo dei medio/alti è ruotato di 90° in senso orario o antiorario).

Passo 11 (Figura 3h)

Riposizionate il materiale di riempimento nella cavità del modulo dei bassi e posizionate una nuova guarnizione su tutta la sua superficie nel cabinet. Prendete il modulo dei bassi, ricollegate i connettori dell'altoparlante e posizionate il modulo sul cabinet. Riposizionate le viti M5 e le rondelle e serrate ad una coppia di serraggio di 1.70Nm. La CT8.2 riconfigurata è ora pronta per l'uso come canale centrale orizzontale.

Nota: Potrebbe verificarsi la possibilità che ricollegando l'altoparlante dei bassi non venga rispettata la polarità. Per verificare la corretta polarità dei bassi, collegate una batteria da 1.5V ai connettori di ingresso dei bassi, con il terminale positivo della batteria collegato al terminale di ingresso positivo. Entrambi i coni dovrebbero muoversi verso l'esterno.

Campi magnetici dispersi

Le unità altoparlanti creano campi magnetici dispersi che si estendono al di là del cabinet. Vi raccomandiamo di tenere lontani i prodotti sensibili ai campi magnetici (televisori CRT, schermi per computer, dischi per computer, tessere magnetiche, nastri audio e video e simili), almeno a 0,5 m dal diffusore. I monitor LCD o al plasma non sono interessati dall'influsso dei campi magnetici.

Collegamenti

Tutti i collegamenti dovrebbero essere effettuati con tutti i componenti del sistema spenti.

Sul retro dei diffusori dei CT8.2 vi sono due coppie di terminali ed un connettore Neutrik® Speakon. I terminali di connessione tradizionali permettono un facile e veloce collegamento di cavi spellati, mentre i connettori Speakon garantiscono metodo di collegamento più sicuro e stabile. Entrambe le opzioni permettono di effettuare un collegamento in modalità bi-wiring.

Se utilizzate l'opzione Speakon, collegando i diffusori in modalità convenzionale a singolo cavo, inserite la parte spellata del conduttore in ogni terminale, quindi serrate il cappuccio a vite per bloccarlo, quindi smontate il connettore Speakon come mostrato in figura 4a e collegate il cavo positivo al terminale contrassegnato +1 ed il cavo negativo al terminale contrassegnato -1. La non osservanza della polarità darà luogo ad una inadeguata riproduzione dell'immagine sonora ed ad una perdita di bassi. Dopo che avrete rimontato il connettore potrà essere inserito nel suo alloggiamento e bloccato ruotandolo in senso orario.

Se scegliete il metodo di connessione tradizionale ed utilizzate i terminali per diffusori con connessioni a cavo singolo, inserite la parte spellata del conduttore in ogni terminale, quindi serrate il cappuccio a vite per bloccarlo. Collegate il cavo positivo ad uno dei terminali di uscita rossi, ed il cavo negativo al terminale nero corrispondente come illustrato in figura 4b. La non osservanza della polarità darà luogo ad una inadeguata riproduzione dell'immagine sonora ed ad una perdita di bassi.

Per collegare i diffusori in modalità bi-wiring utilizzando i terminali per diffusori o i connettori Speakon

Se utilizzate l'opzione Speakon, collegando i diffusori in modalità convenzionale a singolo cavo, smontate il connettore Speakon come mostrato in figura 5a, collegate una coppia dei cavi positivi e negativi ai terminali contrassegnati con +1 e -1, e la seconda coppia di cavi positivi e negativi ai terminali contrassegnati +2 e -2.

Assicuratevi che i cavi positivi siano connessi ai terminali + ed i cavi negativi ai terminali -. La non osservanza della polarità darà luogo ad una inadeguata riproduzione dell'immagine sonora ed ad una perdita di bassi. Dopo che avrete rimontato il connettore potrà essere inserito nel suo alloggiamento e bloccato ruotandolo in senso orario.

Se scegliete il metodo di connessione tradizionale ed utilizzate i terminali per diffusori, collegate una coppia dei cavi positivi e negativi ai terminali contrassegnati LF, e la seconda coppia di cavi positivi e negativi ai terminali contrassegnati HF. Assicuratevi che i cavi positivi siano connessi ai terminali rossi ed i cavi negativi ai terminali neri come illustrato in figura 5b. La non osservanza della polarità darà luogo ad una inadeguata riproduzione dell'immagine sonora ed ad una perdita di bassi.

Chiedete consiglio al vostro rivenditore sulla scelta dei cavi per i diffusori. Controllate che l'impedenza totale sia inferiore a quella massima raccomandata nelle caratteristiche dei diffusori, ed utilizzate un cavo a bassa induttanza per evitare l'attenuazione delle frequenze più alte.

Neutrik® ed i nomi dei prodotti Neutrik® a cui si fa riferimento sono marchi registrati e/o marchi di proprietà di Neutrik®.

Regolazione fine

Prima di eseguire la messa a punto del sistema, ricontrollate nuovamente la polarità ed i collegamenti.

Se il suono è troppo acuto, aumentate l'arredamento in tessuto della stanza (per esempio, utilizzate tendaggi più pesanti), oppure riducetelo se il suono è opaco e spento.

Alcune stanze ricreano un fastidioso effetto eco: i suoni potrebbero rimbalzare tra muri paralleli o adiacenti. Questo effetto potrebbe influire negativamente sul suono dei diffusori nella stanza. Controllate l'effetto eco battendo le mani al centro della stanza. Potete limitare questo effetto facendo uso di superfici irregolari o non riflettenti come librerie, grandi mobili, quadri o tappeti su uno dei muri o sul pavimento adiacente al muro.

Periodo di rodaggio

Le prestazioni del diffusore cambieranno notevolmente dopo il periodo iniziale di ascolto. Se il diffusore è stato immagazzinato in un ambiente freddo, i componenti degli altoparlanti avranno bisogno di qualche tempo per recuperare le loro proprietà meccaniche naturali. Anche le sospensioni dell'altoparlante si allenteranno durante le prime ore di utilizzo. Il tempo necessario al diffusore per raggiungere le sue normali prestazioni varia in base alle condizioni di immagazzinamento precedenti e da come vengono usati. In genere, ci vorrà circa una settimana per stabilizzare gli effetti della temperatura, ed in media 15 ore di funzionamento perché le parti meccaniche riprendano le loro caratteristiche di base.

Comunque, è stato provato che anche con periodi di rodaggio più lunghi (circa un mese) non sono stati notati cambiamenti sostanziali nei diffusori; questo anche perché l'ascoltatore comincia ad abituarsi al nuovo suono dei diffusori. Con diffusori di elevata qualità come questi, potreste notare un significativo incremento nella quantità dei dettagli se comparati con il tipo di suono a cui eravate abituati in precedenza; all'inizio il suono potrebbe sembrarvi troppo "diretto" e forse duro. Dopo un certo periodo di tempo il suono sembrerà più dolce, ma senza perdita di chiarezza e dettaglio.

Manutenzione

La superficie del cabinet solitamente deve essere solo spolverata. Se volete utilizzare un apposito prodotto spray antistatico per pulirlo, prima rimuovete le griglie tirandole delicatamente verso l'esterno del cabinet. Spruzzate il prodotto sul panno, non direttamente sul cabinet, e provatelo prima solo su una piccola area del diffusore poiché alcuni prodotti potrebbero danneggiare alcune superfici del diffusore. Evitate prodotti abrasivi o che contengono alcali o agenti anti-batterici. Non utilizzate prodotti per la pulizia sugli altoparlanti.

Per pulire il tessuto delle griglie, potete utilizzare una normale spazzola per panni, passandola delicatamente sulla griglia dopo che è stata tolta dal diffusore. Evitate di toccare gli altoparlanti, specialmente i tweeter, poiché potrebbero danneggiarsi.

Garanzia limitata

Questo prodotto è stato progettato e fabbricato secondo i più alti standard qualitativi. Tuttavia, nell'improbabile caso di un guasto o malfunzionamento, B&W Group Ltd. e i suoi distributori nazionali garantiscono parti sostitutive e mano d'opera gratuite (alcune eccezioni sono possibili) nei paesi in cui è presente un distributore ufficiale B&W.

Questa garanzia limitata è valida per un periodo di cinque anni dalla data di acquisto o di due anni per i componenti elettronici, diffusori attivi inclusi.

Termini e condizioni

- 1 La garanzia è limitata alla sola riparazione delle apparecchiature. La garanzia non copre i costi di trasporto o nessun altro tipo di costo, né i rischi derivanti dalla rimozione, il trasporto e l'installazione dei prodotti.
- 2 La garanzia è valida solo per l'acquirente originario e non è trasferibile.
- 3 Questa garanzia è applicabile solo in caso di materiali e/o fabbricazione difettosi al momento dell'acquisto e non è applicabile nei seguenti casi:
 - a. danni causati da installazione, connessione o imballaggio incorretti,
 - b. danni causati da un uso inadeguato del prodotto, diverso dall'uso specificato nel manuale dell'utente, negligenza, modifiche o impiego di componenti non fabbricati o autorizzati da B&W,
 - c. danni causati da apparecchiature ausiliarie difettose o inadatte,
 - d. danni causati da incidenti, fulmini, acqua, fiamme, calore, guerra, disordini pubblici o altra causa al di fuori del ragionevole controllo di B&W e dei suoi ufficiali distributori,
 - e. quando il numero di serie del prodotto è stato alterato, cancellato, rimosso o reso illeggibile,
 - f. se riparazioni o modifiche sono state effettuate da personale non autorizzato.
- 4 Questa garanzia completa le obbligazioni di legge regionali e nazionali dei rivenditori o distributori nazionali e non incide sui diritti del consumatore stabiliti per legge.

Riparazioni in garanzia

Se sono necessarie delle riparazioni, seguire le procedure delineate qui di seguito:

- 1 Se le apparecchiature sono utilizzate nel paese in cui sono state acquistate, contattare il rivenditore autorizzato B&W da cui sono state acquistate.
- 2 Se le apparecchiature non sono utilizzate nel paese in cui sono state acquistate, contattare il distributore nazionale B&W nel paese di residenza, che sarà in grado di fornire i dettagli della ditta incaricata delle riparazioni. Contattare B&W nel Regno Unito o visitare il sito web per i dettagli dei vari distributori di zona.

Per ricevere assistenza in garanzia, bisognerà esibire, compilata e timbrata dal rivenditore il giorno dell'acquisto, il tagliando di garanzia e lo scontrino d'acquisto originale o altro tipo di prova d'acquisto con data d'acquisto.

Nederlands

Handleiding

Geachte klant,

Dank u voor het kiezen van Bowers & Wilkins. Lees voordat u het product uitpakt en installeert de handleiding in zijn geheel door; het zal u helpen het product optimaal te gebruiken. B&W heeft een netwerk van toegewezen distributeurs in meer dan 60-landen die u kunnen helpen wanneer u een probleem ondervindt dat uw leverancier niet kan oplossen.

Denk aan het milieu



Alle B&W producten zijn zo ontworpen dat zij voldoen aan de internationale richtlijnen omtrent gevaarlijke stoffen (RoHS) in elektrische en elektronische apparatuur en de verwerking van afgedankte elektrische en elektronische apparatuur (WEEE). Deze symbolen geven aan dat zij er aan voldoen en dat de producten op de juiste wijze dienen te worden gerecycled of verwerkt conform deze richtlijnen. Neem zonedig contact op met uw gemeente voor nadere informatie.

Inhoud van de verpakking

Controleer of het volgende aanwezig is:

- 1 Speakon plug
- 2x Vloerbeugels
- 4x M6 moeren
- 2x Foam pluggen
- 2x Baffle pakkingen
- 1x Paneel pakkingen
- 1x 5 mm inbussleutel

Installeren

De CT8.2 luidspreker is bedoeld voor gebruik als home theater front en center toepassingen. Als center luidspreker kan hij zowel verticaal (staand – portret) worden opgesteld, maar ook horizontaal (liggend – landschap) door de positie van de midden/hoog eenheid en de bovenste woofer te verwisselen. Het configureren van een CT8.2 voor horizontaal center kanaal gebruik wordt verderop in deze handleiding behandeld.

De CT8.2 is bedoeld als aan de vloer gemonteerde luidspreker, dan wel als inbouwluuidspreker in een speciaal daarvoor gemaakt meubel. Vloerbeugels om de luidspreker vast te zetten zijn bijgeleverd. Deze vloerbeugels zijn bedoeld om te voorkomen dat de luidspreker voorover valt wanneer deze op de vloer of op enig andere vlakke ondergrond staat. De vloerbeugels worden aan de achterzijde van de CT8.2 bevestigd op de M6 van schroefdraad voorziene openingen. Bevestig de vloerbeugels stevig met de bijgeleverde M6 schroeven aan de achterzijde van de CT8.2. Bevestig de vloerbeugels zo dat het vlakke deel op de vloer steunt. Het ene sleutelgat wordt dan gebruikt om de beugel op de ondersteunende ondergrond te bevestigen. Gebruik een passende schroef en zonedig een plug. In afbeelding 1 ziet u hoe dit werkt.

Ongeacht de wijze van installeren, altijd goed opletten wanneer u de luidspreker in zijn positie tilt. Hij is log en onhandig en het is verstandig het niet alleen te doen. B&W kan nooit aansprakelijk worden gesteld voor enige schade of letsel door het niet sterk genoeg zijn van wanden, meubels en/of de bevestiging daaraan.

Opstelling

CT8.2 luidsprekers als front luidsprekers in een home theater systeem dienen op de vloer te worden opgesteld of ingebouwd in een meubel ter weerszijden van het beeldscherm. Zij dienen op een afstand van ca. 0,5 m (20") aan de zijden van het beeldscherm te staan om het geluid in verhouding te laten zijn met het beeld. Zie afbeelding 2.

Een CT8.2 luidspreker als center luidspreker in een home theater systeem dient horizontaal georiënteerd te zijn, hetzij direct boven dan wel direct onder het beeld. Bij een akoestisch transparant beeldscherm, kan de center luidspreker ook centraal en direct achter het beeldscherm worden opgesteld. In dat geval kan een verticale configuratie van de CT8.2 een goede keus zijn. Zie afbeelding 2.

CT8.2 Horizontale Center Kanaal Opstelling

De CT8.2 kan worden geconfigureerd als horizontale (landschap) center luidspreker door de posities van de bovenste woofer en de midden/hoog eenheden te verwisselen. De midden/hoog eenheid wordt zo negentig graden gedraaid. Hoe dat gaat leest u hieronder en u kunt het zien in de bijbehorende illustraties.

U heeft hiervoor een M5 en M4 moersleutel nodig en genoeg ruimte om de luidspreker op de achterkant te leggen en er omheen te kunnen lopen. Het is verstandig dit met zijn tweeën te doen. Wees bij deze ingreep uiterst voorzichtig: vooral de luidsprekereenheden zijn teer; het zijn precisie eenheden die gemakkelijk worden beschadigd door onzorgvuldige behandeling. We raden u daarom aan de tweeter bescherming op zijn plaats te laten gedurende de gehele bewerking.

Stap 1 (Afbeelding 3a)

Terwijl de luidspreker rechtop staat, schroeft u de vier M5 bouten die de midden/hoog eenheid op zijn plaats in de kast houden, los en u verwijdert ze. Houd de eenheid met één hand op zijn plaats terwijl u de laatste bout losdraait om te voorkomen dat deze valt. Leg de schroeven, revetten en de plaat ter zijde.

Stap 2 (afbeelding 3a)

De moduul kan naar voren vallen wanneer u uw hand wegneemt. In dat geval neemt u de eenheid voorzichtig van de kast weg. Zo niet, dan is het misschien nodig de kast iets naar voren te kantelen om de eenheid los te maken en te kunnen vastpakken. Houd altijd een hand op de moduul wanneer u de kast kantelt.

Stap 3 (afbeelding 3b)

Wanneer de midden/hoog eenheid van de kast is losgenomen, zijn de kabels toegankelijk. De connector die halverwege in de kabel is opgenomen dient te worden losgenomen. Terwijl een assistent de eenheid vasthoudt, neemt u beide zijden van de connector vast en trekt ze van elkaar.

Stap 4 (afbeelding 3b)

Zodra de midden/hoog eenheid is losgenomen kan deze geheel van de kast worden weggenomen en terzijde worden gelegd. Het dempend materiaal dat achter de moduul is aangebracht, dient eveneens weggenomen en terzijde te worden gelegd. De pakking van de midden/hoog eenheid wordt verwijderd en niet meer gebruikt.

Stap 5 (afbeelding 3c)

De luidspreker worden nu voorzichtig op de achterzijde gelegd om de bovenste woofermoduul te kunnen verwijderen. Verwijder de vier M5 bouten waarmee de woofermoduul aan de kast is bevestigd. Leg de bouten en revetten terzijde.

Stap 6 (afbeelding 3c)

Druk de woofermoduul van achteren naar buiten om het los te maken. Om bij de achterzijde van de moduul te komen, dient het verwijderbare paneel in de kast achter de midden/hoog eenheid te worden verwijderd. Draai de acht M4 schroeven die het paneel op zijn plaats houden, los en trek het door de opening. De pakking wordt verwijderd en niet meer gebruikt. Leg ook de schroeven terzijde. Steek uw hand door de opening en druk de woofermoduul voorzichtig naar buiten.

Stap 7 (afbeelding 3d)

Zodra de woofereenheid van binnenuit iets omhoog is getild, kan deze worden verwijderd. Nadat de posities van de gekleurde kabels is genoteerd worden de verbindingen losgenomen door deze van de aansluitingen te trekken. Leg nu de woofereenheid terzijde. Verwijder vervolgens het dempend materiaal achter de moduul en leg ook dat ter zijde. De pakking van de woofereenheid wordt verwijderd en niet meer gebruikt.

Stap 8 (afbeelding 3e)

De kabels voor de woofermoduul en de midden/hoog eenheid kunnen nu van positie worden verwisseld. Trek de midden/hoog kabels, inclusief het eraan bevestigde interne paneel door de kast naar de plaats waar de woofereenheid heeft gezeten. Leg de wooferkabels naar de positie waar de midden/hoog eenheid zat.

Stap 9 (afbeelding 3f)

Breng het interne paneel op de nieuwe plaats van de midden/hoog eenheid in de kast en zet het vast met een nieuwe pakking en de acht M4 schroeven. Draai de schroeven aan met een kracht van 1,7 Nm. Let er op dat geen dempend materiaal wordt ingeklemd bij het vastzetten.

Stap 10 (afbeelding 3g)

Breng de demping in de ruimte voor de midden/hoog moduul weer aan en tevens een nieuwe pakking op de bevestigingsrand van de kast. Neem de midden/hoog moduul, bevestig de aansluiting weer en breng de eenheid 90° gedraaid aan zodat de tweeter zich bij de rand bevindt. Breng de trimplaat weer aan en draai de vijf M5 schroeven en revetten weer vast. Ook deze schroeven worden met 1,7 Nm aangedraaid.

Opmerking: het is niet echt belangrijk aan welke zijde van de kast de tweeter is gepositioneerd; anders gezegd, of de midden/hoog eenheid 90° naar links of naar rechts is gedraaid.

Stap 11 (afbeelding 3h)

Breng de demping in de ruimte voor de woofereenheid weer aan en tevens de nieuwe pakking op de bevestigingsrand van de kast. Neem de woofermoduul, bevestig de moffen weer op de aansluitingen en breng de eenheid in de kast aan. Draai de M5 schroeven en revetten weer vast met een kracht van 1,7 Nm. De opnieuw geconfigureerde CT8.2 is nu gereed voor gebruik als horizontale (landschap) center luidspreker.

Opmerking: het is in principe mogelijk de woofer aan te sluiten met een verkeerde polariteit. Om dat te controleren sluit u heel kort een batterij van 1,5 V aan op de aansluitingen van de woofer, waarbij de plus van de batterij met de plus van de luidspreker wordt verbonden. Beide conussen dienen nu naar buiten te bewegen.

Magnetisch Strooiveld

De luidsprekereenheden hebben een magnetisch strooiveld waarvan de invloed ook buiten de kast merkbaar is. Wij raden u aan magnetisch gevoelige zaken (TV en computerschermen met beeldbuis, diskettes, audio- en videobanden, creditcards e.d.) minimaal 0,5 meter van de luidspreker vandaan te houden. LCD- en plasmaschermen zijn niet gevoelig voor het magnetisch veld.

Verbindingen

Schakel eerst alle apparatuur uit voordat u verbindingen maakt of wijzigt.

CT8.2 luidsprekers bezitten twee paar verbindingsklemmen en één Neutrik® Speakon connector op de achterzijde. De klemmen bieden een simpele en gemakkelijke verbinding met blanke draadeinden, terwijl de Speakon aansluitingen een betrouwbaardere en duurzame verbindingen opleveren. Zowel de Speakon als de klemmen hebben de mogelijkheid tot bi-wiring.

Om de luidsprekers op conventionele wijze met een enkele kabel aan te sluiten middels de Speakon optie, steekt u een klein stukje gestripte kabel door de kern van elke klemaansluiting en u draait de klem vast. Tenslotte monteert u de Speakon plug als aangegeven in afbeelding 4a en u verbindt de positieve ader met klem +1 en de negatieve met klem -1. Verkeerde verbindingen resulteren in een minder goed stereobeeld en een gebrek aan laag. Zodra de plug is gemonteerd kan deze in de aansluiting worden gestoken; u zet hem vast door hem naar rechts te draaien.

Om de luidsprekers op de conventionele enkelvoudige wijze aan te sluiten via de klemmen, steekt u een kort stukje blanke draad door elke aansluiting en u draait de bovenzijde van de aansluiting vast. Verbind de positieve ader met de rode aansluiting

en de negatieve ader met de zwarte aansluiting, als aangegeven in afbeelding 4b. Een verkeerde aansluiting kan geen kwaad maar leidt tot een slecht ruimtebeeld en een gebrek aan bas.

Luidsprekers aansluiten in bi-wiring via de Speakon verbinding of de klemmen

Wanneer de Speakon optie wordt gebruikt, maakt u de Speakon plug open als aangegeven in afbeelding 5a en u verbindt één stel positieve en negatieve aders met de aansluitingen +1 en -1 en het tweede paar positieve en negatieve aders met de aansluitingen +2 en -2. Controleer of de positieve aders zijn verbonden met de + aansluitingen en de negatieve aders met de - aansluitingen. Een verkeerde aansluiting kan geen kwaad maar leidt tot een slecht ruimtebeeld en een gebrek aan bas. Wanneer de plug weer is gemonteerd, kan deze in de aansluiting worden gestoken en worden vastgezet door naar rechts te draaien.

Gebruikt u de aansluitklemmen, verbindt dan één stel positieve en negatieve aders met de aansluitingen LF en het tweede paar positieve en negatieve aders met de aansluitingen HF. Controleer of de positieve aders zijn verbonden met de rode aansluitingen en de negatieve aders met de zwarte aansluitingen als afgebeeld in afbeelding 5b. Een verkeerde aansluiting kan geen kwaad maar leidt tot een slecht ruimtebeeld en een gebrek aan bas.

Vraag uw leverancier om advies over de te gebruiken luidsprekerkabel. Houd de totale kabelweerstand beneden het maximum dat bij de technische gegevens wordt aanbevolen en gebruik een kabel met een lage inductie om benadrukking van de hogere frequenties te vermijden.

Neutrik® en de namen van Neutrik® producten waaraan hier wordt gerefereerd, zijn handelsmerken en/of servicediensten van Neutrik®.

Fijnafstemming

Voordat u hieraan begint, controleren of alle verbindingen van de installatie correct zijn gemaakt en goed vast zitten.

Wanneer de klank te helder is, kan het aanbrengen van zachte bekleding in de kamer (zwaardere gordijnen bijvoorbeeld) het geluid in balans brengen. Omgekeerd kan het reduceren van zachte bekleding het geluid wat sprankelender maken.

Sommige kamers hebben last van een repeterende echo – het geluid weerkaatst tussen twee parallel lopende wanden. Dit soort echo's kleuren het geluid van de luidsprekers in de kamer. Test op deze echo's door in het midden van de kamer te gaan staan en in uw handen te klappen. Repeterende echo's kunnen worden gereduceerd door onregelmatig gevormde objecten en niet reflecterende vlakken in de kamer aan te brengen zoals boekenplanken, tapijt of schilderijen op of tegen een van de reflecterende wanden of vloer.

Inspelen

De eigenschappen van de luidspreker zullen gedurende de eerste luisterperiode op subtiele wijze iets veranderen. Wanneer de luidspreker in een koude omgeving opgeslagen is geweest, zijn de dempende materialen en de ophanging wat stug en het duurt enige tijd voordat zij de juiste mechanische eigenschappen terug hebben. Ook zal de ophanging in de eerste uren van het gebruik nog wat soepeler worden. De tijd die de luidspreker nodig heeft om de beoogde eigenschappen te bereiken, wordt bepaald door de wijze waarop hij voorheen is opgeslagen en de manier waarop hij wordt gebruikt. Houd als richtlijn een week aan om een stabiele temperatuur te bereiken en ca. 15 uur gebruik om de mechanische onderdelen de beoogde eigenschappen te laten verkrijgen.

Maar ook langere inspeeltijden zijn gerapporteerd (tot een maand) en er zijn ook aanwijzingen dat dit minder te maken heeft met veranderingen van eigenschappen van de luidspreker als met de gewinning van de luisteraar aan de nieuwe klank. Dat geldt vooral voor luidsprekers als deze, die in hoge mate laten horen wat de werkelijke inhoud van de opname is en daarmee een grotere detaillering in vergelijking tot wat de luisteraar voorheen was gewend. Aanvankelijk kan het geluid wat direct en zelfs enigszins hard lijken. Na enige tijd lijkt het geluid zachter te worden, maar zonder aan tekening en detaillering te verliezen.

Nazorg

De kast van de luidsprekers behoeft normaal gesproken alleen maar te worden afgestoft. Wilt u een schoonmaakspray of een ander middel gebruiken, verwijder dan eerst de grill door deze voorzichtig van de kast te trekken. Spuit op een zachte doek en nooit direct op de kast. Probeer eerst op een onzichtbare plek, daar sommige reinigingsmiddelen het oppervlak kunnen beschadigen. Vermijd schuurmiddelen of middelen die gif bevatten, alkali en antibacterie stoffen. Gebruik nooit schoonmaakmiddelen op de eenheden. De stof van de grill kan met een gewone kledingborstel worden schoongemaakt, terwijl deze van de kast is afgenomen. Vermijd aanraking van de eenheden, vooral de tweeter, die zeer gemakkelijk beschadigd kan raken.

Garantie

Dit product is volgens de hoogste kwaliteitsnormen ontworpen en vervaardigd. Mocht er toch iets defect zijn aan dit product dan garanderen B&W Group Ltd. en haar landelijk distributeurnetwerk dat u aanspraak kunt maken op kosteloze reparatie (er zijn uitzonderingen) en vervanging van onderdelen in elk land, door een officiële B&W distributeur.

Deze beperkte garantie is geldig voor een periode van vijf jaar vanaf de aankoopdatum of twee jaar voor elektronica, waaronder actieve luidsprekers.

Voorwaarden

1. De garantie is beperkt tot de reparatie van de apparatuur. Transport- en andere kosten, eventueel risico voor het verwijderen, vervoeren en installeren van producten vallen niet onder deze garantie.
2. De garantie geldt alleen voor de eerste eigenaar en is niet overdraagbaar.

3. Deze garantie is niet van toepassing in andere gevallen dan defecten van materialen en/of fabricage ten tijde van aankoop en is niet van toepassing:
 - a. op schade die veroorzaakt is door onjuiste installatie, aansluiting of verpakking;
 - b. op schade die veroorzaakt is door onjuist gebruik, anders dan beschreven in de handleiding, nalatigheid, modificatie, of gebruik van onderdelen die niet door B&W zijn goedgekeurd of gemaakt;
 - c. op schade veroorzaakt door defecte of ongeschikte aanvullende apparatuur;
 - d. op schade veroorzaakt door ongeval, onweer, water, brand, hitte, oorlog, openbaar geweld of een andere oorzaak buiten redelijk toezicht van B&W en haar distributeurs;
 - e. op producten waarvan het serienummer gewijzigd, verwijderd, gewist of onleesbaar is gemaakt;
 - f. indien reparaties of modificaties zijn uitgevoerd door een onbevoegd persoon.
4. Deze garantie is ter aanvulling op eventuele nationale/regionale wettelijke verplichtingen voor dealers of nationale distributeurs en heeft geen invloed op uw wettelijke rechten als consument.

Garantieclaims

Wanneer u aanspraak wilt maken op garantie, handel dan als volgt:

1. Indien de apparatuur wordt gebruikt in het land van aankoop, neem dan contact op met de erkende B&W dealer waar de apparatuur is gekocht.
2. Indien de apparatuur niet in het land van aankoop wordt gebruikt, neem dan contact op met de nationale distributeur van B&W in het land waar u verblijft. Deze zal u informeren hoe te handelen. Ook kunt u contact opnemen met B&W in Groot-Brittannië of onze website bezoeken om te zien wie uw lokale distributeur is.

Om uw recht op garantie geldig te maken, dient u het garantiebewijs te overleggen, op de dag van aankoop ingevuld en van een stempel voorzien door uw handelaar.

Ελληνικά

Οδηγίες Χρήσεως

Αγαπητέ πελάτη,

Σας ευχαριστούμε που επιλέξατε την B&W. Παρακαλούμε, πριν αποσυσκευάσετε και εγκαταστήσετε τα ηχεία, διαβάστε προσεκτικά τις οδηγίες που περιλαμβάνονται σε αυτό το φυλλάδιο, για να έχετε τη βέλτιστη απόδοση από το σύστημά σας. Η B&W έχει ένα δίκτυο αποκλειστικών αντιπροσώπων σε περισσότερες από 60 χώρες, οι οποίοι θα μπορούν να σας βοηθήσουν στην περίπτωση που συναντήσετε κάποια προβλήματα που δεν μπορεί να λύσει το κατ'ελάχιστο από όπου αγοράσατε τα ηχεία.

Πληροφορίες σχετικά με την προστασία του περιβάλλοντος



Τα προϊόντα της B&W είναι σχεδιασμένα σύμφωνα με τις διεθνείς οδηγίες σχετικά τον Περιορισμό των Επικινδυνών Ουσιών (RoHS) στις ηλεκτρικές και ηλεκτρονικές συσκευές, καθώς και σχετικά με την διάθεση Ηλεκτρικών και Ηλεκτρονικών Αποβλήτων (WEEE). Το σύμβολο του διαγραμμένου κάδου απορριμμάτων σημαίνει τη συμμόρφωση με τις οδηγίες αυτές, και ότι τα προϊόντα θα πρέπει να ανακυκλώνονται και να υπόκεινται στην κατάλληλη επεξεργασία.

Συμβουλευτείτε την υπηρεσία περιβαλλοντικής προστασίας της περιοχής σας, σχετικά με τον τρόπο διάθεσης ειδικών απορριμμάτων.

ΠΕΡΙΕΧΟΜΕΝΑ ΣΥΣΚΕΥΑΣΙΑΣ

Η συσκευασία θα πρέπει να περιέχει:

- 1 βύσμα Speakon
- 2 x Βάσεις στήριξης (επιδαπέδιες)
- 4 x Βίδες M6
- 2 x Αφρώδης "τάπερ" για τις οπές bass reflex
- 2 x Φλάντζες για τις επιφάνειες στήριξης των μεγάφωνων
- 1 x Φλάντζα για το τοίχωμα του θαλάμου μεσαίων υψηλών
- 1 x Κλειδί Άλεν 5mm

Εγκατάσταση

Τα CT 8.2 έχουν σχεδιαστεί για συστήματα οικιακού κινηματογράφου. Προορίζονται για εφαρμογές κυρίως ηχείων καθώς και κεντρικού ηχείου. Σε εφαρμογή κεντρικού ηχείου (καναλιού) το CT 8.2 μπορεί να χρησιμοποιηθεί είτε τοποθετημένο κατακόρυφα είτε οριζόντια. Στην περίπτωση που θα τοποθετηθεί οριζόντια θα πρέπει να αλλάχθει η διάταξη των μεγάφωνων στη μπάφλα του ηχείου – αλλάζοντας θέση στο πάνελ με τα μεγάφωνα των μεσαίων και υψηλών με το πάνω μεγάλο των χαμηλών. Το πώς γίνεται η αναδιάταξη των μεγάφωνων για οριζόντια τοποθέτηση του CT 8.2 αναλύεται σε ακόλουθο σημείο, των οδηγιών χρήσης.

Το CT 8.2 μπορεί είτε να στερεωθεί στο δάπεδο είτε να ενσωματωθεί σε ένα έπιπλο (ή σε τοίχο) που έχει διαμορφωθεί για αυτό το σκοπό. Στη συσκευασία του θα βρείτε βάσεις που έχουν σχεδιαστεί ώστε να εμποδίζουν την ανατροπή του ηχείου όταν το τοποθετείτε στο δάπεδο, σε ένα ράφι ή σε άλλη επίπεδη επιφάνεια. Αυτές οι βάσεις προσαρμόζονται στη πλάτη του CT 8.2 χρησιμοποιώντας τις βίδες (M6) που θα βρείτε στη συσκευασία. Χρησιμοποιώντας τις βίδες σφίξετε τις βάσεις στη «πλάτη» των CT 8.2. Οι βάσεις πρέπει να στερεωθούν με τέτοιο τρόπο έτσι ώστε το επίπεδο τμήμα τους να ακουμπά στο πάτωμα. Έχοντας τοποθετήσει σωστά τις βάσεις η εγκατάσταση (που υπάρχει σε κάθε βάση) μπορεί να χρησιμοποιηθεί για να τη στερεώσετε στην επιφάνεια που την στηρίζει. Χρησιμοποιήστε κατάλληλη βίδα και ούπατ αν είναι απαραίτητο. Στην Εικόνα 1 φαίνεται η χρήση των βάσεων – ποδιών.

Ανεξάρτητα από τον τρόπο που θα τοποθετήσετε κάθε ηχείο πρέπει να δίνετε ιδιαίτερη προσοχή όταν το σηκώνετε, είναι άβολο στο πιάσιμο του και βαρύ, για αυτό είναι καλύτερα να το σηκώνουν δύο άνθρωποι. Η B&W δεν δέχεται καμία νομική ευθύνη για οποιαδήποτε ζημία ή αστοχία σε τοίχους, πατώματα, έπιπλα και συστήματα στερέωσης.

Τοποθέτηση των ηχείων

Όταν τα CT 8.2 χρησιμοποιούνται σαν κυρίως ηχεία (εμπρός κανάλια) σε έναν οικιακό κινηματογράφο θα πρέπει να έχουν τοποθετηθεί στο δάπεδο ή να έχουν ενσωματωθεί στη δομή εκατέρωθεν της οθόνης. Κάθε ένα από αυτά θα πρέπει να βρίσκεται σε απόσταση που δεν ξεπερνά το 0,5m από την αντίστοιχη άκρη της οθόνης, έτσι ώστε η ηχητική εικόνα να βρίσκεται σε αναλογία με την οπτική. Βλέπετε και την Εικόνα 2.

Αν ένα CT 8.2 χρησιμοποιηθεί σαν κεντρικό ηχείο θα πρέπει να τοποθετηθεί οριζόντια στο μέσω του πλάτους της οθόνης, είτε στην κάτω πλευρά της, είτε στην πάνω. Στην περίπτωση που χρησιμοποιείτε μια ηχοπερατή οθόνη το κεντρικό ηχείο πρέπει να τοποθετηθεί στο κέντρο πίσω από την οθόνη. Σε αυτή τη περίπτωση το CT 8.2 προτείνεται να τοποθετηθεί κάθετα. Βλέπετε και την Εικόνα 2.

Αναδιάταξη των μεγάφωνων του CT 8.2 για χρήση σαν κεντρικό ηχείο

Η διάταξη των μεγάφωνων του CT 8.2 μπορεί να αλλάξει ώστε να τοποθετηθεί οριζόντια και να χρησιμοποιείται σαν κεντρικό ηχείο. Αυτό γίνεται εναλλάσσοντας τις θέσεις του ενός γούφερ και των μεγάλων των μεσαίων και υψηλών συχνοτήτων. Επιπλέον το πλαίσιο που φιλοξενεί τα μεγάφωνα των μεσαίων και υψηλών πρέπει να περιστραφεί κατά 90ο. Η διαδικασία περιγράφεται ακολούθως και απεικονίζεται στις εικόνες που συνοδεύουν την περιγραφή.

Θα χρειαστείτε δύο κλειδιά Άλεν (M5 & M4) και ελεύθερο χώρο για να ακουμπήσετε το ηχείο. Η ύπαρξη ενός δευτέρου ατόμου για βοήθεια προτείνεται. Πρέπει να δώσετε μεγάλη προσοχή σε όλη τη διάρκεια της

διαδικασίας. Οι μονάδες των μεγάλων είναι ευαίσθητα, μεγάλης ακριβείας εξαρτήματα που μπορεί να καταστραφούν από λανθασμένους χειρισμούς. Για αυτό το λόγο σας συνιστούμε να χρησιμοποιήσετε και το προστατευτικό κάλυμμα του τούιερ σε όλη τη διάρκεια της διαδικασίας.

Βήμα 1 (Εικόνα 3a)

Με το ηχείο τοποθετημένο όρθιο ξεβιδώστε και αφαιρέστε τις τέσσερις βίδες (M5) που συγκρατούν το πλαίσιο στερέωσης με τις μονάδες των μεσαίων και υψηλών συχνοτήτων. Συγκρατήστε το πλαίσιο με το ένα χέρι σας, όταν αφαιρέσετε την τελευταία βίδα, έτσι θα αποφύγετε τη πιθανότητα να πέσει το πλαίσιο με τα μεγάφωνα και να προκληθεί ζημιά. Ακουμπήστε σε ένα ασφαλές σημείο τις βίδες και τις ροδέλες.

Βήμα 2 (Εικόνα 3a)

Το πλαίσιο με τα μεγάφωνα μπορεί να αρχίσει να πέφτει, μόλις προσαθήσετε να το αφαιρέσετε το χέρι σας. Με το χέρι σας να εμποδίζει την απότομη πτώση αφήστε το πλαίσιο στερέωσης των μεγάλων να βγει από την καμπίνα. Αν το πλαίσιο με τα μεγάφωνα δεν μετακινείτε γείρετε το ηχείο ελαφρά προς τα εμπρός ώστε να ελευθερωθεί το πλαίσιο. Πάντα το ένα σας χέρι πρέπει να πιάνει το πλαίσιο με τα μεγάφωνα καθώς γέρνετε το ηχείο.

Βήμα 3 (Εικόνα 3b)

Με την μετακίνηση, του πλαισίου με τα μεγάφωνα, τα καλώδια που τα συνδέουν στο ηχείο θα αποκαλυφθούν. Ο ακροδέκτης σύνδεσης που υπάρχει στη μέση της διαδρομής των καλωδίων πρέπει να αποσυνδεθεί. Ενώ αυτός που σας βοηθά κρατά το πλαίσιο με τα μεγάφωνα αποσυνδέστε τον ακροδέκτη απομακρύνοντας τα δύο τμήματα μεταξύ τους.

Βήμα 4 (Εικόνα 3b)

Από τη στιγμή που το πλαίσιο με τα μεγάφωνα των μεσαίων και υψηλών συχνοτήτων έχει αποσυνδεθεί, μπορεί να απομακρυνθεί πλήρως από τη καμπίνα του ηχείου. Το ηχοαπορροφητικό υλικό που υπάρχει πίσω από το πλαίσιο των μεγάλων πρέπει να αφαιρεθεί και αυτό όπως και η φλάντζα που κάνει αεροστεγές το σημείο επαφής του πλαισίου με την καμπίνα του ηχείου.

Βήμα 5 (Εικόνα 3c)

Σε αυτό το βήμα πρέπει να ακουμπήσετε το ηχείο μαλακά στη μία πλευρά του ώστε να αφαιρέσετε το πλαίσιο που συγκρατεί το πάνω γούφερ (μεγάφωνο χαμηλών συχνοτήτων). Αφαιρέστε τις βίδες (M5) που στερεώνουν το μεγάλο ηχείο. Ακουμπήστε σε ένα ασφαλές σημείο τις βίδες και τις ροδέλες.

Βήμα 6 (Εικόνα 3c)

Πιέστε το πλαίσιο με το γούφερ από τη πίσω πλευρά του ώστε να το ελευθερώσετε. Προκειμένου να έχετε πρόσβαση στο πίσω μέρος του μεγάλων των χαμηλών, το αφαιρούμενο τοίχωμα που βρίσκεται πίσω από το πλαίσιο στερέωσης των μεγάλων μεσαίων και υψηλών πρέπει να αφαιρεθεί. Ξεβιδώστε τις βίδες (M4) που ασφαλίζουν το πάνελ και αφήστε τις να πέσουν μέσα από τις τρύπες. Αφαιρέστε τη φλάντζα. Βάλτε το χέρι σας μέσα από τη τρύπα, βρείτε το μαγνητί του γούφερ και μαλακά πιέστε τον προς τα έξω.

Βήμα 7 (Εικόνα 3d)

Από τη στιγμή που το γούφερ έχει βγει ελαφρά, μπορείτε να το τραβήξετε με ασφάλεια προς τα έξω. Σημειώστε τον προσανατολισμό των χρωματιστών καλωδίων που συνδέουν το γούφερ και στη συνέχεια αποσυνδέστε τα καλώδια. Τοποθετήστε το γούφερ σε ένα ασφαλές σημείο και στην συνέχεια αφαιρέστε το ηχοαπορροφητικό υλικό που υπάρχει πίσω από το γούφερ. Επίσης πρέπει να αφαιρέσετε τη φλάντζα που στεγανοποιεί το πλαίσιο του γούφερ με τη καμπίνα του ηχείου.

Βήμα 8 (Εικόνα 3e)

Σε αυτό το στάδιο μπορείτε να τοποθετήσετε στις νέες τους θέσεις τα καλώδια για το μεγάλο των χαμηλών συχνοτήτων και τα μεγάφωνα των μεσαίων και υψηλών. Περάστε τα καλώδια για τα μεγάφωνα των μεσαίων και υψηλών, συμπεριλαμβανομένου του πάνελ που είναι προσαρτημένο σε αυτά, διαμέσου της καμπίνας στην περιοχή που κατελάμβανε το μεγάλο των χαμηλών. Περάστε τα καλώδια για το μεγάλο των χαμηλών συχνοτήτων διαμέσου της καμπίνας στην περιοχή που κατελάμβανε τα μεγάφωνα των μεσαίων και υψηλών συχνοτήτων.

Βήμα 9 (Εικόνα 3f)

Τοποθετήστε και ασφαλίστε εκ νέου το εσωτερικό πάνελ στην περιοχή όπου θα φιλοξενηθούν τα μεγάφωνα μεσαίων και υψηλών. Χρησιμοποιήστε μια νέα φλάντζα και τις οκτώ βίδες M4. Σφίξτε τις βίδες ασκώντας ροπή 1.7Nm. Προσέξτε ώστε να μην μαγκώσετε κομμάτι από το ηχοαπορροφητικό υλικό στην εγκατάσταση στερέωσης του πάνελ με τη καμπίνα του ηχείου.

Βήμα 10 (Εικόνα 3g)

Τοποθετήστε το ηχοαπορροφητικό υλικό στη κοιλότητα που θα φιλοξενησει τα μεγάφωνα μεσαίων και υψηλών και τοποθετήστε μια νέα φλάντζα. Πάρτε το πλαίσιο που φιλοξενεί τα μεγάφωνα μεσαίων και υψηλών, συνδέστε τους ακροδέκτες και τοποθετήστε το πλαίσιο στερέωσης των μεγάλων στην καμπίνα περιστρέφοντας την κατά 90ο έτσι ώστε το τούιερ να βρίσκεται κοντά σε μια από τις πλευρές της καμπίνας του ηχείου. Τοποθετήστε το διακοσμητικό πλαίσιο και τοποθετήστε εκ νέου τις βίδες M5 καθώς και τις ροδέλες τους. Σφίξτε τις βίδες ασκώντας ροπή 1.7Nm.

Σημείωση: Δεν είναι σημαντικό το ποια πλευρά της καμπίνας βρίσκεται πιο κοντά στο τούιερ. (π.χ αν έχετε στρέψει το πάνελ με τα μεγάφωνα των μεσαίων και υψηλών συχνοτήτων κατά 90ο μοίρες σύμφωνα με τη φορά των δεικτών του ρολογιού ή αντίθετα με αυτήν).

Βήμα 11 (Εικόνα 3h)

Τοποθετήστε το ηχοαπορροφητικό υλικό στη κοιλότητα που θα φιλοξενήσει το μεγάφωνο των χαμηλών συχνοτήτων και τοποθετήστε στην υποδοχή του μεγάφωνου μια νέα φλάντζα. Πάρτε τη μονάδα των χαμηλών, συνδέστε τους ακροδέκτες στο μεγάφωνο και τοποθετήστε το στη καμπίνα. Τοποθετήστε τις βίδες M5 και τις ροδέλες τους και σφίξτε τις βίδες ασκώντας ροπή 1.7Nm. Το CT8.2 είναι τώρα έτοιμο για να χρησιμοποιηθεί σαν ηχείο για το κεντρικό κανάλι και να τοποθετηθεί οριζόντια.

Σημείωση: Είναι δυνατόν να συνδέσετε, κατά λάθος, το μεγάφωνο των χαμηλών συχνοτήτων με λανθασμένη πολικότητα. Για να ελέγξετε τη πολικότητα του μεγάφωνου των χαμηλών μετά την, εκ νέου, σύνδεση του, χρησιμοποιήστε μια μπαταρία 1.5V. Συνδέστε τα άκρα της με τους ακροδέκτες στο μεγάφωνο των χαμηλών συχνοτήτων του ηχείου. Ο θετικός πόλος της μπαταρίας θα πρέπει να συνδεθεί με το θετικό πόλο του ηχείου. Και οι δύο πόλοι των μεγάλων (των χαμηλών συχνοτήτων) θα πρέπει να κινηθούν προς τα έξω.

Ελεύθερα μαγνητικά πεδία

Τα μεγάφωνα των ηχείων παράγουν ελεύθερα μαγνητικά πεδία που ξεπερνούν τα όρια της καμπίνας. Γι' αυτό, καλό είναι να τοποθετήσετε τα ηχεία σε απόσταση τουλάχιστον μισού μέτρου από συσκευές και αντικείμενα που είναι ευαίσθητα στο μαγνητικό (συμβατικές τηλεοράσεις, οθόνες ηλ. υπολογιστών, δισκέτες, κασέτες ήχου, βιντεοκασέτες, πιστωτικές κάρτες κ.λπ.). Οι οθόνες LCD και plasma δεν επηρεάζονται από τα μαγνητικά πεδία.

Συνδέσεις

Πριν κάνετε οποιαδήποτε σύνδεση θέστε όλες τις συσκευές του συστήματος εκτός λειτουργίας και βγάλτε τις από την πρίζα.

Τα ηχεία CT8.2 έχουν στην πίσω πλευρά τους δύο ζεύγη ακροδεκτών τύπου "binding posts" και μία υποδοχή Neutrik® Speakon, για τη σύνδεση των καλωδίων. Οι ακροδέκτες προσφέρουν μία γρήγορη και εύκολη λύση για τη σύνδεση γυμνών καλωδίων, ενώ οι υποδοχές Speakon παρέχουν ένα πιο ασφαλή και αξιόπιστο τρόπο σύνδεσης. Οποιοδήποτε τύπο σύνδεσης και αν επιλέξετε, μπορείτε να διπλοκαλωδίωσετε τα ηχεία.

Για να συνδέσετε τα ηχεία συμβατικά, με ένα καλώδιο δύο αγωγών, χρησιμοποιώντας τη σύνδεση μέσω του ακροδέκτη τύπου Speakon, εισάγετε ένα κομμάτι απογυμνωμένου καλωδίου μέσα από το μεταλλικό σώμα κάθε ακροδέκτη ίδιας πολικότητας, τύπου binding post, του ηχείου και σφίξτε το πλαστικό "κεφάλι" κάθε ακροδέκτη. Κατόπιν αποσυναρμολογήστε το βύσμα τύπου Speakon όπως φαίνεται στο σχήμα 4a και συνδέστε το θετικό αγωγό του καλωδίου στον ακροδέκτη +1 και τον αρνητικό αγωγό του καλωδίου στον ακροδέκτη -1. Λανθασμένη σύνδεση μπορεί να έχει σαν αποτέλεσμα φτωχή εστίαση και απώλεια στην απόδοση των χαμηλών συχνοτήτων. Όταν έχετε επανασυναρμολογήσει το βύσμα μπορείτε να το συνδέσετε στον αντίστοιχο θηλυκό ακροδέκτη του ηχείου και να το ασφαλίσετε περιστρέφοντας το σύμφωνα με τη φορά των δεικτών του ρολογιού.

Για να συνδέσετε τα καλώδια στους απλούς ακροδέκτες, αφαιρέστε ένα μικρό τμήμα από την πλαστική μόνωση του κάθε καλωδίου, περάστε το μέσα από το άνοιγμα του ακροδέκτη, και σφίξτε καλά τη κεφαλή. Συνδέστε το θετικό ακροδέκτη του ηχείου (ο κόκκινος ακροδέκτης, με την ένδειξη "+") στο θετικό ακροδέκτη του ενισχυτή, και τον αρνητικό ακροδέκτη του ηχείου (ο μαύρος ακροδέκτης, με την ένδειξη "-") στον αρνητικό ακροδέκτη του ενισχυτή, όπως φαίνεται και στην Εικόνα 4b. Αν δεν τηρήσετε τη σωστή πολικότητα στις συνδέσεις, είναι πολύ πιθανό η ηχητική απεικόνιση να μην είναι καλή και τα μπάσα να είναι περιορισμένα.

Διπλοκαλωδίωση (υποδοχές Speakon και απλοί ακροδέκτες)

Για να συνδέσετε τα καλώδια στις υποδοχές Speakon, αποσυναρμολογήστε το βύσμα Speakon, με τον τρόπο που φαίνεται στην Εικόνα-5a, συνδέστε ένα ζεύγος θετικού και αρνητικού πόλου του καλωδίου στους ακροδέκτες με τις ενδείξεις +1 και -1, και ένα δεύτερο ζεύγος θετικού και αρνητικού πόλου του καλωδίου στους ακροδέκτες με τις ενδείξεις +2 και -2. Βεβαιωθείτε ότι τα θετικά καλώδια είναι συνδεδεμένα στους ακροδέκτες με την ένδειξη "+", και τα αρνητικά στους ακροδέκτες με την ένδειξη "-". Αν δεν τηρήσετε τη σωστή πολικότητα στις συνδέσεις, είναι πολύ πιθανό η ηχητική απεικόνιση να μην είναι καλή και τα μπάσα να είναι περιορισμένα. Συναρμολογήστε πάλι το βύσμα, τοποθετήστε το στην υποδοχή, και ασφαλίστε το στρέφοντας προς τη φορά των δεικτών του ρολογιού.

Για να συνδέσετε τα καλώδια στους απλούς ακροδέκτες, αφαιρέστε ένα μικρό τμήμα από την πλαστική μόνωση του κάθε καλωδίου, συνδέστε ένα ζεύγος θετικού και αρνητικού πόλου του καλωδίου στους ακροδέκτες με την ένδειξη LF, και ένα δεύτερο ζεύγος θετικού και αρνητικού πόλου του καλωδίου στους ακροδέκτες με την ένδειξη HF. Συνδέστε τα θετικά καλώδια στους κόκκινους ακροδέκτες, και τα αρνητικά στους μαύρους, όπως φαίνεται και στην Εικόνα 5b. Αν δεν τηρήσετε τη σωστή πολικότητα στις συνδέσεις, είναι πολύ πιθανό η ηχητική απεικόνιση να μην είναι καλή και τα μπάσα να είναι περιορισμένα. Συναρμολογήστε πάλι το βύσμα, τοποθετήστε το στην υποδοχή, και ασφαλίστε το στρέφοντας προς τη φορά των δεικτών του ρολογιού.

Συμβουλευτείτε το κατάστημα από όπου αγοράσατε τα ηχεία σχετικά με τα καλώδια που πρέπει να χρησιμοποιήσετε. Καλό είναι, η συνολική αντίσταση των καλωδίων να είναι χαμηλότερη από τη μέγιστη τιμή που αναφέρεται στα τεχνικά χαρακτηριστικά. Χρησιμοποιήστε καλώδια χαμηλής επαγωγής για να αποφύγετε την μείωση των υψηλών συχνοτήτων.

Ο τίτλος Neutrik® και τα ονόματα των προϊόντων της Neutrik® που αναφέρονται σε αυτό το φυλλάδιο είναι εμπορικά σήματα της Neutrik®.

Τελικές ρυθμίσεις

Πριν κάνετε τις τελικές ρυθμίσεις ελέγξτε πάλι όλες τις συνδέσεις του συστήματος και βεβαιωθείτε ότι έχουν γίνει σωστά και είναι ασφαλείς.

Αν ο ήχος είναι υπερβολικά τραχύς, τοποθετήστε περισσότερα μαλακά (απορροφητικά) έπιπλα στο χώρο ακρόασης (για παράδειγμα μπορείτε να χρησιμοποιήσετε πιο χοντρές κουρτίνες). Αντίστοιχα, αν ο ήχος είναι μουντός, ελαττώστε τις απορροφητικές επιφάνειες στο χώρο.

Ελέγξτε την ηχώ, χτυπώντας τα χέρια σας και ακούγοντας τις γρήγορες επαναλήψεις του ήχου. Αν το φαινόμενο είναι έντονο, μπορείτε να το περιορίσετε τοποθετώντας στο χώρο ασύμμετρες επιφάνειες (π.χ. ράφια, βιβλιοθήκες κ.λπ.) και μεγάλα έπιπλα.

Περίοδος προσαρμογής

Η απόδοση των ηχείων θα βελτιωθεί αισθητά κατά την αρχική περίοδο λειτουργίας τους. Εάν τα ηχεία ήταν αποθηκευμένα σε κρύο περιβάλλον, τα μονωτικά υλικά και τα συστήματα ανάρτησης των μεγαφώνων θα χρειαστούν κάποιο χρόνο για να ανακτήσουν τις πραγματικές τους ιδιότητες. Ο χρόνος που χρειάζεται κάθε ηχείο για να αποδώσει σύμφωνα με τις δυνατότητές του εξαρτάται από τις συνθήκες στις οποίες ήταν αποθηκευμένο και από τον τρόπο που χρησιμοποιείται. Η προσαρμογή των ηχείων στη θερμοκρασία του περιβάλλοντος μπορεί να χρειαστεί έως και μία εβδομάδα, ενώ τα μηχανικά του μέρη θέλουν γύρω στις 15 ώρες κανονικής χρήσης για να αποκτήσουν τα χαρακτηριστικά με τα οποία έχουν σχεδιαστεί.

Ωστόσο, έχουν αναφερθεί και μεγαλύτερες περίοδοι προσαρμογής (μέχρι και ένας μήνας), αλλά είναι πολύ πιθανό να έχουν σχέση με το χρόνο που χρειάζεται ο ακροατής για να συνηθίσει το νέο ήχο, και όχι με πραγματική αλλαγή στην απόδοση των ηχείων. Τα ηχεία νέας τεχνολογίας όπως τα CT8.2 αποδίδουν πολύ λεπτομερέστερο ήχο από ότι ενδεχομένως έχουν συνηθίσει κάποιο ακροατής, και ίσως αυτό τα κάνει να ακούγονται στην αρχή λίγο έντονα και ίσως "σκληρά". Μετά από κάποιο διάστημα, ο ήχος θα "απαλύνει" αλλά η διαύγεια του θα παραμείνει η ίδια.

Φροντίδα των ηχείων

Κανονικά, ο μόνος καθαρισμός που απαιτεί το φινιρίσμα των ηχείων είναι ένα ξεσκόνισμα. Εάν θέλετε να χρησιμοποιήσετε κάποιο καθαριστικό με τη μορφή σπρέι, θα πρέπει πρώτα να αφαιρέσετε τα εμπρόσθια προστατευτικά καλύμματα των ηχείων τραβώντας το ελαφρά από τη καμπίνα. Ρίξτε το καθαριστικό στο πανί με το οποίο θα καθαρίσετε το ηχείο και όχι κατευθείαν επάνω στην καμπίνα. Δοκιμάστε πρώτα το καθαριστικό σε μία μικρή επιφάνεια της καμπίνας. Μην χρησιμοποιείτε ισχυρά καθαριστικά, ή καθαριστικά με οξέα, άλατα ή αντιβακτηριδιακά στοιχεία. Μην χρησιμοποιείτε καθαριστικά στα μεγάφωνα. Το ύφασμα της προστατευτικής στήτας καθαρίζεται - αφού την αφαιρέσετε από το ηχείο - με μία απλή βούρτσα ρούχων.

Αποφύγετε να αγγίζετε τα μεγάφωνα και κυρίως το μεγάφωνο υψηλών συχνοτήτων (tweeter), γιατί μπορεί να προκληθεί ζημία.

Περιορισμένη εγγύηση

Το προϊόν που αγοράσατε έχει σχεδιαστεί και κατασκευαστεί με τις υψηλότερες προδιαγραφές ποιότητας. Ωστόσο, αν συναντήσετε το παραμικρό πρόβλημα με τη λειτουργία του, η B&W Group Ltd. και οι αντιπρόσωποι της σε όλες τις χώρες σας παρέχουν εγγύηση για δωρεάν επισκευή (με την πιθανότητα κάποιων εξαιρέσεων) και αντικατάσταση εξαρτημάτων, σε όλες τις χώρες που υπάρχει επίσημος αντιπρόσωπος της B&W. Η περιορισμένη αυτή εγγύηση ισχύει για περίοδο πέντε ετών από την ημερομηνία αγοράς του προϊόντος, ή δύο ετών αν πρόκειται για αυτοεπισκευόμενα ηχεία που περιλαμβάνουν ηλεκτρονικά εξαρτήματα.

Όροι της εγγύησης

1. Η εγγύηση καλύπτει μόνο την επισκευή των προϊόντων. Δεν καλύπτει τα έξοδα αποστολής ή οποιαδήποτε άλλα έξοδα, ούτε και ενδεχόμενους κινδύνους που μπορεί να προκύψουν από την απεγκατάσταση, τη μεταφορά και την εγκατάσταση των προϊόντων.
2. Η παρούσα εγγύηση ισχύει μόνο για τον αρχικό ιδιοκτήτη του προϊόντος, και δεν μπορεί να μεταβιβαστεί.
3. Η παρούσα εγγύηση δεν ισχύει για περιπτώσεις άλλες από αυτές που περιλαμβάνουν ελαττωματικά υλικά ή/και ανθρώπινο σφάλμα κατά τη στιγμή της αγοράς του προϊόντος. Η παρούσα εγγύηση δεν ισχύει στις εξής περιπτώσεις:
 - a. Για ζημιές που προέκυψαν από λανθασμένη εγκατάσταση, σύνδεση ή συσκευασία.
 - b. Για ζημιές που προέκυψαν από χρήση διαφορετική από αυτή που περιγράφεται στο εγχειρίδιο οδηγιών, από αμέλεια, μετατροπές, ή χρήση εξαρτημάτων που δεν είναι κατασκευασμένα ή εγκεκριμένα από την B&W.
 - c. Για ζημιές που οφείλονται σε ελαττωματικές ή ακατάλληλες τρίτες συσκευές.
 - d. Για ζημιές που οφείλονται σε ατύχημα, κεραυνό, νερό, φωτιά, υψηλές θερμοκρασίες, κοινωνικές αναταραχές, ή σε οποιαδήποτε άλλη αιτία που δεν σχετίζεται και δεν ελέγχεται από την B&W.
 - e. Για προϊόντα των οποίων ο αριθμός σειράς έχει αλλάξει, διαγραφεί, αφαιρεθεί ή έχει γίνει δυσανάγνωστος.
 - f. Αν έχουν γίνει επισκευές ή τροποποιήσεις από μη εξουσιοδοτημένα πρόσωπα (δηλαδή από πρόσωπα που δεν έχουν την επίσημη έγκριση της B&W για να εκτελέσουν τις άνω εργασίες).
4. Η παρούσα εγγύηση ισχύει συμπληρωματικά σε οποιοσδήποτε εθνικές ή τοπικές νομικές υποχρεώσεις των πωλητών ή των εθνικών αντιπροσώπων, και δεν επηρεάζει τα νομικά δικαιώματα που έχετε ως πελάτης.

Πώς να απαιτήσετε επισκευή στα πλαίσια της εγγύησης

Αν το προϊόν που αγοράσατε χρειαστεί επισκευή, ακολουθήστε την πιο κάτω διαδικασία:

1. Αν το προϊόν χρησιμοποιείται στη χώρα που αγοράστηκε, επικοινωνήστε με την αντιπροσωπεία της B&W ή με το κατάστημα από όπου το αγοράσατε.
2. Αν το προϊόν χρησιμοποιείται σε διαφορετική χώρα από αυτήν που αγοράστηκε, θα πρέπει να επικοινωνήσετε με την αντιπροσωπεία της B&W στη χώρα αυτή, από όπου και θα πληροφορηθείτε πού μπορεί να γίνει η επισκευή του προϊόντος. Μπορείτε να τηλεφωνήσετε στα κεντρικά γραφεία της B&W, στο Ηνωμένο Βασίλειο (+44 1903 221 500), ή να επισκεφτείτε την ιστοσελίδα μας (www.bwspeakers.com), για να μάθετε τα στοιχεία των κατά τόπους αντιπροσώπων της B&W.

Για να επικυρώσετε την εγγύηση θα πρέπει να συμπληρώσετε το σχετικό φυλλάδιο και να το στείλετε στην αντιπροσωπεία της B&W, σφραγισμένο από το κατάστημα από όπου αγοράσατε το προϊόν.

Русский Руководство по эксплуатации

Уважаемый покупатель,

Спасибо, что вы выбрали Bowers & Wilkins. Пожалуйста, прочтите эту Инструкцию внимательно перед распаковкой и установкой продукта. Это поможет вам оптимизировать его характеристики. B&W имеет сеть специализированных дистрибьюторов более, чем в 60 странах, и они смогут помочь вам при возникновении любых проблем, с которыми не справились дилеры.

Информация по защите окружающей среды



Продукты B&W созданы в полном соответствии с международными директивами по ограничению использования опасных материалов (Restriction of Hazardous Substances – RoHS) в электрическом и электронном оборудовании, а также по его утилизации (Waste Electrical and Electronic Equipment – WEEE). Знак перечеркнутого мусорного бака означает соответствие директивам и то, что продукт должен быть правильно утилизирован или переработан. Проконсультируйтесь с вашей местной организацией, которая занимается утилизацией отходов, по вопросам правильной сдачи вашего оборудования в утиль.

Содержание упаковки

Проверьте комплектацию:

- 1 штекер Speakon
- 2 x опорных кронштейна
- 4 x M6 болта
- 2 x поролоновых заглушки
- 2 x прокладки для передней панели
- 1 x прокладка для внутренней панели
- 1 x 5мм шестигранный ключ

Установка колонок

Акустическая система ST8.2 предназначена для использования в домашних театрах в роли центральной или фронтальной колонки. При работе в роли центрального канала она может быть установлена либо в стандартном вертикальном положении, либо в горизонтальном, но при этом потребуются поменять местами ее СЧ/ВЧ модуль и модуль верхнебасового драйвера. Процедура реконфигурации ST8.2 для работы горизонтально ориентированной центральной колонкой описана ниже в одном из разделов этой инструкции.

ST8.2 предназначена для напольной установки или для встраивания в заказную мебель. Для фиксации колонки к ней прилагаются опорные кронштейны. Их конструкция предотвращает опрокидывание ST8.2 вперед при установке на пол, на шкаф или другую плоскую опорную поверхность. Опорные кронштейны крепятся к задней панели ST8.2 с помощью болтов M6 и отверстий с соответствующей резьбой. Используя прилагаемые болты M6, надежно прикрепите опорные кронштейны к задней панели ST8.2. Скобы должны быть зафиксированы так, чтобы их плоская поверхность легла на пол. После этого можно использовать продолговатое отверстие в основании скобы, чтобы прикрепить ее к напольному покрытию. Подберите соответствующий шуруп и завинтите его в пол, если это необходимо. На Рис. 1 показано, как использовать опорные кронштейны.

Независимо от способа установки, будьте осторожны при подъеме колонки на место. Она очень неудобная и тяжелая, поэтому лучше устанавливать ее на место вдвоем. B&W не несет ответственности за любые повреждения стен, напольных покрытий, мебели и/или крепежа.

Размещение акустических систем

При использовании ST8.2 в качестве фронтальных в системе домашнего театра, их нужно установить на пол или встроить в мебель по обеим сторонам экрана. Они должны быть расположены на расстоянии приблизительно по 0.5 м (20 in) от каждой из сторон экрана, для того чтобы звуковой образ совпал по масштабу с визуальным. См. Рис. 2.

Если ST8.2 играет роль центральной колонки в системе домашнего театра, она должна быть расположена горизонтально по центру сверху или же снизу экрана. В случае акустически прозрачного экрана, ее следует подвесить за центром экрана. Но в таком случае для ST8.2 вполне подойдет и стандартное вертикальное расположение. См. Рис. 2.

Конфигурация ST8.2 для горизонтальной установки в роли центрального канала

ST8.2 может быть реконфигурирована для работы в горизонтальном положении, благодаря возможности перестановки местами ее СЧ/ВЧ модуля и модуля верхнебасового драйвера. Кроме этого, модуль СЧ/ВЧ-динамик должен быть повернут на 90 градусов. Процедура реконфигурации описывается ниже и поясняется рисунками.

Вам потребуются шестигранные ключи на M5 и M4, а также место, достаточное для того, чтобы повалить колонку на заднюю сторону и орудовать вокруг нее. Рекомендуется делать эту работу вдвоем, с помощником. Будьте предельно осторожны во время этой процедуры. Динамики колонок – это чрезвычайно нежные и прецизионные компоненты, которые можно повредить при неправильном обращении. Поэтому мы рекомендуем использовать защитную крышку для твитера в течение всей процедуры.

Шаг 1 (Рис. 3а)

Пока колонка стоит вертикально, отверните и удалите четыре болта M5, крепящих модуль СЧ/ВЧ-динамик к корпусу. Придержите модуль одной

рукой во время отворачивания последнего болта, чтобы предотвратить его выпадение. Положите гайки, прокладки и лицевую пластину в одну сторону.

Шаг 2 (Рис. 3а)

Модуль может выпасть вперед, как только вы уберете руку. Если это так, его можно аккуратно вынуть из корпуса. Если он не выходит сам, возможно, вам потребуется слегка наклонить корпус вперед, чтобы высвободить модуль и захватить его. Держите обязательно руку на модуле, когда наклоняете колонку.

Шаг 3 (Рис. 3б)

Когда модуль СЧ/ВЧ-динамик вынут из корпуса, за ним потянутся соединительные кабели. Проходные разъемы, находящиеся посередине кабеля, следует отсоединить. Пока ваш помощник держит модуль динамиком, возьмитесь за противоположные концы разъемов и рассоедините их.

Шаг 4 (Рис. 3б)

Когда модуль СЧ/ВЧ-динамик отсоединен, его можно полностью вынуть из корпуса и отложить в сторону. Демпфирующую подкладку с тыльной стороны модуля следует также снять и отложить в сторону. Уплотнительную прокладку модуля СЧ/ВЧ-динамик необходимо снять и выкинуть.

Шаг 5 (Рис. 3с)

Теперь нужно осторожно повалить колонку на заднюю сторону, чтобы снять модуль верхнебасового драйвера. Отвинтите четыре болта М5, удерживающих модуль басовых динамиком в корпусе. Отложите болты и прокладки в сторону.

Шаг 6 (Рис. 3с)

Чтобы высвободить модуль басовых динамиком, на него надо надавить сзади. Для получения доступа к тыльной стороне этого модуля, необходимо сначала удалить съемную панель позади модуля СЧ/ВЧ-динамиком. Отвинтите и снимите восемь болтов М4, крепящих панель, и пропихните ее через отверстие. Удалите и выкиньте прокладку. Отложите болты в сторону. Просуньте руку через образовавшееся отверстие, чтобы добраться до задней стороны модуля басовых динамиком и осторожно надавите на него вверх.

Шаг 7 (Рис. 3д)

Как только модуль басовых динамиком выйдет слегка из корпуса, его можно будет захватить и поднять. Записав ориентацию цветных кабелей, отсоедините провода от динамиком, потянув за контактные лопатки. Отложите модуль басового драйвера в сторону. Демпфирующую подкладку с тыльной стороны модуля следует также снять и отложить в сторону. Уплотнительную прокладку модуля басового драйвера необходимо снять и выкинуть.

Шаг 8 (Рис. 3е)

Теперь необходимо поменять местами кабели, подходящие к модулю СЧ/ВЧ-динамиком и к модулю басового драйвера. Пропустите СЧ/ВЧ кабели вместе с присоединенной к ним внутренней панелью через корпус к тому месту, где ранее был модуль басовых динамиком. Затем пропустите кабели басовых динамиком к месту, освобожденному модулем СЧ/ВЧ-динамиком.

Шаг 9 (Рис. 3ф)

Установите и закрепите внутреннюю панель по новому месту размещения СЧ/ВЧ-динамиком, используя новую прокладку и восемь болтов М4. Затяните болты с усилием 1.70Нм. Обратите внимание на то, чтобы подкладка не попала в зазор при затягивании болтов панели.

Шаг 10 (Рис. 3г)

Замените подкладку в полости модуля СЧ/ВЧ-динамиком и установите новую прокладку на место его сопряжения с корпусом. Возьмите модуль СЧ/ВЧ-динамиком, подсоедините его проходные разъемы и установите в корпус, повернув на 90°, так чтобы твитер находился рядом с одной из граней. Установите лицевую пластину и нажмите четыре винта М5 с прокладками. Затяните эти винты с усилием 1.70Нм.

Примечание: Обычно не играет роли, к какой стороне корпуса примыкает твитер (т.е. как повернут модуль СЧ/ВЧ-динамиком – на 90° по часовой стрелке или против нее).

Шаг 11 (Рис. 3h)

Замените подкладку в полости басового модуля и установите новую прокладку на место его сопряжения с корпусом. Возьмите басовый модуль, подсоедините обратно кабели к динамикам и установите его в корпус. Вставьте болты М5 и прокладку, и затяните их с усилием 1.70Нм. Вот теперь реконструированная СТ8.2 готова к использованию в роли горизонтально ориентированной колонки центрального канала.

Примечание: Потенциально имеется возможность перепутать полярность басовых динамиком при их подключении. Для проверки полярности включения басовых динамиком после подключения, подсоедините на короткое время батарейку на 1.5В к входным басовым разъемам, плюс к плюсу и минус к минусу. При этом оба диффузора должны двинуться наружу.

Рассеянное магнитное поле

Динамики колонок создают магнитное поле, выходящее за их пределы. Мы рекомендуем держать магниточувствительные предметы (кинескопные телевизоры, дисплеи, диски, магнитные аудио и видеокассеты, карточки и т.п.) на расстоянии минимум 0.5 м от колонок. Жидкокристаллические (LCD) и плазменные экраны не подвержены воздействию магнитных полей.

Подсоединение

Все подключения делаются только при выключенном оборудовании.

У СТ8.2 имеются две пары обычных клемм, а также один разъем Neutrik® Speakon на задней панели. Зажимные клеммы обеспечивают быстрое и надежное соединение зачищенных концов кабеля, а гнезда Speakon – более надежное и безопасное соединение. Как Speakon, так и клеммы дают возможность подключить колонки методом би-ваеринга (двухпроводного соединения).

Для подсоединения колонок обычным способом (одним акустическим кабелем) с использованием разъемов Speakon, вставьте короткие отрезки зачищенного от изоляции кабеля в прорезь каждой из колоночных клемм, и затяните винтовую головку, затем разберите вилку Speakon, как показано на Рис. 4а, и подсоедините положительный конец кабеля к разъему, маркированному +1, а отрицательный конец – к разъему, маркированному -1. Неверное подсоединение может привести к утрате басов и ухудшению звукового образа. После того, как вы вновь соберете вилку разъема Speakon, ее можно будет вставить в розетку и зафиксировать, повернув по часовой стрелке.

Для соединения колонок обычным способом с помощью зажимных клемм, вставьте короткий конец зачищенного кабеля в отверстие клеммы и затяните зажимной винт. Подсоедините плюсовой конец кабеля к красной клемме, а минусовой к черной, как показано на Рис. 4б. Неверное подключение приведет к искажению звукового образа и утере басов.

Подсоединение колонок методом bi-wire с использованием либо клемм, либо гнезд Speakon

Если вы используете разъемы Speakon, разберите разъем Speakon, как показано на Рис. 5а и подсоедините одну пару плюсовых и минусовых концов кабеля к контактам, обозначенным +1 и -1, а вторую пару плюсовых и минусовых концов – к контактам, обозначенным +2 и -2.

Убедитесь, что плюсовые концы кабелей подсоединены к «+» контактам, а минусовые концы подсоединены к «-» контактам. Неверное подключение приведет к искажению звукового образа и утере басов. После того, как разъем будет вновь собран, его можно будет вставить в гнездо и зафиксировать, повернув по часовой стрелке.

Если используется соединение колонок способом би-ваеринга с помощью зажимных клемм, подсоедините одну пару плюсовых и минусовых концов кабеля к клеммам с обозначением LF, а вторую пару плюсовых и минусовых концов кабеля к клеммам с обозначением HF. Убедитесь, что плюсовые концы кабелей подсоединены к красным клеммам, а минусовые концы подсоединены к черным клеммам, как показано на Рис. 5б. Неверное подключение приведет к искажению звукового образа и утере басов.

Попросите вашего дилера порекомендовать кабель. Старайтесь, чтобы его импеданс был ниже максимально допустимого в спецификации, а индуктивность тоже была низкой, чтобы не ослабить высокие частоты.

Neutrik® и наименования продуктов Neutrik®, упоминаемые в тексте, это либо торговые марки, либо торговые/сервисные марки Neutrik®.

Тонкая настройка

Перед окончательной точной настройкой убедитесь, что все подключено правильно и надежно.

Если звук слишком резкий («яркий»), добавьте мягкой мебели в комнату (например, повесьте тяжелые шторы), или наоборот – уберите их, если звук глухой и безжизненный.

Акустика некоторых комнат страдает от эффекта эхо, вызванного многочисленными отражениями звука от параллельных стен. Такое эхо способно исказить (окрасить) звучание колонок в помещении. Проверьте помещение на эхо, встав посреди комнаты, ударив в ладоши и прислушиваясь к быстрым отзвукам. Их можно уменьшить за счет использования нерегулярных поверхностей, таких как книжные полки или крупногабаритная мебель вдоль подозрительных на отражение стен.

Прогрев и приработка

Звучание АС слегка меняется в течение начального периода прослушивания. Если колонка хранилась в холодном помещении, то для демпфирующих материалов и подвеса динамиком потребуется некоторое время на восстановление механических свойств. Подвес диффузора также слегка снижает свою жесткость в течение первых часов работы. Время, которое потребуется АС для полного выхода на расчетные характеристики зависит от условия хранения и интенсивности использования. Как правило, потребуется неделя на устранения температурных эффектов и около 15 часов на достижение механическими частями желаемых характеристик.

К нам иногда поступают отзывы, что необходим более длительный период приработки (например, месяц), однако это, как правило, не имеет отношения к изменениям в свойствах АС, а скорее всего связано с привыканием слушателя к новому для него звучанию. Это прежде всего относится к колонкам с высокой разрешающей способностью, где слушателю может открыться значительно большее количество деталей, чем то, к которому он ранее привык; звучание поначалу может показаться речесур «выпаченным» и немного трудным для восприятия. Однако после более или менее продолжительного времени вам покажется, что звук стал мягче и приятнее, но без какой-нибудь утери ясности и детальности.

УХОД ЗА КОЛОНКАМИ

Обычно корпуса колонок не требуют ничего, кроме очистки от пыли. Если же вы захотите использовать антистатик-аэрозоль для чистки, то сначала удалите защитную решетку, осторожно потянув ее за рамку. Распыляйте аэрозоль на протирающую ткань, а не на корпус. Проверьте действие аэрозоля сначала на небольшом участке поверхности, т.к. некоторые вещества могут вызвать изменение окраски. Избегайте абразивных,

кислотных, щелочных или антибактериальных веществ. Избегайте попадания моющих веществ на ткань защитной решетки, т.к. на ней могут остаться пятна. Ткань решеток можно чистить обычной одежной щеткой или же насадкой для пылесоса. Избегайте касания диффузоров динамиков, особенно твиттеров, т.к. это может привести к их повреждению.

Ограниченная гарантия

Данное изделие было разработано и произведено в соответствии с высочайшими стандартами качества. Однако, при обнаружении какой-либо неисправности, компания B&W Group Ltd. и её национальные дистрибьюторы гарантируют бесплатный ремонт (существуют некоторые исключения) и замену частей в любой стране, обслуживаемой официальным дистрибьютором компании B&W.

Данная ограниченная гарантия действительна на период одного года со дня приобретения изделия конечным потребителем.

Условия гарантии

- 1 Данная гарантия ограничивается починкой оборудования. Затраты по перевозке и любые другие затраты, а также риск при отключении, перевозке и инсталлировании изделий не покрываются данной гарантией.
- 2 Действие данной гарантии распространяется только на первоначального владельца. Гарантия не может быть передана другому лицу.
- 3 Данная гарантия распространяется только на те неисправности, которые вызваны дефектными материалами и/или дефектами при производстве на момент приобретения и не распространяется:
 - a. на повреждения, вызванные неправильной инсталляцией, подсоединением или упаковкой,
 - b. на повреждения, вызванные использованием, не соответствующим описанному в руководстве по применению, а также неправильным обращением, модифицированием или использованием запасных частей, не произведённых или не одобренных компанией B&W,
 - v. на повреждения, вызванные неисправным или неподходящим вспомогательным оборудованием,
 - г. на повреждения, вызванные несчастными случаями, молнией, водой, пожаром, войной, публичными беспорядками или же любыми другими факторами, не подпадающими под контроль компании B&W и её официальных дистрибьюторов,
 - д. на изделия, серийный номер которых был изменён, уничтожен или сделан неузнаваемым,
 - e. на изделия, починка или модификация которых производились лицом, не уполномоченным компанией B&W.
- 4 Данная гарантия является дополнением к национальным/региональным законодательствам, которым подчиняются дилеры или национальные дистрибьюторы, то есть при возникновении противоречий, национальные/региональные законодательства имеют приоритетную силу. Данная гарантия не нарушает Ваших прав потребителя.

Куда обратиться за гарантийным обслуживанием

При необходимости получения гарантийного обслуживания, выполните следующие шаги:

- 1 Если оборудование используется в стране приобретения, Вам необходимо связаться с уполномоченным дилером компании B&W, у которого было приобретено оборудование.
- 2 Если оборудование используется за пределами страны приобретения, Вам необходимо связаться с национальным дистрибьютором компании B&W в данной стране, который посоветует Вам, где можно починить оборудование. Вы можете позвонить в компанию B&W в Великобритании или же посетить наш вебсайт, чтобы узнать контактный адрес Вашего местного дистрибьютора.

Для предъявления любых претензий в рамках гарантийных обязательств, необходимо предъявить оригинал чека на покупку или любое другое свидетельство владения с датой покупки.

Česky

Návod k použití

Vážený zákazníku,

děkujeme vám, že jste si zvolili reprosoustavy firmy Bowers & Wilkins. Před jejich vybalením a instalací si prosím napřed přečtete celý tento manuál. Pomůže vám to docílit toho nejlepšího výsledného zvuku. Firma B&W vytvořila ve více než 60ti zemích síť svých distributorů, kteří vám mohou pomoci v případech, kdy problém nemůže vyřešit váš prodejce.

Informace k životnímu prostředí



Produkty B&W jsou konstruovány tak, aby byly zcela v souladu s mezinárodními předpisy upravujícími použití nebezpečných materiálů v elektrických a elektronických zařízeních (RoHS) a aby umožňovaly ekologickou likvidaci opotřebených elektrických a elektronických zařízení (WEEE). Symbol přeškrtnuté popelnice pak značí soulad s nařízeními na recyklovatelnost výrobku, či možnost jiného zpracování, požadovaného příslušnými předpisy. V případě nejasností jak naložit s výrobky určenými k likvidaci se prosím obraťte na místně příslušný orgán státní správy, nebo na vašeho prodejce.

Obsah balení

Zkontrolujte, zda karton obsahuje:

- 1 konektor typu Speakon
- 2 x Podlahovou základnu
- 4 x Šroub M6
- 2 x Pěnovou záslepku
- 2 x Těsnění přední ozvučnice
- 1 x Těsnění vnitřního panelu
- 1 x 5mm klíč

Instalace reprosoustav

Reprosoustavy CT8.2 jsou konstruovány pro použití na pozici předních kanálů či centru v systému domácího kina.

Jako centr lze reprosoustavu použít v klasické vertikální orientaci (na výšku), nebo ji překonfigurovat pro horizontální (na šířku), pomocí přehození pozice středovýškového modulu a modulu s vyšším basovým reproduktorem.

Překonfigurování CT8.2 pro horizontální centr je popsáno v další části tohoto návodu.

Reprosoustavy CT8.2 lze umístit přímo na podlahu, nebo do na zakázku vyrobeného nábytkového obložení. Pro stabilní umístění jsou s reprosoustavou dodávány podlahové základny. Tyto základny jsou navrženy tak, aby zabraňovaly překlopení reprosoustav dopředu, při jejich umístění na podlahu, regál či jiný rovný povrch. Základna pro umístění na podlahu se připevňuje k zadní stěně CT8.2 pomocí dvou závitových zděří M6. Dodávanými šrouby M6 připevníte podlahovou základnu pevně k zadnímu panelu reprosoustavy CT8.2. Základna by měla na podlahu dosedat pokud možno celou svou plochou částí. Samostatný otvor v základně slouží pro její případné připevnění k podlaze. Je-li takové připevnění požadováno, použijte adekvátní šrouby a hmoždinky. Obrázek 1 znázorňuje použití podlahové základny.

V závislosti na způsobu instalace buďte opatrní při zvedání reprosoustavy na její pozici. Reprosoustava je poměrně těžká a její zvedání je nejlépe provádět ve dvou lidech. Firma B&W nezodpovídá za žádné škody způsobené nesprávně provedenou instalací na stěnu, podlahu, či do nábytku.

Volba pozice reprosoustav

Používáte-li reprosoustavy řady CT8.2 pro přední kanály systému domácího kina, je jejich ideální umístění po stranách zobrazovače na podlahu či do na zakázku vyrobeného nábytkového obložení. Reprosoustavy by přitom neměly být dále, než zhruba 0,5m od krajů zobrazovače, aby zvukový projev korespondoval s velikostí obrazu. Prohlédněte si obrázek 2.

Při použití CT8.2 jako centru pro domácí kino, by měla být reprosoustava namontována v horizontální pozici těsně nad nebo pod zobrazovač, co nejbližše jeho středu. V případě, že je jako zobrazovač použito průzvučné projekční plátno, lze reprosoustavu umístit pod něj, co nejbližše středu obrazu. V takovém případě lze reprosoustavu CT8.2 ponechat v její vertikální orientaci. Prohlédněte si obrázek 2.

Konfigurace CT8.2 na šířku pro použití jako centr

CT8.2 lze překonfigurovat jako horizontálně (na šířku) orientovaný centr pomocí přehození pozice středovýškového modulu a modulu s vyšším basovým reproduktorem. Středovýškový modul musí být zároveň otočen o devadesát stupňů. Tato operace je popsána níže a ilustrována patřičnými obrázky.

Budete potřebovat M5 a M4 imbusový šroubovák a pracovní prostor pro položení reprosoustavy na bok. Je dobré si zajistit pomocníka a pracovat ve dvou. Při práci buďte velmi opatrní. Jednotlivé reproduktory použité v reprosoustavách jsou velmi precizní, ale křehké součásti, které mohou být při nesprávné manipulaci snadno poškozeny. Také proto doporučujeme během celé procedury chránit výškový reproduktor ochrannou krytkou.

Krok 1 (Obrázek 3a)

Zatímco je reprosoustava ve vzpřímené poloze, vyšroubujte a vyjměte čtyři šrouby M5 přidržující v ozvučnici středovýškový modul. Šrouby nenechávejte zasunuté v modulu, aby nedošlo k poškození. Jednou rukou modul přidržujte a šrouby, podložky i středící desku odložte stranou.

Krok 2 (Obrázek 3a)

Je možné, že když ruku z modulu trochu uvolníte, bude mít modul snahu se z ozvučnice vyklopit směrem dopředu. Pokud ano, můžete celý modul z ozvučnice

opatrně povysunout. Pokud modul sám nejeví snahu se z ozvučnice vyklopit, můžete mu pomoci mírným naklopením celé reprosoustavy směrem dopředu. Vždy je však třeba modul celou dobu rukou přidržovat, aby nedošlo k nějakému poškození.

Krok 3 (Obrázek 3b)

Když je středovýškový modul povysunut z ozvučnice, objeví se kabely, kterými je připojen. Nyní je třeba rozpojit in-line konektor umístěný zhruba v půli kabelu. Zatímco pomocník modul přidržuje, uchopte konektor a vysuňte jeho dvě části směrem od sebe.

Krok 4 (Obrázek 3b)

Je-li středovýškový modul odpojen, lze jej zcela vyjmout z ozvučnice a uložit stranou. Vyjmout a uložit stranou lze také vatový materiál nacházející se v ozvučnici za modulem. Těsnící materiál středovýškového modulu můžete odstranit a zlikvidovat.

Krok 5 (Obrázek 3c)

Nyní lze reprosoustavu opatrně položit na její zadní stěnu pro vyjmutí vyššího basového modulu. Vyšroubujte a vyjměte čtyři šrouby M5 přidržující basový modul v ozvučnici. Šrouby a podložky odložte stranou.

Krok 6 (Obrázek 3c)

Basový modul lze vyjmout zatlačením na jeho zadní stranu. Pro získání přístupu k zadní straně basového modulu je třeba demontovat z vnitřku ozvučnice panel, oddělující basový modul od prostoru pro středovýškový modul. Vyšroubujte a vyjměte osm šroubů M4 kterými je panel upevněn. Odstraňte a zlikvidujte těsnění, šrouby uložte stranou. Protáhněte ruku otvorem k zadní straně basového modulu a opatrně na něj zatlačte.

Krok 7 (Obrázek 3d)

Jakmile je basový modul trochu vytlačen nad ozvučnici, lze jej z ozvučnice vyzdvihnout. Je třeba lokalizovat barevně označená zakončení kabelů a jejich stažením z reproduktorových kontaktů odpojit basový reproduktor. Basový modul pak odložte stranou. Nyní je také možné vyjmout a odložit stranou vatový materiál, nacházející se v ozvučnici za basovým modulem. Těsnění basového modulu odstraňte a zlikvidujte.

Krok 8 (Obrázek 3e)

Kabely pro basový a středovýškový modul je třeba přehodit do jejich nových lokací. Kabely středovýškové sekce ved'te včetně připojeného vnitřního panelu k prostoru, ve kterém se dříve nacházel basový modul. Kabely od basového modulu ved'te ozvučnicí k místu, ve kterém se původně nacházel středovýškový modul.

Krok 9 (Obrázek 3f)

Usad'te vnitřní panel v nové pozici středovýškové sekce, použijte přitom nové těsnění a pak pomocí osmi šroubů M4 panel připevněte. Šrouby dotahujte silou 1.70Nm. Dejte pozor, aby při montáži panelu nedošlo k přichycení vatového tlumení.

Krok 10 (Obrázek 3g)

Vrat'te vatové tlumení do prostoru pro středovýškový modul a umístěte nové těsnění. Vezměte středovýškový modul, zapojte in-line konektor a umístěte modul do ozvučnice otočený o 90° tak, aby byl výškový reproduktor přilehlý k jednomu z bočních panelů ozvučnice. Usad'te středící desku a modul připevněte čtyřmi šrouby M5 včetně podložek. Šrouby dotahujte silou 1.70Nm.

Poznámka: Není důležité, ke které boční straně ozvučnice je výškový reproduktor směřován (tedy zda středovýškový modul otočíte o 90° po směru, nebo proti směru hodinových ručiček).

Krok 11 (Obrázek 3h)

Vrat'te do prostoru pro basový modul vatové tlumení a umístěte nové těsnění. Uchopte basový modul, připojte k němu zakončení kabelů a pak modul vložte do ozvučnice. Pomocí šroubů M5 s podložkami modul připevněte, přičemž šrouby dotahujte silou 1.70Nm. Tím je překonfigurace CT8.2 pro horizontální použití na pozici centru hotova.

Poznámka: Teoreticky je možné zapojit basový reproduktor se špatnou polaritou. Pro zkoušku správné polarity po přepojení lze použít 1,5V baterii. Baterii krátce zapojte na basové terminály vždy kladným pólem ke kladnému terminálu. Obě membrány by měly vykmitnout směrem dopředu.

Nežádoucí magnetické vyzařování

Reprosoustavy produkují stálé magnetické pole. Proto se nedoporučuje k nim umísťovat od vzdálenosti menší než 0.5m zařízení citlivá na magnetické vyzařování (např. klasické vakuové obrazovky TV přijímačů). LCD či plazmové zobrazovače nebývají na toto vyzařování citlivé.

Připojení

Veškerá připojování provádějte pouze tehdy, jsou-li všechny přístroje v systému vypnuty.

Reprosoustavy CT8.2 jsou na zadním panelu vybaveny dvěma páry šroubovacích terminálů a jedou zásuvkou Neutrik® typu Speakon. Šroubovací terminály dovolují snadné a rychlé klasické připojení odizolovaného kabelu, zatímco Speakon je mnohem bezpečnější a trvanlivější metodou připojení.

Jak Speakon, tak i šroubovací terminály umožňují také zapojení reprosoustav systémem Bi-Wire.

Pro klasické single-wire připojení reprosoustav pomocí konektoru Speakon, spojte mezi sebou oba kladné a oba záporné šroubovací terminály (vždy jen kladný s kladným, negativní s negativním) tak, že jejich tělem prostrčíte krátký kousek kabelu a dotáhněte matice. Pak rozeberte konektor Speakon a připojte na místo označené +1 kladný vodič a k místu označené -1 vodič negativní. Zapojení je znázorněno na obrázku 4a. Nesprávné zapojení může mít za následek špatné prostorové zobrazení a úbytek basů. Speakon konektor po jeho opětovném

smontování zasuňte do zdířky a zajistěte pootočením ve směru hodinových ručiček.

Pro klasické single-wire zapojení pomocí šroubovacích terminálů, prostrčte krátkou odizolovanou část konce kabelu tělem každého terminálu a dotáhněte terminálovou matici. Připojujte vždy kladný vodič k oběma červeně označeným terminálům a záporný k černým, jak je znázorněno na obrázku 4b. Nesprávné zapojení může mít za následek špatný stereofonní obraz a úbytek basů.

Pro připojení reprosoustav systémem bi-wire pomocí všech šroubovacích terminálů, či zásuvky Speakon

Zvolíte-li pro připojení Speakon, rozmontujte Speakon konektor, jak je znázorněno na obrázku 5a a připojte jeden pár vodičů (složený z jednoho kladného a jednoho záporného) k terminálům označeným +1 a -1, další pár pak k terminálům značeným +2 a -2. Vždy dbejte, aby kladné vodiče byly připojeny k terminálům značeným + a záporné k terminálům značeným -. Nesprávné zapojení může mít za následek špatný stereofonní obraz a úbytek basů. Je-li konektor s připojenými kabely znovu smontován, zasuňte jej do zásuvky a zajistěte pootočením ve směru hodinových ručiček.

Zvolíte-li pro připojení šroubovací terminály, připojte jeden pár vodičů (složený z jednoho kladného a jednoho záporného) k terminálům označeným LF, další pár pak k terminálům značeným HF. Vždy dbejte, aby kladné vodiče byly připojeny k červeně označeným terminálům a záporné k terminálům černým, jak je znázorněno na obrázku 5b. Nesprávné zapojení může mít za následek špatný stereofonní obraz a úbytek basů.

V otázce výběru vhodného kabelu kontaktujte svého prodejce. Dbejte, aby jeho celková impedance nepřesahovala doporučené maximum a použijte kabel s nízkou induktancí, aby se nezhoršila reprodukce vyšších frekvencí.

Neutrik® a názvy Neutrik® produktů zde zmiňované, jsou ochrannými či spravovanými známkami firmy Neutrik®.

Finální doladění

Před konečným dolad'ováním znovu zkontrolujte, zda je veškeré zapojení provedeno správně a pevně.

Je-li zvuk příliš ostrý, zatlumte místnost například nějakým čalouněným nábytkem (pomohou také těžké závěsy), nebo naopak takový nábytek omezte v případě, že je zvuk mdlý a utlumený.

Některé místnosti mohou způsobovat dlouhé dozívání zvuku a ozvěnu tím, že se zvuk mezi jejich zdmi odráží a „tluče“. Otestujte dozívání zvuku tlesknutím dlaní a následným poslechem ozvěny. Ozvěnu lze redukovat vytvořením nepravidelností na protilehlých zdech či umístěním předmětů s neodrážejícím povrchem jako jsou například knihovny či obrazy.

Rozehrávání reprosoustav

Zvuk reprosoustav se během určité doby používání mírně mění. Zvláště pokud byly reprosoustavy skladovány v chladném prostředí, nabývají tlumící závěsy a některé prvky v reproduktorech teprve během provozu své správné mechanické vlastnosti.

Během prvních hodin provozu se jednotlivé části reproduktoru navzájem ideálně přizpůsobují. Délka tohoto procesu, během kterého reprosoustava postupně zvukově „vyzrává“ je velmi závislá na způsobu předchozího skladování a způsobu používání. Bývá pravidlem, že po zhruba týdnů teplotní stabilizace a asi 15 hodinách běžného provozu dosáhnou použité mechanické díly svých optimálních charakteristik.

Nicméně, i po delší době rozehrávání (i po jednom měsíci) dochází ke změnám v charakteru zvuku. Efekt rozehrávání je zvláště patrný právě u vysoce kvalitních reprosoustav. Zpočátku se zvuk může zdát příliš tvrdý a dopřednější, po rozehrání se ale předozadní prostor zvětší a zvuk je více plastický. Reprodukce je jakoby uvolněnější a hladší, aniž by se však snížila schopnost zobrazení detailů.

Údržba

Povrch ozvučnice obvykle vyžaduje jen občasné setření prachu. Pokud chcete použít aerosolový či jiný čistící prostředek, demontujte napřed krycí mřížky jemným tahem od ozvučnice. Sprej napřed nanášejte na utěrku, nikoli přímo na ozvučnici. Čistící prostředek vždy napřed vyzkoušejte na malé ploše, některé čistící prostředky by totiž mohly povrch reprosoustavy poškodit. Vyvarujte se produktů které obsahují brusiva, kyseliny či alkoholové, popř. antibakteriální složky. Žádná čisticidla nepoužívejte na samotné reproduktory. Látka použitá na krycích mřížkách může být čistěna klasickým kartáčem na šaty, napřed je však třeba ji demontovat od ozvučnice. Nikdy se nedotýkejte membrán reproduktorů, zvláště pak vysokotónového, mohli by jste je snadno poškodit.

Záruka

Výrobky firmy B&W jsou vyráběny tak, aby vyhověly všem požadavkům našeho náročného zákazníka. Nicméně, vznikne-li přesto nějaká závada, firma B&W Group Ltd. a její místní dovozce udělají vše potřebné, aby váš výrobek byl bezplatně (krom uvedených výjimek) opraven či uveden do řádného stavu.

Záruka běží po dobu 5 let a vztahuje se na neelektronické součásti výrobku. Dvouletá záruka je pak poskytována na veškeré elektronické součásti výrobků včetně zesilovačů aktivních reprosoustav.

Podmínky záruky

- 1 Záruka se vztahuje pouze na opravy výrobků. Nepokrývá přepravu reklamovaného výrobku do servisního střediska, manipulaci s ním a ani žádná rizika z přepravy a manipulace plynoucí.
- 2 Záruka platí pouze pro prvního kupce výrobku, při dalším prodeji se již nepřenáší.

- 3 Práva vyplývající ze záruky nebudou uznána v případě jiných závad než závad materiálu a dílenského zpracování a dále zejména v těchto případech:
- výrobky byly špatně nainstalovány, zapojeny nebo špatně uskladněny či zabaleny,
 - výrobky byly zapojeny či použity jinak než se uvádí v návodu k použití, byla zanedbána jejich údržba, byly modifikovány nebo byly použity jiné než originální náhradní díly,
 - výrobky byly používány společně s nevhodným zařízením,
 - výrobky byly poškozeny nehodou, bleskem, vodou, ohněm, válkou, veřejnými nepokoji nebo nějakou jinou okolností za kterou firma B&W Group Ltd. ani její místní dovozce nemohou nést odpovědnost,
 - výrobní číslo výrobků bylo změněno, smazáno, odstraněno nebo se stalo nečitelným,
 - výrobky byly opravovány neautorizovanou osobou.
- 4 Tato záruka doplňuje místní právní úpravu záruční doby dle té které země a neplatí v těch bodech, které jsou s místní právní úpravou v rozporu. To neplatí v případech, kdy tato záruka jde nad rámec místní úpravy.

Uplatnění záruky

Uplatňujete-li reklamaci, postupujte prosím dle následujících kroků:

- Reklamujete-li výrobek v zemi, ve které byl i zakoupen, kontaktujte autorizovaného prodejce výrobků B&W, kde jste výrobek zakoupili.
- Reklamujete-li výrobek v jiné zemi, než ve které byl zakoupen, kontaktujte dovozce, který servis zajistí. Příslušného dovozce zjistíte buď přímo telefonicky u firmy B&W nebo na jejich www stránkách.

Při uplatňování záruky se vždy prokazujte záručním listem, který musí být opatřen datem prodeje, razítkem a podpisem autorizovaného prodejce.

Polski

Instrukcja użytkownika

Drogi kliencie,

Điękujemy za nabycie produktu firmy Bowers & Wilkins. Przed rozpakowaniem i instalacją prosimy dokładnie zapoznać się z poniższą instrukcją obsługi. Pomoże to optymalnie wykorzystać możliwości produktu. B&W posiada sieć autoryzowanych dystrybutorów w ponad 65 krajach. Są oni w stanie pomóc w momencie wystąpienia jakiegokolwiek problemu, którego nie może rozwiązać sam sprzedawca.

Ochrona środowiska



Produkty firmy B&W są zaprojektowane zgodnie z międzynarodowymi dyrektywami RoHS (Ograniczenie stosowania niektórych niebezpiecznych substancji w sprzęcie elektrycznym i elektronicznym) i WEEE (Zużyty sprzęt elektryczny i elektroniczny). Przekreślony znaczek pojemnika na śmieci wskazuje wypełnianie tych dyrektyw oraz nakazuje odpowiednie przetwarzanie produktów, zgodnie z powyższymi dyrektywami. Skonsultuj się z lokalną firmą przetwórstwa odpadów w celu uzyskania informacji, w jaki sposób należy je utylizować.

Zawartość opakowania

Sprawdź, czy opakowanie zawiera:

- 1 wtyczkę
- 2 x stopka montażowa
- 4 x śruby M6
- 2 x gąbkowa zatyczka
- 2 x uszczelka obudowy
- 1 x uszczelka panelu
- 1 x 5mm klucz ampulowy

Instalacja głośnika

Głośnik CT8.2 został pomyślany jako do montowania w kinie domowym jako głośnik przedni lub centralny. Jako głośnik centralny, może być użyty zarówno pionowo, jak i poziomo poprzez odwrócenie pozycji głośnika wysokotonowego ze średniotonowym i górnego głośnika niskotonowego. Zmieniając konfigurację CT8.2 dla poziomego głośnika centralnego, zapoznaj się z informacjami znajdującymi się w dalszej części tej instrukcji.

CT8.2 został pomyślany do ustawienia na podłodze lub wmontowany w zabudowę. Klamra na nóżki są dostarczone w celu zapewnienia stabilności głośnika. Została ona zaprojektowana w taki sposób, żeby uniemożliwić głośnikowi przesuwanie się. Klamra jest dołączana do tylnej obudowy CT8.2 poprzez otwory M6. Używając śrub M6, bezpiecznie dołącz klamry do tyłu panelu. Klamry powinny być zabezpieczone w taki sposób, żeby ich płaska część spoczywała na podłodze. Pojedynczy płaski otwór może być użyty do dołączenia klamry do podłoża. Użyj odpowiedniej śruby i połącz, jeśli to konieczne. Rysunek 1 ilustruje użycie klamry na nóżki.

Bez względu na typ instalacji, zawsze zachowuj szczególną uwagę podczas stawiania głośnika. Jest on bowiem nieporęczny i ciężki i najlepiej zapewnić sobie pomoc drugiej osoby podczas ustawiania go. B&W nie bierze żadnej odpowiedzialności za uszkodzenia ścian, podłóg, ani mebli.

Pozycjonowanie głośników

Głośniki CT8.2 użyte jako głośniki przednie w systemach kina domowego powinny być umieszczone na podłodze lub stanowić część zabudowy po każdej ze stron ekranu. Powinny znajdować się około 0.5m od ekranu w celu zagwarantowania sceny dźwiękowej odpowiedniej dla wielkości ekranu. Patrz strona 2.

Głośnik CT8.2 użyty jako głośnik kanału centralnego w systemie kina domowego powinien być użyty w pozycji poziomej, a umieszczony pod lub nad telewizorem. W takim przypadku, standardowa konfiguracja CT8.2 może być odpowiednia. Patrz rysunek 2.

Centralna konfiguracja panoramiczna CT8.2

CT8.2 może być skonfigurowany tak, aby pracował w poziomie jako centralny głośnik poprzez zamienienie pozycji górnego modułu głośnika basowego oraz głośnika średnio/wysokotonowego. Moduł średnio/wysokotonowy musi być dodatkowo obrócony o 90 stopni. Procedura jest opisana poniżej i zilustrowane odpowiednimi rysunkami.

Będziesz potrzebował śrubokręta krzyżakowego M5 oraz M4 oraz miejsca, aby położyć głośnik na jego tylnej obudowie i móc swobodnie przy nim pracować. Zalecamy posiłkowanie się pomocą drugiej osoby. Bardzo uważaj podczas całej procedury. Jednostki głośnikowe umieszczone w kolumnie są niezwykle delikatne i mogą zostać łatwo uszkodzone przy nieodpowiednim obchodzeniu się z nimi. Polecamy zatem użycie osłony na głośnik wysokotonowy podczas całej procedury montażu.

Krok 1 (Rysunek 3a)

Z głośnikiem ustawionym pionowo, odkręć oraz zdejmij cztery śruby M5 przytrzymujące moduł głośnika średnio/wysokotonowego. Przytrzymaj moduł jedną ręką, aby wykluczyć prawdopodobieństwo jego upadku na podłogę. Włóż śruby, podkładki oraz pierścienie na jedną stronę.

Krok 2 (Rysunek 3a)

Moduł może wypaść, jeśli nie podtrzymasz go ręką. Gdy zacznie wypadać, może być lekko odciągnięty od obudowy. Jeśli tak się nie stanie, możesz potrzebować przechylić obudowę lekko do przodu, żeby móc łatwiej wysunąć moduł. Trzymaj rękę na module, gdy będziesz przechylał obudowę.

Krok 3 (Rysunek 3b)

Gdy moduł średnio/wysokotonowy jest wysunięty z obudowy, jego połączenia z przewodami zostaną zwolnione. Łącznik znajdujący się w połowie przewodów musi zostać rozłączony poprzez ściśnięcie i odciągnięcie go.

Krok 4 (Rysunek 3b)

Po rozłączeniu modułu głośnika średnio/wysokotonowego, może on być całkowicie odłączony z kolumny. Materiał tłumiący umieszczony z tyłu modułu również powinien być usunięty i przełożony w nowe miejsce. Uszczelnienia modułu głośnika średnio/wysokotonowego również powinny zostać usunięte.

Krok 5 (Rysunek 3c)

Kolumna powinna być teraz położona ostrożnie na jej tylnej ścianie w celu zdjecia górnego modułu basowego. Usuń cztery śruby M5 przytrzymujące moduł głośnika basowego do obudowy. Umieść śruby i podkładki z jednej strony.

Krok 6 (Rysunek 3c)

Wypchnij moduł głośnika basowego od tyłu, aby go wyciągnąć. W celu dostania się do tylnej części modułu, usuwalny panel w obudowie z tyłu modułu średnio/wysokotonowego musi zostać usunięty. Odkręć i zdejmij 8 śrub M4 przytrzymujących panel i wypchnij go przez otwór. Usuń uszczelnienie. Umieść śruby z jednej strony. Włóż rękę przez otwór, żeby dostać się do tylnej części modułu głośnika niskotonowego i ostrożnie popchnij go w górę.

Krok 7 (Rysunek 3d)

Po delikatnym popchnięciu modułu w górę z wnętrza obudowy, może on być usunięty. Po rozpoznaniu kolorowych oznaczeń przewodów, odłącz głośnik ściągając znaczniki z widłek połączeniowych. Umieść moduł głośnika z jednej strony. Materiał tłumiący również powinien zostać usunięty. Uszczelnienie modułu głośnika średniotonowego powinno zostać usunięte.

Krok 8 (Rysunek 3e)

Przewody do modułu głośnika niskotonowego oraz średnio/wysokotonowego mogą być teraz umieszczone w ich nowych lokalizacjach. Przeprowadź przewody średnio/niskotonowe, łącznie z dołączonym wewnętrznym panelem, przez obudowę do miejsca, w którym był głośnik niskotonowy. Przeprowadź przewody niskotonowe przez obudowę do miejsca, w którym był głośnik średnio/wysokotonowy.

Krok 9 (Rysunek 3f)

Umieść i ponownie zabezpiecz wewnętrzny panel w nowym obszarze średnio/niskotonowym obudowy przy użyciu nowego uszczelnienia i 8 śrub M4. Przykręć śruby o 1.70Nm. Uważaj, aby żaden materiał tłumiący nie został zablokowany podczas gdy panel jest przykręcany.

Krok 10 (Rysunek 3g)

Podmień tłumienie pod modułem średnio/wysokotonowy oraz umieść nowe uszczelnienie na powierzchni matującej obudowy. Weź moduł średnio/wysokotonowy, połącz ponownie łączenie przewodów i umieść moduł na obudowie obrócony o 90° tak, żeby głośnik wysokotonowy przylegał do jednej krawędzi. Dopasuj pierścieni i umieść ponownie cztery śruby M5 oraz podkładki. Dokręć śruby do 1.70Nm.

Uwaga: Nie jest istotne po której stronie obudowy umieszczony zostanie głośnik wysokotonowy (np. czy moduł średnio/wysokotonowy jest obrócony o 90° zgodnie z ruchem wskazówek zegara czy w kierunku przeciwnym).

Krok 11 (Rysunek 3h)

Umieść ponownie tłumienie w otworze modułu głośnika niskotonowego umieść nowe uszczelnienie na powierzchni matującej obudowy. Wyciągnij moduł głośnika niskotonowego, podłącz ponownie. Umieść ponownie śruby M5 oraz podkładki i przykręć je. CT8.2 ze zmienioną konfiguracją jest teraz gotowy do użycia jako głośnik poziomy centralny.

Uwaga: Istnieje możliwość podłączenia głośnika niskotonowego ze złą polaryzacją. Aby sprawdzić polaryzację głośnika, podłącz baterię 1.5V do wejścia głośników basowych, z dodatnią stroną baterii podłączoną do pozytywnego gniazda głośnikowego. Obydwie membrany powinny zostać wypchnięte.

Pola magnetyczne

Głośniki wytwarzają pola magnetyczne, które działają poza samymi kolumnami. Zalecamy, aby urządzenia wrażliwe na działanie pola magnetycznego (takie jak ekrany telewizorów i komputerów, dyski komputerowe, taśmy audio i video itd.) znajdowały się w odległości co najmniej 50 cm od głośnika. Ekrany plazmowe i LCD nie są wrażliwe na działanie pola magnetycznego.

Podłączenia

Wszystkie podłączenia powinny być wykonywane przy wyłączonym urządzeniu.

Głośniki CT8.2 posiadają dwie pary gniazd podłączeniowych oraz jedno gniazdo Neutrik® Speakon na panelu tylnym. Gniazda podłączeniowe pozwalają na szybkie i łatwe podłączenie „gotych” kabli, podczas gdy gniazdo Neutrik® Speakon oferuje bardziej bezpieczne i niezawodne metody podłączenia. Oba typy gniazd umożliwiają podłączenie typu „bi-wire”.

Aby podłączyć głośniki w konwencjonalnym trybie połączenia jednym przewodem przy użyciu opcji Speakon, wsuń krótki odcinek izolowanego przewodu przez otwór każdego z gniazd i skręć główkę gniazda, poczym odłącz wtyczkę Speakon tak, jak pokazane to jest na rysunku 4a i podłącz przewód dodatni z gniazdem oznaczonym jako +1 i ujemny przewód z gniazdem oznaczonym jako -1. Nieprawidłowe połączenie może spowodować niewłaściwe odwzorowanie brzmienia tonów niskich. Gdy wtyk jest ponownie złożony, może być wetknięty w gniazdo i zablokowany poprzez przekręcenie.

Aby podłączyć głośniki w konwencjonalny sposób używając pary gniazd podłączeniowych, włóż kawałek „gołego” kabla w gniazdo i zakręć nakrętki gniazda. Podłącz kabel „+” z czerwonym gniazdem i kabel „-” z gniazdem

czarnym, tak jak jest to pokazane na rysunku 4b. Niewłaściwe podłączenie może skutkować niską jakością i utratą niskich tonów.

Aby podłączyć głośniki w trybie „bi-wire” używając opcji Speakon, rozmontuj wtyczkę Speakon tak jak jest to pokazane na rysunku 5a i podłącz jedną parę kabli „+” i „-” do gniazd oznaczonych „+1” i „-1” oraz drugą parę kabli „+” i „-” do gniazd oznaczonych „+2” i „-2”. Upewnij się, czy kable są podłączone do odpowiednich gniazd. Niewłaściwe podłączenie może skutkować niską jakością i utratą niskich tonów. Gdy wtyczka jest już zdemontowana może zostać podłączona do gniazda i zamocowana przy pomocy przekręcenia zgodnie z ruchem wskazówek zegara.

Aby podłączyć głośniki w trybie „bi-wire” używając pary gniazd podłączeniowych, podłącz jedną parę kabli „+” i „-” do gniazd oznaczonych LF i drugą parę kabli „+” i „-” do gniazd oznaczonych HF. Upewnij się, czy kable „+” są podłączone do czerwonych, a kable „-” do czarnych gniazd, tak jak ma to miejsce na rysunku 5b. Niewłaściwe podłączenie może skutkować niską jakością i utratą niskich tonów.

Poproś sprzedawcę o pomoc w doborze kabla. Pamiętaj, aby impedancja była mniejsza niż maksymalna impedancja podawana przez producenta.

Neutrik® i wszystkie nazwy produktów Neutrik® wymienianych w tym tekście są albo znakami towarowymi albo znakami usługowymi firmy Neutrik®.

Dostrajanie

Przed dostrajaniem upewnij się, że wszystkie podłączenia w instalacji są poprawne i bezpieczne.

Jeśli dźwięk jest zbyt „jasny”, umieszczenie większej ilości miękkio wykończonych mebli w pokoju (a także np. ciężkich zastan) może pomóc zbalansować dźwięk. Analogicznie, zredukowanie ilości takich mebli w pokoju może pomóc rozjaśnić zbyt stłumiony dźwięk.

Niektóre pomieszczenia wytwarzają ruchome echo – echo, które „krąży” między ścianami i elementami pomieszczenia. Sprawdź czy twoje pomieszczenie wytwarza takie echo poprzez głośne klaskanie na środku pokoju. Echo takie może zostać zredukowane poprzez umieszczenie mebli i rzeczy o nieregularnych kształtach (połki, dywaniki) na któreś ze ścian lub na podłodze.

Okres „docierania”

Jakość dźwięku odtwarzanego przez kolumny zmienia się w niewielkim stopniu w przeciągu początkowego okresu ich używania. Jeśli kolumny były przetrzymywane w chłodnym miejscu, materiały tłumiące oraz wykończeniowe głośników będą musiały przez pewien czas odzyskiwać swoje pierwotne charakterystyki. Zawieszenie głośników rozgrzeje się w pierwszych godzinach użytkowania kolumny. Czas, jaki kolumna potrzebuje na osiągnięcie nominalnych możliwości, zależy od warunków, w jakich była przechowywana oraz od sposobu, w jaki jest użytkowana. Daj kolumnie mniej więcej tydzień na ustabilizowanie temperatury oraz 15 godzin przeciętnej pracy, aby podzespoły osiągnęły zakładane przez projektantów charakterystyki.

Niemniej jednak, całkowity początkowy okres rozruchu jest dłuższy i wynosi około miesiąca. Zależy on jednak w głównej mierze od przyzwyczajenia się użytkownika do pracy kolumny, a nie od zmian wewnątrz samej kolumny. Dzieje się tak w szczególności z kolumnami, których reprodukcja ilości detali nie jest wystarczająco duża w porównaniu z ilością, do której był przyzwyczajony użytkownik. Początkowo dźwięk może wydawać się zbyt przytłaczający i trochę mocny. Jednak po pewnym czasie stanie się łagodny, ale bez utraty czystości i dokładności.

Pielęgnacja

Obudowy zazwyczaj wymagają tylko usunięcia kurzu. Jeśli chcesz użyć aerozolu lub innego środka czyszczącego, zdejmij maskownicę delikatnie ściągając ją z obudowy. Rozpyl aerozol na szmatkę, a nie bezpośrednio na produkt. Najpierw sprawdź na małej powierzchni, czy środek czyszczący nie niszczy podłoża. Unikaj materiałów szorstkich i takich, które zawierają kwas, są zasadowe lub antybakteryjne. Nie stosuj środków czyszczących na głośniki. Maskownica może być czyszczona przy użyciu normalnej ściereki, gdy sama maskownica została uprzednio zdjęta z kolumny. Unikaj dotykania głośników, a w szczególności wysokotonowego, żeby ich nie uszkodzić.

Gwarancja

Ten produkt został zaprojektowany i wyprodukowany zgodnie z najwyższymi standardami jakości. Jednak, jeśli zdarzy się jakaś awaria, firma B&W Group Ltd. oraz jej międzynarodowi dystrybutorzy gwarantują bezpłatny serwis (wyjątki mogą wystąpić) na części i robociznę w każdym kraju, w którym jest autoryzowany dystrybutor B&W.

Warunki gwarancji

- 1 Gwarancja odnosi się tylko do naprawy sprzętu. Ani transport, ani żadne inne koszty, włącznie z ryzykiem przenoszenia, transportu i instalacji produktów nie są objęte tą gwarancją.
- 2 Gwarancja jest ważna tylko dla pierwszego właściciela. Nie przechodzi na następnych właścicieli.
- 3 Gwarancja obejmuje tylko i wyłącznie wady materiałowe lub inne wady ukryte w dniu zakupu. Gwarancja nie ma zastosowania w odniesieniu do:
 - a uszkodzeń spowodowanych niewłaściwą instalacją, podłączeniem lub zapakowaniem produktu,
 - b uszkodzeń spowodowanych niewłaściwą eksploatacją, niezgodną z instrukcją obsługi, modyfikacjami produktu lub wykorzystaniem części, które nie pochodzą od lub nie mają autoryzacji B&W,

- c uszkodzeń spowodowanych przez popsute lub niewłaściwe urządzenia towarzyszące,
 - d uszkodzeń spowodowanych przez wypadki losowe, udary pioruna, wodę, pożar, czy inne czynniki, pozostające poza kontrolą firmy B&W i jej autoryzowanych dystrybutorów,
 - e produktów, których numer seryjny został zamazany, usunięty lub przerobiony,
 - f oraz w przypadku gdy wykonano już naprawy lub modyfikacje przez firmy lub osoby nieautoryzowane.
- 4 Ta gwarancja jest dopełnieniem prawnych podstaw udzielania gwarancji, obowiązujących na terenie danego kraju i nie narusza statutowych praw klienta.

Jak reklamować sprzęt na gwarancji

Jeśli zaistnieje potrzeba oddania produktu do serwisu, prosimy zastosować się do następującej procedury:

- 1 Jeśli sprzęt jest używany w kraju zakupu, powinieneś skontaktować się z autoryzowanym dealerem, u którego sprzęt został zakupiony.
- 2 Jeśli sprzęt jest używany poza granicami kraju, powinieneś się skontaktować z dystrybutorem B&W właściwym dla miejsca zamieszkania w celu uzyskania informacji, gdzie sprzęt może być serwisowany. Możesz zadzwonić do B&W w Wielkiej Brytanii lub odwiedzić naszą witrynę internetową aby uzyskać kontakt do lokalnego dystrybutora.

Aby uczynić ważnym żądanie gwarancyjne, należy dostarczyć oryginalną fakturę sprzedaży lub inny dowód własności, zawierający datę zakupu.

简体中文 用户手册

亲爱的客户:

感谢你选择Bowers & Wilkins的产品。请在打开包装和安装产品前仔细阅读本手册。它将使你的产品性能达到最佳状态。B&W公司在全世界60多个国家拥有专业代理商的网络，他们将帮助你解决经销商不能解决的问题。

环保信息



所有B&W产品的设计均符合国际上有关电子和电气设备的“有害物质限制指令(RoHS)”的规定和“废弃电子电气设备指令(WEEE)”的处置规定。这些标志说明了它的相符性以及产品必须恰当地回收或者按照这些规定进行处理。请向当地废弃物处理局咨询。

包装箱内的物品

检查纸箱内是否有下列各项:

- 1 x Speakon插头
- 2 x 座地托架
- 4 x M6螺钉
- 2 x 泡沫塞
- 2 x 屏板密封垫
- 1 x 面板密封垫
- 1 x 5mm艾伦内六角扳手

安装扬声器

CT8.2扬声器主要应用于家庭影院的前及中央声道。用于中央声道时，扬声器可按标准垂直(纵向)方式放置，或以平放(横向)方式放置，可透过对换高/中音驱动模块与上部低音驱动模块位置来进行改装。有关改装CT8.2作横向的中央声道的方法见本手册后面的章节。

CT8.2可安装在地板或融入订制的家具中。提供的座地托架可固定扬声器，当扬声器竖立在地板、架子或其它平面上时，座地托架可防止它向前倾倒。座地托架可透过M6螺纹孔连接至CT8.2的背部。使用提供的M6螺钉把座地托架牢固地安装到扬声器的背板。托架固定后应使它的平面部分安放在地上。可透过长圆孔把托架连接到支撑面。必要时，请使用合适的螺钉及栓塞。图1说明了座地托架的使用方法。

不管采用那种安装方法，提起扬声器时需特别小心。扬声器本身较重，最好由两人一起安装。如对墙壁、地板、家具和/或其它设备造成的损坏，B&W恕不负上责任。

扬声器位置

当CT8.2扬声器用作家庭影院系统的前声道时，应放置在地上或嵌入家具内，于屏幕两侧各放一只。它们应位于屏幕两侧约0.5米(20英寸)内的位置，以便使声音和图像保持同步。见图2。

当CT8.2扬声器用作家庭影院系统的中央声道时，应平放在屏幕上方或下方的正中位置。如果是透声屏幕，中置扬声器应该位于屏幕中心的背后。在这种情况下，可使用标准垂直配置的CT8.2。见图2。

CT8.2横向的中央声道配置

CT8.2可重新配置成平放(横向)模式的中置扬声器，透过对换上部低音驱动模块与高/中音驱动模块位置。该中/高音驱动模块同时须旋转90度角。重新配置的步骤如下，并附图加以说明。

你需要一个M5及一个M4六角形螺丝刀及足够空间，以便把扬声器躺下并进行改装。建议由两人一起进行。整个过程需加倍小心。扬声器的驱动单元是精密细致的部件，如操作不当可导致损坏。因此建议在整个过程中都使用高音单元保护盖。

步骤1 (图3a)

把扬声器竖立起来。将机箱内固定高/中音驱动模块的四根M5螺钉松开及卸下。当卸下最后一根螺钉时，请谨记用手托着驱动模块以免掉落。把螺钉、垫圈和垫片放在一边。

步骤2 (图3a)

当手拿开时，该模块可能会向前松落，这时可小心翼翼地把它从机箱取出；否则，需要将机箱轻轻向前倾斜，使模块松开以便取出。倾斜机箱时，其中一只手须托着模块。

步骤3 (图3b)

当高/中音驱动模块从机箱中取出时，它的接线会显露出来。必须断开位于接线中间间的连接器。让助手托着驱动模块，握着连接器的两边并且拔开。

步骤4 (图3b)

一旦断开高/中音驱动模块时，便可把它完全从机箱取出并放在一边。模块后面的填塞物也应取出及放在一边。应取出并丢弃高/中音驱动模块的密封垫。

步骤5 (图3c)

现在应把扬声器轻轻躺下，以便取出上部低音驱动模块。卸下机箱内固定低音驱动模块的四根M5螺钉，把螺钉及垫圈放在一边。

步骤6 (图3c)

从后推出低音驱动模块。为了接触该模块的背部，必须移走位于高/中音驱动模块后面机箱上的活动板。松开及卸下固定该板的八根M4螺钉并透过孔放下。取出并丢弃密封垫。将螺钉放在一边。用手穿过该孔接触低音驱动模块的背部，并小心地往上推。

步骤7 (图3d)

一旦低音驱动模块从机箱内轻微地向上移动时，便可把它移开。看到有色接线的方向后，将接线从接头拉下以断开驱动器。将低音驱动模块放在一边。模块后面的填塞物也应取出及放在一边。应取出并丢弃低音驱动模块的密封垫。

步骤8 (图3e)

现在可把低音驱动模块和高/中音模块的接线分别对换到各自的新位置。把高/中音模块接线，包括所连系的内部板，穿过机箱放进低音驱动模块空出来的区域。把低音驱动模块的接线放入机箱内高/中音驱动模块空出来的区域。

步骤9 (图3f)

使用新的密封垫及八根M4螺钉，来固定在机箱内新的高/中音驱动模块区域中的内部板。锁紧螺钉至1.70Nm扭矩。注意锁紧板时不要夹有任何填充物。

步骤10 (图3g)

重新放好高/中音驱动模块空间的填充物，在机箱的接面放置一块新的密封垫。拿来高/中音驱动模块，再次接上连接器，把模块固定在机箱并旋转90度角，使高音单元接近一边。放置垫片及放回四根M5螺钉及垫圈。锁紧螺钉至1.70Nm扭矩。

注：高音单元位于机箱的那一边并不是很重要（即：假如高/中音驱动模块顺时针或逆时针旋转90°）。

步骤11 (图3h)

重新放好低音驱动模块空间的填充物，在机箱的接面放置一块新的密封垫。拿来低音驱动模块，重新把插头连接至驱动器，并把模块固定在机箱。放回M5螺钉及垫圈，锁紧螺钉至1.70Nm扭矩。现在重新配置了的CT8.2可以用作横向模式的中置扬声器。

注：重新连接时有可能接错低音驱动的极性。重新连接时检查低音驱动极性可简单地将一枚1.5伏电池连接到低音输入端，电池正极端连接到正输入端。两个音盆均应向外移动。

杂散磁场

扬声器的驱动系统可产生延伸到扬声器周边以外地方的杂散磁场。我们建议你将对磁场敏感的物体（如传统的CRT电视机和电脑屏幕、电脑磁盘、录音及录像带、信用卡等）放置离它至少0.5米（20英寸）的地方。液晶电视和等离子电视不会受这种磁场影响。

连接

连接时，请将设备关闭。

在CT8.2扬声器的背板上，有两对接线柱和一个Neutrik® Speakon连接插座。接线柱提供快捷简易的去皮电线连接，而Speakon插座则提供更安全可靠连接方式。Speakon和接线柱连接方式均能双线连接扬声器。

使用Speakon传统单线方式连接扬声器时，于每个接线柱内插入一条短的去皮电线，并将接头拧紧，然后解开Speakon插头。如图4a所示。把正极接线连接至标有+1的接头，负极接线连接至标有-1的接头。错误连接会导致劣质结像效果及损失低音。当插头重新装上后，可插入插座，并向顺时针方向拧紧锁定。

使用接线柱传统单线方式连接扬声器时，于每个接头内插入一条短的去皮电线，并将接头拧紧。将正极接线连接至一个红色的接头，而将负极接线连接至相应的黑色接头，如图4b所示。错误连接会导致劣质结像效果及损失低音。

使用接线柱或Speakon插座以双线连接模式连接扬声器

如选择使用Speakon模式，请按照图5a所示，解开Speakon插头，将其中一对正负极接线连接至标有+1和-1的接头，并将另一对正负极接线连接至+2和-2的接头。连接时必须确保正极接线是连接至+接头，负极接线是连接至-接头。错误连接会导致劣质结像效果及损失低音。当插头重新装上后，可插入插座，并向顺时针方向拧紧锁定。

如选择使用接线柱模式，将其中一对正负极接线连接至LF处，并将另一对正负极接线连接至HF处。连接时必须确保正极接线是连接至红色的接头，而负极接线是连接至黑色的接头，如图5b所示。错误连接会导致劣质结像效果及损失低音。

在选择扬声器接线时，请向经销商咨询。总电阻抗应低于扬声器规格中所建议的最大值，并使用低电感的接线，以避免高频减弱。

本部分所提到的Neutrik®和Neutrik®产品的名称均为Neutrik®的商标和（或）服务标记。

微调

在微调前，确保安装中的所有连接正确且安全。

如果声音太过明亮，则在房间内增加软性的陈设品（如较重的窗帘）可以帮助平衡声音。相反，在房间内减少软性的陈设品可以使乏味的声音变得明亮。

某些房间深受“抖动回音”的影响，这种回音在房间的平行边缘之间来回“跳动”。抖动回音可以使得室内扬声器的声音产生音染。测试抖动回音的方法是站在房间中间击掌。减少抖动回音的方法是在引起问题的墙壁或地板上放置形状不规则的物体或者非反射的表面，例如书架、毯子或图画。

煲机阶段

在初始试听阶段，扬声器的性能会发生细微变化。如果扬声器被安装在较冷的房间内，驱动装置的阻尼复合组件和悬挂材料会需要一些时间来恢复其正确的机械性能。驱动装置的悬挂部分也会在最初使用的几小时内松动。使扬声器达到理想性能状态的时间将因之前的储存状况和使用方法而有所变化。作为使用指引，可以用一周时间来稳定温度的影响，或者用平均使用15小时的时间来使机械部分达到理想的设计性能。

不过，也出现过更长时间的设备调试期（如一个月）。但证据显示这与扬声器的改变没多大关系，而与试听者适应新的声音关系更大。这在扬声器的声音细节与试听者以前所习惯的相比有很大程度增加时，尤其如此。声音在开始时也许太过“直接”，或者有点猛烈。经过一段时间以后，声音将会变得柔美，但并不失去清晰度和细节。

保养

通常机箱表面仅需要除掉灰尘。如果希望使用气雾剂或其它清洁剂，请先小心从机箱移开面网。在清洁布上喷上气雾剂，不要直接喷到产品上。首先在小范围内测试，因为有些清洁产品会损坏某些表面。避免使用可能造成腐蚀、或含酸、碱、抗菌的产品。请勿在驱动单元上使用清洁剂。面网从机箱上取下来后，可使用一般的布刷来清洁面网部分。要避免接触驱动单元，特别是高音单元，否则可导致损坏。

有限保修

本产品按照最高质量标准设计和制造。不过，假如产品有任何问题，B&W Group Ltd及其在全国的分销商将免费在B&W正式的分销商所服务的国家进行修理（可能有例外情况）和更换部件。

此有限保修的有效期为5年，从购买之日起算起。对于包括电子产品在内的有源扬声器，其保修期为2年。

使用条款及条件

- 1 保修仅限于对设备的维修。保修既不包括运费和其它费用，也不包括产品移动、搬运和安装中的风险。
- 2 本保修不具有转让性，仅对所有者有效。
- 3 本保修不适用于除了在购买时原材料和（或）工艺的缺陷以外的情形，以及下列情形：
 - a. 由于不正确的安装、连接和包装所引起的损坏；
 - b. 因未按照使用手册里面的正确方法使用、过失、修改而引起的损坏，或使用非B&W或其授权的配件而引起的损坏；
 - c. 由失误或不适当的辅助设备所引起的损坏；
 - d. 由事故、闪电、水灾、火灾、战争、骚乱所引起的损坏，或在B&W及其指定的分销商合理控制范围之外的因素所引起的损坏；
 - e. 产品序列号被修改、删除、移去或变得模糊不清的产品；
 - f. 如维修和改动是未经授权的人所完成的；
- 4 本保证可补充任何零售商或分销商的国家或地区的法律责任，它并不影响你作为客户的法律权利。

如何在保修期内要求维修

如要求提供服务，请按照下列程序办理：

- 1 如果设备是在购买的国家内使用，你应该与从购买设备的B&W认可零售商联系。
- 2 如果设备是在购买的国家以外使用，你应当与居住国的B&W国内销售商联系，他们会告诉你那里可以修理设备。你可以致电英国的B&W或浏览我们的网站来获取你当地销售商的联系详情。

为使本保修有效，你须要填写及保存本保修手册，并由你的零售商盖上购买的日期。或者，你须提供购买单据之正本或可证明购买日子及拥有权之凭证。

繁體中文 用戶手冊

親愛的客戶：

感謝你選擇Bowers & Wilkins的產品。請在打開包裝和安裝產品前仔細全面地閱讀本手冊。它將使你的產品性能達到最佳狀態。B&W公司在全世界60多個國家擁有專業代理商的網路，他們將幫助你解決經銷商不能解決的問題。

環保資訊



所有B&W產品的設計均符合國際上有關電子和電氣設備的“有害物質限制指令(RoHS)”的規定和“廢棄電子電氣設備指令(WEEE)”的處置規定。這些標誌說明了它的符合性以及產品必須恰當回收或者按照這些規定進行處理。請向當地廢棄物處理局諮詢。

包裝箱內的物品

檢查紙箱內是否有下列各項：

- 1 x Speakon插頭
- 2 x 座地托架
- 4 x M6螺釘
- 2 x 泡沫塞
- 2 x 屏板密封墊
- 1 x 面板密封墊
- 1 x 5mm艾倫內六角扳手

安裝揚聲器

CT8.2揚聲器主要應用於家庭影院的前及中央聲道。用於中央聲道時，揚聲器可按標準垂直(縱向)方式放置，或以平放(橫向)方式放置，可透過對換高/中音驅動模組與上部低音驅動模組位置來進行改裝。有關改裝CT8.2作橫向的中央聲道的方法見本手冊後面的章節。

CT8.2可安裝在地板上或融入訂製的傢俱中。提供的座地托架可固定揚聲器，當揚聲器豎立在地板、架子或其他平面上時，座地托架可防止它向前傾倒。座地托架可透過M6螺紋孔連接到CT8.2的背部。使用提供的M6螺釘把座地托架牢固地安裝到揚聲器的背板。托架固定後應使它的平面部分安放在地上。可透過長圓孔把托架連接到支撐面。必要時，請使用合適的螺釘及柱塞。圖1說明了座地托架的使用方法。

不管採用那種安裝方法，提起揚聲器時需特別小心。揚聲器本身較重，最好由兩人一起安裝。如對牆壁、地板、傢俱和/或其他設備造成的損壞，B&W恕不負責任。

揚聲器位置

當CT8.2揚聲器用作為家庭影院系統的前聲道時，應放置在在地上或嵌入傢俱內，於螢幕兩側各放一隻。它們應位於螢幕兩側約0.5米(20英寸)內的位置，以便使聲音和圖像保持同步。見圖2。

當CT8.2揚聲器用作為家庭影院系統的中央聲道時，應平放在螢幕上方或下方的正中位置。如果是透聲螢幕，中置揚聲器應該位於螢幕中心的背後。在這種情況下，可使用標準垂直配置的CT8.2。見圖2。

CT8.2橫向的中央聲道配置

CT8.2可重新配置成平放(橫向)模式的中置揚聲器，透過對換上部低音驅動模組與高/中音驅動模組位置。該中/高音驅動模組同時須旋轉90度角。重新配置的步驟如下，並附圖加以說明。

你需要一個M5及一個M4六角形螺絲刀及足夠空間，以便把揚聲器躺下並進行改裝。建議由兩人一起進行。整個過程需加倍小心。揚聲器的驅動單元是精密細緻的部件，如操作不當可導致損壞。因此建議在整個過程中都使用高音單元保護蓋。

步驟1 (圖3a)

把揚聲器豎立起來，將機箱內固定高/中音驅動模組的四根M5螺釘鬆開及卸下。當卸下最後一根螺釘時，請謹記用手托著驅動模組以免掉落。把螺釘、墊圈和墊片放在一邊。

步驟2 (圖3a)

當手拿開時，該模組可能會向前鬆落，這時可小心翼翼地把它從機箱取出；否則，需要將機箱輕輕向前傾斜，使模組鬆開以便取出。傾斜機箱時，其中一隻手須托著模組。

步驟3 (圖3b)

當高/中音驅動模組從機箱中取出時，它的接線會顯露出來。必須斷開位於接線中間的連接器。讓助手托著驅動模組，握著連接器的兩邊並且拔開。

步驟4 (圖3b)

一旦斷開高/中音驅動模組時，便可把它完全從機箱取出並放在一邊。模組後面的填塞物也應取出及放在一邊。應取出並丟棄高/中音驅動模組的密封墊。

步驟5 (圖3c)

現在應把揚聲器輕輕躺下，以便取出上部低音驅動模組。卸下機箱內固定低音驅動模組的四根M5螺釘，把螺釘及墊圈放在一邊。

步驟6 (圖3c)

從後推出低音驅動模組。為了接觸該模組的背部，必須移走位於高/中音驅動模組後面機箱上的活動板。鬆開及卸下固定該板的八根M4螺釘並透過孔放下。取出並丟棄密封墊。將螺釘放在一邊。用手穿過該孔接觸低音驅動模組的背部，並小心地往上推。

步驟7 (圖3d)

一旦低音驅動模組從機箱內輕微地向上移動時，便可把它移開。看到有色接線的方向後，將接線從連接頭拉下以斷開驅動器。將低音驅動模組放在一邊。模組後面的填塞物也應取出及放在一邊。應取出並丟棄低音驅動模組的密封墊。

步驟8 (圖3e)

現在可把低音驅動模組和高/中音模組的接線分別對換到各自的新位置。把高/中音模組接線，包括所連繫的內部板，穿過機箱放進低音驅動模組空出來的區域。把低音驅動模組的接線放入機箱內高/中音驅動模組空出來的區域。

步驟9 (圖3f)

使用新的密封墊及八根M4螺釘，來固定在機箱內新的高/中音驅動模組區域中的內部板。鎖緊螺釘至1.70Nm扭矩。注意鎖緊板時不要夾有任何填塞物。

步驟10 (圖3g)

重新放好高/中音驅動模組空間的填塞物，在機箱的接面放置一塊新的密封墊。拿來高/中音驅動模組，再次接上連接器，把模組固定在機箱並旋轉90度角，使高音單元接近一邊。放置墊片及放回四根M5螺釘及墊圈。鎖緊螺釘至1.70Nm扭矩。

注：高音單元位於機箱的那一邊並不是很重要（即：假如高/中音驅動模組順時針或逆時針旋轉90°）。

步驟11 (圖3h)

重新放好低音驅動模組空間的填塞物，在機箱的接面放置一塊新的密封墊。拿來低音驅動模組，重新把插頭連接到驅動器，並把模組固定在機箱。放回M5螺釘及墊圈，鎖緊螺釘至1.70Nm扭矩。現在重新配置了的CT8.2可以用作橫向模式的中置揚聲器。

注：重新連接時有可能接錯低音驅動的極性。重新連接時檢查低音驅動極性可簡單地將一枚1.5伏電池連接到低音輸入端，電池正極端連接到正輸入端。兩個音盆均應向外移動。

雜散磁場

揚聲器的驅動系統可產生延伸到揚聲器周邊以外地方的雜散磁場。我們建議你將對磁場過敏的物體（如傳統的CRT電視機和電腦螢幕，電腦磁片，錄音及錄影帶，信用卡等）放置離它至少0.5米（20英寸）的地方。液晶電視和等離子電視不會受這種磁場影響。

連接

連接時，請將設備關閉。

在CT8.2揚聲器的背板上，有兩對接線柱和一個Neutrik® Speakon連接插座。接線柱提供快捷簡易的去皮電線連接，而Speakon插座則提供更安全可靠的連接方式。Speakon和接線柱連接方式均能雙線連接揚聲器。

使用Speakon傳統單線方式連接揚聲器時，於每個接線柱內插入一條短的去皮電線，並將接頭擰緊，然後解開Speakon插頭。如圖4a所示。把正極接線連接到標有+1的接頭，負極接線連接到標有-1的接頭。錯誤連接會導致劣質結像效果及損失低音。當插頭重新裝上後，可插入插座，並向順時針方向擰緊鎖定。

使用接線柱傳統單線方式連接揚聲器時，於每個接頭內插入一條短的去皮電線，並將接頭擰緊。將正極接線連接到一個紅色的接頭，而將負極接線連接到相應的黑色接頭，如圖4b所示。錯誤連接會導致劣質結像效果及損失低音。

使用接線柱或Speakon插座以雙線連接模式連接揚聲器

如選擇使用Speakon模式，請按照圖5a所示，解開Speakon插頭，將其中一對正負極接線連接到標有+1和-1的接頭，並將另一對正負極接線連接到+2和-2的接頭。連接時必須確保正極接線是連接到+接頭，負極接線是連接到-接頭。錯誤連接會導致劣質結像效果及損失低音。當插頭重新裝上後，可插入插座，並向順時針方向擰緊鎖定。

如選擇使用接線柱模式，將其中一對正負極接線連接到LF處，並將另一對正負極接線連接到HF處。連接時必須確保正極接線是連接到紅色的接頭，而負極接線是連接到黑色的接頭，如圖5b所示。錯誤連接會導致劣質結像效果及損失低音。

在選擇揚聲器接線時，請向經銷商諮詢。總電阻抗應低於揚聲器規格中所建議的最大值，並使用低電感的接線，以避免高頻減弱。

本部分所提到的Neutrik®和Neutrik®產品的名稱均為Neutrik®的商標和（或）服務標記。

微調

在微調前，確保安裝中的所有連接正確且安全。

如果聲音太過明亮，則在房間內增加軟性的陳設品（如較重的窗簾）可以幫助平衡聲音。相反，在房間內減少軟性的陳設品可以使乏味的聲音變得明亮。

某些房間深受“抖動回音”的影響，這種回音在房間的平行邊緣之間來回“跳動”。抖動回音可以使室內揚聲器的聲音產生音染。測試抖動回音的方法是站在房間中間擊掌。減少抖動回音的方法是在引起問題的牆壁或地板上放置形狀不規則的物體或者非反射的表面，例如書架、毯子或圖畫。

煲機階段

在初始試聽階段，揚聲器的性能會發生細微變化。如果揚聲器被安裝在較冷的房間內，驅動裝置的阻尼複合元件和懸掛材料會需要一些時間來恢復其正確的機械性能。驅動裝置的懸掛部分也會在最初使用的幾小時內鬆動。使揚聲器達到理想性能狀態的時間將因之前的儲存狀況和使用方法而有所變化。作為使用指引，可以用一周時間來穩定溫度的影響，或者用平均使用15小時的時間來使機械部分達到理想的設計性能。

不過，也出現過更長時間的設備調試期（如一個月）。但證據顯示這與揚聲器的改變沒多大關係，而與試聽者適應新的聲音關係更大。這在揚聲器的聲音細節與試聽者以前所習慣的相比較有很大程度增加時，尤其如此。聲音在開始時也許太過“直接”，或者有點猛烈。經過一段時間以後，聲音將會變得柔美，但並不失去清晰度和細節。

保養

通常機箱表面僅需要除掉灰塵。如果希望使用氣霧劑或其他清潔劑，請先小心從機箱移開面網。在清潔布上噴上氣霧劑，不要直接噴到產品上。首先在小範圍內測試，因為有些清潔產品會損壞某些表面。避免使用可造成腐蝕、或含酸、鹼、抗菌的產品。請勿在驅動單元上使用清潔劑。面網從機箱上取下後，可使用一般的布刷來清潔面網部分。要避免接觸驅動單元，特別是高音單元，否則可導致損壞。

有限保修

本產品按照最高質量標準設計和製造。不過，假如產品有任何問題，B&W Group Ltd.及其在全球的代理商將免費在B&W正式的代理商所服務的國家進行修理（可能有例外情況）和更換零件。

此有限保修的有效期為5年，從購買之日起算。對於包括電子產品在內的主動式揚聲器，其保修期為2年。

使用條款及條件

- 1 保修僅限於對設備的維修。保修既不包括運費和其他費用，也不包括產品移動、搬運和安裝的風險。
- 2 本保修不具有轉讓性，僅對所有者有效。
- 3 本保修不適用於除了在購買時原材料和（或）工藝的缺陷以外的情形，以及下列情形：
 - a. 由於不正確的安裝、連接和包裝所引起的損壞；
 - b. 因未按照使用手冊裡面的正確方法使用、過失、修改而引起的損壞，或使用非B&W或其授權的配件而引起的損壞；
 - c. 由失誤或不適當的輔助設備所引起的損壞；
 - d. 由事故、閃電、水災、火災、戰爭、騷亂所引起的損壞，或在B&W及其指定的代理商合理控制範圍之外的因素所引起的損壞；
 - e. 產品機號被修改、刪除、移去或變得模糊不清的產品；
 - f. 如維修和改動是經未經授權的人所完成的；
- 4 本保證可補充任何經銷商或代理商的國家或地區的法律責任，它並不影響你作為客戶的法律權利。

如何在保修期內要求維修

如要求提供服務，請按照下列程序辦理：

- 1 如果設備是在購買的國家內使用，你應該與你購買設備的B&W認可經銷商聯繫。
- 2 如果設備是在購買的國家以外使用，你應當與居住國的B&W當地代理商聯繫，他們會告訴你那裡可以修理設備。你可以致電英國的B&W或瀏覽我們的網站來獲取你當地代理商的聯繫詳情。

為使本保修有效，你須要填妥及保存本保修手冊，並由你的經銷商蓋上購買的日期。或者，你須提供購買單據之正本或可證明購買日期及擁有權之憑證。

EU DECLARATION OF CONFORMITY

We,

B&W Group Ltd.

whose registered office is situated at

Dale Road, Worthing, West Sussex, BN11 2BH, United Kingdom

declare under our sole responsibility that the product:

CT8.2 LCR

complies with the EU Electro-Magnetic Compatibility (EMC) Directive 89/336/EEC, in pursuance of which the following standards have been applied:

EN 61000-6-1 : 2001

EN 61000-6-3 : 2001

EN 55020 : 2002

EN 55013 : 2001

and complies with the EU General Product Safety 2001/95/EC, in pursuance of which the following standard has been applied:

EN 60065 : 2002

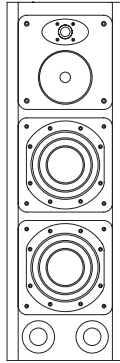
This declaration attests that the manufacturing process quality control and product documentation accord with the need to assure continued compliance.

The attention of the user is drawn to any special measures regarding the use of this equipment that may be detailed in the owner's manual.

Signed:



G Edwards
Executive Vice President, Operations
B&W Group Ltd.



CT8.2 LCR

Technical features	Paper/Kevlar® bass unit cone Kevlar® brand fibre FST midrange cone Speakon® and binding post connectors	
Description	3-way open-box system	
Drive units	1x ø32mm (1¼ in) tube loaded aluminium dome high-frequency 1 x ø150mm (6 in) woven Kevlar® FST mid-range 2 x ø200mm (8 in) Paper/Kevlar® cone bass	
Frequency range	-6dB at 31Hz and 45kHz	
Frequency response	39Hz – 24kHz ±3dB on reference axis	
Dispersion	Left and Right Speakers:	Within 2dB of reference response Horizontal: over 60° arc Vertical: over 20° arc
	Centre Speaker:	Within 2dB of reference response Horizontal: over 40° arc Vertical: over 20° arc
Sensitivity	91dB spl (2.83V, 1m)	
Harmonic distortion	2nd and 3rd harmonics (91dB, 1m) <1% 80Hz – 20kHz <0.5% 200Hz – 15kHz	
Nominal impedance	8Ω (minimum 3Ω)	
Crossover frequencies	400Hz, 4.5kHz	
Recommended amplifier power	50W – 500W into 8Ω on unclipped programme	
Max. recommended cable impedance	0.1Ω	
Dimensions	Height: 1000 mm (39.4 in) Width: 325 mm (12.8 in) Depth: 300 mm (11.8 in)	
Net weight	36.25Kg (79.92 lb)	
Finish	Cabinet	Black painted

B&W Bowers & Wilkins

B&W Group Ltd.
Dale Road
Worthing West Sussex
BN11 2BH England

T +44 (0) 1903 221 800
F +44 (0) 1903 221 801
info@bwgroup.com
www.bowers-wilkins.com

B&W Group (UK Sales)
T +44 1903 221 500
E uksales@bwgroup.com

B&W Group North America
T +1 978 664 2870
E marketing@bwgroupusa.com

B&W Group Asia Ltd.
T +852 2 869 9916
E info@bwgroup.hk

Neutrik and Speakon are registered
trademarks of Neutrik AG.
Kevlar is a registered trademark of DuPont.
Nautilus is a trademark of B&W Group Ltd.
Copyright © B&W Group Ltd. E&OE
Printed in UK.

Free Manuals Download Website

<http://myh66.com>

<http://usermanuals.us>

<http://www.somanuals.com>

<http://www.4manuals.cc>

<http://www.manual-lib.com>

<http://www.404manual.com>

<http://www.luxmanual.com>

<http://aubethermostatmanual.com>

Golf course search by state

<http://golfingnear.com>

Email search by domain

<http://emailbydomain.com>

Auto manuals search

<http://auto.somanuals.com>

TV manuals search

<http://tv.somanuals.com>