



BRADFORD WHITE[®]
W A T E R H E A T E R S

**RESIDENTIAL & LIGHT DUTY
COMMERCIAL REPLACEMENT PARTS LIST**

**“MI”, “M(1,2)XR”, “M4” and
Light Duty 50T65, 65T65 Models**



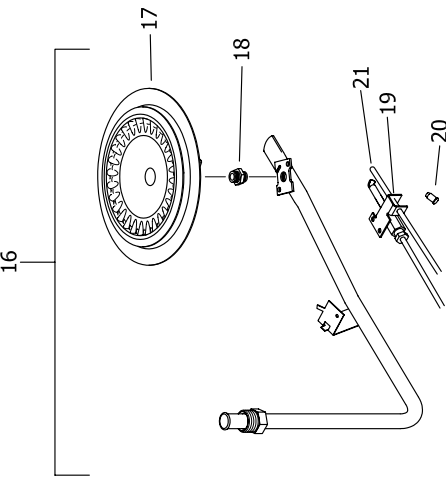
DEFENDER
SAFETY SYSTEM[®]

Includes Hydrojet[®]
Total Performance System

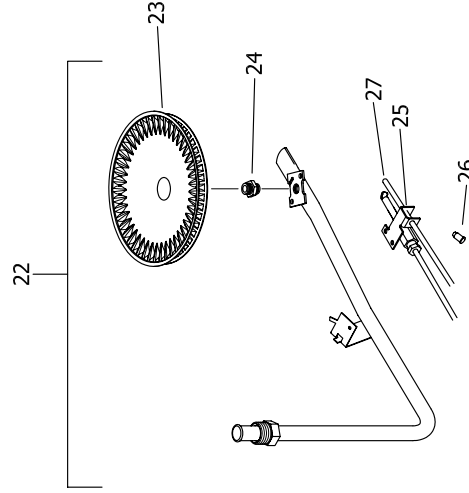
***Effective: July 31, 2008
ECO 7291-2***

**NOTE: BOTH MODEL AND SERIAL
NUMBERS ARE REQUIRED FOR
ORDERING REPLACEMENT PARTS**

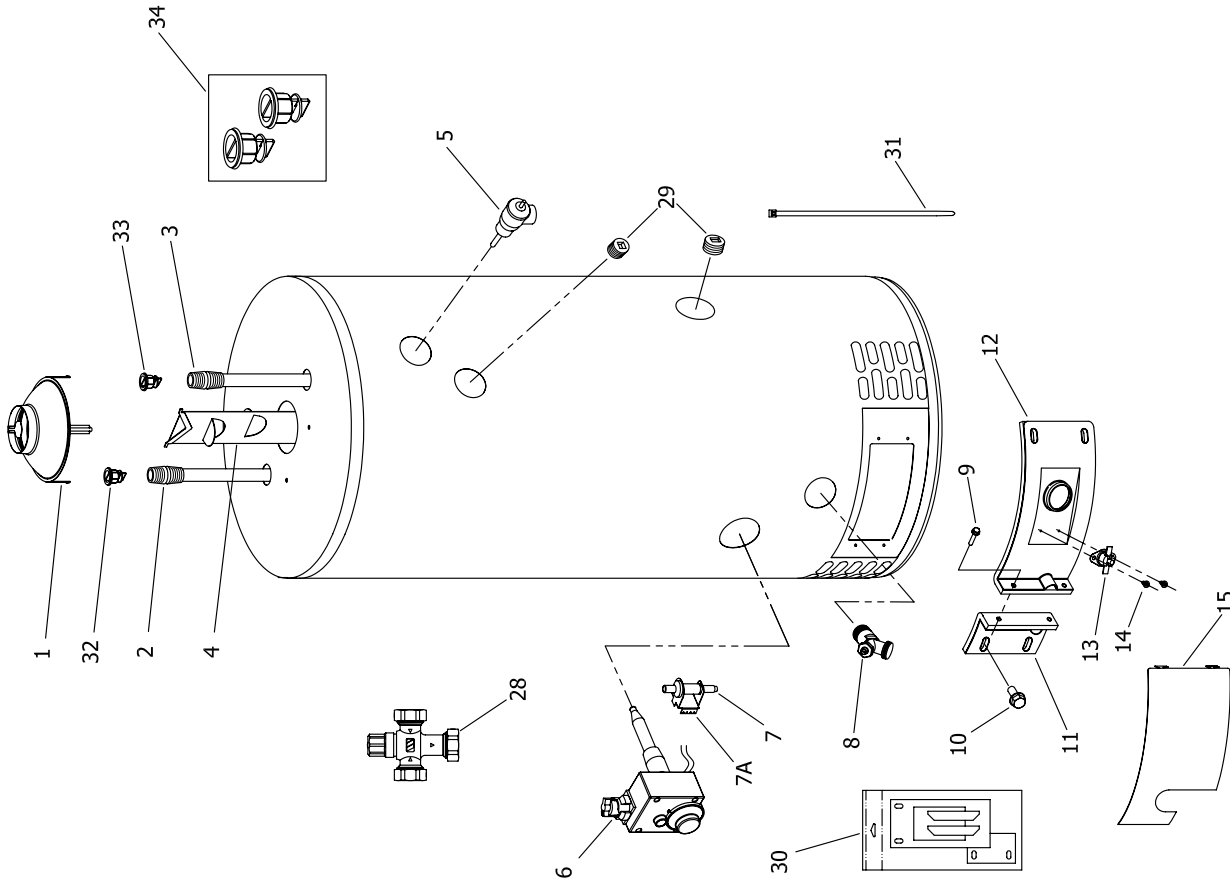
Dimensions and specifications
subject to change without notice.



NATURAL GAS (BN) BURNER ASSEMBLY



LP GAS (SX) BURNER ASSEMBLY



LP GAS (SX) BURNER ASSEMBLY TO REPLACE LP GAS (CX) BURNER ASSEMBLY
ON ALL MODELS EXCEPT 75 & 100 GAL. MODELS

Item	Description	Model MI30T*F(BN,CX,SX)	Model MI30S*F(BN,CX,SX)	Model MI303T*F(BN,CX,SX)	Model MI40T*F(BN,CX,SX)	Model MI403S*F(BN,CX,SX)
1	Draft Hood	243-45787-00	243-45787-00	243-45787-00	243-45787-00	243-45787-00
2	Hot Water Outlet Anode Magnesium▲	224-32731-95	224-32731-97	224-32731-82	224-32731-95	224-32731-81
	Hot Water Outlet Aluminum▲	224-32999-24	224-32999-25	224-32999-06	224-32999-24	224-32999-31
	Hot Water Outlet A420 Aluminum▲	224-45147-02	224-45147-05	224-45147-03	224-45147-02	224-45147-04
3	Cold Water Inlet Dip Tube Polypropylene▲▲	229-39625-23	229-39625-24	229-39625-07	229-39625-25	229-39625-03
	Cold Water Inlet Polypropylene (NC Code)▲▲	229-39628-26	229-39628-27	229-39628-07	229-39628-28	229-39628-03
4	Flue Baffle	243-44639-00	243-45226-00	243-45224-00	243-42283-00	243-45223-00
5	T&P Relief Valve	265-32920-01	265-32920-01	265-32920-01	265-32920-01	265-32920-01
6	Gas Valve Natural Gas	265-46181-01	265-46181-01	265-46181-01	265-46181-01	265-46181-01
	Gas Valve LP Gas	265-46182-01	265-46182-01	265-46182-01	265-46182-01	265-46182-01
7	Piezo Igniter	239-43448-00	239-43448-00	239-43448-00	239-43448-00	239-43448-00
7A	Piezo Bracket (White Rodgers)	239-46157-02	239-46157-02	239-46157-02	239-46157-02	239-46157-02
	Piezo Bracket (Robertshaw)	239-43449-00	239-43449-00	239-43449-00	239-43449-00	239-43449-00
8	Brass Drain Valve	265-42351-02	265-42351-02	265-42351-02	265-42351-02	265-42351-02
9	Screw-#8-18 x 3/4 HWH	239-44195-00	239-44195-00	239-44195-00	239-44195-00	239-44195-00
10	Screw-#10-12 x 3/4 HWH	239-44113-00	239-44113-00	239-44113-00	239-44113-00	239-44113-00
11	Left Side Inner Door Complete	239-43968-14	239-43968-16	239-43968-14	239-43968-16	239-43968-18
12	Nat. Gas Right Side Inner Door Complete	239-43963-02	239-43963-03	239-43963-02	239-43963-03	239-43963-07
	LP Gas Right Side Inner Door Complete	239-43963-02	239-43963-03	239-43963-01	239-43963-03	239-43963-07
13	Nat. Gas Resettable Thermal Switch	239-43676-03	239-43676-01	239-43676-03	239-43676-03	239-43676-02
	LP Gas Resettable Thermal Switch	239-43676-03	239-43676-01	239-43676-02	239-43676-01	239-43676-02
14	Screw-#6-20 x 3/8 PHCR	239-43967-00	239-43967-00	239-43967-00	239-43967-00	239-43967-00
15	Outer Door	243-43962-00	243-43962-00	243-43962-00	243-43962-00	243-43962-00
Natural Gas (BN) Burner Assembly						
16	Nat Gas Burner Assembly Complete***	265-47439-02-36	265-47439-04-38	265-47439-02-32	265-47439-04-32	265-47439-07-32
17	Nat. Gas (BN) Burner**	228-42506-00	228-42506-00	228-42506-00	228-42506-00	228-42506-00
18	Nat. Gas (BN) Main Burner Orifice**	234-41034-36	234-41034-38	234-41034-32	234-41034-32	234-41034-32
	Nat. Gas (BN) High Altitude 2001 Ft. to 5000 Ft.**	234-41034-39	234-41034-41	234-41034-36	234-41034-36	234-41034-36
	Nat. Gas (BN) High Altitude 5001 Ft. to 8000 Ft.**	234-41034-41	234-41034-43	234-41034-38	234-41034-38	234-41034-38
	Nat. Gas (BN) High Altitude Over 8000 Ft.**	234-41034-43	234-41034-43	234-41034-38	234-41034-38	234-41034-38
19	Nat. Gas Pilot Assembly**	233-46277-04	233-46277-04	233-46277-04	233-46277-04	233-46277-04
20	Nat. Gas Pilot Orifice**	234-46502-05	234-46502-05	234-46502-05	234-46502-05	234-46502-05
21	Thermocouple**	233-46501-15	233-46501-15	233-46501-15	233-46501-15	233-46501-15
LP Gas (SX) Titanium Stabilized Stainless Steel Burner Assembly						
(Replacement for LP Gas (CX) Cast Iron Burner)						
22	LP Gas Burner Assembly Complete***	265-47440-02-60	265-47440-05-54	265-47440-02-52	265-47440-05-52	265-47440-11-50
23	LP Gas (SX) Burner**	228-46964-00	228-46964-00	228-46964-00	228-46964-00	228-46964-00
24	LP Gas (SX) Main Burner Orifice**	234-47064-60	234-47064-54	234-47064-52	234-47064-52	234-47064-50
	LP Gas (SX) High Altitude 2001 Ft. to 5000 Ft.**	234-47064-54	234-47064-54	234-47064-53	234-47064-53	234-47064-51
	LP Gas (SX) High Altitude 5001 Ft. to 8000 Ft.**	234-47064-54	234-47064-54	234-47064-54	234-47064-54	234-47064-52
	LP Gas (SX) High Altitude Over 8000 Ft.**	233-46278-03	233-46278-03	233-46278-03	233-46278-03	233-46278-03
25	LP Gas Pilot Assembly**	234-46502-02	234-46502-02	234-46502-02	234-46502-02	234-46502-02
26	LP Gas Pilot Orifice**	233-46501-15	233-46501-15	233-46501-15	233-46501-15	233-46501-15
27	Thermocouple**	239-43740-01	239-43740-01	239-43740-01	239-43740-01	239-43740-01
28	ASSE Approved Mixing Valve (Optional)	---	---	---	---	---
29	3/4 NPT Plug	---	---	---	---	---
30	Inner Door Gasket Kit	239-44078-00	239-44078-00	239-44078-00	239-44078-00	239-44078-00
31	Wire Tie	239-44328-00	239-44328-00	239-44328-00	239-44328-00	239-44328-00
32	Heat Trap Insert (Outlet)	239-45167-00	239-45167-00	239-45167-00	239-45167-00	239-45167-00
33	Heat Trap Insert (Inlet)	239-45073-00	239-45073-00	239-45073-00	239-45073-00	239-45073-00
34	Kit-Heat Trap Insert	265-45420-00	265-45420-00	265-45420-00	265-45420-00	265-45420-00
-	LP to Natural Gas Conversion Kit (Norm Alt.)	265-45712-01	265-45712-02	265-45712-03	265-45712-04	265-45712-05
-	LP to Natural Gas Conversion Kit (High Alt.)	265-45712-13	265-45712-14	265-45712-15	265-45712-16	265-45712-17

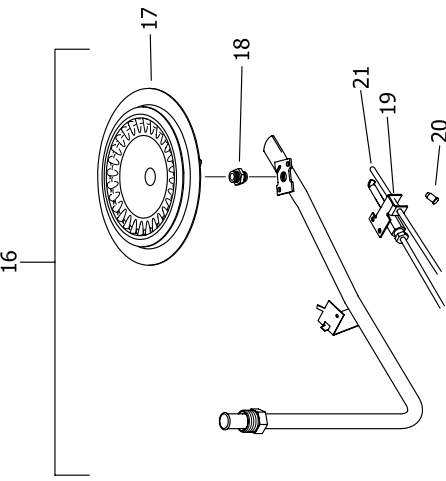
*Applies to all warranties

**Inner door gasket kit recommended

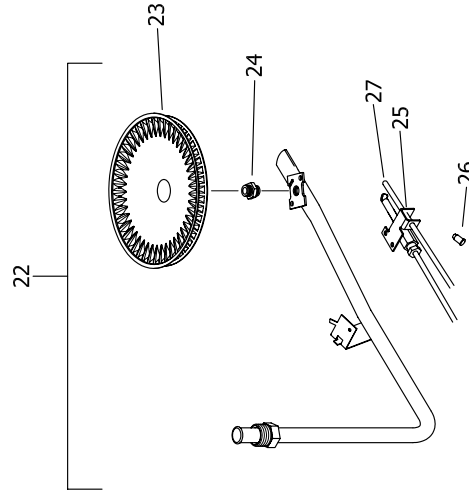
***Ordering a complete burner assembly may increase delivery time. Please order the specific component required for the quickest delivery.

▲ Order with item 32

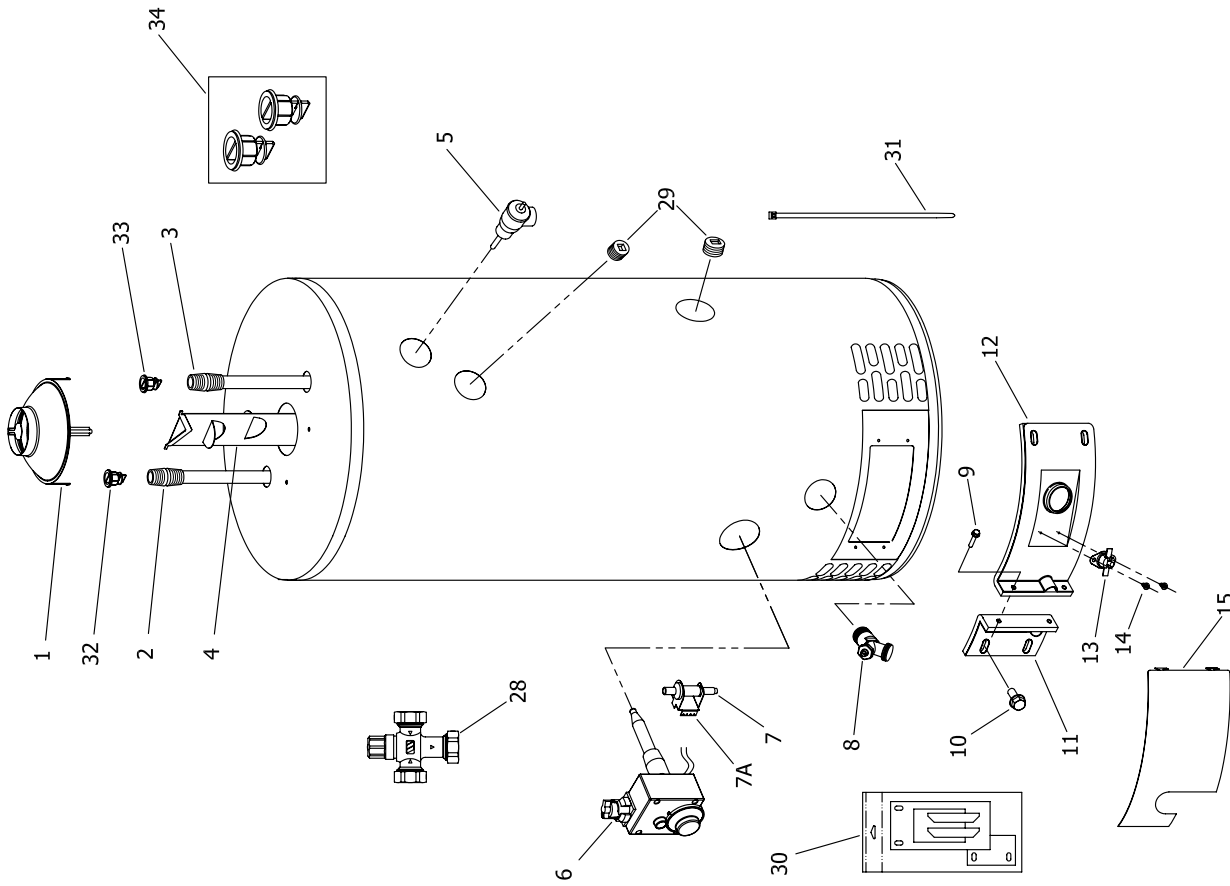
▲▲ Order with item 33



NATURAL GAS (BN) BURNER ASSEMBLY



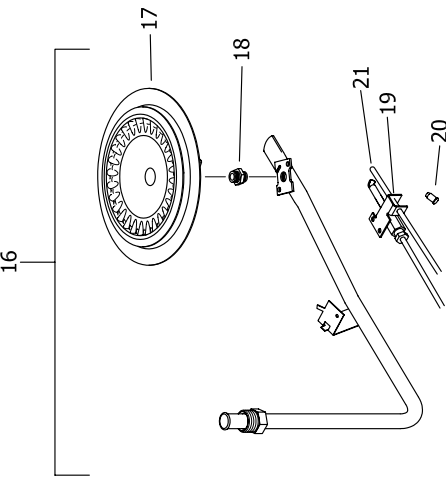
LP GAS (SX) BURNER ASSEMBLY



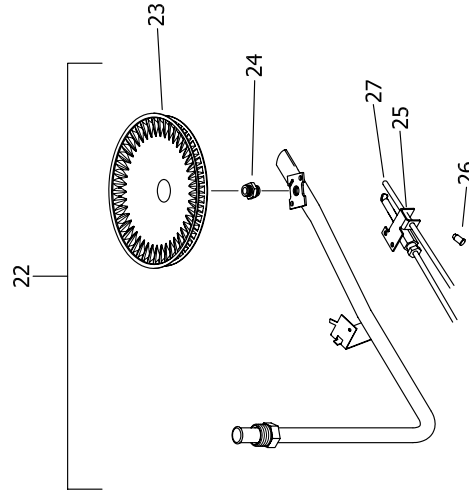
LP GAS (SX) BURNER ASSEMBLY TO REPLACE LP GAS (CX) BURNER ASSEMBLY
ON ALL MODELS EXCEPT 75 & 100 GAL. MODELS

Item	Description	Model MI404T*F(BN,CX,SX)	Model MI503*F(BN,CX,SX)	Model MI50L*F(BN,CX,SX)	Model MI504S*F(BN,CX,SX)	Model MI60T*F(BN,CX,SX)
1	Draft Hood	243-33081-02-20	243-45787-00	243-45787-00	243-12950-00	243-45787-00
2	Hot Water Outlet Anode Magnesium▲	224-32731-82	224-32731-107	224-32999-06	224-32731-82	224-32731-86
	Hot Water Outlet Aluminum▲	224-32999-06	224-32999-21	224-32999-31	224-32999-06	224-32999-30
3	Hot Water Outlet A420 Aluminum▲	224-45147-03	224-45147-02	224-45147-04	224-45147-03	224-45147-01
	Cold Water Inlet Dip Tube Polypropylene▲▲	229-39625-06	229-39625-22	229-39625-05	229-39625-06	229-39625-14
	Cold Water Inlet Polysulfone (NC Code)▲▲	229-39628-06	229-39628-21	229-39628-05	229-39628-06	229-39628-14
4	Flue Baffle	243-45225-00	243-44705-00	243-45223-00	243-45223-00	243-45223-00
5	T&P Relief Valve	265-32920-01	265-32920-01	265-32920-01	265-32920-01	265-32920-01
6	Gas Valve Natural Gas	265-46181-01	265-46181-01	265-46181-01	265-46181-01	265-46181-01
	Gas Valve LP Gas	265-46182-01	265-46182-01	265-46182-01	265-46182-01	265-46182-01
7	Piezo Igniter	239-43448-00	239-43448-00	239-43448-00	239-43448-00	239-43448-00
7A	Piezo Bracket (White Rodgers)	239-46157-02	239-46157-02	239-46157-02	239-46157-02	239-46157-02
	Piezo Bracket (Robertshaw)	239-43449-00	239-43449-00	239-43449-00	239-43449-00	239-43449-00
8	Brass Drain Valve	265-42351-02	265-42351-02	265-42351-02	265-42351-02	265-42351-02
9	Screw-#8-18 x 3/4 HWH	239-44195-00	239-44195-00	239-44195-00	239-44195-00	239-44195-00
10	Screw-#10-12 x 3/4 HWH	239-44113-00	239-44113-00	239-44113-00	239-44113-00	239-44113-00
11	Left Side Inner Door Complete	239-43968-16	239-43968-18	239-43968-20	239-43968-16	239-43968-20
12	Nat. Gas Right Side Inner Door Complete	239-43963-05	239-43963-07	239-43963-09	239-43963-05	239-43963-12
	LP Gas Right Side Inner Door Complete	239-43963-05	239-43963-07	239-43963-09	239-43963-06	239-43963-13
13	Nat. Gas Resettable Thermal Switch	239-43676-03	239-43676-02	239-43676-01	239-43676-01	239-43676-02
	LP Gas Resettable Thermal Switch	239-43676-03	239-43676-02	239-43676-01	239-43676-01	239-43676-03
14	Screw-#6-20 x 3/8 PHCR	239-43967-00	239-43967-00	239-43967-00	239-43967-00	239-43967-00
15	Outer Door	243-43962-00	243-43962-00	243-43962-00	243-43962-00	243-43962-00
Natural Gas (BN) Burner Assembly						
16	Nat Gas Burner Assembly Complete***	265-47439-04-30	265-47439-07-32	265-47439-10-32	265-47439-07-30	265-47439-10-32
17	Nat. Gas (BN) Burner**	228-42506-00	228-42506-00	228-42506-00	228-42506-00	228-42506-00
18	Nat. Gas (BN) Main Burner Orifice**	234-41034-30	234-41034-32	234-41034-32	234-41034-30	234-41034-32
	Nat. Gas (BN) High Altitude 2001 Ft. to 5000 Ft.**	234-41034-31	234-41034-36	234-41034-36	234-41034-31	234-41034-36
	Nat. Gas (BN) High Altitude 5001 Ft. to 8000 Ft.**	234-41034-32	234-41034-38	234-41034-38	234-41034-32	234-41034-38
	Nat. Gas (BN) High Altitude Over 8000 Ft.**	234-41034-33	234-41034-38	234-41034-38	234-41034-33	234-41034-38
19	Nat. Gas Pilot Assembly**	233-46277-04	233-46277-04	233-46277-04	233-46277-04	233-46277-04
20	Nat. Gas Pilot Orifice**	234-46502-05	234-46502-05	234-46502-05	234-46502-05	234-46502-05
21	Thermocouple**	233-46501-15	233-46501-15	233-46501-24	233-46501-15	233-46501-24
LP Gas (SX) Titanium Stabilized Stainless Steel Burner Assembly						
22	LP Gas Burner Assembly Complete***	265-47440-06-47	265-47440-11-51	265-47440-17-50	265-47440-12-47	265-47440-17-50
23	LP Gas (SX) Burner**	228-47000-00	228-46964-00	228-46964-00	228-47000-00	228-46964-00
24	LP Gas (SX) Main Burner Orifice**	234-47064-47	234-47064-51	234-47064-50	234-47064-47	234-47064-50
	LP Gas (SX) High Altitude 2001 Ft. to 5000 Ft.**	234-47064-49	234-47064-53	234-47064-51	234-47064-49	234-47064-51
	LP Gas (SX) High Altitude 5001 Ft. to 8000 Ft.**	234-47064-50	234-47064-53	234-47064-52	234-47064-50	234-47064-52
	LP Gas (SX) High Altitude Over 8000 Ft.**	234-47064-51	234-47064-54	234-47064-53	234-47064-51	234-47064-53
25	LP Gas Pilot Assembly**	233-46278-03	233-46278-03	233-46278-03	233-46278-03	233-46278-03
26	LP Gas Pilot Orifice**	234-46502-02	234-46502-02	234-46502-02	234-46502-02	234-46502-02
27	Thermocouple**	233-46501-15	233-46501-15	233-46501-24	233-46501-15	233-46501-24
28	ASSE Approved Mixing Valve (Optional)	239-43740-01	239-43740-01	239-43740-01	239-43740-01	239-43740-01
29	3/4 NPT Plug	---	---	---	---	---
30	Inner Door Gasket Kit	239-44078-00	239-44078-00	239-44078-00	239-44078-00	239-44078-00
31	Wire Tie	239-44328-00	239-44328-00	239-44328-00	239-44328-00	239-44328-00
32	Heat Trap Insert (Outlet)	239-45167-00	239-45167-00	239-45167-00	239-45167-00	239-45167-00
33	Heat Trap Insert (Inlet)	239-45073-00	239-45073-00	239-45073-00	239-45073-00	239-45073-00
34	Kit-Heat Trap Insert	265-45420-00	265-45420-00	265-45420-00	265-45420-00	265-45420-00
-	LP to Natural Gas Conversion Kit (Norm Alt.)	265-45712-06	265-45712-05	265-45712-07	265-45712-08	265-45712-27
-	LP to Natural Gas Conversion Kit (High Alt.)	265-45712-18	265-45712-17	265-45712-19	265-45712-20	265-45712-28

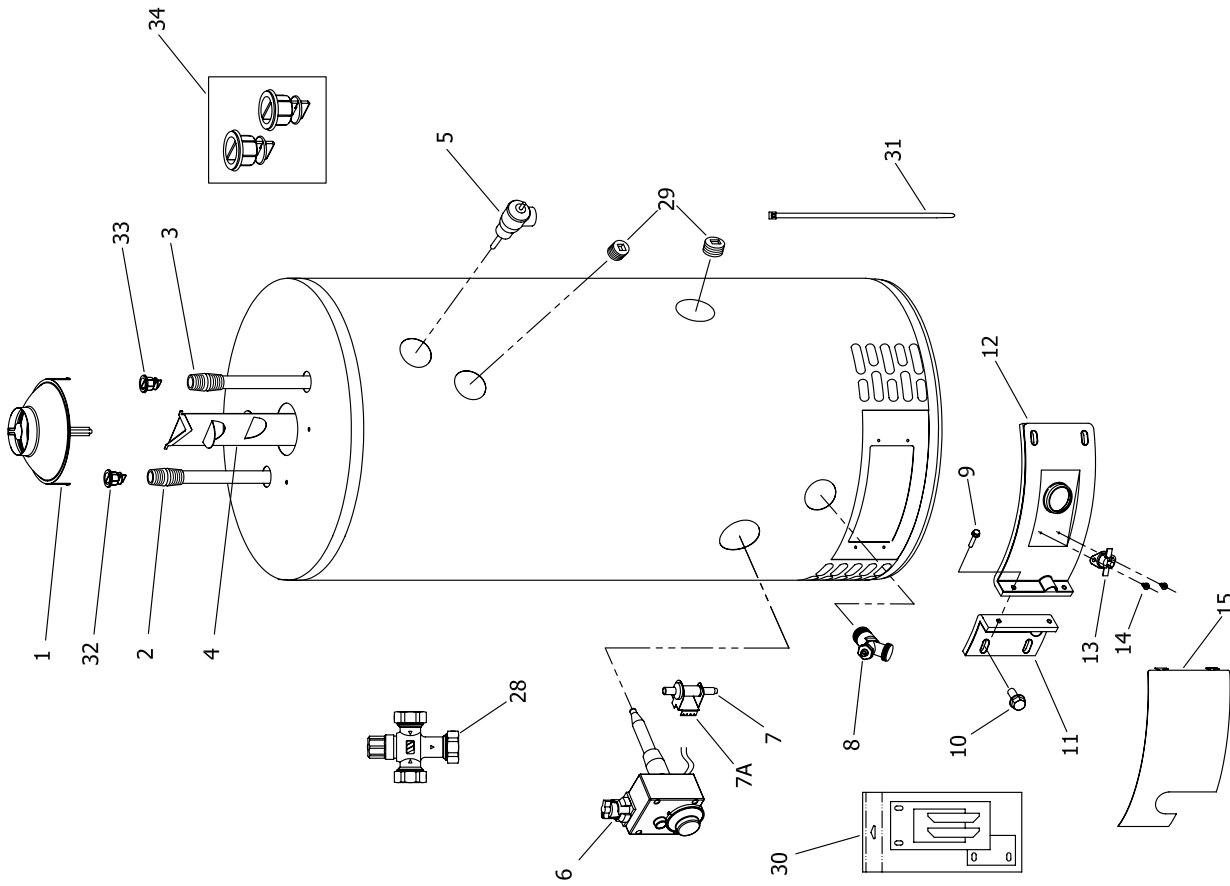
*Applies to all warranties
 **Inner door gasket kit recommended
 ***Ordering a complete burner assembly may increase delivery time. Please order the specific component required for the quickest delivery.
 ▲ Order with item 32
 ▲▲ Order with item 33



NATURAL GAS (BN) BURNER ASSEMBLY



LP GAS (SX) BURNER ASSEMBLY



LP GAS (SX) BURNER ASSEMBLY TO REPLACE LP GAS (CX) BURNER ASSEMBLY
ON ALL MODELS EXCEPT 75 & 100 GAL. MODELS

Item	Description	Model	Model	Model	Model	Model	Model
		M1XR403S*F(BN,CX,SX)	M2XR504T*F(BN,CX,SX)	M430T*F(BN,CX,SX)	M4403S*F(BN,CX,SX)	M440T*F(BN,CX,SX)	
1	Draft Hood	243-45787-00	243-33081-02-20	243-45787-00	243-45787-00	243-45787-00	243-45787-00
2	Hot Water Outlet Anode Magnesium▲	224-32731-81	224-32731-86	224-32731-81	224-32731-81	224-32731-81	224-32731-81
	Hot Water Outlet Aluminum▲	224-32999-31	224-32999-30	224-32999-31	224-32999-31	224-32999-31	224-32999-31
	Hot Water Outlet A420 Aluminum▲	224-45147-04	224-45147-01	224-45147-02	224-45147-04	224-45147-04	224-45147-04
3	Cold Water Inlet Dip Tube Polypropylene▲▲	229-39625-03	229-39625-18	229-39625-23	229-39625-03	229-39625-03	229-39625-25
	Cold Water Inlet Polysulfone (NC Code)▲▲	229-39628-03	229-39628-18	229-39628-26	229-39628-03	229-39628-03	229-39628-28
4	Flue Baffle	243-45223-00	243-44639-00	243-45223-00	243-45223-00	243-45223-00	243-45223-00
5	T&P Relief Valve	265-32920-01	230-40594-02	230-40594-02	230-40594-02	230-40594-02	230-40594-02
6	Gas Valve Natural Gas	265-46181-01	265-46181-04	265-46181-02	265-46181-02	265-46181-02	265-46181-02
	Gas Valve LP Gas	265-46182-01	265-46182-02	265-46182-02	265-46182-02	265-46182-02	265-46182-02
7	Piezo Igniter	239-43448-00	239-43448-00	239-43448-00	239-43448-00	239-43448-00	239-43448-00
7A	Piezo Bracket (White Rodgers)	239-46157-02	239-46157-02	239-46157-02	239-46157-02	239-46157-02	239-46157-02
	Piezo Bracket (Robertshaw)	239-43449-00	239-43449-00	239-43449-00	239-43449-00	239-43449-00	239-43449-00
8	Brass Drain Valve	265-42351-02	265-42351-02	265-42351-02	265-42351-02	265-42351-02	265-42351-02
9	Screw-#8-18 x 3/4 HWH	239-44195-00	239-44195-00	239-44195-00	239-44195-00	239-44195-00	239-44195-00
10	Screw-#10-12 x 3/4 HWH	239-44113-00	239-44113-00	239-44113-00	239-44113-00	239-44113-00	239-44113-00
11	Left Side Inner Door Complete	239-43968-18	239-43968-18	239-43968-14	239-43968-18	239-43968-18	239-43968-16
12	Nat. Gas Right Side Inner Door Complete	239-43963-07	239-43963-07	239-43963-02	239-43963-07	239-43963-07	239-43963-05
	LP Gas Right Side Inner Door Complete	239-43963-07	239-43963-07	239-43963-02	239-43963-07	239-43963-07	239-43963-04
13	Nat. Gas Resettable Thermal Switch	239-43676-02	239-43676-02	239-43676-03	239-43676-02	239-43676-02	239-43676-03
	LP Gas Resettable Thermal Switch	239-43676-02	239-43676-02	239-43676-03	239-43676-02	239-43676-02	239-43676-03
14	Screw-#6-20 x 3/8 PHCR	239-43967-00	239-43967-00	239-43967-00	239-43967-00	239-43967-00	239-43967-00
15	Outer Door	243-43962-00	243-43962-00	243-43962-00	243-43962-00	243-43962-00	243-43962-00
Natural Gas (BN) Burner Assembly							
16	Nat Gas Burner Assembly Complete**	265-47439-07-32	265-47439-07-27	265-47439-02-36	265-47439-07-32	265-47439-04-32	265-47439-04-32
17	Nat. Gas (BN) Burner**	228-42506-00	228-42506-00	228-42506-00	228-42506-00	228-42506-00	228-42506-00
18	Nat. Gas (BN) Main Burner Orifice**	234-41034-32	234-41034-27	234-41034-36	234-41034-32	234-41034-32	234-41034-32
	Nat. Gas (BN) High Altitude 2001 Ft. to 5000 Ft.**	234-41034-36	234-41034-29	234-41034-39	234-41034-36	234-41034-36	234-41034-36
	Nat. Gas (BN) High Altitude 5001 Ft. to 8000 Ft.**	234-41034-38	234-41034-30	234-41034-41	234-41034-38	234-41034-38	234-41034-36
	Nat. Gas (BN) High Altitude Over 8000 Ft.**	234-41034-38	234-41034-31	234-41034-43	234-41034-38	234-41034-38	234-41034-38
19	Nat. Gas Pilot Assembly**	233-46277-04	233-46277-04	233-46277-04	233-46277-04	233-46277-04	233-46277-04
20	Nat. Gas Pilot Orifice**	234-46502-05	234-46502-05	234-46502-05	234-46502-05	234-46502-05	234-46502-05
21	Thermocouple**	233-46501-15	233-46501-24	233-46501-15	233-46501-24	233-46501-15	233-46501-15
LP Gas (SX) Titanium Stabilized Stainless Steel Burner Assembly							
22	LP Gas Burner Assembly Complete**	265-47440-11-50	265-47440-12-43	265-47440-02-60	265-47440-11-50	265-47440-05-52	265-47440-05-52
23	LP Gas (SX) Burner**	228-46964-00	228-47000-00	228-46964-00	228-46964-00	228-46964-00	228-46964-00
24	LP Gas (SX) Main Burner Orifice**	234-47064-50	234-47064-43	234-47064-60	234-47064-50	234-47064-52	234-47064-52
	LP Gas (SX) High Altitude 2001 Ft. to 5000 Ft.**	234-47064-51	234-47064-46	234-47064-54	234-47064-51	234-47064-53	234-47064-53
	LP Gas (SX) High Altitude 5001 Ft. to 8000 Ft.**	234-47064-52	234-47064-47	234-47064-54	234-47064-52	234-47064-54	234-47064-54
	LP Gas (SX) High Altitude Over 8000 Ft.**	233-46278-03	233-46278-03	233-46278-03	233-46278-03	233-46278-03	233-46278-03
25	LP Gas Pilot Assembly**	234-46502-02	234-46502-02	234-46502-02	234-46502-02	234-46502-02	234-46502-02
26	LP Gas Pilot Orifice**	233-46501-15	233-46501-24	233-46501-15	233-46501-24	233-46501-15	233-46501-15
27	Thermocouple**	239-43740-01	239-43740-01	239-43740-01	239-43740-01	239-43740-01	239-43740-01
28	ASSE Approved Mixing Valve (Optional)	239-11638-00	239-11638-00	239-11638-00	239-11638-00	239-11638-00	239-11638-00
29	3/4 NPT Plug	239-44078-00	239-44078-00	239-44078-00	239-44078-00	239-44078-00	239-44078-00
30	Inner Door Gasket Kit	239-44328-00	239-44328-00	239-44328-00	239-44328-00	239-44328-00	239-44328-00
31	Wire Tie	239-45167-00	239-45167-00	239-45167-00	239-45167-00	239-45167-00	239-45167-00
32	Heat Trap Insert (Outlet)	239-45073-00	239-45073-00	239-45073-00	239-45073-00	239-45073-00	239-45073-00
33	Heat Trap Insert (Inlet)	265-45420-00	265-45420-00	265-45420-00	265-45420-00	265-45420-00	265-45420-00
34	Kit-Heat Trap Insert	265-45712-05	265-45712-12	265-45712-09	265-45712-11	265-45712-10	265-45712-10
-	LP to Natural Gas Conversion Kit (Norm Alt.)	265-45712-17	265-45712-24	265-45712-21	265-45712-23	265-45712-22	265-45712-22
-	LP to Natural Gas Conversion Kit (High Alt.)						

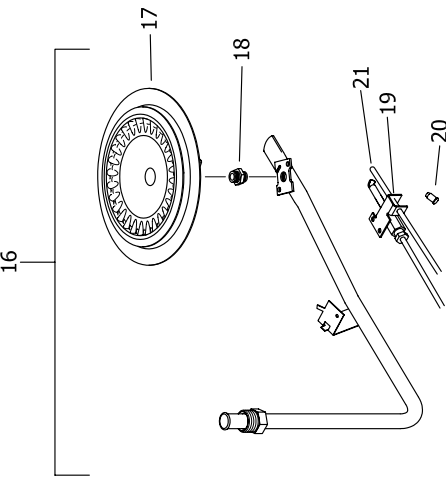
*Applies to all warranties

**Inner door gasket kit recommended

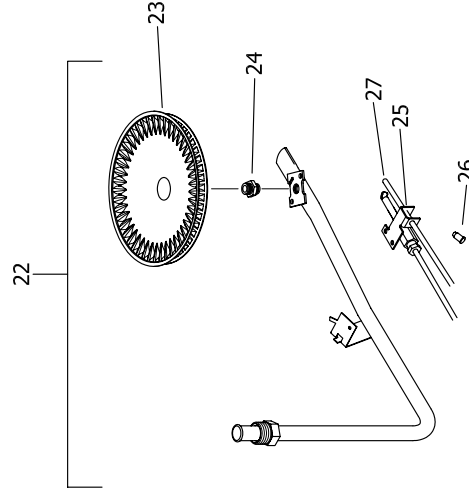
***Ordering a complete burner assembly may increase delivery time. Please order the specific component required for the quickest delivery.

▲ Order with item 32

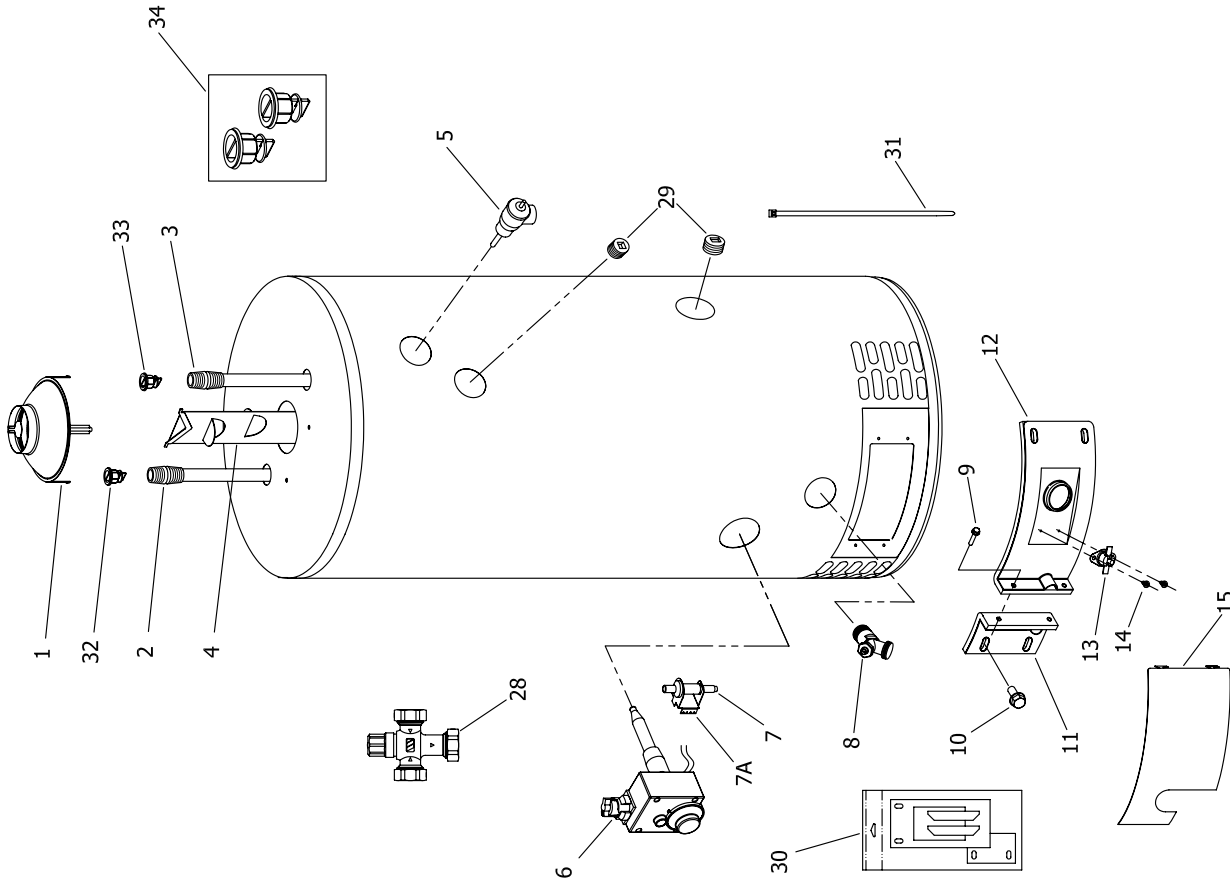
▲▲ Order with item 33



NATURAL GAS (BN) BURNER ASSEMBLY



LP GAS (SX) BURNER ASSEMBLY



LP GAS (SX) BURNER ASSEMBLY TO REPLACE LP GAS (CX) BURNER ASSEMBLY
ON ALL MODELS EXCEPT 75 & 100 GAL. MODELS

Item	Description	Model	Model	Model	Model	Model	Model
		M4503°F (BN, CX, SX)	M4601°F (BN, CX, SX)	M2XR65°F (BN, CX, SX)	50T65F (B, C, S) (N, X)	65T65F (B, C, S) (N, X)	
1	Draft Hood	243-45787-00	243-45787-00	243-33081-02-20	243-33081-02-20	243-33081-02-20	65T65F (B, C, S) (N, X)
2	Hot Water Outlet Anode Magnesium▲	224-32731-107	224-32731-86	224-32999-06	224-32731-83	224-32731-101	243-33081-02-20
	Hot Water Outlet Aluminum▲	224-32999-21	224-45147-02	224-32999-06	224-45147-01	224-32999-21	224-32999-06
3	Hot Water Outlet A420 Aluminum▲	224-45147-02	224-45147-02	224-45147-01	224-45147-01	224-45147-01	224-45147-01
	Cold Water Inlet Dip Tube Polypropylene▲▲	229-39625-22	229-39625-14	229-46398-07	229-39625-19	229-39625-19	229-39625-04
	Cold Water Inlet Tube Polypropylene▲▲	229-39628-21	229-39628-14	229-45092-04	229-39628-19	229-39628-19	229-39628-04
4	Flue Baffle	243-44705-00	243-42283-00	243-46752-00	243-41037-00	243-41037-00	243-46752-00
5	T&P Relief Valve	230-40594-02	230-40594-02	230-40594-02	230-40594-02	230-40594-02	230-40594-02
6	Gas Valve Natural Gas	265-46181-02	265-46181-02	265-46181-04	265-46367-02	265-46367-02	265-46367-02
	Gas Valve LP Gas	265-46182-02	265-46182-02	265-46182-02	265-46368-03	265-46368-03	265-46368-03
7	Piezo Igniter	239-43448-00	239-43448-00	239-43448-00	239-43448-00	239-43448-00	239-43448-00
7A	Piezo Bracket (White Rodgers)	239-46157-02	239-46157-02	239-46157-02	239-46157-02	239-46157-02	239-46157-02
	Piezo Bracket (Robertshaw)	239-43449-00	239-43449-00	239-43449-00	239-43449-00	239-43449-00	239-43449-00
8	Brass Drain Valve	265-42351-02	265-42351-02	265-42351-02	265-42351-02	265-42351-02	265-42351-02
9	Screw-#8-18 x 3/4 HWH	239-44195-00	239-44195-00	239-44195-00	239-44195-00	239-44195-00	239-44195-00
10	Screw-#10-12 x 3/4 HWH	239-44113-00	239-44113-00	239-44113-00	239-44113-00	239-44113-00	239-44113-00
11	Left Side Inner Door Complete	239-43968-18	239-43968-20	239-43968-20	239-43968-18	239-43968-20	239-43968-20
12	Nat. Gas Right Side Inner Door Complete	239-43963-07	239-43963-12	239-43963-09	239-43963-07	239-43963-09	239-43963-09
	LP Gas Right Side Inner Door Complete	239-43963-07	239-43963-13	239-43963-12	239-43963-07	239-43963-12	239-43963-12
13	Nat. Gas Resettable Thermal Switch	239-43676-02	239-43676-02	239-43676-01	239-43676-02	239-43676-02	239-43676-01
	LP Gas Resettable Thermal Switch	239-43676-02	239-43676-03	239-43676-02	239-43676-02	239-43676-02	239-43676-02
14	Screw-#6-20 x 3/8 PHCR	239-43967-00	239-43967-00	239-43967-00	239-43967-00	239-43967-00	239-43967-00
15	Outer Door	243-43962-00	243-43962-00	243-43962-00	243-43962-00	243-43962-00	243-43962-00
Natural Gas (BN) Burner Assembly							
16	Nat Gas Burner Assembly Complete**	265-47439-07-32	265-47439-10-32	265-47439-10-27	265-47439-07-27	265-47439-10-27	265-47439-10-27
17	Nat. Gas (BN) Burner**	228-42506-00	228-42506-00	228-42506-00	228-42506-00	228-42506-00	228-42506-00
18	Nat. Gas (BN) Main Burner Orifice**	234-41034-32	234-41034-32	234-41034-27	234-41034-27	234-41034-27	234-41034-27
	Nat. Gas (BN) High Altitude 2001 Ft. to 5000 Ft.**	234-41034-36	234-41034-36	234-41034-29	234-41034-29	234-41034-29	234-41034-29
	Nat. Gas (BN) High Altitude 5001 Ft. to 8000 Ft.**	234-41034-38	234-41034-38	234-41034-30	234-41034-30	234-41034-30	234-41034-30
	Nat. Gas (BN) High Altitude Over 8000 Ft.**	234-41034-38	234-41034-38	234-41034-31	234-41034-31	234-41034-31	234-41034-31
19	Nat. Gas Pilot Assembly**	233-46277-04	233-46277-04	233-46277-04	233-46277-04	233-46277-04	233-46277-04
	Nat. Gas Pilot Orifice**	234-46502-05	234-46502-05	234-46502-05	234-46502-05	234-46502-05	234-46502-05
20	Nat. Gas Pilot Orifice**	233-46501-24	233-46501-24	233-46501-24	233-46501-24	233-46501-24	233-46501-24
21	Thermocouple**	265-47440-11-51	265-47440-17-50	265-47440-18-43	265-47440-12-43	265-47440-12-43	265-47440-18-43
LP Gas (SX) Titanium Stabilized Stainless Steel Burner Assembly							
22	LP Gas Burner Assembly Complete***	228-46964-00	228-46964-00	228-47000-00	228-47000-00	228-47000-00	228-47000-00
23	LP Gas (SX) Burner**	234-47064-51	234-47064-50	234-47064-43	234-47064-43	234-47064-43	234-47064-43
24	LP Gas (SX) Main Burner Orifice**	234-47064-53	234-47064-53	234-47064-46	234-47064-46	234-47064-46	234-47064-46
	LP Gas (SX) High Altitude 2001 Ft. to 5000 Ft.**	234-47064-53	234-47064-52	234-47064-47	234-47064-47	234-47064-47	234-47064-47
	LP Gas (SX) High Altitude 5001 Ft. to 8000 Ft.**	234-47064-54	234-47064-54	234-47064-47	234-47064-47	234-47064-47	234-47064-47
	LP Gas (SX) High Altitude Over 8000 Ft.**	233-46278-03	233-46278-03	233-46278-03	233-46278-03	233-46278-03	233-46278-03
25	LP Gas Pilot Assembly**	234-46502-02	234-46502-02	234-46502-02	234-46502-02	234-46502-02	234-46502-02
26	LP Gas Pilot Orifice**	233-46501-24	233-46501-24	233-46501-24	233-46501-24	233-46501-24	233-46501-24
27	Thermocouple**	239-43740-01	239-43740-01	239-43740-01	239-43740-01	239-43740-01	239-43740-01
28	ASSE Approved Mixing Valve (Optional)	---	---	---	---	---	---
29	3/4 NPT Plug	239-44078-00	239-44078-00	239-44078-00	239-44078-00	239-44078-00	239-44078-00
30	Inner Door Gasket Kit	239-44328-00	239-44328-00	239-44328-00	239-44328-00	239-44328-00	239-44328-00
31	Wire Tie	239-45167-00	239-45167-00	239-45167-00	239-45167-00	239-45167-00	239-45167-00
32	Heat Trap Insert (Outlet)	239-45073-00	239-45073-00	239-45073-00	239-45073-00	239-45073-00	239-45073-00
33	Heat Trap Insert (Inlet)	265-45420-00	265-45420-00	265-45420-00	265-45420-00	265-45420-00	265-45420-00
34	Kit-Heat Trap Insert	265-45712-11	265-45712-29	265-45712-47	265-45712-25	265-45712-25	265-45712-48
-	LP to Natural Gas Conversion Kit (Norm Alt.)	265-45712-23	265-45712-30	265-45712-49	265-45712-26	265-45712-26	265-45712-50
-	LP to Natural Gas Conversion Kit (High Alt.)						

*Applies to all warranties

**Inner door gasket kit recommended

***Ordering a complete burner assembly may increase delivery time. Please order the specific component required for the quickest delivery.

▲ Order with item 32

▲▲ Order with item 33



BRADFORD WHITE®

W A T E R H E A T E R S

Ambler, PA

For U.S. and Canada field service,
contact your professional installer or
local Bradford White sales representative.

Sales/800-523-2931
Fax/215-641-1670
Parts Fax/215-641-2180

Technical Support/800-334-3393
Fax/269-795-1089

Warranty/800-531-2111
Fax/269-795-1089

International:
Telephone/215-641-9400
Telefax/215-641-9750



BRADFORD WHITE-CANADA® INC.

Mississauga, ON

Sales/866-690-0961
905-238-0100

Fax/905-238-0105

Technical Support/800-334-3393

Email

parts@bradfordwhite.com
techserv@bradfordwhite.com

www.bradfordwhite.com

Free Manuals Download Website

<http://myh66.com>

<http://usermanuals.us>

<http://www.somanuals.com>

<http://www.4manuals.cc>

<http://www.manual-lib.com>

<http://www.404manual.com>

<http://www.luxmanual.com>

<http://aubethermostatmanual.com>

Golf course search by state

<http://golfingnear.com>

Email search by domain

<http://emailbydomain.com>

Auto manuals search

<http://auto.somanuals.com>

TV manuals search

<http://tv.somanuals.com>