

## Light Duty Commercial Atmospheric Vent Energy Saver Gas Water Heater



Photo is of  
65T-65FB-3N

### The Light Duty FVIR Defender Safety System<sup>®</sup> Models Feature:

- **Advanced ScreenLok<sup>®</sup> Technology Flame Arrestor Design**—Flame arrestor is designed to prevent ignition of flammable vapor outside of the water heater.
- **Resettable Thermal Switch**—Proven and reliable bimetallic switch prevents burner and pilot operation in case of ongoing flammable vapor burn inside of the combustion chamber or restricted air flow.
- **Piezo Igniter**—Easy and quick lighting of the pilot burner by push button.
- **Pedestal Base**—Rugged and durable base allows easy transport, positioning, and provides corrosion resistant contact with floor.
- **Maintenance Free**—No regular cleaning of air inlet openings or flame arrestor is required under normal conditions.
- **Sight Window**—Offers a view into the combustion chamber to observe the operation of the pilot and burner.
- **Factory installed Hydrojet<sup>®</sup> Total Performance System**—Cold water inlet sediment reducing device helps prevent sediment build up in tank. Increases first hour delivery of hot water while minimizing temperature build up in tank.
- **Vitraglas<sup>®</sup> Lining**—Bradford White water heater tanks are protected from the corrosive effects of hot water by an exclusive ceramic porcelain-like coating. The Bradford White high silica Vitraglas<sup>®</sup> lining provides a tough interior surface for our water heater tanks.
- **Precise Temperature Control**—Adjustable thermostat to any temperature up to 180°F. An auto-reset Energy Cut-Off (ECO) shuts off all gas in the event of an overheat condition (Not recommended for 180°F sanitizing).
- **Side Connections**—3/4" NPT tappings allow easy connections for space heating applications (potable water only).
- **2" Non-CFC Foam Insulation**—Covers the sides and top of tank, reducing the amount of heat loss. This results in less energy consumption, improved operation efficiencies and jacket rigidity.
- **Water Connections**—3/4" NPT factory installed true dielectric fittings extend water heater life and eases installation.
- **Factory Installed Heat Traps**—Design incorporates a flexible disk that reduces heat loss in piping and eliminates the potential for noise generation.
- **Protective Magnesium Anode Rod**—Provides added protection against corrosion for long trouble free service.
- **"Snap Lock" Draft Diverter.**
- **Flue Baffle**—Maximizes the amount of heat absorbed by the tank and reduces heat loss during standby periods.
- **Steel Tank**—Heavy gauge steel automatically formed, rolled and welded.
- **T&P Relief Valve**—Installed.
- **Brass Drain Valve.**
- **Design Certified by CSA International (formerly AGA/CGA).**



### 3 or 5-Year Limited Tank Warranties / 1-Year Limited Warranty on Component Parts.

For more information on warranty, please visit [www.bradfordwhite.com](http://www.bradfordwhite.com)

For products installed in USA, Canada and Puerto Rico. Some states do not allow limitations on warranties. See complete copy of the warranty included with the heater.

MANUFACTURED UNDER ONE OR MORE OF THE FOLLOWING U.S. PATENTS: 5,954,492; 5,761,379; 5,943,984; 5,081,696; 5,988,117; 6,142,216; 5,199,385; 5,574,822; 5,372,185; 5,485,879; 5,277,171; (B1)5,341,770; 5,660,165; 5,596,952; 5,682,666; 4,904,428; 5,023,031; 5,000,893; 4,669,448; 4,829,983; 4,808,356; 5,115,767; 5,092,519; 5,052,346; 4,416,222; 4,628,184; 4,861,968; 4,672,919; Re. 34,534; 7,270,087 B2. OTHER U.S. AND FOREIGN PATENT APPLICATIONS PENDING. CURRENT CANADIAN PATENTS: 1,272,914; 1,280,043; 1,289,832; 2,045,862; 2,112,515; 2,108,186; 2,107,012; 2,092,105; 2,409,271. Defender Safety System<sup>®</sup>, ScreenLok<sup>®</sup>, Vitraglas<sup>®</sup> and Hydrojet<sup>®</sup> are registered trademarks of Bradford White<sup>®</sup> Corporation.

## Light Duty Energy Saver Models

NATURAL GAS AND LIQUID PROPANE GAS

Meet or exceed ASHRAE 90.1b (current standard) C.E.C. Listed  
80% Thermal Efficiency

Model Number	Capacity		Recovery at 100°F Rise*		A Floor to Flue Conn. in.	B Jacket Dia. in.	C Vent Size in.	D Floor to T&P Conn. in.	E Floor to Gas Conn. in.	F Floor to Space Htg. Return in.	G Floor to Space Htg. Outlet in.	H Floor to Water Conn. in.	K Depth in.	Approx. Shipping Weight lbs.				
	U.S. Gal.	Imp. Gal.	Nat. BTU/Hr. Input	LP BTU/Hr. Input											Nat. U.S. Imp. GPH	LP U.S. Imp. GPH		
50T-65FB-3N	48	40	65,000	61,000	63	53	59	49	59 <sup>1</sup> / <sub>4</sub>	22	4	50	13	13 <sup>1</sup> / <sub>2</sub>	50	57	26	164
65T-65FB-3N	65	54	65,000	63,000	63	53	61	51	63	24	4	53 <sup>1</sup> / <sub>2</sub>	12 <sup>3</sup> / <sub>16</sub>	13 <sup>1</sup> / <sub>2</sub>	53 <sup>1</sup> / <sub>2</sub>	60 <sup>3</sup> / <sub>4</sub>	28	205

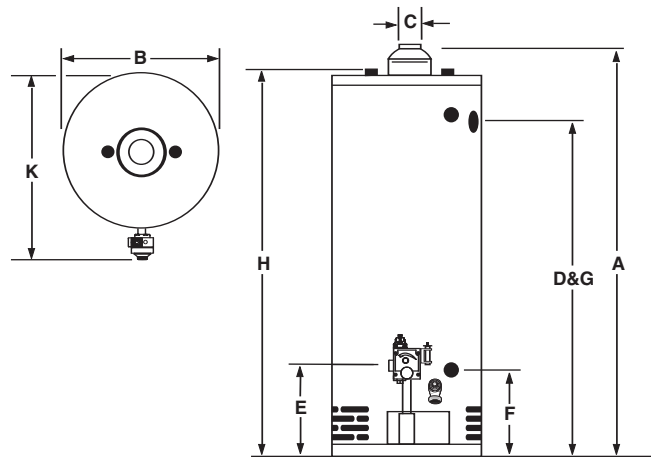
Model Number	Capacity		Recovery at 56°C Rise*		A Floor to Flue Conn. mm.	B Jacket Dia. mm.	C Vent Size mm.	D Floor to T&P Conn. mm.	E Floor to Gas Conn. mm.	F Floor to Space Htg. Return mm.	G Floor to Space Htg. Outlet mm.	H Floor to Water Conn. mm.	K Depth mm.	Approx. Shipping Weight kg.	
	Liters	Liters	Nat. kW Input	LP kW Input											Nat. Liters/Hour
50T-65FB-3N	182	19.1	17.9	238	223	1550	559	102	1270	330	343	1270	1448	660	74
65T-65FB-3N	246	19.1	18.4	238	231	1600	609	102	1359	309	342	1359	1543	711	93

Propane models feature a Titanium Stainless Steel propane burner. For Propane (LP) models change suffix "B" to "S" and "N" to "X".

For 5 year models, change suffix "3" to "5".

\*Based on manufacturers rated recovery efficiency.

NSF kits available.



### Meets NAECA Requirements

#### General

All gas water heaters are certified at 300 PSI test pressure (2068 kPa) and 150 PSI working pressure (1034 kPa). All potable water connections are 3/4" NPT (19mm) on 8" (203mm) centers. All gas connections 1/2" (13mm).

All models design certified by CSA International (formerly AGA/CGA), ANSI standard Z-21.10.1 and peak performance rated.

**Dimensions and specifications subject to change without notice in accordance with our policy of continuous product improvement.**

#### Suitable for Water (Potable) Heating and Space Heating.

Toxic chemicals, such as those used for boiler treatment, shall NEVER be introduced into this system. This unit may NEVER be connected to any existing heating system or component(s) previously used with a non-potable water heating appliance.



For U.S. and Canada field service, contact your professional installer or local Bradford White sales representative.

Sales 800-523-2931 • Fax 215-641-1670 / Technical Support 800-334-3393 • Fax 269-795-1089 • Warranty 800-531-2111 • Fax 269-795-1089

International: Telephone 215-641-9400 • Telefax 215-641-9750 / [www.bradfordwhite.com](http://www.bradfordwhite.com)

**BRADFORD WHITE-CANADA** INC. Sales / Technical Support 866-690-0961 / 905-238-0100 • Fax 905-238-0105 / [www.bradfordwhite.com](http://www.bradfordwhite.com)

## Built to be the Best™

©2008, Bradford White Corporation. All rights reserved.

## Free Manuals Download Website

<http://myh66.com>

<http://usermanuals.us>

<http://www.somanuals.com>

<http://www.4manuals.cc>

<http://www.manual-lib.com>

<http://www.404manual.com>

<http://www.luxmanual.com>

<http://aubethermostatmanual.com>

Golf course search by state

<http://golfingnear.com>

Email search by domain

<http://emailbydomain.com>

Auto manuals search

<http://auto.somanuals.com>

TV manuals search

<http://tv.somanuals.com>