



RESIDENTIAL GAS REPLACEMENT PARTS LIST

Combi2™ TTW[®] Gas Water Heater

“CDW2TW” Series

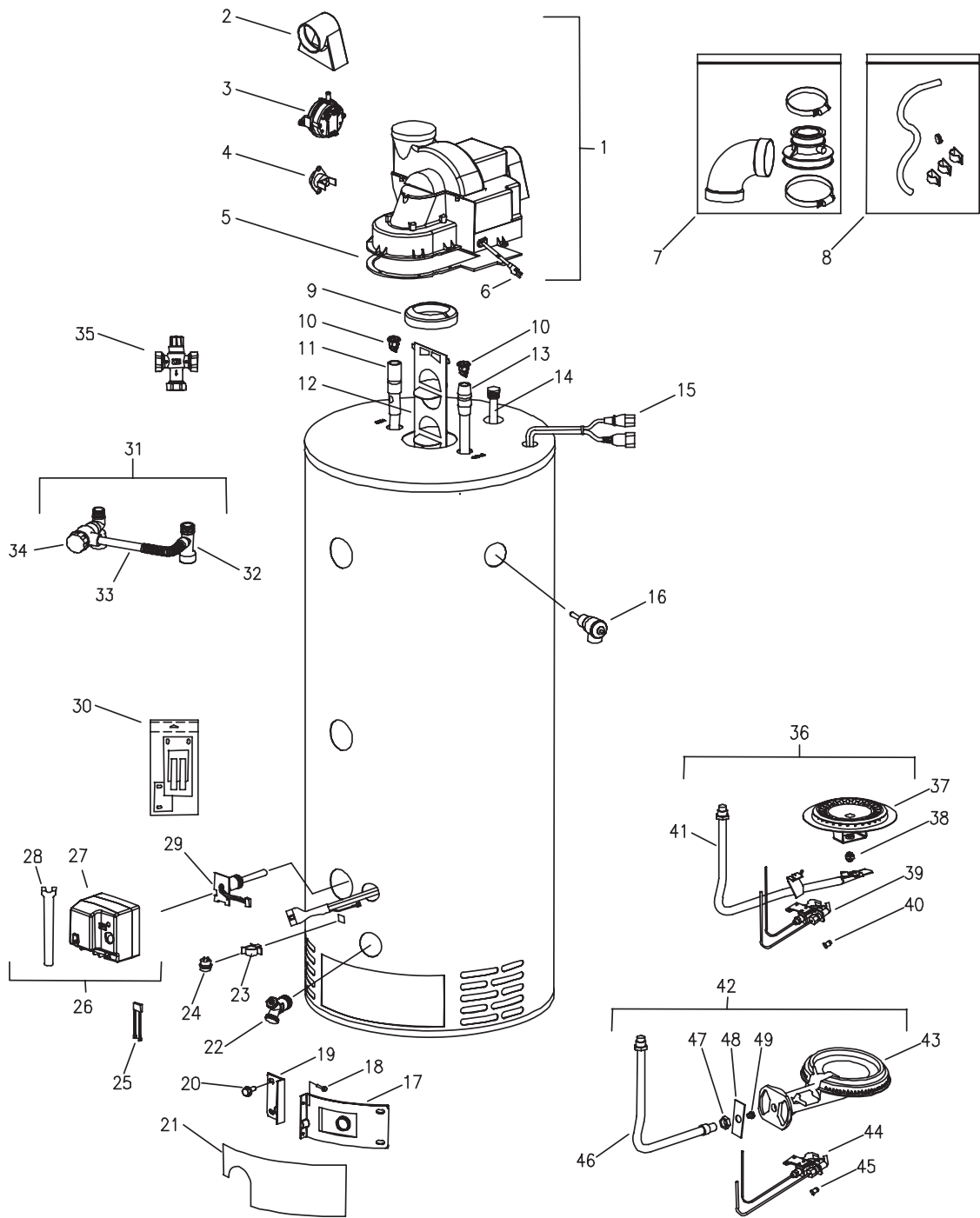


DEFENDER
SAFETY SYSTEM[®]

Effective: September, 2006
ECO 6885

**NOTE: BOTH MODEL AND
SERIAL NUMBERS ARE
REQUIRED FOR ORDERING
REPLACEMENTS PARTS.**

Specification subject to
change without notice.



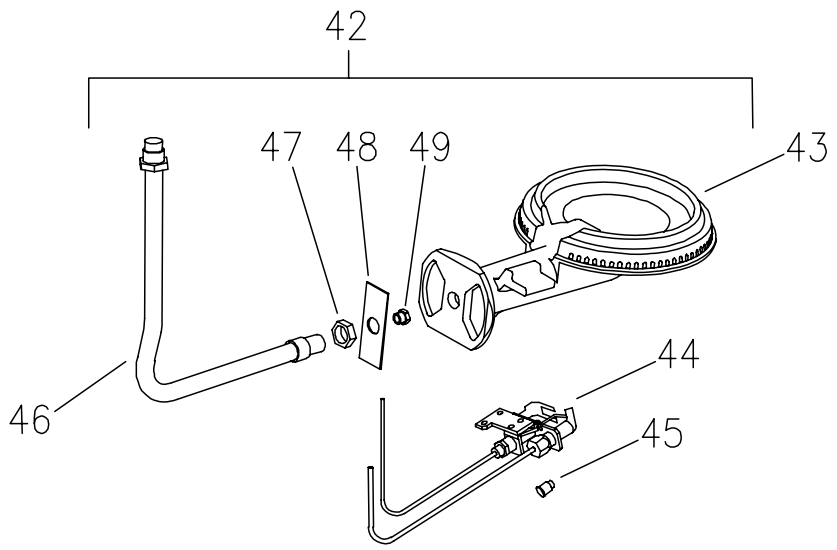
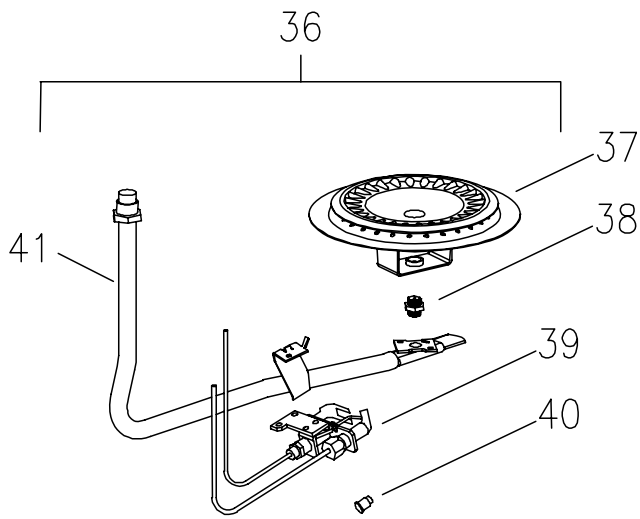
CDW2TW50T Series

Item	Description	Model CDW2TW50T10F(BN,CX)
1	Blower Complete (normal altitude)	239-45583-00
	Blower Complete (High altitude)	243-45986-00
2	Air Mixing Inlet	239-45868-00
3	Pressure Switch (normal altitude)	239-45867-02
	Pressure Switch (high altitude)	239-45867-04
4	Blower Temperature Switch	239-45865-00
5	Blower Gasket	239-45866-00
6	Blower Power Cord	239-45990-00
7	3" Vent Adaptor with Vent Terminal	239-46264-00
8	Optional Condensate Hose Kit	239-45875-00
9	Flue Reducer	243-42572-00
10	Heat Trap Insert	239-45167-00
11	Hot Water Outlet Anode (Aluminum)***	224-32999-30
12	Flue Baffle	239-45373-00
13	Cold Water Inlet Dip Tube***	229-45092-01
14	Plug Type Anode (Aluminum)	224-38508-03
15	Blower Harness	239-45617-02
16	T&P Valve	230-40594-02
17	Right Side Inner Door	239-45642-18
18	Screw #8-15 x 3/4	239-44195-00
19	Left side Inner door	239-43968-18
20	Screw #10-12 x 3/4	239-44113-00
21	Outer Door	243-43962-00
22	Brass Drain Valve	265-42351-02
23	Flammable Vapor Sensor Clip	239-45648-00
24	Flammable Vapor Sensor	239-45560-00
25	Sensor Harness	239-45620-00
26	(Nat. Gas) Kit- Gas Control Valve w/Service Tool	265-45613-02
	(LP Gas) Kit- Gas Control Valve w/Service Tool	265-45614-02
27	Nat. Gas Control	222-45613-02
	LP Gas Control	222-45614-02
28	Gas Control Service Tool	239-45991-00
29	Thermal Well	239-45651-02
30	Kit-Inner Door Gasket	239-44078-00
31	Kit-Integrated Mixing Device	239-46225-01
32	Inlet Tee	239-45632-00
33	Flexible Connector	239-46347-02
34	Outlet Mixing Device	239-45631-00
35	Optional ASSE Approved Mixing Device	239-43740-01

*Inner door gasket kit recommended

**Ordering a complete burner assembly may increase delivery time. Please order the specific component required for the quickest delivery.

***Order with item 10.



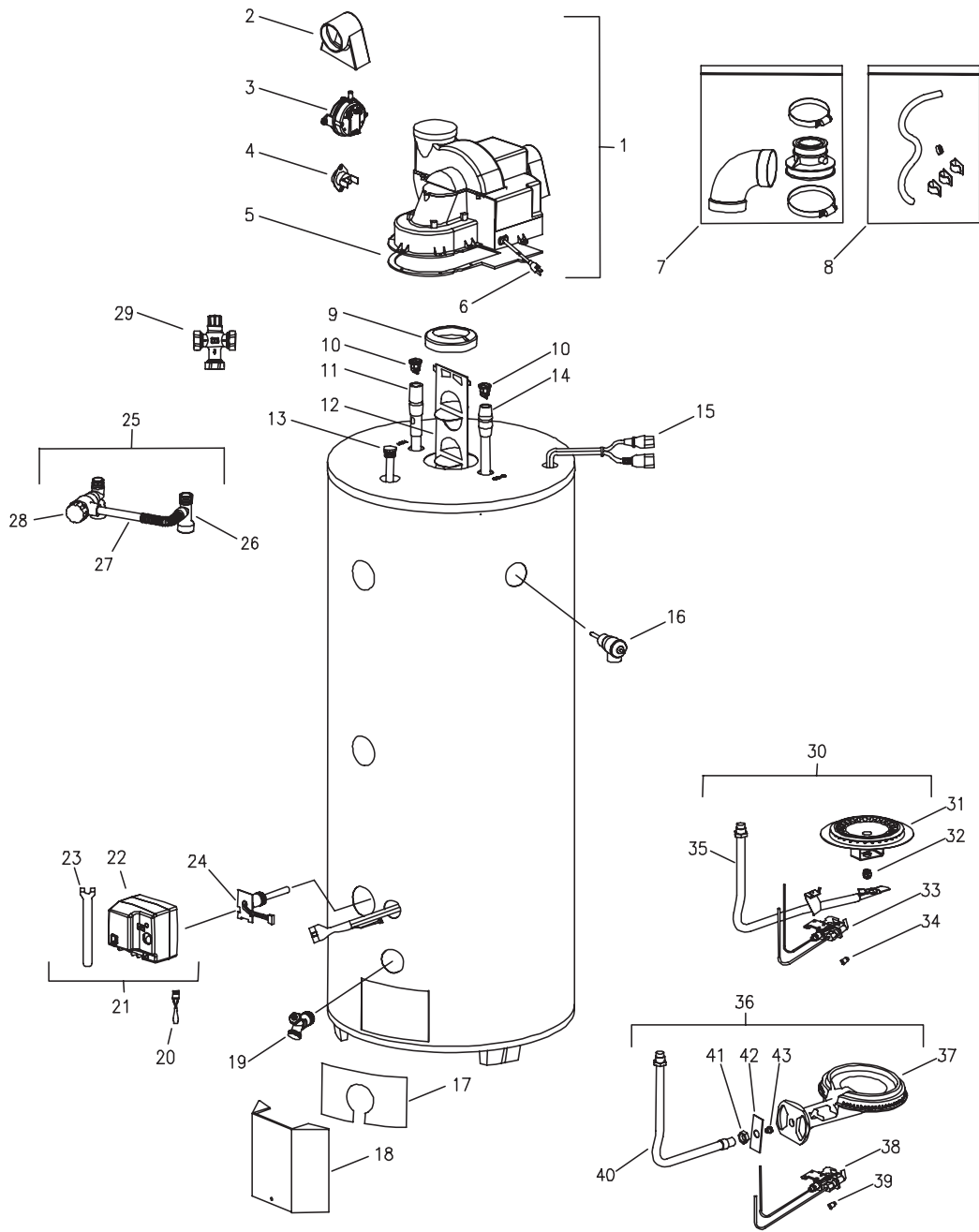
CDW2TW50T Series

Item	Description	Model
		CDW2TW50T10F(BN,CX)
36	Nat Gas Burner Assembly Complete**	265-45652-02-26
37	Nat. Gas BN Burner**	228-42506-00
38	Nat. Gas Main Burner Orifice*	234-41034-26
	Nat. Gas High Altitude 2000 Ft. to 5000 Ft.*	234-41034-29
	Nat. Gas High Altitude 5000 Ft. to 8000 Ft.*	234-41034-30
	Nat. Gas High Altitude Over 8000 Ft.*	234-41034-31
39	Nat. Gas Pilot Assembly*	233-45653-01
40	Nat. Gas Pilot Orifice*	234-45869-01
41	Nat Gas Feedline	233-45615-02
42	LP Gas Burner Assembly Complete**	265-45655-02-43
43	LP Gas Cast Iron Burner*	228-37743-00
44	LP Gas Pilot Assembly*	233-45653-03
45	LP Gas Pilot Orifice*	234-45869-02
46	LP Gas Feed Line*	233-45616-02
47	Air Shutter Nut*	239-18197-00
48	Air Shutter*	239-35466-00
49	LP Gas Main burner Orifice	234-35928-43
	LP Gas High Altitude 2000 Ft. to 5000 Ft.*	234-35928-44
	LP Gas High Altitude 5000 Ft. to 8000 Ft.*	234-35928-47
	LP Gas High Altitude Over 8000 Ft.*	234-35928-47

*Inner door gasket kit recommended

**Ordering a complete burner assembly may increase delivery time. Please order the specific component required for the quickest delivery.

***Order with item 10.



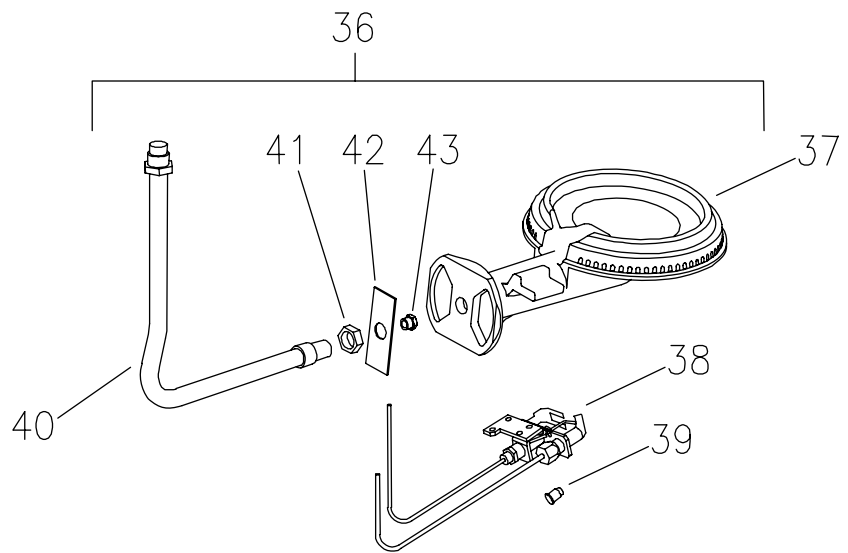
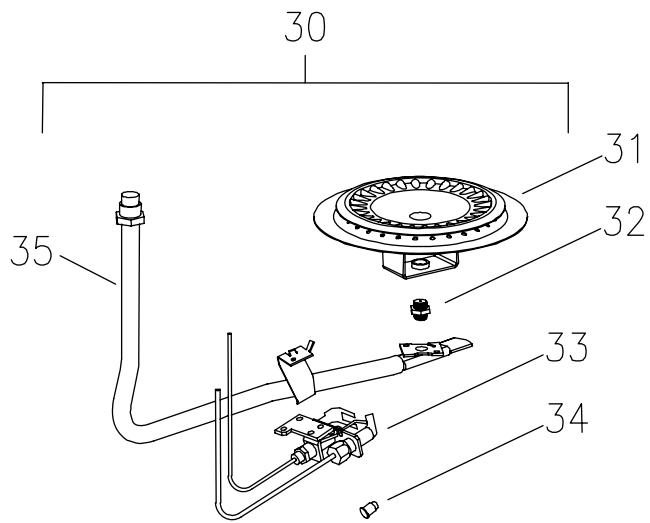
CDW2TW75T Series

Item	Description	Model CDW2TW75T10(BN,CX)
1	Blower Complete (normal altitude)	239-45583-00
	Blower Complete (High altitude)	243-45986-00
2	Air Mixing Inlet	239-45868-00
3	Pressure Switch (normal altitude)	239-45867-02
	Pressure Switch (high altitude)	239-45867-04
4	Blower Temperature Switch	239-45865-00
5	Blower Gasket	239-45866-00
6	Blower Power Cord	239-45990-00
7	3" Vent Adaptor with Vent Terminal	239-46264-00
8	Optional Condensate Hose Kit	239-45875-00
9	Flue Reducer	243-42572-00
10	Heat Trap Insert	239-45167-00
11	Hot Water Outlet Anode***	224-32999-21
12	Flue Baffle	239-45373-00
13	Plug Type Anode	224-38508-03
14	Cold Water Inlet Dip Tube***	229-39628-15
15	Blower Harness	239-45617-02
16	T&P Valve	230-40594-02
17	Inner Door	243-39207-00
18	Outer Door	243-37177-00
19	Brass Drain Valve	265-42351-02
20	Harness Simulated Resistive Device	239-45949-00
21	(Nat. Gas) Kit- Gas Control Valve w/Service Tool	265-45613-02
	(LP Gas) Kit- Gas Control Valve w/Service Tool	265-45614-02
22	Nat. Gas Control	222-45613-02
	L.P. Gas Control	222-45614-02
23	Gas Control Service Tool	239-45991-00
24	Thermal Well	239-45651-02
25	Kit integrated Mixing Device	239-46225-01
26	Inlet Tee	239-45632-00
27	Flexible Connector	239-46347-02
28	Outlet Mixing Device	239-45631-00
29	Optional ASSE Approved Mixing Device	239-43740-01

*Inner door gasket kit recommended

**Ordering a complete burner assembly may increase delivery time. Please order the specific component required for the quickest delivery.

***Order with item 10.



CDW2TW75T Series

Item	Description	Model
		CDW2TW75T10(BN,CX)
30	Nat Gas Burner Assembly Complete**	265-45652-03-21
31	Nat. Gas BN Burner**	228-42506-00
32	Nat. Gas Main Burner Orifice*	234-41034-21
	Nat. Gas High Altitude 2000 Ft. to 5000 Ft.*	234-41034-29
	Nat. Gas High Altitude 5000 Ft. to 8000 Ft.*	234-41034-31
	Nat. Gas High Altitude Over 8000 Ft.*	234-41034-21
33	Nat. Gas Pilot Assembly*	233-45653-02
34	Nat. Gas Pilot Orifice*	234-45869-01
35	Nat Gas Feedline	233-46370-01
36	LP Gas Burner Assembly Complete**	265-45655-03-41
37	LP Gas Cast Iron Burner*	228-14173-00
38	LP Gas Pilot Assembly*	233-45653-04
39	LP Gas Pilot Orifice*	234-45869-02
40	LP Gas Feed Line*	233-46371-01
41	Air Shutter Nut*	239-18197-00
42	Air Shutter*	239-35466-00
43	LP Gas Main burner Orifice	234-35928-41
	LP Gas High Altitude 2000 Ft. to 5000 Ft.*	234-35928-44
	LP Gas High Altitude 5000 Ft. to 8000 Ft.*	234-35928-44
	LP Gas High Altitude Over 8000 Ft.*	234-35928-45

*Inner door gasket kit recommended

**Ordering a complete burner assembly may increase delivery time. Please order the specific component required for the quickest delivery.

***Order with item 10.



BRADFORD WHITE®

C O R P O R A T I O N

Ambler, PA

For U.S. and Canada field service,
contact your professional installer or
local Bradford White sales representative.

Sales/800-523-2931

Fax/215-641-1670

Application & Sizing/800-523-2931

Fax/215-641-1612

Technical Support/800-334-3393

Fax/269-795-1089

Warranty/800-531-2111

Fax/269-795-1089

International:

Telephone/215-641-9400

Telefax/215-641-9750



BRADFORD WHITE-CANADA® INC.

Mississauga, ON

Sales/Technical Support

866-690-0961

905-238-0100

Fax/905-238-0105

Email

parts@bradfordwhite.com

techserv@bradfordwhite.com

www.bradfordwhite.com

www.bradfordwhitecanada.com

Free Manuals Download Website

<http://myh66.com>

<http://usermanuals.us>

<http://www.somanuals.com>

<http://www.4manuals.cc>

<http://www.manual-lib.com>

<http://www.404manual.com>

<http://www.luxmanual.com>

<http://aubethermostatmanual.com>

Golf course search by state

<http://golfingnear.com>

Email search by domain

<http://emailbydomain.com>

Auto manuals search

<http://auto.somanuals.com>

TV manuals search

<http://tv.somanuals.com>