



BRADFORD WHITE®

CombiCor® TTW®

Residential Energy Saver Power Vent CombiCor® Direct-Fired Gas Water Heater System

Features:



Bradford White is ISO registered to the 9001 standard.

- **Power vented for positive exhaust during main burner operation**—the TTW2 uses a specially designed assembly that blows exhaust gases directly out of the building, eliminating the need for conventional chimneys or expensive flue systems.
- **Electronic ignition**—electronic ignition eliminates the constant burning pilot used on other water heaters. This device results in savings of pilot gas during stand-by periods. (115V AC required to heater). Ignition system operates off of 24 volts.
- **3" PVC, ABS and CPVC (76mm) vent**—the water heater can be vented horizontally or vertically with 3" (76 mm) PVC, ABS, CPVC for lengths up to 30 feet (9.1 m) with (3) 90° elbows. (45 equivalent feet) (13.7 m).
- **4" PVC, ABS and CPVC (102mm) vent**—the water heater can be vented horizontally or vertically with 4" (102mm) PVC, ABS, CPVC for lengths up to 60 feet (18m) with (3) 90° elbows. (75 equivalent feet) (23m).
- **Vitraglas® lined tank**—Bradford White water heater tanks are protected from the corrosive effects of hot water by an exclusive ceramic porcelain-like coating. The Bradford White high silica Vitraglas® lining provides a tough interior surface for our water heater tanks.
- **Anti-scald device**—supplied with unit to help prevent injury due to scalding.
- **Protective magnesium rod**—provides added protection against corrosion for long trouble-free service.
- **Factory installed dielectric waterway fittings**—all heaters equipped with special water heater nipples for longer life.
- **2" Non-CFC foam insulation**—covers the sides and top of tank to save energy by retarding loss of heat. Also increases jacket rigidity.
- **Heat exchanger - UltraCoil® Heat Transfer System**—dielectrically isolated, double wall type consisting of a highly conductive material with an NSF approved Polyethylene (PEX) coating. Also, incorporates two monofilament channels between the walls for leak detection purposes. Leak detection hole is located at top of unit on both heat exchanger connections.
- **Fully automatic controls**—fast acting surface-mount thermostat for automatic temperature control. Built-in energy cut-off switch prevents abnormally high water temperature for extra safety. Combination gas valve/electronic module has built-in gas pressure regulation and electronic circuit controls and operates off 24 volts.
- **T&P relief valve included.**
- **Brass drain valve.**
- **Flue baffle**—designed to maximize the amount of heat absorbed in the lower portion of tank. Reduces air movement in the heater during standby periods to retard heat loss up the flue.
- **Ten year limited warranty on steel tank and heat exchanger**—heavy gauge steel automatically formed, rolled and welded to assure a continuous seam for glass lining.
- **Six year limited warranty on parts.**
- **Design certified by CSA International (formerly AGA and CGA)**

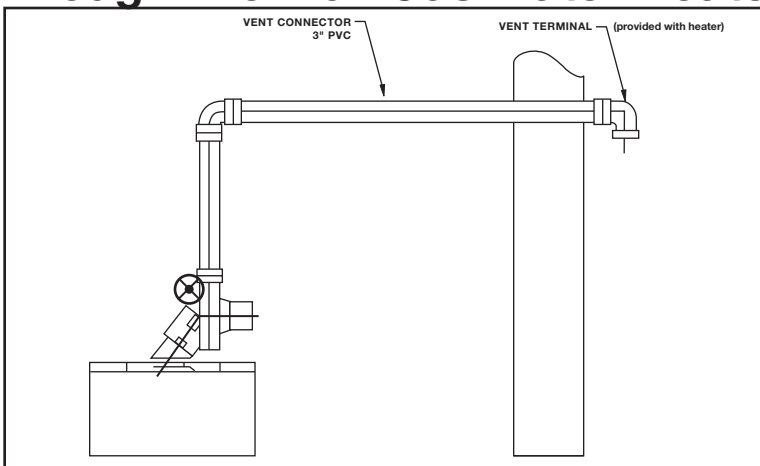
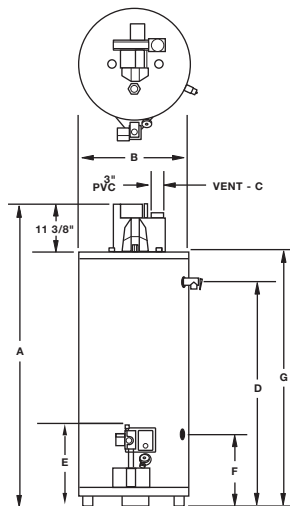
MANUFACTURED UNDER ONE OR MORE OF THE FOLLOWING U.S. PATENTS:

5,954,492; 5,761,379; 5,943,984; 5,081,696; 5,988,117; 6,142,216; 5,199,385; 6,684,821; 5,574,822; 5,372,185; 5,485,879; 5,277,171; (B1)5,341,770; 5,660,165; 5,596,952; 5,682,666; 4,904,428; 5,023,031; 5,000,893; 4,669,448; 4,829,983; 4,808,356; 5,115,767; 5,092,519; 5,052,346; 4,416,222; 4,628,184; 4,861,968; 4,672,919; Re. 34,534. OTHER U.S. AND FOREIGN PATENT APPLICATIONS PENDING. CURRENT CANADIAN PATENTS: 1,272,914; 1,280,043; 1,289,832; 2,045,862; 2,112,515; 2,108,186; 2,107,014.

Download from www.Somanuals.com. All Manuals Search And Download.



Through-The-Wall Gas Water Heater



Deluxe Energy Saver Models

Meet or exceed ASHRAE 90.1b (Current Standard). Meets C.E.C. Requirements.

NATURAL GAS				Recovery 50°C Rise/ 90°F Rise*			A	B	C	D	E	F	G	Approx. Shipping Weight lbs. kg		
Model Number	Imp. Gal. Cap.	U.S. Gal. Cap.	BTU Input	KW BTU	Imp. GPH	U.S. GPH	Liters/ Hr	Fl. to Flue Conn. In. mm	Jacket Dia. In. mm	Vent Size In. mm	Fl. to T&P Conn. In. mm	Fl. to Gas Conn. In. mm	Fl. to CW Inlet In. mm		Fl. to H.W. Outlet & H.E. Conn. In. mm	
M-2-C-TW-50T10BN(LP)	39	47	178	65,000	19.0	57	69	261	66% 1699	22 559	3 76	48% 1243	16% 422	30% 778	56 1422	197 89
M-2-C-TW-75T10CN(LP)	61	73	276	75,000	22.0	67	80	303	71% 1820	26 660	3 76	53 1346	19 483	29% 746	61 1549	286 130

*Based on manufacturers rated recovery efficiency.
All propane gas water heaters are equipped with cast iron burner. Change suffix "BN" or "CN" to "CX".

LP Propane Gas Inputs	Recovery at 50°C Rise and 90°F Rise		
	Imp GPH	US GPH	Liters/Hr
M-2-C-TW50T10CX	18.4 KW	63,000 BTU/Hr	56
M-2-C-TW75T10CX	21.4 KW	73,000 BTU/Hr	65

110 V.A.C. Required for Power Venting
110 V.A.C. 60HRZ 2.1 Amperes

MAXIMUM HORIZONTAL AND VERTICAL VENT

3" PVC, ABS & CPVC (76mm) 4" PVC, ABS & CPVC (102mm)
30 ft. (9.1 m) 60 ft. (18 m)
(3) 90° elbows
Note: 90° elbow is equivalent to 5ft. (1.5m)

General

All gas water heaters are certified at 300 PSI test pressure (2068 kPa) and 150 PSI working pressure (1034 kPa). All potable water and heat exchanger connections are 3/4" NPT (19mm), all gas connections 1/2" (13mm). All models design certified by CSA International (formerly AGA/CGA) and peak performance rated.

Dimensions and specifications subject to change without notice in accordance with our policy of continuous product improvement.

	M2-C-TW50T10BN	M2-C-TW75T10CN
Input	65,000 BTU/H 19.0KW	75,000 BTU/H 22.0KW
Water Heating		
CA_{EFF}	.65	.64
Thermal Efficiency	80	80
First Hour Rating	83 Imp.Gal. 100 Gal. 379 Liters	112 Imp.Gal. 140 Gal. 511 Liters
Rec. Rate 90°F Rise and 50°C Rise	58 Imp.GPH 70 GPH 261 Liters/H	67 Imp.Gal. 80 GPH 306 Liters/H
Space Heating		
CA_{FUE}°%	82.0	82.0
Max. Heating Capacity*	52,000 BTU/H 15.2KW	60,000 BTU/H 17.6KW

⊕ Based on ANSI Z21.10.1 and 10.3 and DOE Test Methods.
⊕ Based on ANSI/ASHRAE 124 Standard.
Actual values may vary based on circulator flow rate, number of zones, water and space heating demands. Numbers subject to change.

6-Year Limited Warranty on Component Parts

BRADFORD WHITE CORPORATION has a 6-year warranty on replaceable parts – gas valve, thermostat, burner, dip tube, drain valve and blower assembly. These quality components are manufactured for us by industry leaders and will be replaced in the event of failure during the parts warranty period (exclusive of shipping and re-installation cost.)§

§ Some states do not allow limitations on warranties. See complete copy of the warranty included with the heater. Indicated warranties apply to USA, Canada, and Puerto Rico installations.

10-Year Limited Heat Exchanger and Tank Warranties

BRADFORD WHITE CORPORATION LIMITED WARRANTY: Protects your investment in a quality glass-lined heater. If the tank or heat exchanger leaks for reasons of faulty materials, workmanship, or corrosion within the warranty period, the heater will be replaced with a comparable heater of our manufacture (exclusive of shipping and re-installation cost.)§

Vitraglas®, CombiCor® and UltraCoil® are registered trademarks of Bradford White® Corporation.
©2004, Bradford White Corporation. All rights reserved.



For U.S. and Canada field service, contact your professional installer or local Bradford White sales representative.

Sales/800-523-2931
Fax/215-641-1670

Technical Support/800-334-3393
Fax/269-795-1089

Warranty/800-531-2111
Fax/269-795-1089

International:
Telephone/215-641-9400
Telefax/215-641-9750

Fax on Demand:
888-538-7833

www.bradfordwhite.com



Sales/Technical Support
866-890-0961
905-238-0100
Fax/905-238-0105

www.bradfordwhitecanada.com

Free Manuals Download Website

<http://myh66.com>

<http://usermanuals.us>

<http://www.somanuals.com>

<http://www.4manuals.cc>

<http://www.manual-lib.com>

<http://www.404manual.com>

<http://www.luxmanual.com>

<http://aubethermostatmanual.com>

Golf course search by state

<http://golfingnear.com>

Email search by domain

<http://emailbydomain.com>

Auto manuals search

<http://auto.somanuals.com>

TV manuals search

<http://tv.somanuals.com>