



RESIDENTIAL AND LIGHT DUTY COMMERCIAL GAS REPLACEMENT PARTS LIST

High-Input Direct Vent Energy Saver Models “DH-1, DH” Series

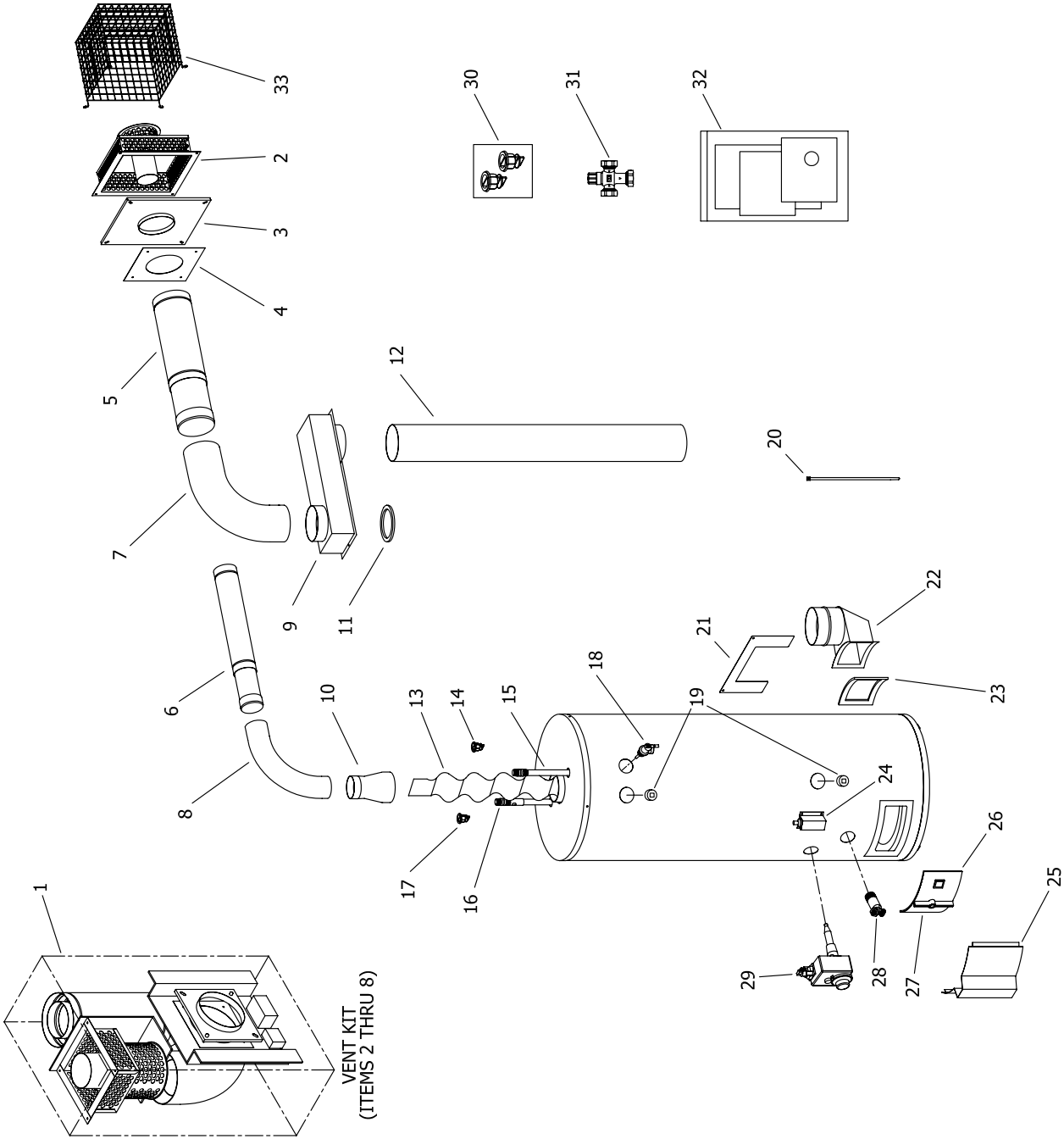


Includes Hydrojet®
Total Performance System

Effective: July 31, 2008
ECO 7291-2

**NOTE: BOTH MODEL AND SERIAL
NUMBERS ARE REQUIRED FOR
ORDERING REPLACEMENT PARTS**

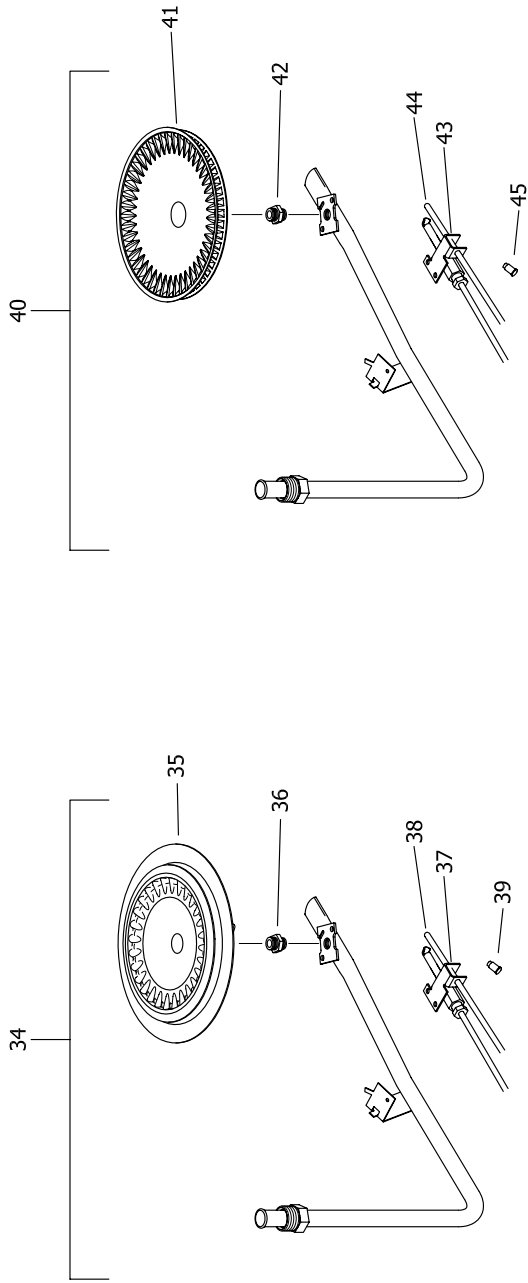
Dimensions and specifications
subject to change without notice.



LP GAS (SX) BURNER ASSEMBLY TO REPLACE LP GAS (CX) BURNER ASSEMBLY
ON ALL MODELS EXCEPT 75 & 100 GAL. MODELS

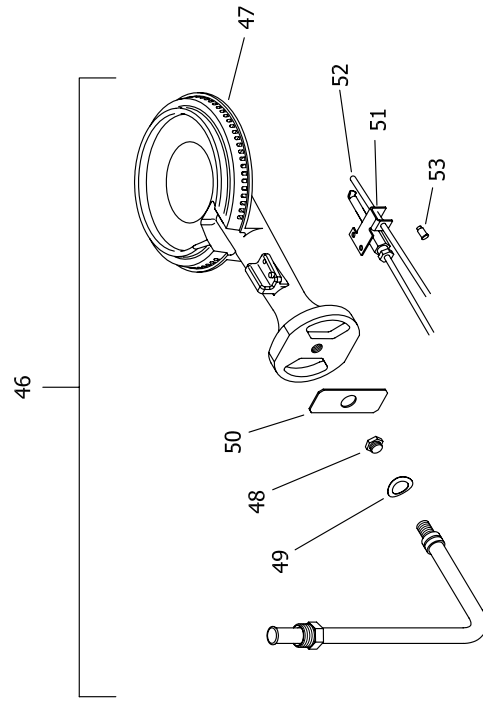
Item	Description	Model DH50T50 (B*N,E*N,*X)	Model DH65T55 (B*N,E*N,*X)	Model DH75T60 (B*N,E*N,*X)	Model DH1504T* (BN,EN,CX)	Model DH165T* (BN,EN,CX)	Model DH175S* (BN,EN,CX)
1	Vent package White (Includes Items 2 Thru 8) Aluminum (Includes Items 2 Thru 8)	239-45412-00 239-42980-00	239-45412-00 239-42980-00	239-45412-00 239-42980-00	239-45412-00 239-42980-00	239-45412-00 239-42980-00	239-45412-00 239-42980-00
2	Standard Brown (Includes Items 2 Thru 8) Direct Vent-Air Intake Terminal (Standard Brown) Direct Vent-Air Intake Terminal (Opt. White) Direct Vent-Air Intake Terminal (Opt. Aluminum)	239-42979-00 239-42832-00 239-45413-00 239-42274-00	239-42979-00 239-42832-00 239-45413-00 239-42274-00	239-42979-00 239-42832-00 239-45413-00 239-42274-00	239-42979-00 239-42832-00 239-45413-00 239-42274-00	239-42979-00 239-42832-00 239-45413-00 239-42274-00	239-42979-00 239-42832-00 239-45413-00 239-42274-00
3	Outer Wall Mounting Plate (Standard Brown) Outer Wall Mounting Plate (Opt. White) Outer Wall Mounting Plate (Opt. Aluminum)	239-42833-00 239-45414-00 239-42447-00	239-42833-00 239-45414-00 239-42447-00	239-42833-00 239-45414-00 239-42447-00	239-42833-00 239-45414-00 239-42447-00	239-42833-00 239-45414-00 239-42447-00	239-42833-00 239-45414-00 239-42447-00
4	Backing Plate	239-42449-00	239-42449-00	239-42449-00	239-42449-00	239-42449-00	239-42449-00
5	Outer Telescopic Tube	239-42459-00	239-42452-00	239-42452-00	239-42452-00	239-42452-00	239-42452-00
6	Inner Telescopic Tube	239-42460-00	239-42460-00	239-42460-00	239-42460-00	239-42460-00	239-42460-00
7	Outer Elbow	239-42067-00	239-42067-00	239-42067-00	239-42067-00	239-42067-00	239-42067-00
8	Inner Elbow	239-42068-00	239-42068-00	239-42068-00	239-42068-00	239-42068-00	239-42068-00
9	Plenum	239-42069-01	239-42069-02	239-42069-03	239-42069-01	239-42069-02	239-42069-03
10	Flue Reducer	239-42066-00	239-42066-00	239-42066-00	239-42066-00	239-42066-00	239-42066-00
11	Plenum Gasket	239-41070-02	239-41070-02	239-41070-02	239-41070-02	239-41070-02	239-41070-02
12	Air Intake Tube	239-41012-02	239-41012-03	239-41012-02	239-41012-02	239-41012-03	239-41012-02
13	Flue Baffle	243-44646-00	243-44650-00	243-42062-00	243-44646-00	243-44650-00	243-42062-00
14	Heat Trap Insert (Inlet)	239-45073-00	239-45073-00	239-45073-00	239-45073-00	239-45073-00	239-45073-00
15	Cold Water Inlet Dip Tube Polypropylene ▲▲ Polysulfone (NC Code) ▲▲	229-39625-20 229-39628-20	229-39625-19 229-39628-19	229-39625-19 229-39628-19	229-39625-18 229-39628-18	229-39625-06 229-39628-06	229-39625-06 229-39628-06
16	Hot Water Outlet Anode Magnesium ▲ Aluminum ▲	224-32731-86 224-32999-30	224-32731-86 224-32999-30	224-32731-86 224-32999-30	224-32731-86 224-32999-30	224-32731-83 224-32999-06	224-32731-83 224-32999-06
17	A420 Aluminum ▲ Heat Trap Insert (Outlet)	224-45147-01 239-45167-00	224-45147-01 239-45167-00	224-45147-01 239-45167-00	224-45147-01 239-45167-00	229-45147-03 239-45167-00	229-45147-03 239-45167-00
18	T&P Relief Valve	230-32920-01	230-32920-01	230-32920-01	230-32920-01	230-32920-01	230-32920-01
19	3/4 NPT Plug	239-11638-00	239-11638-00	239-11638-00	239-11638-00	239-11638-00	239-11638-00
20	Wire Tie	239-44328-00	239-44328-00	239-44328-00	239-44328-00	239-44328-00	239-44328-00
21	Air Intake Boot Escutcheon	243-46922-00	243-46922-00	243-46922-00	243-46922-00	243-46922-00	243-46922-00
22	Air Intake Boot	239-46755-01	239-46755-02	239-46755-03	239-46755-01	239-46755-02	239-46755-03
23	Air Intake Boot Gasket	223-41067-00	223-41067-00	223-41067-00	223-41067-00	223-41067-00	223-41067-00
24	Piezo Igniter	239-41065-00	239-41065-00	239-41065-00	239-41065-00	239-41065-00	239-41065-00
25	Outer Door	243-42641-00	243-42641-00	243-42641-00	243-42641-00	243-42641-00	243-42641-00
26	Right Side Inner Door (Sight Glass)	239-45415-00	239-45415-00	239-45415-00	239-45415-00	239-45415-00	239-45415-00
27	Left Side Inner Door	239-45416-00	239-45416-00	239-45416-00	239-45416-00	239-45416-00	239-45416-00
28	Brass Drain Valve	265-42351-02	265-42351-02	265-42351-02	265-42351-02	265-42351-02	265-42351-02
29	Gas Valve Natural Gas Gas Valve LP Gas	265-46181-03 265-46366-01	265-46181-03 265-46366-01	265-46181-03 265-46366-01	265-46181-03 265-46366-01	265-46181-03 265-46366-01	265-46181-03 265-46366-01
30	Heat Trap Insert Kit	265-45419-00	265-45419-00	265-45419-00	265-45419-00	265-45419-00	265-45419-00
31	ASSE Approved Mixing Valve (Optional)	239-43740-01	239-43740-01	239-43740-01	239-43740-01	239-43740-01	239-43740-01
32	Inner Door Gasket Kit	239-45909-00	239-45909-00	239-45909-00	239-45909-00	239-45909-00	239-45909-00
33	Direct Vent-Air Intake Terminal Guard (Optional)	239-41453-00	239-41453-00	239-41453-00	239-41453-00	239-41453-00	239-41453-00

*Applies to all warranties
**Inner door gasket kit recommended
***Ordering a complete burner assembly may increase delivery time. Please order the specific component required for the quickest delivery.
▲ Order with item 17
▲▲ Order with item 14



NATURAL GAS (BN) BURNER ASSEMBLY

LP GAS (SX) BURNER ASSEMBLY

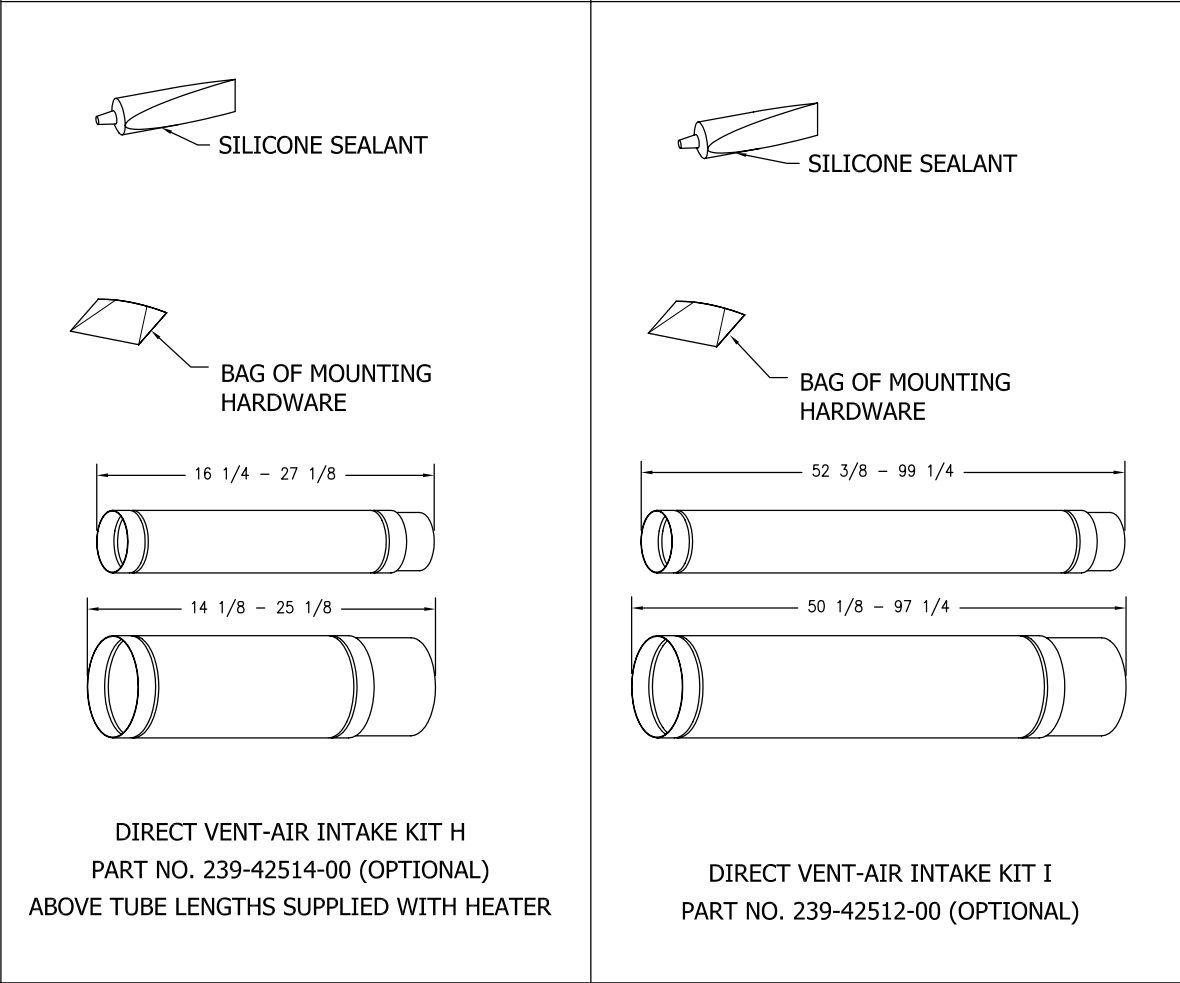
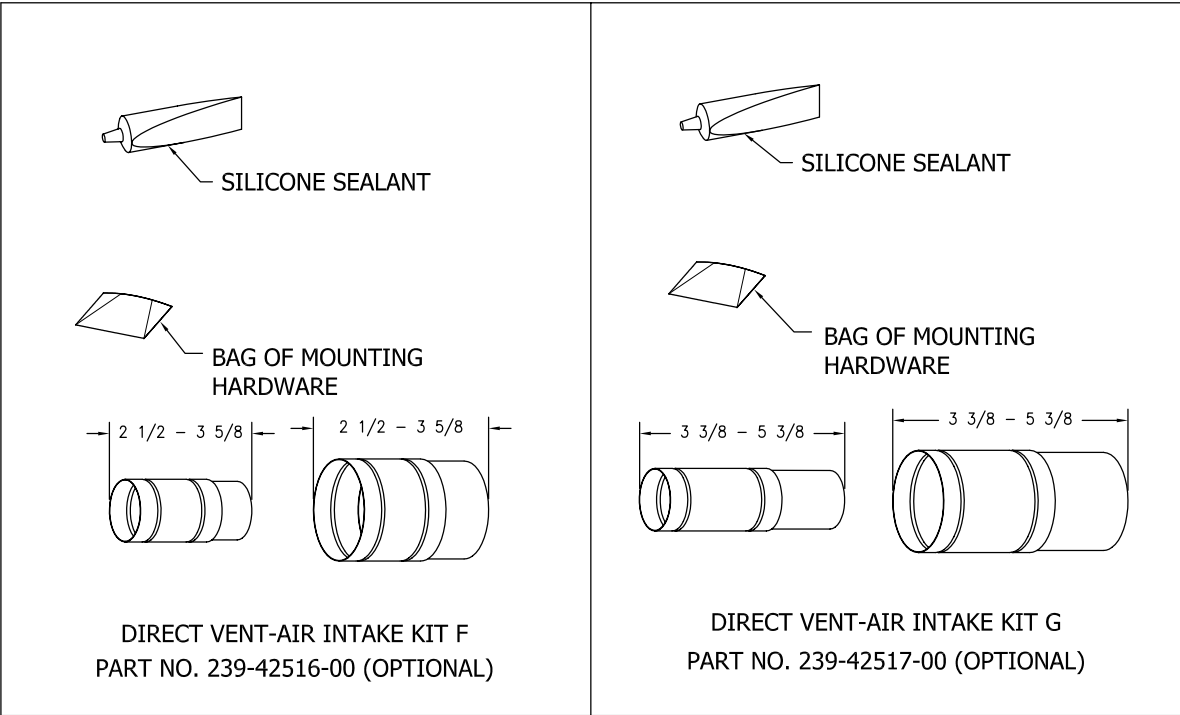


LP GAS (CX) BURNER ASSEMBLY

LP GAS (SX) BURNER ASSEMBLY TO REPLACE LP GAS (CX) BURNER ASSEMBLY
ON ALL MODELS EXCEPT 75 & 100 GAL. MODELS

Item	Description	Model DH50T50 (B*N,E*N,*X)	Model DH65T55 (B*N,E*N,*X)	Model DH75T60 (B*N,E*N,*X)	Model DH1504T* (BN,EN,CX)	Model DH165T* (BN,EN,CX)	Model DH175S* (BN,EN,CX)
Natural Gas (BN) Burner Assembly							
34	Nat. Gas (BN) Burner Assembly Complete***	265-47439-11-31	265-47439-11-30	265-43956-06-29	265-47439-11-31	265-47439-11-30	265-43956-06-29
35	Nat. Gas (BN) Burner**	228-42506-00	228-42506-00	228-42506-00	228-42506-00	228-42506-00	228-42506-00
36	Nat. Gas (BN) Main Burner Orifice**	234-41034-31	234-41034-30	234-41034-29	234-41034-31	234-41034-30	234-41034-29
	Nat. Gas (BN) High Altitude 2001 Ft. to 5000 Ft.**	234-41034-33	234-41034-31	234-41034-30	234-41034-33	234-41034-31	234-41034-30
	Nat. Gas (BN) High Altitude 5001 Ft. to 8000 Ft.**	234-41034-36	234-41034-32	234-41034-31	234-41034-36	234-41034-32	234-41034-31
	Nat. Gas (BN) High Altitude Over 8000 Ft.**	234-41034-38	234-41034-33	234-41034-31	234-41034-38	234-41034-33	234-41034-31
37	Nat. Gas (BN) Pilot Assembly**	233-46277-04	233-46277-04	233-46277-04	233-46277-04	233-46277-04	233-46277-04
38	Thermocouple**	233-46501-24	233-46501-24	233-46501-24	233-46501-24	233-46501-24	233-46501-24
39	Nat. Gas Pilot Orifice**	234-46502-05	234-46502-05	234-46502-05	234-46502-05	234-46502-05	234-46502-05
LP Gas (SX) Titanium Stabilized Stainless Steel Burner Assembly							
40	LP Gas (SX) Burner Assembly Complete***	265-47440-19-47	265-47440-19-46	---	265-47440-19-47	265-47440-19-46	---
41	LP Gas (SX) Burner**	228-47000-00	228-47000-00	---	228-47000-00	228-47000-00	---
42	LP Gas (SX) Main Burner Orifice**	234-47064-47	234-47064-46	---	234-47064-47	234-47064-46	---
	LP Gas (SX) High Altitude 2001 Ft. to 5000 Ft.**	234-47064-49	234-47064-48	---	234-47064-49	234-47064-48	---
	LP Gas (SX) High Altitude 5001 Ft. to 8000 Ft.**	234-47064-50	234-47064-49	---	234-47064-50	234-47064-49	---
	LP Gas (SX) High Altitude Over 8000 Ft.**	234-47064-51	234-47064-50	---	234-47064-51	234-47064-50	---
43	LP Gas (SX) Pilot Assembly**	233-46278-03	233-46278-03	---	233-46278-03	233-46278-03	---
44	Thermocouple**	233-46501-24	233-46501-24	---	233-46501-24	233-46501-24	---
45	LP Gas Pilot Orifice**	234-46502-02	234-46502-02	---	234-46502-02	234-46502-02	---
LP Gas (CX) Cast Iron Burner Assembly							
46	LP Gas (CX) Cast Iron Burner Assembly Complete **	SEE ITEM 40	SEE ITEM 40	265-42461-03-43	SEE ITEM 40	SEE ITEM 40	265-42461-03-43
47	LP Gas (CX) Cast Iron Burner	SEE ITEM 40	SEE ITEM 40	228-42080-00	SEE ITEM 40	SEE ITEM 40	228-42080-00
48	LP Gas (CX) Main Burner Orifice (0ft to 2000ft)	SEE ITEM 40	SEE ITEM 40	234-35928-43	SEE ITEM 40	SEE ITEM 40	234-35928-43
	LP Gas (CX) High Altitude (2001ft to 5000ft)	SEE ITEM 40	SEE ITEM 40	234-35928-46	SEE ITEM 40	SEE ITEM 40	234-35928-46
	LP Gas (CX) High Altitude (5001ft to 8000ft)	SEE ITEM 40	SEE ITEM 40	234-35928-47	SEE ITEM 40	SEE ITEM 40	234-35928-47
	LP Gas (CX) High Altitude (8001ft & above)	SEE ITEM 40	SEE ITEM 40	234-35928-47	SEE ITEM 40	SEE ITEM 40	234-35928-47
49	Spring Washer	SEE ITEM 40	SEE ITEM 40	239-40729-00	SEE ITEM 40	SEE ITEM 40	239-40729-00
50	Air Shutter	SEE ITEM 40	SEE ITEM 40	239-35466-00	SEE ITEM 40	SEE ITEM 40	239-35466-00
51	LP Gas Pilot Assembly	SEE ITEM 40	SEE ITEM 40	233-42280-03	SEE ITEM 40	SEE ITEM 40	233-42280-03
52	Thermocouple**	SEE ITEM 40	SEE ITEM 40	233-46501-24	SEE ITEM 40	SEE ITEM 40	233-46501-24
53	LP Gas Pilot Orifice	SEE ITEM 40	SEE ITEM 40	234-46502-02	SEE ITEM 40	SEE ITEM 40	234-46502-02
-	LP to Natural Gas Conversion Kit (Norm Alt.)	265-45712-41	265-45712-42	265-45712-43	265-45712-33	265-45712-34	265-45712-35
-	LP to Natural Gas Conversion Kit (High Alt.)	265-45712-44	265-45712-45	265-45712-46	265-45712-38	265-45712-39	265-45712-40

*Applies to all warranties
**Inner door gasket kit recommended
***Ordering a complete burner assembly may increase delivery time. Please order the specific component required for the quickest delivery.
▲ Order with item 17
▲▲ Order with item 14



VENT KITS

Horizontal "X"

11	9/16	16 1/4 17 3/16	18 20 11/16	25 1/4 35 3/16	37 3/4 57 7/8	61 5/16 107 5/16
		order kit F 239-42516-00	order kit G 239-42517-00	no add'l kit req'd	order kit H 239-42514-00	order kit I 239-42512-00
16	5/16	order kit F *(2) 239-42516-00	order kit F & G 239-42516-00 239-42517-00	order kit F 239-42516-00	order kit F & H 239-42516-00 239-42514-00	order kit F & I 239-42516-00 239-42512-00
17	1/4					
18	1/16	order kit F & G 239-42516-00 239-42517-00	order kit G *(2) 239-42517-00	order kit G 239-42517-00	order kit G & H 239-42517-00 239-42514-00	order kit G & I 239-42517-00 239-42512-00
20	3/4					
25	5/16	order kit F 239-42516-00	order kit G 239-42517-00	order kit H 239-42514-00	order kit H *(2) 239-42514-00	order kit I 239-42512-00
35	1/4					
38	1/16	order kit F & H 239-42516-00 239-42514-00	order kit G & H 239-42517-00 239-42514-00	order kit H *(2) 239-42514-00	order kit H *(3) 239-42514-00	order kit H & I 239-42514-00 239-42512-00
57	15/16					
61	3/8	order kit F & I 239-42516-00 239-42512-00	order kit G & I 239-42517-00 239-42512-00	order kit I 239-42512-00	order kit H & I 239-42514-00 239-42512-00	order kit I *(2) 239-42512-00
107	3/8					

Vertical "Y"

*(2) = Order two kits

*(3) = Order three kits



BRADFORD WHITE[®]
W A T E R H E A T E R S
Ambler, PA

For U.S. and Canada field service,
contact your professional installer or
local Bradford White sales representative.

Sales/800-523-2931
Fax/215-641-1670
Parts Fax/215-641-2180

Technical Support/800-334-3393
Fax/269-795-1089

Warranty/800-531-2111
Fax/269-795-1089

International:
Telephone/215-641-9400
Telefax/215-641-9750



BRADFORD WHITE-CANADA[®] *INC.*
Mississauga, ON

Sales/866-690-0961
905-238-0100

Fax/905-238-0105

Technical Support/800-334-3393

Email

parts@bradfordwhite.com
techserv@bradfordwhite.com

www.bradfordwhite.com

Free Manuals Download Website

<http://myh66.com>

<http://usermanuals.us>

<http://www.somanuals.com>

<http://www.4manuals.cc>

<http://www.manual-lib.com>

<http://www.404manual.com>

<http://www.luxmanual.com>

<http://aubethermostatmanual.com>

Golf course search by state

<http://golfingnear.com>

Email search by domain

<http://emailbydomain.com>

Auto manuals search

<http://auto.somanuals.com>

TV manuals search

<http://tv.somanuals.com>