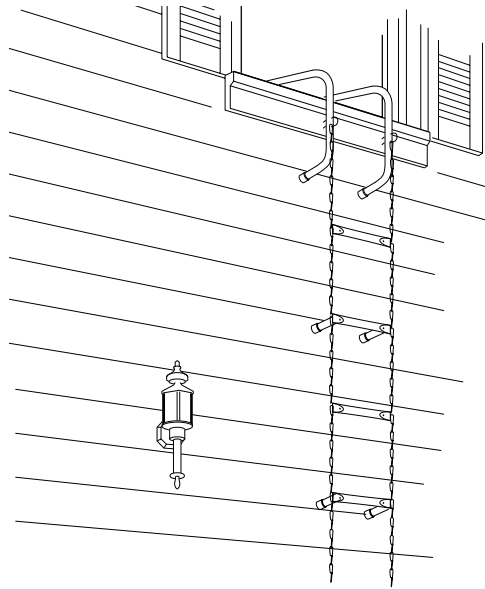


This steel fire escape ladder is easy to use, and provides a reliable means of escape through a second-floor window during a home fire.

Features and Benefits

- For use in two-story homes
- Strong steel construction
- Fully assembled, ready to use
- Slip-resistant epoxy coated rungs
- Large hooks secure easily to windowsills
- Six pairs of steel rung stabilizers
- Ladder classified by Underwriters Laboratories, Inc. as to load carrying capacity only, 375 lb. rating.



Model
EL50

M06-4007-001 10/00

THIS USER'S MANUAL HAS BEEN RESIZED TO PRINT OUT ON 8-1/2 x 11" PAGES.

All Rights Reserved. ©2000 BRK Brands, Inc.
BRK Brands, Inc., 3901 Liberty Street Road, Aurora, IL 60504-8122
Consumer Affairs: Monday-Friday, 7:30am-5pm (Central Time): (800) 323-9005
Internet: www.firstalert.com

TO WORK PROPERLY IN A FIRE EMERGENCY, THIS LADDER MUST:

Be Stored Where It Is Easy To Reach Quickly...

- Do not store the ladder on another floor of your home. If you have more than one second-floor room requiring an alternate means of escape, put a fire ladder in each room.
- Store the ladder where it can be immediately accessed--near the window, under a bed, or in the front part of a closet.
- Make sure nothing blocks you from reaching the ladder. In a fire you have just minutes to react and take action.
- Store the ladder in its original box to keep it from becoming tangled.

Be Used On A Suitable Window...

- This ladder is intended for use in windows that are structurally safe for the intended load.
- The ladder must be used from the correct height, and there should be no obstructions along the ladder path to the ground.
- This ladder is intended only for second-floor windows no higher than 16 feet from the ground.
- The windowsill must be no narrower than 6" (15 cm) and no wider than 10" (25 cm).
- The windowsill must be in good condition (no rotted wood, loose boards, etc.).
- The window must open easily and completely. Storm windows, screens or other types of multi-track windows can make it difficult to use this ladder in an emergency.
- The window should not be blocked by furniture or security devices like grills or bars.
- For details on choosing a suitable window, see the "Choosing A Window" and "Test Fitting The Ladder" inside.

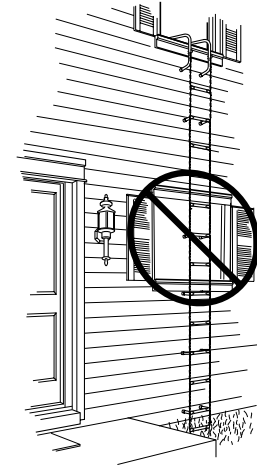
Be Properly Secured To The Windowsill Before You Start Climbing Down...

- To properly support your weight and provide the needed stability while you climb down, the ladder must be properly attached to the windowsill.
- Make sure the sill hooks rest securely on the windowsill.
- Make sure the folding crosspiece between the sill hooks is straight, and the chain does not tangle as you lower the ladder out of the window.

CHOOSING A WINDOW

⚠ WARNING!

This escape ladder is not intended for use from second floor windows directly above first floor windows. The rung stabilizers could break a first-floor window and cause injury.

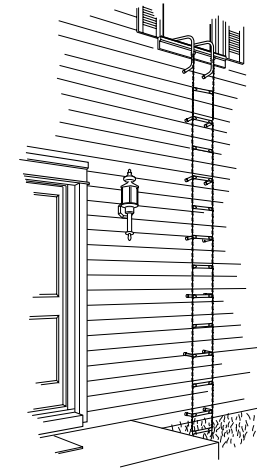


Do not use from a second floor window directly above a first floor window.

⚠ CAUTION!

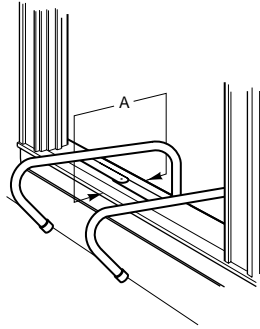
You must test fit this ladder on your chosen escape window before storing it. In a fire emergency you will not have time to determine whether or not a particular window is suitable, and using the ladder on an unsuitable window could result in injury or death.

1. The ladder should be used ONLY from second floor windows no more than 16 feet from the ground



Use ONLY from second floor windows no more than 16 feet from the ground.

- The window should be at least 20 inches (51 cm) wide and 32 inches (81 cm) high to give you enough clearance to exit safely. The windowsill width should be between a minimum of 6 inches (15 cm) and a maximum of 10 inches (25 cm). Measure windowsill from outside to inside. **DO NOT USE THIS FIRE ESCAPE LADDER ON WINDOWSILLS THAT ARE TOO LARGE OR TOO SMALL FOR THE HOOKS.**



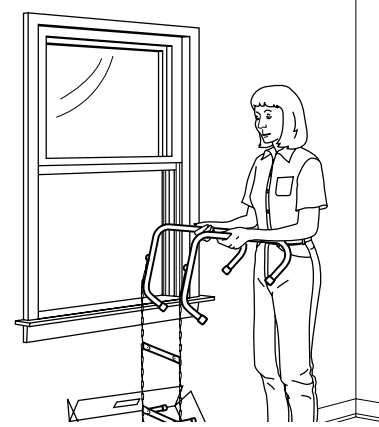
A. The windowsill width should be between a minimum of 6" (15 cm) and a maximum of 10" (25 cm).

- DO NOT USE ON A DAMAGED OR WEAK WINDOWSILL.** Check windowsill for wear, rotted or loose wood, or damage. Consult a contractor or replace windowsill **BEFORE** attempting to hook the fire escape ladder to a damaged windowsill. This ladder is intended for use in windows that are structurally safe for the intended load.
- For safest use, there should be a clear path from the window all the way to the ground. **BEFORE STORING THE LADDER FOR AN EMERGENCY:** From outside of your home, check below the window for any obstructions. Check for trees, bushes, plants, windows, house fixtures, or any other objects in the direct path below the chosen window.
- Make sure the window you choose opens easily and completely. In an emergency, every minute counts.

TEST FITTING THE LADDER

You must test fit this ladder on your chosen escape window before storing it.

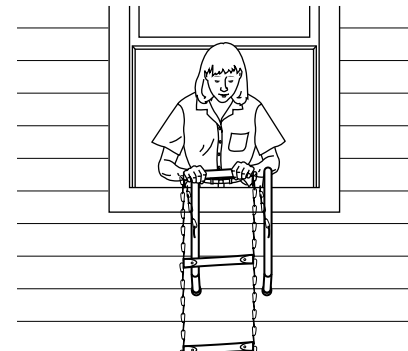
- Remove the ladder from the box and unfold the sill hooks so the folding crosspiece is positioned towards you.



- Place the sill hooks firmly over the windowsill, keeping the chain and ladder rungs inside.



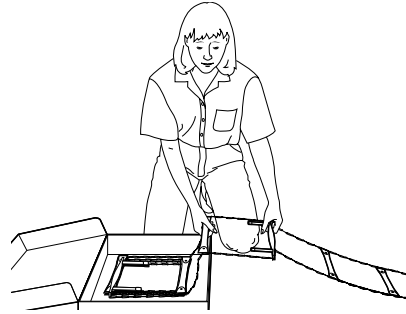
- Grasp the bottom rung of the ladder (the one with the label) and lower the chain and rungs out the window, bottom rung first.



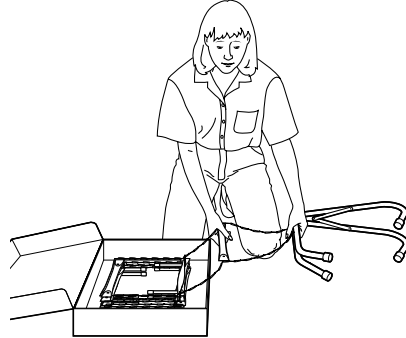
- Check the rung stabilizers to make sure they are securely fastened to the ladder. Tighten any loose screws or stabilizers, and make sure there is no visible evidence of damage to any part of the ladder.
- After you check that the ladder fits securely on the windowsill, and provides you with a viable escape path all the way to the ground, carefully pull it back in through the window. Store the ladder in its original box as described in "Storing The Ladder After Use".

STORING THE LADDER AFTER USE

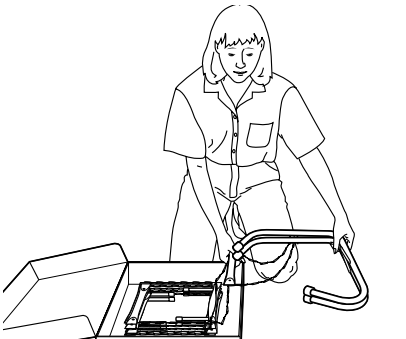
1. Lay the box on the floor with the lid folded open.
2. Stretch the ladder out on the floor, with the rung stabilizers facing up towards you.
3. Grab the bottom two rungs of the ladder, and set them in the bottom of the box so the rungs are as far apart as possible. The chain between them should lay straight.



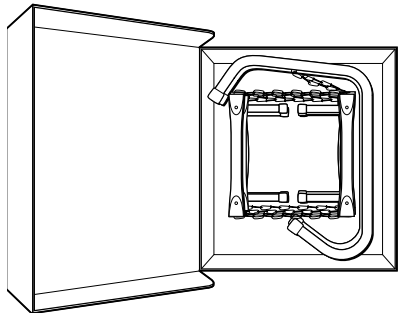
4. Continue placing two rungs in the box at a time, making sure the rungs stack neatly on top of each other. This will minimize the chance of the ladder becoming tangled when you remove it from the box in an emergency.



5. When you reach the top end of the ladder, fold the sill hooks together and turn them so they line up as shown.



6. Lay the sill hooks in the box as shown. The hooks should rest on the bottom of the box, around the outside of the stacked rungs.



7. Store the fire escape ladder in an accessible location, by the window, under a bed, or in the front part of a closet. Be sure nothing blocks your access to the ladder.

HOW TO USE IN A FIRE EMERGENCY

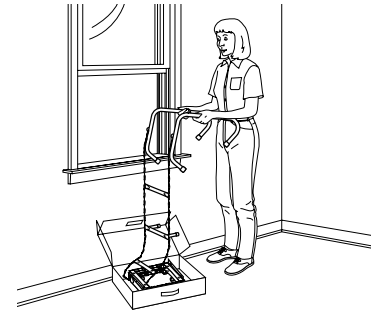
⚠ WARNING!

This fire escape ladder is not a toy or recreational device. Use it only in a fire emergency.

IMPORTANT!

It is strongly recommended that children and elderly adults be accompanied by an adult if at all possible when using this ladder in a fire emergency.

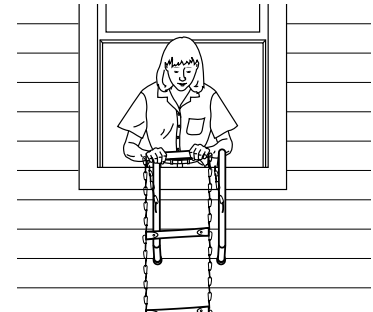
1. Before you open the window, close the door leading out of the room you are in.
2. Remove the ladder from the box and unfold the sill hooks so the folding crosspiece is positioned towards you.



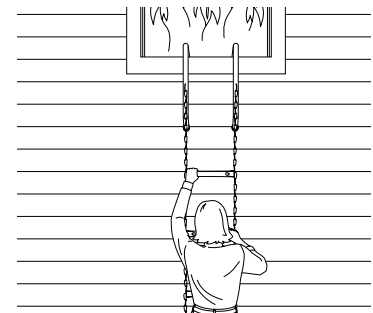
3. Place the sill hooks firmly over the windowsill, keeping the chain and ladder rungs inside.



4. Grasp the bottom rung of the ladder (the one with the label) and lower the chain and rungs out the window, bottom rung first.



5. Exit carefully through the window and place your feet on the first rung. Hold onto the window frame until your weight is evenly distributed on the ladder. Climb down, keeping your body close to the ladder.



WHAT FIRE ESCAPE LADDERS CANNOT DO

- This fire escape ladder is NOT a means of protection against fire. It will not warn or alert you to a fire or of any other type of emergency. It is intended to be used as an alternate escape means in a fire emergency only.
- This fire escape ladder is NOT intended to be the main exit for escape in an emergency. Instruct family members to use the fire escape ladder as a last resort, ONLY when their main exit is blocked, not accessible, or unsafe to use.
- This fire escape ladder is NOT a toy or recreational device. It is intended to be used as a supplemental emergency escape device ONLY. Instruct children not to use this fire escape ladder for any reason, except in an emergency.
- This portable fire escape ladder does not meet your local codes as a primary means of exit from multi-family dwellings. It is not intended to replace fire escapes in multi-family residences, institutions, or rental properties. This ladder is intended for use as a means of escape from residential buildings, and may supplement the primary means of exit required by codes and other local regulations.
- This fire escape ladder is NOT intended for use from rooms above a second-floor level. DO NOT use from rooms above a second-floor height. The ladder is 15 feet long and is NOT intended for escape from rooms with windowsills higher than 16 feet from the ground.
- This fire escape ladder is NOT intended to be hooked onto gutters, siding, or any other interior or exterior fixture. It is ONLY intended to be hooked to windowsills.

SIX YEAR LIMITED WARRANTY COVERAGE:

BRK Brands, Inc. warrants its enclosed First Alert Fire Escape Ladder to be free from defects in materials and workmanship under normal use for a period of 6 years from the date of purchase. During the first year after the date of purchase, BRK Brands, Inc. will replace any defective fire escape ladder without charge. During the next five years, BRK Brands, Inc. will replace any defective fire escape ladder at a charge to you not to exceed BRK Brands, Inc.'s cost. This is your exclusive warranty.

This warranty is valid for the original retail purchaser from the date of initial retail purchase and is not transferable. Keep the original sales receipt. Proof of purchase is required to obtain warranty performance. Dealers, service centers, or retail stores selling this product do not have the right to alter, modify or any way change the terms and conditions of this warranty. In new construction, if your fire escape ladder was installed by a contractor, this warranty is valid for the homeowner at the time of installation from the date of original installation and is not transferable.

This warranty does not cover normal wear of parts or damage resulting from any of the following: negligent use or misuse of the product, use contrary to the operating instructions, disassembly, repair or alteration by anyone other than BRK Brands, Inc. Further, the warranty does not cover acts of God, such as fire, flood, hurricanes and tornadoes.

BRK Brands, Inc. shall not be liable for any incidental or consequential damages caused by the breach of any express or implied warranty. Except to the extent prohibited by applicable law, any implied warranty of merchantability or fitness for a particular purpose is limited in duration for 6 years. Some states, provinces, or jurisdictions do not allow the exclusion or limitation of incidental or consequential damages or limitations on how long an implied warranty lasts, so the above limitations or exclusions may not apply to you. This warranty gives you specific legal rights, and you may also have other rights that vary from state to state, or province to province.

Service: Units under warranty and in need of repair should be returned, shipping prepaid, to BRK Brands, Inc., Attn.: Consumer Affairs, 3920 Enterprise Court, Aurora, IL 60504-8132.

Free Manuals Download Website

<http://myh66.com>

<http://usermanuals.us>

<http://www.somanuals.com>

<http://www.4manuals.cc>

<http://www.manual-lib.com>

<http://www.404manual.com>

<http://www.luxmanual.com>

<http://aubethermostatmanual.com>

Golf course search by state

<http://golfingnear.com>

Email search by domain

<http://emailbydomain.com>

Auto manuals search

<http://auto.somanuals.com>

TV manuals search

<http://tv.somanuals.com>