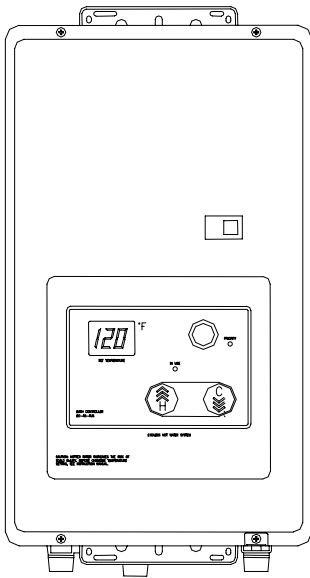




# **BRADFORD WHITE EVERHOT® TANKLESS GAS WATER HEATER**

## **FOR INTERIOR INSTALLATION**

### **IGI-180R AND IGI-180C MODEL SERIES**



Ambler, PA 19002  
Tech. Service (800) 334-3393  
Service Part (800) 538-2020  
Warranty Service (800) 531-2111

Part No.: 238-44958-00A

**▲ WARNING:** If the information in these instructions is not followed exactly, a fire or explosion may result causing property damage, personal injury or death

- Do not store or use gasoline or other flammable vapors and liquids in the vicinity of this or any other appliance
- WHAT TO DO IF YOU SMELL GAS**
  - Do not try to light any appliance.
  - Do not touch any electrical switch; do not use any phone in your building.
  - Immediately call your gas supplier from a neighbor's phone. Follow the gas supplier's instructions.
  - If you cannot reach your gas supplier, call the fire department.
- Installation and service must be performed by a qualified installer, service agency or gas supplier

## **INSTALLATION AND OPERATING INSTRUCTION MANUAL**

PLACE THESE INSTRUCTIONS ADJACENT TO WATER HEATER AND NOTIFY OWNER TO KEEP FOR FUTURE REFERENCE

A Spanish language version of these instructions is available by contacting the company listed on the rating plate.  
**La versión española de estas instrucciones se puede obtener al escribirle a la fábrica cuyo nombre aparece en la placa de especificaciones.**

## SECTION I: IMPORTANT INFORMATION

### READ CAREFULLY

This gas-fired water heater is design certified by CSA International under the American National Standard, Z21.10.3 (as indicated on the rating plate) and CAN/CGA 4.3-M (as indicated on the rating plate) available from CSA Standards Association, 178 Rexdale Blvd., Etobicoke, Ontario, Canada M9W 1R3.

This water heater must be installed in accordance with local codes. In the absence of local codes, it must be installed in compliance with the National Fuel Gas Code (ANSI Z223.1-Latest Edition), or in Canada CAN/CGA B149.1 Natural Gas Installation Code (Latest Edition) or CAN/CGA B149.2 Propane Installation Code (Latest Edition).

The following terms are used throughout this manual to bring attention to the presence of hazards at various risk levels, or to important information concerning product life.

#### DANGER

Indicates an imminently hazardous situation, which, if not avoided, will result in death, serious injury or substantial property damage.

#### CAUTION

Indicates potentially hazardous situation, which, if not avoided, may result in moderate or minor injury or property damage.

#### WARNING

Indicates a potentially hazardous situation, which, if not avoided, could result in death, serious injury or substantial property damage.

#### NOTICE

Indicates special instructions on installation, operation or maintenance, which are important but not related to personal injury hazards.

### NOTICE

**This water heater has a limited warranty. The warranty for this water heater is valid only if the water heater has been installed, maintained and operated in accordance with these instructions.**

## DANGER

DO NOT store or use gasoline or other flammable, combustible, or corrosive vapors and/or liquids in the vicinity of this or any other appliance.

---

Failure to properly install the vent and air intake (if applicable) system could result in property damage, personal injury, or death.

---

DO NOT install any damaged venting system components. If damage is evident then please contact the supplier where the water heater was purchased or the manufacturer listed on the rating plate for replacement parts.

---

Use only vent terminals provided or factory authorized terminals for venting this water heater.

---

This water heater is equipped with an adjustable thermostat to control water temperature. Hot water temperatures required for automatic dishwasher and laundry use can cause scald burns resulting in serious personal injury and/or death. The temperature at which injury occurs varies with the person's age and the time of exposure. The slower response time of disabled persons increases the hazards to them. NEVER allow small children to use a hot water tap, or to draw their own bath water. NEVER leave a child or disabled person unattended in a bathtub or shower.

## WARNING

Improper installation, adjustments, alteration, service or maintenance can cause property damage, personal injury or loss of life. Failure to follow all instructions in the proper order can cause personal injury or death. Read and understand all instructions, including all those provided with the appliance before installing, starting-up, operating, maintaining or servicing this appliance. Keep this manual and literature in legible condition with this water heater for reference by owner and service technician.

---

This water heater requires regular maintenance and service to operate safely. Follow the instructions contained in this manual.

---

Installation, maintenance, and service must be performed only by a qualified, skilled and knowledgeable installer or service provider.

---

Installation is not complete unless a pressure relief valve is installed into the proper location in the hot water outlet piping of this water heater.

---

It is the responsibility of the installing contractor to see that all controls are correctly installed and are properly operating when the installation is complete.

---

**DO NOT operate this water heater without first being certain it is filled with water.**

# WARNING

**DO NOT tamper with or alter the water heater and/or controls.**

---

**DO NOT operate water heater with jumpered or absent controls or safety devices.**

---

**DO NOT operate water heater if any external part has been under water. Immediately call a qualified service agency to inspect the appliance and to replace any part of the control system including gas controls, which has been under water.**

---

**DO NOT attempt to use this water heater with any gas other than the type listed on the rating plate. Do not attempt to convert this water heater for use with a gas other than the type for which it is equipped. Failure to use the proper gas can create an unsafe condition resulting in property damage, bodily injury, or death. Consult your local gas supplier or gas company if there are any questions.**

---

**DO NOT operate this water heater if the input rate exceeds the rate shown on the water heater rating plate.**

---

This water heater contains very hot water under high pressure. Do not unscrew any pipe fittings nor attempt to disconnect any components of this water heater without positively assuring the water is cool and is not under pressure. Always wear protective clothing and equipment when installing, starting up or servicing this water heater to prevent scald injuries. Do not rely on the temperature gauges to determine the temperature. Do not touch any components unless they are cool.

---

This water heater must be properly vented and connected to an approved vent system in good condition. DO NOT operate water heater with the absence of an approved vent system. A clean and unobstructed vent system is necessary to allow noxious fumes that could cause injury or loss of life to vent safely and will contribute toward maintaining the water heater's efficiency.

---

This water heater is for indoor installation only. The supplied venting system must be used to supply outdoor air for combustion to the appliance.

---

This water heater requires its own separate venting system. DO NOT connect the exhaust vent into an existing vent pipe or chimney.

---

Water heater materials of construction, products of combustion and the fuel contain carbon monoxide, nitrogen oxides, aldehydes and/or other toxic or harmful substances which can cause death or serious injury and which are known to the state of California to cause cancer, birth defects and other reproductive harm. Always use proper safety clothing, respirators and equipment when servicing or working nearby this water heater.

## WARNING

Liquefied petroleum gases/propane gas is heavier than air and will remain at floor level if there is a leak. Basements, crawl spaces, closets and areas below ground level will serve as pockets for accumulation of leaking gas. Before lighting, smell all around the appliance area for gas. Be sure to smell next to the floor.

### IF YOU SMELL GAS:

- DO NOT try to light any appliance.
- DO NOT touch any electric switch; do not use any telephone in your building.
- Immediately call your gas supplier from a telephone in another building. Follow the gas supplier's instructions.
- If you cannot reach your gas supplier, call the fire department.

**DO NOT OPERATE THE APPLIANCE UNTIL THE LEAKAGE IS CORRECTED!**

## WARNING

Flammable items, pressurized containers or any other potential fire hazardous articles must never be placed on or adjacent to the water heater. Open containers of flammable material must not be stored or used in the same room with this water heater.

**DO NOT USE AN INSULATION BLANKET WITH THIS WATER HEATER.** This water heater meets or exceeds the ASHRAE/IES 90.1b (latest edition) standards with respect to insulation and standby loss requirements.

## TABLE OF CONTENTS

I	IMPORTANT INFORMATION	2	VII	GAS CONNECTIONS	29
II	SPECIFICATIONS	6	VIII	ELECTRICAL CONNECTIONS	32
III	GENERAL INFORMATION	9	IX	OPERATING INSTRUCTIONS	40
IV	INSTALLATION INSTRUCTIONS	10		TEMPERATURE ADJUSTMENT	43
V	WATER CONNECTIONS	13	X	MAINTENANCE	48
VI	VENTING	20	XI	PARTS LIST	53

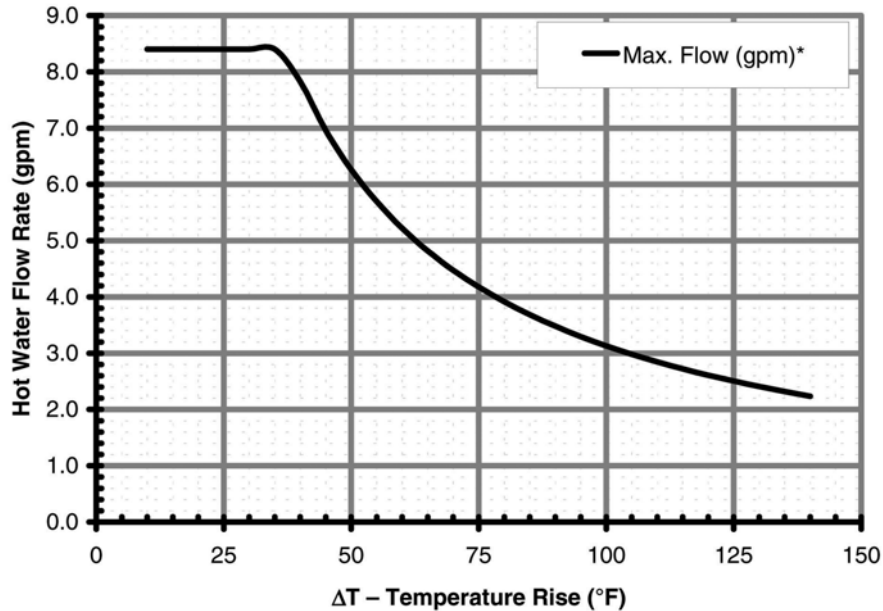
## SECTION II: SPECIFICATIONS

			Max. Flow Rate @ Degree Temperature Rise						
Model No.	Max. Input Rating Btu/hr.	Min. Input Rating Btu/hr.	Temp Rise	40°F	60°F	80°F	100°F	120°F	140°F
IGI-180R-10N IGI-180R-10X IGI-180C-5N IGI-180C-5X	180,000	15,000	Flow Rate Gal/Min.	7.7	5.1	3.8	3.1	2.6	2.2
			First Hour Supply Gal/Hr.	462	306	228	186	156	132

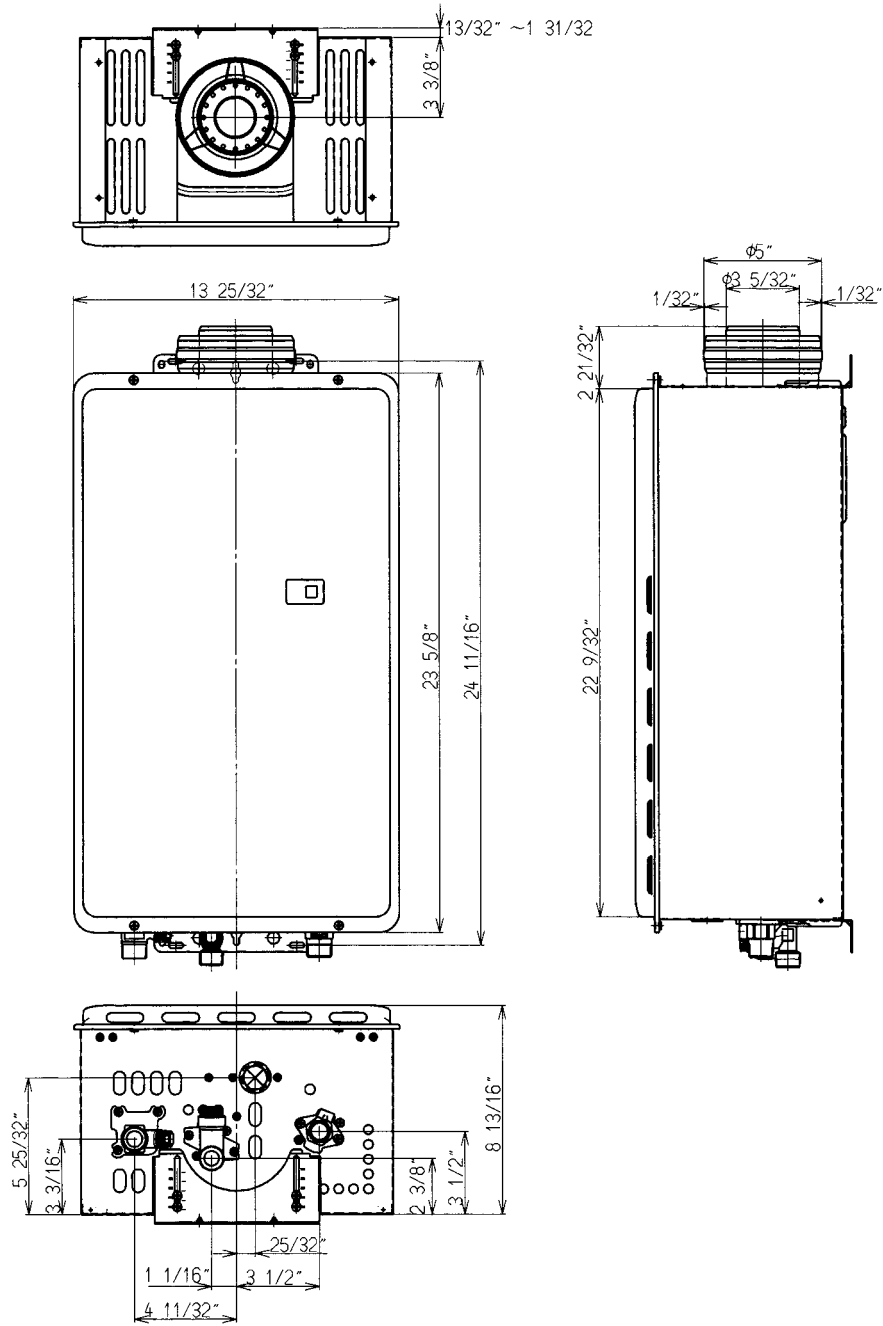
			Max. Flow Rate @ Degree Temperature Rise						
Model No.	Max. Input Rating kW/hr.	Min. Input Rating kW/hr.	Temp Rise	22°C	33°C	44°C	56°C	67°C	78°C
IGI-180R-10N IGI-180R-10X IGI-180C-5N IGI-180C-5X	52.7	4.4	Flow Rate Liters/Min.	29.1	19.3	14.4	11.7	9.8	8.3
			First Hour Supply Liters/Hr	1746	1158	864	702	588	498

**Flow Rate vs Temperature Rise Curve for EVERHOT® IGI Model Series**



**\*Note: The maximum flow is based upon a minimum water pressure of 30 PSI**

# EVERHOT® IGI Model Series Dimensions



## SPECIFICATIONS

Dimensions (Inches)	Height: 25 5/8" (65.1 cm)	Width: 13 25/32" (35 cm)	Depth: 8 13/16" (22.4 cm)	Outside Vent Connection: 5" dia. (12.7 cm)	Venting Height: 2 21/32" (6.7 cm) Above top of cabinet
Clearances from Combustible Materials:	Top of water heater: 6" (15.2 cm), Front: 6" (15.2 cm), Sides: 2" (5.1 cm), Back: 0", Floor: 12" (30.5 cm), Vent/Air Intake Connectors: 0"				
Maximum/Minimum Gas Input Rating, Btu/hr.	180,000 maximum / 15,000 minimum for both Natural and L.P. Gases.				
Thermal Efficiency	84%				
Minimum/Maximum Gas Supply Pressures:	Natural Gas: Minimum: 6.0" w.c., Maximum: 10.5" w.c. Propane Gas: Minimum: 10.0" w.c., Maximum: 13.5" w.c.				
Manifold Gas Pressure	Natural Gas: 3.7" w.c. maximum input, 0.8" minimum input Propane Gas: 4.2" w.c. maximum input, 0.9" minimum input				
Venting System	Direct Vent, Power Vented, To be vented using specified coaxial vent components				
Temperature setting range:	96-160°F, Residential models, 96-180°F Commercial models with front panel temperature control				
Recommended Minimum water supply pressure	20 PSI (50-80 PSI for maximum performance)				
Maximum Water Supply Pressure	150 PSI				
Electrical Rating	120 volts, 60 Hz,				
Electrical Consumption	Normal operation: 75 watts, Anti-frost protection (when required): 100 watts				
Ignition System	Direct Spark Ignition				
Water Flow Control	Water flow sensor, microprocessor controlled water flow solenoid, bypass solenoid				
Noise Level	49 dbA				
Weight	49 Lbs. (22 Kg)				



## SECTION III: GENERAL INFORMATION

### FEATURES

The Bradford White EVERHOT® IGI series tankless water heater is a high output, high efficiency appliance, which heats the water continuously as hot water is being drawn for use. Unlike tank type storage water heaters, this water heater does not store hot water. The burner operates whenever there is a demand for hot water and is off when the hot water flow stops. Hot water is continuously supplied for any length of time required, as long as the specified flow rates are not exceeded. There is no need to set the temperature higher than required for sufficient capacity. The EVERHOT water heater has sufficient capacity to supply several hot water faucets simultaneously. The hot water flow capability will be dependent upon the temperature of the outlet water selected. More detail can be found at the beginning of Section II, "Specifications" section in this Installation and Operating Instruction Manual. Your plumbing professional should determine your hot water requirements before installing this water heater to be sure the capacity is sufficient for your application.

- The IGI series water heaters are designed to be installed on or near an outside wall for indoor installation only. The water heater is compact (23 1/2" (59.7 cm) H x 13 5/8" (34.6 cm) W x 8" (20.3 cm) D) and mounts on a wall using the supplied wall bracket. No floor space is needed and the water heater can be mounted at a height convenient for servicing.
- The weight is less than 50 pounds (23 Kg) and can be installed by 1 person.
- The burners ignite within 3 seconds of water flow (1/2 gallon/minute (1.9 L/m) minimum) by direct spark ignition. There is no standing pilot.
- A variable speed combustion air blower forces the combustion air supply into the burner compartment.
- Direct vent design uses only outside air for combustion. The venting system is a coaxial design requiring a single 5 1/4" (13.3 cm) hole through the outside wall or roof. Vent pipe fittings have internal gaskets for a tight seal to prevent leakage of flue products and combustion air.
- The burner flame is continuously monitored and modulated to match the heating requirements of the water flow. Temperature and flow sensors continually monitor the water flow and outlet water temperature and adjust the burner and combustion air blower to maintain temperature.
- The IGI model series have a digital temperature control integrally mounted to project through the front panel of the water heater. The outlet water temperature is adjustable from 96-160°F for residential models (IGI-180R series) or 96-180°F for commercial models (IGI-180C series). The front panel temperature control also displays fault codes if the water heater malfunctions to assist with servicing the water heater. No installation is required for the main temperature control.
- In addition to the main temperature controller, up to two optional bathroom temperature controls are available on the residential models for setting the water temperature in the bathroom fixtures up to 120°F.
- The heat exchanger coil is provided with anti-freeze heaters for protection in cold climate conditions to ambient temperatures as low as -30°F (-34°C). Drain solenoids should be installed to drain the water heater in the event of a power failure.
- The water heater is very quiet in operation.

## SECTION IV: INSTALLATION INSTRUCTIONS

### WARNING

**INSTALLATION OF THIS WATER HEATER REQUIRES ABILITY EQUIVALENT TO THAT OF A LICENSED PLUMBER. PLUMBING, AIR SUPPLY, VENTING, GAS SUPPLY AND ELECTRICAL WORK ARE REQUIRED.**

**DO NOT ATTEMPT TO LIGHT ANY GAS APPLIANCE IF YOU ARE NOT CERTAIN OF THE FOLLOWING:**

- Liquefied petroleum gases/propane gas and natural gas have an odorant added by the gas supplier that aids in detection of the gas.
- Most people recognize this odor as a “sulfur” or “rotten egg” smell.
- Other conditions, such as “odorant fade” can cause the odorant to diminish in intensity, or “fade”, and not be as readily detectable.
- If you have a diminished sense of smell, or are in any way unsure of the presence of gas, immediately contact your gas supplier from a telephone in another building.
- Gas detectors are available. Contact your gas supplier or plumbing professional for more information.

Liquefied petroleum gases/propane gas is heavier than air and will remain at floor level if there is a leak. Basements, crawl spaces, closets and areas below ground level will serve as pockets for accumulation of leaking gas. Before lighting, smell all around the appliance area for gas. Be sure to smell next to the floor.

**IF YOU SMELL GAS:**

- Do not try to light any appliance.
- Do not touch any electric switch; do not use any telephone in your building.
- Immediately call your gas supplier from a telephone in another building. Follow the gas supplier’s instructions.
- If you cannot reach your gas supplier, call the fire department.

**DO NOT OPERATE THE APPLIANCE UNTIL THE LEAKAGE IS CORRECTED!**

### WARNING

This water heater must be located in an area where leakage of the heat exchanger coil, water line connections, or the pressure relief valve will not result in damage to the area adjacent to the water heater or to lower floors of the structure. When such locations cannot be avoided, a suitable drain pan must be installed under the water heater. The drain pan depth must be suitable for draining and collecting water, and have a minimum length and width of at least four (4) inches (10.2 cm) measured from the jacket of the water heater. The drain pan, as described above, can be purchased from your plumbing professional. The drain pan must be piped to an adequate drain. The piping must be at least ¾ inch (1.9 cm) in diameter and pitched for proper drainage.

## WARNING

- This water heater is suitable for potable water heating only. **DO NOT** use this water heater for space heating or combination space heating/domestic water heating.
- This water heater is not suitable for use in pool or spa applications.
- The water heater must be installed indoors using the proper venting system components for combustion air supply and discharging flue products to the outdoors. Contact the supplier of this water heater or Bradford White for venting components.
- **DO NOT** operate this appliance without the vent piping connected.
- All pipe joints should be taped to help prevent leakage around joints.

## WARNING

Pressure relief valve discharge piping must be piped near floor to eliminate potential of severe burns. Do not pipe in any area where freezing could occur. Do not install any shut-off valves, plugs or caps to the temperature and pressure relief valve or piping.

## CAUTION

If building cold water supply has a back-flow preventer, check valve or water meter with check valve, provisions for thermal expansion of water in the hot water system must be provided.

## DANGER

Temperature setting should not exceed safe temperature at fixtures. See water temperature control warning in the "Temperature Adjustment" section of this Installation and Operating Instruction Manual. If higher preheat temperatures are necessary to obtain adequate booster output, add an ASSE approved mixing valve for hot water supplied to fixtures.

### **UNPACKING**

**INSPECT SHIPMENT** carefully for any signs of damage.

1. All equipment is carefully manufactured, inspected and packed.
2. Any claims for damage or shortage in shipment must be filed immediately with Bradford White Corporation and noted on the Bill of Lading.
3. Open the vent kit carton (shipped separately) and inspect the venting components for damage.

### **WATER HEATER LOCATION:**

1. The IGI series water heaters may be vented either horizontally through an outside wall or vertically through the roof using the venting components designed for this water heater. Contact your Bradford White supplier to order the required venting components. The venting system should be as short as possible. Refer to the Venting System Installation section of this Installation and Operating Instruction Manual for the vent terminal location restrictions before choosing a final location for the water heater.
2. The water heater must be installed on a wall capable of supporting at least 50 pounds (23 Kg). Locate the water heater at a height convenient for servicing and above the reach of small children.
3. Minimum clearance to combustible material is 6" (15.2 cm) from the Top and Front, 0" from the Rear, 2" (5.1 cm) from the Sides, 12" (30.5 cm) from the Bottom, and 0" from the Vent

Connectors of this water heater. However, it is recommended that at least 12" (30.5 cm) from the top and 24" (61 cm) from the front be provided for servicing.

4. If the water heater is installed in a confined space, such as a closet, ventilation air must be provided to prevent increased room temperature. Excessive ambient temperatures surrounding the water heater may shorten the life of the controls.

### **REMOVE CARTON**

Move water heater to a location near where it will be installed. Carefully slide water heater out from the carton and remove all the contents.

### **MOUNT WATER HEATER ON THE WALL**

Determine the proper height and location for the water heater to be installed. Consider the venting system as well as the water and gas connections. Allow enough room for servicing the water heater and maintain the clearances from combustible materials previously stated. The water heater is supported on the wall by means of a top and bottom slotted angle bracket. For convenience, the center hole of the bracket is slotted so that a center screw may be first installed in the wall for hanging the water heater on the wall. Two more screws are then added on the ends of the bracket to secure the water heater. Wall anchors should be used for the bracket holes unless the bracket lines up with a stud. As an alternative, a suitable piece of plywood may be cut to span the wall studs and the brackets fastened to the plywood. Make sure the anchors are rated to support the 50 pound (23 kg) weight of the water heater.

## SECTION V: WATER CONNECTIONS

### WARNING

Failure to install and maintain a new, listed pressure relief valve will release the manufacturer from any claim, which might result from excessive temperature and pressures.

Keep clear of the pressure relief valve discharge line outlet. The discharge may be hot enough to cause scald injury. The water is under pressure and may splash.

### WARNING

DO NOT reverse the inlet and outlet (cold and hot water) connections on the water heater. This may cause a hazardous operating condition or the water heater may be inoperable

### WATER QUALITY

The EVERHOT® water heater must have the water quality within the following limits for long life and reliable operation. The water supply should be tested to make sure the quality is within the specified limits. If there is a problem with the water quality, contact your local water conditioning company for equipment to condition the water supply to this appliance.

### NOTICE

Operating this water heater with water conditions outside the specified limits will void the warranty.

Description	pH	TDS (Total Dissolved Solids)	Total Hardness	Aluminum	Chlorides	Copper	Iron	Manganese	Zinc
<b>Maximum Levels</b>	6.5 to 8.5	Up to 500 ppm	Up to 200 ppm or 11.7 grains hardness	Up to 0.2 ppm	Up to 250 ppm	Up to 1.0 ppm	Up to 0.3 ppm	Up to 0.05 ppm	Up to 5 ppm

### **Lime Condition Warning Signal:**

If the EVERHOT® water heater is operated under hard water conditions without a water conditioner, the error code "LC" may flash on the remote temperature display. This code means the heat exchanger coil is beginning to accumulate scale deposits and MUST be flushed (see Section X, "Flushing Procedure for Lime Scale Removal..."). Contact your installer for a qualified service technician to flush the heat exchanger. A water conditioner may be needed to prevent this condition from reoccurring.

### NOTICE

Failure to flush the appliance when "LC" is flashing will cause damage to the heat exchanger. Damage caused by lime or scale build up is not covered by the water heater warranty.

### INSTRUCTIONS FOR CONNECTIONS

1. BEFORE PROCEEDING WITH THE INSTALLATION, CLOSE THE MAIN WATER SUPPLY VALVE. After shutting off the main water supply, open a faucet to relieve the water line pressure to prevent any water from leaking out of the pipes while making the water connections to the water heater. The COLD water inlet and HOT water outlet are identified on the bottom casing of the water heater. Make the proper plumbing connections between the water heater and the

plumbing system to the house. All soldering materials and piping must be compatible with potable water. Unions should be installed on both the hot and cold water lines for future servicing and disconnection of the water heater. Install a shut-off valve in the cold water supply line.

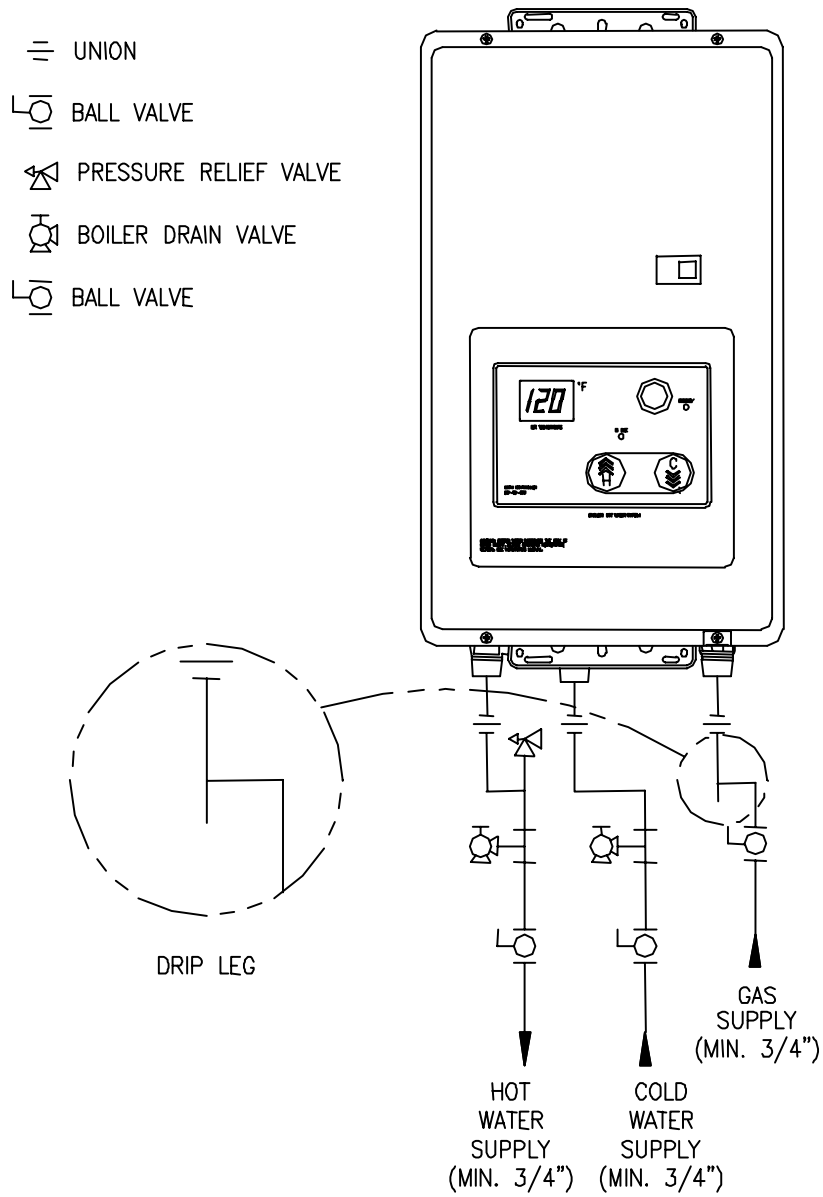
2. In order to service the water heater in the event the heat exchanger needs to be flushed of lime deposits, tee fittings with shut off valves and service connections to hoses should be installed. Also install a shut off valve to the hot water supply to isolate the service tee fittings. A plumbing installation kit, which includes these fittings and a pressure relief valve, is available from your supplier. Refer to the piping diagrams (fig. 1-4) in Section V, "Water Connections".
3. Install a pressure relief valve on a tee connection from the hot water outlet piping from the water heater. Refer to the piping diagrams (fig. 1-4) and pressure relief valve warning in Section V, "Water Connections".
4. In cold climates where piping can freeze during an extended power failure, drain solenoid valves should be installed on the cold and hot water supply lines to allow water to drain from the water heater when power is interrupted. Refer to the piping diagram (fig. 3) "Recommended Piping for Power Failure Freeze Protection" in Section V and contact your Bradford White dealer if assistance is needed.
5. If this water heater is installed in a closed water supply system, such as the one having a back-flow preventer in the cold water supply, provisions must be made to control thermal expansion. **DO NOT** operate this water heater in a closed system without provisions for controlling thermal expansion. Warranties do not cover damages from thermal expansions such as pressure bulges and/or deformities. Your water supplier or local plumbing inspector should be contacted on how to control this situation.
6. Purge the cold water line prior to connecting to the water heater to remove debris. Debris will clog the mesh strainer of the inlet filter. The inlet strainer prevents debris from damaging the flow sensor or clogging the coil. It may need to be cleaned periodically and should be cleaned after the initial operation. **DO NOT operate the water heater without the filter in place.**
7. After installation of the water lines, open the main water supply valve and fill the water heater. While the water heater is filling, open several hot water faucets to allow air to escape from the water system. When a steady stream of water flows through the faucets, close them and check all water connections for possible leaks.
8. This water heater may also be connected to a circulating pump or storage tank for increased flow capacity during high demand periods. Refer to the suggested piping diagrams (fig. 2 & 4) in Section V to be used as a guide.
9. Commercial installations may require more than one water heater piped together in a manifold to supply enough capacity for high temperature and high water flow applications. Special controls are available from your Bradford White supplier for operating more than one water heater together. These controls stage the operation of the water heaters for the flow rates and control the amount of flow through each water heater. Order part# 239-44511-00 for the electronic manifold control for the first and second water heater and part# 239-44512-00 for the wiring harness for each additional water heater to be controlled. Instructions are included with these parts. Use the piping diagram in figure 4 in Section V as a guide.

## NOTICE

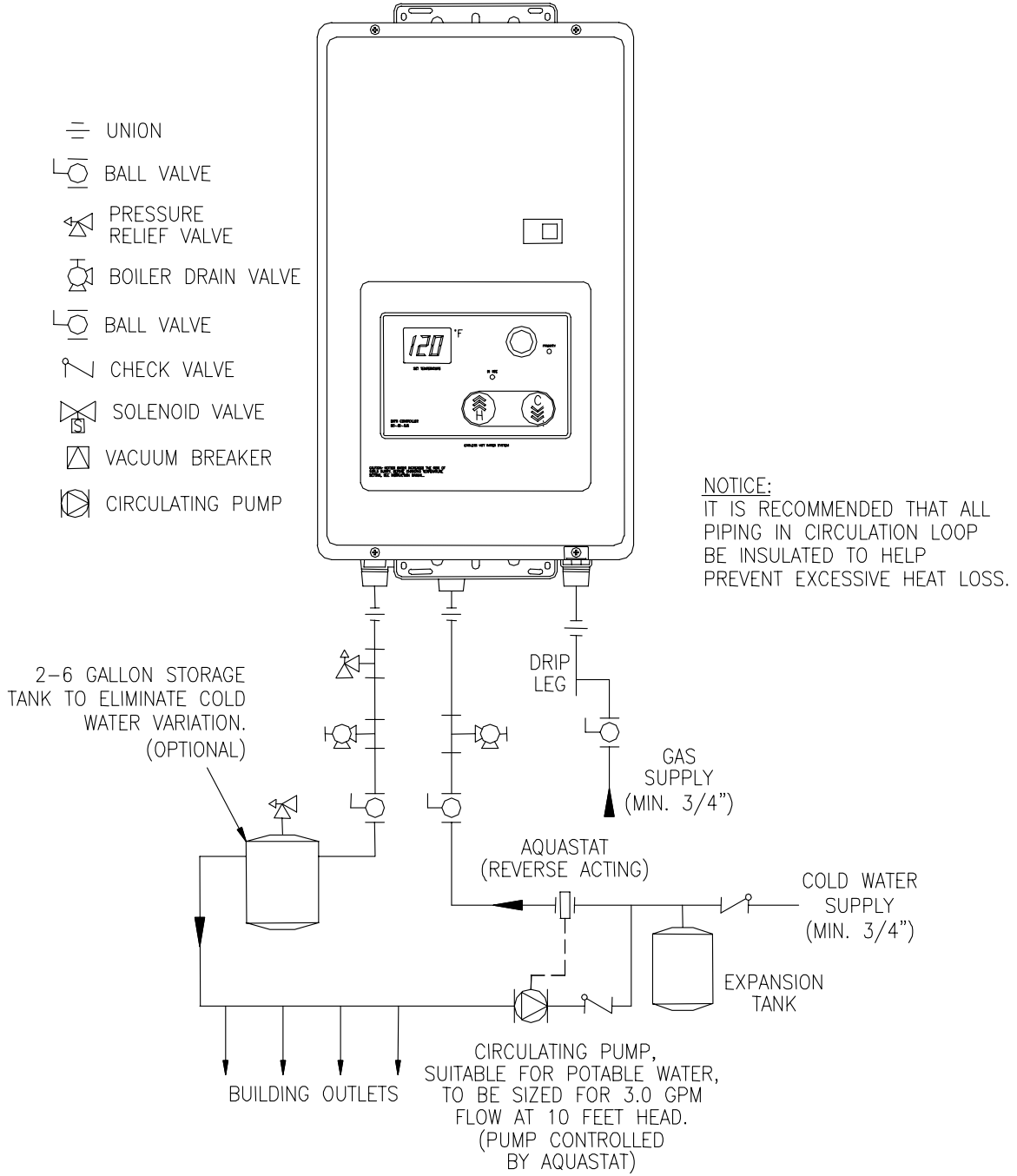
Take care when using pipe dope or Teflon tape to avoid clogging the inlet screen and water flow sensor. Wipe off excess pipe dope from threads before connecting to the water heater.

Commercial dishwashers will require either more than one water heater, or a storage tank to supply a sufficient volume of hot water.

**Recommended Piping for a Basic Installation (Fig. 1)**



**Recommended Piping for a Circulation System (Fig. 2)**

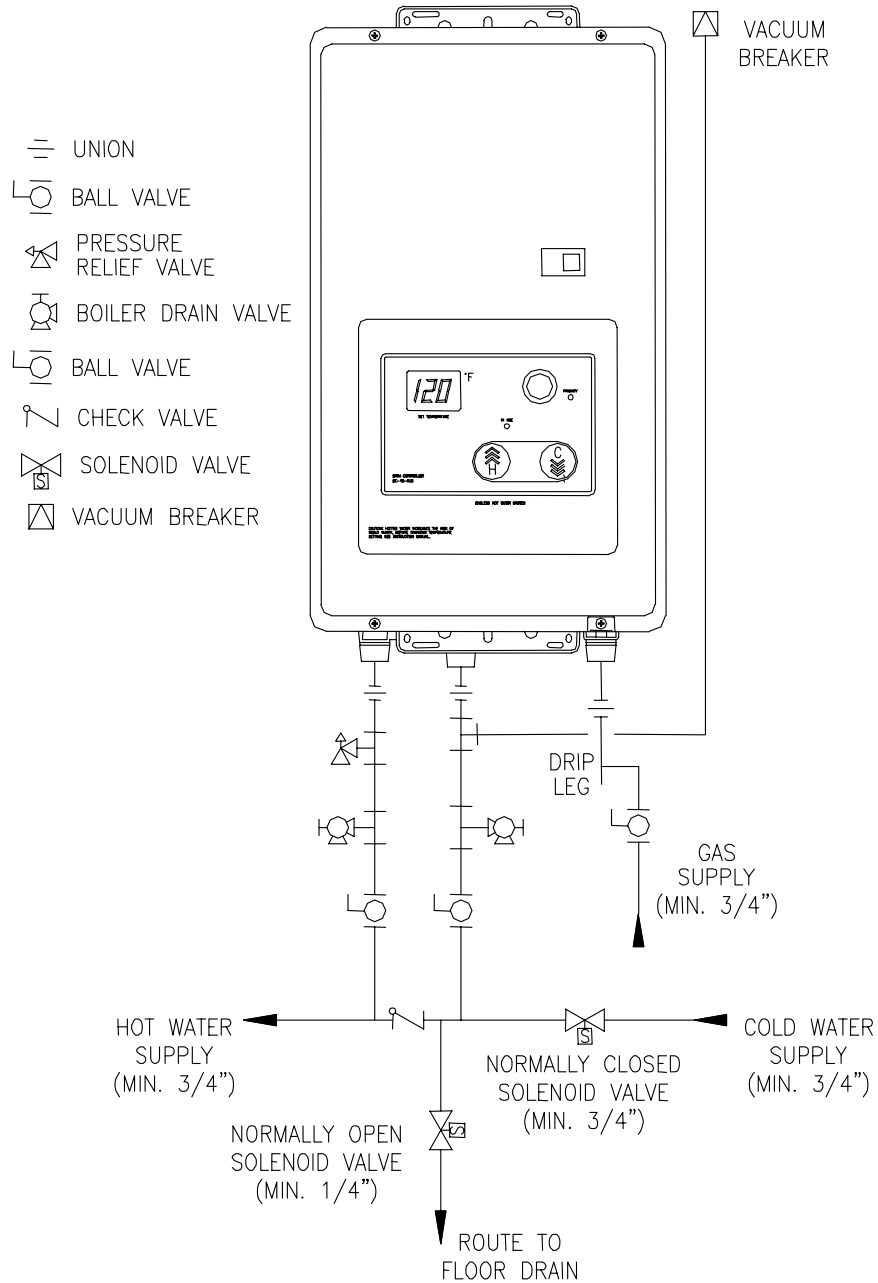




**Recommended Piping for Power Failure Freeze Protection**

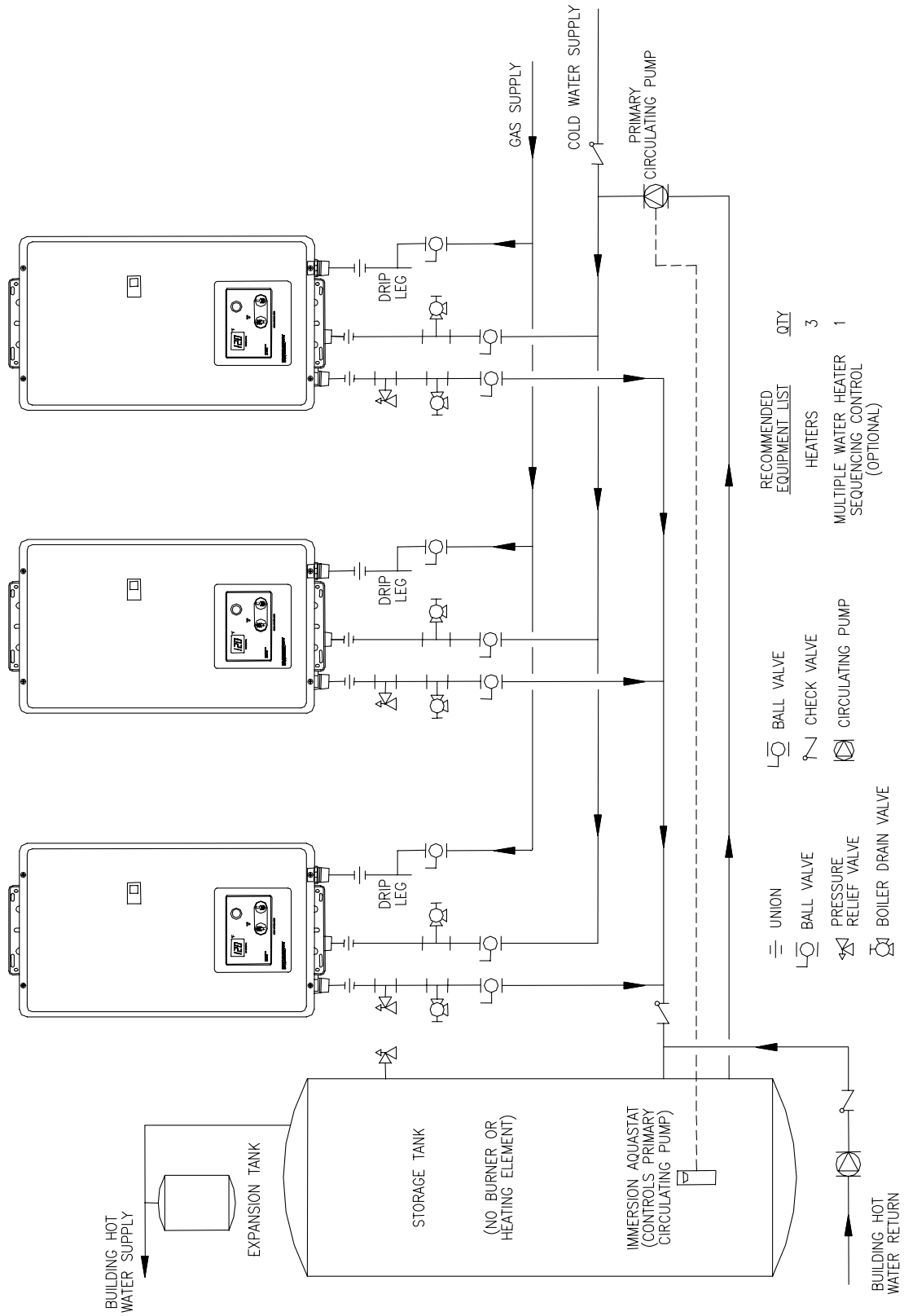
As long as electrical power and gas are supplied to the EVERHOT® water heater, freeze protection is provided to the heat exchanger and piping inside the water heater with ambient temperatures as cold as -30°F (-34°C), when protected from direct wind exposure. In the event of a power failure with ambient temperatures below freezing, the water heater must be drained of all water to prevent freeze damage. The water heater may be drained manually, or automatically, through the installation of the optional solenoid valves as shown in the following illustration. The drain solenoids are recommended for very cold climates to prevent water heater freeze damage where power failures from ice and windstorms occur.

The electrical connections for the two solenoids must be tied to the 120 volt main power supply (black and white wires). When the electrical power to the water heater fails, the 3/4" solenoid on the cold water inlet pipe closes, stopping water flow into the water heater. The 1/4" solenoid opens, allowing the water heater and connected piping to drain. Make sure the piping from the drain solenoid is run to a suitable drain or outside the building to prevent water damage.



**Drain Solenoid Piping (Fig. 3)**

**Recommended Piping for Back-up Storage System  
For hotels, motels, and other high flow applications (Fig. 4)**



**Note: The Primary Circulator for the water heating loop must be sized for 21 GPM @ 35 Ft. Head**

 **WARNING**

**Keep clear of the pressure relief valve discharge line outlet.** The discharge may be hot enough to cause scald injury. The water is under pressure and may splash.

For protection against excessive pressure, install pressure protective equipment required by local codes, but not less than a pressure relief valve certified by a nationally recognized testing laboratory that maintains periodic inspection of production of listed equipment or materials as meeting the requirements of the Standard for *Relief Valves and Automatic Gas Shutoff Devices for Hot Water Supply Systems, ANSI Z21.22* and the Standard *CAN1-4.4 Temperature, Pressure, Temperature and Pressure Relief Valves and Vacuum Relief Valves*. The pressure relief valve must be marked with a maximum set pressure not to exceed the maximum working pressure of the water heater. The pressure relief valve rating must not be less than the hourly rating of the water heater

Install the pressure relief valve into a tee connection from the hot water outlet of the water heater.

Note: Some models may already be equipped or supplied with an installed pressure relief valve. Verify that the pressure relief valve complies with local codes. If the pressure relief valve does not comply with local codes, replace it with one that does. Follow the installation instructions above on this page

Install a discharge line so that water discharged from the pressure relief valve will exit within six (6) inches (15.2 cm) above, or any distance below the structural floor and cannot contact any live electrical part. The discharge line is to be installed to allow for complete drainage of both the combination temperature and pressure relief valve and the discharge line. The discharge opening must not be subjected to blockage or freezing. **DO NOT** thread, plug or cap the discharge line. It is recommended that a minimum clearance of four (4) inches (10.2 cm) be provided on the side of the water heater for servicing and maintenance of the pressure relief valve.

**Do not place a valve between the pressure relief valve and the hot water outlet!**

## SECTION VI: VENTING

### WARNING

The venting system must be properly installed. Failure to properly install the vent system could result in property damage, personal injury, or death.

**DO NOT** install damaged venting system components. If damage is evident then please contact the supplier where the water heater was purchased or the manufacturer listed on the rating plate for replacement parts.

Use only the vent terminals and vent/air intake components available for venting this water heater.

The water heater requires its own separate venting system. Do not connect the exhaust vent into an existing vent pipe or chimney.

All vent pipe joints must be taped with aluminum tape to prevent leakage. Make sure all pipe connections are firmly pressed together so that the gaskets make a tight seal.

All of the exhaust venting connections must be leak checked with a soap solution upon initial start up of the water heater. Any leaks must be repaired before continuing operation of the water heater.

Do not terminate the venting where noise from the exhaust or intake will be objectionable. This includes locations close to or across from windows and doors. Avoid anchoring the vent and intake pipes directly to framed walls, floors, or ceilings unless rubber isolation pipe hangers are used. This prevents any vibrations from being transmitted into the living spaces.

Do not exceed the venting distances or the number of elbows listed in this manual. Exceeding the maximum venting distances may cause the water heater to malfunction or cause an unsafe condition.

### CAUTION

The vent shall terminate a minimum of 12 inches above expected snowfall level to prevent blockage of the vent termination.

### NOTICE

Before beginning installation of any vent pipe components, read the vent pipe manufacturer's installation instructions.

Water heater must be protected from freezing downdrafts, or drained during shutdown periods.

Provide protection of the building materials from degradation by flue gases from the exhaust vent terminal.

## VENTING

The venting instructions must be followed to avoid restricted combustion or recirculation of flue gases. Such conditions cause sooting or risks of fire and asphyxiation.

This water heater is a direct vent design with a single coaxial vent tube in which the flue products are discharged to the outdoors through the center flue tube and combustion air from outdoors is taken through the outside intake air pipe surrounding the center flue exhaust pipe. All venting components are ordered separately from the supplier of this water heater and must use the venting components designed for the EVERHOT® IGI series water heater. The EVERHOT standard horizontal vent kit available for this water heater consists of one 90° horizontal discharge adapter and one horizontal vent termination kit. These components are suitable for mounting on an outside wall. If longer venting distances are required, additional venting components are available from the supplier of the water heater.

### NOTICE

The minimum and maximum wall thickness for sidewall venting are: 4" (10.2 cm) Minimum, 20" (50.8 cm) Maximum.

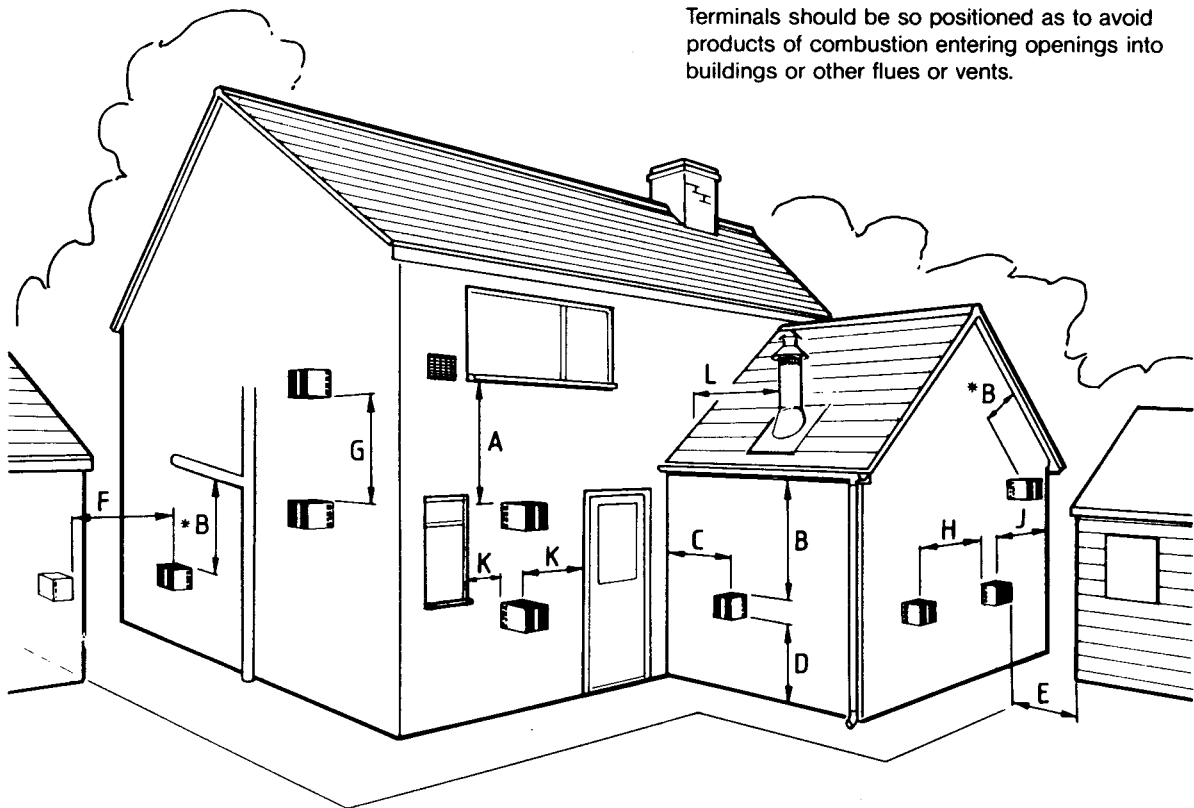
## VENT/AIR INTAKE TERMINAL LOCATIONS

### Direct Vent Terminal Location

Plan the vent system layout so that proper clearances are maintained from plumbing and wiring. Before the vent is installed, determine the vent pipe termination location as shown below in the Vent Terminal Location illustration.

### Vent/Air Intake Terminal Positions – MINIMUM DIMENSIONS

Ref	Description	Distance in Inches (cm)
A	Directly below an air opening or window	12" (30.5 cm)
B	Below a gutter or eaves	36" (91.4 cm)
C	From any internal corner	12" (30.5 cm)
D	Above ground or the anticipated snow level	12" (30.5 cm)
E	From an opposing wall or structure facing the Terminal	24" (61 cm)
F	From a Terminal facing a Terminal	48" (121.9 cm)
G	Vertically between two Terminals on the same wall	60" (152.4 cm)
H	Horizontally between two Terminals on the same wall	12" (30.5 cm)
J	From any external corner	12" (30.5 cm)
K	Horizontally from any air opening, window or door.	12" (30.5 cm)
L	Vertical Flue from wall (Flat or Pitched Roof)	24" (61 cm)



Vent terminals must terminate at least 3 feet (0.9 m) above any forced air inlet located within 10 feet (3.1 m). This provision does not apply to:

1. The combustion air intake of a direct vent appliance or the circulating air inlet and flue gas discharge of listed outdoor appliances.
2. The exhaust vent terminal must be installed with at least 12 inches (30 cm) of clearance from any air opening into a building.
3. The bottom of the exhaust vent and combustion air intake terminals must be located at least 12 inches (30 cm) above grade and above the anticipated snow level.
4. Must be installed at least 3 feet (0.9 m) from any gas meter, gas valve or other gas regulating equipment.
5. Must be installed in a location where it will not be blocked by snow.

#### **EXCEPTIONS FOR INSTALLATIONS**

The vent terminal must not terminate:

1. Directly above a paved sidewalk or paved driveway which is located between two single-family dwellings and serves both dwellings;
2. Less than 7 feet (2.1 m) above a paved sidewalk or a paved driveway located on public property;
3. Above a gas meter/regulator assembly within 3 feet (0.9 m) horizontally of the vertical centerline of the regulator;
4. Within 6 feet (1.8m) of any gas service regulator vent outlet;
5. Less than 1 foot (30.5 cm) above grade level and the anticipated snow level;
6. Within 12 inches (30.5 cm) of a window or door, which can be opened in any building, any non-mechanical air supply inlet to any building, or the combustion air inlet of any other appliance;
7. Underneath a veranda, porch or deck, unless:
  - The veranda, porch or deck is fully open on a minimum of two sides beneath the floor and
  - The distance between the top of the vent termination and the underside of the veranda, porch or deck is greater than 1 foot (30.5 cm).

The vent system must terminate so that proper clearances are maintained as cited in local codes or the latest edition of the National Fuel Gas Code, ANSI Z223.1.73.4e and 7.8a, b as follows:

1. Do not terminate the exhaust vent terminal over public area where condensate or vapor can cause nuisance or hazard.
2. For direct vent, the venting system shall terminate at least 1 foot (0.3 m) below, 1 foot (0.3 m) horizontally from or 1 foot (0.3 m) above any door, window, or gravity air inlet into building.
3. The manufacturer also recommends the vent system terminations not be installed closer than 1 foot (0.3 m) from an inside corner of an L shaped structure.
4. The horizontal distance between two vent terminals on the same wall shall be 1 foot (0.3 m), while the vertical distance between two terminals on the same wall shall be 5 feet (1.52 m).
5. The distance between two facing vent terminals shall be 4 feet (1.22 m)
6. The vent termination shall not be mounted directly above or within 3 (0.9 m) feet horizontally from an oil tank vent or gas meter to avoid potential freeze-up from condensation.
7. The vent shall terminate a minimum of 12 inches (30.5 cm) above expected snowfall level to prevent blockage of vent termination.

Vent pipes serving power vented appliances are classified by building codes as “vent connectors”. Required clearances from combustible materials must be provided in accordance with information in this manual under LOCATION OF WATER HEATER and CLEARANCES, and with National Fuel Gas Code and local codes.

## Venting Table – Examples of Maximum Venting Distances with Various Elbow Combinations

Maximum Straight Pipe Distance	Number of 90 degree elbows	Number of 45 degree elbows	Maximum Total Equivalent Feet (meters) of Vent Pipe
35 Ft. (10.7 m)	1		41 (12.5 m)
29 Ft. (8.8 m)	2		41 (12.5 m)
23 Ft. (7.0 m)	3		41 (12.5 m)
17 Ft. (5.2 m)	4		41 (12.5 m)
33.5 Ft. (10.2 m)	1	1	41 (12.5 m)
32 Ft. (9.8 m)	1	2	41 (12.5 m)
27.5 Ft. (8.4 m)	2	1	41 (12.5 m)

### NOTICE

Each 90 degree elbow is equivalent to 6 feet in straight vent pipe length. Each 45 degree elbow is equivalent to 1.5 feet (0.46 m) in straight pipe length. The total maximum equivalent vent pipe distance cannot exceed 41 feet (12.5 m) for horizontal venting distance. The maximum vertical height for through the roof venting cannot exceed 21 feet (6.4 m). A condensate collector must be used if the venting system height is more than 5 feet (1.52 m) above the water heater.

### VENTING SYSTEM LAYOUT

Refer to the preceding illustration and location requirements for location of the vent terminal and also local and state codes. In the absence of local codes, refer to the latest edition of the National Fuel Gas Code ANSI Z223.1/NFPA 54. Keep the venting system as short as possible and keep the number of elbows used to a minimum. The water heater may be vented directly through the wall (horizontally) or vertically through the roof. **In all cases, the maximum equivalent length of vent pipe allowed is 41 feet (12.5 m). For vertical venting, the maximum height is limited to 21 feet (6.4 m).** To calculate the total equivalent feet of vent pipe use the following formula:

$$D = L + (EL90 \times 6) + (EL45 \times 1.5) \quad \text{For Length in Feet}$$

$$D = L + (EL90 \times 1.83) + (EL45 \times 0.46) \quad \text{For Length in Meters}$$

D = Total Equivalent Length of venting System  
 L = Length of straight section of vent/air intake pipe in feet  
 EL90 = Number of 90 degree elbows.  
 EL45 = Number of 45 degree elbows

The venting table above provides examples of maximum venting distances with various elbow combinations.

The Bradford White Everhot® IGI model series has dedicated venting system components, which must be ordered separately. Review the “Venting System Installation Instructions” and the venting components in the parts list to determine the venting system layout and parts required. A Standard Vent Kit is available for outside through the wall venting installations. The Standard Vent Kit consists of: one 90° discharge adapter and one horizontal vent termination kit. If this type of vent installation is not possible, contact your Bradford White supplier for additional venting components illustrated at the back of this instruction manual.

If the vent termination height above the water heater exceeds 5 feet (1.5 m), then a condensate collector (available from your Bradford White supplier) will be required within 5 feet of the vent connection of the water heater to collect condensate from the vent pipe. The condensate collector has a 3/4” outside diameter male plastic tube for connecting to 3/4” CPVC pipe to be routed to a suitable drain. Refer to the “Venting System Installation Instructions” inside the water heater carton and in this manual for illustrations and a detailed procedure for the assembly of venting components and the venting installation.

## VENTING SYSTEM INSTALLATION

Reference the preceding section and venting components illustrations at the end of this manual to determine the parts required for your particular venting system installation. The required venting component parts are available from your Bradford White supplier. Use the Venting System Installation Instructions supplied inside the carton of this water heater for detailed instructions on putting together the venting components.

### WARNING

The vent system must be properly installed. Failure to properly install the vent system could result in property damage, personal injury, or death. The installation and service must be performed by a qualified installer, service agency or the gas supplier. Installation must meet all state and local codes regarding installation and location of vent systems for direct vent appliances.

**DO NOT** install damaged venting system components. If damage is evident then please contact the supplier where the water heater was purchased or the manufacturer listed on the rating plate for replacement parts.

Use only the vent terminals and vent/air intake components available for venting this water heater. Contact your Bradford White supplier for obtaining the venting components required for your installation.

The water heater requires its own separate venting system. Do not connect the exhaust vent into an existing vent pipe or chimney.

All vent pipe joints must be taped with aluminum tape to prevent leakage. Make sure all pipe connections are firmly pressed together so that the gaskets make a tight seal.

All of the exhaust venting connections must be leak checked with a soap solution upon initial start up of the water heater. Any leaks must be repaired before continuing operation of the water heater.

Do not terminate the venting where noise from the exhaust or intake will be objectionable. This includes locations close to or across from windows and doors. Avoid anchoring the vent and intake pipes directly to framed walls, floors, or ceilings unless rubber isolation pipe hangers are used. This prevents any vibrations from being transmitted into the living spaces.

Do not exceed the venting distances or the number of elbows listed in this manual. Exceeding the maximum venting distances may cause the water heater to malfunction or cause an unsafe condition.

### **Prior to the Installation of the EVERHOT® direct vent system:**

The EVERHOT IGI series has two adjustable wall mounting support brackets fitted on the top and bottom of the water heater casing. When installing a "Standard Vent Discharge Kit" to vent directly out the wall to the back of the water heater, these brackets should be adjusted so that the water heater is moved out the maximum 2" (5.1 cm) away from the wall. Before cutting the vent terminal to the required length, ensure that the distance the water heater is away from the wall has been accounted for.

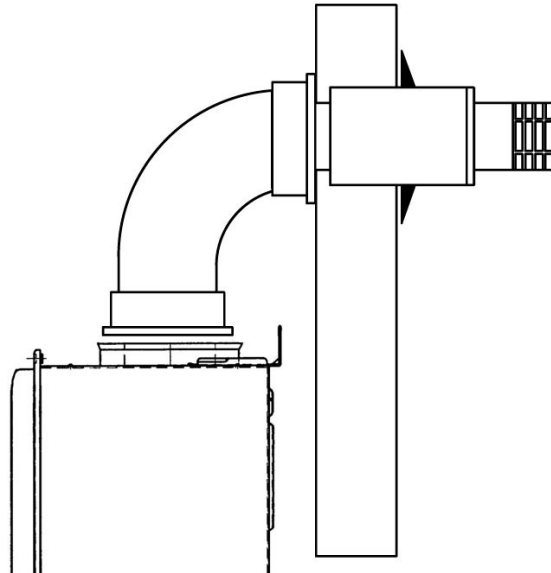
### **Horizontal Direct Vent Installations**

Whenever possible, install the EVERHOT IGI series water heater on or near an outside wall for the shortest vent with the least number of elbows. The standard vent kit available for this water heater consists of one 90° vent discharge adapter and a horizontal vent termination kit. This kit is for venting directly through an outside wall.



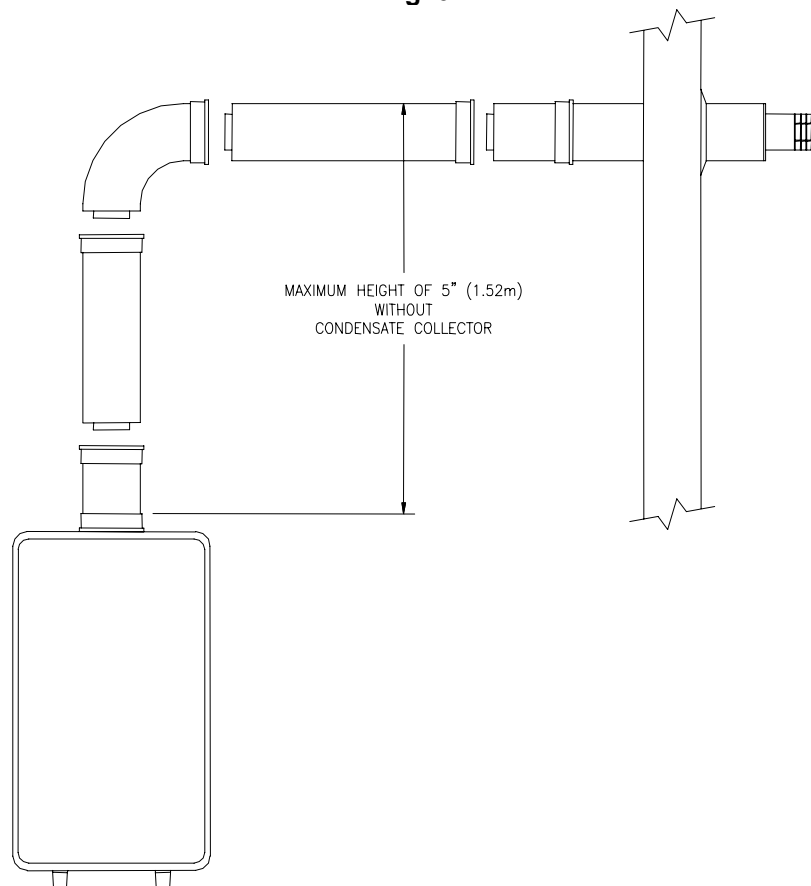
**Horizontal Direct Vent using standard vent kit components:**

**Fig. 5**



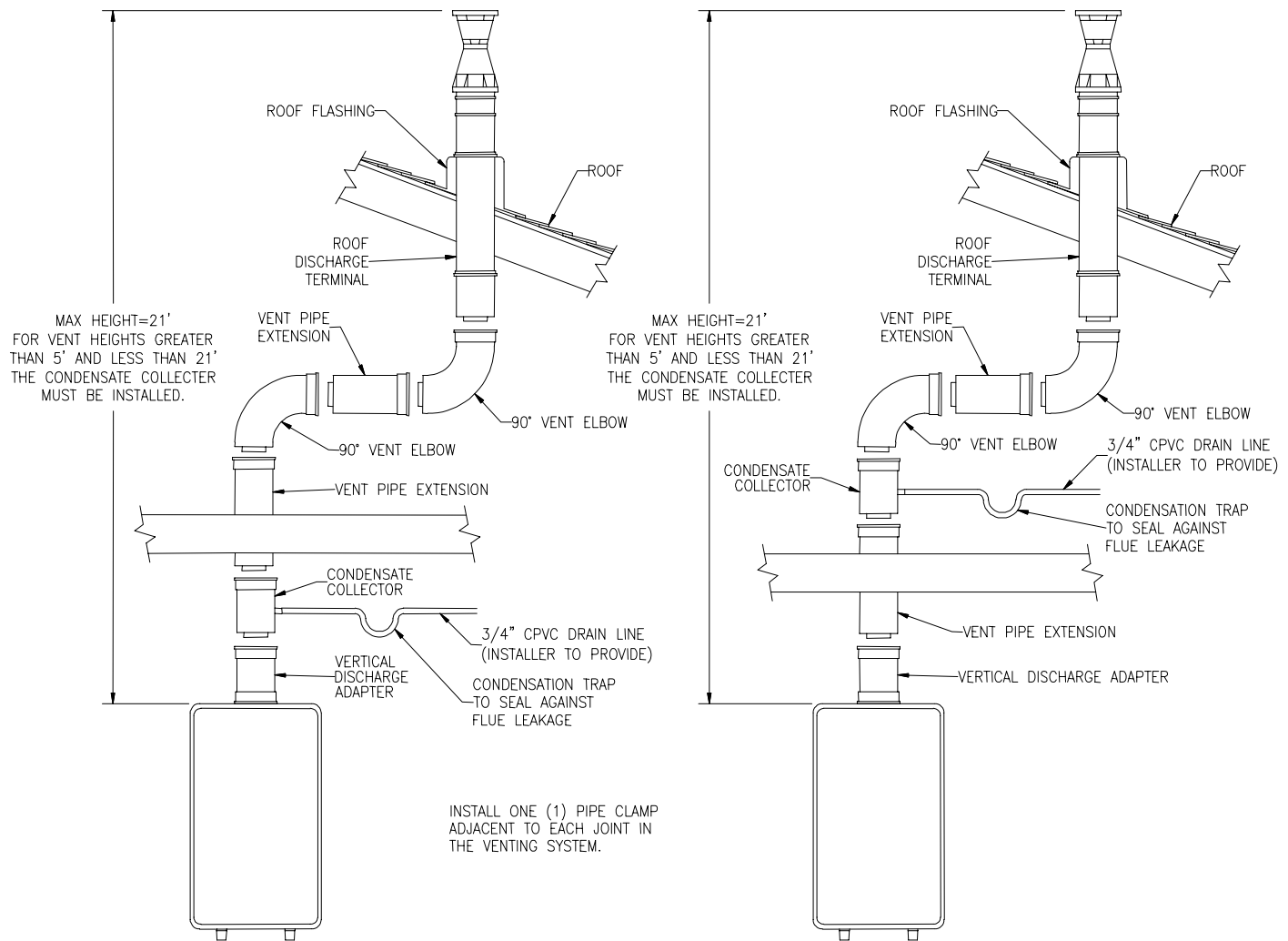
For installations on interior walls, venting components may be purchased from your Bradford White supplier to extend the venting distance using extension tubes and elbows. Use the formula and venting table shown previously in this installation manual to calculate the total equivalent distance of vent pipe. Do not exceed the maximum of 41 equivalent feet (12.5 m). If the height of the vent pipe is extended 5 feet (1.5 m) or more above the top of the water heater, then a condensate collector must be used. Refer to the parts list at the end of this instruction manual and the Venting System Installation Instructions supplied with the water heater for available venting components and detailed instructions on fitting the components together.

**Horizontal Direct Vent using extension components for longer vent runs:  
Fig. 6**



### **Vertical Direct Vent Installations**

The EVERHOT® IGI series water heater can also be installed to vent vertically through the roof using a vertical discharge adaptor, optional vent extension tubes, a condensate collector, a roof terminal, and a universal lead tile. In addition to the total equivalent feet limit of 41 feet (12.5 m), the maximum height of the venting system is limited to 21 feet (6.4 m). A condensate collector is required on all vertical venting heights over 5 feet (1.5 m). Determine the distance in height required from the water heater and order the vent extension pipes required.



**Fig. 7 Vertical Vent Installations**

The condensate collector will require a  $\frac{3}{4}$ " CPVC pipe connection with a trap to act as a seal against discharging flue products into the room. Run the condensate line to a suitable drain. The condensate collector must be located within 5 feet (1.52 m) of the water heater vent connection.

## NOTICE

The Condensate Collector must be located within 5 feet (1.52 m) of the water heater vent connection.

## CAUTION

A trap must be installed after the condensate connection to prevent flue products from leaking into the room.

### Combustion Blower Dip Switch Settings for Vent Length Compensation Under 22 Feet (6.7 m):

To assure optimum efficiency and reduced noise levels, the combustion blower switch has two dip switch settings. Dip switch number 1 (top dip switch) is shipped from the factory set to the OFF position to compensate for the maximum vent/air intake length.

Depending upon the vent/air intake length of the installation, Dip Switch Number 1 may need to be adjusted to compensate for the venting system distance.

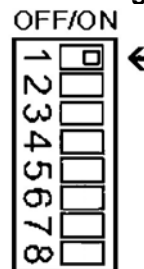
**When the Equivalent Length of vent pipe, D, is more than 22 feet (6.7 m), leave the Dip Switch Number 1 in the OFF position. This is the factory Dip Switch setting.**

**When the Equivalent Length of vent pipe, D, is 22 feet (6.7 m) or less, Dip Switch Number 1 must be moved to the ON position.**

Dip Switch #1 is located in the top row of dip switches, 1 through 8 on the PC board. See the following diagram to identify the correct switch. If you do not understand the information concerning the Dip Switch settings or the location of the Dip Switch, contact Bradford White Sales (800-523-2931) or Technical Service (800-334-3393 x3634) for assistance. Use the following examples and the previous discussion on calculating the equivalent vent length to determine the correct setting for Dip Switch #1.

Example #1:

Dip Switch Settings (Fig. 8)



You have 6 feet (1.82 m) of vent pipe and two 90° elbows.

$$D = 6 + (2 \times 6) + (0 \times 1.5)$$

D = 18 feet (5.49 m) of equivalent vent pipe

Dip Switch #1 should be moved to ON position.

Example #2:

You have 15 feet (4.57 m) of vent pipe, one 90° elbow, and two 45° elbows.

$$D = 15 + (1 \times 6) + (2 \times 1.5)$$

D = 24 feet (7.3 m) of equivalent vent pipe

Leave Dip Switch #1 in the OFF position (factory setting).

### WARNING

Do not alter Dip Switch #1 before using the formula and venting charts to determine the equivalent vent length. All other dip switches with the exception of Dip Switch #1 shown in the illustration MUST NOT be altered. Unauthorized adjustments can cause property damage, personal injury, scalding, or death.

## SECTION VII: GAS CONNECTIONS

### WARNING

Connect this water heater only to the type of gas as shown on the rating plate. Use clean black iron pipe or equivalent material approved by local codes and ordinances. (Dirt and scale from the pipe can enter the gas valve and cause it to malfunction). The inlet gas line must have at least a 3 inch (7.62 cm) drip leg (sediment trap) installed as close to the water heater's gas valve as possible. A ground joint union must be installed in the gas supply line, as close to the water heater as possible, to permit servicing of the water heater. Compounds used on the threaded joints of the gas piping must be resistant to the action of liquefied petroleum gases/propane gas. DO NOT apply pipe dope to the gas valve inlet and make certain that no pipe dope has become lodged in the inlet screen of the gas valve. Extreme care must be taken to ensure no pipe dope enters the gas valve and to avoid excessive torque when tightening the gas supply line to the gas valve. Excessive torque may result in cracking of the gas valve housing. The suggested maximum torque is 31.5 foot lbs. (4.4 kg-m). The manufacturer of this water heater will not be liable for any damage or injury caused as a result of a cracked gas inlet as a result of excessive torque.

This water heater and its gas connection must be leak tested before placing the water heater in operation. Check for gas leaks with a soap and water solution and a brush or a commercial leak detector fluid. NEVER USE A MATCH OR OPEN FLAME FOR TESTING!

The water heater is not intended for operation at higher than 10.5 inches water column, for natural gas, 13.5 inches water column for L.P. supply gas pressure. Higher gas supply pressures require supplemental reducing service regulation. Exposure to higher gas supply pressure may cause damage to the gas controls, which could result in fire or explosion. If overpressure has occurred such as through improper testing of gas lines or emergency malfunction of the supply system, the gas valve must be checked for safe operation. Make sure that the outside vents on the supply regulators and the safety vent valves are protected against blockage. These are parts of the gas supply system, not the water heater.

### WARNING

Conversion of this unit from natural gas to L.P. or L.P. to natural gas CANNOT be done in the field. If the gas supply does not match the type shown on the water heater rating plate, then contact your supplier for the proper water heater for the building gas supply.

### CAUTION

The water heater and individual shutoff valve must be disconnected from the gas supply piping system during any pressure testing of the system at test pressures in excess of ½ psi (3.5 kPa). The water heater must be isolated from the gas supply piping system by closing its manual shutoff valve during any pressure testing of the gas supply system at test pressures equal to or less than ½ psi (3.5 kPa). The supply line must be capped when not connected to the water heater.

If copper supply lines are used, they must be internally tinned and certified for gas service.

The gas supply lines must meet all requirements of the National Fuel Gas Code ANSI Z223.1 (Latest Edition), or in Canada CAN/CGA B149.1 Natural Gas Installation Code (Latest Edition) or CAN/CGA B149.2 Propane Installation Code (Latest Edition). The gas supply line may need to be larger for the EVERHOT® water heaters than a storage water heater in the case of a replacement installation. Refer to the piping capacity tables at the end of Section VII, "Gas Connections" and in the codes referenced above.

A 3" (7.6 cm) drip leg (sediment trap) is required ahead of the gas inlet connection to the water heater. See water heater installation illustration. Install a manual gas shutoff valve before the gas inlet connection to the water heater before connecting to the gas line. A union should be installed before the water heater gas connection for disconnection for servicing. Refer to the piping diagrams (Fig. 1-4) in Section V, "Water Connections".

Check the type of gas and the gas inlet pressure before connecting the EVERHOT water heater to the gas supply. If the gas supply type does not match the type shown on the water heater rating plate, then DO NOT connect the water heater. Contact your Bradford White supplier for the correct water heater.

## GAS METER SIZE –NATURAL GAS ONLY

Be sure that the gas meter has sufficient capacity to supply the full rated gas input of the water heater as well as the requirements of all other gas fired equipment supplied by the meter. If the gas meter is too small, ask the gas company to install a larger meter having adequate capacity.

## GAS PRESSURE REGULATION

Minimum and maximum gas supply pressures are listed below: The minimum gas pressure specified below is required for the full input rating specified on the water heater rating plate.

**Natural Gas:** Minimum: 6.0" w.c.  
Maximum: 10.5" w.c.

**L.P. Gas:** Minimum: 10.0" w.c.  
Maximum: 13.5" w.c.

BEFORE PLACING THE WATER HEATER IN OPERATION, CHECK FOR GAS LEAKAGE. USE SOAP AND WATER SOLUTION OR OTHER MATERIAL ACCEPTABLE FOR THE PURPOSE OF LOCATING GAS LEAKS.



## WARNING

**DO NOT use matches, candles, flame or other sources of ignition for this purpose.**

### Capacity Table for Natural Gas in Cubic Feet/Hour

(Table assumes 0.3 inch pressure drop, specific gravity of 0.60 for gas pressures of 0.5 psi or less)

Pipe Size in Inches	Length of Pipe in Feet (Meters)													
	10 (3)	20 (6)	30 (9)	40 (12)	50 (15)	60 (18)	70 (21)	80 (24)	90 (27)	100 (30)	125 (38)	150 (45)	175 (53)	200 (61)
¾"	278	190	152	130	115	105	96	90	84	79	72	64	59	55
1"	520	350	285	245	215	195	180	170	160	150	130	120	110	100
1 ¼"	1050	730	590	500	440	400	370	350	320	305	275	250	225	210
1 ½"	1600	1100	890	760	670	610	560	530	490	460	410	380	350	320

Note: After determining the length of pipe required, select the pipe size that will supply the cubic feet per hour of gas required for the input rating of the gas appliances on the line.

The formula for figuring the cubic feet per hour required is:

$$\text{CFH} = \frac{\text{Gas Input of Appliance on the Line (Btu/hr)}}{\text{Heating Value of Gas (Btu/Cu. Ft.)}}$$

The heating value may be obtained from the local natural gas utility

### Capacity Table for LP Gas in MBH of undiluted liquefied petroleum gases

(Table assumes 11 inches of water column pressure at the inlet, 0.5" press. drop)

Pipe Size in Inches	Length of Pipe in Feet (Meters)											
	10 (3)	20 (6)	30 (9)	40 (12)	50 (15)	60 (18)	70 (21)	80 (24)	90 (27)	100 (30)	125 (38)	150 (45)
½"	275	189	152	129								
¾"	567	393	315	267	237	217	196	185	173	162	146	
1"	1071	732	590	504	448	409	378	346	322	307	275	252
1 ¼"	2205	1496	1212	1039	913	834	771	724	677	630	567	511

## INITIAL OPERATION AND TESTING (INSTALLER ONLY)

1. Open the gas and water supply valves to the water heater.
2. Check for water and gas leaks. Use soap solution to check for gas leaks.
3. To check inlet supply pressure, remove the 1/8" NPT plug on the gas inlet supply fitting just below the bottom casing and install a barb fitting for attaching a hose to a manometer. For checking the gas manifold pressure, the plug is located just below the gas manifold connection inside the control panel.

4. Turn power on (after completing electrical connections – refer to Section VIII, “Electrical Connections”) and fully open a hot water tap.
5. Measure the gas pressures to see that these are within the specified limits below:  
Supply Pressure:        Nat. Gas: Min.: 6”, Max.: 10.5”  
                                     L.P. Gas: Min.: 10”, Max: 13.5” w.c.  
Manifold Pressure:      Nat. Gas: 3.7” w.c. High Fire, 0.8” w.c. Low Fire  
                                     L.P. Gas: 4.2” w.c. High Fire, 0.9” w.c. Low Fire
6. Turn off the hot water faucets. Disconnect the electrical power to the water heater. Remove the pressure gauges and replace the plugs. Check for gas leaks around the plugs.
7. Replace the front control panel. Restore electrical power to the water heater

## NOTICE

If the gas supply pressure is below the specified value, check the gas piping to insure that it is the correct size for all the gas appliances on line. Check the supply pressure with all the gas appliances in operation. The manifold pressure will vary with the water flow rate. Several hot water faucets may need to be opened with the temperature control set on the highest setting in order to get maximum high fire manifold pressure. If the manifold pressure is below the specified value and there is sufficient water pressure and flow, be sure the inlet gas pressure is within the specified limits before attempting to adjust the manifold pressure.

## SECTION VIII: ELECTRICAL CONNECTIONS

### WARNING

Turn off or disconnect the electrical power supply to the water heater before servicing. Label all wires prior to disconnection when servicing controls. Wiring errors can cause improper and dangerous operation. Verify proper operation after servicing.

All electrical wiring must be installed and grounded in accordance with local codes, or in the absence of local codes, the National Electrical Code, ANSI/NFPA 70 and/or CSA C22.2 Electrical Code.

The water heater must be wired to a 120 VAC, 60 Hz, 15A power supply. The water heater should be connected to a GFI outlet and wired on a separate circuit and breaker. If a flexible line cord and plug is permitted by local code, then provide a three wire GFI grounding type receptacle within reach of the control box. Provide a grounded line cord and connect to the black and white power supply and green ground screw. A strain relief will be required for the line cord. Do not plug the line cord into a receptacle that can have the power supply interrupted by a switch that is used to control lights or another appliance.

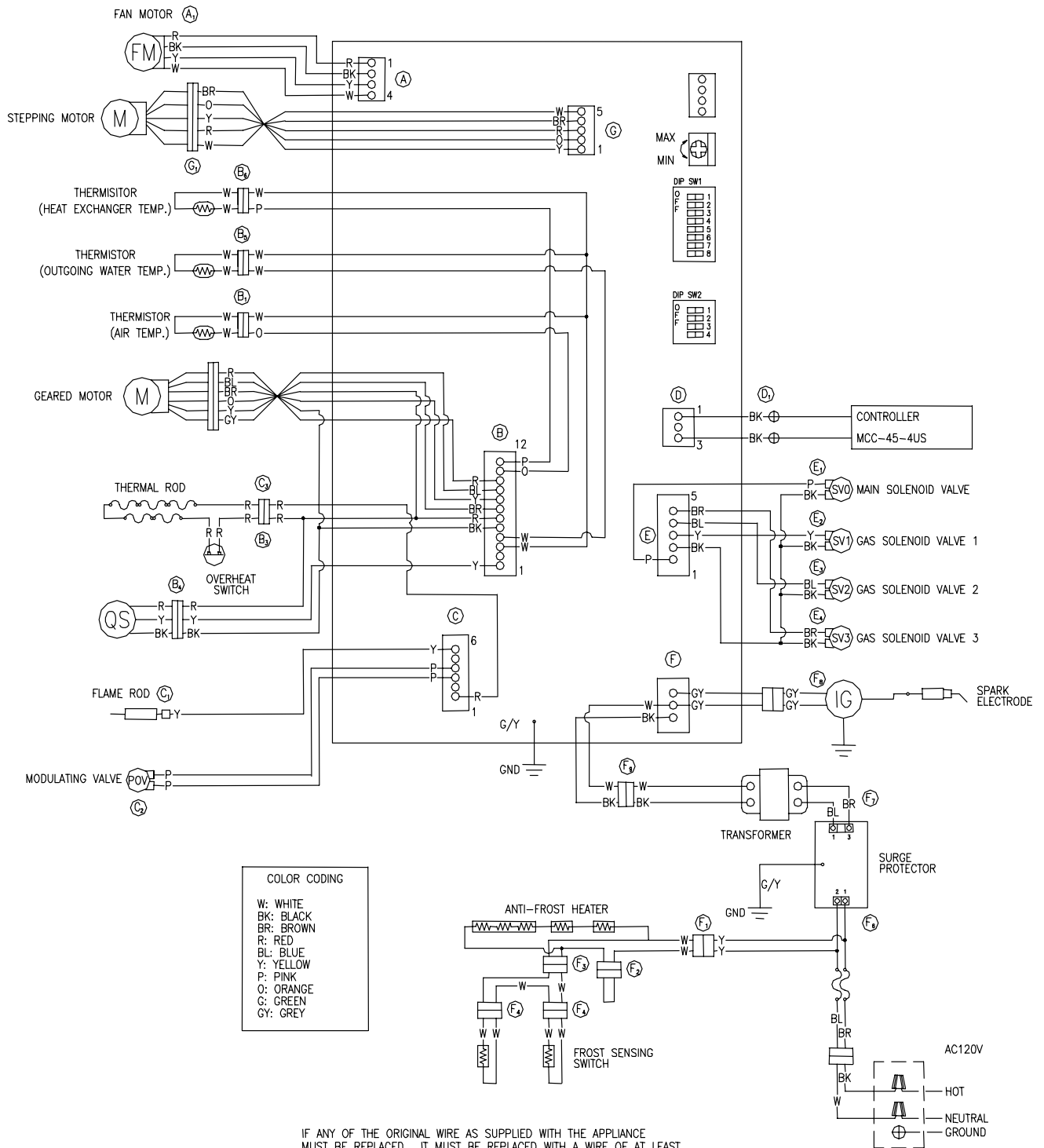
If wiring in conduit is required, install an electrical conduit connector. A disconnect switch should be provided near the water heater for servicing. Connect the wires exactly as shown in the wiring diagram of this manual and on the inside cover panel. The black wire is the hot leg; the white wire is neutral. A green screw is provided in the junction box for the green wire ground connection.

### CAUTION

Do not energize the electric circuit before the water heater tank is filled with water.



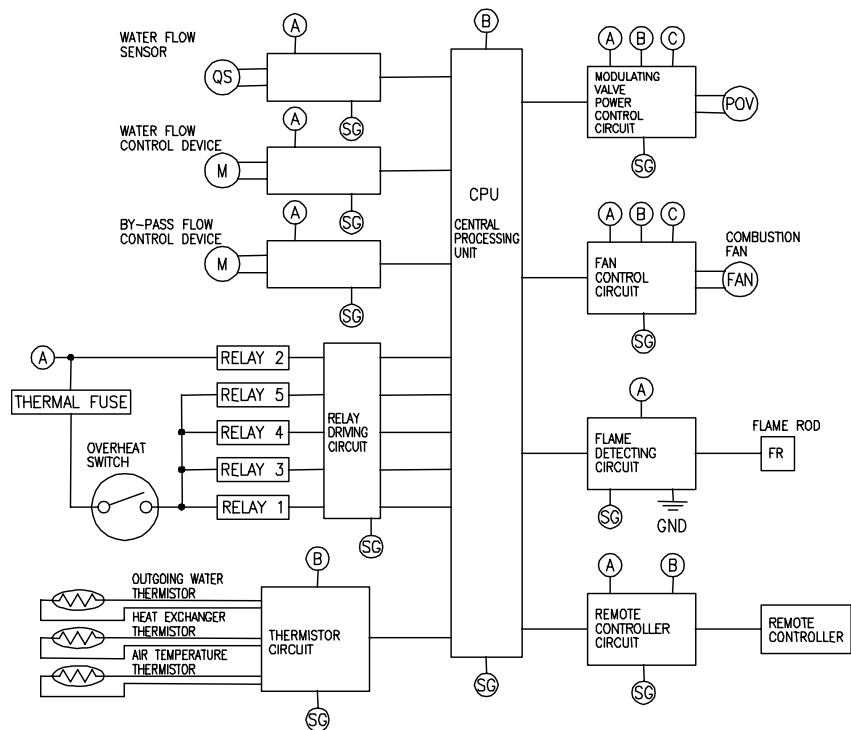
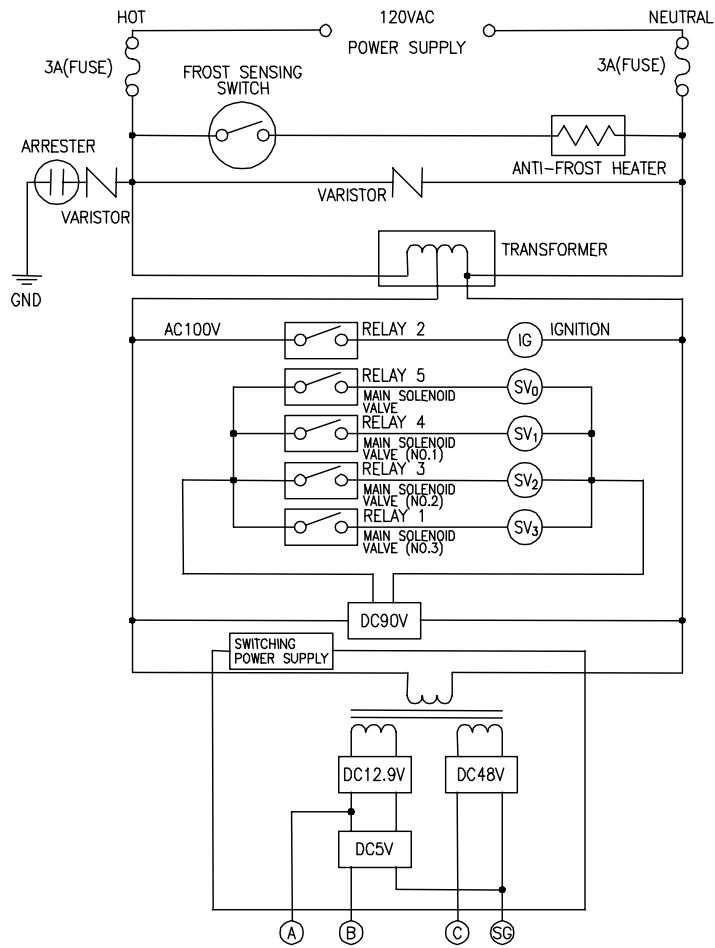
# Wiring Diagram



! WARNING

DO NOT adjust any dipswitch settings on PC board except Dip Switch #1, if required, for vent length.

# Wiring Diagram – Schematic



## TEMPERATURE CONTROLS

The front panel temperature control allows the customer to set the hot water supply temperature and will display certain fault functions of the water heater if there is a malfunction. Residential models can also have the option of up to two additional bathroom temperature controls located near bathroom fixtures for convenient control of bath and shower temperatures.

### Residential Models:

The Main Control is integrally mounted to project through the front panel of the water heater. The adjustment range for the Main Control is 96-160°F. This is the only control capable of temperature setpoints greater than 120°F.

### DANGER

Hotter water increases the risk of scald injury. Scalding may occur within 5 seconds at a temperature setting of 135°F (57°C). To protect against hot water injury, install a mixing valve in the water system. This valve will reduce point of discharge temperature by mixing cold and hot water in branch water lines. A licensed plumbing professional or local plumbing authority should be consulted.

### CAUTION

This water heater, when set at a lower temperature setting is not capable of producing hot water of sufficient temperature for sanitizing purposes. Always check water temperature by hand before entering the shower or bath. The temperature may have been changed. Test the temperature of the water with your hand or elbow before placing a child in the bath or shower. Do not leave a child or an infirm person in the bath unsupervised.

### NOTICE

This water heater is equipped with an energy cut out device to prevent overheating. Should overheating occur or the gas supply fail to shut off, turn off the manual gas control valve to the appliance and call a qualified service agency.

### NOTICE

The lower the temperature setting, the greater the energy efficiency to heat the water. Lower water temperatures also extend the heat exchanger life. Remember, no water heating system will provide exact temperatures at all times. Allow a few days of operation at this setting to determine the correct temperature setting consistent with the requirements for the installation.

In addition, residential models may have one (1) optional Bath Control (P/N 239-44507-00) and one (1) Secondary Bath Control (P/N 239-44508-00) installed in bathrooms to control the temperature for showers and sinks. Both of these controls have setpoint ranges of 96-120°F. When these controls are used, depressing the Priority Button will override the Main Control and display the setpoint of the Bath Control in use. Both the remote Bath Controls and the front panel Main Control will display fault codes in the event the water heater needs service.

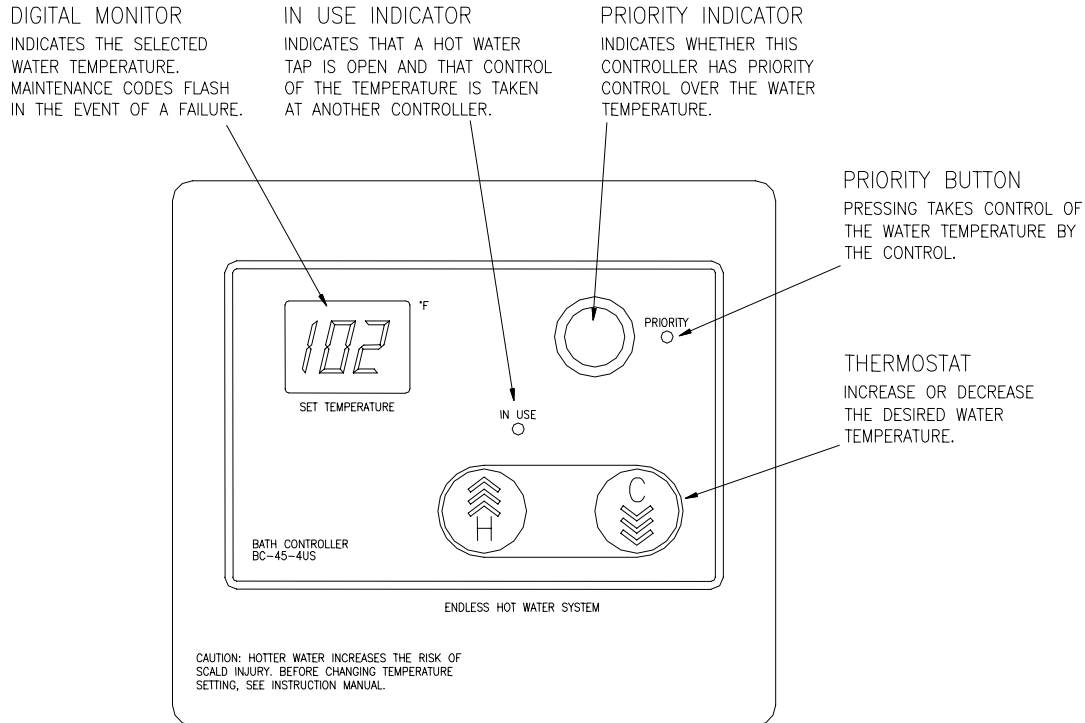
### NOTICE

Only one of each type of remote temperature control can be connected to one residential EVERHOT® water heater (i.e., Installations with two Main Controls, or two Bath Controls, or two Secondary Bath Controls will not function properly).

Before installing the Bath Controls, determine the most convenient location(s). When deciding on the best location for the remote controls, please consider the following items:

1. Place the controls out of reach of small children.
2. Avoid locations where the control(s) will become hot, such as over a radiator, register, or other heat sources.
3. Avoid direct sunlight. (The digital readout can be difficult to read in direct sunlight).
4. Avoid areas where the remote can be splashed with cooking water, oil, or sauce.
5. The remote control operates with low voltage, 12 volts DC.

### Main or Bath Control for Residential Models (Fig. 9)



### Temperature Control(s) Installation (Optional):

1. The Bath Control (239-44507-00) and Secondary Bath Control (239-44508-00) are intended to be installed in a bathroom close to a shower or tub. The controls may be wired in series or parallel depending on the distance from the water heater to the controls.
2. Mark the holes on the wall using the control mounting plate and drill two mounting holes using a 3/32" (2.4 mm) drill bit and a clearance hole for the cable using a 1/4" (6.4 mm) drill bit.
3. Run the cable from the control to the water heater or another control, which ever is closer or more convenient.
4. Remove the face plate from the remote control by inserting a screwdriver in the slot and twisting open.
5. Connect the cable to the terminal screws of the remote control.
6. Mount the control to the wall using the holes drilled and with the screws supplied. Note: Plastic wall anchors may be required if the control is not located over a stud when mounting on wallboard.

Note: If the cable cannot be run inside the wall cavity, then the plastic knockout should be removed from the top or bottom of the control to allow flush mounting with the wall.

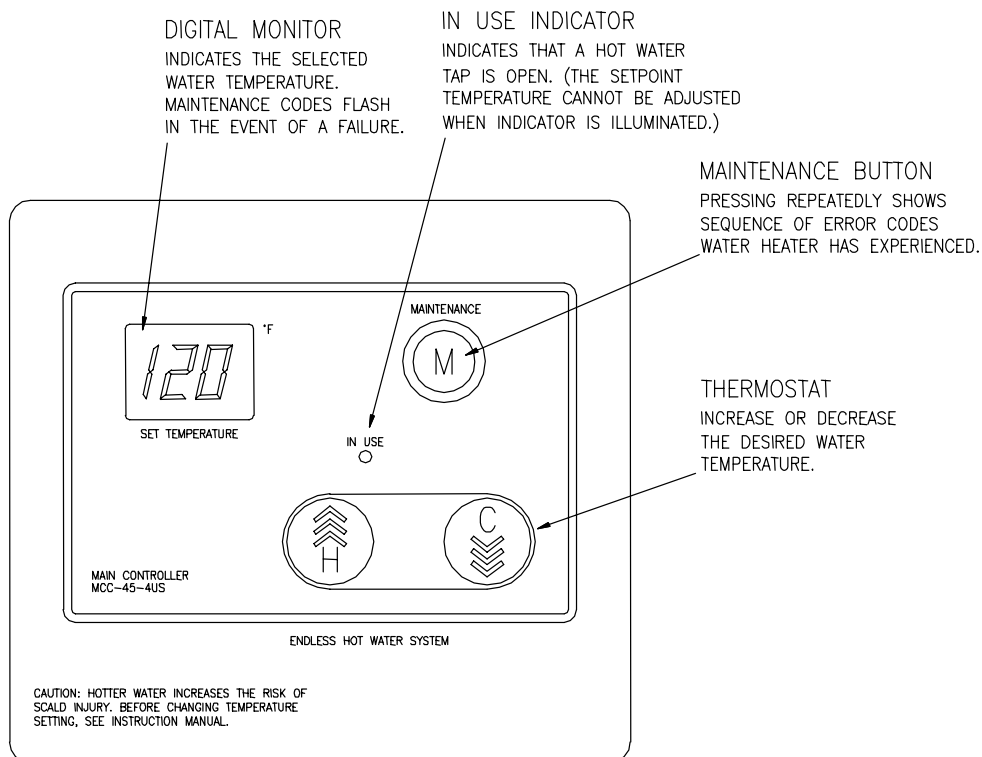
7. Disconnect the power from the water heater and remove the front cover.
8. Remove the plastic cover from the PCB and electrical connections.
9. Thread the cable through the access hole at the base of the water heater and connect the wires to the control terminals on the right hand side of the PCB. Refer to the control wiring illustration at the end of this section.
10. Secure the control cable using the clamp provided in the control compartment.
11. Replace the plastic cover over the PCB terminals and then replace the front control panel of the water heater.

 **WARNING**

Do not attempt to connect the remote controls with the power on to the water heater. There is 120 volt terminals and wiring next to the remote control connections inside the unit. All servicing and wiring must be performed by a qualified installer.

### Commercial Models:

The Main Control is integrally mounted to project through the front panel and has a temperature adjustment range of 96-180°F. In addition, the control will display fault codes in the event the water heater needs service. Only one control may be used on commercial models. If a remotely located control is desired in an area where most of the hot water is used, then a Main Control for commercial models (239-44510-00) must be purchased and the integral Main Control on the water heater must be disconnected.



**Main Control for Commercial Models (Fig. 10)**

## WARNING

When the Water Heater or remotely located Main Control is used in public use applications, it shall be installed in a location where it cannot be adjusted by the public (i.e., a maintenance room or manager's office). Unauthorized adjustments may result in scalding conditions.

## NOTICE

Only one remote control can be connected to one Commercial EVERHOT® model water heater (i.e., Installations with two controls will not function properly).

In most situations, the Main Control on the water heater will suit the customer's needs and reduce the installation time required. If a remotely located temperature control is desired, a commercial Main Control (239-44510-00) may be purchased from your supplier. When deciding on the best location for the remote control, please consider the following items:

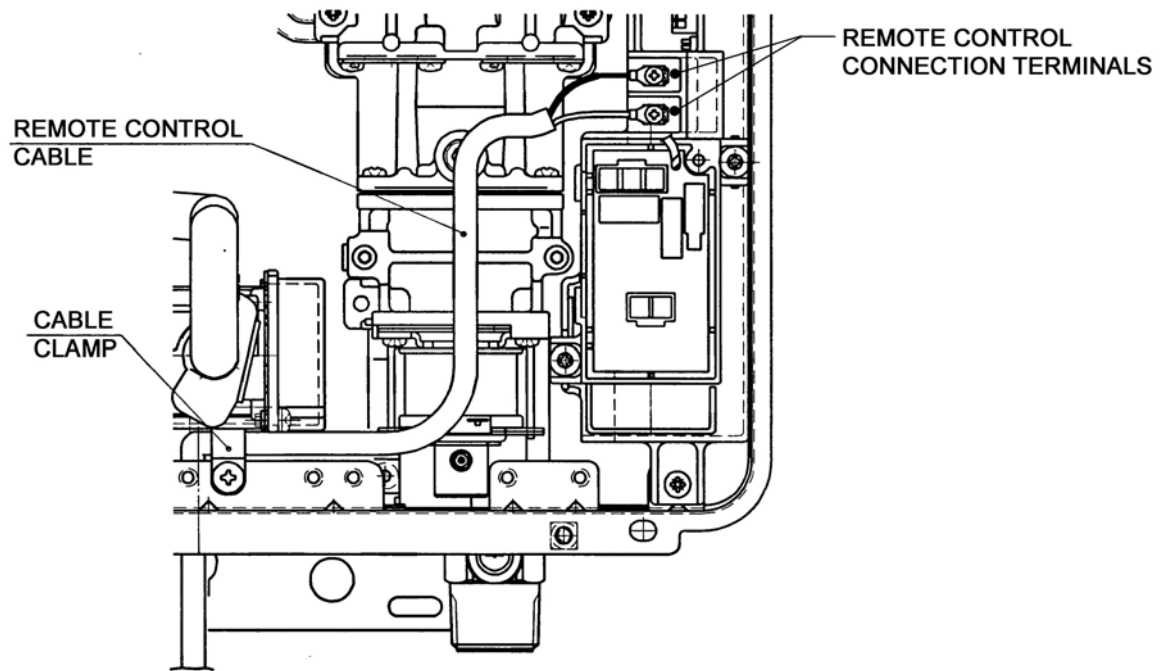
1. Place the control out of reach of small children.
2. Avoid locations that may allow adjustment by unauthorized personnel (see above warning).
3. Avoid locations where the control will become hot, such as over the stove, near the oven, or other heat sources.
4. Avoid direct sunlight. (The digital readout can be difficult to read in direct sunlight).
5. Avoid areas where the remote can be splashed with cooking water, oil, or sauce.
6. The remote control operates with low voltage, 12 volts DC.

### **Remote Main Control Installation (Optional):**

Follow the same control installation procedure as outlined under "Temperature Control Installation" for residential models. The only exception is that only one remote temperature control can be installed. The wiring for the Main Control on the water heater must be disconnected and the remote Main Control wiring connected on the same control terminals.

## WARNING

Do not attempt to connect the remote controls with the power on to the water heater. There is 120 volt terminals and wiring next to the remote control connections inside the unit. All servicing and wiring must be performed by a qualified installer.



**Remote Control Wiring Connections Inside Water Heater (Fig. 11)**

#### **INITIAL OPERATION AND TESTING OF CONTROLS (INSTALLER ONLY)**

1. Turn on power to the water heater and fully open a hot water tap.
2. Check the operation of the water heater. Check the operation of the remote temperature control(s). Check the operation of the power failure protection system (drain solenoids).
3. Explain the proper operation of the new Bradford White EVERHOT® water heater to the customer.

## SECTION IX: OPERATING INSTRUCTIONS

### WARNING

Water heaters are heat-producing appliances. To avoid damage or injury there must be no materials stored against the water heater or direct vent system, and proper care must be taken to avoid unnecessary contact (especially by children) with the water heater and direct vent system. UNDER NO CIRCUMSTANCES SHOULD FLAMMABLE MATERIALS, SUCH AS GASOLINE OR PAINT THINNER BE USED OR STORED IN THE VICINITY OF THIS WATER HEATER OR IN ANY LOCATION FROM WHICH FUMES COULD REACH THE WATER HEATER.

Installation or service of this water heater requires ability equivalent to that of a licensed tradesman in the field involved. Plumbing, air supply, venting, gas supply and electrical work are required.

Light the unit in accordance with the operating instructions label attached to the water heater.

Under no circumstances should the input rate exceed the input rate shown on the water heater rating plate. Over firing could result in damage or sooting of the water heater.

If the unit is exposed to the following, do not operate water heater until all corrective steps have been made by a factory authorized independent service contractor or qualified service professional.

1. Flooding to or above the level of the burner or controls
2. External firing
3. Damage
4. Firing without water
5. Sooting

**NEVER OPERATE THE WATER HEATER WITHOUT FIRST BEING CERTAIN IT IS FILLED WITH WATER AND A PRESSURE RELIEF VALVE IS INSTALLED IN THE HOT WATER OUTLET PIPING OF THE WATER HEATER.**

### GENERAL INSTRUCTIONS

#### **TO FILL THE WATER HEATER**

1. Close the water heater drain valve by turning the knob or valve stem clockwise.
2. Open the cold water supply shut-off valve.
3. Open several hot water faucets to allow air to escape from the system.
4. When a steady stream of water flows from the faucets, the water heater is filled. Close the faucets and check for water leaks at the water heater drain valve, pressure relief valve and the hot and cold water connections.

#### **SEQUENCE OF OPERATION**

1. Water heater senses the minimum operating water flow which starts the ignition sequence to light the burners.
2. Blower ON
3. Pressure switch proves blower operation
4. Gas valve opens and spark igniter starts.
5. Main burner ON
6. Flame signal confirmed
7. Burner flame and combustion blower modulates to maintain selected outlet temperature
8. Water flow is also regulated to not exceed the capacity of the water heater for the temperature selected.
9. Water flow shuts off.
10. Burners shut off immediately, but combustion blower continues for another 65 seconds to purge heat from coil.



## LIGHTING INSTRUCTIONS

### FOR YOUR SAFETY READ BEFORE OPERATING



**WARNING: If you do not follow these instructions exactly, a fire or explosion may result causing property damage, personal injury or loss of life.**

- |  |  |
|--|--|
| <p>A. This appliance does not have a pilot. It is equipped with a direct ignition device, which automatically lights the burner. Do not try to light the burner by hand.</p> <p>B. <b>BEFORE OPERATING:</b> Smell all around the appliance area for gas. Be sure to smell next to the floor because some gas is heavier than air and will settle on the floor.</p> | <p>C. Use only your hand to operate the remote control keypad. Never use tools. If the remote keypad doesn't work, do not try to repair it, call a qualified service technician. Forced or improper repair may result in a fire or explosion.</p> <p>D. Do not use this appliance if any part has been under water. Immediately call a qualified service technician to inspect the appliance and to replace any part of the control system and any gas control which has been under water.</p> |
|--|--|


### WHAT TO DO IF YOU SMELL GAS

- |   |  |
|---|--|
| <ul style="list-style-type: none"><li>• Do not try to light any appliance.</li><li>• Do not touch any electric switch; do not use any phone in your building.</li></ul> | <ul style="list-style-type: none"><li>• Immediately call your gas supplier from a neighbor's phone. Follow the gas supplier's instructions.</li><li>• If you cannot reach your gas supplier, call the fire department.</li></ul> |
|---|--|

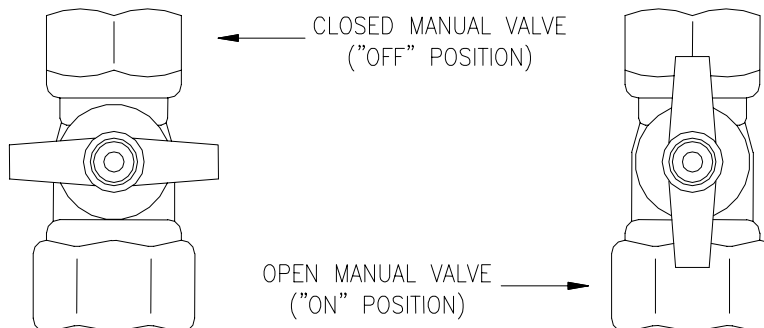
### OPERATING INSTRUCTIONS

- |  |   |
|--|---|
| <p>1. <b>STOP!</b> Read the safety information above before proceeding.</p> <p>2. Set the thermostat to the lowest setting.</p> <p>3. Turn off all power to the electrical appliance.</p> <p>4. This appliance does not have a pilot. It is equipped with a direct ignition device, which automatically lights the burner. Do not try to light the burner by hand.</p> <p>5. Turn the manual valve located at the gas inlet of the appliance clockwise  to "OFF" (see Figure 12).</p> | <p>6. Wait (5) minutes to clear out any gas. If you then smell gas, <b>STOP!</b> Follow "B" in the safety information above on this label. If you don't smell gas, go to next step.</p> <p>7. Turn the manual valve located at the gas inlet of appliance counterclockwise  to "ON" (see Figure 12).</p> <p>8. Turn on all electric power to the appliance.</p> <p>9. Set the thermostat to desired setting.</p> <p>10. If the appliance will not operate, Follow the instructions "To Turn Off Gas To Appliance" and call your service technician or gas supplier.</p> |
|--|---|

### TO TURN OFF GAS TO THE APPLIANCE

- |   |   |
|---|---|
| <p>1. Set the thermostat to the lowest setting.</p> <p>2. Turn off all electric power to the appliance if service is to be performed.</p> | <p>3. Turn the manual valve at gas inlet of appliance clockwise  to "OFF" (see Figure 9).</p> |
|---|---|

**Manual Gas Valve (Fig. 12)**



 **CAUTION**

In climates where below freezing temperatures may occur, the water heater must be drained when power is off to the water heater to prevent freeze damage to the heat exchanger. Drain solenoids are recommended to prevent freeze damage during power failures in cold climate regions.

**TURNING OFF THE WATER HEATER FOR AN EXTENDED PERIOD OF TIME**

If the EVERHOT® water heater is to be turned off for an extended period of time, the following steps should be taken.

1. Turn the gas shutoff valve on the gas supply inlet to the OFF position (see operating instructions).
2. Disconnect the electrical supply to the water heater.
3. Shut off the cold water supply to the water heater and open the drain valve to drain the water heater. If the water heater was installed with drain solenoid freeze protection, the water heater will drain automatically when power is disconnected.

## TEMPERATURE ADJUSTMENT

### DANGER

Hotter water increases the risk of scald injury. Scalding may occur within 5 seconds at a temperature setting of 135°F (57°C). To protect against hot water injury, install a mixing valve in the water system. This valve will reduce point of discharge temperature by mixing cold and hot water in branch water lines. A licensed plumbing professional or local plumbing authority should be consulted.

### CAUTION

This water heater, when set at a lower temperature setting is not capable of producing hot water of sufficient temperature for sanitizing purposes. Always check water temperature by hand before entering the shower or bath. The temperature may have been changed.

### NOTICE

This water heater is equipped with an energy cut out device to prevent overheating. Should overheating occur or the gas supply fail to shut off, turn off the manual gas control valve to the appliance and call a qualified service agency.

### NOTICE

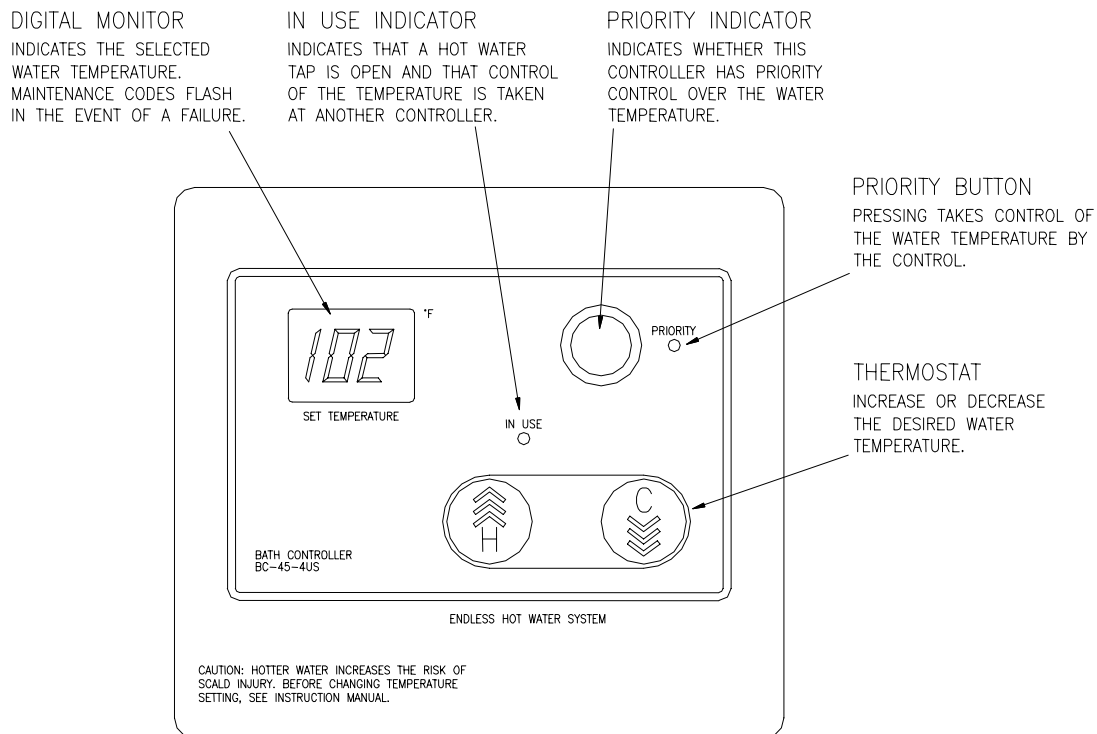
The lower the temperature setting, the greater the energy efficiency to heat the water. Lower water temperatures also extend the heat exchanger life. Remember, not water heating system will provide exact temperatures at all times. Allow a few days of operation at this setting to determine the correct temperature setting consistent with the requirements for the installation.

#### Residential Models:

1. The outlet water temperature of the EVERHOT® water heaters is adjusted using the Main Control located on the front panel of the water heater. When a Bath Control or an additional Secondary Bath Control is installed, the temperature can only be adjusted on the control that has the Priority Indicator Light glowing. The temperature displayed on the control in use will also be displayed on all the other remote controls.
2. To set the desired temperature on the control, all hot water faucets must be closed. If there are remote Bath Controls installed, press the "Priority" button on the control you want to change the setting on and the yellow "Priority" indicator light will glow.
3. Press the "H" or "C" button until the required temperature is displayed on the digital monitor. The Bath Controls have a maximum temperature setting of 120°F, while the Main Control on the water heater has a maximum setpoint of 160°F.
4. To operate the water heater, simply turn any hot water tap on. This will automatically light the burner and provide hot water at the preset temperature. If the optional remote controls have been installed, the green "IN USE" indicator light will glow on all remote controls.
5. The control(s) can also display diagnostic error codes, water flow rate through the unit (in gallons per minute) and the outlet water temperature.
6. Pressing the "Priority Button" followed by the "H" button will display a sequence of up to 9 error codes, if any, stored in memory that has been experienced. Any current error codes will be displayed on the digital monitor.

- To display the water flow through the water heater with hot water in use, depress the “H” button for 2 seconds and then simultaneously press the “P” button. (GPM = Display Readout X 0.1).
- To display the outlet water temperature while in use, depress the “C” button for 2 seconds and then simultaneously press the “P” button.

### Main or Bath Control for Residential Models (Fig. 9)



## NOTICE

The temperature can only be adjusted between 96°F and 110°F when the hot water tap is open and hot water is flowing. This is a safety feature to prevent scalding while hot water is in use.

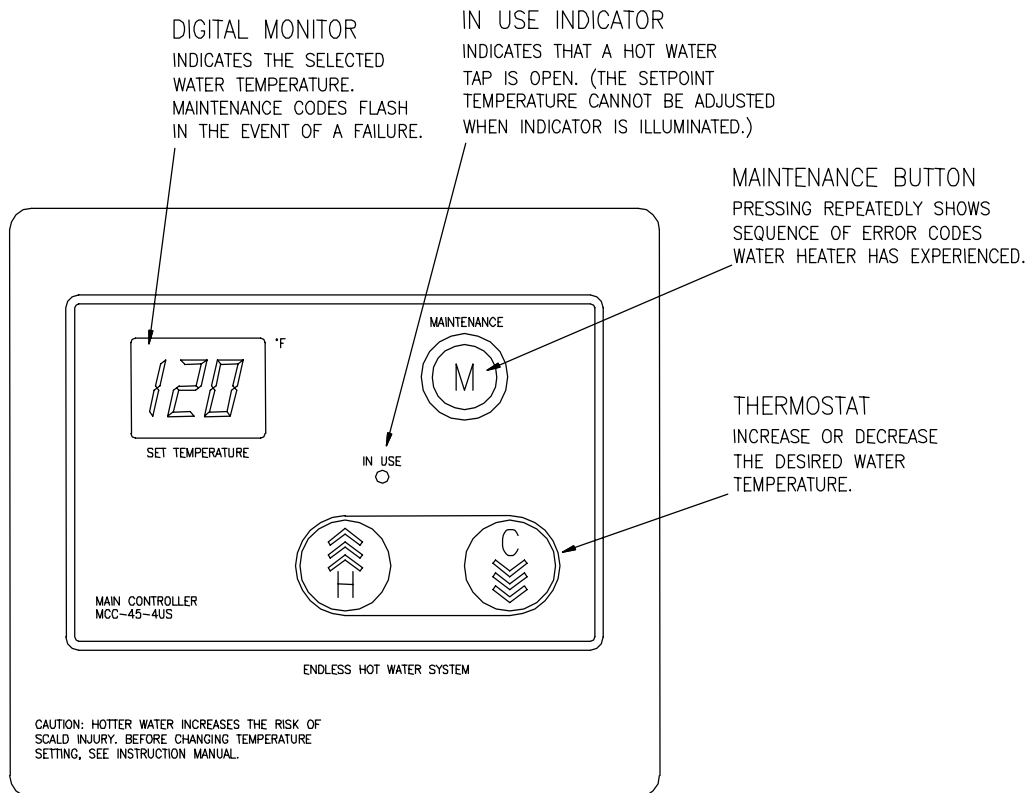
### Commercial Models (See figure 10):

- Commercial models have the Main Control mounted on the front of water heater, which will allow the outlet water temperature to be adjusted from 96-180°F. Commercial models can only have one temperature control. If a remotely located Commercial Main Control is desired, then the front panel control must be disconnected and an optional Commercial Main Control (239-44510-00) must be purchased and installed.
- All hot water faucets must be off to get the full range of temperature adjustment. The control will only allow an adjustment range of 96-110°F while hot water is in use to prevent scalds.
- Press the “H” or “C” buttons until the desired temperature is shown on the display.
- The water heater will automatically start heating water whenever a hot water faucet is opened. The Main Control will indicate hot water use with the green “IN USE” indicator.
- The Main Control can also display diagnostic error codes, water flow rate through the unit (in gallons per minute) and the outlet water temperature.

6. Pressing the "Maintenance Button" followed by the "H" button will display a sequence of error codes, if any, stored in memory that has been experienced. Any current error codes will be displayed on the digital monitor in sequence starting with the most recent code.
7. To display the water flow through the water heater with hot water in use, depress the "H" button for 2 seconds and then simultaneously press the "M" button. (GPM = Display Readout X 0.1).
8. To display the outlet water temperature while in use, depress the "C" button for 2 seconds and then simultaneously press the "M" button.

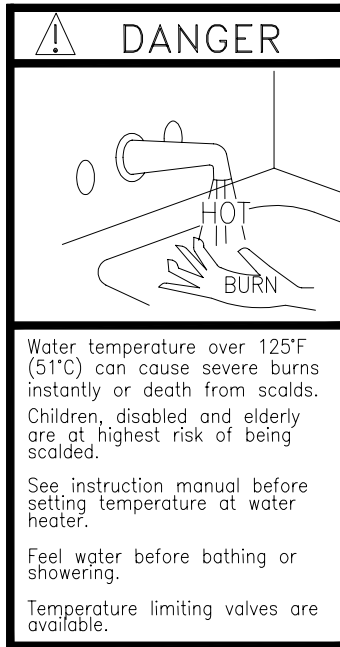
**⚠ CAUTION**

Check local codes for the maximum water temperature setting allowed when used in nursing homes, schools, day care centers, and all other public use applications.



**Main Control for Commercial Models (Fig. 10)**

## SCALDING



This water heater can deliver scalding temperature water at any faucet in the system. Be careful whenever using hot water to avoid scalding injury. Certain appliances such as dishwashers and automatic clothes washers may require increased temperature water. By setting the thermostat on this water heater to obtain the increased temperature water required by these appliances, you may create the potential for scald injury. To protect against injury, you should install a tempering valve in the water system. This valve will reduce point of discharge temperature by mixing cold and hot water in branch supply lines. Such valves are available from the local plumbing supplier.

## CAUTION

Test the temperature of the water with your elbow before placing a child in the bath or shower. Do not leave a child or an infirm person in the bath unsupervised.

The following chart details the relationship of water temperature and time with regard to scald injury and may be used as a guide in determining the safest water temperature for your applications.

### Approximate Time/Temperature Scald Chart

APPROXIMATE TIME/TEMPERATURE RELATIONSHIPS IN SCALDS	
120°F (49°C)	More than 5 minutes
125°F (52°C)	1½ to 2 minutes
130°F (54°C)	About 30 seconds
135°F (57°C)	About 10 seconds
140°F (60°C)	Less than 5 seconds
145°F (63°C)	Less than 3 seconds
150°F (66°C)	About 1½ seconds
155°F (68°C)	About 1 second

## FIRST AID FOR SCALDS

1. Remove all wet clothing quickly. Wet clothing retains the heat.
2. Apply cold water to burned area for 30 minutes to reduce the heat in the skin and prevent deeper burning. Never use butter, oils, or ointment to cover the burn. They may retain the heat.
3. Use a blanket to keep the scalded person warm.
4. Seek medical advice.

## ERROR MESSAGES ON REMOTE TEMPERATURE CONTROL DISPLAY

The Bradford White EVERHOT® continuous flow water heaters have the ability to monitor and display any operating faults on the control display. The error messages will display on the monitor and will assist in servicing the water heater. The following is a listing of the error codes, which may flash on the monitor in case of a malfunction with the water heater. Please quote the code displayed when calling for service.

Code Displayed	Fault	Remedy
10	Air supply or exhaust blockage	Check for a restriction in the exhaust vent.
11	No Ignition	Check to make sure the gas supply is on to the water heater.
12	Flame Failure, grounding failure	Make sure gas is turned on at the water heater; check for obstructions in exhaust vent.
14	Thermal Fuse	Heat exchanger overheated
16	Over Temperature Warning	Excessive temperatures, wrong dip switch setting, incorrect manifold pressure or gas type.
32	Outlet water temperature faulty	Outlet sensor or wiring may be defective
33	Heat exchanger outlet water temperature faulty	H.E. outlet sensor or wiring may be defective.
34	Combustion air sensor faulty	Thermistor or wiring faulty
52	Modulating Solenoid Valve signal abnormal	Check gas control and wiring
61	Combustion Fan Failure	Combustion fan or wiring faulty
71	Solenoid Valve Driving Circuit Faulty	Check all gas solenoids and wiring
72	Flame Sensing Device Faulty	Lack of flame sense – check flame rod and wiring connections.
LC (00)	Scale build-up in Heat Exchanger (When checking maintenance code history, "00" is substituted for "LC").	Build up of lime scale in heat exchanger – needs to be flushed.

If any of the above error codes are seen flashing on the remote display, call for service.



**WARNING**

**Failure to remedy faults may result in severe burns, scalds, and/or death.**

## SECTION X: MAINTENANCE



Always turn off the electrical power supply, the manual gas valve, and the manual water control valve whenever servicing this appliance.

KEEP THE APPLIANCE AREA CLEAR AND FREE FROM COMBUSTIBLE MATERIALS, GASOLINE, AND OTHER FLAMMABLE VAPORS AND LIQUIDS.

The EVERHOT® water heater should be checked annually by a qualified technician. Regular maintenance will keep the water heater operating efficiently and help to assure reliable operation and a long service life.

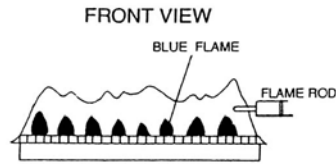
1. Remove and clean the inlet water filter screen.
2. Visually inspect the burner flames. The flame must burn with a clear blue, stable flame. Refer to figure 13, "Burner Flame Appearance" for satisfactory flame appearance. If the burner flame appearance is not satisfactory or debris is visible on the burners, remove and clean with a vacuum cleaner.
3. Inspect entire venting system and vent terminal. Make sure all the venting connections are tight and the gaskets are in good condition. Check the vent terminal openings for blockage and clean, if necessary. Keep shrubs and vegetation clear of the vent terminal.
4. All electric motors are permanently lubricated and do not need oiling. Remove the combustion air blower and clean wheel and housing with soft brush or vacuum.
5. If the "LC" code has been flashing on the remote display, the heat exchanger will need flushing to remove lime and scale deposits. Refer to the "Flushing Procedure for Lime Scale Removal..." in Section X, "Maintenance".
6. Check operation of the pressure relief valve. To check the relief valve, lift the lever at the end of the valve several times. The valve should seat properly and operate freely. If water does not flow, remove and inspect for obstructions or corrosion. Replace with a new valve of the recommended size as necessary. A thorough inspection of the valve should be performed at least every three years by removing the pressure relief valve from the outlet piping. Do not attempt to repair the valve, as this could result in improper operation and explosion of the heat exchanger and piping. In areas with poor water conditions, it may be necessary to inspect the pressure relief valve more often than the recommended maintenance schedule.



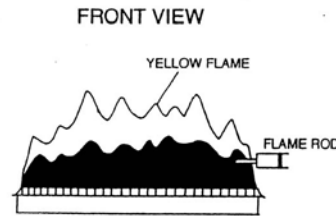
## Burner Flame Appearance (Fig. 13)

### VISUAL CHECK

#### SATISFACTORY



#### UNSATISFACTORY



Before manually operating the valve, make sure that a drain line has been attached to the valve to direct the discharge to an open drain. Failure to take this precaution could mean contact with extremely hot water passing out the valve during this checking operation.

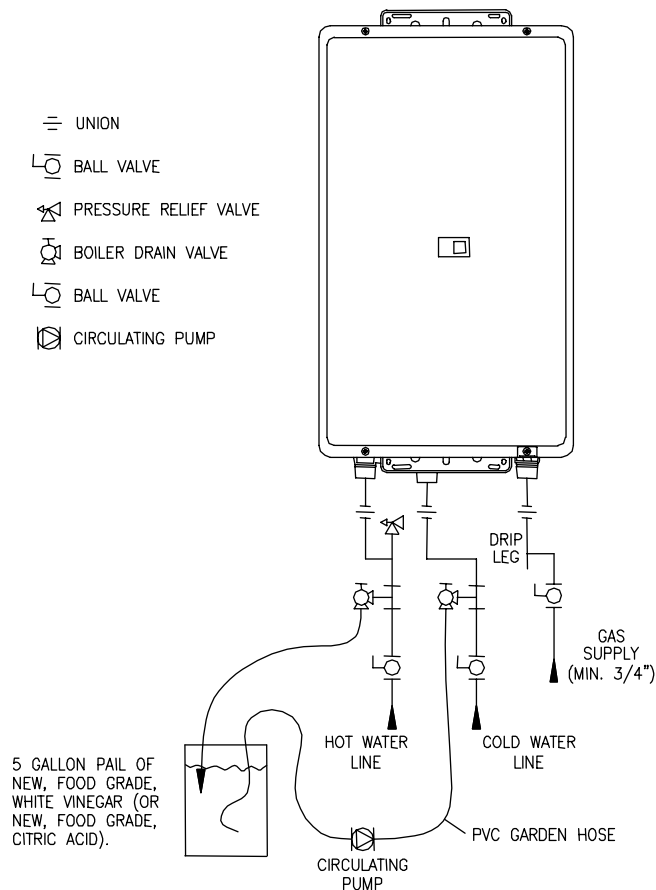
## FLUSHING PROCEDURE FOR LIME SCALE REMOVAL FROM HEAT EXCHANGER

The amount of calcium carbonate (lime) released from water is in direct proportion to water temperature and usage. The higher the water temperature or water usage and the harder the water (more dissolved calcium carbonate), the more lime deposits are dropped out of the water. This is the lime scale that forms in pipes, water heaters and on cooking utensils.

Lime accumulation reduces the efficiency and longevity of the heat exchanger coil and will cause the water heater to malfunction. The lime scale may need to be periodically removed from the heat exchanger (indicated by the "LC" code on the remote display). The usage of water softening equipment greatly reduces the hardness of the water. However, this equipment does not always remove all of the hardness (lime). The heat exchanger may occasionally need to be flushed to clear out the lime deposits. Use the following procedure and diagram (fig. 13) to flush the heat exchanger and remove the lime scale.

1. Disconnect power to the water heater.
2. Close valves in the cold water inlet and outlet supply.
3. Connect PVC hoses (may use garden hose to the drain valve outlet fittings). Connect a circulator pump to the hose connected to the cold water inlet. See figure 11 for hose and circulator connections.
4. Pour 4 gallons of fresh vinegar into a 5 gallon bucket.
5. Place the ends of the hose into the bucket.
6. Open the drain valves to the hose fittings.
7. Turn on power to the circulating pump and allow the vinegar to circulate through the heat exchanger coil for at least 45 minutes. Heavily limed heat exchangers may require several hours.
8. Turn off power to the circulating pump.

9. Run hose from hot water outlet to a drain.
10. Close the drain valve on the cold water inlet. Leave hot water drain valve open. Open cold water inlet to flush with fresh water.
11. Allow water to flow out of the hose for 5 minutes to flush vinegar from the water heater.
12. Shut off cold water inlet valve. Remove filter screen and clean out any sediment. Reinstall.
13. Close the hot water drain valve. Open the cold water inlet and hot water supply valves.
14. Disconnect the hoses from the drain valve connections.
15. Restore power to the water heater and check operation.



**Lime Scale Flushing Diagram (Fig. 13)**

## **COMMON TROUBLESHOOTING COMMENTS ON THE OPERATION OF THE EVERHOT® TANKLESS WATER HEATER**

Comment: I don't have any hot water when I open the tap!

Make sure the gas and electricity is turned on to the water heater. The remote temperature display should have the green light lit when a hot water tap is open and the water heater is operating. Make sure there are no error codes flashing on the display.

Comment: When I was using the hot water, the water got cold!

If you reduced the hot water flow from the tap, you may have reduced the flow below the minimum flow to operate the water heater. If you mix the hot water with cold water at the tap in an attempt to get a temperature below the temperature being produced by the water heater, the hot water flow through the water heater may drop below the minimum flow required to operate the water heater. To remedy this situation, either increase the total water flow from the tap or using the remote temperature controller, decrease the setpoint temperature of the water heater to the temperature desired at the tap.

Comment: White smoke comes out of the exhaust!

During colder weather when the exhaust temperature is much hotter than the ambient air, the moist exhaust gases condense producing a white vapor cloud.

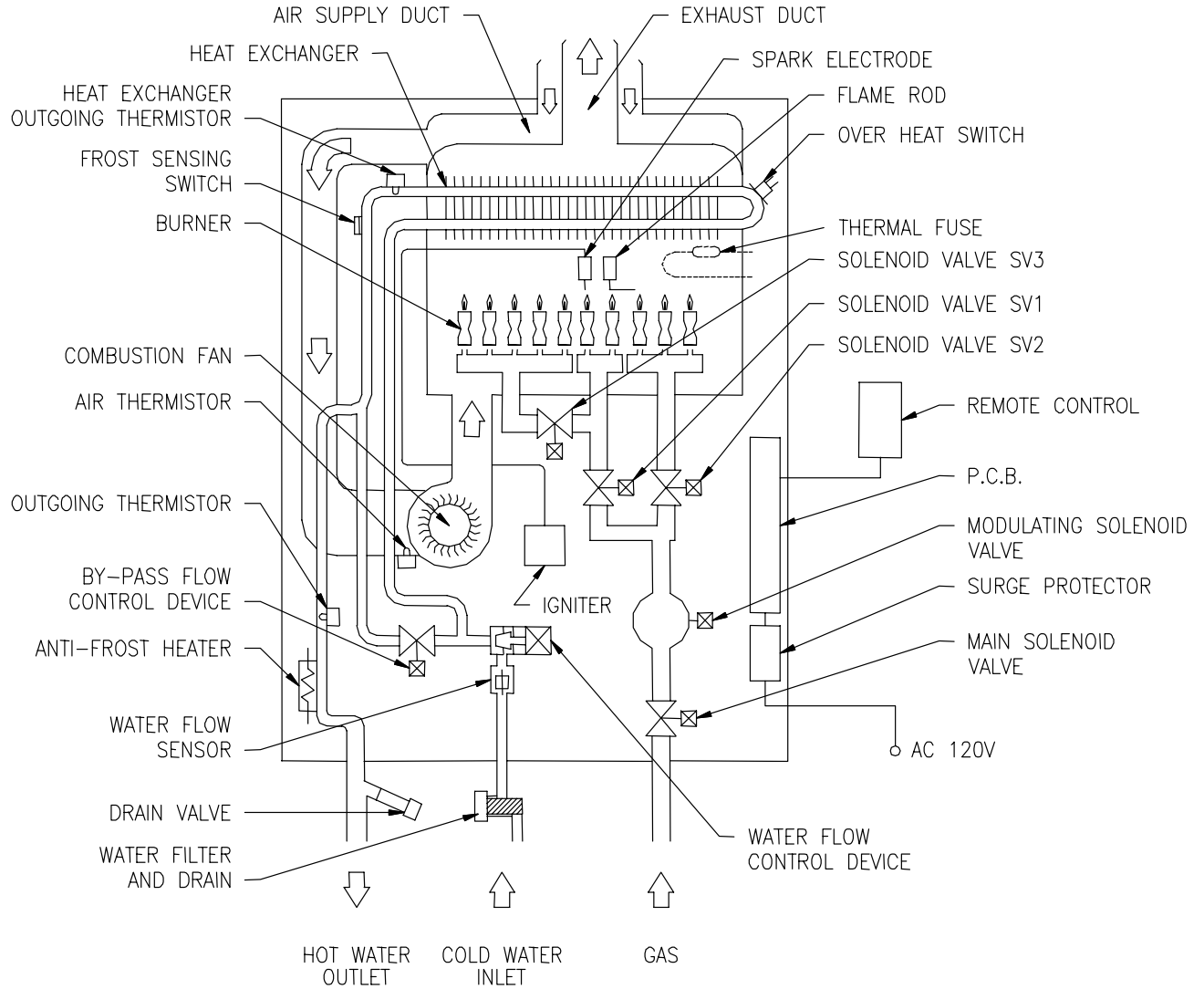
Comment: When I open a hot water faucet I do not immediately get hot water!

Hot water must travel through the plumbing piping to the faucet. This may take from 10 to 30 seconds depending upon the length of cold plumbing pipe the water must travel through.

Comment: After I turn off the hot water tap, the fan on the water heater continues to run!

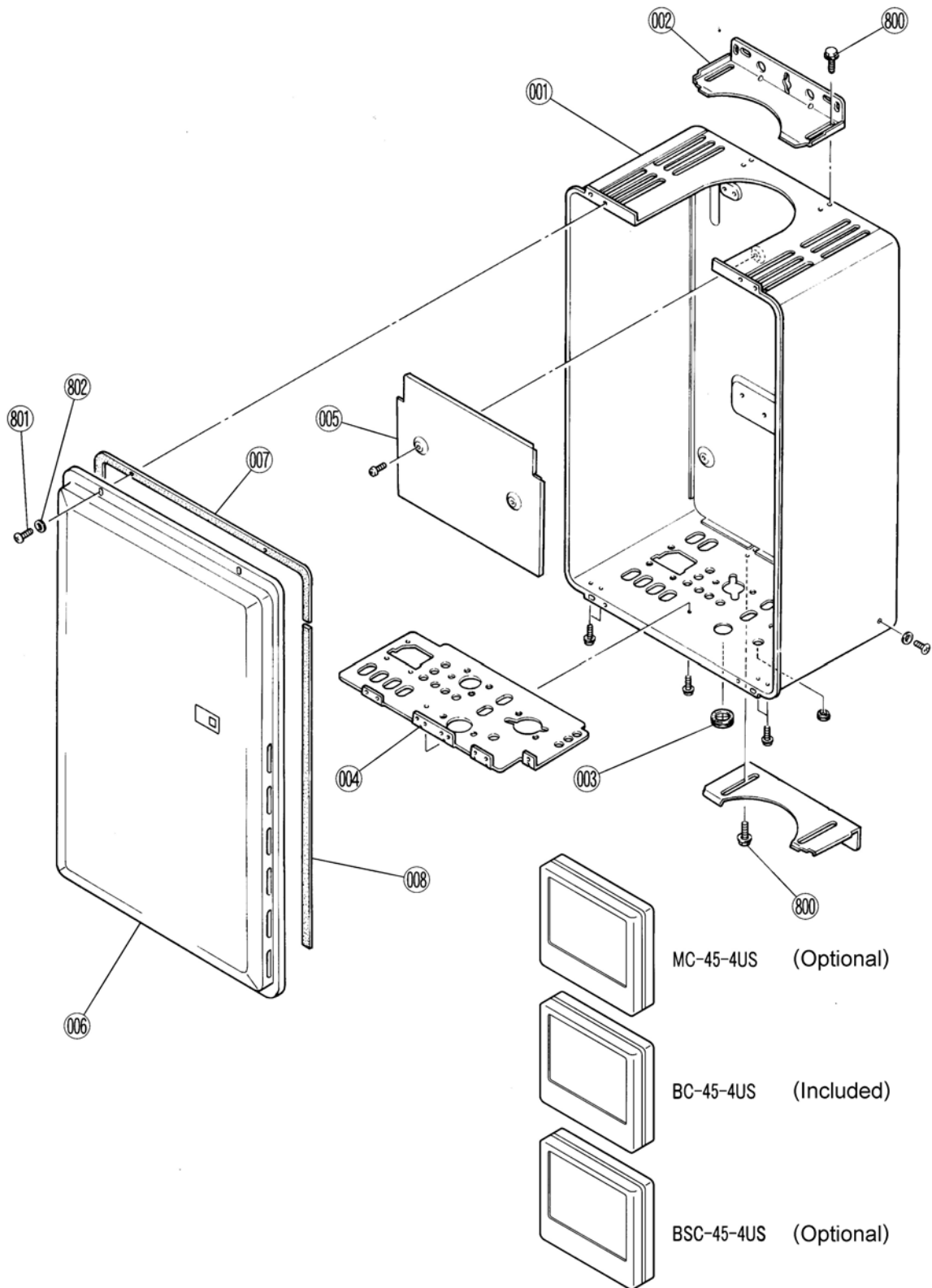
The fan is designed to continue to run for 65 seconds after the flow of water stops. This is to ensure constant water temperature during frequent short water draws (such as washing dishes) as well as exhausting residual heat and flue gases from the water heater and venting system.

## Schematic Diagram of Internal Parts

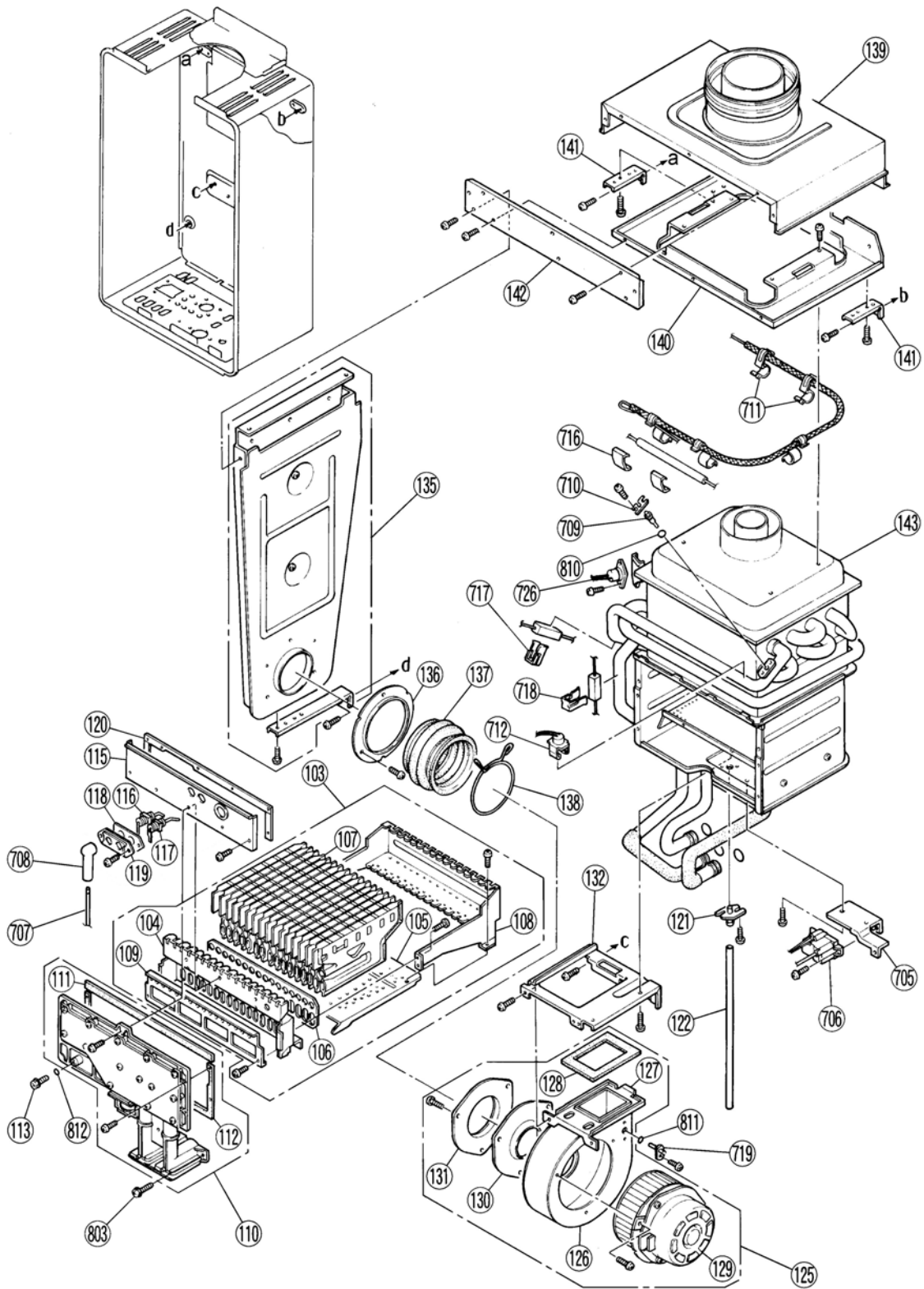


# SECTION XI: PARTS LIST

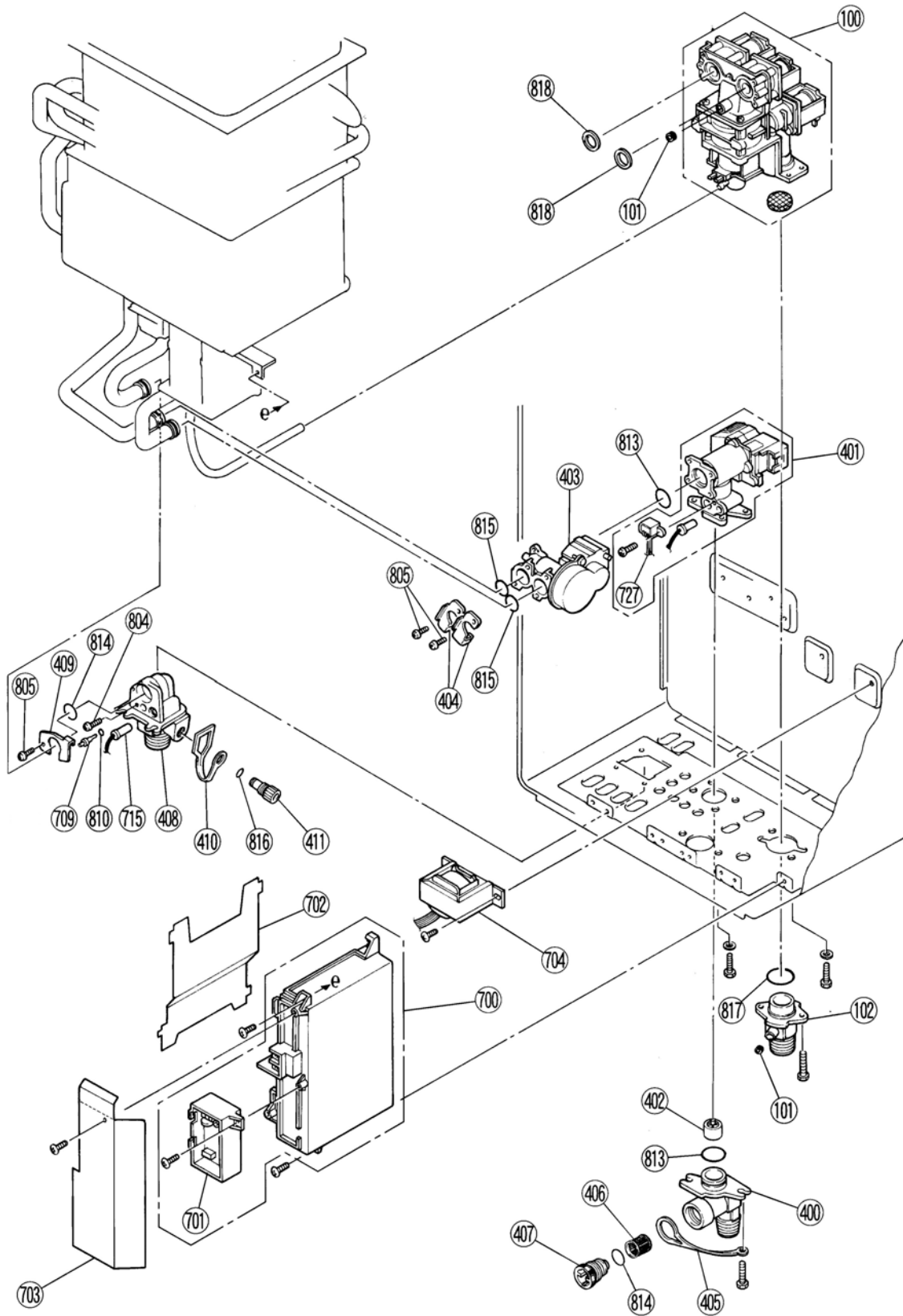
## Exploded View – Cabinet



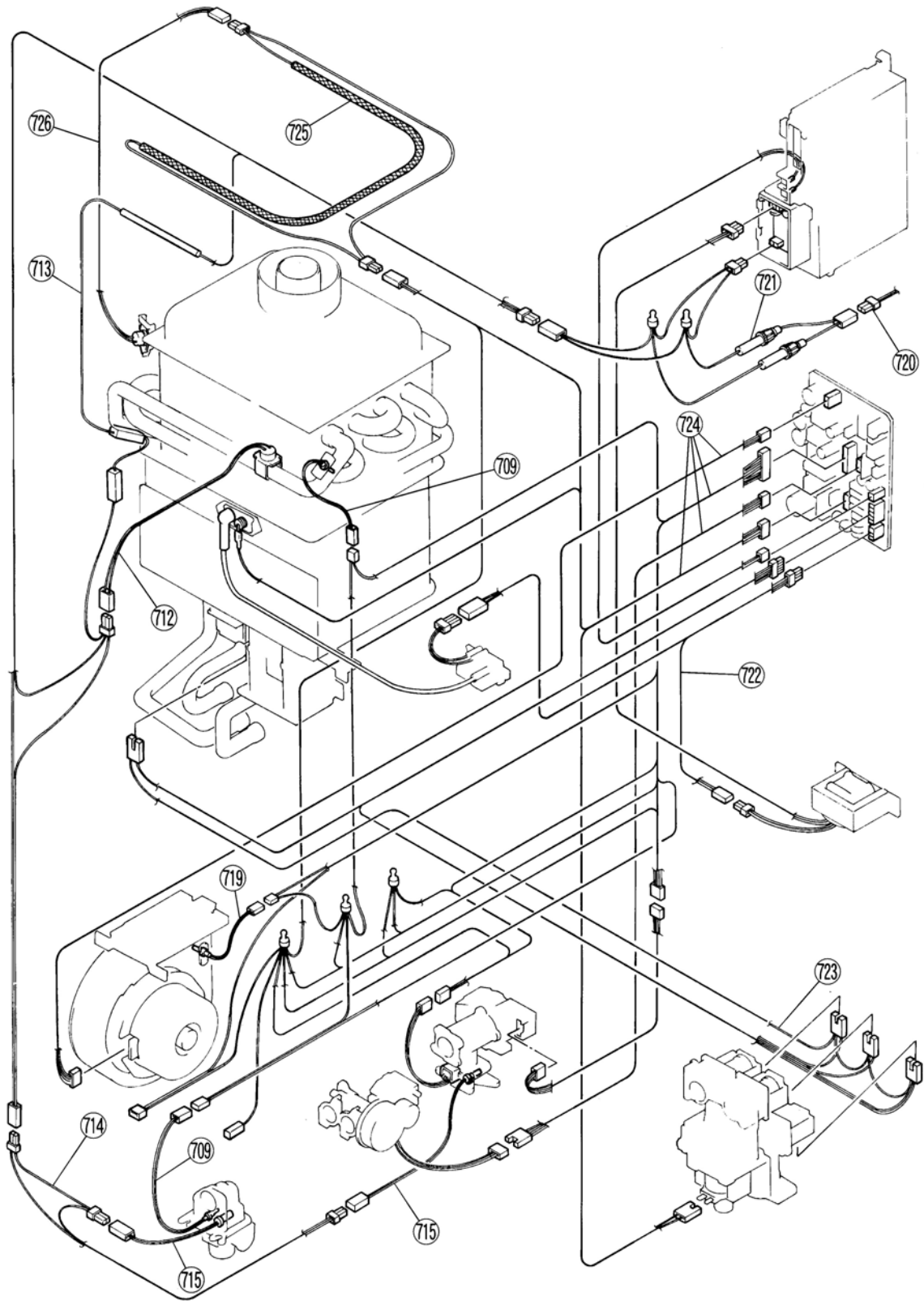
# Exploded View – Internal Components



# Exploded View – Internal Components

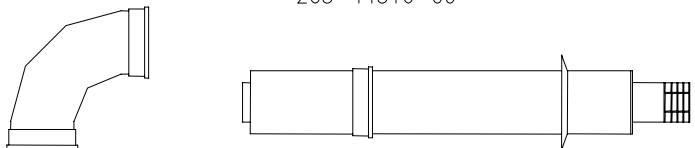

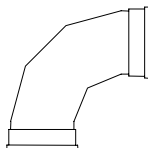
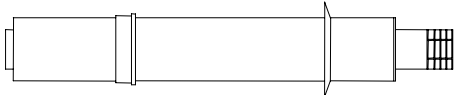

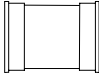
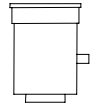
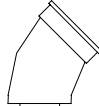
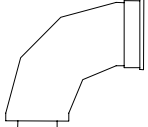
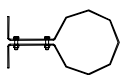



# Exploded View – Electrical





## VENTING COMPONENTS

<p><u>STANDARD VENT DISCHARGE KIT</u> 265-44516-00</p> 		<p><u>10" VENT PIPE EXTENSION</u> 239-44496-00</p> <p><u>19 1/2" VENT PIPE EXTENSION</u> 239-44497-00</p> <p><u>39" VENT PIPE EXTENSION</u> 239-44498-00</p> 		
<p><u>HORZ. DISCHARGE ADAPTER</u> 239-44506-00</p> 	<p><u>WALL DISCHARGE TERMINAL (35")</u> 239-44505-00</p> 			
<p><u>ROOF DISCHARGE TERMINAL</u> 239-44494-00</p> 		<p><u>VERTICAL DISCHARGE ADAPTER</u> 239-44500-00</p> 	<p><u>CONDENSATE COLLECTOR</u> 239-44501-00</p> 	
<p><u>45° VENT ELBOW (QTY=2)</u> 239-44495-00</p> 	<p><u>90° VENT ELBOW</u> 239-44499-00</p> 	<p><u>VENT PIPE CLAMP</u> 239-44493-00</p> 	<p><u>ROOF FLASHING</u></p> 	<p><u>FLAT ROOF</u> 239-44492-00</p> <p><u>1/12-6/12 PITCH (5°-25°)</u> 239-44502-00</p> <p><u>6/12-12/12 PITCH (25°-45°)</u> 239-44504-00</p> <p><u>8/12-16/12 PITCH (35°-55°)</u> 239-44503-00</p>

## PARTS LIST

Number	Description	Quantity
001	Casing Assembly	1
002	Wall Fitting Bracket	2
003	Rubber Bushing	1
004	Connection Reinforcement Panel	1
005	Heat Protection Plate	1
006	Front Panel	1
007	Front Panel Gasket	1
008	Front Panel Gasket – Side	2
100	Gas Control Assembly	1
101	Screw	2
102	Gas Connection (3/4" NPT)	1
103	Burner Unit Assembly	1
104	Burner Case Front	1
105	Burner Case Bottom Panel	1
106	Burner Air Orifice Plate	1
107	Bunsen Burners	16
108	Burner Case Back Panel	1
109	Damper Plate	1
110	Manifold Assembly – Natural Gas	1
110	Manifold Assembly – L.P. Gas	1
111	Upper Burner Manifold Gasket	1
112	Lower Burner Manifold Gasket	1
113	Combustion Chamber Pressure Tap Screw	1
114	Combustion Chamber Front Plate Assembly	1
115	Combustion Chamber Front Plate	1
116	Spark Electrode	1
117	Flame Sense Rod	1
118	Electrode Gasket	1
119	Electrode Holder	1
120	Upper Combustion Chamber Gasket	1
121	Combustion Chamber Pressure Tap	1
122	Pressure Tube	1
125	Combustion Blower Assembly	1
126	Blower Housing Assembly	1
127	Blower Mounting Bracket	1
128	Blower Gasket	1
129	Blower Motor	1
130	Blower Venturi Inlet Plate	1
131	Bellow Connecting Bracket/Intake Duct	1
132	Combustion Chamber Bracket	1
135	Side Air Inlet Box Assembly	1
136	Bellows Connecting Bracket/Blower	1
137	Bellows	1
138	Bellows Clamping Ring	1
139	Top Air Inlet Box Assembly	1
140	Exhaust Bracket	1
141	Exhaust Bracket Holder	2
142	Air Inlet Box Cover	1
145	Heat Exchanger – Complete Assembly	1
400	Water Inlet – 3/4" NPT	1
401	Water Flow Servo and Sensor Assembly	1
402	Rectifier	1
403	By-pass Servo Assembly	1
404	Sensor Bracket	2
405	Bypass O-Ring	1

<b>Number</b>	<b>Description</b>	<b>Quantity</b>
406	Water Filter Assembly	1
407	Filter Plug	1
408	Hot Water Outlet – 3/4" NPT	1
409	Sensor Bracket	1
410	Small Plug Gasket	1
411	Drain Valve	1
700	PCB Board Assembly	1
701	Surge Protector	1
702	PCP Cover - Side	1
703	PCB Cover - Front	1
704	Transformer	1
705	PCB Bracket	1
706	Igniter	1
707	High Tension Lead	1
708	Spark Electrode Boot	1
709	Thermistor	2
710	Thermistor Clip - Large	1
711	Thermal Fuse Clip	5
712	Frost Sensing Switch	1
713	120v Anti-Frost Heater Assembly	1
714	Heater Connecting Harness	1
715	120v Valve Heater Assembly	1
716	Anti-Frost Heater Clip	2
717	Anti-Frost Heater Clip A	1
718	Anti-Frost Heater Clip	1
719	Inlet Air Thermistor	1
720	Power Supply Harness	1
721	Fuse Harness	1
722	100v Harness	1
723	Solenoid Valve Harness	1
724	Sensor Harness	1
725	Thermal Fuse Harness	1
726	Mold-type Limit Switch	1
727	Remote Control Cable	1
728	Remote Control Bracket	1
729	Main Body Control Panel Assembly	1
800	Screw	8
801	Screw	4
802	Washer	4
803	Screw	3
804	Screw	1
805	Screw	3
810	O-Ring	2
811	O-Ring	1
812	O-Ring	1
813	O-Ring	2
814	O-Ring	2
815	O-Ring	2
816	O-Ring	1
817	O-Ring	1
818	Gasket	2
238-44958-00	Installation and Operating Instructions	1
239-44509-00	Main Control - Residential	1
239-44510-00	Main Control - Commercial	1
239-44507-00	Bathroom Remote Temperature Control	1
239-44508-00	2 <sup>nd</sup> Bathroom Remote Temperature Control	1

## VENTING COMPONENTS

Part #	Description	Quantity
239-44516-00	Standard Vent Discharge Kit (Includes 1 Horizontal Discharge Adapter and 1 Wall Discharge Terminal)	1
239-44506-00	Horizontal Discharge Adaptor	1
239-44505-00	Wall Discharge Terminal (for wall thicknesses from 4" to 20")	1
239-44500-00	Vertical Discharge Adaptor	1
239-44494-00	Roof Discharge Terminal	1
239-44501-00	Condensate Collector Collar	1
239-44492-00	Roof Flashing – Flat Roof	1
239-44502-00	Roof Flashing – 1/12 to 6/12 Pitch	1
239-44504-00	Roof Flashing – 6/12 to 12/12 Pitch	1
239-44503-00	Roof Flashing – 8/12 to 16/12 Pitch	1
239-44496-00	10" Pipe Extension	1
239-44497-00	19.5" Pipe Extension	1
239-44498-00	39" Pipe Extension	1
239-44499-00	90 Degree Vent Pipe Elbow	1
239-44495-00	45 Degree Vent Pipe Elbow	1
239-44493-00	Vent Pipe Clamp	1

**Note: When ordering service replacement parts, the full model and serial numbers from the water heater nameplate are required.**

## Free Manuals Download Website

<http://myh66.com>

<http://usermanuals.us>

<http://www.somanuals.com>

<http://www.4manuals.cc>

<http://www.manual-lib.com>

<http://www.404manual.com>

<http://www.luxmanual.com>

<http://aubethermostatmanual.com>

Golf course search by state

<http://golfingnear.com>

Email search by domain

<http://emailbydomain.com>

Auto manuals search

<http://auto.somanuals.com>

TV manuals search

<http://tv.somanuals.com>