



Residential Extra Recovery Series (XR) Energy Saver Gas Water Heater



Photo is of
M-2-XR65T6FBN

The XR Atmospheric Vent FVIR Defender Safety System® Models Feature (Except M-2-XR75S):

- **Advanced ScreenLok® Technology Flame Arrestor Design**—Flame arrestor is designed to prevent ignition of flammable vapor outside of the water heater.
- **Resettable Thermal Switch**—Proven and reliable bimetallic switch prevents burner and pilot operation in case of ongoing flammable vapor burn inside of the combustion chamber or restricted air flow.
- **Piezo Igniter**—Easy and quick lighting of the pilot burner by push button.
- **Pedestal Base**—Rugged and durable base allows easy transport, positioning and provides corrosion resistant contact with floor.
- **Maintenance Free**—No regular cleaning of air inlet openings or flame arrestor is required under normal conditions.
- **Sight Window**—Offers a view into the combustion chamber to observe the operation of the pilot and burner.

All XR Models Feature:

- **Factory Installed Hydrojet® Total Performance System**—Cold water inlet sediment reducing device helps prevent sediment build up in tank. Increases first hour delivery of hot water while minimizing temperature build up in tank.
- **Vitraglas® Lining**—Bradford White water heater tanks are protected from the corrosive effects of hot water by an exclusive ceramic porcelain-like coating. The Bradford White high silica Vitraglas® lining provides a tough interior surface for our hot water tanks.
- **Fully Automatic Controls**—Built-in energy cut-off switch prevents abnormally high water temperature for extra safety. Built-in gas pressure regulation.
- **Side Connections**—3/4" NPT tapings allow easy connections for space heating applications (potable water only).
- **2" Non-CFC Foam Insulation**—Surrounds the tank surface, saving energy by retarding loss of heat (M-1 models have 1" of insulation).
- **Water Connections**—3/4" NPT factory installed true dielectric fittings extend water heater life and eases installation (M-2-XR75S has 1" NPT dielectric waterway fittings).
- **Factory Installed Heat Traps**—Design incorporates a flexible disk that reduces heat loss in piping and eliminates the potential for noise generation (Except M-2-XR75S).
- **Protective Magnesium Anode Rod**—Provides added protection against corrosion for long trouble-free service.
- **3x4 "Snap Lock" Draft Diverter**—Allows either 3" or 4" vent connections with inputs of 40,000 BTU/Hr. or less. Over 40,000 BTU/Hr. has the 4" "Snap Lock" Draft Diverter.
- **Flue Baffle**—Maximizes the amount of heat absorbed by the tank and reduces heat loss during standby periods.
- **Steel Tank**—Heavy gauge steel automatically formed, rolled and welded.
- **T&P Relief Valve**—Included.
- **Brass Drain Valve.**
- **Design Certified by CSA International (formerly AGA/CGA).**



6 or 10-Year Limited Tank Warranties / 6-Year Limited Warranty on Component Parts.

For more information on warranty, please visit www.bradfordwhite.com

For products installed in USA, Canada and Puerto Rico. Some states do not allow limitations on warranties. See complete copy of the warranty included with the heater.

Bradford White received the highest numerical score among water heater/boiler manufacturers in the proprietary J.D. Power and Associates/ McGraw-Hill Construction 2006 HVAC and Water Heater/Boiler Subcontractor Satisfaction Study™. Study based on 882 responses measuring 3 water heater/boiler manufacturers and measures opinions of subcontractors. Proprietary study results are based on experiences and perceptions of subcontractors surveyed in May through July 2006. Your experiences may vary. Visit jdpower.com

MANUFACTURED UNDER ONE OR MORE OF THE FOLLOWING U.S. PATENTS: 7,063,133 B2; 5,954,492; 5,954,492; 5,761,379; 5,943,984; 5,081,696; 5,988,117; 6,142,216; 5,199,385; 5,574,822; 5,372,185; 5,485,879; 5,277,171; (B1)5,341,770; 5,660,165; 5,596,952; 5,682,666; 4,904,428; 5,023,031; 5,000,893; 4,669,448; 4,829,983; 4,808,356; 5,115,767; 5,092,519; 5,052,346; 4,416,222; 4,628,184; 4,861,968; 4,672,919; Re. 34,534. OTHER U.S. AND FOREIGN PATENT APPLICATIONS PENDING. CURRENT CANADIAN PATENTS: 1,272,914; 1,280,043; 1,289,832; 2,045,862; 2,112,515; 2,108,186; 2,107,012; 2,092,105. Defender Safety System®, ScreenLok®, Vitraglas® and Hydrojet® are registered trademarks of Bradford White® Corporation.

XR Series Energy Saver Models

NATURAL GAS AND LIQUID PROPANE GAS

Meet or exceed ASHRAE 90.1b (current standard) C.E.C. Listed
79% and 80% Recovery Efficiency

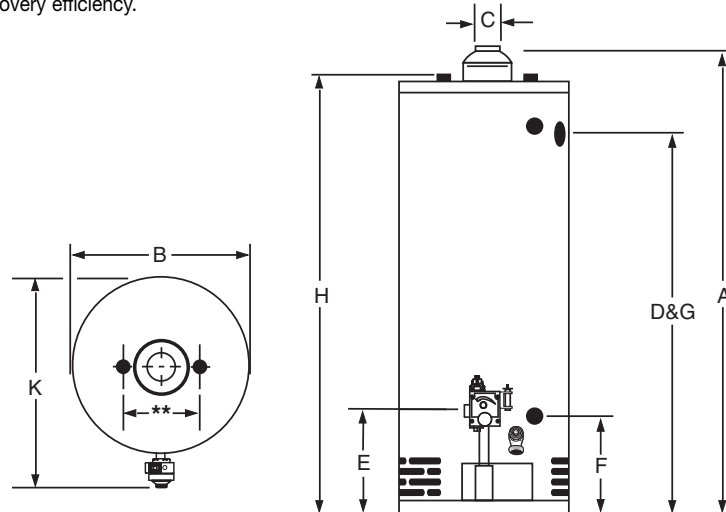
Model Number	Capacity		Recovery* 90°F Rise				A Floor to Flue Conn. in.	B Jacket Dia. in.	C Vent Size in.	D Floor to T&P Conn. in.	E Floor to Gas Conn. in.	F Floor to Space Heating Return in.	G Floor to Space Heating Outlet in.	H Floor to Water Conn. in.	K Depth in.	Approx. Shipping Weight lbs.		
	U.S. Gal.	Imp. Gal.	Nat. BTU/Hr. Input	LP BTU/Hr. Input	Nat. U.S. GPH	Nat. Imp. U.S. GPH											LP U.S. GPH	
M-1-XR403S6FBN	40	33	40,000	38,000	43	36	40	33	50	20	3x4	41	13	13 1/2	41	48 1/2	24	126
M-2-XR504T6FBN	48	40	65,000	61,000	69	57	65	54	59 1/4	22	4	50	13	13 1/2	50	57	26	164
M-2-XR65T6FBN	65	54	65,000	63,000	69	57	67	56	63	24	4	53 1/2	12 9/16	13 1/2	53 1/2	60 3/4	28	205
M-2-XR75S6BN	75	62	76,000	76,000	81	68	81	68	63 3/4	26	4	53	16	17 3/4	53	61 1/4	30	282

Model Number	Capacity		Recovery* 50°C Rise				A Floor to Flue Conn. mm.	B Jacket Dia. mm.	C Vent Size mm.	D Floor to T&P Conn. mm.	E Floor to Gas Conn. mm.	F Floor to Space Heating Return mm.	G Floor to Space Heating Outlet mm.	H Floor to Water Conn. mm.	K Depth mm.	Approx. Shipping Weight kg.
	Liters		Nat. kW Input	LP kW Input	Nat. Liters/Hour	LP Liters/Hour										
M-1-XR403S6FBN	151		11.7	11.1	163	151	1270	508	76 / 102	1041	330	343	1041	1232	609	57
M-2-XR504T6FBN	182		19.1	19.1	261	246	1505	559	102	1270	330	343	1270	1448	660	74
M-2-XR65T6FBN	246		19.1	18.5	261	253	1600	609	102	1359	309	342	1359	1543	711	93
M-2-XR75S6BN	284		22.3	22.3	303	306	1619	660	102	1346	406	451	1346	1569	762	127

All propane heaters are equipped with a cast iron burner. To order a propane heater change suffix "BN" to "CX".

For 10 year models, change suffix from "6" to "10".

*Based on manufacturers rated recovery efficiency.



**M-1-XR403S water connections are on 8" centers, all other models are 11" centers.

Meets NAECA Requirements

General

All gas water heaters are certified at 300 PSI (2068 kPa) test pressure and 150 PSI (1034 kPa) working pressure. All water connections are 3/4" (19mm) NPT. The M-2-XR75S model has 1" (25mm) NPT connections. All gas connections are 1/2" (13mm).

All models design certified by CSA International (formerly AGA/CGA), ANSI Z-21.10.1 and/or 10.3 and peak performance rated.

Dimensions and specifications subject to change without notice in accordance with our policy of continuous product improvement.

Suitable for Water (Potable) Heating and Space Heating.

Toxic chemicals, such as those used for boiler treatment, shall NEVER be introduced into this system. This unit may NEVER be connected to any existing heating system or component(s) previously used with a non-potable water heating appliance.



For U.S. and Canada field service, contact your professional installer or local Bradford White sales representative.

Sales 800-523-2931 • Fax 215-641-1670 / Technical Support 800-334-3393 • Fax 269-795-1089 • Warranty 800-531-2111 • Fax 269-795-1089

International: Telephone 215-641-9400 • Telefax 215-641-9750 / www.bradfordwhite.com

BRADFORD WHITE-CANADA INC. Sales / Technical Support 866-690-0961 / 905-238-0100 • Fax 905-238-0105 / www.bradfordwhite.com

Built to be the Best™

©2007, Bradford White Corporation. All rights reserved.

Free Manuals Download Website

<http://myh66.com>

<http://usermanuals.us>

<http://www.somanuals.com>

<http://www.4manuals.cc>

<http://www.manual-lib.com>

<http://www.404manual.com>

<http://www.luxmanual.com>

<http://aubethermostatmanual.com>

Golf course search by state

<http://golfingnear.com>

Email search by domain

<http://emailbydomain.com>

Auto manuals search

<http://auto.somanuals.com>

TV manuals search

<http://tv.somanuals.com>