

# BRAUN

SI 6575  
SI 6530  
SI 6245  
SI 6220  
SI 6210

# Free Style



**Type 4 681**

**Type 4 694**

**Type 4 699**



**Braun Infoline**

**GB**

**Helpline**

Should you require any further assistance please call Braun (UK) Consumer Relations on **0800 783 70 10**

**IRL**

**Helpline**

**1 800 509 448**

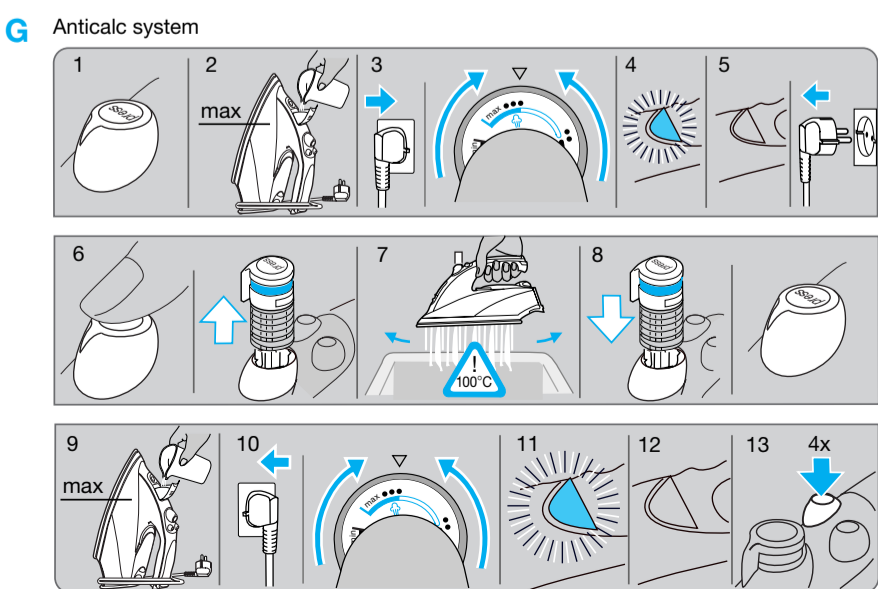
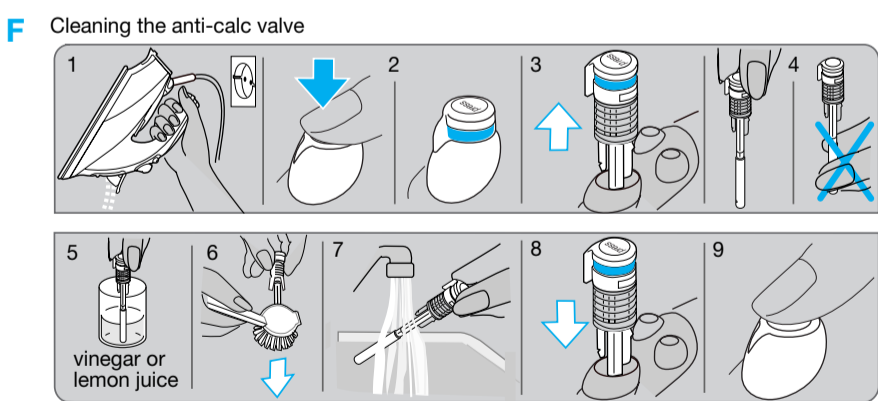
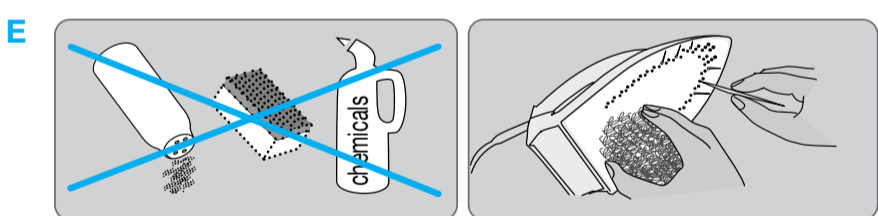
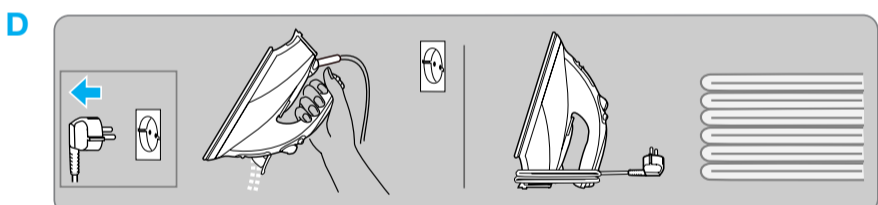
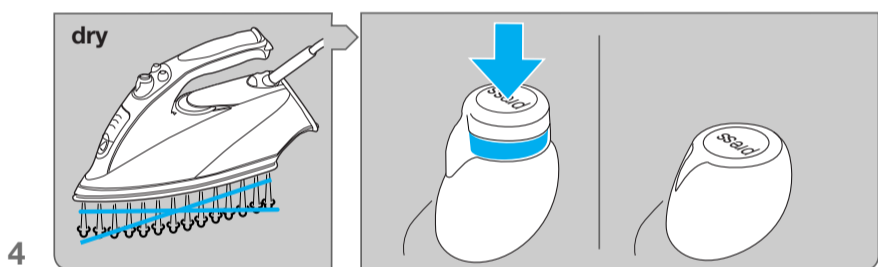
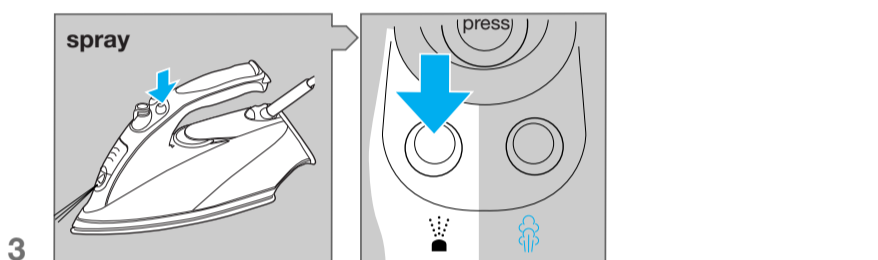
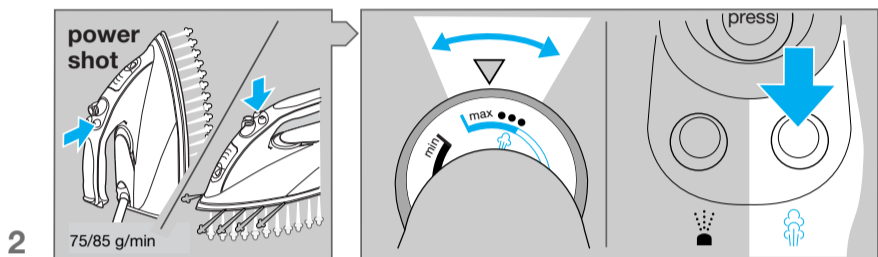
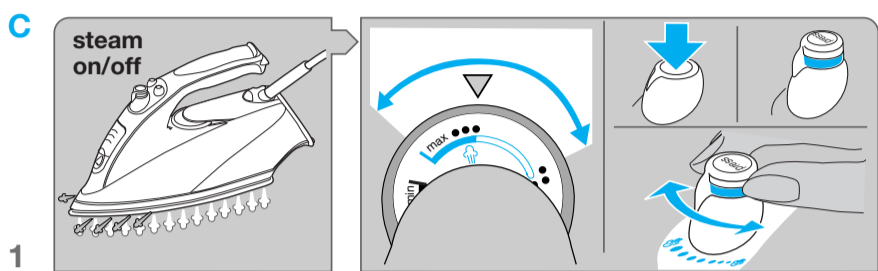
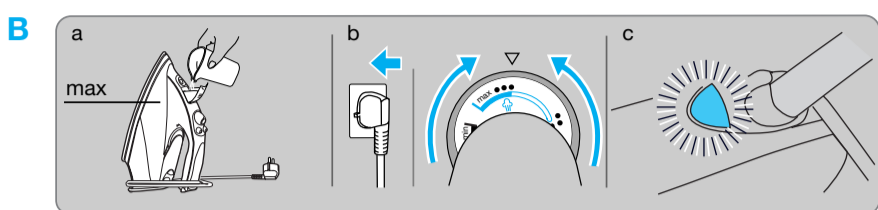
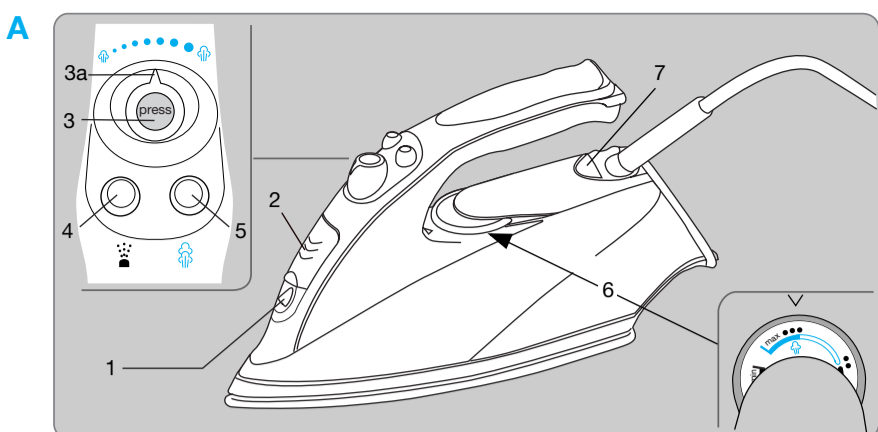
**AUS**

**Helpline**

Australian Consumer Service (free call): **1 800 641 820**

**Internet:**

[www.braun.com](http://www.braun.com)



Our products are engineered to meet the highest standards of quality, functionality and design. We hope you enjoy your new Braun FreeStyle.

**Notice:** Remove the sole plate label, if any, before first use.

## Important safeguards

- Before using the iron, read the use instructions completely. Keep the use instructions during the entire life of the iron.
- Make sure your voltage corresponds to the voltage printed on the iron. Connect the iron to alternating current only.
- Always unplug the iron before filling with water and make sure the steam button is in its lower position (steam off). Always pull the plug, not the cord. The cord should never come in contact with hot objects or with the hot sole plate.
- Never immerse the iron in water or other liquids.
- During ironing pauses, always place the iron upright on its heel rest. Unplug it when leaving the room, even if only for a short time.
- Never pull out the steam button (3) during ironing.
- Keep the iron away from children. Electric irons combine high temperatures and hot steam that could lead to burns.
- Check the cord regularly for possible damage.
- If the appliance (including cord) shows any defect, stop using it and take it to a Braun Service Centre for repair.
- Faulty or unqualified repair work may cause accidents or injury to the user.

## A Description

- 1 Spray nozzle
- 2 Water tank opening
- 3 Steam button
- 3a Steam regulator
- 4 Spray button
- 5 Power shot button
- 6 Temperature selector
- 7 Temperature/auto-off\* pilot light

## B Before starting off

- This iron is designed for tap water. If you have extremely hard water, we recommend to use a mixture of 50% tap water and 50% distilled water. Fill the water tank to «max» marking. Never use distilled water exclusively. Do not add any additives (e.g. starch).
- Keep the iron in the upright position and connect it to the mains. Select the temperature according to the ironing guide on the heel rest of the iron or on the label in your garments.
- The temperature pilot light (7) goes off, when the desired temperature is reached (after approx. 1 minute).

## C Ironing

### 1 Steam on/off

For steam ironing, the temperature selector (6) must be set within the red range. Press the steam button (3) to start the steam mode.



With the steam button in its upper position, turn the steam regulator (3a) to adjust the steam quantity.

### Preconditioning

(not with SI 6210 model)

Steam develops also horizontally at the front area of the sole plate. This pre-conditions the textiles by «pre-steaming», thus making ironing easier. Be careful – steam comes out laterally.

### 2 Power shot

Prior to use, press the power shot button (5) 3 to 4 times to activate it. Press the power shot button in intervals of at least 5 seconds. Power shot can be activated when dry ironing. However, the temperature selector has to be set in the range between «•••» and «max». The power shot function can also be used in the vertical position for steaming hanging clothes.

### 3 Spray function

Press the spray button (4).

### 4 Dry ironing

Turn the steam mode off by pressing the steam button (3) so that it catches in the lower position.

### 5 Automatic shut-off\*

(\*available on SI 6245 model only)  
Important: the auto shut-off feature is mercury-free. The auto shut-off mechanism causes a slight rattling noise during ironing. This is normal and in no case indicates a fault of the iron. The «auto-off» pilot light (7) will flash when the automatic shut-off is activated. This happens when the iron has rested:

- horizontally on the soleplate for about 30 seconds or
- vertically on the heel rest (8) for about 15 minutes or
- when the iron has been lying on its side for about 30 seconds.

To turn on the iron again just move it. When the «auto-off» pilot light (7) stops flashing the electrical power is on again.

## D After ironing

- Unplug the iron and press the steam on/off button (3) so that it catches in its lower position (steam off).
- To prolong the life of the iron, empty the water tank.
- Store the cool iron in a dry place always standing on its heel rest.

## E Maintenance and cleaning

To clean the sole plate, use steel wool. Then wipe the sole plate clean with a cloth. Never use a scouring pad, vinegar nor other chemicals. To clean the soft material of handle and power shot and spray buttons, use soapy water.

## F Cleaning the anticalc valve

The iron's anticalc valve is located at the lower end of the steam button (3). It has to be decalcified regularly (e.g. when the steam development is insufficient). Proceed as follows:

- 1) Unplug the iron and empty the water tank.
- 2) Press the steam button so it is lifted.
- 3) Remove carefully (some water may now leak from the sole plate).
- 4) Do not touch the anticalc valve.
- 5) Immerse in vinegar (not vinegar essence) or lemon juice until the lime becomes soft.
- 6) Use a non-metallic brush until all openings are clean.
- 7) Rinse under running water.
- 8) Re-insert the steam button.
- 9) Press to check the steam on/off function.

**Note:** the iron must never be used without the steam button.

## G Decalcifying/ anticalc system

When scale particles come out of the steam vents or when the steam development is insufficient even after cleaning the anticalc valve, you should clean the steam chamber as follows:

- 1) Make sure the steam button is in its lower position.
  - 2)–3) Fill water into the tank, connect to the mains and select the «•••» temperature setting.
  - 4)–5) Wait until the pilot light turns off. Unplug the iron.
  - 6)–7) Hold the iron over a sink, then press the steam button so it is lifted, carefully pull it up, turn it and rest it in this position.
- Caution:** When the steam button is pulled up, hot water and steam will come out from the sole plate.
- 8) Push back the steam button until it catches in the lower position.
  - 9)–10) Fill water into the tank, connect to the mains and select the «•••» temperature setting.
  - 11)–13) When the pilot light goes off, press the power shot button 4 times to rinse the iron. Disconnect the iron and wait for the sole plate to cool off, then clean it as described above in section E.

**Note:** the iron must never be used without the steam button.

## H Trouble-shooting guide

Problem	Remedy
Drops coming out of the steam vents	Turn the steam regulator anti-clockwise to reduce the steam or press the steam button to turn the steam off. Take longer intervals when pressing the power shot button. Select a higher temperature setting.
No steam at all	Press the steam button so that it is lifted.
Less steam develops or no steam at all	Clean the anticalc valve (see F).
Calcium particles coming through the steam vents	Decalcify the steam chamber (see G).

Subject to change without notice.

This product conforms to the EMC-Requirements as laid down by the Council Directive 89/336/EEC and to the Low Voltage Regulation (73/23 EEC).



**For UK only:**

### **Guarantee**

We grant 2 years guarantee on the product commencing on the date of purchase. Within the guarantee period we will eliminate, free of charge, any defects in the appliance resulting from faults in materials or workmanship, either by repairing or replacing the complete appliance as we may choose.

This guarantee extends to every country where this appliance is supplied by Braun or its appointed distributor.

This guarantee does not cover: damage due to improper use, normal wear or use as well as defects that have a negligible effect on the value or operation of the appliance. The guarantee becomes void if repairs are undertaken by unauthorised persons and if original Braun parts are not used.

To obtain service within the guarantee period, hand in or send the complete appliance with your sales receipt to an authorised Braun Customer Service Centre.

This guarantee in no way affects your rights under statutory law.

## Free Manuals Download Website

<http://myh66.com>

<http://usermanuals.us>

<http://www.somanuals.com>

<http://www.4manuals.cc>

<http://www.manual-lib.com>

<http://www.404manual.com>

<http://www.luxmanual.com>

<http://aubethermostatmanual.com>

Golf course search by state

<http://golfingnear.com>

Email search by domain

<http://emailbydomain.com>

Auto manuals search

<http://auto.somanuals.com>

TV manuals search

<http://tv.somanuals.com>