

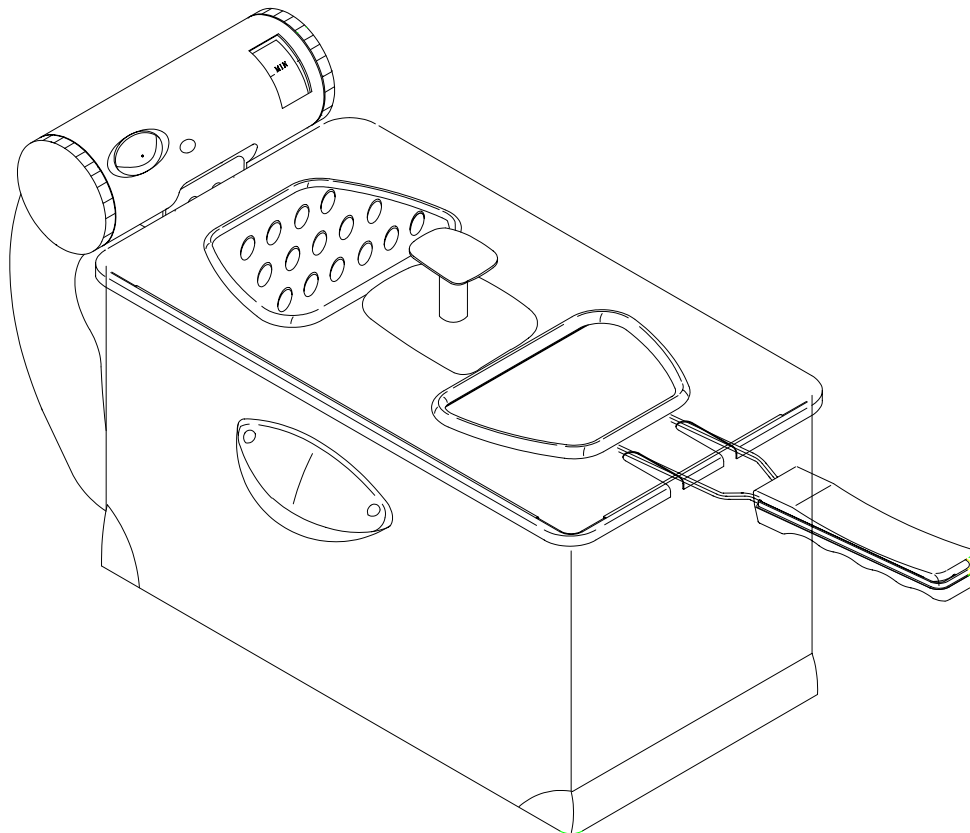
# **Bravetti**<sup>TM</sup>

## **PLATINUM PRO**

### **Professional Deep Fryer**

#### **Use and Care Instructions**

#### **Model EP65**



For information or assistance, call 514-842-8691

**USA:EURO-PRO** Corporation  
178 West Service Rd.  
Champlain, NY 12919

**Canada: EURO-PRO** Corporation  
4400 Bois Franc  
St. Laurent, QC H4S 1A7

# IMPORTANT SAFEGUARDS

When using electrical appliances, basic safety precautions should always be followed, including the following:

1. Read all instructions.
2. Do not touch hot surfaces, always use handles or knobs.
3. To protect against electrical shock, do not immerse cord and plug of this appliance in water or other liquids.
4. Close supervision is necessary when any appliance is used by or near children.
5. Unplug from outlet when not in use and before cleaning. Allow to cool before putting on or taking off parts and before cleaning the appliance.
6. Do not operate any appliance with a damaged cord or plug, or after the appliance malfunctions, has been dropped or damaged in any manner. Return the appliance to **EURO-PRO Corporation** for examination, repair or adjustment. See warrantee.
7. Never plug in before the control panel is installed in the body of the fryer and the heating element is placed in the oil container.
8. Never overfill the fryer with oil. Fill only between the minimum and maximum levels, as indicated inside the oil container.
9. Be sure handle is properly assembled to the basket and locked in place. See detailed assembly instructions.
10. The use of accessory attachments not recommended by the appliance manufacturer may cause injuries.
11. Always insert heating element in the appliance first, then plug into the wall outlet. To disconnect, remove plug from wall outlet then wait for the unit to cool completely before removing the heating element.
12. Extreme caution must be used when moving any appliance containing hot oil or other hot liquids.
13. Do not leave appliance unattended while in use.
14. Do not use outdoors.
15. Do not let cord hang over the edge of the table, counter or touch hot surfaces.
16. Do not place on or near a hot gas or electric burner, or in a heated oven.
17. Do not use appliance for other than intended household use.

## SAVE THESE INSTRUCTIONS FOR HOUSEHOLD USE ONLY SPECIAL SAFETY INSTRUCTIONS

- A short power supply cord is provided to reduce the risk resulting from becoming entangled in or tripping over a longer cord. An extension cord (or longer detachable cord) is not recommended for use with deep fryers.
- Never plug in the control panel before it is installed in the body of the fryer with the heating element inside the oil container.
- Do not immerse the control panel and heating element in water.
- When opening the lid after frying, first release the lid by pushing the latch with your finger, then wait a moment to allow the steam inside to escape before opening fully.
- To avoid a circuit overload, do not operate another high wattage appliance on the same circuit.

This appliance has a polarized plug (one blade is wider than the other). To reduce the risk of electric shock, this plug is intended to fit into a polarized outlet only one way. If the plug does not fit fully into the outlet, reverse the plug. If it still does not fit, contact a qualified electrician. Do not attempt to modify the plug in any way.

## SAVE THESE INSTRUCTIONS

# CONTENTS

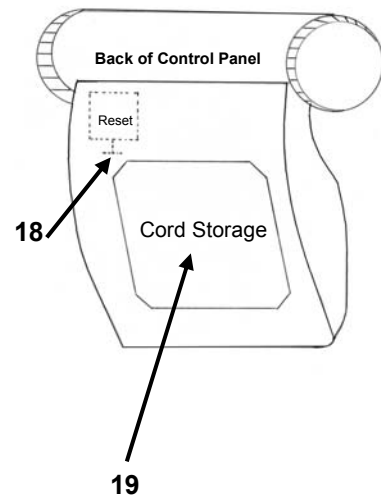
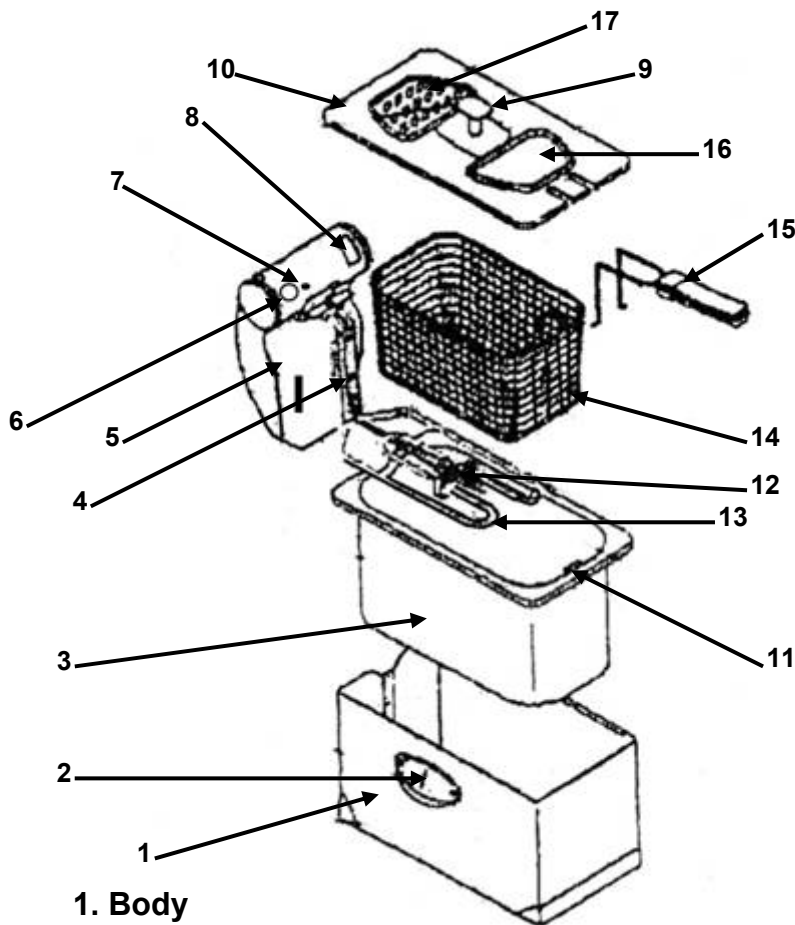
Important Safeguards .....	1
Special Safety Instructions .....	1
Main Components .....	3
#1 Before Using for the First Time .....	4
- Prior to First Use, Clean the Unit Thoroughly .....	4
#2 Filling the Stainless Steel Container With Oil .....	5
- Using Solid Fat .....	5
#3 Installing the Control Panel Into Its Place .....	6
#4 Using the Deep Fryer .....	7
- Pre-Heating .....	7
- Filling the Frying Basket .....	8
- Frying Food .....	8
#5 At the End of Cooking .....	9
#6 Frying Tips .....	10
#7 Filtering and Changing the Oil .....	11
#8 How to Reset .....	11
#9 Cleaning Instructions .....	12

## Main Components

# Bravetti™

PLATINUM PRO

Model EP65  
Professional Deep Fryer  
120 Volt, 60 Hz  
1500 watts



1. Body
2. Body Handle
3. Oil Container
4. Oil Level Indicator
5. Control Panel With Heating Element
6. On/off Switch
7. Temperature Indicator Light
8. Temperature Setting Dial
9. Lid Handle
10. Lid Cover

11. Basket Rest
12. Thermostat
13. Heating Element
14. Frying Basket
15. Basket Handle
16. Window
17. Filter (\*cannot be seen)
18. Reset Button
19. Cord Storage

Read all the sections of this booklet and follow all the instructions carefully.

## 1. Before Using for the First Time

**Warning:** Never plug in the control panel (#5) when it is not installed in the fryer body with heating element (#13) in the oil container. Do not immerse the control panel, cord or plug in water.

**Warning:** This unit should not be used to boil water.

### Prior To First Use, Clean The Unit Thoroughly

**Warning:** Always let the fryer cool completely for 2 hours before taking it apart for cleaning. Never carry or move the Deep Fryer with hot oil inside. Before cleaning, always make sure the plug is not in the wall socket.

- All components with the exception of the electrical parts, can be washed in warm soapy water. Dry thoroughly before use.
- Use basket handle (#15) to remove the frying basket (#14). Always make sure the basket handle is securely attached to the basket. To attach the handle to the frying basket, insert the metal part of the handle inside the metal bracket on the frying basket. (Fig. 1)
- Lift the control panel with heating element (#5) out of its slots by pushing it up from the bottom with one hand while holding the body (#1) of the deep fryer with your other hand.
- Remove the oil container (#3).
- Clean the oil container (#3) and the frying basket (#14) with hot water, dishwashing liquid and a non-abrasive sponge.

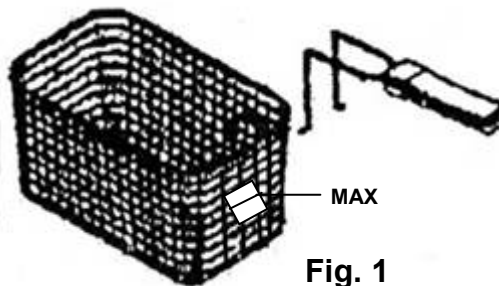


Fig. 1

**Warning:** Never immerse the control panel (#5) in water or any other liquids.

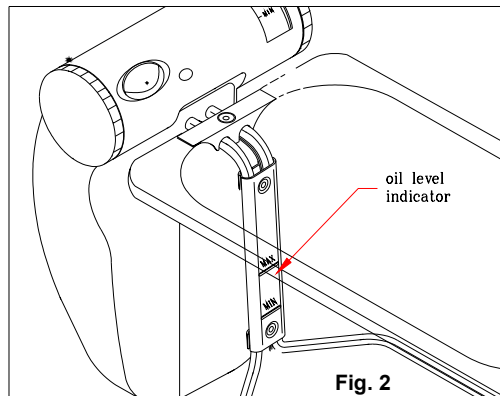
**Warning:** All components must be completely dried before filling with oil or using. Special care must be taken to ensure the washable oil filter (#17) in the lid is completely dry, otherwise the filter will not function properly and may lead to steam being trapped within the fryer during use.

**Warning:** Never exceed "MAX" line when filling the basket with food.

## 2. Filling the Stainless Steel Container With Oil

**Warning:** Never plug in the Deep Fryer before filling with oil to specified level. Always make sure control panel (#5) is securely in place in the body (#1) and the heating element (#13) is inside the oil in the container before plugging in.

- Use blended vegetable oil, pure corn oil or canola (rapeseed) oil. Do not use olive oil, margarine, lard or drippings.
- The oil level must always be maintained between the minimum (11 cups/2.75 liters) and the maximum (14 cups/3.5 liters) levels marked inside the oil container (#3). Check the oil level before each use. For best results, keep the oil close to the maximum level (14 cups/3.5 liters).  
Fig. 2
- Never mix different oils and fats together. Do not mix old and new oil.



### Using Solid Fat

**Warning:** Do not put solid shortening in the oil container (#3) or the frying basket (#14).

- If using solid vegetable shortening, melt it first in a separate pan and then very carefully pour the melted fat into the oil container (#3).
- Previously used solid vegetable shortening which has curdled and hardened in the oil container (#3) should be removed from the oil container and melted in a separate pan before reusing.

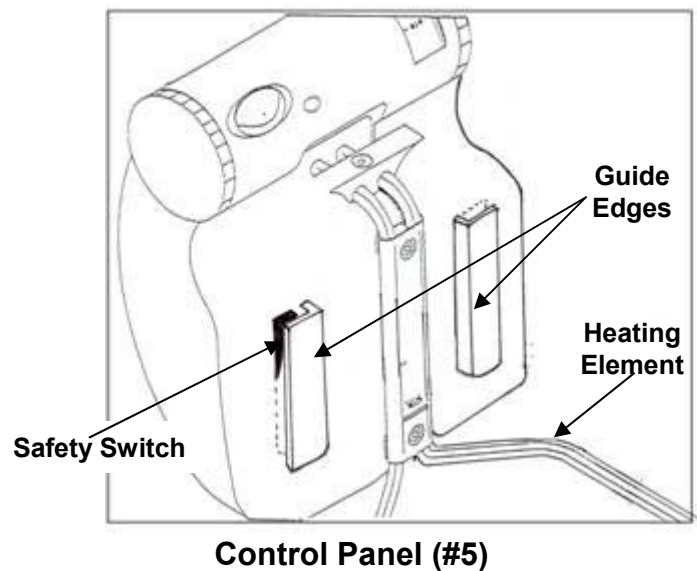
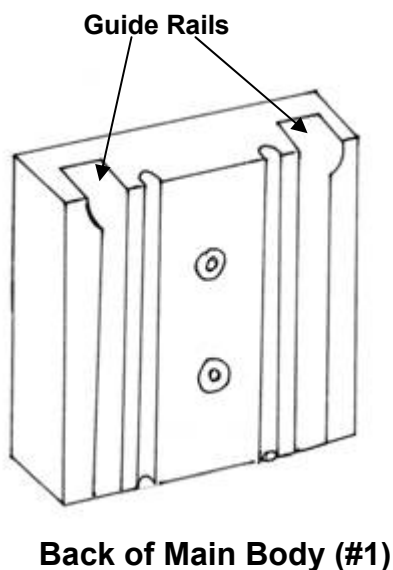
**Warning:** If you try to melt the solidified fat in the oil container (#3), there is a risk of warm melted fat suddenly sputtering from below through the still solid top layer of fat. Therefore use only the following procedure:

- Make sure the fat is at room temperature. If the fat is very cold, there is a greater risk of splashing.
- Using a fork, carefully make some holes in the fat. Make sure the lid is securely closed while fat is melting. Set temperature dial (#8) to 320° F (160 °C).

### 3. Installing the “Control Panel With the Heating Element (#5)” Into its Place

- Lift up the “Control Panel with Heating Element” (#5).
- Slide the “Guide Edges” on the Control Panel (#5) into the “Guide Rails” mounted on the metal body (#1).
- Slide the “Guide Edges” down till the end.

**Important Notice:** The Automatic Safety Switch ensures that the unit will not operate unless the Control Panel (#5) has been inserted into the “Guide Rails” on the metal body (#1) correctly.



## 4. Using the Deep Fryer

**Warning:** Never plug in the Deep Fryer before filling with oil to specified level. Always make sure control panel (#5) is securely in place in the body (#1) and the heating element (#13) is inside the oil in the container before plugging in.

**Important:** Ensure the control panel (#5) is fitted correctly to the main unit otherwise the unit will not function. This is not a defect. This product is fitted with a safety switch to prevent the unit from turning on accidentally.

### Pre-Heating

**Warning:** Never plug in the Deep Fryer before filling with oil. (See instructions in section 2.) Always unplug the appliance when not in use.

- Make sure the oil level in the oil container (#3) is between the “minimum” and “maximum” lines inside the oil container (#3).
- The frying basket (#14) should not be immersed in the oil during the pre-heating.
- Replace the lid cover (# 10).
- Plug the appliance into a 120-volt outlet.
- Turn the on/off switch (#6) to the “on” position.
- Select the required temperature on the temperature setting dial (#8). Fig. 3

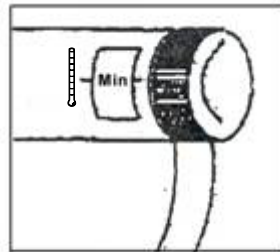


Fig. 3

**Warning:** In order to avoid injury or burns, never touch any metal parts on the deep fryer because they may be hot.

- Pre heating the oil will take up to 15 minutes depending on the temperature selected.
- The temperature indicator light (# 7) will come on when the temperature is set and the deep fryer is “on” showing that the heating element is in operation. This light goes off when the set temperature is reached. Fig. 4 The temperature light may go on and off several times during frying. This indicates that the temperature is thermostatically maintained.

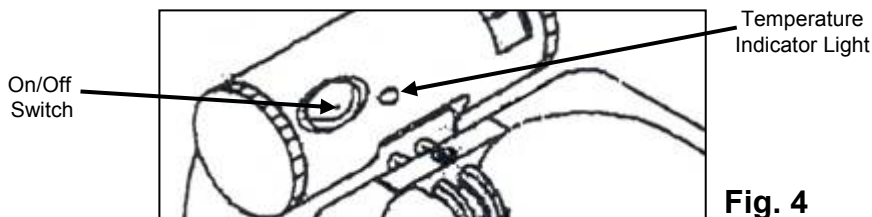


Fig. 4



## Filling the Frying Basket

- Do not fill the frying basket (#14) when it is immersed in oil.
- Place the food in the frying basket (# 14). Do not overfill it and never exceed the maximum quantities. For optimum results and shorter frying time, basket should be only 1/2 full.
- The basket has approximately 1 lb. food capacity. It will hold 3-4 average size pieces of chicken.
- Do not fill the basket higher than the “MAX” line on the basket with frozen food.

**Warning:** When frying foods, remove the frying basket (#14) from the deep fryer before filling with frozen food because oil will spatter and cause burns.

**IMPORTANT:** When frying frozen foods such as French Fries, you should not exceed 1 Lb. (454 gr.) For healthy, crispy results limit quantity to 3/4 Lb. (350 gr.) or less.

## Frying Food

**Warning:** To avoid injury or burns, do not touch any metal parts on the deep fryer because they may be hot.

- Always use the frying basket (#14) to fry food.
- Always close the lid (#10) during frying.
- When the oil is pre-heated, temperature indicator light (#7) will go off to indicate desired temperature is reached.
- Slowly lower the frying basket (#14) into the hot oil. Lowering the frying basket too quickly can result in the oil overflowing and splashing.
- Replace the lid carefully.
- It is normal for steam to escape through the sides of the lid while frying.
- Avoid standing too close to the deep fryer while it is working.

**Warning:** When opening the lid cover (#10) after frying, lift up the lid slightly, then wait to allow steam to escape before opening the lid completely. Keep face away from unit to avoid burns caused by escaping steam.

## 5. At the End of Cooking

**Warning:** When you have finished frying, always turn the temperature setting dial (#8) to lowest position and unplug the deep fryer. To avoid injury or burns, do not touch any metal surfaces as they may be hot.

- Set temperature setting dial (#8) to lowest position, (turn fully counter-clockwise.)
- Turn “On/Off” switch (#6) to “Off” position.
- Unplug the main cord from the wall socket.
- Lift up the lid cover (# 10) slowly and wait to allow steam to escape before opening the lid cover (#10) completely.
- Lift up the frying basket (# 14) by the handle (#15). Place it on the basket rest (#11) and allow the food to drain for a minute.
- Once the oil has drained from the frying basket (#14), the basket may be lifted off and the food served.

**Warning:** Always let the deep fryer cool completely (approximately 2 hours) before cleaning or storing. Never carry or move the deep fryer with hot oil inside.

- Wind the main cord & store inside the main cord storage (#19) cavity at the rear of the control panel. Fig. 5

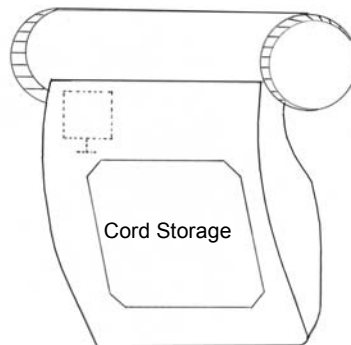


Fig. 5

## 6. Frying Tips

- Do not mix different oils or new and old oil together.
- Replace oil regularly. In general, oil will be tainted fast when frying food containing a lot of protein, (such as poultry, meat and fish). When oil is used mainly to fry potatoes and is filtered after each use, it can be used up to 8 to 10 times, but do not use the same oil for more than 6 months.
- Always replace all oil as soon as it starts foaming when heated or when color becomes dark or when it has a rancid smell or taste or becomes syrupy.
- Make sure that the food to be fried is dry.
- Remove loose ice from frozen food before frying.
- To cook evenly, pieces should be the same size and thickness.
- Thicker pieces will take longer to cook.

**Important: When frying frozen food such as French Fries, you should not exceed 1 lb. (454 gr.). For healthy, crisp results, limit quantity to 3/4 Lb. (350 gr.) or less.**

The following cooking times reflect only the approximate time needed to fry one basket 1/2 full. The exact time may be different depending on actual quantity, personal cooking preferences, size and thickness of pieces, etc...

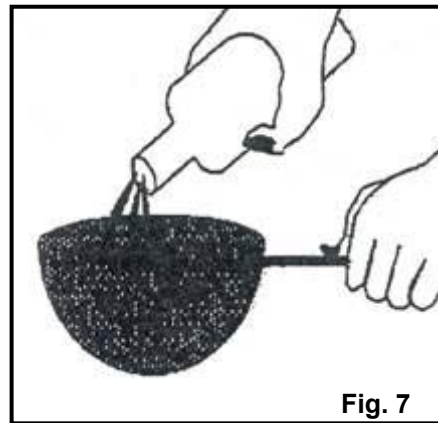
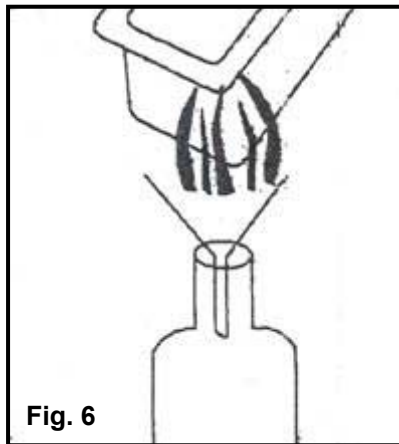
### Temperature Settings

In general, use lower settings for delicate foods (vegetables, fish) and higher settings for frozen foods, French Fries and Chicken.

Food	Cooking Time	Temperature
French Fries	6-9 minutes	374°F
Fish Fillets	3-5 minutes	320°F
Chicken Fingers	6-8 minutes	350°F
Chicken Pieces	13-20 minutes	350°F
Fried Zucchini	3 minutes	320°F
Fried Mushrooms	3 minutes	320°F
Onion Rings	3 minutes	320°F
Donuts	3-5 minutes	350°F
Apple Beignets	4 minutes	350°F
Shrimp	4-6 minutes	374°F

## 7. FILTERING & CHANGING THE OIL

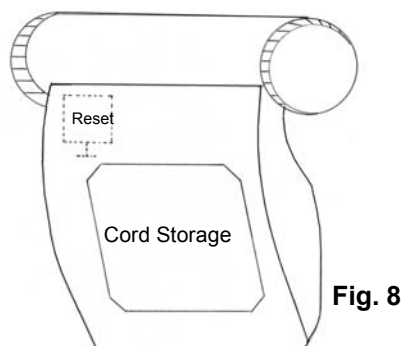
- Make sure the deep fryer is unplugged and the oil has cooled before cleaning or storing the deep fryer.
- The oil does not need to be changed after each use. In general, the oil will be tainted rather quickly when frying food containing a lot of protein (such as poultry, meat or fish). When oil is mainly used to fry potatoes and is filtered after each use, it can be used 8 to 10 times. However, do not use the same oil for longer than 6 months.
- To filter the oil, first make sure the oil has cooled and then empty the oil from the oil container (#3) into another container or bottle. Fig. 6  
Wash and dry the oil container and basket. Refill the oil container with the oil, pouring the oil through a wire strainer or paper filter. Fig. 7



## 8. How To Reset the Deep Fryer

If for some reason the deep fryer stops heating, the reason might be that the safety reset switch has disconnected. To reconnect the the deep fryer, follow the instructions listed below:

- Set the temperature setting dial (#8) to “Min” position.
- Turn the “On/Off” switch (#6) to the “Off” position.
- Let the deep fryer cool for minimum 15 minutes.
- Turn the “On/Off” switch (#6) to the “On” (#6) position.
- Push the reset button (#18) located on the back of the control panel (#5) inside the cord storage (#19) compartment. Fig. 8



## 9. Cleaning Instructions

**Warning:** Always remove the plug from the wall socket before cleaning. Allow the deep fryer and the oil to cool completely (approximately 2 hours) before cleaning. Never immerse the control panel (#5), cord or plug in water or any other liquid.

- Follow the cleaning instructions in section 1 (“Before using for the First Time”).
- Never immerse the control panel (#5), cord or plug in water or any other liquid.
- Do not place the control panel (#5), cord or plug in the dishwasher.
- Clean the control panel (#5) only with a damp cloth.
- The oil container (#3), frying basket (#14), lid cover (#10) and filter (#18) can be washed in the dishwasher.
- The body of the deep fryer (#1) can only be washed in warm soapy water. **Do not** put the body of the deep fryer (#1) in the dishwasher.

## **ONE (1) YEAR LIMITED WARRANTY**

**EURO-PRO** CORPORATION warrants this product to be free from defects in material and workmanship for a period of one (1) year from the date of purchase when utilized for normal household use.

If your appliance fails to operate properly while in use under normal household conditions within the warranty period, return the complete appliance and accessories, freight prepaid to **EURO-PRO** Corporation, 178 West Service Rd., Champlain, N.Y. 12919. If the appliance is found by **EURO-PRO** to be defective in material or workmanship, **EURO-PRO** will repair or replace it free of charge. Proof of purchase date and \$8.50 to cover the cost of return shipping and handling must be included.\*

The liability of **EURO-PRO** Corporation is limited solely to the cost of the repair or replacement of the unit at our option. This warranty does not cover normal wear of parts and does not apply to any unit that has been tampered with or used for commercial purposes. This limited warranty does not cover damage caused by misuse, abuse, negligent handling or damage due to faulty packaging or mishandling in transit.

This warranty is extended to the original purchaser of the unit and excludes all other legal and/or conventional warranties. The responsibility of **EURO-PRO** Corporation if any, is limited to the specific obligations expressly assumed by it under the terms of the limited warranty. **In no event is EURO-PRO Corporation liable for incidental or consequential damages of any nature whatsoever.** Some states do not permit the exclusion or limitation of incidental or consequential damages, so the above may not apply to you.

This warranty gives you specific legal rights, and you may also have other rights which vary from state to state.

**\*Important:** Carefully pack item to avoid damage in shipping. Be sure to include proof of purchase date and to attach tag to item before packing with your name, complete address and phone number with a note giving purchase information, model number and what you believe is the problem with item. We recommend you insure the package (as damage in shipping is not covered by your warranty). Mark the outside of your package "ATTENTION CUSTOMER SERVICE".



### **OWNERSHIP REGISTRATION CARD**

Please fill out and mail the product registration card within ten (10) days of purchase in order to validate the foregoing Limited Warranty. The registration will enable us to contact you in the unlikely event of a product safety notification. By returning this card you acknowledge to have read and understood the instructions for use, and warnings set forth in the accompanying instructions.

**RETURN TO EURO-PRO CORPORATION, 178 WEST SERVICE RD., CHAMPLAIN, N.Y. 12919**  
**IN CANADA: 4400 BOIS FRANC, ST. LAURENT, QUEBEC, H4S 1A7**

---

**Appliance model**

---

**Date purchased** **Name of store**

---

**Owner's name**

---

**Address** **City** **State** **Zip Code**

## Free Manuals Download Website

<http://myh66.com>

<http://usermanuals.us>

<http://www.somanuals.com>

<http://www.4manuals.cc>

<http://www.manual-lib.com>

<http://www.404manual.com>

<http://www.luxmanual.com>

<http://aubethermostatmanual.com>

Golf course search by state

<http://golfingnear.com>

Email search by domain

<http://emailbydomain.com>

Auto manuals search

<http://auto.somanuals.com>

TV manuals search

<http://tv.somanuals.com>