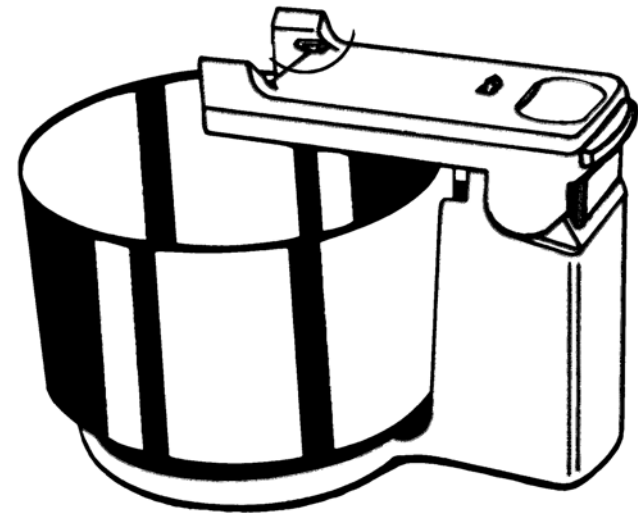


# ***Bravetti***®

## **Stand & Bowl**

Use and Care Instructions

Model EP545XX



For information or technical assistance:

***EURO-PRO Operating LLC***

Boston, MA 02465

Tel.: 1 (800) 798-7398

[www.euro-pro.com](http://www.euro-pro.com)

## IMPORTANT SAFEGUARDS

When using electrical appliances, basic safety precautions should always be followed, including the following:

1. Read all instructions before using the appliance.
2. To protect against risk of electrical shock, do not put cord, plug or mixer in water or other liquid.
3. Close supervision is necessary when appliance is used by or near children.
4. Unplug appliance from outlet when not in use, before putting on or taking off parts, and before cleaning.
5. Avoid contact with moving parts at all times. Keep hands, hair, clothing, as well as spatulas and other utensils away from beaters during operation to prevent personal injury and/or damage to the mixer.
6. Do not operate any appliance with a damaged cord or plug or after the appliance malfunctions, or has been dropped or damaged in any manner. Return appliance to **EURO-PRO Operating LLC** for examination, repair or electric/mechanical adjustment.
7. The use of attachments not recommended or sold by **EURO-PRO Operating LLC** may cause fire, electric shock or injury.
8. Do not use outdoors.
9. Do not let cord hang over edge of table or counter or touch hot surfaces, including the stove.
10. Remove beaters, dough hooks and whisk from mixer before cleaning.
11. **DO NOT USE THIS APPLIANCE ON A STOVE.**
12. Do not use appliance for other than intended use.
13. The mixer is designed for intermittent use. It can be run for up to 10 minutes on Lo range speeds 1 - 3 without interruption. Do not operate for more than 30 seconds on Hi range speed 3. Allow the motor to cool afterwards.
14. To avoid injury by accidentally switching on the appliance when inserting the dough hooks, beaters, chopper and hand blender attachment, always set the switch to position 'OFF' and unplug the appliance before assembling or disassembling.
15. Use only on appropriate AC voltage outlets. (See rating label on bottom of appliance).

## IMPORTANT NOTICE

This appliance has a polarized plug (one blade is wider than the other). To reduce the risk of electric shock, this plug will fit in a polarized outlet only one way. If the plug does not fit fully in the outlet, reverse the plug. If it still does not fit, contact a qualified electrician. Do not modify the plug in any way.

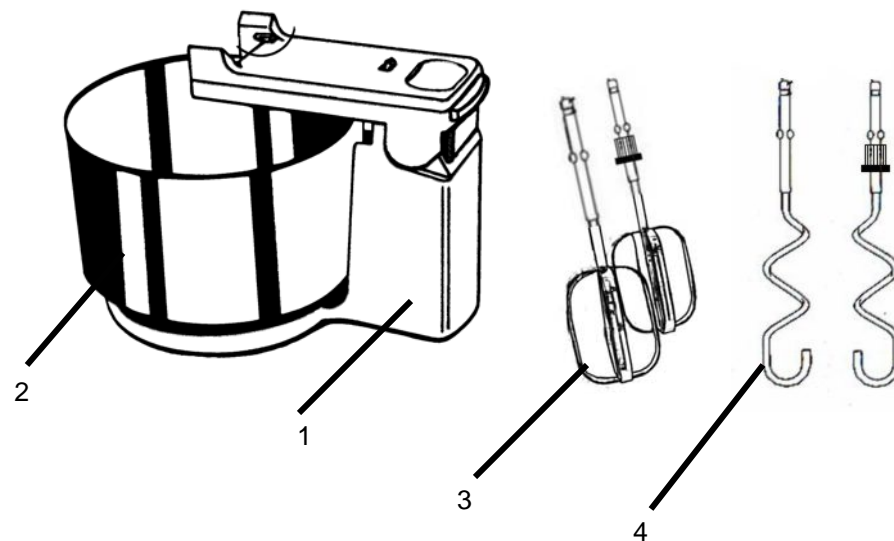
## SAVE THESE INSTRUCTIONS

THIS APPLIANCE IS FOR HOUSEHOLD USE ONLY

Rev. 02/02B

# Bravetti™

## Main Components Model EP545XX



1. Stand with Gear Drive  
2. Plastic Bowl

3. Mixer Beaters (2)  
4. Dough Hooks (2)

**NOTE:** This Stand & Bowl is to be used exclusively with your Bravetti model EP545 300W Power Mixer.

## INSTRUCTIONS FOR USE

When using your **Bravetti** Power Mixer with the Stand & Bowl, use the beaters and dough hooks with the plastic gear on the shaft otherwise the bowl will not rotate.

### TO USE BEATERS OR DOUGH HOOKS

#### A. To insert beaters or dough hooks:

Make sure that the mixer is unplugged from power source and speed selector is set on 'OFF' (0) before inserting or removing beaters or dough hooks. Always insert the attachments with the gear into the larger hole. (See illustration below.)

#### Select the attachment according to the type of mix required.

**Beaters:** For liquid mixes such as creams, egg-whites, cookie doughs, etc.

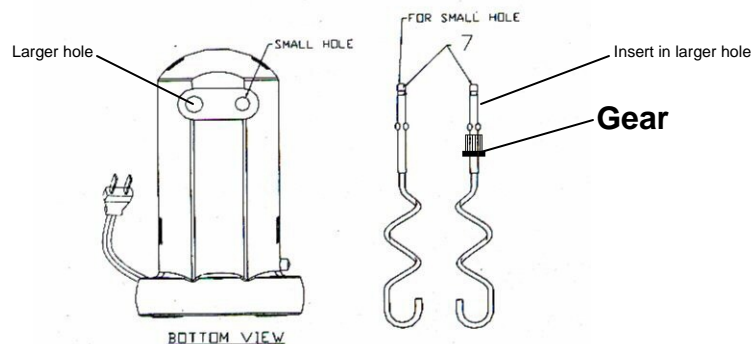
**Insert beaters** one at a time, by placing stem end of beaters into opening on bottom of mixer. Place beater with gear into the larger hole. (See illustration below.) Press beater in gently and rotate slightly until beater clicks into place. Gently tug on beaters to ensure they are secured properly.

**Dough hooks:** For light doughs.

**To insert dough hooks:** Insert dough hooks in the same way as beaters above. Always use both dough hooks. Never try to work with one beater and one dough hook at the same time.

Do not use dough hooks at low speeds as this may cause motor to overheat. When using dough hooks for heavy or thick dough, use only high speeds (Hi 1-3) from the beginning to prevent the motor from overheating (blocking).

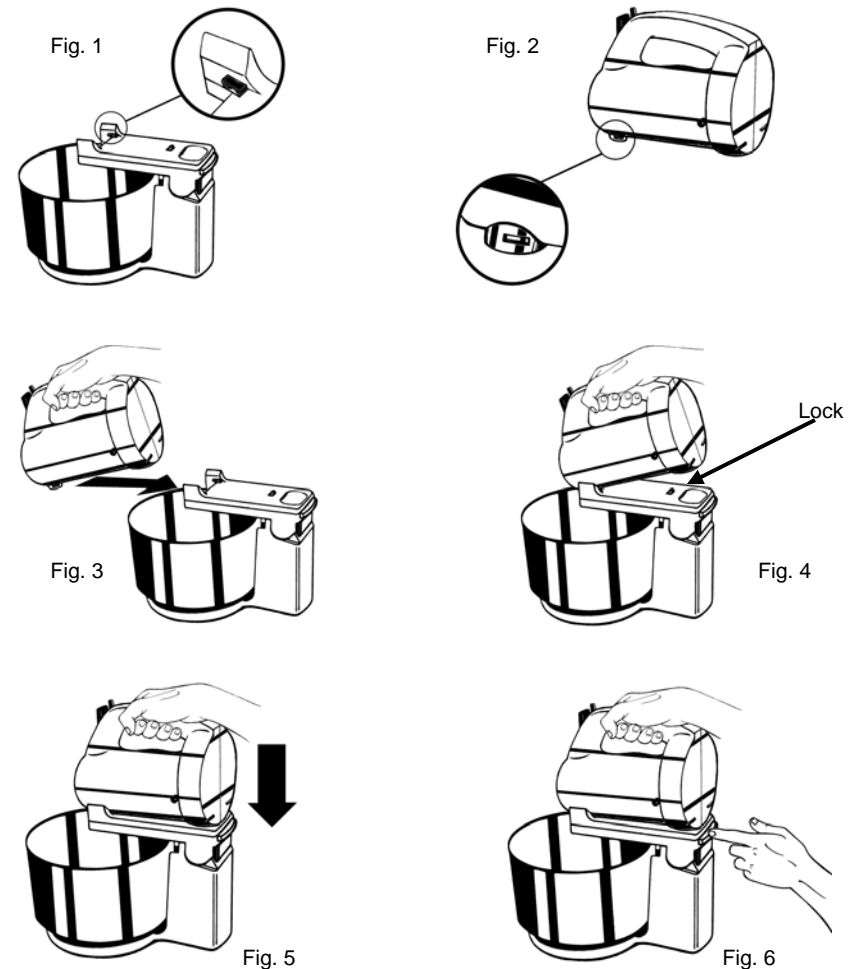
**IMPORTANT:** The beater or dough hook **with the gear** must be inserted into the larger opening.



## HOW TO PLACE THE POWER MIXER ON THE STAND

- The stand for the Power Mixer has two tabs on top of the support arm for the mixer. (Fig. 1)
- On the bottom of the power mixer there are two slots next to the holes for inserting the beaters or dough hooks. (Fig. 2)
- Hold the Power Mixer in your right hand at an angle. Slide it from left to right securing the two tabs on the stand into the two slots of the Power Mixer. (Fig. 3)
- Push the power Mixer down on the stand to engage the lock (Fig. 4) that secures the Power Mixer to the stand. (Fig. 5)

**NOTE:** To lock the Power Mixer onto the stand more easily, push the lock release button as you are lowering the Power Mixer down onto the stand. (Fig. 6)



## HOW TO REMOVE THE POWER MIXER FROM ITS STAND

- To remove the Power Mixer from the stand, push the lock release button and lift the Power Mixer upwards. (Fig. 7)
- In order to lift the Power Mixer while it is on the stand, push the locking flap and pull the Power Mixer upwards. (Fig. 8 & 9)

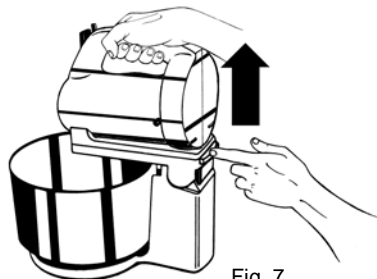


Fig. 7



Fig. 8

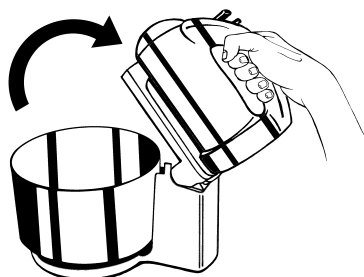


Fig. 9

# Bravetti™

## THREE (3) YEAR LIMITED WARRANTY

**EURO-PRO Operating LLC** warrants this product to be free from defects in material and workmanship for a period of three (3) years from the date of purchase when utilized for normal household use.

If your appliance fails to operate properly while in use under normal household conditions within the warranty period, return the complete appliance and accessories, freight prepaid to **EURO-PRO Operating LLC**. Call customer service at 1 (800) 798-7398. If the appliance is found by **EURO-PRO Operating LLC** to be defective in material or workmanship, **EURO-PRO Operating LLC** will repair or replace it free of charge. Proof of purchase date and \$5.00 to cover the cost of return shipping and handling must be included.\*

The liability of **EURO-PRO Operating LLC** is limited solely to the cost of the repair or replacement of the unit at our option. This warranty does not cover normal wear of parts and does not apply to any unit that has been tampered with or used for commercial purposes. This limited warranty does not cover damage caused by misuse, abuse, negligent handling or damage due to faulty packaging or mishandling in transit.

This warranty is extended to the original purchaser of the unit and excludes all other legal and/or conventional warranties. The responsibility of **EURO-PRO Operating LLC** if any, is limited to the specific obligations expressly assumed by it under the terms of the limited warranty. **In no event is EURO-PRO Operating LLC** liable for incidental or consequential damages of any nature whatsoever. Some states do not permit the exclusion or limitation of incidental or consequential damages, so the above may not apply to you.

This warranty gives you specific legal rights, and you may also have other rights which vary from state to state.

**\*Important: Carefully pack item to avoid damage in shipping. Be sure to include proof of purchase date and to attach tag to item before packing with your name, complete address and phone number with a note giving purchase information, model number and what you believe is the problem with item. We recommend you insure the package (as damage in shipping is not covered by your warranty). Mark the outside of your package "ATTENTION CUSTOMER SERVICE".**

## OWNERSHIP REGISTRATION CARD

Please fill out and mail the product registration card within ten (10) days of purchase in order to validate the foregoing Limited Warranty. The registration will enable us to contact you in the unlikely event of a product safety notification. By returning this card you acknowledge to have read and understood the instructions for use, and warnings set forth in the accompanying instructions.

RETURN TO **EURO-PRO Operating LLC**, Boston, MA 02465

Appliance model

Date purchased

Name of store

Owner's name

Address

City

State

Zip code

## Free Manuals Download Website

<http://myh66.com>

<http://usermanuals.us>

<http://www.somanuals.com>

<http://www.4manuals.cc>

<http://www.manual-lib.com>

<http://www.404manual.com>

<http://www.luxmanual.com>

<http://aubethermostatmanual.com>

Golf course search by state

<http://golfingnear.com>

Email search by domain

<http://emailbydomain.com>

Auto manuals search

<http://auto.somanuals.com>

TV manuals search

<http://tv.somanuals.com>