

Bravetti®

HAND MIXER

OWNER'S MANUAL

**Model EP552HA/EP552HS
120V., 60Hz., 255 Watts**



EURO-PRO Operating LLC

U.S.: 94 Main Mill Street, Door 16
Plattsburgh, NY 12901

Canada: 4400 Bois-Franc
St-Laurent, QC H4S 1A7

Tel. : 1 (800) 798-7398

EURO-PRO X

IMPORTANT SAFETY INSTRUCTIONS

When using electrical appliances, basic safety precautions should always be followed, including the following:

1. Read all instructions for use carefully and look at the illustrations before you start using the appliance.
2. To protect against risk of electrical shock, **do not** immerse power cord, plug or mixer in water or any other liquid.
3. Close supervision is necessary when any appliance is used by or near children.
5. **Unplug** from outlet when not in use, before putting on or taking off accessories and before cleaning the appliance.
6. **Do not** operate any appliance with a damaged cord or plug, or after the appliance malfunctions, has been dropped or damaged in any manner. Return the appliance to **EURO-PRO Operating LLC** for examination, repair or adjustment. See warranty.
7. Avoid contact with moving parts at all times. Keep hands, hair, clothing, as well as spatulas and other utensils away from beaters during operation to prevent personal injury and/or damage to the mixer.
8. The use of accessory attachments not recommended by the appliance manufacturer may cause injuries.
9. Remove beaters and dough hooks from mixer before cleaning.
10. Make sure that the power cord is positioned safely so that nobody trips or gets tangled in it.
11. **Do not** leave appliance unattended while in use.
12. **Do not** use outdoors.
13. **Do not** let cord hang over the edge of the table, counter or touch hot surfaces.
14. **Do not** place on or near a hot gas or electric burner, or in a heated oven.
15. **Do not** use appliance for other than intended household use.
17. The mixer is designed for intermittent use, it can be run for up to 10 minutes on settings 1-3 without interruption. Do not use for more than 30 seconds on the Hi range settings, allow the motor to cool afterwards.
18. To avoid injury by accidentally switching on the appliance when inserting the beaters or dough hooks, attachments, always set the switch to the "Off" position and unplug the appliance before assembling or disassembling.

Note: An extension cord may be used if you are careful in its use:

1. The electrical rating of the extension cord should be at least as great as the electrical rating of the appliance.
2. An extension cord with the power cord must be arranged so that it will not drape over the countertop or tabletop where they can be pulled on by children or tripped over accidentally.



This appliance has a polarized plug (one blade is wider than the other). To reduce the risk of electric shock, this plug is intended to fit into a polarized outlet only one way. If the plug does not fit fully into the outlet, reverse the plug. If it still does not fit, contact a qualified electrician. Do not attempt to modify the plug in any way.

SAVE THESE INSTRUCTIONS FOR HOUSEHOLD USE ONLY

Models
EP552HA
EP552HS

EURO-PRO

ONE (1) YEAR LIMITED WARRANTY

EURO-PRO OPERATING LLC warrants this product to be free from defects in material and workmanship for a period of one (1) year from the date of purchase when utilized for normal household use.

If your appliance fails to operate properly while in use under normal household conditions within the warranty period, return the complete appliance and accessories, freight prepaid to:

EURO-PRO Operating LLC, 94 Main Mill Street, Door 16, Plattsburgh, N.Y. 12901

If the appliance is found to be defective in material or workmanship, **EURO-PRO Operating LLC** will repair or replace it free of charge. Proof of purchase must be included.*

The liability of **EURO-PRO Operating LLC** is limited solely to the cost of the repair or replacement of the unit at our option. This warranty does not cover normal wear of parts and does not apply to any unit that has been tampered with or used for commercial purposes. This limited warranty does not cover damage caused by misuse, abuse, negligent handling or damage due to faulty packaging or mishandling in transit. This warranty is extended to the original purchaser of the unit and excludes all other legal and/or conventional warranties. The responsibility of **EURO-PRO Operating LLC** if any, is limited to the specific obligations expressly assumed by it under the terms of the limited warranty. **In no event** is **EURO-PRO Operating LLC** liable for incidental or consequential damages of any nature whatsoever. Some states do not permit the exclusion or limitation of incidental or consequential damages, so the above may not apply to you.

This warranty gives you specific legal rights, and you may also have other rights which vary from state to state.

***Important: Carefully pack item to avoid damage in shipping. Be sure to include proof of purchase date and to attach tag to item before packing with your name, complete address and phone number with a note giving purchase information, model number and what you believe is the problem with item. We recommend you insure the package (as damage in shipping is not covered by your warranty). Mark the outside of your package "ATTENTION CUSTOMER SERVICE". We are constantly striving to improve our products, therefore the specifications contained herein are subject to change without notice.**



OWNERSHIP REGISTRATION CARD

Please fill out and mail the product registration card within ten (10) days of purchase. The registration will enable us to contact you in the unlikely event of a product safety notification. By returning this card you acknowledge to have read and understood the instructions for use, and warnings set forth in the accompanying instructions.

RETURN TO **EURO-PRO OPERATING LLC**, 94 Main Mill Street, Door 16, Plattsburgh, N.Y. 12901

EP552HA/EP552HS

Appliance model

Date purchased

Name of store

Owner's name

Address

City

State

Zip Code

Printed in China

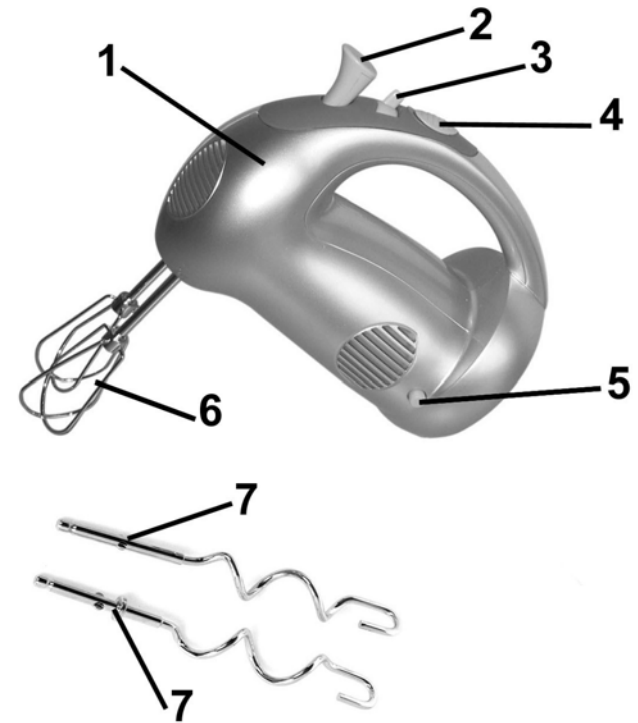
CLEANING & STORAGE

- Ensure that the mixer is unplugged and switched off before removing and cleaning the accessories.
 - Wash the beaters and dough hooks in warm, soapy water or dishwasher.
 - Wipe the outside area of the hand mixer with a damp cloth and polish with a soft, dry cloth. **NEVER** immerse the hand mixer, plug or power cord into water or any other liquid.
 - Wipe any excess food particles from the power cord.
 - To make cleaning easier, remove beaters and dough hooks and wash right away after use. Do **NOT** use scouring pads, harsh detergents or abrasive cleaners to clean the beaters or dough hooks. Dry with a soft, clean cloth.
 - Push the cord rewind button while holding the plug for the cord to rewind.
- Caution:** Do not pull with force on the power cord or you will damage the rewinding feature and void the warranty. When rewinding, always hold the plug to avoid cord whipping.

IMPORTANT INSTRUCTIONS

ALWAYS	NEVER
ALWAYS make sure that your hands are dry before handling the plug or switching on the appliance.	NEVER place your hand in the bowl while it is in operation.
ALWAYS use the mixer on a dry, level surface.	NEVER use this appliance outdoors.
ALWAYS unplug unit from the electrical outlet when not in use or when removing accessories and before cleaning.	NEVER use this appliance for other than for intended use. This appliance is for household use only.
ALWAYS remove the beaters or dough hooks from the mixer before washing.	NEVER mix dry, thick or heavy mixture for more than 30 seconds without turning off the hand mixer and stirring the ingredients before continuing.
ALWAYS avoid contact with moving parts while unit is in operation. Keep hands, hair, clothing as well as other utensils away from beaters and dough hooks during operation.	NEVER use harsh, abrasive or caustic cleansers to clean this appliance.
	NEVER allow children to use this appliance unsupervised.
	NEVER leave this appliance unattended while in use.
	NEVER let the power cord to hang over the edge of a table or counter, touch hot surface or become knotted.
	NEVER eject attachments with the unit operating.

GETTING TO KNOW YOUR HAND MIXER



- | | |
|---------------------------|----------------------------|
| 1. Main Unit | 5. Cord Rewind Button |
| 2. Accessory Eject Button | 6. Beaters (2) |
| 3. Speed Selector | 7. Dough Hooks (2) |
| 4. Hi/Lo Range Selector | 8. Storage Bag (not shown) |

Illustrations may differ from actual product.

Technical Specifications

Voltage: 120V., 60Hz.
Power: 255 Watts

Read all the sections of this booklet and follow all the instructions carefully.

OPERATING INSTRUCTIONS

Before using your **Bravetti Hand Mixer** for the first time, wash the beaters and dough hooks in warm, sudsy water. Rinse and dry thoroughly.

Warning: To avoid injury when inserting or removing beaters or dough hooks always set the speed selector on "0" and unplug the appliance.

Warning: The unit is designed for intermittent use. The maximum operating time on settings "1-3" in the "Lo" range is 10 minutes non-stop with beaters or dough hooks. The maximum operating time on settings "1-3" in the "Hi" range is 30 seconds non-stop with beaters or dough hooks.

Beaters, Dough Hooks:

Select the attachment according to the type of mixing required. Make sure that the mixer is unplugged from power source and speed selector is set on "0" before inserting or removing beaters or dough hooks.

Beaters:

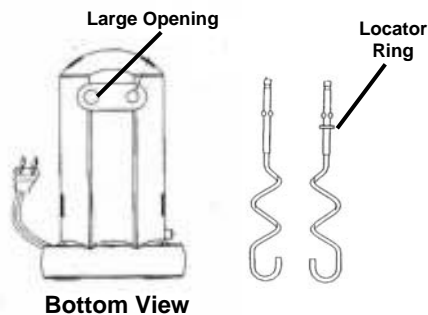
Use for liquid mixes such as creams, egg-whites, confectionery doughs, etc. Insert stem end of beaters (one at a time) into the openings in the mixer. Insert the beater with the locator ring in the larger of the two holes. The ring on the beater must sit below the surface of the mixer housing. To ease the inserting of the beaters, a slight twisting motion will aid in engaging the beater drive tabs. Install the second beater in the same manner as above.



Dough Hooks:

Use for light doughs. Insert dough hooks in the same way as beaters. See installing instructions for beaters in previous section. Always use both dough hooks. Never try to work with one beater and one dough hook at the same time.

Do not use dough hooks at low speeds as this may cause motor to overheat. When using dough hooks for heavy or thick dough, use only high speed (3) from the beginning to prevent the motor from overheating (blocking).



Warning: Never operate the appliance without all the parts in place. Make sure that **all** parts are properly assembled before turning on the unit.

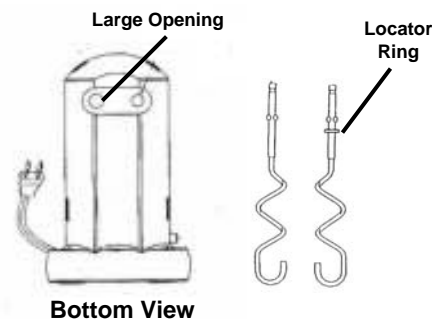
OPERATING INSTRUCTIONS

To Operate the Hand Mixer

- Gently pull the power cord from the main unit.

Caution: Do not pull with force on the power cord or you will damage the rewinding feature and void the warranty. When rewinding, always hold the plug to avoid cord whipping.

- Before plugging in the unit, fit the desired attachment required for the mixing operation to be carried out.
- Insert the beaters or the dough hooks one at a time by pressing them gently upwards until they are fully fitted and you hear a click. Make sure that the attachment with the locator ring is inserted into the larger hole opening. (See illustration below.)



- When you have inserted the desired attachment, insert the plug into the electrical outlet.
- Pick up the mixer and use your thumb to set the speed selector and the Hi/Lo range selector to the setting that you desire.

Warning: The unit is designed for intermittent use. The maximum operating time on settings "1-3" in the "Lo" range is 10 minutes non-stop with beaters or dough hooks. The maximum operating time on settings "1-3" in the "Hi" range is 30 seconds non-stop with beaters or dough hooks.

- We suggest that you begin at the highest speed to prevent the motor from blocking.
- Ensure that the beaters are completely free to move in your mixture.
- Return to "0" setting when you have finished using the mixer or you wish to stop.
- To remove the attachments from the mixer, press the accessory eject button. This button only works when the mixer is in the "0" speed setting.
- To rewind the power cord, push the cord rewind button.

Caution: When rewinding, always hold the plug to avoid cord whipping.

SPEED SETTINGS

SPEED SELECTOR	HI/LO RANGE SETTINGS	
	"LO"	"HI"
"0"	Off	Off
"1"	Lowest	High-Middle
"2"	Low	High
"3"	Low-Middle	Highest

Free Manuals Download Website

<http://myh66.com>

<http://usermanuals.us>

<http://www.somanuals.com>

<http://www.4manuals.cc>

<http://www.manual-lib.com>

<http://www.404manual.com>

<http://www.luxmanual.com>

<http://aubethermostatmanual.com>

Golf course search by state

<http://golfingnear.com>

Email search by domain

<http://emailbydomain.com>

Auto manuals search

<http://auto.somanuals.com>

TV manuals search

<http://tv.somanuals.com>