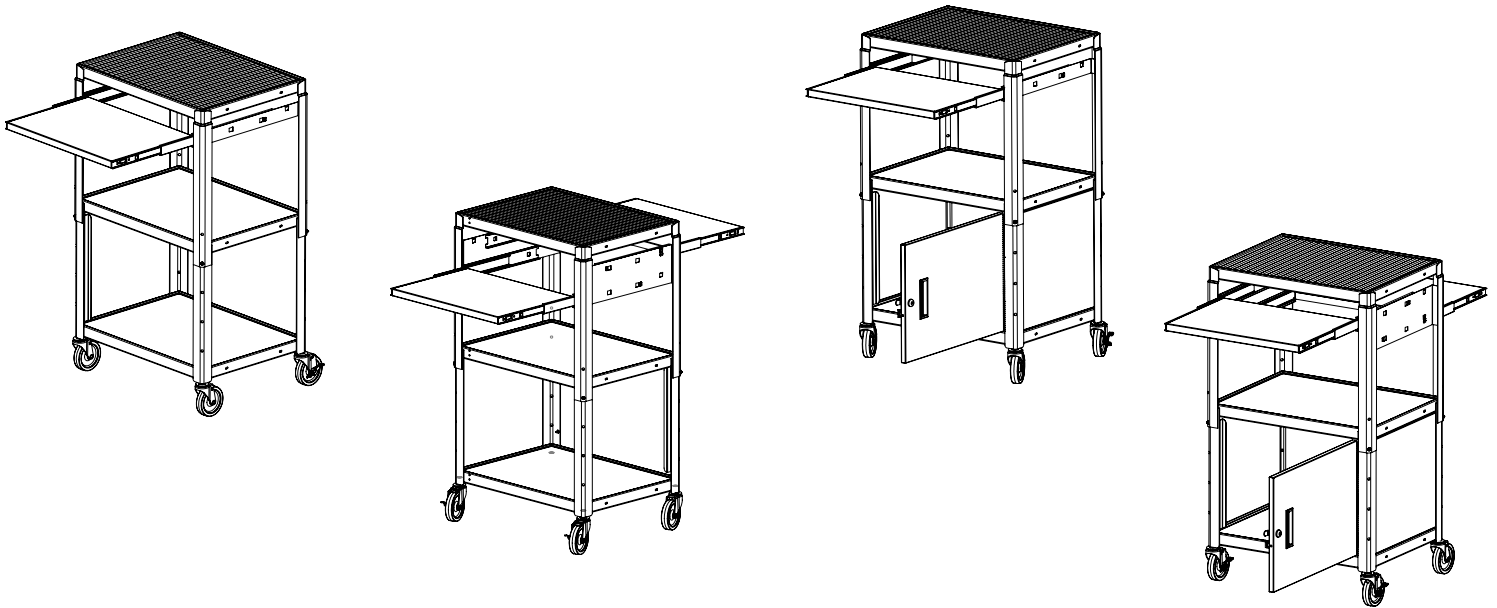




A2642NS CA2642NS  
A2642DNS CA2642DNS

ADJUSTABLE CART WITH OR WITHOUT CABINET  
SINGLE OR DOUBLE PULL OUT SHELVES

Assembly Instructions



**Parts List**

Qty	Part #	Description
1	022-2813	Top Section for Single Shelf Models
	022-3087	Top Section for Double Shelf Models
1	022-1099	Bottom Section for Open Shelf Models
	022-1252	Bottom Section for Cabinet Models
1	010-5773	Notebook Pull Out Shelf (2 for Double Shelf Models)
1	030-1468	Left Outer Slide (2 for Double Shelf Models)
1	030-1470	Right Outer Slide (2 for Double Shelf Models)
2	030-1471	Inner Slides (4 for Double Shelf Models)
1	RM1824	18" x 24" Rubber Mat

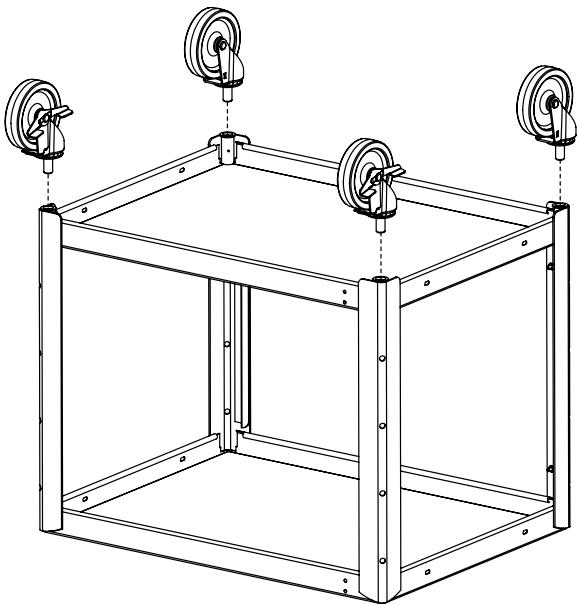
**Casters -**

4" Models = (2) 015-0002 w/o Brake & (2) 015-0003 w/Brake

5" Models = (2) 015-0017 w/o Brake & (2) 015-0018 w/Brake

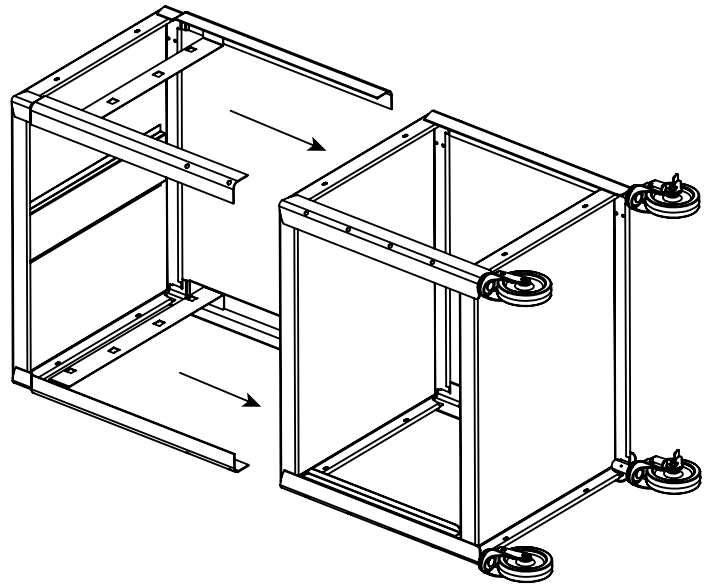
**Hardware List**

Ref	Qty	Part #	Description
AA	4	030-0253	1/4-20 x 3/4" Combo Screws
BB	4	030-0120	1/4-20 Square Nuts
	1	030-0368	M111 Replacement Key Set (included with Cabinet Cart Models Only)



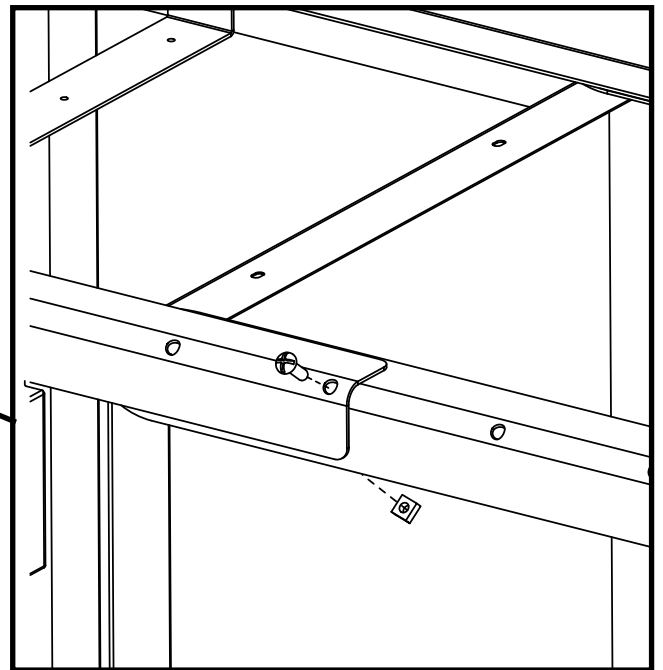
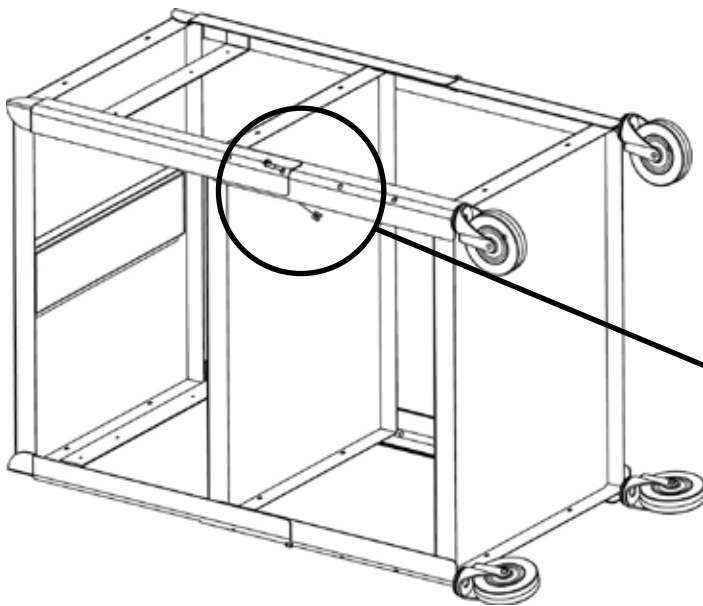
### STEP 1

Turn bottom section over and push each caster into each of the corner sockets. If casters do not insert easily a rubber mallet may be used to tap the casters in place. **MAKE SURE CASTERS ARE SECURELY IN PLACE.**



### STEP 2

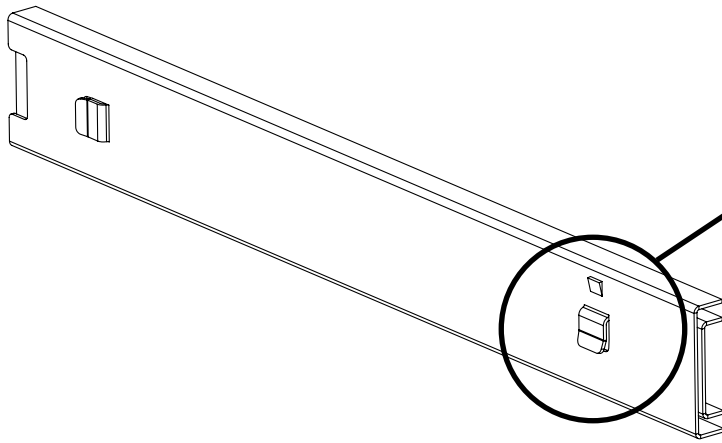
Lay both top and bottom sections on their sides. Slide the top section over the bottom section as shown.



### STEP 3

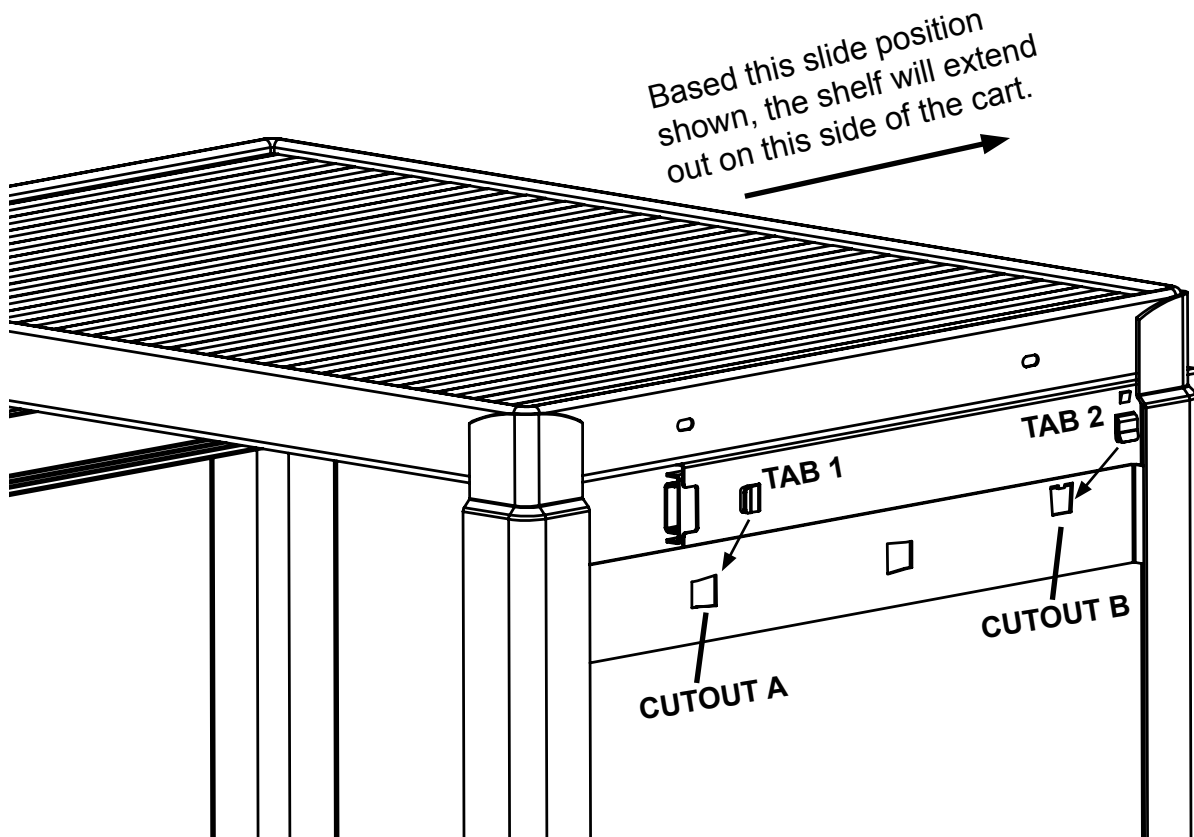
Attach legs together using screws (AA) and nuts (BB) as shown.

**NOTE:** Carts have height adjustments at 4" increments. The single shelf models range from 26" to 42" and the double shelf models range from 34" to 42".



This tab determines where the shelf will slide out from.

Each cart bracket has additional cutouts to allow the shelf to pull out from either side of the cart.



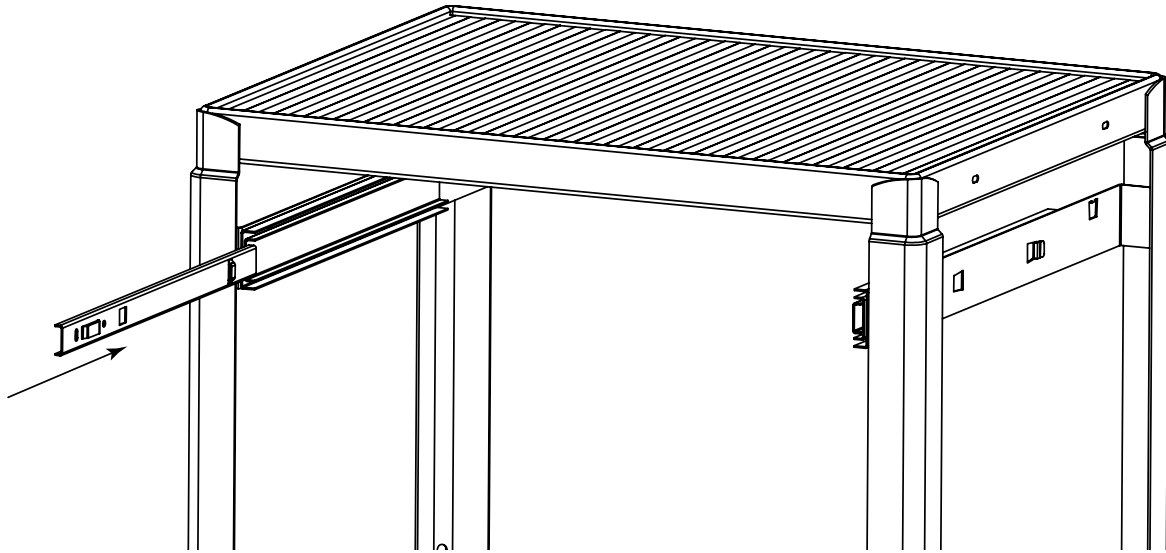
Based this slide position shown, the shelf will extend out on this side of the cart.

#### STEP 4

Install the outer slide onto the cart bracket by sliding TAB 1 into CUTOUT A and TAB 2 into CUTOUT B.

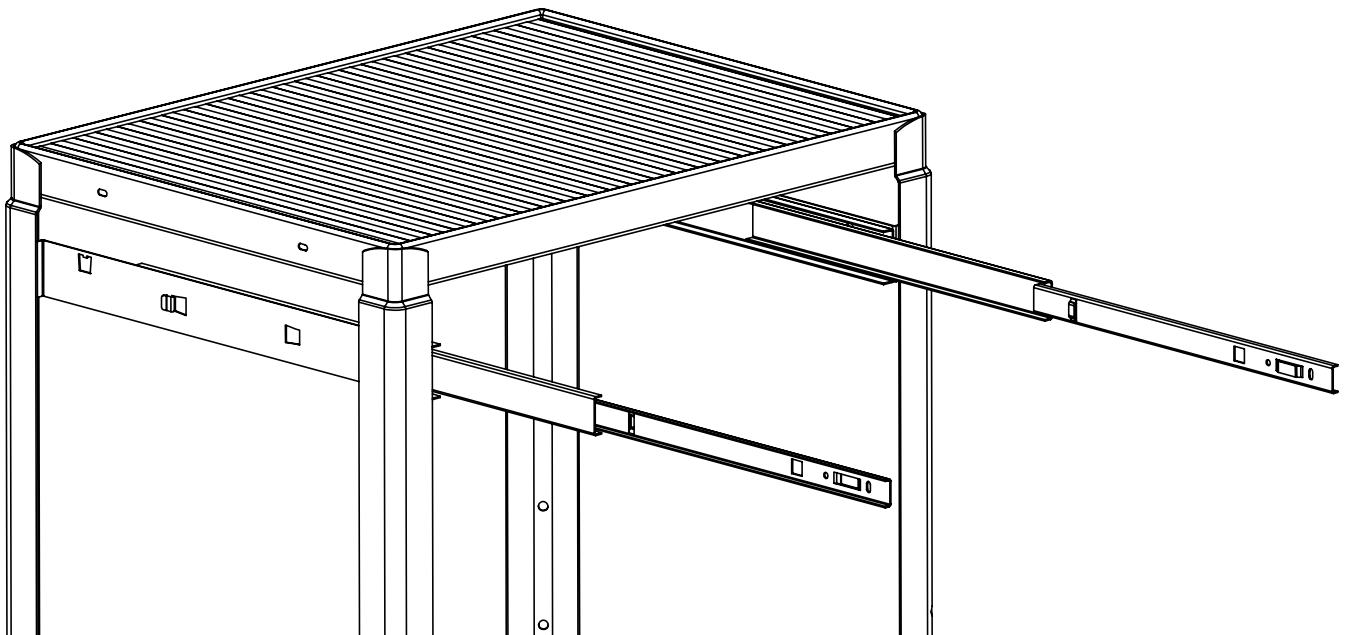
**NOTE:** Some bend in the bracket is ok as the slides and shelf will take care of that once they are installed.

**IMPORTANT NOTE: Double shelf “DNS” models should have pull out shelves installed to pull out opposite from one another.**



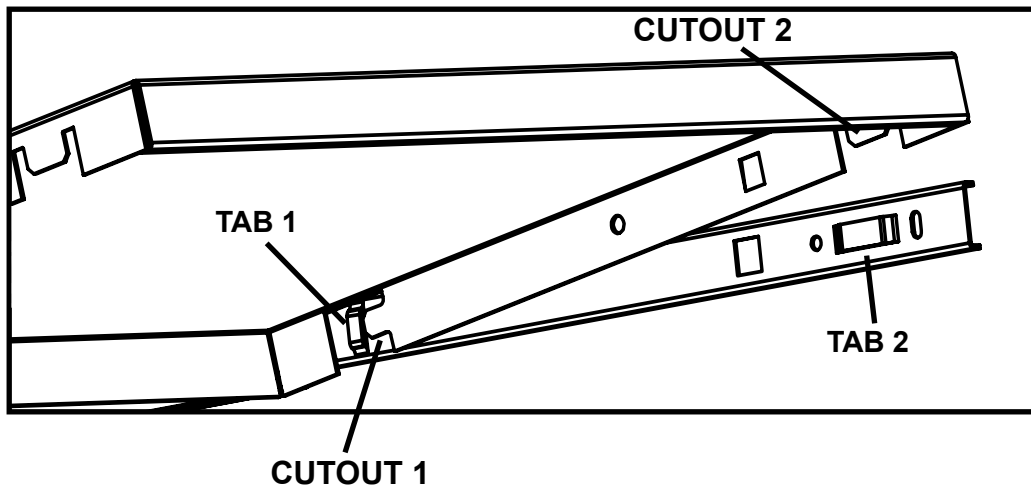
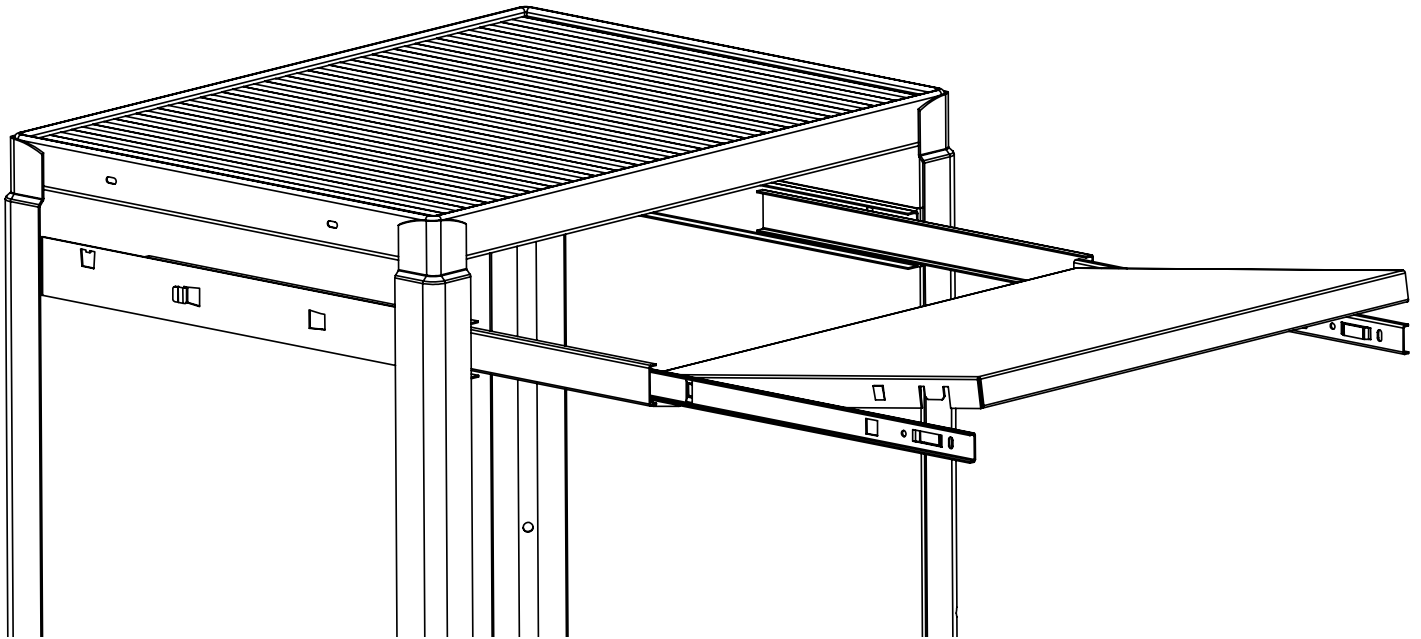
### STEP 5

Install each inner slide into the outer slides. **NOTE:**  
**Push inner slide in all the way until it snaps in.**



### STEP 6

Extend the slides to the positioning shown.



### STEP 7

Install the pull out shelf by sliding **CUTOUT 1** into **TAB 1** and **CUTOUT 2** into **TAB 2**.

Bretford  
11000 Seymour Avenue  
Franklin Park, IL 60131  
TEL: 847.678.2545  
800.521.9614  
FAX: 847.678.0852  
800.343.1779

Bretford Ltd.  
2 Etongate  
110 Windsor Road, Slough  
Berkshire SL1 2JA England  
TEL: 011 44 17 5353 9955  
FAX: 011 44 17 5353 9478

[www.bretford.com](http://www.bretford.com)

Part # 031-7755  
Rev. 01.20.11 CZ 5

## Free Manuals Download Website

<http://myh66.com>

<http://usermanuals.us>

<http://www.somanuals.com>

<http://www.4manuals.cc>

<http://www.manual-lib.com>

<http://www.404manual.com>

<http://www.luxmanual.com>

<http://aubethermostatmanual.com>

Golf course search by state

<http://golfingnear.com>

Email search by domain

<http://emailbydomain.com>

Auto manuals search

<http://auto.somanuals.com>

TV manuals search

<http://tv.somanuals.com>