



Illustrated Parts List

100600

Direct Overhead Valve

TYPE NUMBERS

0015, 0025, 0100, 0110, 0111, 0112,
0115, 0116, 0118, 0119, 0120, 0121,
0122, 0123, 0124, 0126, 0771.

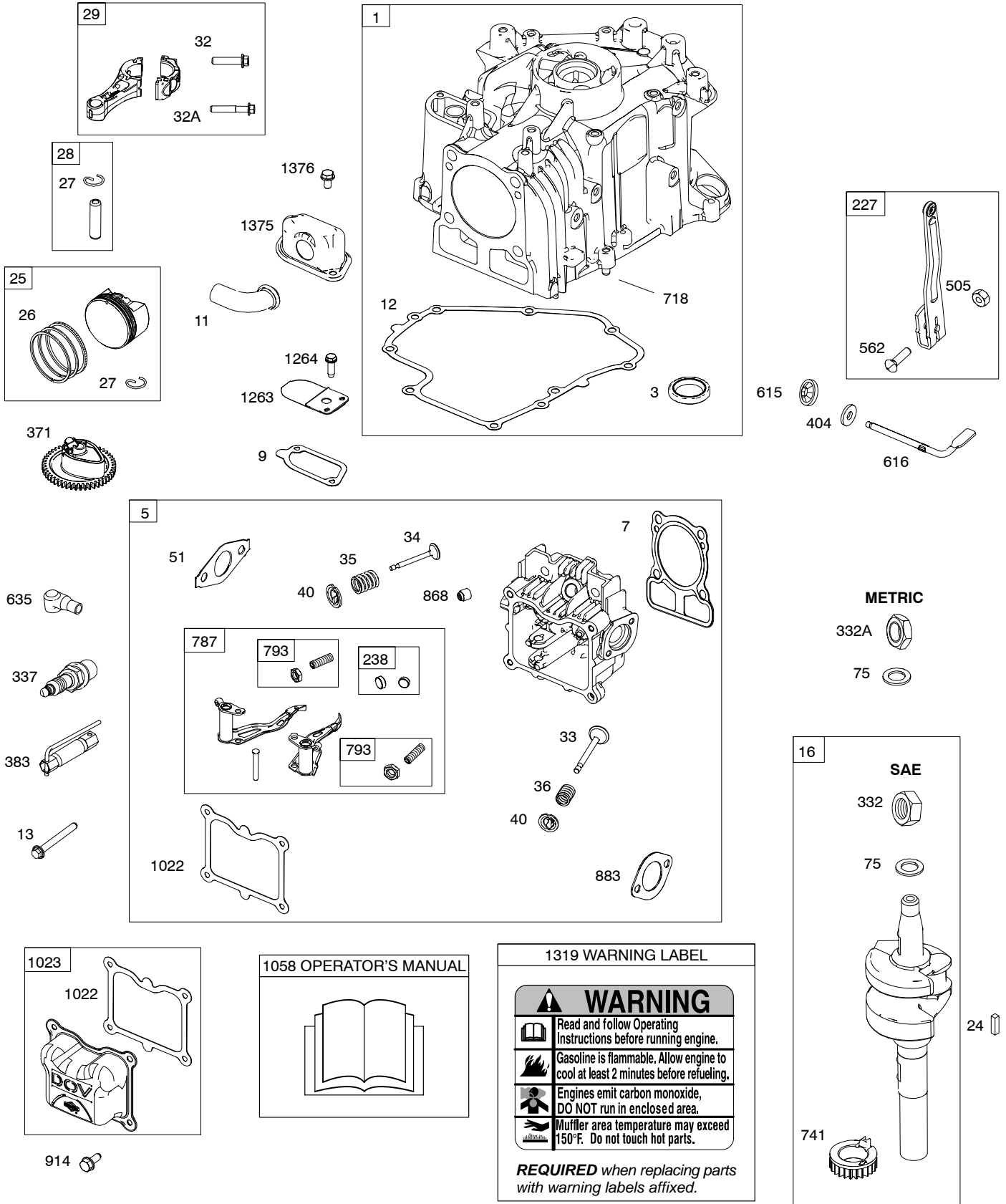
TABLE OF CONTENTS

| | |
|--|---|
| Air Cleaner | 4 |
| Blower Housing | 5 |
| Brake | 5 |
| Cam Gear | 2 |
| Carburetor | 3 |
| Carburetor Overhaul Kit | 7 |
| Controls | 3 |
| Crankcase Cover/Sump | 3 |
| Crankshaft | 2 |
| Cylinder | 2 |
| Cylinder Head | 2 |
| Electric Starter | 6 |
| Engine/Valve Gasket Sets | 7 |
| Exhaust | 5 |
| Flywheel | 5 |
| Fuel Supply | 4 |
| Governor Spring | 3 |
| Ignition | 4 |
| Lubrication | 2 |
| Piston/Rings/Connecting Rod | 2 |
| Rewind Starter | 5 |

PRINTED IN U.S.A.



COPYRIGHT by BRIGGS & STRATTON CORPORATION
All rights reserved. No part of this material may be reproduced or transmitted,
in any form or by any means, electronic or mechanical, including photocopying,
recording or by any information storage and retrieval system, without permission
in writing from Briggs & Stratton Corporation.



METRIC

- 332A
- 75

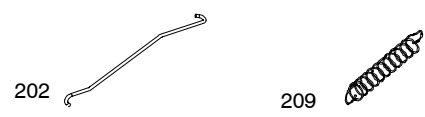
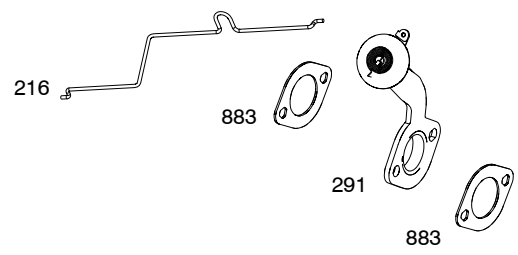
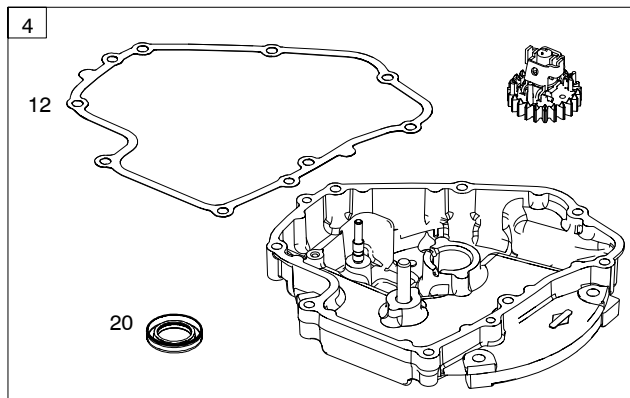
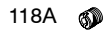
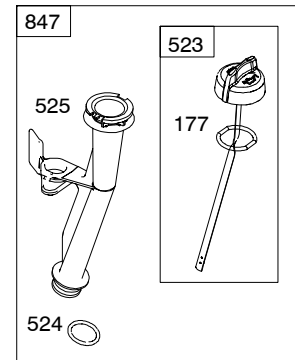
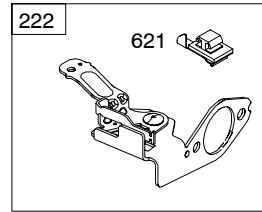
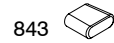
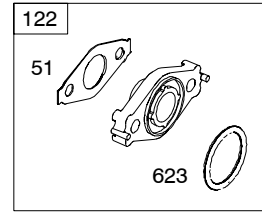
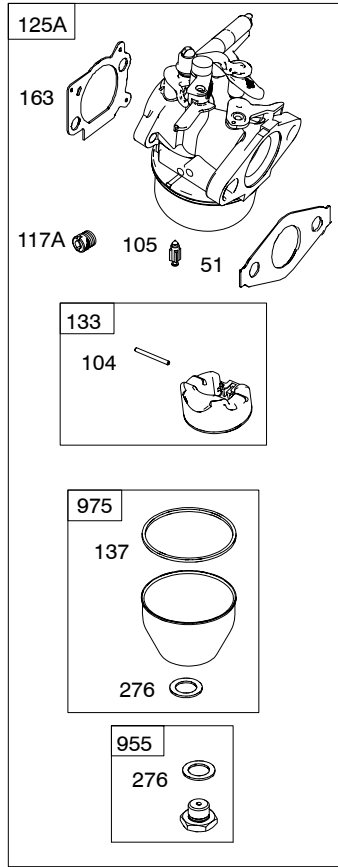
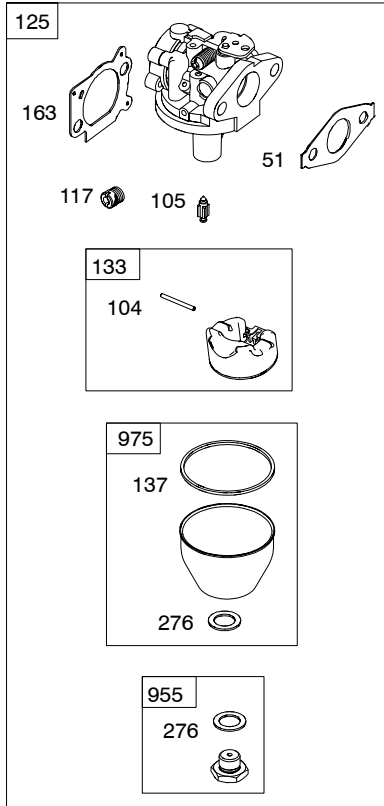
SAE

- 332
- 75

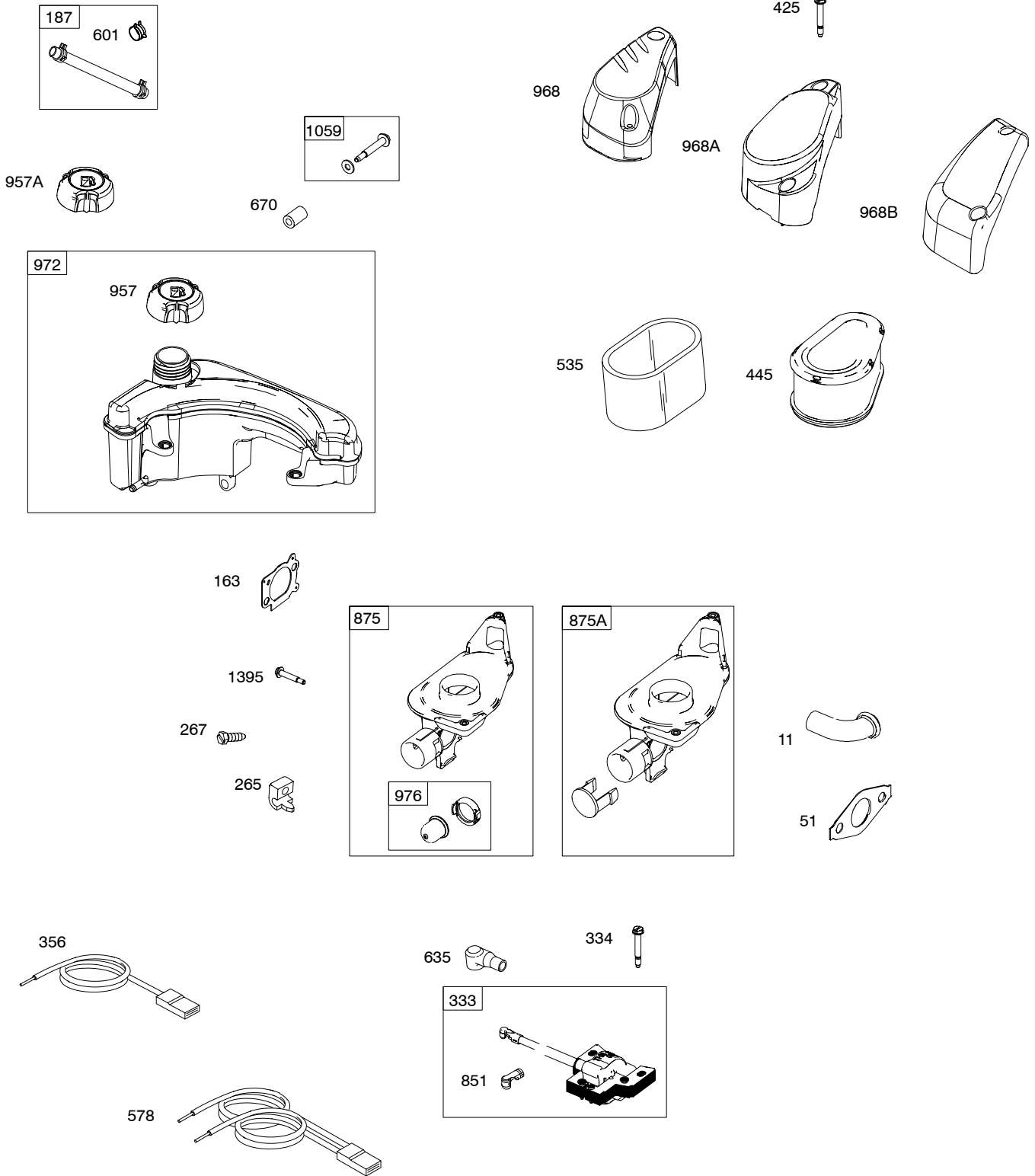
1319 WARNING LABEL

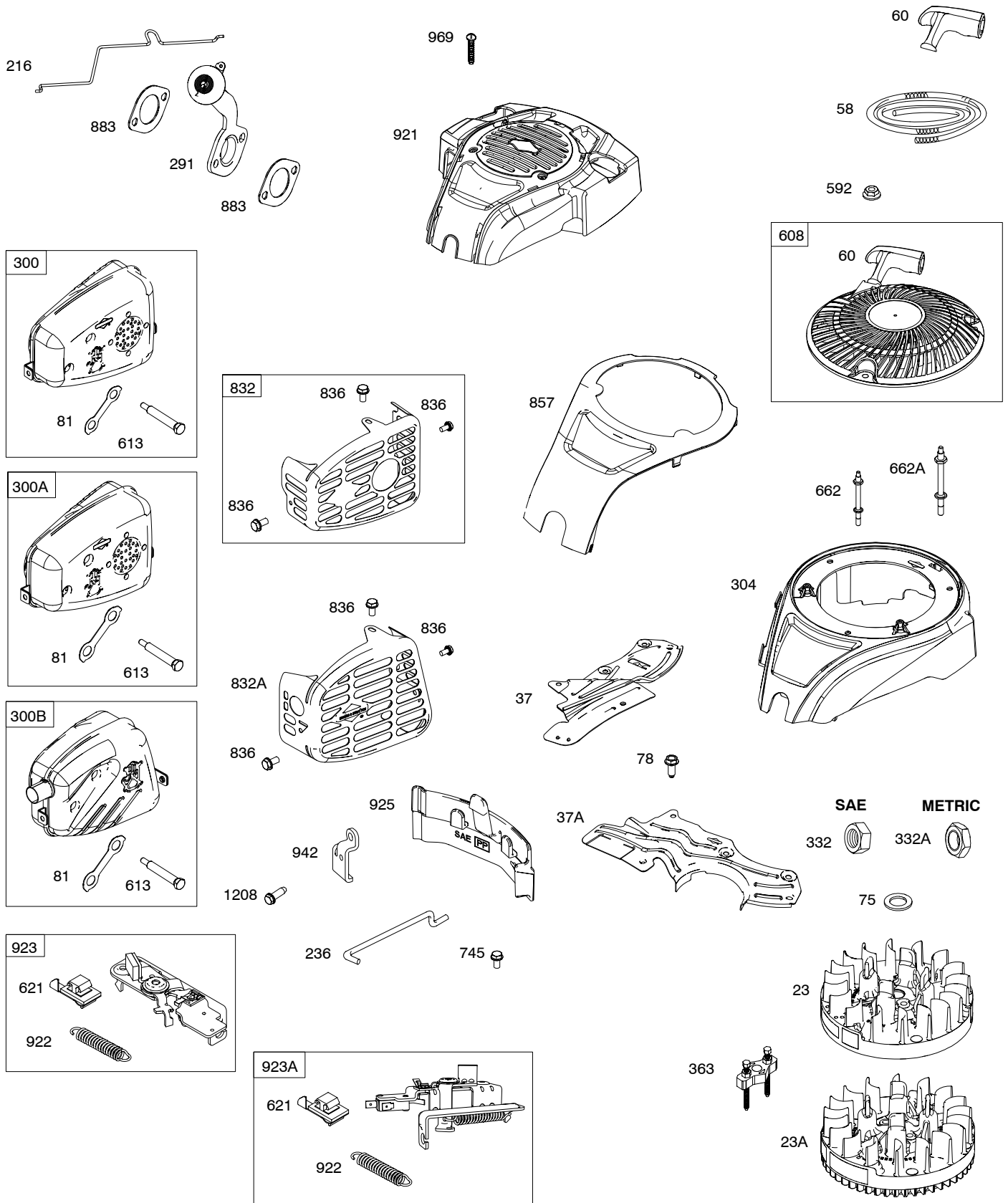
| | |
|--|--|
| | WARNING |
| | Read and follow Operating Instructions before running engine. |
| | Gasoline is flammable. Allow engine to cool at least 2 minutes before refueling. |
| | Engines emit carbon monoxide, DO NOT run in enclosed area. |
| | Muffler area temperature may exceed 150°F. Do not touch hot parts. |

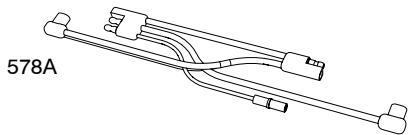
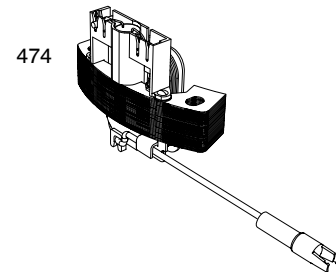
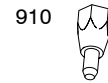
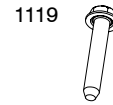
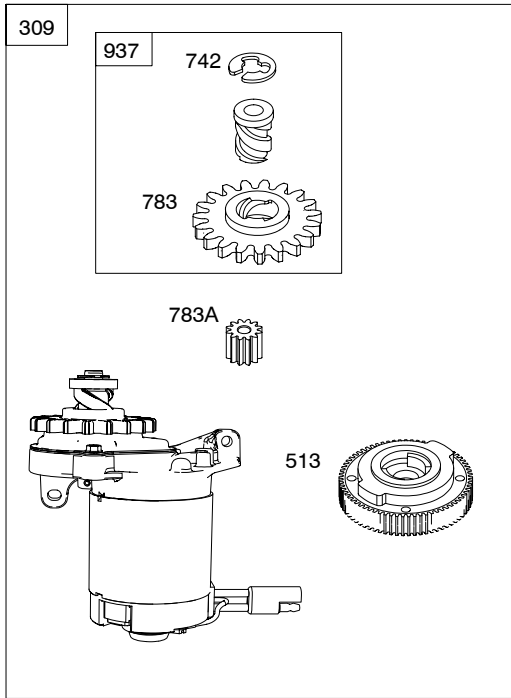
REQUIRED when replacing parts with warning labels affixed.



100600

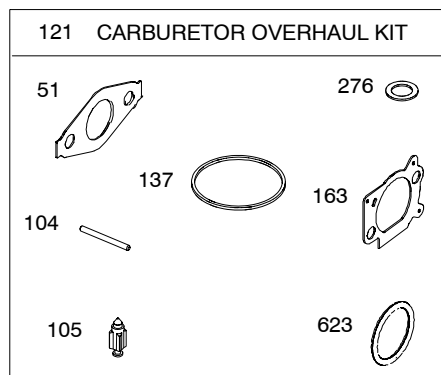
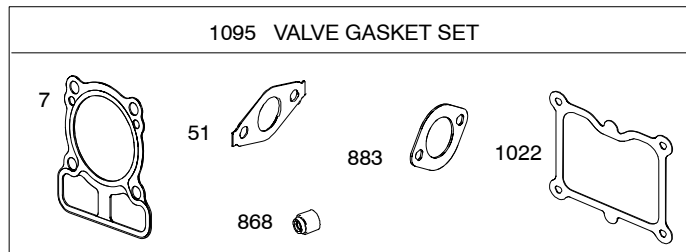
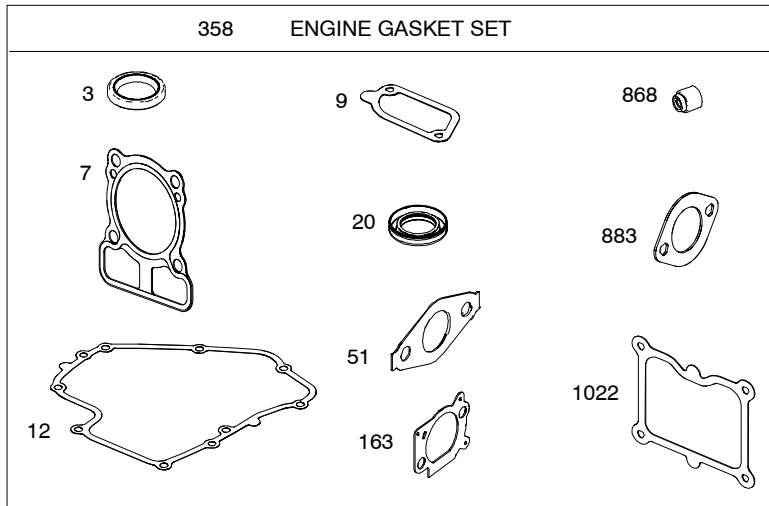






1036 EMISSIONS LABEL

1058 OPERATOR'S MANUAL



100600

| REF. NO. | PART NO. | DESCRIPTION | REF. NO. | PART NO. | DESCRIPTION | REF. NO. | PART NO. | DESCRIPTION |
|----------|----------|--|----------|----------|--|----------|----------|---|
| 1 | 793508 | Cylinder Assembly | 25 | 793519 | Piston Assembly (Standard) | 104 | 698536 | Pin-Float Hinge |
| 3 | 299819S | Seal-Oil (Magneto Side) | | | ----- Note ----- | | | Used on Type No(s). 0015, 0025, 0100, 0110, 0111, 0112, 0115, 0116, 0118, 0119, 0120, 0121, 0122, 0123, 0124, 0126, 0771. |
| 4 | 793509 | Sump-Engine | | | 793518 Piston Assembly (.020" Oversize) | | | |
| 5 | 793502 | Head-Cylinder | 26 | 793435 | Ring Set (Standard) | | | |
| 7 | 793455 | Gasket-Cylinder Head | | | ----- Note ----- | 105 | 698537 | Valve-Float Needle |
| 9 | 793439 | Gasket-Breather | | | 793517 Ring Set (.020" Oversize) | | | Used on Type No(s). 0015, 0025, 0100, 0110, 0111, 0112, 0115, 0116, 0118, 0119, 0120, 0121, 0122, 0123, 0124, 0126, 0771. |
| 11 | 793447 | Tube-Breather | 27 | 691588 | Lock-Piston Pin | | | |
| 12 | 793445 | Gasket-Crankcase (.015" Thick) (Standard) | 28 | 298909 | Pin-Piston (Standard) | | | |
| 13 | 793451 | Screw (Cylinder Head) (M8x71.0mm Long) | 29 | 793510 | Rod-Connecting | | | |
| 15 | 691680 | Plug-Oil Drain | 32 | 691664 | Screw (Connecting Rod) (1 3/32" Long) | | | |
| 16 | 793426 | Crankshaft Used on Type No(s). 0025, 0100, 0121, 0122, 0771. | 32A | 695759 | Screw (Connecting Rod) (1 1/2" Long) | 117 | 793466 | Jet-Main (Standard) |
| | | ----- Note ----- | | | | | | Used on Type No(s). 0100. |
| | | 793615 Crankshaft Used on Type No(s). 0015, 0115, 0118, 0123. | 33 | 793505 | Valve-Exhaust | 117A | 793694 | Jet-Main (Standard) |
| | | 793429 Crankshaft Used on Type No(s). 0110, 0111, 0124, 0126. | 34 | 793504 | Valve-Intake | | | Used on Type No(s). 0015, 0025, 0110, 0111, 0112, 0115, 0116, 0118, 0119, 0120, 0121, 0122, 0123, 0124, 0126, 0771. |
| | | 793616 Crankshaft Used on Type No(s). 0112, 0116, 0119, 0120. | 35 | 793506 | Spring-Valve (Intake) | | | |
| 20 | 399781S | Seal-Oil (PTO Side) | 36 | 793506 | Spring-Valve (Exhaust) | 118 | 793467 | Jet-Main (High Altitude) |
| 22 | 793450 | Screw (Crankcase Cover/Sump) (40.5mm) | 37 | 793473 | Guard-Flywheel Used on Type No(s). 0015, 0025, 0100, 0110, 0111, 0112, 0115, 0118, 0119, 0121, 0122, 0123, 0124, 0126, 0771. | | | Used on Type No(s). 0100. |
| 23 | 793489 | Flywheel Used on Type No(s). 0015, 0025, 0100, 0110, 0111, 0112, 0115, 0119, 0121, 0122, 0123, 0124, 0126, 0771. | 37A | 794106 | Guard-Flywheel Used on Type No(s). 0116, 0120. | 118A | 793695 | Jet-Main (High Altitude) |
| 23A | 793619 | Flywheel Used on Type No(s). 0116, 0120. | 40 | 793503 | Retainer-Valve | | | Used on Type No(s). 0015, 0025, 0110, 0111, 0112, 0115, 0116, 0118, 0119, 0120, 0121, 0122, 0123, 0124, 0126, 0771. |
| | | ----- Note ----- | 51 | 692555 | Gasket-Intake | | | |
| | | 793682 Flywheel Used on Type No(s). 0118. | 58 | 697316 | Rope-Starter (88 5/8" Long) | 121 | 793622 | Kit-Carburetor Overhaul |
| 24 | 222698S | Key-Flywheel | 60 | 281434S | Grip-Starter Rope | | | Used on Type No(s). 0015, 0025, 0100, 0110, 0111, 0112, 0115, 0116, 0118, 0119, 0120, 0121, 0122, 0123, 0124, 0126, 0771. |
| | | | 75 | 691736 | Washer (Flywheel) | | | |
| | | | 78 | 793480 | Screw (Flywheel Guard) (M8x14.1mm Long) | | | |
| | | | 81 | 691740 | Lock-Muffler Screw Used on Type No(s). 0015, 0025, 0100, 0110, 0111, 0112, 0115, 0116, 0118, 0119, 0120, 0121, 0122, 0123, 0124, 0126, 0771. | | | |

★ Engine Gasket Set-Reference 358

● Carburetor Overhaul Kit-Reference 121

| REF. NO. | PART NO. | DESCRIPTION | REF. NO. | PART NO. | DESCRIPTION | REF. NO. | PART NO. | DESCRIPTION |
|----------|----------|---|----------|----------|--|----------|----------|---|
| 122 | 793456 | Spacer-Carburetor Used on Type No(s). 0015, 0025, 0100, 0110, 0111, 0112, 0115, 0116, 0118, 0119, 0120, 0121, 0122, 0123, 0124, 0126, 0771. | | | 0122, 0123, 0124, 0126, 0771. | 238 | 793535 | Cap-Valve |
| | | | 202 | 793433 | Link-Mechanical Governor Used on Type No(s). 0015, 0025, 0110, 0111, 0112, 0115, 0116, 0118, 0119, 0120, 0121, 0122, 0123, 0124, 0126, 0771. | 265 | 690798 | Clamp-Casing Used on Type No(s). 0015, 0025, 0100, 0111, 0112, 0115, 0116, 0118, 0119, 0120, 0121, 0122, 0124, 0126. |
| 125 | 793463 | Carburetor (Primer System) Used on Type No(s). 0100. | | | ----- Note ----- 793444 Link- Mechanical Governor Used on Type No(s). 0100. | 267 | 691044 | Screw (Casing Clamp) Used on Type No(s). 0015, 0025, 0100, 0111, 0112, 0115, 0116, 0118, 0119, 0120, 0121, 0122, 0124, 0126. |
| 125A | 793493 | Carburetor (Ready Start System) Used on Type No(s). 0015, 0025, 0110, 0111, 0112, 0115, 0116, 0118, 0119, 0120, 0121, 0122, 0123, 0124, 0126, 0771. | 209 | 793427 | Spring-Governor (Yellow) Used on Type No(s). 0015, 0025, 0100. ----- Note ----- 793430 Spring- Governor (White) Used on Type No(s). 0110, 0111, 0112, 0115, 0116, 0118, 0119, 0120, 0122, 0123, 0124, 0126, 0771. | 276 | 793627 | Washer-Sealing |
| | | | | | 793604 Spring- Governor (Purple) Used on Type No(s). 0121. | 291 | 793498 | Thermostat Used on Type No(s). 0015, 0025, 0110, 0111, 0112, 0115, 0116, 0118, 0119, 0120, 0121, 0122, 0123, 0124, 0126, 0771. |
| 133 | 698539 | Float-Carburetor Used on Type No(s). 0015, 0025, 0110, 0111, 0112, 0115, 0116, 0118, 0119, 0120, 0121, 0122, 0123, 0124, 0126, 0771. | 216 | 793494 | Link-Choke Used on Type No(s). 0015, 0025, 0110, 0111, 0112, 0115, 0116, 0118, 0119, 0120, 0121, 0122, 0123, 0125, 0126, 0771. | 300 | 793468 | Muffler Used on Type No(s). 0100. |
| | | | | | | 300A | 793496 | Muffler Used on Type No(s). 0015, 0025, 0110, 0111, 0119, 0121, 0122, 0123, 0124, 0126, 0771. |
| 137 | 698538 | Gasket-Float Bowl Used on Type No(s). 0015, 0025, 0110, 0111, 0112, 0115, 0116, 0118, 0119, 0120, 0121, 0122, 0123, 0124, 0126, 0771. | | | | 300B | 793679 | Muffler Used on Type No(s). 0112, 0115, 0116, 0118, 0120. |
| 163 | 691894 | Gasket-Air Cleaner | | | | 304 | 793486 | Housing-Blower Used on Type No(s). 0015, 0025 0100, 0110, 0111, 0112, 0115, 0118, 0119, 0121, 0122, 0123, 0124,0126, 0771. ----- Note ----- 794105 Housing- Blower (Electric Start) Used on Type No(s). 0116, 0120. |
| 177 | 691031 | Seal-O Ring (Dipstick) Used on Type No(s). 0015, 0025, 0100, 0110, 0111, 0112, 0115, 0116, 0118, 0119, 0120, 0121, 0122, 0123, 0124, 0126, 0771. | 222 | 793487 | Bracket-Control Used on Type No(s). 0015, 0025, 0100, 0110, 0111, 0112, 0115, 0116, 0118, 0119, 0120, 0121, 0122, 0123, 0124, 0126, 0771. | | | |
| | | | | | | 309 | 794102 | Motor-Starter Used on Type No(s). 0116, 0120. |
| 187 | 791766 | Line-Fuel (Cut to Required Length) Used on Type No(s). 0015, 0025, 0100, 0110, 0111, 0112, 0115, 0116, 0118, 0119, 0120, 0121, | 227 | 793516 | Lever-Governor Control | | | |
| | | | 236 | 691826 | Link-Lockout Used on Type No(s). 0015, 0025. | | | |

★ Engine Gasket Set-Reference 358

● Carburetor Overhaul Kit-Reference 121

100600

| REF. NO. | PART NO. | DESCRIPTION | REF. NO. | PART NO. | DESCRIPTION | REF. NO. | PART NO. | DESCRIPTION |
|----------|----------|---|----------|----------|---|----------|----------|---|
| 332 | 690662 | Nut (Flywheel) (SAE) (.625-18 I.D.) | 523 | 793475 | Dipstick Used on Type No(s). 0015, 0025, 0100, 0110, 0111, 0112, 0115, 0116, 0118, 0119, 0120, 0121, 0122, 0123, 0124, 0126, 0771. | 613 | 793469 | Screw (Muffler) Used on Type No(s). 0100. |
| 332A | 792723 | Nut (Flywheel) (Metric) (M16x1.5mm I.D.) | 524 | 793476 | Seal-Dipstick Tube Used on Type No(s). 0015, 0025, 0100, 0110, 0111, 0112, 0115, 0116, 0118, 0119, 0120, 0121, 0122, 0123, 0124, 0126, 0771. | | | ----- Note ----- 793495 Screw (Muffler) Used on Type No(s). 0015, 0025, 0110, 0111, 0119, 0121, 0122, 0123, 0124, 0126, 0771. |
| 333 | 793449 | Armature-Magneto | | | | | | 793680 Screw (Muffler) Used on Type No(s). 0112, 0115, 0116, 0118, 0120. |
| 334 | 793454 | Screw (Magneto Armature) | 525 | 793477 | Tube-Dipstick Used on Type No(s). 0015, 0025, 0100, 0110, 0111, 0112, 0115, 0116, 0118, 0119, 0120, 0121, 0122, 0123, 0124, 0126, 0771. | 615 | 690340 | Retainer-Governor Shaft |
| 337 | 692051 | Plug-Spark Used on Type No(s). 0015, 0100, 0121. ----- Note ----- 692720 Plug-Spark Used on Type No(s). 0025, 0110, 0111, 0112, 0115, 0116, 0118, 0119, 0120, 0122, 0123, 0124, 0126, 0771. | 535 | 793676 | Filter-Air Cleaner Foam Used on Type No(s). 0015, 0025, 0771. | 616 | 793448 | Crank-Governor |
| 356 | 692390 | Wire-Stop Used on Type No(s). 0100, 0110, 0111, 0112, 0115, 0116, 0118, 0119, 0120, 0121, 0122, 0123, 0124, 0126, 0771. | 562 | 793514 | Bolt (Governor Control Lever) | 621 | 692310 | Switch-Stop Used on Type No(s). 0015, 0025, 0100, 0110, 0111, 0112, 0115, 0116, 0118, 0119, 0120, 0121, 0122, 0123, 0124, 0771. |
| 358 | 793623 | Gasket Set-Engine | 578 | 398153 | Wire Assembly Used on Type No(s). 0015, 0025. | 623 | 793628 | Seal-O Ring (Carburetor Spacer) |
| 363 | 19069 | Puller-Flywheel | 578A | 794104 | Wire Assembly Used on Type No(s). 0116, 0120. | 635 | 66538S | Boot-Spark Plug |
| 365 | 793458 | Screw (Carburetor) (27.0mm) | 592 | 793481 | Nut (Rewind Starter) | 662 | 793478 | Stud (Rewind Starter) (M5x32.9mm Long) Used on Type No(s). 0015, 0025, 0100, 0110, 0111, 0112, 0115, 0116, 0118, 0119, 0120, 0121, 0122, 0123, 0124, 0126, 0771. |
| 371 | 794574 | Gear-Cam | 601 | 791850 | Hose-Clamp Used on Type No(s). 0015, 0025, 0100, 0110, 0111, 0112, 0115, 0116, 0118, 0119, 0120, 0121, 0122, 0123, 0124, 0126, 0771. | 662A | 793479 | Stud (Rewind Starter) (M5x49.6mm Long) Used on Type No(s). 0015, 0025, 0100, 0110, 0111, 0112, 0115, 0116, 0118, 0119, 0120, 0121, 0122, 0123, 0124, 0162, 0771. |
| 383 | 19374S | Wrench-Spark Plug | 608 | 793470 | Starter-Rewind Used on Type No(s). 0015, 0025, 0100, 0110, 0111, 0112, 0115, 0116, 0118, 0119, 0120, 0121, 0122, 0123, 0124, 0126, 0771. | | | |
| 404 | 690272 | Washer (Governor Crank) | | | | | | |
| 425 | 793460 | Screw (Air Cleaner Cover) (36.2mm) | | | | | | |
| 445 | 792038 | Filter-Air Cleaner Cartridge | | | | | | |
| 474 | 794103 | Alternator Used on Type No(s). 0116 0120. | | | | | | |
| 505 | 793515 | Nut (Governor Control Lever) | | | | | | |
| 513 | 692358 | Clutch-Drive Used on Type No(s). 0116, 0120. | | | | | | |

★ Engine Gasket Set-Reference 358

● Carburetor Overhaul Kit-Reference 121

| REF. NO. | PART NO. | DESCRIPTION | REF. NO. | PART NO. | DESCRIPTION | REF. NO. | PART NO. | DESCRIPTION |
|----------|----------|---|----------|----------|---|----------|----------|--|
| 670 | 793485 | Spacer-Fuel Tank Used on Type No(s). 0015, 0025, 0100, 0110, 0111, 0112, 0115, 0116, 0118, 0119, 0120, 0121, 0122, 0123, 0124, 0126, 0771. | 843 | 691884 | Sleeve-Lever Used on Type No(s). 0015, 0025, 0100, 0121, 0122. | 922 | 692135 | Spring-Brake Used on Type No(s). 0015, 0025, 0100, 0110, 0111, 0112, 0115, 0116, 0119, 0120, 0121, 0122, 0123, 0124, 0771. |
| 718 | 690959 | Pin-Locating (Cylinder) | 847 | 793474 | Diptstick/Tube Assembly Used on Type No(s). 0015, 0025, 0100, 0110, 0111, 0112, 0115, 0116, 0118, 0119, 0120, 0121, 0122, 0123, 0124, 0126, 0771. | 923 | 793490 | Brake Used on Type No(s). 0015, 0025 0100, 0110, 0111, 0112, 0115, 0119, 0120, 0121, 0122, 0123, 0124, 0126, 0771. |
| 741 | 793446 | Gear-Timing | 851 | 493880S | Terminal-Spark Plug | 923A | 794107 | Brake Used on Type No(s). 0116, 0120. |
| 742 | 93941 | Retainer-E Ring Used on Type No(s). 0116, 0120. | 857 | 793533 | Trim-Blower Housing Cover Used on Type No(s). 0111, 0112, 0115, 0116, 0119, 0120, 0123, 0124, 0126, 0771. | 925 | 793678 | Cover-Linkage Used on Type No(s). 0118. |
| 745 | 793491 | Screw (Brake) (M5x25.3mm Long) Used on Type No(s). 0015, 0025, 0100, 0110, 0111, 0112, 0115, 0116, 0118, 0119, 0120, 0121, 0122, 0123, 0124, 0126, 0771. | 868 | 793507 | Seal-Valve | 937 | 494146 | Spline-Starter Used on Type No(s). 0116, 0120. |
| 783 | 691918 | Gear-Pinion Used on Type No(s). 0116, 0120. | 875 | 793462 | Base-Air Cleaner Used on Type No(s). 0100. | 942 | 793673 | Bracket-Brake Used on Type No(s). 0015, 0025. |
| 783A | 691269 | Gear-Pinion Used on Type No(s). 0116, 0120. | 875A | 793492 | Base-Air Cleaner Used on Type No(s). 0015, 0025, 0110, 0111, 0112, 0115, 0118, 0116, 0119, 0120, 0121, 0122, 0123, 0124, 0126, 0771. | 955 | 793465 | Plug-Carburetor Used on Type No(s). 0015, 0025, 0100, 0110, 0111, 0112, 0115, 0116, 0118, 0119, 0120, 0121, 0122, 0123, 0124, 0771. |
| 787 | 793513 | Arm-Lever | 883 | 793497 | Gasket-Exhaust Used on Type No(s). 0015, 0025, 0100, 0110, 0111, 0112, 0115, 0116, 0118, 0119, 0120, 0121, 0122, 0123, 0124, 0126, 0771. | 957 | 692046 | Cap-Fuel Tank (Black) Used on Type No(s). 0100, 0110, 0111, 0112, 0115, 0116, 0118, 0119, 0120, 0122, 0123, 0124, 0126, 0771. |
| 793 | 793511 | Screw/Nut Set (Lever Arm) | 910 | 794101 | Stud (Alternator) Used on Type No(s). 0116, 0120. | 957A | 793606 | Cap-Fuel Tank (Black/Grey) Used on Type No(s). 0015, 0025 0121. |
| 832 | 793499 | Guard-Muffler Used on Type No(s). 0110, 0111, 0119, 0122, 0123, 0124, 0126, 0771. | 914 | 699480 | Screw (Rocker Cover) (15.8mm) | | | |
| 832A | 793681 | Guard-Muffler Used on Type No(s). 0112, 0115, 0116, 0118, 0120. | 921 | 793531 | Cover-Blower Housing Used on Type No(s). 0111, 0112, 0115, 0116, 0119, 0120, 0123, 0124, 0126, 0771. | | | |
| 836 | 793500 | Screw (Muffler Guard) (M5x12.3mm Long) Used on Type No(s). 0110, 0111, 0112, 0115, 0116, 0118, 0119, 0120, 0122, 0123, 0124, 0126, 0771. | | | | | | |

★ Engine Gasket Set-Reference 358

● Carburetor Overhaul Kit-Reference 121

100600

| REF. NO. | PART NO. | DESCRIPTION | REF. NO. | PART NO. | DESCRIPTION | REF. NO. | PART NO. | DESCRIPTION |
|----------|----------|--|----------|----------|---|----------|----------|---|
| 968 | 793428 | Cover–Air Cleaner Used on Type No(s). 0015, 0025, 0100, 0121, 0122. | 976 | 694395 | Primer–Carburetor Used on Type No(s). 0100. | 1059 | 793471 | Kit–Screw/Washer (Fuel Tank) |
| 968A | 793432 | Cover–Air Cleaner Used on Type No(s). 0110, 0118. | 1009 | 794099 | Screw (Starter Motor) (M6x26mm Long) Used on Type No(s). 0116, 0120. | 1095 | 793624 | Gasket Set–Valve |
| 968B | 793532 | Cover–Air Cleaner Used on Type No(s). 0111, 0112, 0115, 0116, 0119, 0120, 0123, 0124, 0126, 0771. | 1022 | 793437 | Gasket–Rocker Cover | 1119 | 794100 | Screw (Alternator) (M5x29.8mm Long) Used on Type No(s). 0116, 0120. |
| 969 | 690700 | Screw (Blower Housing Cover) | 1023 | 793436 | Cover–Rocker | 1208 | 699776 | Screw (Brake Bracket) Used on Type No(s). 0015, 0025. |
| 972 | 793472 | Tank–Fuel Used on Type No(s). 0015, 0025, 0100, 0110, 0111, 0112, 0115, 0116, 0118, 0119, 0120, 0121, 0122, 0123, 0124, 0126, 0771. | 1036 | | Label–Emissions (Available from A Briggs & Stratton Authorized Dealer) | 1263 | 697124 | Reed–Breather |
| 975 | 793464 | Bowl–Float Used on Type No(s). 0015, 0025, 0100, 0110, 0111, 0112, 0115, 0116, 0118, 0119, 0121, 0122, 0123, 0124, 0126, 0771. | 1058 | MS3370 | Operator’s Manual Used on Type No(s). 0015, 0025, 0110, 0111, 0112, 0115, 0116, 0118, 0119, 0120, 0123, 0124, 0126. ----- Note ----- MS3734 Operator’s Manual Used on Type No(s). 0110, 0118. 276373 Operator’s Manual Used on Type No(s). 0118. MS3371 Operator’s Manual | 1264 | 793453 | Screw (Breather Reed) (M4x12.4mm Long) |
| | | | | | | 1319 | 794467 | Label–Warning |
| | | | | | | 1375 | 793442 | Cover–Breather/Reed |
| | | | | | | 1376 | 699851 | Screw (Breather/Reed Cover) (M5x9.5mm Long) |
| | | | | | | 1395 | 793459 | Screw (Air Cleaner Base to Carburetor) (34 15/16” Long) |

★ Engine Gasket Set–Reference 358

● Carburetor Overhaul Kit–Reference 121

Free Manuals Download Website

<http://myh66.com>

<http://usermanuals.us>

<http://www.somanuals.com>

<http://www.4manuals.cc>

<http://www.manual-lib.com>

<http://www.404manual.com>

<http://www.luxmanual.com>

<http://aubethermostatmanual.com>

Golf course search by state

<http://golfingnear.com>

Email search by domain

<http://emailbydomain.com>

Auto manuals search

<http://auto.somanuals.com>

TV manuals search

<http://tv.somanuals.com>