



Illustrated Parts List

Model Series

120200

TYPE NUMBERS
0101 through 3708.

TABLE OF CONTENTS

Air Cleaner	5
Blower Housing	7
Camshaft	2
Carburetor	4
Controls	6
Crankcase Cover	2
Crankshaft	2
Cylinder	2
Cylinder Head	3
Exhaust System	5
Flywheel	7
Fuel Supply	4
Gear Reduction	7
Governor Spring	6
Ignition	6
Kits/Gaskets - Carburetor	4
Kits/Gaskets - Engine	2
Kits/Gaskets - Valve	3
Lubrication	2
Piston Group	2
Rewind Starter	7



PRINTED IN U.S.A.

COPYRIGHT by BRIGGS & STRATTON CORPORATION
All rights reserved. No part of this material may be reproduced or transmitted,
in any form or by any means, electronic or mechanical, including photocopying,
recording or by any information storage and retrieval system, without permission
in writing from Briggs & Stratton Corporation.

1319 WARNING LABEL



REQUIRED when replacing parts with warning labels affixed.

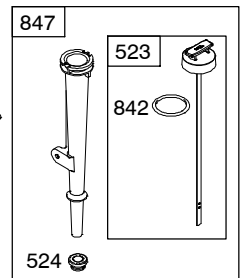
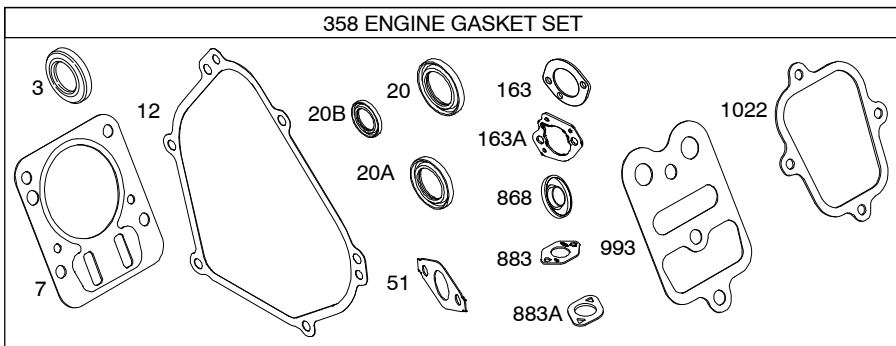
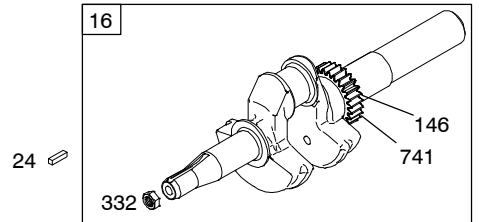
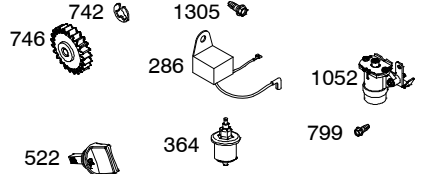
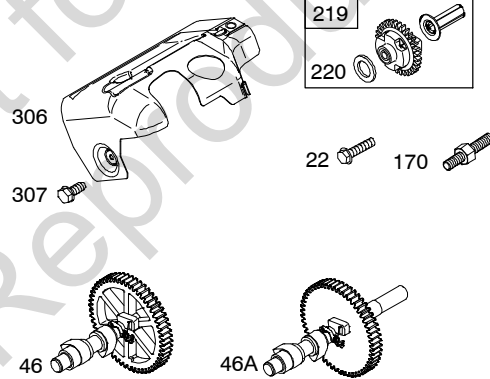
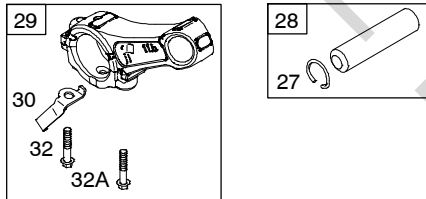
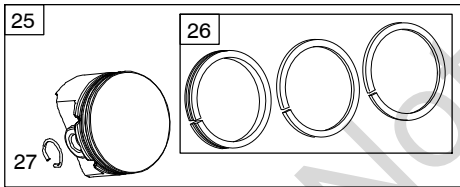
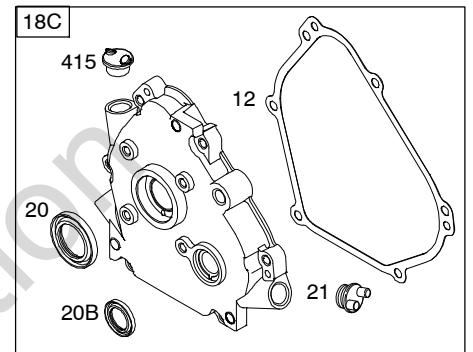
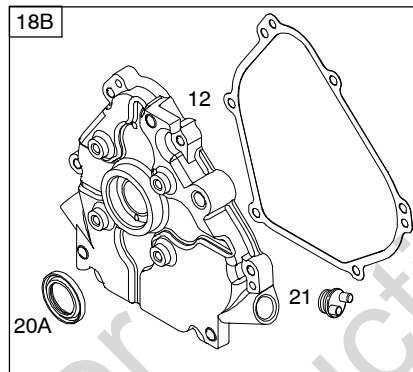
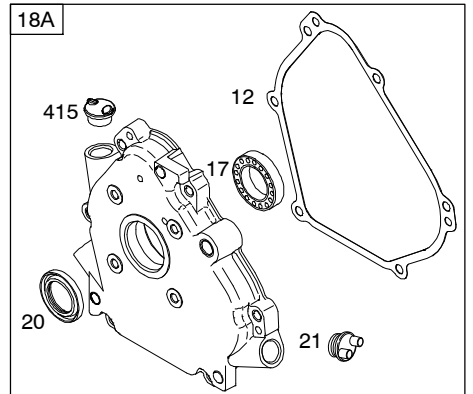
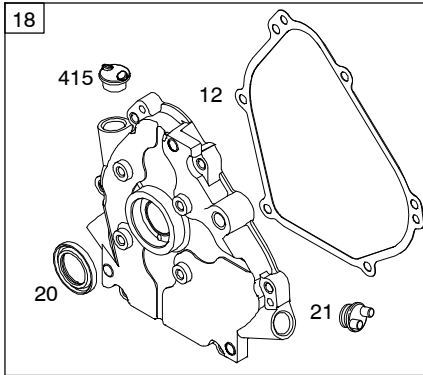
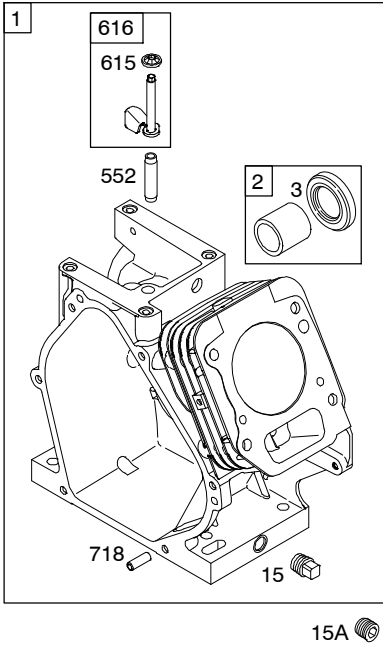
1058 OPERATOR'S MANUAL



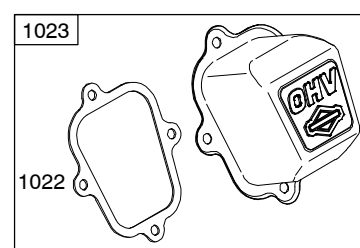
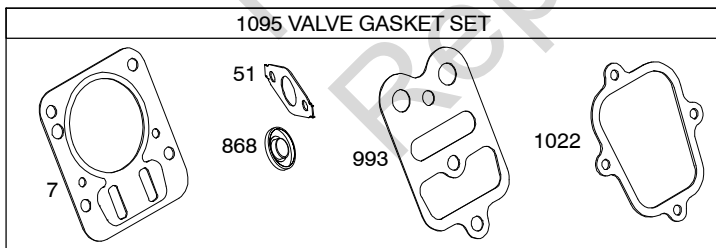
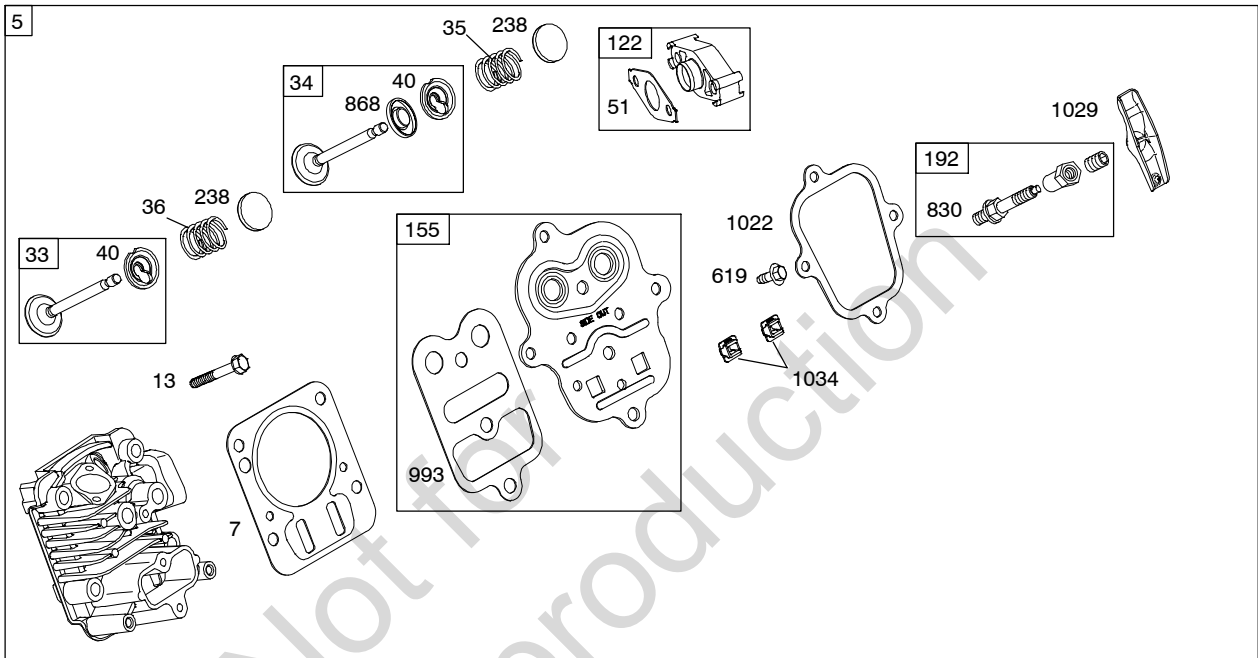
1330 REPAIR MANUAL

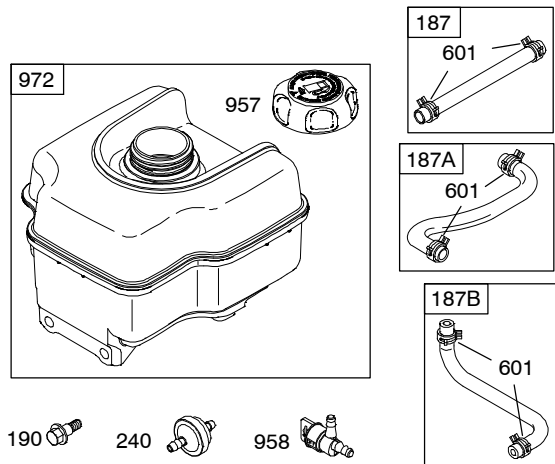
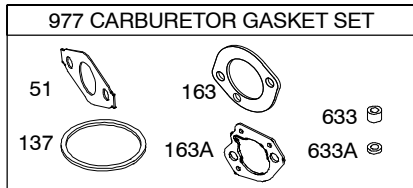
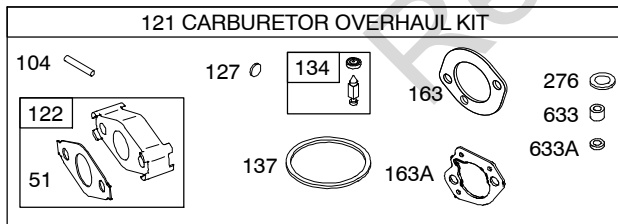
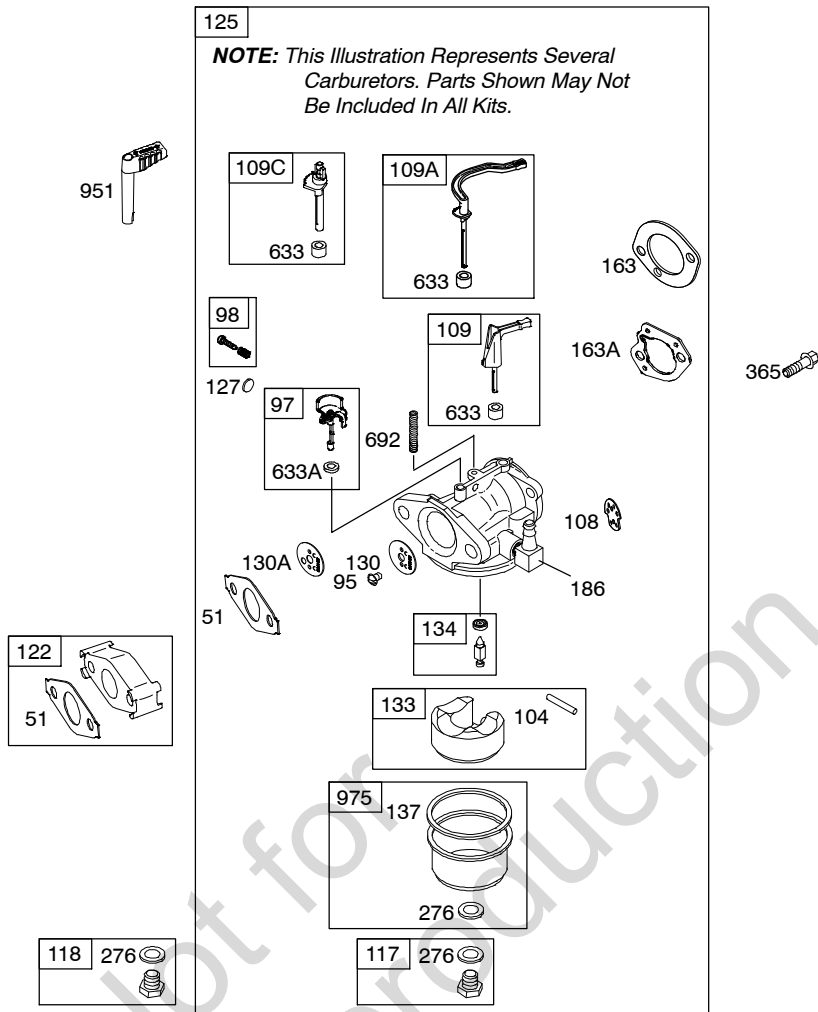


1019 LABEL KIT

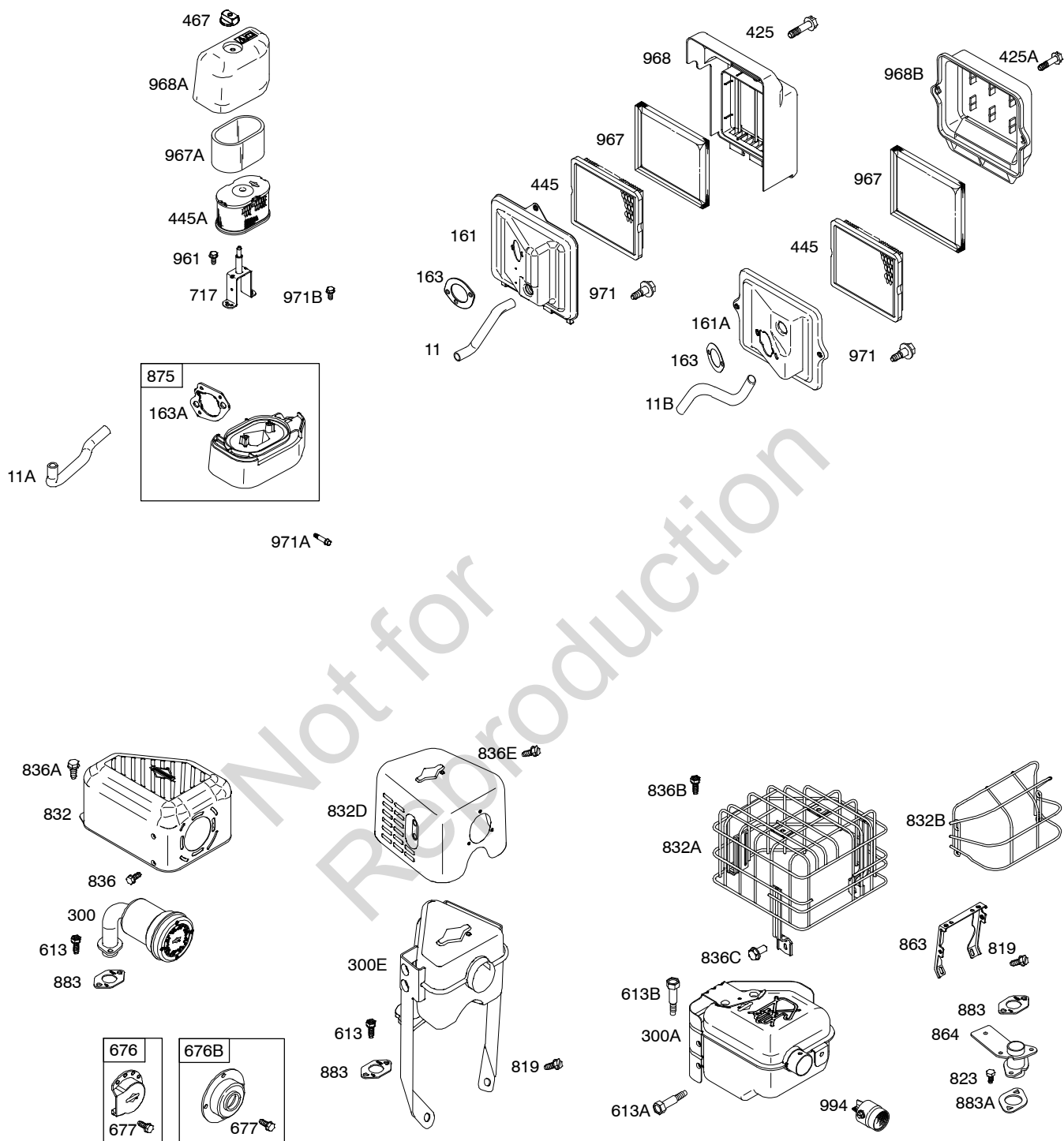


Illustrations cover a range of engines. Parts shown without corresponding text may not be used on your specific engine.

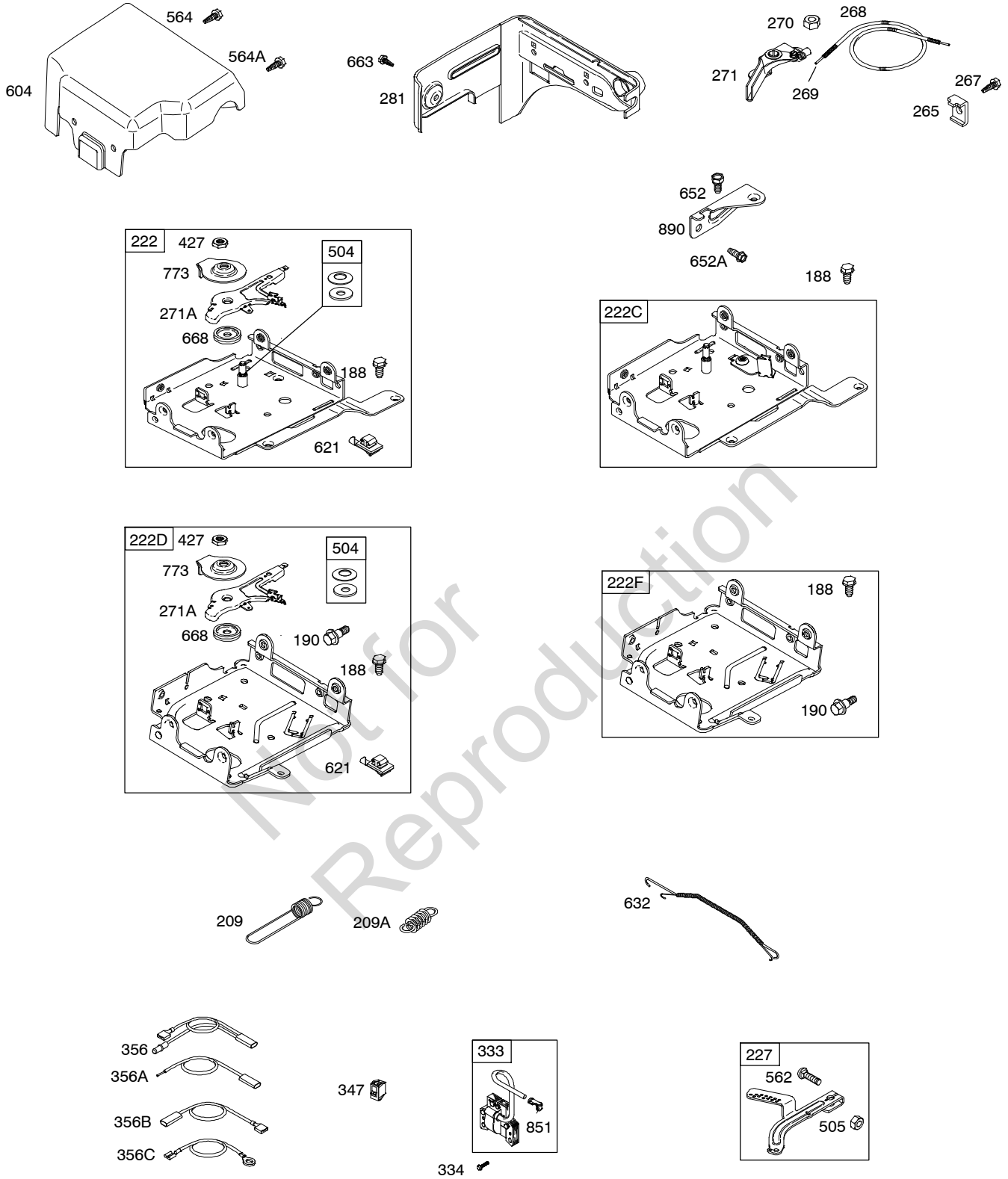




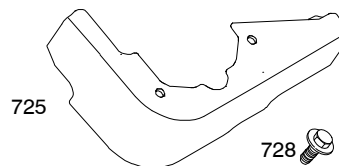
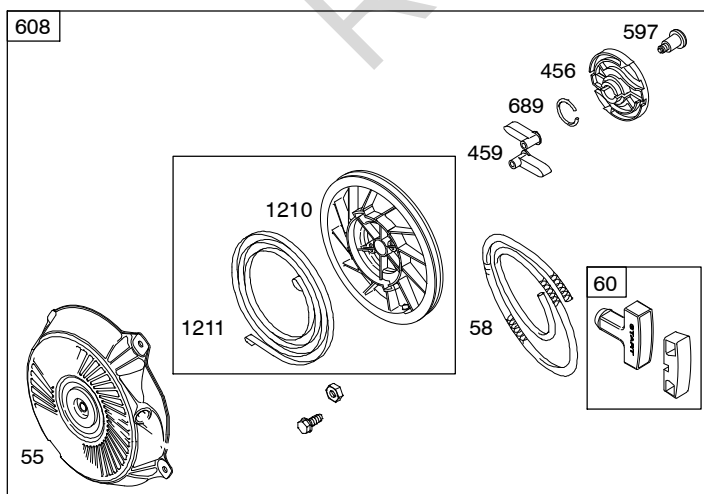
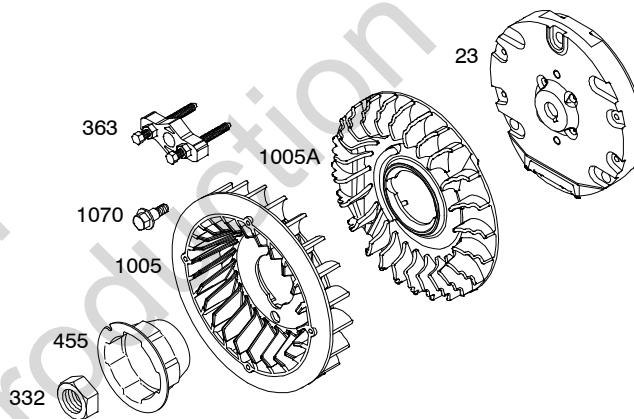
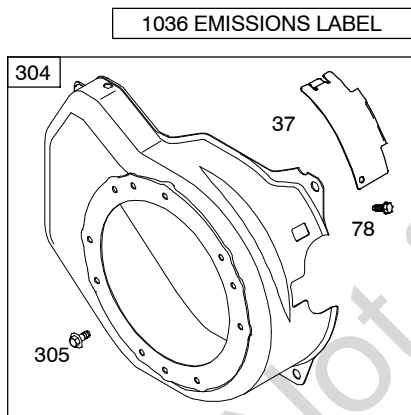
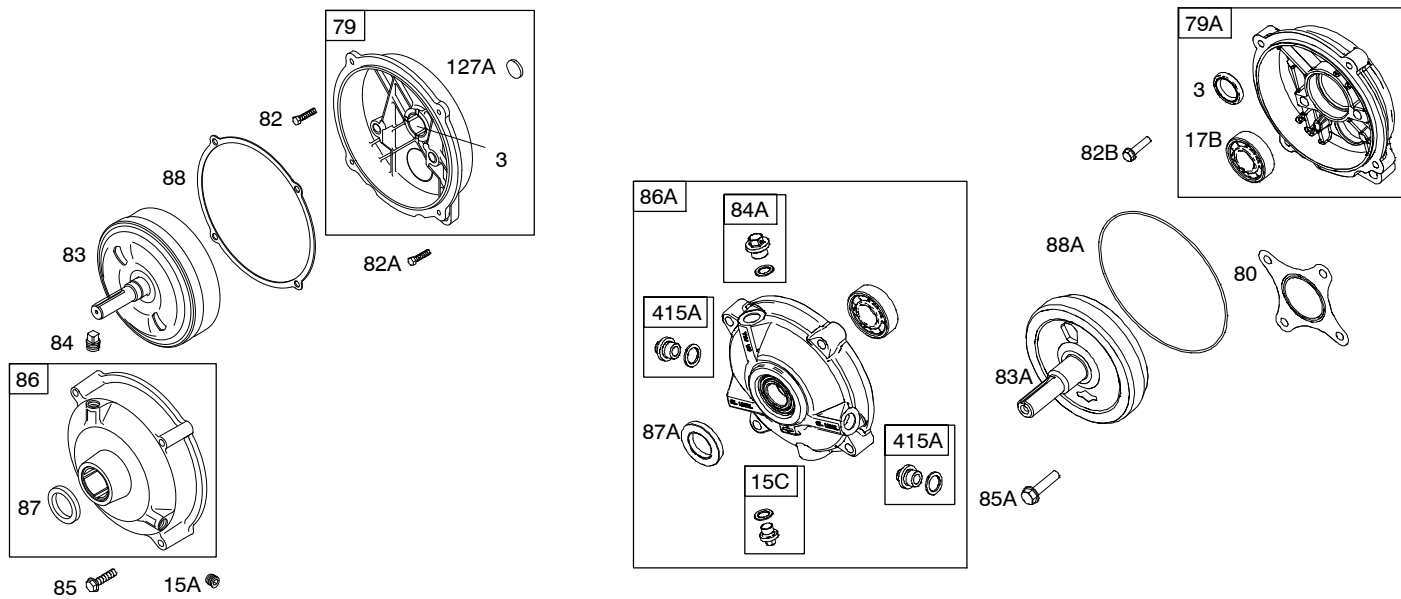
Illustrations cover a range of engines. Parts shown without corresponding text may not be used on your specific engine.



Illustrations cover a range of engines. Parts shown without corresponding text may not be used on your specific engine.



Illustrations cover a range of engines. Parts shown without corresponding text may not be used on your specific engine.



Illustrations cover a range of engines. Parts shown without corresponding text may not be used on your specific engine.

120200

REF. NO.	PART NO.	DESCRIPTION	REF. NO.	PART NO.	DESCRIPTION	REF. NO.	PART NO.	DESCRIPTION
1	699510	Cylinder Assembly	16	699452	Crankshaft Used on Type No(s). 0354, 0534.	18	699804	Cover-Crankcase Used on Type No(s). 0060, 0101, 0111, 0112, 0114, 0115, 0118, 0119, 0121, 0123, 0127, 0129, 0131, 0133, 0134, 0135, 0140, 0141, 0142, 0143, 0354, 0360, 0399, 0523, 0528, 0534, 0549, 0560.
2	399269	Kit-Bushing/Seal (Magneto Side)			----- Note -----			
3	★299819S	Seal-Oil (Magneto Side)			699449 Crankshaft Used on Type No(s). 0360, 0387, 0399, 0560.			
5	699486	Head-Cylinder			699445 Crankshaft Used on Type No(s). 0101, 0114, 0121, 0129, 0133, 0134, 0141, 0142, 0143, 0417, 0422, 0475, 0523, 0570, 0770, 0780, 3780.			
7	★Ø698210	Gasket-Cylinder Head			699447 Crankshaft Used on Type No(s). 0115, 0117, 0118, 0119, 0126, 0127.			
11	692600	Tube-Breather (Flat Panel Air Cleaner)			699443 Crankshaft Used on Type No(s). 0116, 0125, 0132, 0139, 0536.			
11A	693647	Tube-Breather (High Mount Air Cleaner)			792883 Crankshaft (Used After Code Date 06051600). Used on Type No(s). 0111, 0112, 0135, 0140, 0549.	18A	699672	Cover-Crankcase Used on Type No(s). 0116, 0125, 0132, 0136, 0138, 0139, 0535, 0536.
11B	790632	Tube-Breather (Ultra Low Air Cleaner)			699444 Crankshaft (Used Before Code Date 06051700). Used on Type No(s). 0111.	18B	699761	Cover-Crankcase (Used Before Code Date 07070300). Used on Type No(s). 0117, 0126.
12	★699485	Gasket-Crankcase			699441 Crankshaft Used on Type No(s). 0136, 0138, 0528, 0535.	18C	699677	Cover-Crankcase Used on Type No(s). 0570.
13	699482	Screw (Cylinder Head)			699451 Crankshaft Used on Type No(s). 0060, 0123, 0128, 0131.	20	★692550	Seal-Oil (PTO Side)
15	691686	Plug-Oil Drain (Square Head)	17	692517	Bearing-Ball	20A	★694171	Seal-Oil (PTO Side)
15A	691682	Plug-Oil Drain (Flush)	17B	99158	Bearing-Ball	20B	★691952	Seal-Oil (PTO Side)
15C	792750	Plug-Oil Drain						

★ Included in Engine Gasket Set-Ref. No.358.

● Included in Carburetor Overhaul Kit-Ref. No. 121.

◆ Included in Carburetor Gasket Set-Ref. No. 977.

Ø Included in Valve Gasket Set-Ref. No 1095.

Illustrations cover a range of engines. Parts shown without corresponding text may not be used on your specific engine.

3243-8

Assemblies include all parts shown in frames.

02/02/2009

REF. NO.	PART NO.	DESCRIPTION	REF. NO.	PART NO.	DESCRIPTION	REF. NO.	PART NO.	DESCRIPTION		
21	281658S	Cap–Oil Fill	40	692194	Retainer–Valve	60	490652	Grip–Starter Rope (2 Piece)		
22	699478	Screw (Crankcase Cover/ Sump)	45	690977	Tappet–Valve	78	699205	Screw (Flywheel Guard)		
23	699488	Flywheel	46A	694831	Camshaft	79	694511	Case–Gear Reduction (Used Before Code Date 06051700).		
24	222698S	Key–Flywheel	51★◆∅	692555	Gasket–Intake	79A	792746	Case–Gear Reduction (Used After Code Date 06051600).		
25	791968	Piston Assembly (Standard)	55	791848	Housing–Rewind Starter (Used After Code Date 08030200).	80	792755	Gasket–Gear Case		
		----- Note -----			----- Note -----	82	690369	Screw (Gear Reduction Case) (Used Before Code Date 06051700).		
		791326 Piston Assembly (.020" Oversize)			691422 Housing–Rewind Starter (Used Before Code Date 08030300). (Rewind Starter Parts Used With 3MM Diameter Starter Rope)	82A	790197	Screw (Gear Reduction Case) (Used Before Code Date 06051700).		
26	791969	Ring Set (Standard) (Used After Code Date 05060600).			791848 Housing–Rewind Starter (Used Before Code Date 08030300). (Rewind Starter Parts Used With 5MM Diameter Starter Rope)	82B	792753	Screw (Gear Reduction Case) (Used After Code Date 06051600).		
		----- Note -----			58	693389	Rope–Starter (Used After Code Date 08030200).			
		499631 Ring Set (Standard) (Used Before Code Date 05060700).			----- Note -----			83	690374	Shaft–Auxiliary Drive (Used Before Code Date 06051700).
		791324 Ring Set (.020" Oversize) (Used After Code Date 05060600).			693389 Rope–Starter (Used Before Code Date 08030300). (Rewind Starter Parts Used With 3MM Diameter Starter Rope)	83A	792756	Shaft–Auxiliary Drive (Used After Code Date 06051600).		
		692786 Ring Set (.020" Oversize) (Used Before Code Date 05060700).			66574 Rope–Starter (Used Before Code Date 08030300). (Rewind Starter Parts Used With 5MM Diameter Starter Rope)	84	691121	Plug–Breather		
27	691866	Lock–Piston Pin				84A	792759	Plug–Breather		
28	499423	Pin–Piston				85	692551	Screw (Gear Cover to Gear Reduction) (Used Before Code Date 06051700).		
29	690124	Rod–Connecting				85A	690711	Screw (Gear Cover to Gear Reduction) (Used After Code Date 06051600).		
30	791584	Dipper–Connecting Rod								
32	691664	Screw (Connecting Rod)								
32A	695759	Screw (Connecting Rod)								
33	499642	Valve–Exhaust								
34	499641	Valve–Intake								
35	691304	Spring–Valve (Intake)								
36	691304	Spring–Valve (Exhaust)								
37	699661	Guard–Flywheel								

★ Included in Engine Gasket Set–Ref. No.358.

● Included in Carburetor Overhaul Kit–Ref. No. 121.

◆ Included in Carburetor Gasket Set–Ref. No. 977.

∅ Included in Valve Gasket Set–Ref. No 1095.

Illustrations cover a range of engines. Parts shown without corresponding text may not be used on your specific engine.

120200

REF. NO.	PART NO.	DESCRIPTION	REF. NO.	PART NO.	DESCRIPTION	REF. NO.	PART NO.	DESCRIPTION	
86	690608	Cover-Gear (Used Before Code Date 06051700).	118	498975	Jet-Main (High Altitude) ----- Note -----	133	398187	Float-Carburetor	
86A	795647	Cover-Gear (Used After Code Date 08010100). ----- Note -----		695042	Jet-Main (High Altitude) Used on Type No(s). 0115, 0117, 0118, 0127.	134	●398188	Kit-Needle/Seat	
		792748 Cover-Gear (Used After Code Date 06051600 and Before Code Date 08010200).		494870	Jet-Main (High Altitude) Used on Type No(s). 0114, 0121.	137	●●693981	Gasket-Float Bowl	
87	691582	Seal-Gear Reduction (Used Before Code Date 06051700).		497466	Jet-Main (High Altitude) Used on Type No(s). 0119, 0126.	146	690979	Key-Timing	
87A	792752	Seal-Gear Reduction (Used After Code Date 06051600).	121	792006	Kit-Carburetor Overhaul	155	★698214	Plate-Cylinder Head	
88	691600	Gasket-Gear Reduction Cover		122	★●693749	Spacer-Carburetor	161	699207	Base-Air Cleaner (Flat Panel Air Cleaner)
88A	792760	Gasket-Gear Reduction Cover	125	791077	Carburetor ----- Note -----	161A	790631	Base-Air Cleaner (Ultra Low Air Cleaner)	
95	691636	Screw (Throttle Valve)		697028	Carburetor Used on Type No(s). 0114, 0121.	163★●●	696024	Gasket-Air Cleaner (Flat Panel Air Cleaner)	
97	690024	Shaft-Throttle		696981	Carburetor Used on Type No(s). 0060, 0101, 0111, 0112, 0116, 0123, 0125, 0128, 0129, 0131, 0132, 0133, 0134, 0135, 0136, 0138, 0139, 0140, 0141, 0142, 0143, 0523, 0535, 0536, 0549, 0570.	163A★●●	792870	Gasket-Air Cleaner (High Mount)	
98	398185	Kit-Idle Speed (Carburetor)		698860	Carburetor Used on Type No(s). 0119, 0126.	186	692317	Connector-Hose	
104	●691242	Pin-Float Hinge		791991	Carburetor Used on Type No(s). 0115, 0117, 0118, 0127.	170	699818	Stud (Crankcase Cover)	
108	692567	Valve-Choke		127	●691739	Plug-Welch	187	791766	Line-Fuel (Cut to Required Length)
109	690023	Shaft-Choke		127A	●691585	Plug-Welch	187A	791867	Line-Fuel (Molded)
109A	693628	Shaft-Choke		130	691181	Valve-Throttle	187B	791874	Line-Fuel (Molded)
109C	790624	Shaft-Choke		130A	691203	Valve-Throttle Used on Type No(s). 0115, 0117.	188	699479	Screw (Control Bracket)
117	498978	Jet-Main (Standard) ----- Note -----					190	699220	Screw (Fuel Tank)
		691428 Jet-Main (Standard) Used on Type No(s). 0115, 0117, 0118, 0127.					192	694543	Adjustor-Rocker Arm
		697355 Jet-Main (Standard) Used on Type No(s). 0114, 0121.					209	692571	Spring-Governor ----- Note -----
		498975 Jet-Main (Standard) Used on Type No(s). 0119, 0126.						693206	Spring-Governor Used on Type No(s). 0060, 0115, 0117, 0118, 0123, 0126, 0127, 0129, 0131, 0133, 0134, 0136, 0138, 0142, 0143, 0523, 0535, 0570.
								693710	Spring-Governor Used on Type No(s). 0114.
							209A	691278	Spring-Governor

★ Included in Engine Gasket Set-Ref. No.358.

● Included in Carburetor Overhaul Kit-Ref. No. 121.

◆ Included in Carburetor Gasket Set-Ref. No. 977.

⊘ Included in Valve Gasket Set-Ref. No 1095.

Illustrations cover a range of engines. Parts shown without corresponding text may not be used on your specific engine.

3243-10

Assemblies include all parts shown in frames.

02/02/2009

REF. NO.	PART NO.	DESCRIPTION	REF. NO.	PART NO.	DESCRIPTION	REF. NO.	PART NO.	DESCRIPTION
219	693578	Gear-Governor	281	793122	Panel-Control	427	694255	Nut (Control Bracket)
220	691724	Washer (Governor Gear)	286	794185	Module-Oil Sensor	445	491588S	Filter-Air Cleaner Cartridge (Flat Panel)
222	699589	Bracket-Control (Used Before Code Date 06051500).	287	699629	Screw (Dipstick Tube)	445A	697029	Filter-Air Cleaner Cartridge (High Mount)
222C	699590	Bracket-Control (Used Before Code Date 06051500). Used on Type No(s). 0115, 0117, 0119. ----- Note ----- 699493 Bracket- Control (Used Before Code Date 06051500). Used on Type No(s). 0118.	300	693593	Muffler	455	692591	Cup-Flywheel
222D	793107	Bracket-Control (Used After Code Date 06051400).	300A	699231	Muffler	456	692299	Plate-Pawl Friction
222F	793100	Bracket-Control (Used After Code Date 06051400). Used on Type No(s). 0115, 0117, 0118, 0119, 0126, 0127.	300E	791595	Muffler	459	281505S	Pawl-Ratchet
227	692573	Lever-Governor Control	304	699598	Housing-Blower (Blower Housing)	467	691668	Knob-Air Cleaner
238	691300	Valve-Cap	305	699480	Screw (Cylinder Shield)	504	694254	Washer Set-Friction
240	394358S	Filter-Fuel	306	693610	Shield-Cylinder	505	691251	Nut (Governor Control Lever)
265	691024	Clamp-Casing (Casing Clamp)	307	699483	Screw (Flywheel)	522	697689	Plug-Dipstick/Fill
267	699492	Screw	332	792723	Nut (Magneto Armature)	523	693618	Dipstick ----- Note ----- 790546 Dipstick Used on Type No(s). 0360, 0399, 0528, 0560.
268	691025	Casing-Control Wire (Cut to Required Length)	333	695711	Armature-Magneto	524	281370S	Seal-Dipstick Tube
269	691026	Wire-Control (Cut to Required Length)	334	699477	Screw (Resistor)	544	692966	Armature-Starter
270	691027	Nut (Control Wire Casing)	337	491055S	Plug-Spark (EMS) ----- Note ----- 691043 Plug-Spark (EMS)	552	692346	Bushing-Governor Crank
271	691028	Lever-Control	347	698338	Switch-Rocker Used on Type No(s). 0118, 0119, 0127.	562	691119	Bolt (Governor Control Lever)
271A	694256	Lever-Control	356	693651	Wire-Stop	564	699491	Screw (Control Cover)
276	●271716	Washer-Sealing	356A	692390	Wire-Stop	564A	699206	Screw (Control Cover)
			356B	692602	Wire-Stop	597	691696	Screw (Pawl Friction Plate)
			356C	695630	Wire-Stop	601	791850	Clamp-Hose
			358	791797	Gasket Set-Engine	604	697326	Cover-Control
			363	19203	Puller-Flywheel			
			364	695693	Terminal-Oil Plug			
			365	699484	Screw (Carburetor)			
			383	19374S	Wrench-Spark Plug			
			415	693463	Plug			
			415A	792749	Plug			
			425	699208	Screw (Air Cleaner Cover)			
			425A	699492	Screw (Air Cleaner Cover)			

★ Included in Engine Gasket Set-Ref. No.358.

● Included in Carburetor Overhaul Kit-Ref. No. 121.

◆ Included in Carburetor Gasket Set-Ref. No. 977.

∅ Included in Valve Gasket Set-Ref. No 1095.

Illustrations cover a range of engines. Parts shown without corresponding text may not be used on your specific engine.

120200

REF. NO.	PART NO.	DESCRIPTION	REF. NO.	PART NO.	DESCRIPTION	REF. NO.	PART NO.	DESCRIPTION
608	795930	Starter-Rewind (Used After Code Date 08030200). ----- Note ----- 693394 Starter-Rewind (Used Before Code Date 08030300). (Rewind Starter Parts Used With 3MM Diameter Starter Rope) 791670 Starter-Rewind (Used Before Code Date 08030300). (Rewind Starter Parts Used With 5MM Diameter Starter Rope)	663	699206	Screw (Control Panel)	842	691031	Seal-O Ring (Dipstick Tube)
			668	694257	Spacer	847	693617	Dipstick/Tube Assembly ----- Note ----- 790545 Dipstick/Tube Assembly Used on Type No(s). 0326, 0399, 0528, 0560.
			676	393757	Deflector-Muffler	851	493880S	Terminal-Spark Plug
			676B	395700	Deflector-Muffler	863	699229	Bracket-Muffler
			677	690661	Screw (Muffler Deflector)	864	699232	Adapter-Muffler
			689	691855	Spring-Friction	868	★692044	Seal-Valve
			692	690572	Spring-Detent	875	697030	Base-Air Cleaner (High Mount)
			717	693462	Bracket-Air Cleaner	883	★691893	Gasket-Exhaust
			718	690959	Pin-Locating	883A	★692237	Gasket-Exhaust
			725	792874	Shield-Heat	890	790203	Bracket-Support
			728	699632	Screw (Heat Shield)	914	699480	Screw (Rocker Cover) (Bottom)
			741	692565	Gear-Timing	914A	692557	Screw (Rocker Cover) (Top)
			742	692564	Retainer-E Ring	914B	697551	Screw (Rocker Cover) (Center)
			746	790278	Gear-Idler	951	790630	Lever-Choke
			773	694258	Retainer	957	792647	Cap-Fuel Tank (Fresh Start) ----- Note ----- 795027 Cap-Fuel Tank (Text Free)
			799	699202	Screw (Oil Sensor)	958	698180	Valve-Fuel Shut Off
			819	699233	Screw (Muffler Bracket)	961	698304	Screw (Air Cleaner Bracket)
			823	699209	Screw (Muffler Adapter)	967	493537S	Filter-Pre Cleaner (Flat Panel)
			830	694544	Stud-Rocker Arm	967A	273356S	Filter-Pre Cleaner (High Mount)
			832	693583	Guard-Muffler			
			832A	697818	Guard-Muffler			
			832B	696516	Guard-Muffler			
			832D	796240	Guard-Muffler (Used After Code Date 08062400). ----- Note ----- 791600 Guard-Muffler (Used Before Code Date 08062500).			
613	699209	Screw (Muffler)	836	699203	Screw (Muffler Guard)			
613A	699480	Screw (Muffler)	836A	699632	Screw (Muffler Guard)			
613B	697812	Screw (Muffler)	836B	699209	Screw (Muffler Guard)			
615	692576	Retainer-Governor Shaft	836C	699234	Screw (Muffler Guard)			
616	692547	Crank-Governor	836E	699755	Screw (Muffler Guard)			
619	699480	Screw (Cylinder Head Plate)						
621	692310	Switch-Stop						
632	693408	Spring/Link-Mechanical Governor						
633	◆693867	Seal-Choke/Throttle Shaft						
633A	◆691321	Seal-Choke/Throttle Shaft						
635	692076	Boot-Spark Plug						
635A	692927	Boot-Spark Plug						
652	699755	Screw (Support Bracket)						
652A	699480	Screw (Support Bracket)						

★ Included in Engine Gasket Set-Ref. No.358.

● Included in Carburetor Overhaul Kit-Ref. No. 121.

◆ Included in Carburetor Gasket Set-Ref. No. 977.

∅ Included in Valve Gasket Set-Ref. No 1095.

Illustrations cover a range of engines. Parts shown without corresponding text may not be used on your specific engine.

3243-12

Assemblies include all parts shown in frames.

02/02/2009

REF. NO.	PART NO.	DESCRIPTION	REF. NO.	PART NO.	DESCRIPTION	REF. NO.	PART NO.	DESCRIPTION
968	692584	Cover–Air Cleaner (Flat Panel Air Cleaner)	1052	790141	Sensor–Oil	1211	791849	Pulley/Spring Assembly
968A	693460	Cover–Air Cleaner (High Mount)	1058	277040	Operator's Manual			(Spring)
968B	791082	Cover–Air Cleaner (Ultra Low Air Cleaner)	1070	699201	Screw (Flywheel Fan)			(Used After Code Date 08030200).
971	690370	Screw (Air Cleaner Base)	1095	791798	Gasket Set–Valve			----- Note -----
971A	690349	Screw (Air Cleaner Base)	1210	791849	Pulley/Spring Assembly (Pulley) (Used After Code Date 08030200).			498144 Pulley/Spring Assembly (Spring) (Used Before Code Date 08030300).
971B	699629	Screw (Air Cleaner Base)			----- Note -----			Date 08030300). (Rewind Starter Parts Used With 3MM Diameter Starter Rope)
972	694260	Tank–Fuel			498144 Pulley/Spring Assembly (Pulley) (Used Before Code Date 08030300).			(Rewind Starter Parts Used With 3MM Diameter Starter Rope)
975	493640	Bowl–Float			(Used Before Code Date 08030300).			791849 Pulley/Spring Assembly (Spring) (Used Before Code Date 08030300).
977	792006	Gasket Set–Carburetor			(Rewind Starter Parts Used With 3MM Diameter Starter Rope)			(Rewind Starter Parts Used With 5MM Diameter Starter Rope)
993	Ø694088	Gasket–Cylinder Head Plate			791849 Pulley/Spring Assembly (Pulley) (Used Before Code Date 08030300).			1305 699691 Screw (Oil Sensor Module)
994	790153	Arrester–Spark			(Rewind Starter Parts Used With 5MM Diameter Starter Rope)			1319 794467 Label–Warning
1005	692592	Fan–Flywheel						1330 272147 Repair Manual
1005A	794273	Fan–Flywheel						
1019	694852	Kit–Label						
1022	★Ø691890	Gasket–Rocker Cover						
1023	499924	Cover–Rocker Arm						
1026	790287	Rod–Push						
1029	691230	Arm–Rocker						
1034	691343	Guide–Push Rod						
1036		Label–Emissions (Available From An Authorized Briggs & Stratton Service Dealer)						

★ Included in Engine Gasket Set–Ref. No.358.

● Included in Carburetor Overhaul Kit–Ref. No. 121.

◆ Included in Carburetor Gasket Set–Ref. No. 977.

Ø Included in Valve Gasket Set–Ref. No 1095.

Illustrations cover a range of engines. Parts shown without corresponding text may not be used on your specific engine.

Not for
Reproduction

Not for
Reproduction

Not for
Reproduction



Free Manuals Download Website

<http://myh66.com>

<http://usermanuals.us>

<http://www.somanuals.com>

<http://www.4manuals.cc>

<http://www.manual-lib.com>

<http://www.404manual.com>

<http://www.luxmanual.com>

<http://aubethermostatmanual.com>

Golf course search by state

<http://golfingnear.com>

Email search by domain

<http://emailbydomain.com>

Auto manuals search

<http://auto.somanuals.com>

TV manuals search

<http://tv.somanuals.com>