



Illustrated Parts List

Model Series

12S900

TYPE NUMBERS
0100 through 2732.

TABLE OF CONTENTS

| | |
|-----------------------------------|----|
| Air Cleaner | 8 |
| Alternator | 11 |
| Blower Housing | 5 |
| Camshaft | 2 |
| Carburetor | 9 |
| Carburetor Overhaul Kit | 9 |
| Controls | 10 |
| Covers/Guards | 5 |
| Crankshaft | 2 |
| Cylinder | 2 |
| Cylinder Head | 3 |
| Electric Starter | 11 |
| Exhaust System | 7 |
| Flywheel | 5 |
| Fuel Supply | 6 |
| Gasket Set - Engine | 4 |
| Gasket Set - Valve | 3 |
| Governor Spring | 10 |
| Ignition | 11 |
| Lubrication | 6 |
| Operator's Manual | 2 |
| Piston/Rings/Connecting Rod | 2 |
| Rewind Starter | 5 |
| Sump | 4 |
| Thermostat | 10 |
| Valves | 3 |
| Warning Label | 2 |

Not for reproduction



PRINTED IN U.S.A.

COPYRIGHT by BRIGGS & STRATTON CORPORATION
All rights reserved. No part of this material may be reproduced or transmitted, in any form or by any means, electronic or mechanical, including photocopying, recording or by any information storage and retrieval system, without permission in writing from Briggs & Stratton Corporation.

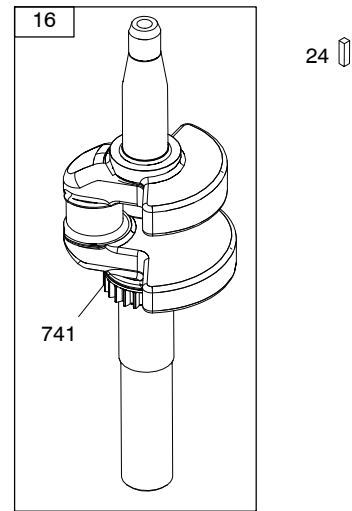
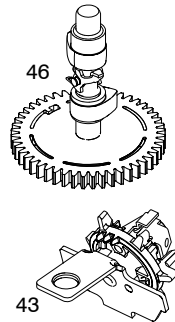
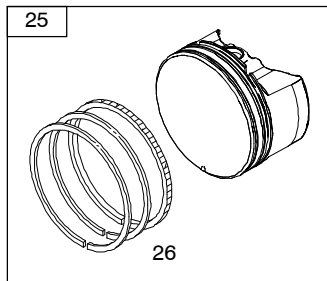
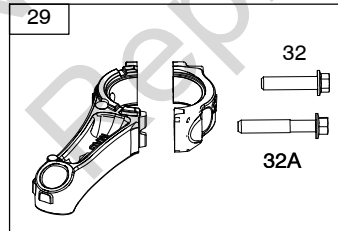
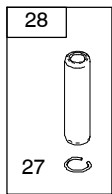
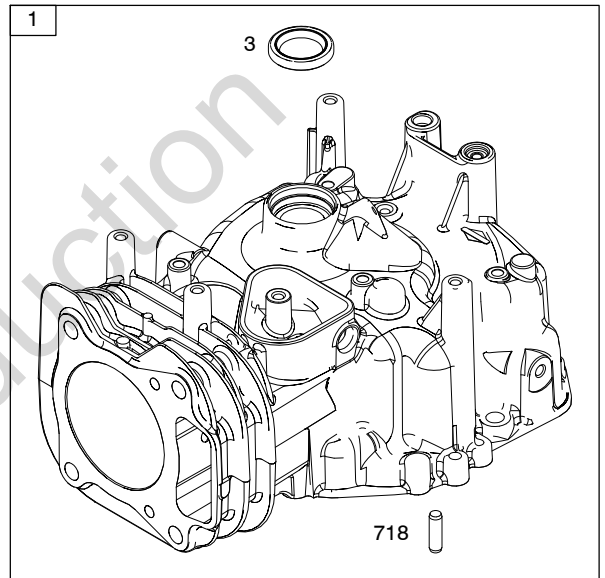
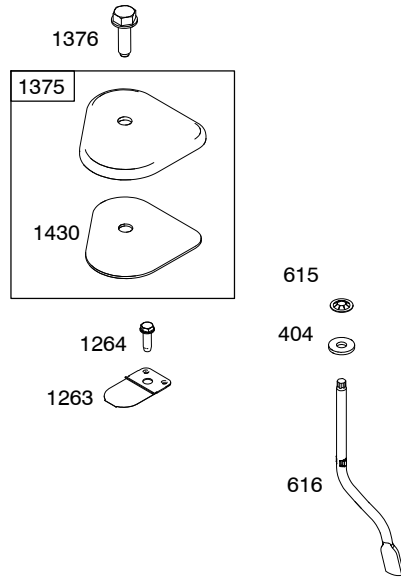
1319 WARNING LABEL

REQUIRED when replacing parts with warning labels affixed.

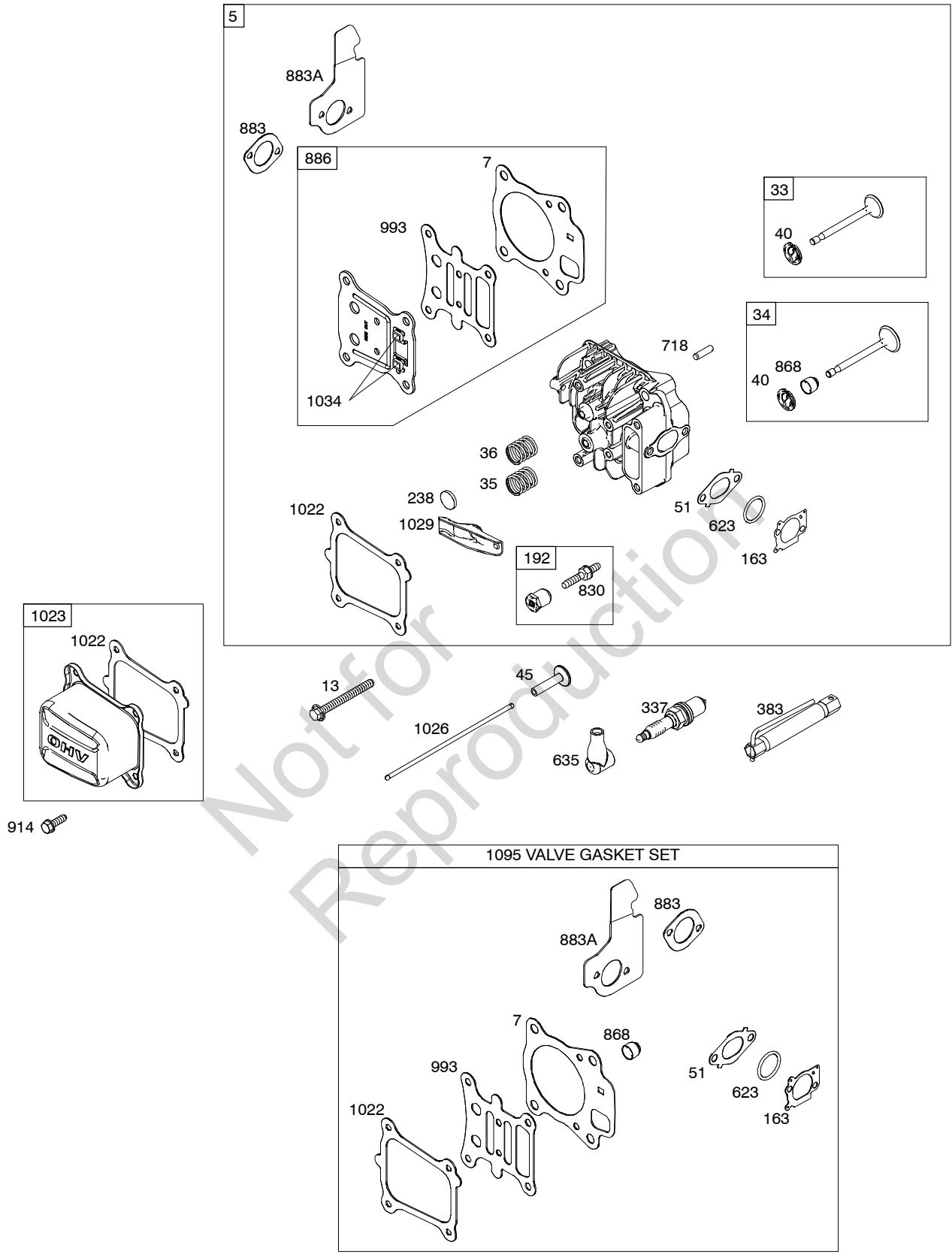
1036 EMISSIONS LABEL

1058 OPERATOR'S MANUAL

1330 REPAIR MANUAL



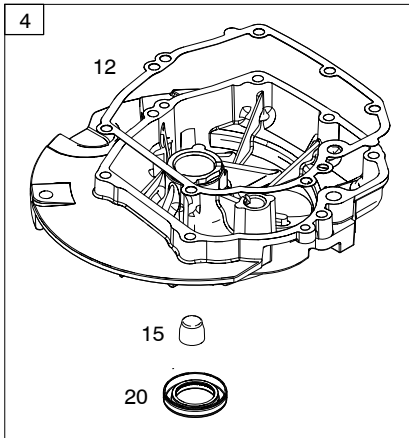
Illustrations cover a range of engines. Parts shown without text may not be used on your specific engine.



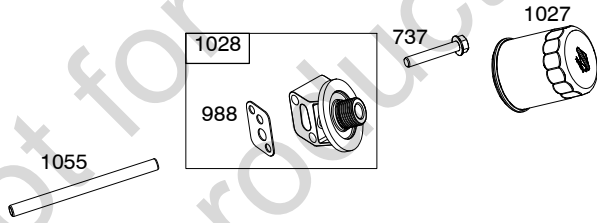
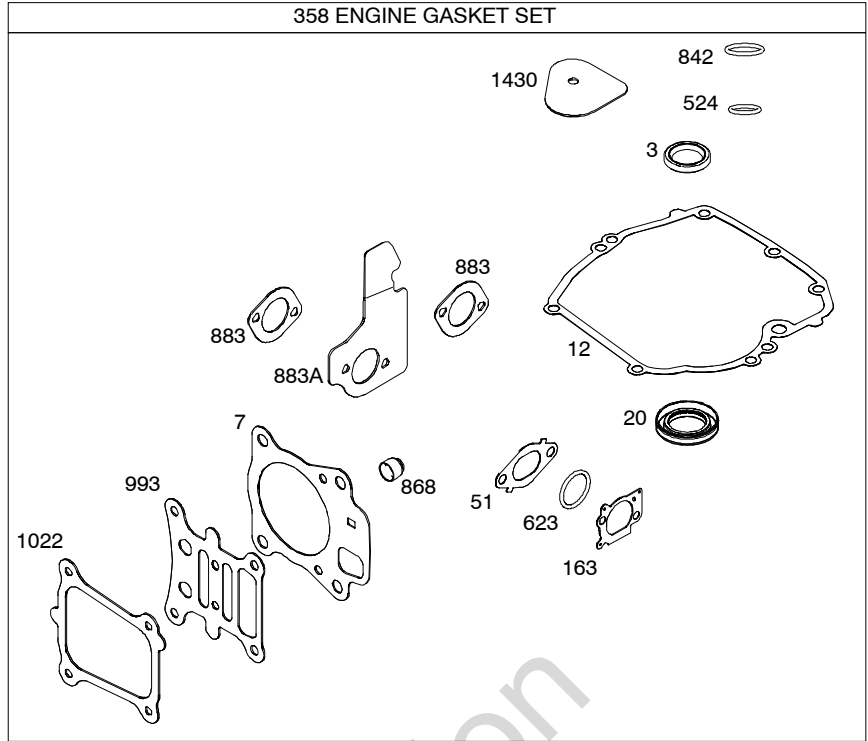
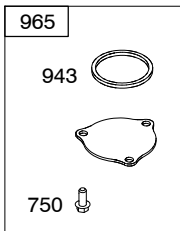
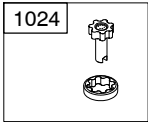
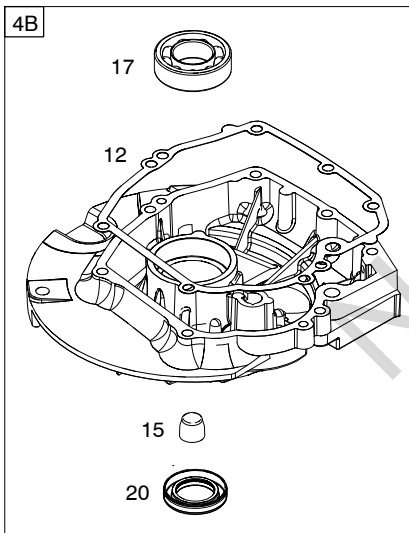
Illustrations cover a range of engines. Parts shown without text may not be used on your specific engine.

12S900

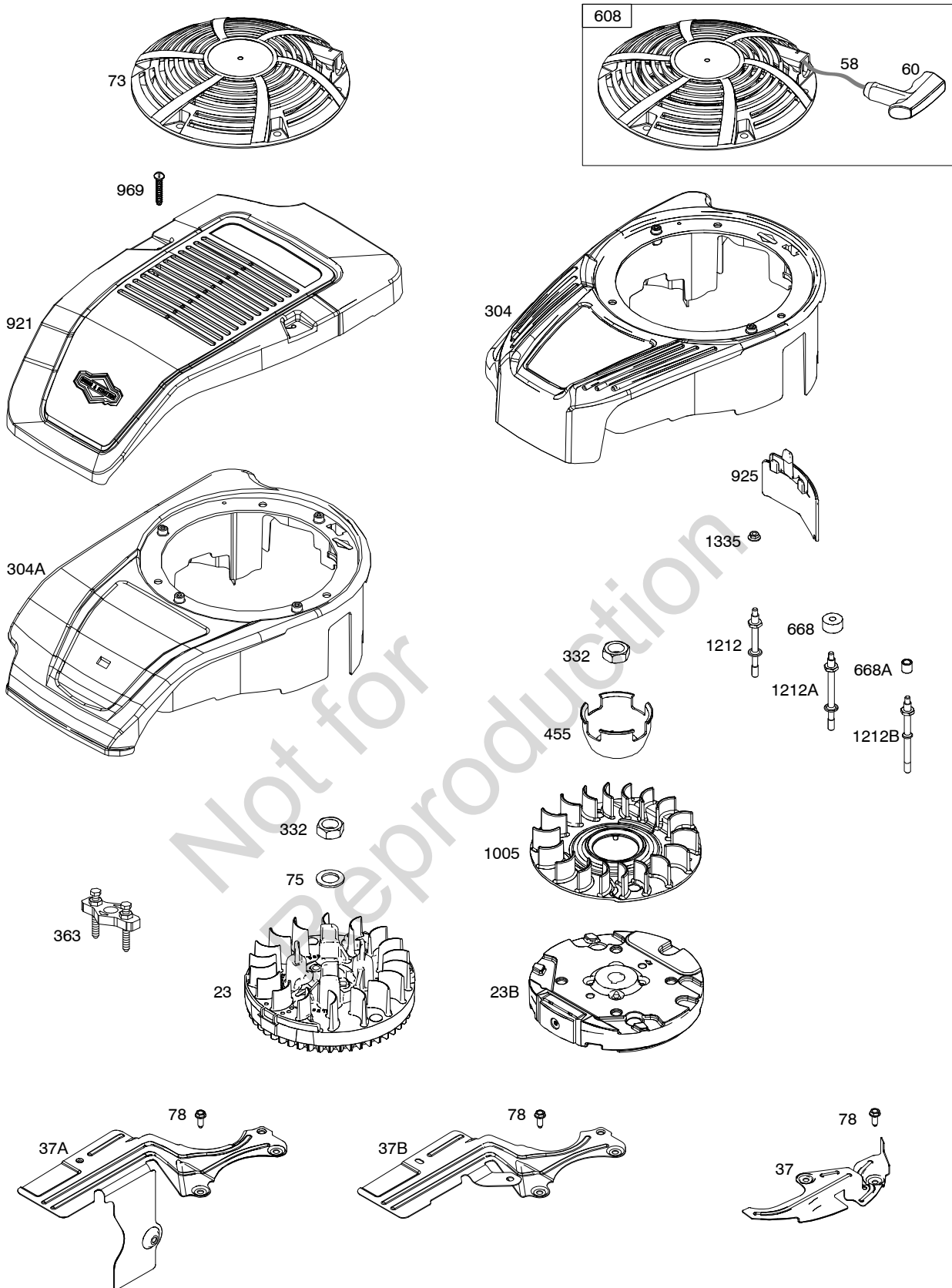
718 



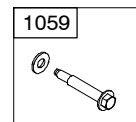
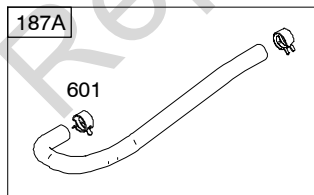
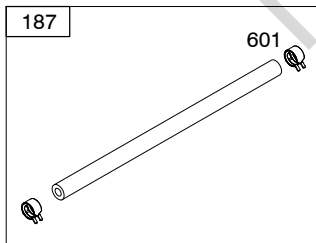
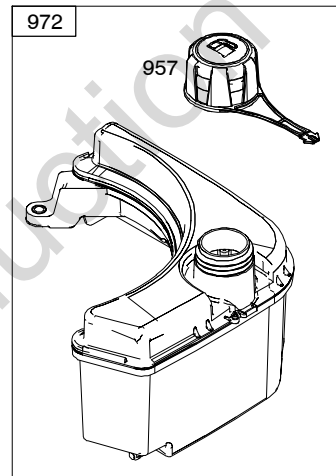
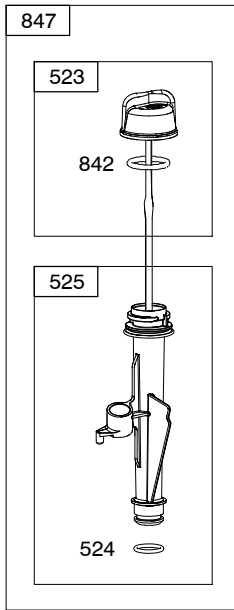
718 



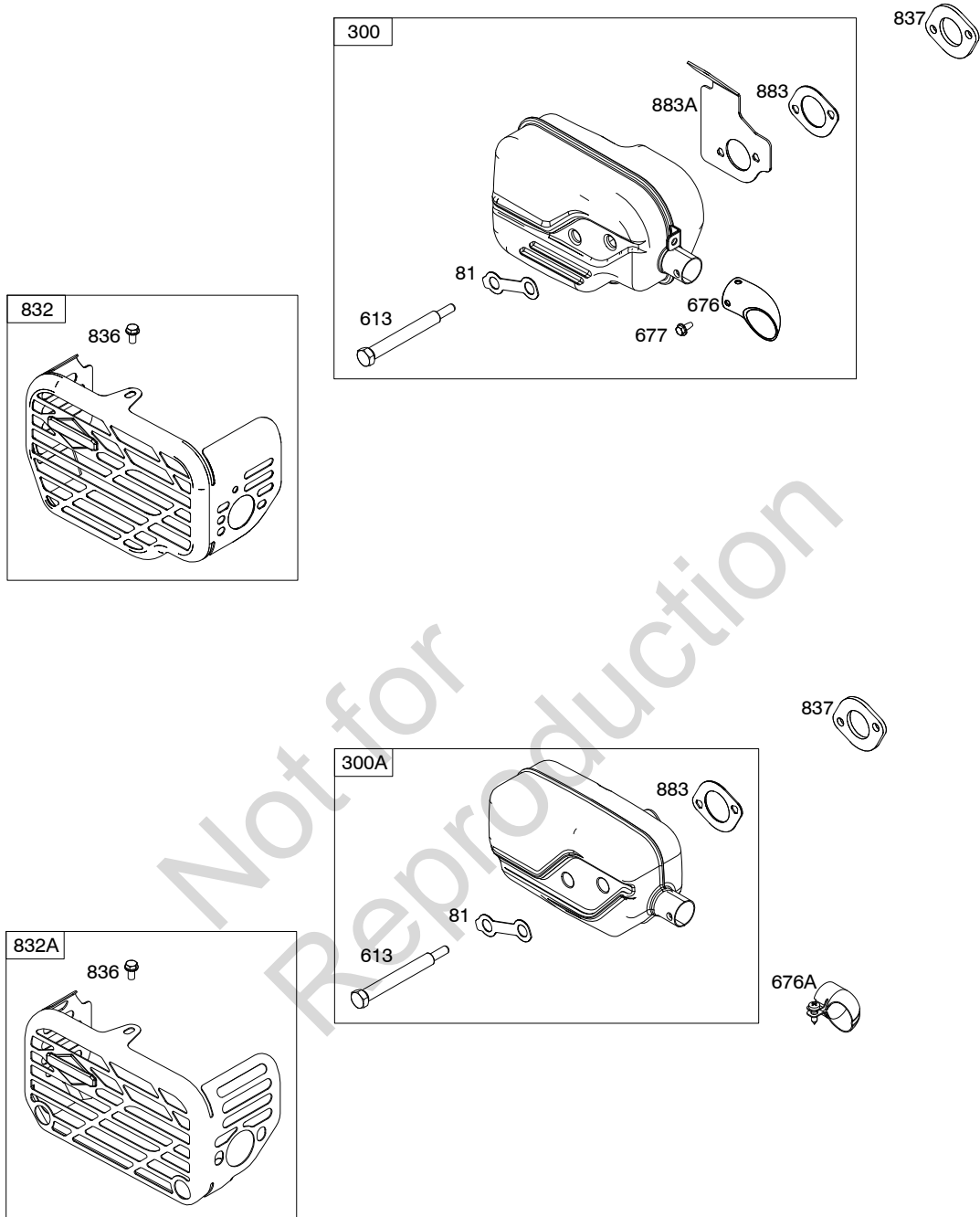
Illustrations cover a range of engines. Parts shown without text may not be used on your specific engine.



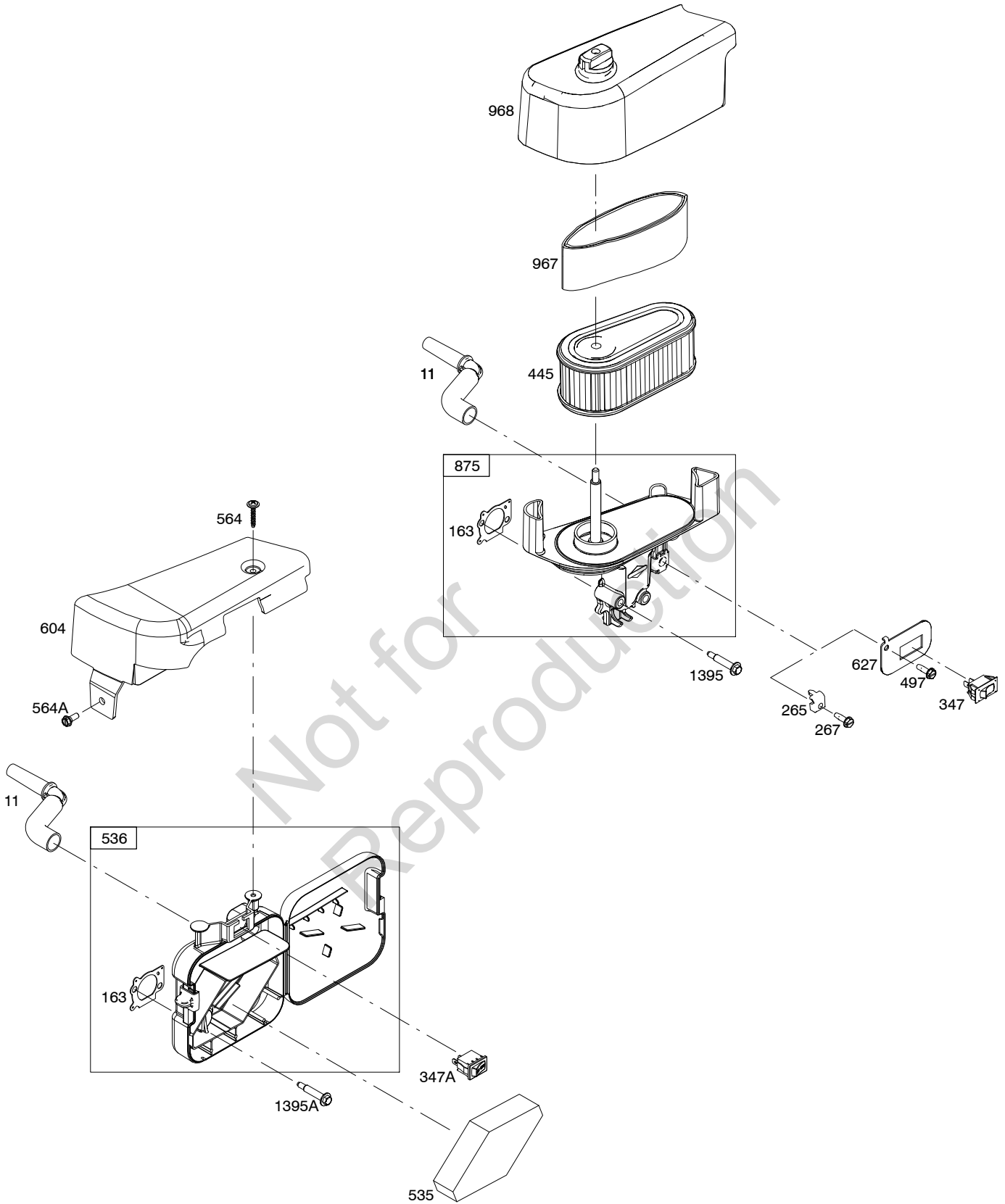
Illustrations cover a range of engines. Parts shown without text may not be used on your specific engine.



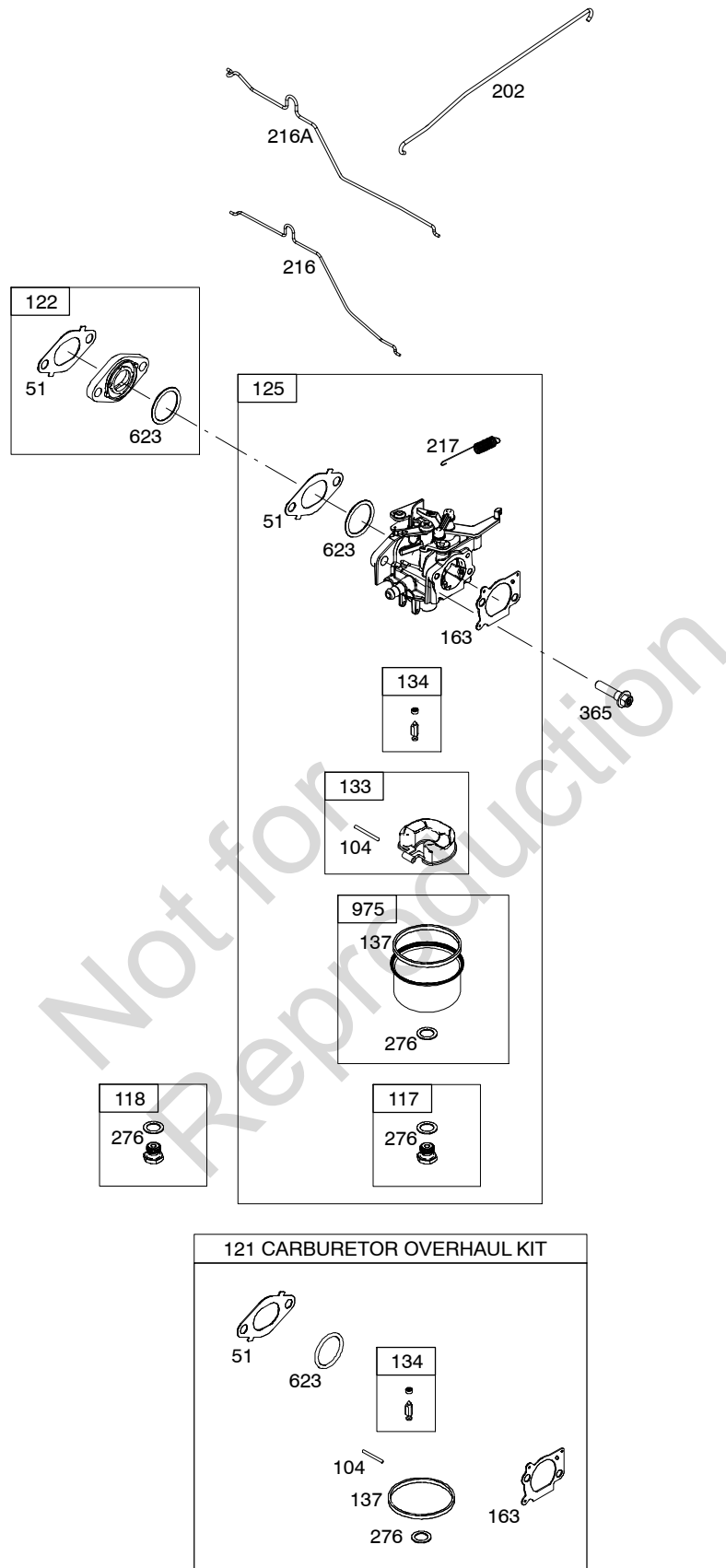
Illustrations cover a range of engines. Parts shown without text may not be used on your specific engine.



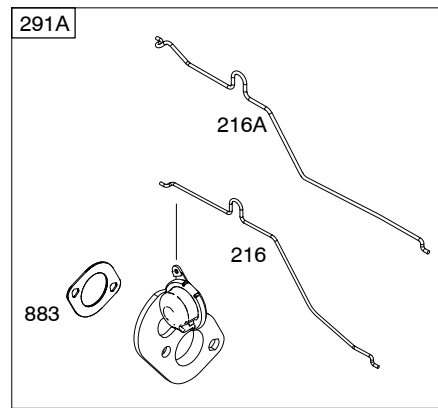
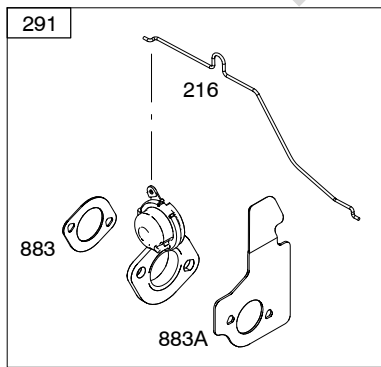
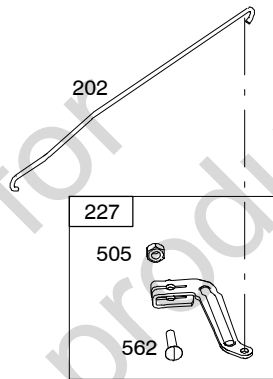
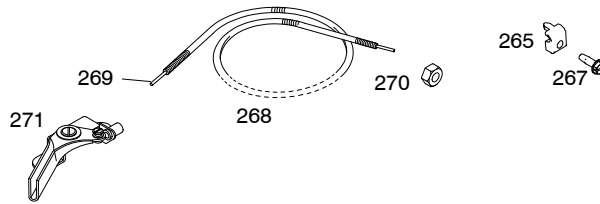
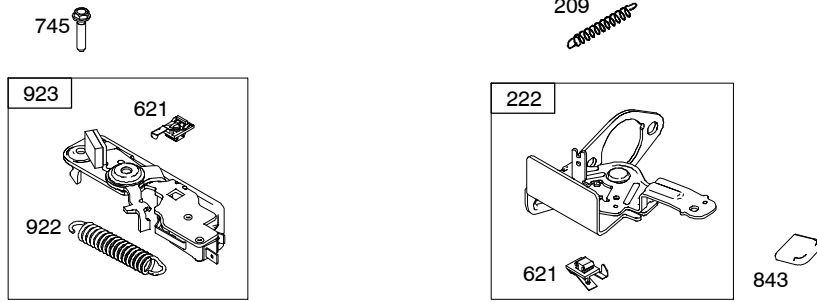
Illustrations cover a range of engines. Parts shown without text may not be used on your specific engine.



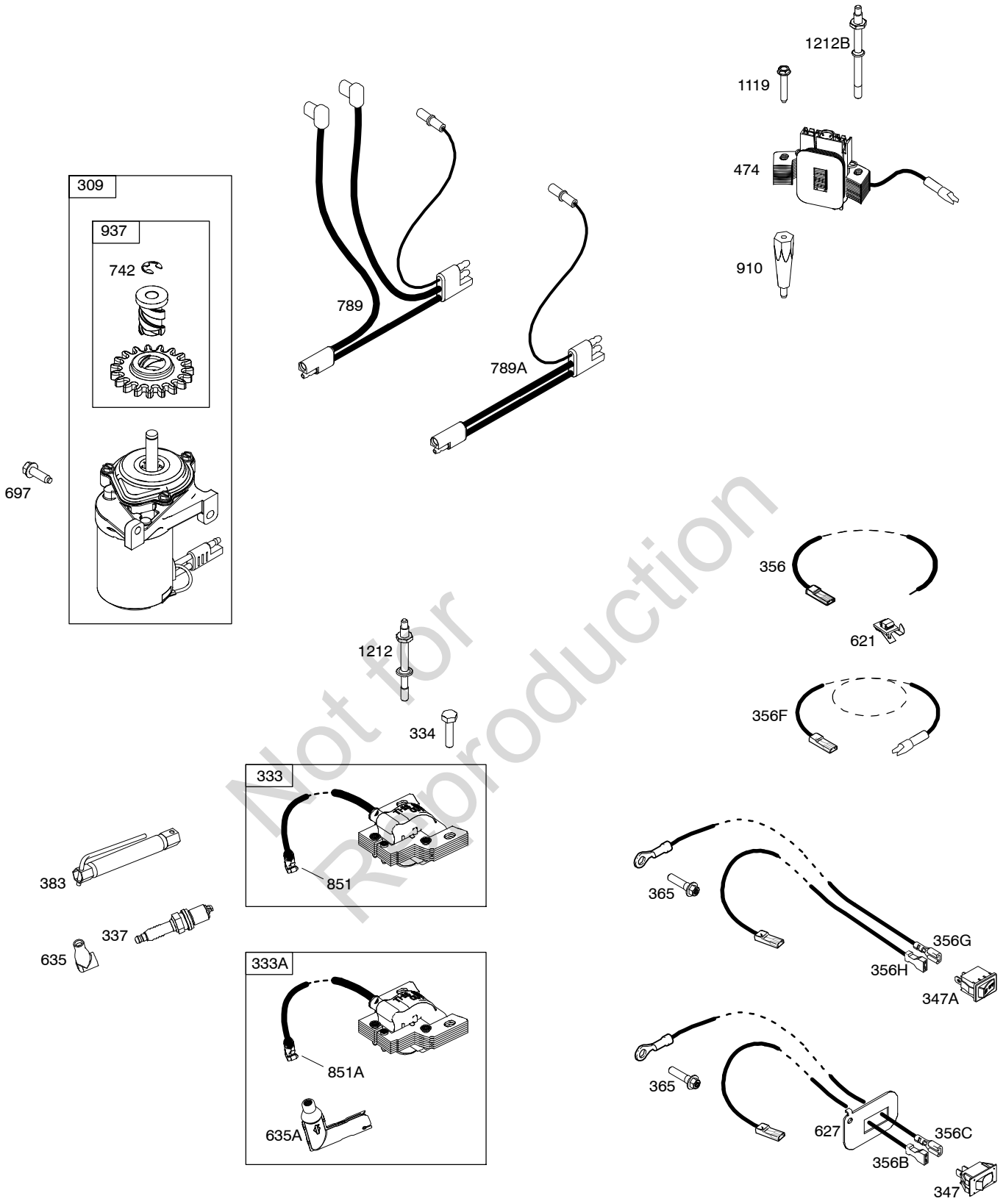
Illustrations cover a range of engines. Parts shown without text may not be used on your specific engine.



Illustrations cover a range of engines. Parts shown without text may not be used on your specific engine.



Illustrations cover a range of engines. Parts shown without text may not be used on your specific engine.



Illustrations cover a range of engines. Parts shown without text may not be used on your specific engine.

12S900

| REF. NO. | PART NO. | DESCRIPTION | REF. NO. | PART NO. | DESCRIPTION | REF. NO. | PART NO. | DESCRIPTION |
|----------|----------|--|----------|----------|---|----------|----------|---|
| 1 | 798947 | Cylinder Assembly | 16 | 796467 | Crankshaft | 23 | 796619 | Flywheel |
| 3 | 299819S | Seal-Oil (Magneto Side) | | | Used on Type No(s). 0123, 0139, 0142, 0143, 0145, 0148, 1411, 1463, 1473, 2139, 2411, 2463. | | | (Aluminum) Used on Type No(s). 0100, 0124, 0126, 0127, 0129, 0132, 0134, 0135, 0136, 0137, 0140, 0141, 0144, 0146, 0149, 0150, 0152, 0153, 0154, 0156, 0161, 0162, 0707, 0732, 1257, 1368, 1369, 1563, 1564, 1567, 2127, 2129, 2141, 2144, 2145, 2732. |
| 4 | 493279 | Sump-Engine Used on Type No(s). 0100, 0124, 0126, 0127, 0128, 0129, 0130, 0135, 0139, 0140, 0141, 0142, 0143, 0145, 0148, 0150, 0155, 0158, 0159, 0160, 0163, 0707, 0732, 1257, 1368, 1369, 1411, 1463, 1473, 1563, 1564, 1567, 2127, 2128, 2129, 2139, 2141, 2411, 2463, 2732. | | | ----- Note ----- 796468 Crankshaft Used on Type No(s). 0124, 0126, 0127, 0129, 0132, 0134, 0136, 0137, 0140, 0141, 0144, 0146, 0149, 0152, 0153, 0154, 0156, 0161, 0162, 1257, 1368, 1369, 1563, 1564, 1567, 2127, 2129, 2141, 2144, 2145. | | | ----- Note ----- 797386 Flywheel (Zinc) Used on Type No(s). 0130, 1411, 1463, 1473, 2411, 2463. |
| | | ----- Note ----- 498983 Sump-Engine Used on Type No(s). 0121, 0122, 0123, 0151. | | | 796469 Crankshaft Used on Type No(s). 0100, 0121, 0122, 0128, 0150, 0160, 0707, 0732, 2128, 2732. | 23B | 796623 | Flywheel (Cast Iron) Used on Type No(s). 0121, 0122, 0123, 0128, 0139, 0142, 0143, 0145, 0148, 0151, 0155, 0158, 0159, 0160, 0163, 2128, 2139. |
| 4B | 692509 | Sump-Engine Used on Type No(s). 0132, 0134, 0136, 0137, 0144, 0146, 0149, 0152, 0153, 0154, 0156, 0161, 0162, 2144, 2145. | | | 796924 Crankshaft Used on Type No(s). 0151. | | | 24 222698S Key-Flywheel |
| 5 | 796471 | Head-Cylinder | | | 797107 Crankshaft Used on Type No(s). 0130. | | | 25 797302 Piston Assembly (Standard) |
| 7 | 796475 | Gasket-Cylinder Head | | | 797909 Crankshaft Used on Type No(s). 0135. | | | ----- Note ----- 797303 Piston Assembly (.020" Oversize) |
| 11 | 796478 | Tube-Breather | | | 799337 Crankshaft Used on Type No(s). 0155, 0158, 0159, 0163. | | | |
| 12 | 692232 | Gasket-Crankcase | | | | | | |
| 13 | 793451 | Screw (Cylinder Head) | 17 | 692517 | Bearing-Ball Used on Type No(s). 0132, 0134, 0136, 0137, 0144, 0146, 0149, 0152, 0153, 0154, 0156, 0161, 0162, 2144, 2145. | | | |
| 15 | 691680 | Plug-Oil Drain (Square Socket) | | | | | | |
| | | | 20 | 399781S | Seal-Oil (PTO Side) | | | |
| | | | 22 | 691092 | Screw (Crankcase Cover/Sump) | | | |

Illustrations cover a range of engines. Parts shown without corresponding text may not be used on your specific engine.
10054-12 Assemblies include all parts shown in frames. 02/01/2011

| REF. NO. | PART NO. | DESCRIPTION | REF. NO. | PART NO. | DESCRIPTION | REF. NO. | PART NO. | DESCRIPTION |
|----------|----------|---|----------|----------|---|----------|----------|--|
| 26 | 797304 | Ring Set (Standard) (Used After Code Date 09041900). ----- Note ----- 796641 Ring Set (Standard) (Used Before Code Date 09042000). 797305 Ring Set (.020" Oversize) (Used After Code Date 09041900). 796642 Ring Set (.020" Oversize) (Used Before Code Date 09042000). | 37A | 796534 | Guard-Flywheel Used on Type No(s). 0100, 0121, 0122, 0123, 0124, 0126, 0128, 0129, 0135, 0137, 0139, 0140, 0141, 0142, 0143, 0145, 0148, 0150, 0151, 1368. ----- Note ----- 796535 Guard- Flywheel Used on Type No(s). 0127, 0130, 0132, 0134, 0136, 0144, 0146, 0149, 0707, 0732, 1257, 1369, 1411, 1463, 1473. | 40 | 692194 | Retainer-Valve |
| 27 | 691588 | Lock-Piston Pin | 37B | 799155 | Guard-Flywheel Used on Type No(s). 0152, 0154, 0155, 0158, 0159, 0160, 0163, 1563, 1567, 2128, 2129, 2139. | 43 | 796650 | Slinger-Governor/Oil Used on Type No(s). 0100, 0121, 0122, 0123, 0124, 0126, 0127, 0128, 0129, 0130, 0135, 0139, 0140, 0141, 0142, 0143, 0145, 0148, 0150, 0151, 0155, 0158, 0159, 0160, 0163, 0707, 0732, 1257, 1368, 1369, 1411, 1463, 1473, 1563, 1564, 1567, 2127, 2128, 2129, 2139, 2141, 2411, 2463, 2732. |
| 28 | 298909 | Pin-Piston | | | ----- Note ----- 796525 Slinger- Governor/Oil Used on Type No(s). 0132, 0134, 0136, 0137, 0144, 0146, 0149, 0152, 0153, 0154, 0156, 0161, 0162, 2144, 2145. | | | |
| 29 | 796470 | Rod-Connecting | | | | | | |
| 32 | 691664 | Screw (Connecting Rod) | | | | | | |
| 32A | 695759 | Screw (Connecting Rod) | | | | | | |
| 33 | 499642 | Valve-Exhaust | | | | | | |
| 34 | 795443 | Valve-Intake | | | | | | |
| 35 | 691304 | Spring-Valve (Intake) | | | | | | |
| 36 | 691304 | Spring-Valve (Exhaust) | | | | | | |
| 37 | 796536 | Guard-Flywheel Used on Type No(s). 0100, 0121, 0122, 0123, 0124, 0126, 0127, 0128, 0129, 0130, 0132, 0134, 0135, 0136, 0137, 0139, 0140, 0141, 0142, 0143, 0144, 0145, 0146, 0148, 0149, 0150, 0151, 0152, 0153, 0154, 0155, 0156, 0158, 0159, 0160, 0161, 0162, 0163, 0707, 0732, 1257, 1368, 1369, 1411, 1463, 1473, 1563, 1564, 1567, 2127, 2128, 2129, 2139, 2141, 2144, 2145, 2411, 2463, 2732. | | | | | | |

Illustrations cover a range of engines. Parts shown without corresponding text may not be used on your specific engine.
10054-13 Assemblies include all parts shown in frames. 02/01/2011

12S900

| REF. NO. | PART NO. | DESCRIPTION | REF. NO. | PART NO. | DESCRIPTION | REF. NO. | PART NO. | DESCRIPTION |
|----------|----------|---------------------|----------|----------|---------------------|----------|----------|-----------------------|
| 45 | 690977 | Tappet-Valve | 81 | 691740 | Lock-Muffler Screw | 118 | 494870 | Jet-Main |
| 46 | 694039 | Camshaft | 104 | 797622 | Pin-Float Hinge | | | (High Altitude) |
| | | Used on Type No(s). | 117 | 697355 | Jet-Main | | | Used on Type No(s). |
| | | 0100, 0121, 0122, | | | (Standard) | | | 0100, 0121, 0122, |
| | | 0123, 0124, 0126, | | | Used on Type No(s). | | | 0123, 0124, 0126, |
| | | 0127, 0128, 0129, | | | 0100, 0121, 0122, | | | 0127, 0128, 0129, |
| | | 0130, 0135, 0139, | | | 0123, 0124, 0126, | | | 0130, 0132, 0134, |
| | | 0140, 0141, 0142, | | | 0127, 0128, 0129, | | | 0135, 0136, 0137, |
| | | 0143, 0145, 0148, | | | 0130, 0132, 0134, | | | 0139, 0140, 0141, |
| | | 0150, 0151, 0155, | | | 0135, 0136, 0137, | | | 0142, 0143, 0144, |
| | | 0158, 0159, 0160, | | | 0139, 0140, 0141, | | | 0145, 0146, 0148, |
| | | 0163, 0707, 0732, | | | 0142, 0143, 0144, | | | 0149, 0150, 0151, |
| | | 1257, 1368, 1369, | | | 0145, 0146, 0148, | | | 0152, 0153, 0154, |
| | | 1411, 1463, 1473, | | | 0149, 0150, 0151, | | | 0156, 0161, 0162, |
| | | 1563, 1564, 1567, | | | 0152, 0153, 0154, | | | 0707, 0732, 1257, |
| | | 2127, 2128, 2129, | | | 0156, 0161, 0162, | | | 1368, 1369, 1411, |
| | | 2139, 2141, 2411, | | | 0707, 0732, 1257, | | | 1463, 1473, 1563, |
| | | 2463, 2732. | | | 1368, 1369, 1411, | | | 1564, 1567, 2127, |
| | | ----- Note ----- | | | 1463, 1473, 1563, | | | 2128, 2129, 2139, |
| | | 694040 Camshaft | | | 1564, 1567, 2127, | | | 2141, 2144, 2145, |
| | | Used on Type No(s). | | | 2128, 2129, 2139, | | | 2411, 2463, 2732. |
| | | 0132, 0134, 0136, | | | 2141, 2144, 2145, | | | ----- Note ----- |
| | | 0137, 0144, 0146, | | | 2411, 2463, 2732. | | | 799604 Jet-Main |
| | | 0149, 0152, 0153, | | | ----- Note ----- | | | (High Altitude) |
| | | 0154, 0156, 0161, | | | 799178 Jet-Main | | | Used on Type No(s). |
| | | 0162, 2144, 2145. | | | (Standard) | | | 0155, 0158, 0159, |
| 51 | 796596 | Gasket-Intake | | | Used on Type No(s). | | | 0160, 0163. |
| 58 | 697316 | Rope-Starter | | | 0155, 0158, 0159, | 121 | 796612 | Kit-Carburetor |
| | | (Cut to Required | | | 0160, 0163. | | | Overhaul |
| | | Length) | | | | | | ----- Note ----- |
| 60 | 281434S | Grip-Starter Rope | | | | | | 799235 Kit-Carburetor |
| 73 | 798337 | Screen-Rotating | | | | | | Overhaul |
| | | Used on Type No(s). | | | | | | Used on Type No(s). |
| | | 0141, 2141. | | | | | | 0155, 0158, 0159, |
| 75 | 691736 | Washer | | | | | | 0160, 0163. |
| | | (Flywheel) | | | | | | |
| | | Used on Type No(s). | | | | | | |
| | | 0100, 0124, 0126, | | | | | | |
| | | 0127, 0129, 0130, | | | | | | |
| | | 0132, 0134, 0135, | | | | | | |
| | | 0136, 0137, 0140, | | | | | | |
| | | 0141, 0144, 0146, | | | | | | |
| | | 0149, 0150, 0152, | | | | | | |
| | | 0153, 0154, 0156, | | | | | | |
| | | 0161, 0162, 0707, | | | | | | |
| | | 0732, 1257, 1368, | | | | | | |
| | | 1369, 1411, 1463, | | | | | | |
| | | 1473, 1563, 1564, | | | | | | |
| | | 1567, 2127, 2129, | | | | | | |
| | | 2141, 2144, 2145, | | | | | | |
| | | 2411, 2463, 2732. | | | | | | |
| 78 | 793480 | Screw | | | | | | |
| | | (Flywheel Guard) | | | | | | |

Illustrations cover a range of engines. Parts shown without corresponding text may not be used on your specific engine.
 10054-14 Assemblies include all parts shown in frames. 02/01/2011

| REF. NO. | PART NO. | DESCRIPTION | REF. NO. | PART NO. | DESCRIPTION | REF. NO. | PART NO. | DESCRIPTION | | |
|----------|----------|---|----------|----------|---|---------------------------|--|---|-----------|---|
| 122 | 796595 | Spacer-Carburetor | 192 | 796631 | Adjuster-Rocker Arm | 216A | 798944 | Link-Choke | | |
| 125 | 796608 | Carburetor | 202 | 796657 | Link-Mechanical Governor | | | Used on Type No(s). 0155, 0158, 0159, 0160, 0163. | | |
| | | Used on Type No(s). 0100, 0121, 0122, 0123, 0124, 0126, 0127, 0128, 0129, 0130, 0132, 0134, 0135, 0136, 0137, 0140, 0141, 0142, 0143, 0144, 0145, 0146, 0148, 0149, 0152, 0153, 0154, 0156, 0161, 0162, 0150, 0151, 0707, 0732, 1257, 1368, 1369, 1411, 1463, 1473, 1563, 1564, 1567, 2127, 2128, 2129, 2139, 2141, 2144, 2145, 2411, 2463, 2732. | 209 | 793604 | Spring-Governor Used on Type No(s). 0121, 0122, 0123, 0142, 0143, 0145, 0148, 0150, 0151, 0155, 0158, 0159, 0163. | 217 | 798900 | Spring-Choke Return ----- Note ----- 799179 Spring-Choke Return Used on Type No(s). 0155, 0158, 0159, 0160, 0163. | | |
| | | ----- Note ----- 797736 Carburetor Used on Type No(s). 0139, 2139. 799027 Carburetor Used on Type No(s). 0155, 0158, 0159, 0160, 0163. | | | ----- Note ----- 796483 Spring-Governor Used on Type No(s). 0124, 0130, 0135, 0136, 0146, 0161. 796484 Spring-Governor Used on Type No(s). 0100, 0128, 0132, 0134, 0141, 0144, 0149, 0156, 0162, 0707, 0732, 1257, 1368, 1369, 1411, 1463, 1473, 1563, 1564, 1567, 2128, 2141, 2144, 2145, 2411, 2463, 2732. 796926 Spring-Governor Used on Type No(s). 0126, 0127, 0129, 0137, 0139, 0140, 0152, 0153, 0154, 0160, 2127, 2129, 2139. | 222 | 796482 | Bracket-Control (Manual Friction, Remote, & Fixed Speed Control) | | |
| 133 | 398187 | Float-Carburetor ----- Note ----- 797626 Float-Carburetor Used on Type No(s). 0155, 0158, 0159, 0160, 0163. | | | 796487 | Lever-Governor Control | 238 | 691300 | Cap-Valve | |
| 134 | 398188 | Kit-Needle/Seat ----- Note ----- 799177 Kit-Needle/Seat Used on Type No(s). 0155, 0158, 0159, 0160, 0163. | 216 | 796485 | Link-Choke Used on Type No(s). 0100, 0121, 0122, 0123, 0124, 0126, 0127, 0128, 0129, 0130, 0132, 0134, 0135, 0136, 0137, 0140, 0141, 0142, 0143, 0144, 0145, 0146, 0148, 0149, 0150, 0151, 0152, 0153, 0154, 0156, 0161, 0162, 0707, 0732, 1257, 1368, 1369, 1411, 1463, 1473, 1563, 1564, 1567, 2127, 2128, 2129, 2141, 2144, 2145, 2411, 2463, 2732. | 240 | 298090S | Filter-Fuel Used on Type No(s). 0130, 1567. | | |
| 137 | 796610 | Gasket-Float Bowl ----- Note ----- 797625 Gasket-Float Bowl Used on Type No(s). 0155, 0158, 0159, 0160, 0163. | | | 265 | 690798 | Clamp-Casing ----- Note ----- 691024 Clamp-Casing Used on Type No(s). 0130. | 267 | 691044 | Screw (Casing Clamp) |
| 163 | 691894 | Gasket-Air Cleaner | | | 268 | 691025 | Casing-Control Wire (Cut To Required Length) | 269 | 691026 | Wire-Control (Cut To Required Length) |
| 187 | 791766 | Line-Fuel (Cut To Required Length) | | | 270 | 691027 | Nut (Control Wire Casing) | 271 | 691028 | Lever-Control |
| 187A | 796491 | Line-Fuel (Formed Hose) | | | 276 | 271716 | Washer-Sealing ----- Note ----- 797632 Washer-Sealing Used on Type No(s). 0155, 0158, 0159, 0160, 0163. | | | |

Illustrations cover a range of engines. Parts shown without corresponding text may not be used on your specific engine.
10054-15 Assemblies include all parts shown in frames. 02/01/2011

12S900

| REF. NO. | PART NO. | DESCRIPTION | REF. NO. | PART NO. | DESCRIPTION | REF. NO. | PART NO. | DESCRIPTION |
|-------------|---------------|--|------------|---------------|--|-------------|---------------|---|
| 291 | 796486 | Thermostat Used on Type No(s). 0100, 0121, 0122, 0123, 0124, 0126, 0127, 0128, 0129, 0130, 0132, 0134, 0135, 0136, 0137, 0140, 0141, 0142, 0143, 0144, 0145, 0146, 0148, 0149, 0150, 0151, 0707, 0732, 1257, 1368, 1369, 1411, 1463, 1473. | 304 | 796692 | Housing-Blower (Rewind Start) Used on Type No(s). 0100, 0121, 0122, 0123, 0124, 0126, 0128, 0129, 0135, 0137, 0139, 0140, 0142, 0143, 0145, 0148, 0150, 0151, 0152, 0154, 0155, 0158, 0159, 0160, 0163, 1368, 1563, 1567, 2128, 2129, 2139. | 304A | 798333 | Housing- Blower (Electric Start) Used on Type No(s). 0141, 1411, 1463, 1473. ----- Note ----- 799249 Housing- Blower (Electric Start) Used on Type No(s). 2141, 2411, 2463. 799249 Housing- Blower (Electric Start) (Required for use with replacement Starter Motor Ref# 309 799241) Used on Type No(s). 0141, 1411, 1463, 1473. |
| 291A | 798938 | Thermostat Used on Type No(s). 0152, 0153, 0154, 0155, 0156, 0158, 0159, 0160, 0161, 0162, 0163, 1563, 1564, 1567, 2127, 2128, 2129, 2141, 2144, 2145, 2411, 2463, 2732. | | | ----- Note ----- 796693 Housing- Blower (Electric Start) Used on Type No(s). 0127, 0132, 0134, 0136, 0144, 0146, 0149, 0707, 0732, 1257, 1369. 797384 Housing- Blower (Electric Start) Used on Type No(s). 0130. 798945 Housing- Blower (Electric Start) Used on Type No(s). 0153, 0156, 0161, 0162, 1564, 2127, 2144, 2145, 2732. 798945 Housing- Blower (Electric Start) (Required for use with replacement Starter Motor Ref# 309 799241) Used on Type No(s). 0127, 0132, 0134, 0136, 0144, 0146, 0149, 0707, 0732, 1257, 1369. 798946 Housing- Blower (Required for use with replacement Starter Motor Ref# 309 799241) (Electric Start) Used on Type No(s). 0130. | | | |
| 300 | 796495 | Muffler-Exhaust Used on Type No(s). 0100, 0121, 0122, 0123, 0124, 0126, 0127, 0128, 0129, 0130, 0132, 0134, 0135, 0136, 0137, 0139, 0140, 0141, 0142, 0143, 0144, 0145, 0146, 0148, 0149, 0150, 0151, 0707, 0732, 1257, 1368, 1369, 1411, 1463, 1473. | | | | | | |
| 300A | 798940 | Muffler-Exhaust Used on Type No(s). 0152, 0153, 0154, 0155, 0156, 0158, 0159, 0160, 0161, 0162, 0163, 1563, 1564, 1567, 2127, 2128, 2129, 2139, 2141, 2144, 2145, 2411, 2463, 2732. | | | | | | |

Illustrations cover a range of engines. Parts shown without corresponding text may not be used on your specific engine.
10054-16 Assemblies include all parts shown in frames. 02/01/2011

| REF. NO. | PART NO. | DESCRIPTION | REF. NO. | PART NO. | DESCRIPTION | REF. NO. | PART NO. | DESCRIPTION |
|------------|---------------|---|-------------|---------------|---|-------------|---------------|--|
| 309 | 799241 | Motor-Starter Used on Type No(s). 0153, 0156, 0161, 0162, 1564, 2127, 2141, 2144, 2145, 2411, 2463, 2732. ----- Note ----- 799241 Motor-Starter (Requires Blower Housing Ref# 304 798945 and Flywheel Guard Ref# 37B 799242) Used on Type No(s). 0127, 0132, 0134, 0136, 0144, 0146, 0149, 0707, 0732, 1257, 1369. 799241 Motor-Starter (Requires Blower Housing Ref# 304 798946 and Flywheel Guard Ref# 37B 799242) Used on Type No(s). 0130. 799241 Motor-Starter (Requires Blower Housing Ref# 304A 799249 and Flywheel Guard Ref# 37B 799242) Used on Type No(s). 0141, 1411, 1463, 1473. | 333 | 796499 | Armature-Magneto Used on Type No(s). 0100, 0124, 0126, 0127, 0129, 0132, 0134, 0135, 0136, 0137, 0140, 0141, 0144, 0146, 0149, 0150, 0152, 0153, 0154, 0156, 0161, 0162, 0707, 0732, 1257, 1368, 1369, 2127, 2129, 2141, 2144, 2145, 2411, 2732. ----- Note ----- 796500 Armature- Magneto Used on Type No(s). 0121, 0122, 0123, 0128, 0130, 0139, 0142, 0143, 0145, 0148, 0151, 0155, 0158, 0159, 0160, 0163, 1411, 1463, 1473, 2128, 2139, 2463. | 337 | 692051 | Plug-Spark Used on Type No(s). 0100, 0121, 0122, 0123, 0126, 0127, 0129, 0132, 0139, 0141, 0142, 0143, 0144, 0145, 0150, 0151, 0152, 0153, 0153, 0155, 0158, 0159, 0707, 0732, 1257, 1411, 1563, 1564, 1567, 2127, 2129, 2139, 2141, 2144, 2145, 2411, 2732. ----- Note ----- 692720 Plug-Spark Used on Type No(s). 0124, 0128, 0130, 0134, 0135, 0136, 0137, 0140, 0146, 0148, 0149, 0154, 0156, 0160, 0161, 0162, 0163, 1368, 1369, 1463, 1473, 2128, 2463. |
| 332 | 690662 | Nut (Flywheel) | 333A | 799645 | Armature-Magneto Used on Type No(s). 1563, 1564, 1567. | 347 | 795333 | Switch-Rocker Used on Type No(s). 0121, 0122, 0123, 0142, 0143, 0145, 0148, 0151. |
| | | | 334 | 793454 | Screw (Magneto Armature) | 347A | 798939 | Switch-Rocker Used on Type No(s). 0155, 0158, 0159, 0160, 0163. |

Illustrations cover a range of engines. Parts shown without corresponding text may not be used on your specific engine.
10054-17 Assemblies include all parts shown in frames. 02/01/2011

12S900

| REF. NO. | PART NO. | DESCRIPTION | REF. NO. | PART NO. | DESCRIPTION | REF. NO. | PART NO. | DESCRIPTION |
|-------------|---------------|--|------------|---------------|---|-------------|---------------|--|
| 356 | 692390 | Wire-Stop Used on Type No(s). 0100, 0124, 0126, 0127, 0128, 0129, 0132, 0134, 0135, 0136, 0137, 0139, 0140, 0141, 0144, 0146, 0149, 0150, 0152, 0153, 0154, 0156, 0161, 0162, 0707, 0732, 1257, 1368, 1369, 1563, 1564, 1567, 2127, 2128, 2129, 2139, 2141, 2144, 2145, 2732. | 445 | 795066 | Filter-Air Cleaner Cartridge | 564A | 799026 | Screw (Control Cover) Used on Type No(s). 0155, 0158, 0159, 0160, 0163. |
| 356A | 797743 | Wire-Stop Used on Type No(s). 0130. | 455 | 796615 | Cup-Flywheel Used on Type No(s). 0121, 0122, 0123, 0128, 0139, 0142, 0143, 0145, 0148, 0151, 0155, 0158, 0159, 0160, 0163, 2128, 2139. | 601 | 791850 | Clamp-Hose |
| 356B | 692602 | Wire-Stop Used on Type No(s). 0121, 0122, 0123, 0142, 0143, 0145, 0148, 0151. | 474 | 794103 | Alternator Used on Type No(s). 0127, 0130, 0141, 0153, 1411, 1463, 1473, 2127, 2141, 2411, 2463. | 604 | 799024 | Cover-Control Used on Type No(s). 0155, 0158, 0159, 0160, 0163. |
| 356C | 695630 | Wire-Stop Used on Type No(s). 0121, 0122, 0123, 0142, 0143, 0145, 0148, 0151. | 497 | 691044 | Screw (Stopswitch Bracket) Used on Type No(s). 0121, 0122, 0123, 0142, 0143, 0145, 0148, 0151. | 608 | 796497 | Starter-Rewind |
| 356F | 798332 | Wire-Stop Used on Type No(s). 0130, 1411, 1463, 1473, 2411, 2463. | 505 | 793515 | Nut (Governor Control Lever) | 613 | 796496 | Screw (Muffler) |
| 356G | 798942 | Wire-Stop Used on Type No(s). 0155, 0158, 0159, 0160, 0163. | 523 | 796503 | Dipstick | 615 | 796674 | Retainer-Governor Shaft |
| 356H | 798943 | Wire-Stop Used on Type No(s). 0155, 0158, 0159, 0160, 0163. | 524 | 692296 | Seal-Dipstick Tube | 616 | 798327 | Crank-Governor |
| 358 | 799495 | Gasket Set-Engine | 525 | 796502 | Tube-Dipstick | 621 | 692310 | Switch-Stop |
| 363 | 19069 | Puller-Flywheel | 535 | 797301 | Filter-Air Cleaner Foam Used on Type No(s). 0155, 0158, 0159, 0160, 0163. | 623 | 793628 | Seal-O Ring (Carburetor Spacer) |
| 365 | 793458 | Screw (Carburetor) | 536 | 799025 | Cleaner-Air Used on Type No(s). 0155, 0158, 0159, 0160, 0163. | 627 | 796702 | Bracket-Stopswitch Used on Type No(s). 0121, 0122, 0123, 0142, 0143, 0145, 0148, 0151. |
| 383 | 19576S | Wrench-Spark Plug | 562 | 793514 | Bolt (Governor-Control Lever) | 635 | 66538S | Boot-Spark Plug |
| 404 | 690272 | Washer (Governor Crank) | 564 | 690351 | Screw (Control Cover) Used on Type No(s). 0155, 0158, 0159, 0160, 0163. | 635A | 799646 | Boot-Spark Plug Used on Type No(s). 1563, 1564, 1567. |
| | | | | | | 668 | 797373 | Spacer Used on Type No(s). 0130. |
| | | | | | | 668A | 797383 | Spacer Used on Type No(s). 0130. |
| | | | | | | 670 | 793485 | Spacer-Fuel Tank |
| | | | | | | 676 | 692010 | Deflector-Muffler |
| | | | | | | 676A | 799187 | Deflector-Muffler Used on Type No(s). 0160, 2128. |
| | | | | | | 677 | 690661 | Screw (Muffler Deflector) |

Illustrations cover a range of engines. Parts shown without corresponding text may not be used on your specific engine.
10054-18 Assemblies include all parts shown in frames. 02/01/2011

| REF. NO. | PART NO. | DESCRIPTION | REF. NO. | PART NO. | DESCRIPTION | REF. NO. | PART NO. | DESCRIPTION |
|----------|----------|---|----------|----------|--|----------|----------|---|
| 697 | 691127 | Screw (Drive Cap) Used on Type No(s). 0127, 0130, 0132, 0134, 0136, 0141, 0144, 0146, 0149, 0153, 0156, 0161, 0162, 0707, 0732, 1257, 1369, 1411, 1463, 1473, 1564, 2127, 2141, 2144, 2145, 2411, 2463, 2732. | 750 | 691147 | Screw (Oil Pump Cover) Used on Type No(s). 0132, 0134, 0136, 0137, 0144, 0146, 0149, 0152, 0153, 0154, 0156, 0161, 0162, 2144, 2145. | 847 | 796501 | Dipstick/Tube Assembly |
| 718 | 690959 | Pin-Locating | 789 | 792685 | Harness-Wiring Used on Type No(s). 0127, 0132, 0134, 0136, 0141, 0144, 0146, 0149, 0153, 0156, 0161, 0162, 0707, 0732, 1257, 1369, 1564, 2127, 2141, 2144, 2145, 2732. | 851 | 493880S | Terminal-Spark Plug |
| 737 | 692511 | Screw (Oil Filter Adapter) Used on Type No(s). 0132, 0134, 0136, 0137, 0144, 0146, 0149, 0152, 0153, 0154, 0156, 0161, 0162, 2144, 2145. | 789A | 696546 | Harness-Wiring Used on Type No(s). 0130, 1411, 1473, 2411. | 851A | 692424 | Terminal-Spark Plug |
| 741 | 795755 | Gear-Timing ----- Note ----- 797521 Gear-Timing Used on Type No(s). 0155, 0158, 0159, 0163. | 830 | 796472 | Stud-Rocker Arm | 868 | 795440 | Seal-Valve |
| 742 | 93941 | Retainer-E Ring Used on Type No(s). 0127, 0130, 0132, 0134, 0136, 0141, 0144, 0146, 0149, 0153, 0156, 0161, 0162, 0707, 0732, 1257, 1369, 1411, 1463, 1473, 1564, 2127, 2141, 2144, 2145, 2411, 2463, 2732. | 832 | 796494 | Guard-Muffler Used on Type No(s). 0121, 0122, 0123, 0124, 0126, 0127, 0129, 0132, 0134, 0135, 0136, 0137, 0139, 0140, 0141, 0142, 0143, 0144, 0145, 0146, 0148, 0149, 0150, 0151, 1368, 1369, 1411, 1463, 1473. | 875 | 796492 | Base-Air Cleaner |
| 745 | 698557 | Screw (Brake) Used on Type No(s). 0100, 0124, 0126, 0127, 0129, 0132, 0134, 0135, 0136, 0137, 0140, 0141, 0144, 0146, 0149, 0152, 0153, 0154, 0156, 0161, 0162, 0707, 0732, 1257, 1368, 1369, 1563, 1564, 1567, 2127, 2129, 2141, 2144, 2145, 2732. | 832A | 798951 | Guard-Muffler Used on Type No(s). 0152, 0153, 0154, 0155, 0156, 0158, 0159, 0161, 0162, 0163, 1563, 1564, 2127, 2129, 2139, 2141, 2144, 2145, 2411, 2463. | 883 | 793497 | Gasket-Exhaust |
| | | | 836 | 793500 | Screw (Muffler Guard) | 883A | 796677 | Gasket-Exhaust |
| | | | 837 | 797735 | Spacer-Muffler Used on Type No(s). 0139, 2139. | 886 | 799492 | Gasket Kit-Cylinder Head Plate |
| | | | 842 | 691031 | Seal-O Ring (Dipstick Tube) | 910 | 796498 | Stud (Alternator) Used on Type No(s). 0127, 0130, 0141, 0153, 1411, 1463, 1473, 2127, 2141, 2411, 2463. |
| | | | 843 | 691884 | Sleeve-Lever Used on Type No(s). 0128, 0139, 2128, 2139. | 914 | 794451 | Screw (Rocker Arm Cover) |
| | | | | | | 921 | 798356 | Cover-Blower Housing Used on Type No(s). 0141, 2141. |
| | | | | | | 922 | 692135 | Spring-Brake Used on Type No(s). 0100, 0124, 0126, 0127, 0129, 0132, 0134, 0135, 0136, 0137, 0140, 0141, 0144, 0146, 0149, 0152, 0153, 0154, 0156, 0161, 0162, 0707, 0732, 1257, 1368, 1369, 1563, 1564, 1567, 2127, 2129, 2141, 2144, 2145, 2732. |
| | | | | | | 923 | 796635 | Brake Used on Type No(s). 0100, 0124, 0126, 0127, 0129, 0132, 0134, 0135, 0136, 0137, 0140, 0141, 0144, 0146, 0149, 0152, 0153, 0154, 0156, 0161, 0162, 0707, 0732, 1257, 1368, 1369, 1563, 1564, 1567, 2127, 2129, 2141, 2144, 2145, 2732. |

Illustrations cover a range of engines. Parts shown without corresponding text may not be used on your specific engine.

12S900

| REF. NO. | PART NO. | DESCRIPTION | REF. NO. | PART NO. | DESCRIPTION | REF. NO. | PART NO. | DESCRIPTION |
|----------|----------|---|----------|----------|---|----------|----------|--|
| 925 | 796531 | Cover-Linkage Used on Type No(s). 0121, 0122, 0123, 0128, 0130, 0139, 0142, 0143, 0145, 0148, 0150, 0151, 0155, 0158, 0159, 0160, 0163, 1411, 2128, 2139, 2411, 2463. | 972 | 796489 | Tank-Fuel (EVAP) ----- Note ----- 798336 Tank-Fuel (EVAP) (With Gage) Used on Type No(s). 0141, 2141. | 1028 | 796522 | Adapter-Oil Filter Used on Type No(s). 0132, 0134, 0136, 0137, 0144, 0146, 0149, 0152, 0153, 0154, 0156, 0161, 0162, 2144, 2145. |
| 937 | 799427 | Spline-Starter Used on Type No(s). 0127, 0130, 0132, 0134, 0136, 0141, 0144, 0146, 0149, 0707, 0732, 1257, 1369, 1411, 1463, 1473. ----- Note ----- 799420 Spline-Starter Used on Type No(s). 0153, 0156, 0161, 0162, 1564, 2127, 2141, 2144, 2145, 2411, 2463, 2732. | 975 | 796611 | Bowl-Float ----- Note ----- 797631 Bowl-Float Used on Type No(s). 0155, 0158, 0159, 0160, 0163. | 1029 | 691230 | Arm-Rocker |
| 943 | 692514 | Seal-O Ring (Oil Pump Cover) Used on Type No(s). 0132, 0134, 0136, 0137, 0144, 0146, 0149, 0152, 0153, 0154, 0156, 0161, 0162, 2144, 2145. | 988 | 692515 | Gasket-Oil Adapter Used on Type No(s). 0132, 0134, 0136, 0137, 0144, 0146, 0149, 0152, 0153, 0154, 0156, 0161, 0162, 2144, 2145. | 1034 | 691343 | Guide-Push Rod |
| 957 | 796577 | Cap-Fuel Tank (EVAP) | 993 | 796473 | Gasket-Cylinder Head Plate | 1036 | | Label-Emissions (Available From A Briggs & Statton Authorized Dealer) |
| 965 | 692507 | Cover-Oil Pump Used on Type No(s). 0132, 0134, 0136, 0137, 0144, 0146, 0149, 0152, 0153, 0154, 0156, 0161, 0162, 2144, 2145. | 1005 | 796614 | Fan-Flywheel Used on Type No(s). 0121, 0122, 0123, 0128, 0139, 0142, 0143, 0145, 0148, 0151, 0155, 0158, 0159, 0160, 0163, 2128, 2139. | 1055 | 796524 | Tube-Oil Pump Used on Type No(s). 0132, 0134, 0136, 0137, 0144, 0146, 0149, 0152, 0153, 0154, 0156, 0161, 0162, 2144, 2145. |
| 967 | 796254 | Filter-Pre Cleaner | 1022 | 796480 | Gasket-Rocker Cover | 1058 | 279946 | Manual-Operator's |
| 968 | 796493 | Cover-Air Cleaner | 1023 | 796479 | Cover-Rocker Arm | 1059 | 793471 | Kit-Screw/Washer |
| 969 | 690700 | Screw (Blower Housing Cover) Used on Type No(s). 0141, 2141. | 1024 | 692508 | Pump-Oil Used on Type No(s). 0132, 0134, 0136, 0137, 0144, 0146, 0149, 0152, 0153, 0154, 0156, 0161, 0162, 2144, 2145. | 1095 | 799496 | Gasket Set-Valve |
| | | | 1026 | 796481 | Rod-Push | 1119 | 794100 | Screw (Alternator) Used on Type No(s). 0127, 0130, 0141, 0153, 1411, 1463, 1473, 2127, 2141, 2411, 2463. |
| | | | 1027 | 795990 | Filter-Oil Used on Type No(s). 0132, 0134, 0136, 0137, 0144, 0146, 0149, 0152, 0153, 0154. | 1212 | 796537 | Stud (Blower Housing) |
| | | | | | ----- Note ----- 798319 Filter-Oil Used on Type No(s). 0156, 0161, 0162, 2144, 2145. | 1212A | 793479 | Stud (Blower Housing) |
| | | | | | | 1212B | 797002 | Stud (Blower Housing) (Used With Alternator Only) |
| | | | | | | 1263 | 697124 | Reed-Breather |
| | | | | | | 1264 | 793453 | Screw (Breather Reed) |
| | | | | | | 1319 | 794467 | Label-Warning |
| | | | | | | 1330 | 276781 | Manual-Repair |
| | | | | | | 1335 | 793481 | Nut (Blower Housing) |
| | | | | | | 1375 | 796476 | Cover-Breather/Reed |
| | | | | | | 1376 | 794451 | Screw (Breather/Reed Cover) |

Illustrations cover a range of engines. Parts shown without corresponding text may not be used on your specific engine.
10054-20 Assemblies include all parts shown in frames. 02/01/2011

| REF. NO. | PART NO. | DESCRIPTION | REF. NO. | PART NO. | DESCRIPTION | REF. NO. | PART NO. | DESCRIPTION |
|----------|----------|--|----------|----------|--|----------|----------|-------------|
| 1395 | 690349 | Screw (Air Cleaner Base to Carburetor) Used on Type No(s). 0100, 0121, 0122, 0123, 0124, 0126, 0127, 0128, 0129, 0130, 0132, 0134, 0135, 0136, 0137, 0139, 0140, 0141, 0142, 0143, 0144, 0145, 0146, 0148, 0149, 0150, 0151, 0152, 0153, 0154, 0156, 0161, 0162, 0707, 0732, 1257, 1368, 1369, 1411, 1463, 1473, 1563, 1564, 1567, 2127, 2128, 2129, 2139, 2141, 2144, 2145, 2411, 2463, 2732. | 1395A | 798294 | Screw (Air Cleaner Base to Carburetor) Used on Type No(s). 0155, 0158, 0159, 0160, 0163. | | | |
| | | | 1430 | 796477 | Gasket-Breather/Reed | | | |

Not for
Reproduction

Not for
Reproduction

Not for
Reproduction

Not for
Reproduction



Free Manuals Download Website

<http://myh66.com>

<http://usermanuals.us>

<http://www.somanuals.com>

<http://www.4manuals.cc>

<http://www.manual-lib.com>

<http://www.404manual.com>

<http://www.luxmanual.com>

<http://aubethermostatmanual.com>

Golf course search by state

<http://golfingnear.com>

Email search by domain

<http://emailbydomain.com>

Auto manuals search

<http://auto.somanuals.com>

TV manuals search

<http://tv.somanuals.com>