



Illustrated Parts List

Model Series

12V800

TYPE NUMBERS
0109 through 3118.

TABLE OF CONTENTS

Alternator	6
Air Cleaner	4
Blower Housing/Shrouds	5
Camshaft	2
Carburetor	3
Controls	4
Crankshaft	2
Cylinder	2
Electric Starter	6
Electrical	6
Engine Sump	2
Exhaust System	4
Flywheel	5
Flywheel Brake	6
Fuel Supply	3
Governor Spring	4
Ignition	6
Kits/Gaskets	2 & 3
Lubrication	2
Piston Group	2
Rewind Starter	5
Valves	2

PRINTED IN U.S.A.



COPYRIGHT by BRIGGS & STRATTON CORPORATION
All rights reserved. No part of this material may be reproduced or transmitted, in any form or by any means, electronic or mechanical, including photocopying, recording or by any information storage and retrieval system, without permission in writing from Briggs & Stratton Corporation.

1319 WARNING LABEL



REQUIRED when replacing parts with warning labels affixed.

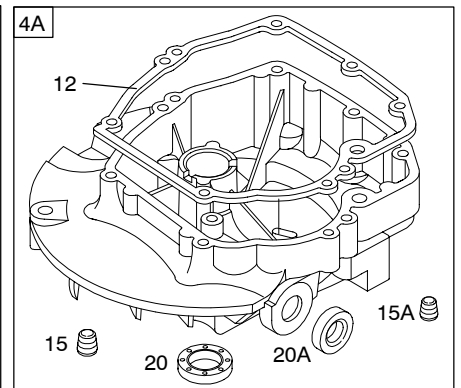
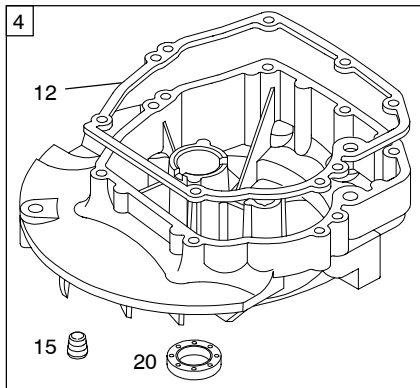
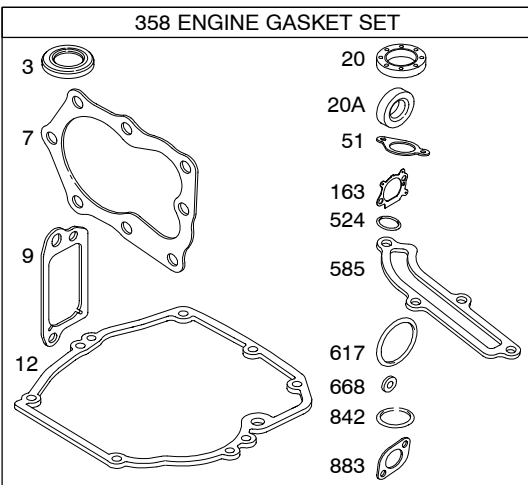
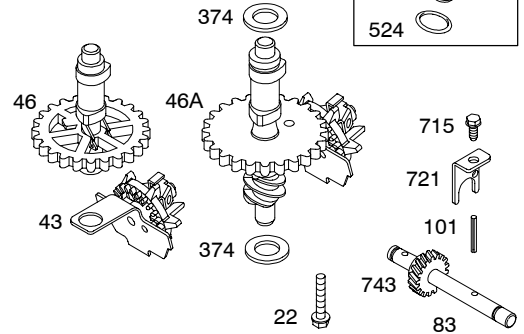
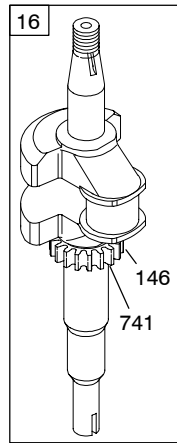
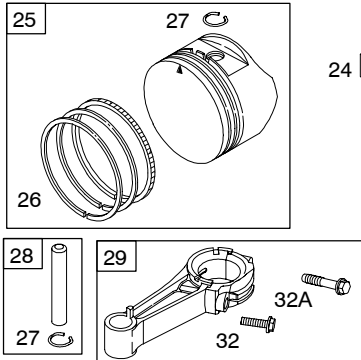
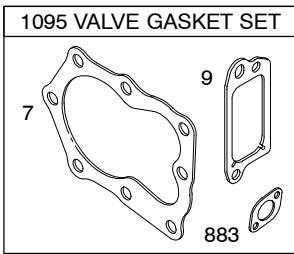
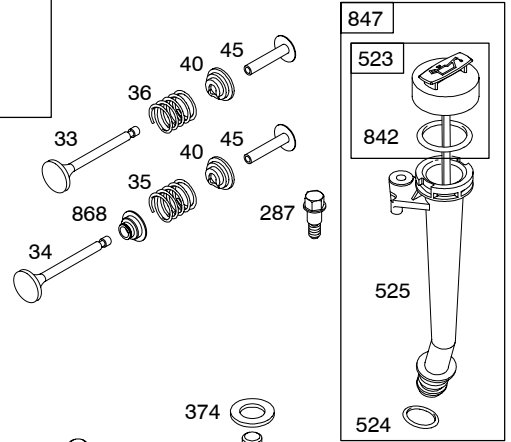
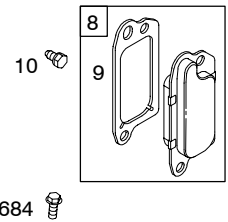
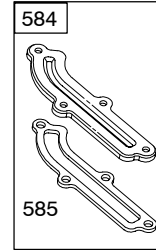
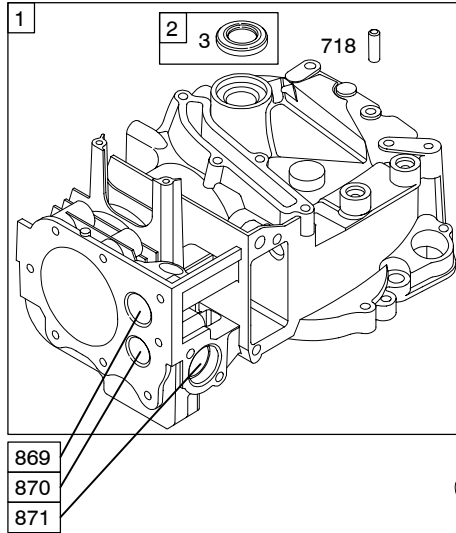
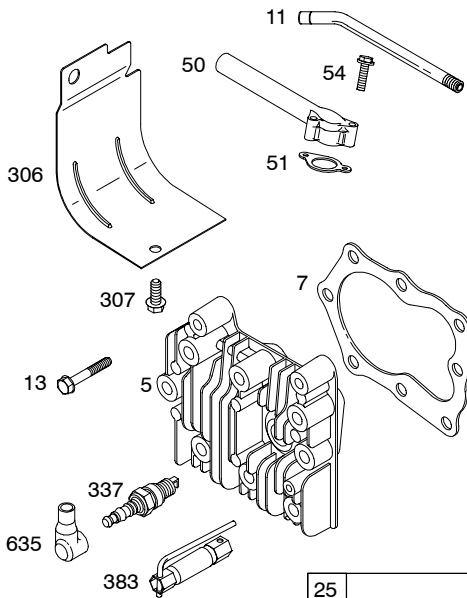
1058 OPERATOR'S MANUAL



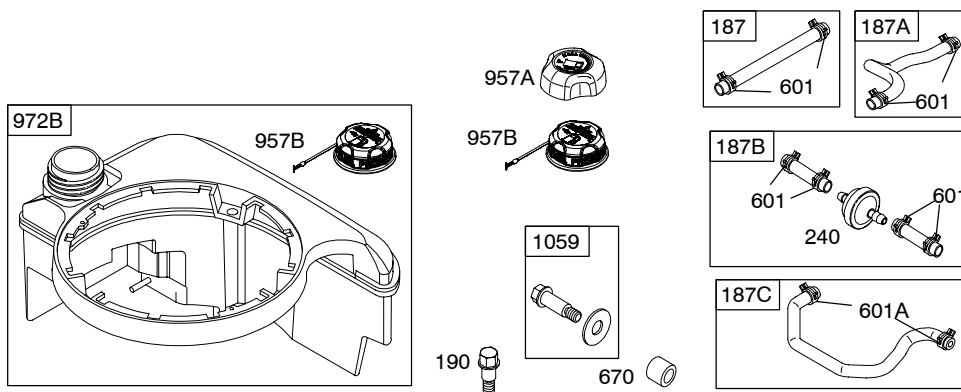
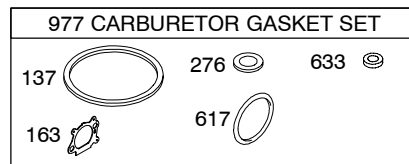
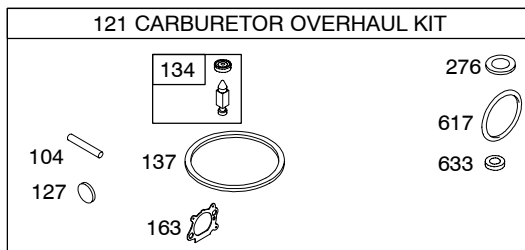
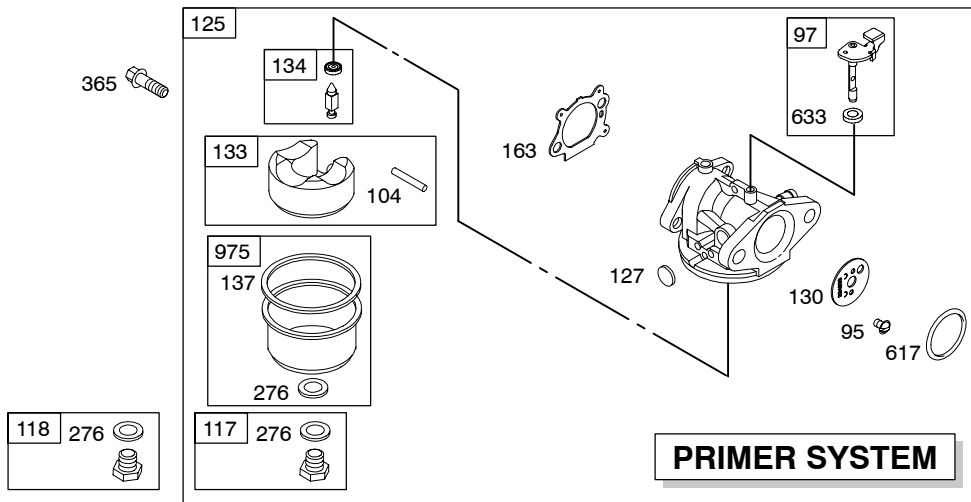
1330 REPAIR MANUAL



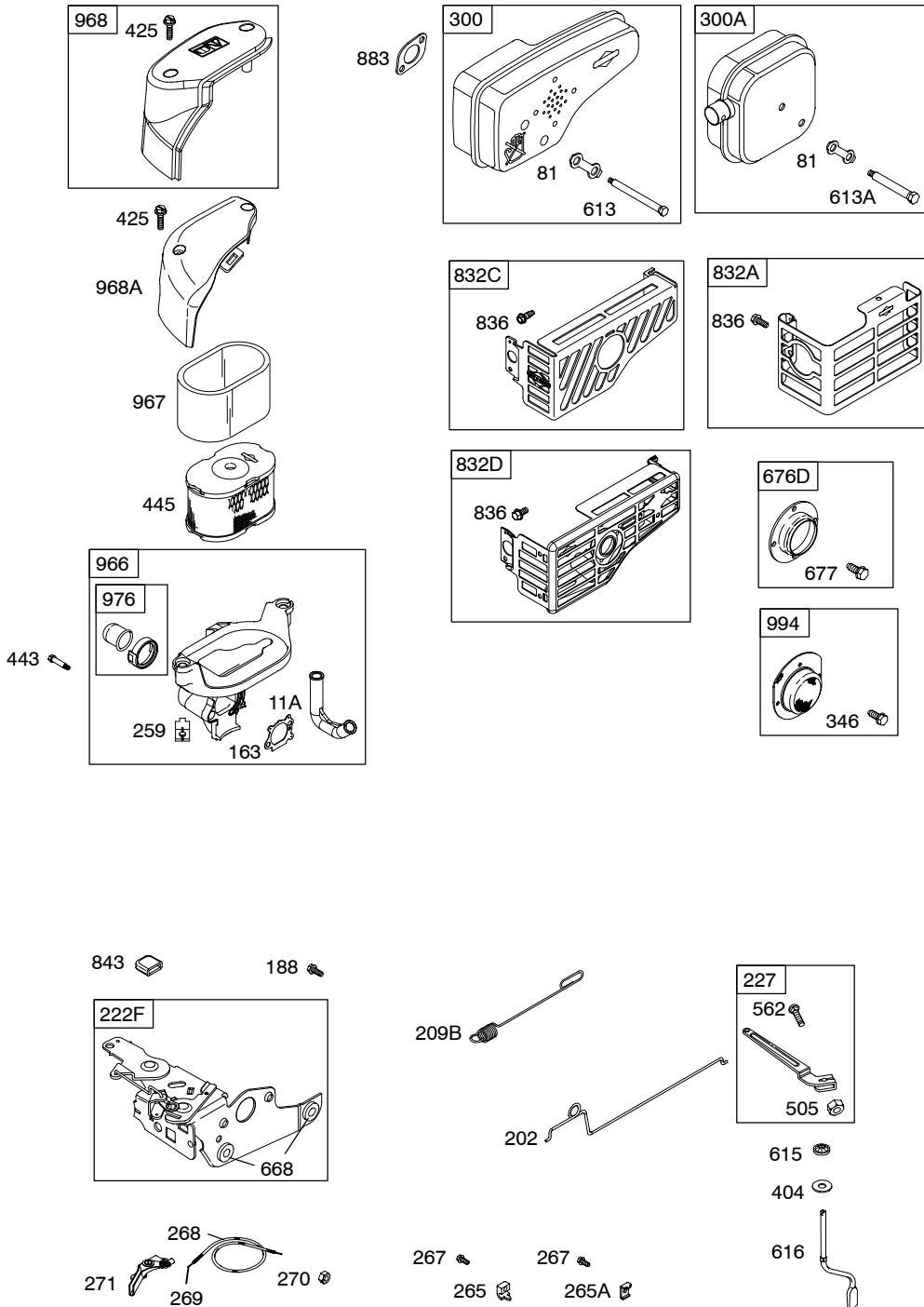
1019 LABEL KIT



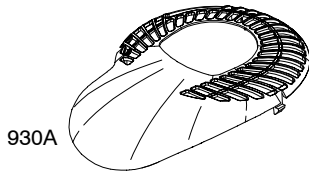
Illustrations cover a range of engines. Parts shown without corresponding text may not be used on your specific engine.
0875-2 Assemblies include all parts shown in frames. **12/05/2007**



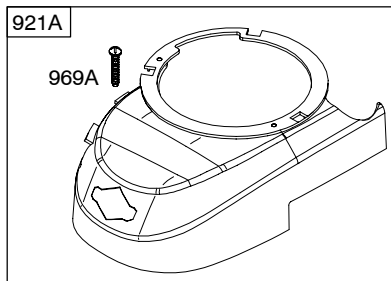
Illustrations cover a range of engines. Parts shown without corresponding text may not be used on your specific engine.
 0875-3 Assemblies include all parts shown in frames. 12/05/2007



Illustrations cover a range of engines. Parts shown without corresponding text may not be used on your specific engine.
0875-4 Assemblies include all parts shown in frames. **12/05/2007**

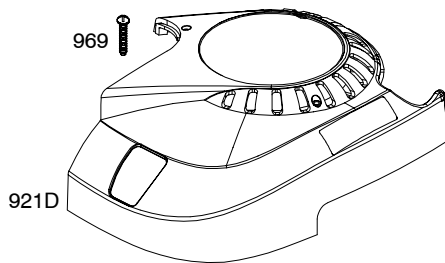


930A



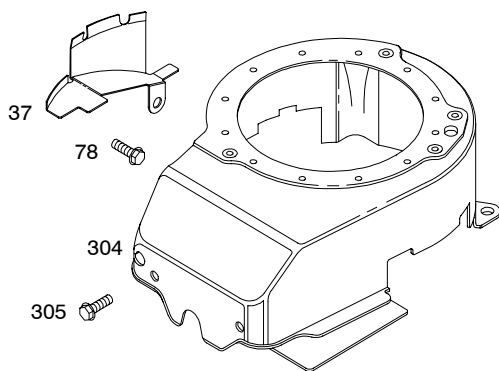
921A

969A

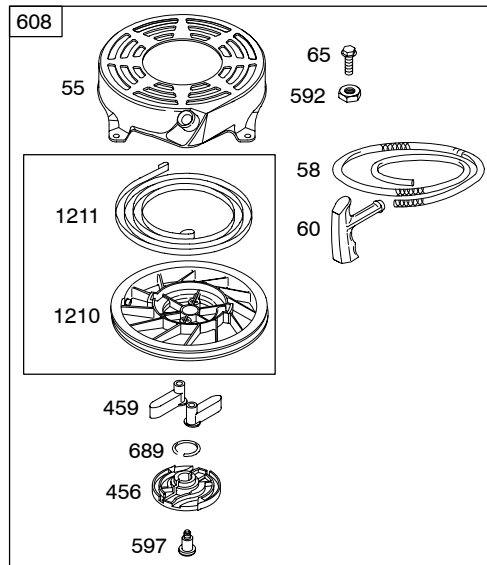


921D

969



1036 EMISSIONS LABEL



608

55

65

592

1211

58

60

1210

459

689

456

597

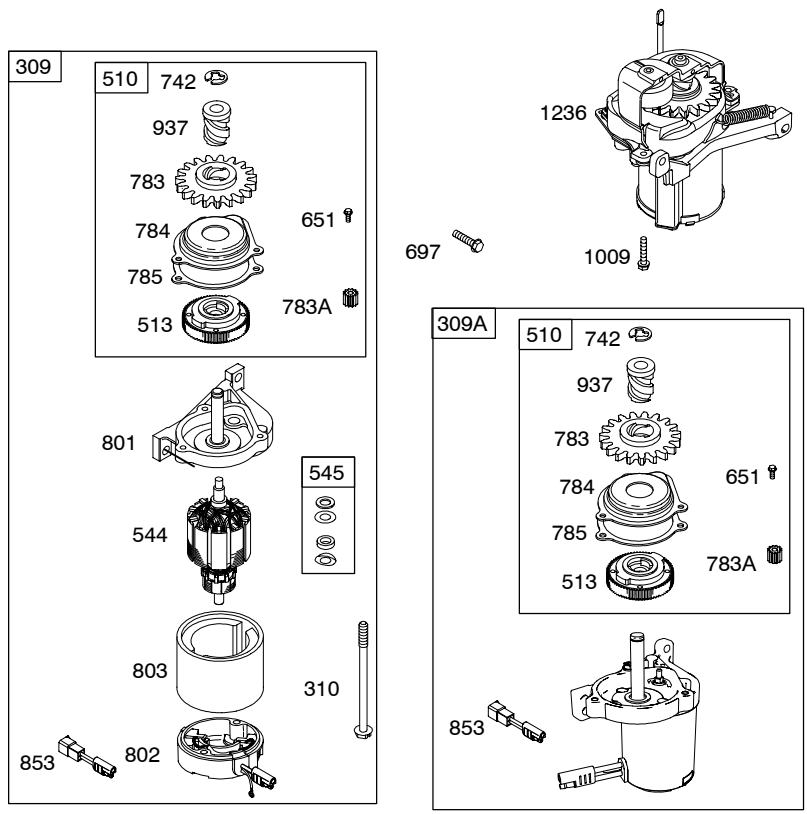
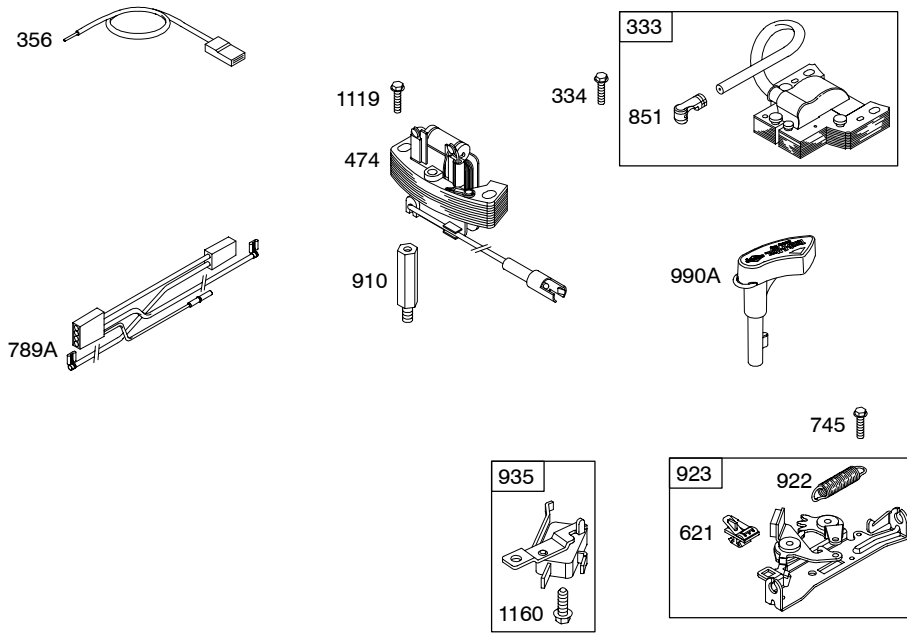
332

455

1005

363

23A



Illustrations cover a range of engines. Parts shown without corresponding text may not be used on your specific engine.
0875-6 Assemblies include all parts shown in frames. **12/05/2007**

REF. NO.	PART NO.	DESCRIPTION	REF. NO.	PART NO.	DESCRIPTION	REF. NO.	PART NO.	DESCRIPTION
1	697322	Cylinder Assembly	16	691451	Crankshaft (Used After Code Date 97011200).	20	★399781S	Seal–Oil (PTO Side)
2	399269	Kit–Bushing/Seal (Magneto Side)			----- Note -----	20A	★691952	Seal–Oil (PTO Side) (Auxiliary PTO)
3	★299819S	Seal–Oil (Magneto Side)			694442 Crankshaft (Used Before Code Date 97011300).	22	691092	Screw (Crankcase Cover/Sump)
4	493279	Sump–Engine ----- Note ----- 696294 Sump–Engine Used on Type No(s). 1783.			691452 Crankshaft (Used After Code Date 97011200). Used on Type No(s). 0630,0631,0666,0668, 1085,1766,1767,1777, 1778,1779,1780.	23A	691987	Flywheel ----- Note ----- 691992 Flywheel Used on Type No(s). 0667, 0668, 1731, 1734, 1767.
4A	493365	Sump–Engine (Auxiliary PTO)			694059 Crankshaft (Used Before Code Date 97011300). Used on Type No(s). 0630,0631,0666,0668.			696291 Flywheel Used on Type No(s). 1783.
5	691160	Head–Cylinder			691450 Crankshaft (Used After Code Date 97011200). Used on Type No(s). 0109,0180,0181,0183, 0191,1081,1091.	24	222698S	Key–Flywheel
7	★∅692249	Gasket–Cylinder Head			694440 Crankshaft (Used Before Code Date 97011300). Used on Type No(s). 0109,0180,0181,0183.			
8	695250	Breather Assembly			691454 Crankshaft (Used After Code Date 97011200). Used on Type No(s). 0182.			
9	★∅699833	Gasket–Breather			692000 Crankshaft (Used Before Code Date 97011300). Used on Type No(s). 0182.			
10	691125	Screw (Breather Assembly)			692994 Crankshaft (Used After Code Date 97011200). Used on Type No(s). 0625,1741,3118.			
11	691781	Tube–Breather			498878 Crankshaft (Used Before Code Date 97011300). Used on Type No(s). 1741.			
11A	691934	Tube–Breather			691455 Crankshaft Used on Type No(s). 1092.			
12	★692232	Gasket–Crankcase						
13	690912	Screw (Cylinder Head)						
15	691680	Plug–Oil Drain (Square Socket)						
15A	691093	Plug–Oil Drain (Hex Socket)						

★ Included in Engine Gasket Set–Ref. No.358.

● Included in Carburetor Overhaul Kit–Ref. No. 121.

◆ Included in Carburetor Gasket Set–Ref. No. 977.

∅ Included in Valve Gasket Set–Ref. No 1095.

Illustrations cover a range of engines. Parts shown without corresponding text may not be used on your specific engine.

0875–7

Assemblies include all parts shown in frames.

12/05/2007

12V800

REF. NO.	PART NO.	DESCRIPTION	REF. NO.	PART NO.	DESCRIPTION	REF. NO.	PART NO.	DESCRIPTION
25	795429	Piston Assembly (Standard) (Used After Code Date 07090300). ----- Note ----- 791097 Piston Assembly (Standard) (Used After Code Date 04031400 and Before Code Date 07090400). 493262 Piston Assembly (Standard) (Used Before Code Date 97011300). 795430 Piston Assembly (.020" Oversize) (Used After Code Date 07090300). 791326 Piston Assembly (.020" Oversize) (Used After Code Date 04102100 and Before Code Date 07040400). 499431 Piston Assembly (.020" Oversize) (Used After Code Date 97011200 and Before Code Date 04102200). 493386 Piston Assembly (.020" Oversize) (Used Before Code Date 97011300). 493387 Piston Assembly (.030" Oversize) (Used Before Code Date 97011300).	26	795431	Ring Set (Standard) (Used After Code Date 07090300). ----- Note ----- 791098 Ring Set (Standard) (Used After Code Date 04031400 and Before Code Date 07090400). 499425 Ring Set (Standard) (Used After Code Date 97011200 and Before Code Date 04031500). 493261 Ring Set (Standard) (Used Before Code Date 97011300). 795432 Ring Set (.020" Oversize) (Used After Code Date 07090300). 791324 Ring Set (.020" Oversize) (Used After Code Date 04102100 and Before Code Date 07090400). 499427 Ring Set (.020" Oversize) (Used After Code Date 97011200 and Before Code Date 04102200). 493389 Ring Set (.020" Oversize) (Used Before Code Date 97011300). 493390 Ring Set (.030" Oversize) (Used Before Code Date 97011300).	27	691866	Lock-Piston Pin (Used After Code Date 97011200). ----- Note ----- 691588 Lock-Piston Pin (Used Before Code Date 97011300).
						28	499423	Pin-Piston (Standard) (Used After Code Date 97011200). ----- Note ----- 298909 Pin-Piston (Standard) (Used Before Code Date 97011300). 298908 Pin-Piston (.005" Oversize) (Used Before Code Date 97011300).
						29	499424	Rod-Connecting (Standard) (Used After Code Date 97011200). ----- Note ----- 490566 Rod-Connecting (Standard) (Used Before Code Date 97011300).
						32	691664	Screw (Connecting Rod)
						32A	695759	Screw (Connecting Rod) (Used After Code Date 00042200).
						33	262651S	Valve-Exhaust
						34	262652S	Valve-Intake
						35	691270	Spring-Valve (Intake)

★ Included in Engine Gasket Set-Ref. No.358.

● Included in Carburetor Overhaul Kit-Ref. No. 121.

◆ Included in Carburetor Gasket Set-Ref. No. 977.

⊘ Included in Valve Gasket Set-Ref. No 1095.

Illustrations cover a range of engines. Parts shown without corresponding text may not be used on your specific engine.

0875-8

Assemblies include all parts shown in frames.

12/05/2007

REF. NO.	PART NO.	DESCRIPTION	REF. NO.	PART NO.	DESCRIPTION	REF. NO.	PART NO.	DESCRIPTION
36	691270	Spring-Valve (Exhaust)	101	691623	Pin-Shaft	125	698444	Carburetor (Used After Code Date 96060200).
37	694086	Guard-Flywheel	104	●691242	Pin-Float Hinge			----- Note -----
40	692194	Retainer-Valve	117	494870	Jet-Main (Standard)			498254 Carburetor (Used Before Code Date 96060300).
43	691997	Slinger-Governor/Oil			(Used After Code Date 02092900).			
45	690548	Tappet-Valve			----- Note -----			
46	691449	Camshaft (Used After Code Date 96060200).			498975 Jet-Main (Standard)	127	●694468	Plug-Welch
		----- Note -----			(Used After Code Date 96060200 and Before Code Date 02093000).	130	691203	Valve-Throttle ----- Note -----
		492830 Camshaft (Used Before Code Date 96060300).			497466 Jet-Main (Standard)			696564 Valve-Throttle (Used With Plastic Throttle Shaft)
46A	691459	Camshaft (Counterclockwise) (Used After Code Date 96060200).			(Used After Code Date 95102900 and Before Code Date 96060300).	133	398187	Float-Carburetor
					494870 Jet-Main (Standard)	134	●398188	Kit-Needle/Seat
50	497465	Manifold-Intake			(Used Before Code Date 95103000).	137	●●693981	Gasket-Float Bowl
51	★272199S	Gasket-Intake				146	690979	Key-Timing
54	691650	Screw (Intake Manifold)				163★●●	272653	Gasket-Air Cleaner
55	691421	Housing-Rewind Starter	118	497315	Jet-Main (High Altitude)	187	791766	Line-Fuel (Cut to Required Length)
58	697316	Rope-Starter (Cut To Required Length)			(Used After Code Date 02092900).	187A	791873	Line-Fuel (Molded)
60	281434S	Grip-Starter Rope			----- Note -----	187B	791891	Line-Fuel (Includes Filter) (Used After Code Date 05063000).
65	690837	Screw (Rewind Starter)			497348 Jet-Main (High Altitude)			----- Note -----
78	691108	Screw (Flywheel Guard)			(Used After Code Date 96060200 and Before Code Date 02093000).			692042 Line-Fuel (Includes Filter) (Used Before Code Date 05070100).
81	691740	Lock-Muffler Screw			497315 Jet-Main (High Altitude)	187C	791875	Line-Fuel (Molded)
83	691778	Shaft-Auxiliary Drive			(Used Before Code Date 95103000).	188	690877	Screw (Control Bracket)
95	691636	Screw (Throttle Valve)				190	690940	Screw (Fuel Tank)
97	493267	Shaft-Throttle (Metal)	121	498260	Kit-Carburetor Overhaul	202	691829	Link-Mechanical Governor
		----- Note -----						
		696565 Shaft-Throttle (Plastic)						

★ Included in Engine Gasket Set-Ref. No.358.

● Included in Carburetor Overhaul Kit-Ref. No. 121.

◆ Included in Carburetor Gasket Set-Ref. No. 977.

⊘ Included in Valve Gasket Set-Ref. No 1095.

Illustrations cover a range of engines. Parts shown without corresponding text may not be used on your specific engine.

0875-9

Assemblies include all parts shown in frames.

12/05/2007

12V800

REF. NO.	PART NO.	DESCRIPTION	REF. NO.	PART NO.	DESCRIPTION	REF. NO.	PART NO.	DESCRIPTION
209B	699056	Spring-Governor ----- Note ----- 691851 Spring-Governor Used on Type No(s). 0180, 0181, 0183, 0191, 0668, 1081, 1091, 1092. 691292 Spring-Governor Used on Type No(s). 0182, 0630, 0631, 0666, 0667, 1085, 1731, 1733, 1766, 1767, 1777. 691852 Spring-Governor Used on Type No(s). 1734.	304	493293	Housing-Blower ----- Note ----- 493294 Housing-Blower Used on Type No(s). 0181, 0183, 0191, 0667, 0668, 1092, 1731, 1734. 695892 Housing-Blower Used on Type No(s). 1787, 1788. 696298 Housing-Blower Used on Type No(s). 1783.	425	691135	Screw (Air Cleaner Cover)
						443	690349	Screw (Air Cleaner Primer Base)
						445	497725S	Filter-Air Cleaner Cartridge
						455	791960	Cup-Flywheel
						456	692299	Plate-Pawl Friction
						459	281505S	Pawl-Ratchet
						474	691991	Alternator
						505	691251	Nut (Governor Control Lever)
						510	795093	Drive-Starter
						513	692358	Clutch-Drive
			305	691108	Screw (Blower Housing)	523	499621	Dipstick
			306	690450	Shield-Cylinder	524	★692296	Seal-Dipstick Tube
			307	690345	Screw	525	495265	Tube-Dipstick
222F	691436	Bracket-Control (Remote/Manual Friction) (Compliance)	309	695550	Motor-Starter (Used Before Code Date 07052900).	544	690786	Armature-Starter
						545	492919	Washer Set (Starter Motor)
			309A	795092	Motor-Starter (Used After Code Date 07052800). (Cylinder Shield)	562	92613	Bolt (Governor Control Lever)
240	298090S	Filter-Fuel				584	697734	Cover-Breather Passage
259	691189	Bracket-Casing Clamp				585	★691879	Gasket-Breather Passage
265	690798	Clamp-Casing				592	690800	Nut (Rewind Starter)
265A	691024	Clamp-Casing				597	691696	Screw (Pawl Friction Plate)
267	691044	Screw (Casing Clamp)	310	692327	Bolt (Starter Motor)	601	791850	Clamp-Hose
268	691025	Casing-Control Wire (Cut To Required Length)	332	690662	Nut (Flywheel)	601A	691038	Clamp-Hose
269	691026	Wire-Control (Cut To Required Length)	333	802574	Armature-Magneto	608	497680	Starter-Rewind
			334	691061	Screw (Magneto Armature)	613	691340	Screw (Muffler)
270	691027	Nut (Control Wire Casing)	337	802592S	Plug-Spark	613A	691653	Screw (Muffler)
271	691028	Lever-Control	346	690661	Screw (Spark Arrestor)	615	690340	Retainer-Governor Shaft
276	◆271716	Washer-Sealing	356	692390	Wire-Stop	616	698801	Crank-Governor
287	690940	Screw (Dipstick Tube)	358	497316	Gasket Set-Engine	617	◆270344S	Seal-O Ring (Intake Manifold)
300	692038	Muffler (Tuned)	363	19069	Puller-Flywheel			
300A	494343S	Muffler (Square Lo Tone)	365	691688	Screw (Carburetor)			
			383	89838S	Wrench-Spark Plug			
			404	690272	Washer (Governor Crank)			

★ Included in Engine Gasket Set-Ref. No.358.

● Included in Carburetor Overhaul Kit-Ref. No. 121.

◆ Included in Carburetor Gasket Set-Ref. No. 977.

⊘ Included in Valve Gasket Set-Ref. No 1095.

Illustrations cover a range of engines. Parts shown without corresponding text may not be used on your specific engine.

0875-10

Assemblies include all parts shown in frames.

12/05/2007

REF. NO.	PART NO.	DESCRIPTION	REF. NO.	PART NO.	DESCRIPTION	REF. NO.	PART NO.	DESCRIPTION
621	692310	Switch-Stop	783	691918	Gear-Pinion (Starter) (19 Teeth)	847	692047	Dipstick/Tube Assembly
633	◆691321	Seal-Choke/Throttle Shaft (Throttle Shaft)	783A	691269	Gear-Pinion (12 Teeth)	851	493880S	Terminal-Spark Plug
635	66538S	Boot-Spark Plug	784	795095	Cover-Starter Gear	853	695268	Adapter-Wire
651	691660	Screw (Starter Gear Cover)	785	692352	Gasket-Starter Cover	868	697338	Seal-Valve
668	★493823	Spacer	789A	696547	Harness-Wiring (Used After Code Date 00040600).	869	691155	Seat-Valve (Intake)
670	692294	Spacer-Fuel Tank			----- Note -----	870	690380	Seat-Valve (Exhaust)
676D	497682	Deflector-Muffler (Side Out) (Extended)			691372 Harness-Wiring (Used Before Code Date 00040700).	910	691094	Stud (Alternator)
677	690661	Screw (Muffler Deflector)	801	690782	Cap-Drive	921A	695886	Cover-Blower Housing
684	690345	Screw (Breather Passage Cover)	802	695267	Cap-End (Used After Code Date 00040600).	921D	691339	Cover-Blower Housing
689	691855	Spring-Friction			----- Note -----	957A	692046	Cap-Fuel Tank (Plastic)
697	691127	Screw (Drive Cap)			695975 Cap-End (Used Before Code Date 00040700).	957B	699985	Cap-Fuel Tank (Plastic)
715	691147	Screw (Stop Shaft)	803	695266	Housing-Starter (Used After Code Date 00040600).	966	691439	Base-Air Cleaner Primer
718	690959	Pin-Locking			----- Note -----	967	273185S	Filter-Pre-Cleaner
721	690449	Stop-Shaft			695975 Housing-Starter (Used Before Code Date 00040700).	968	498997	Cover-Air Cleaner
741	794388	Gear-Timing (Use Without Woodruff Key) (Used After Code Date 07093000).	832A	691424	Guard-Muffler (Square Lo Tone)	968A	693198	Cover-Air Cleaner Used on Type No(s). 3118.
		----- Note -----	832C	691442	Guard-Muffler (Yardman Guard)	969	690700	Screw (Blower Housing Cover)
		790345 Gear-Timing (Use Without Woodruff Key) (Used Before Code Date 07100100).	832D	499034	Guard-Muffler (Used with Super Lo Tone Muffler Tuned)	969A	691138	Screw (Blower Housing Cover)
		691830 Gear-Timing (Uses Woodruff Key)			----- Note -----	972B	699374	Tank-Fuel (Plastic)
742	93941	Retainer-E Ring	836	690664	Screw (Muffler Guard)			699387 Tank-Fuel (Plastic) Used on Type No(s). 1783.
743	691772	Gear-Drive	842	★691031	Seal-O Ring (Dipstick Tube)	975	493640	Bowl-Float
745	691648	Screw (Brake)	843	691884	Lever-Sleeve (Speed Control)	976	694395	Primer-Carburetor
						977	498261	Gasket Set-Carburetor
						990A	695951	Key Set (Touch N Mow)
						994	398067	Arrestor-Spark
						1005	691346	Fan-Flywheel
						1009	696255	Screw (Starter Motor)

★ Included in Engine Gasket Set-Ref. No.358.

● Included in Carburetor Overhaul Kit-Ref. No. 121.

◆ Included in Carburetor Gasket Set-Ref. No. 977.

⊘ Included in Valve Gasket Set-Ref. No 1095.

Illustrations cover a range of engines. Parts shown without corresponding text may not be used on your specific engine.

12V800

REF. NO.	PART NO.	DESCRIPTION	REF. NO.	PART NO.	DESCRIPTION	REF. NO.	PART NO.	DESCRIPTION
1019	494256	Kit-Label ----- Note ----- 790231 Kit-Label (Touch N Mow)	1059	692311	Kit-Screw/Washer ----- Note ----- 696293 Kit-Screw/ Washer (Touch N Mow)	1211	498144	Pulley/Spring Assembly (Spring)
1036		Label-Emissions (Available From A Briggs & Statton Authorized Dealer)	1095	498528	Gasket Set-Valve	1236	695959	Starter-Mechanical (Touch N Mow) (Do Not Service Individual Parts, Only As A Whole)
1058	277039	Operator's Manual ----- Note ----- 277101 Operator's Manual (Touch N Mow)	1119	691648	Screw (Alternator)	1319	794467	Label-Warning
			1160	690345	Screw (Interlock Switch)	1330	270962	Manual-Repair
			1210	498144	Pulley/Spring Assembly (Pulley)			

★ Included in Engine Gasket Set-Ref. No.358.

● Included in Carburetor Overhaul Kit-Ref. No. 121.

◆ Included in Carburetor Gasket Set-Ref. No. 977.

∅ Included in Valve Gasket Set-Ref. No 1095.

Illustrations cover a range of engines. Parts shown without corresponding text may not be used on your specific engine.

0875-12

Assemblies include all parts shown in frames.

12/05/2007

Free Manuals Download Website

<http://myh66.com>

<http://usermanuals.us>

<http://www.somanuals.com>

<http://www.4manuals.cc>

<http://www.manual-lib.com>

<http://www.404manual.com>

<http://www.luxmanual.com>

<http://aubethermostatmanual.com>

Golf course search by state

<http://golfingnear.com>

Email search by domain

<http://emailbydomain.com>

Auto manuals search

<http://auto.somanuals.com>

TV manuals search

<http://tv.somanuals.com>